

DEWALT®

www.DEWALT.com

DWE249

DWE349

English (***original instructions***)

4

Українська (*переклад з оригінальної інструкції*)

10

Fig. A

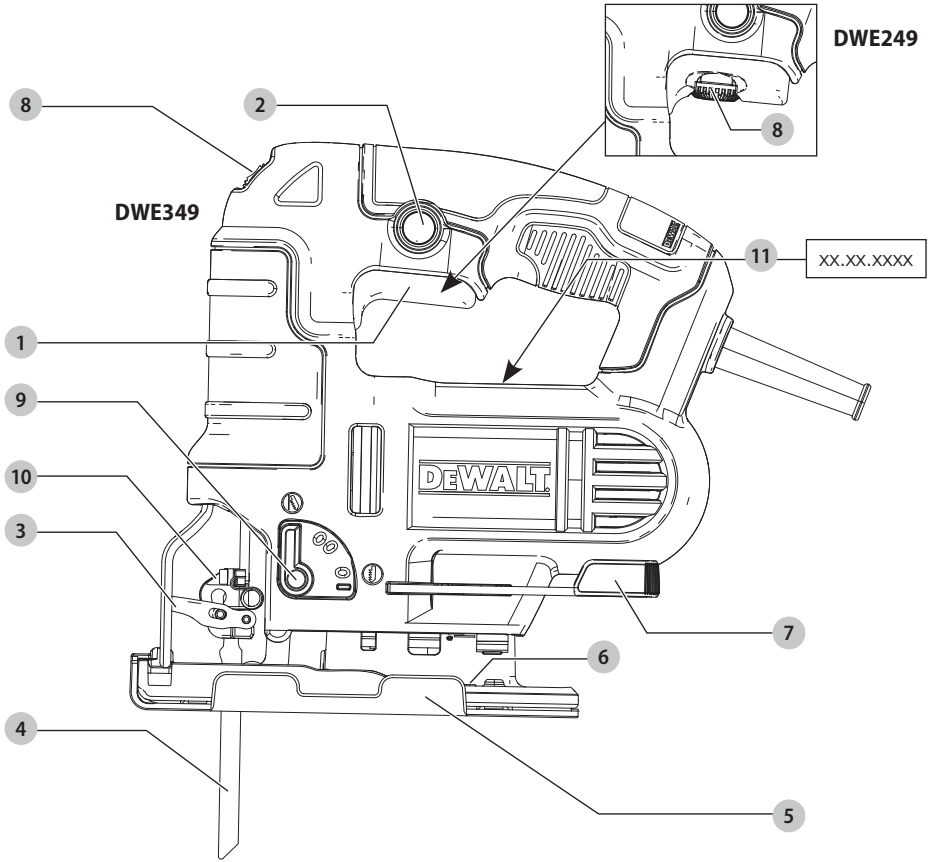


Fig. B

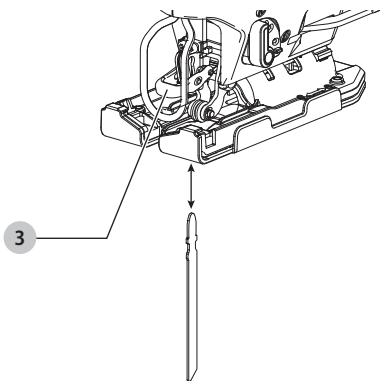


Fig. C

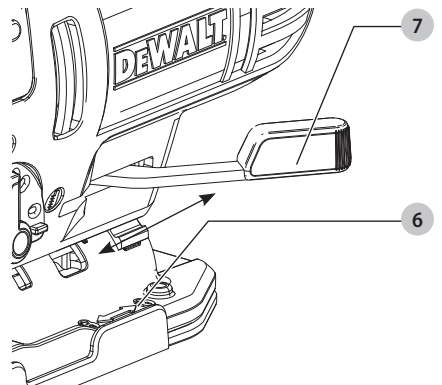


Fig. D

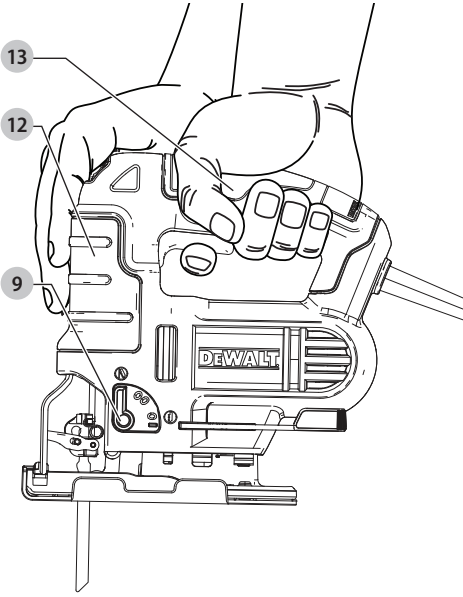


Fig. E

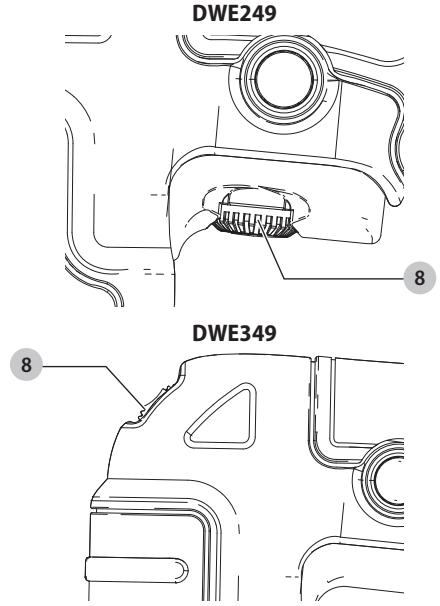


Fig. F

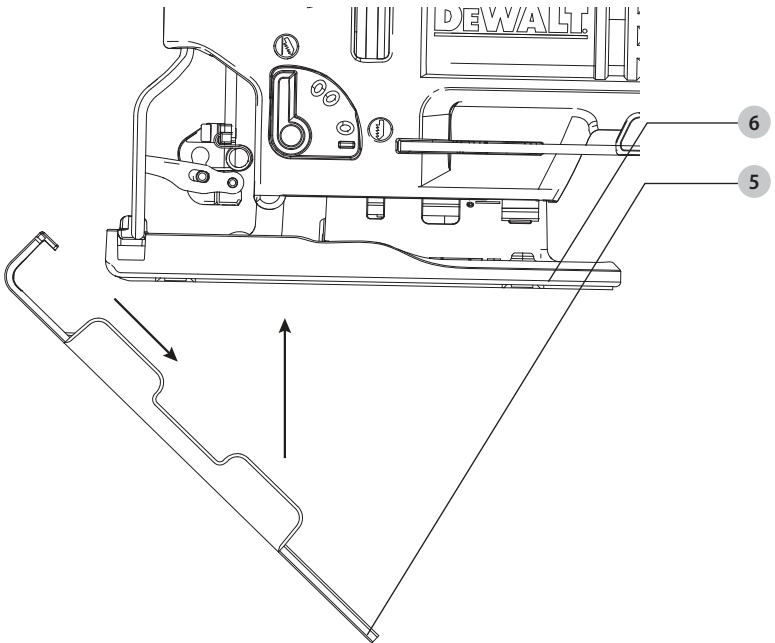


Fig. G

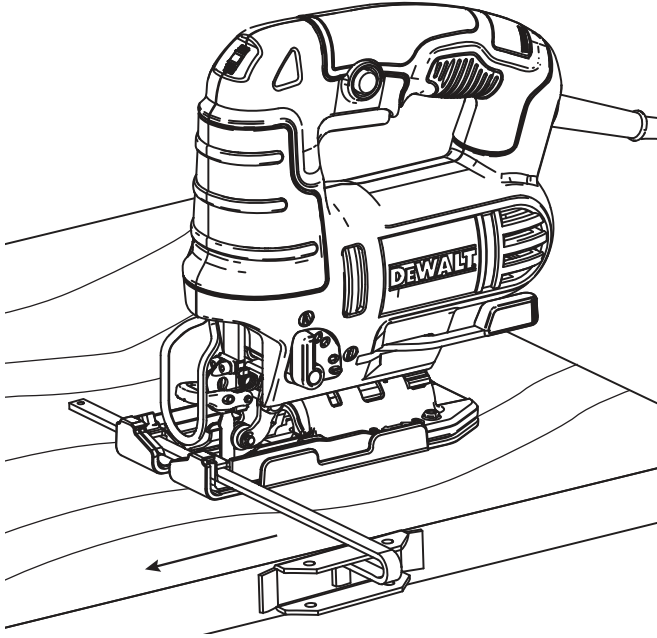
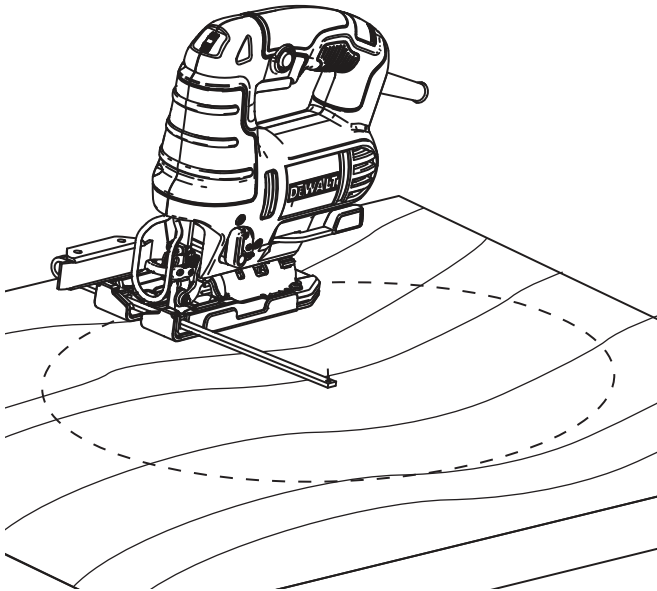


Fig. H



JIG SAW

DWE249, DWE349

Congratulations!

You have chosen a DEWALT tool. Years of experience, thorough product development and innovation make DEWALT one of the most reliable partners for professional power tool users.

Technical Data

		DWE249	DWE349
Voltage	V _{AC}	230	230
Type		1	1
Power input	W	550	650
Frequency	Hz	50	50
No-load speed	/min	500–3200	500–3200
Stroke length	mm	20	20
Bevel angle adjustment	l/r	0–45°	0–45°
Weight	kg	2.4	2.4
Cutting depth in:			
wood	mm	80	85
aluminum	mm	20	20
steel (non-alloy)	mm	10	10
Noise values and vibration values (tri-ax vector sum) according to EN62841-2-11:			
L _{PA} (emission sound pressure level)	dB(A)	89	89
L _{WA} (sound power level)	dB(A)	100	100
K (uncertainty for the given sound level)	dB(A)	5	5
Cutting boards			
Vibration emission value a _{h,B} =	m/s ²	5.6	5.6
Uncertainty K =	m/s ²	1.5	1.5
Cutting sheet metal			
Vibration emission value a _{h,M} =	m/s ²	8.2	8.2
Uncertainty K =	m/s ²	1.5	1.5

The vibration and/or noise emission level given in this information sheet has been measured in accordance with a standardised test given in EN62841 and may be used to compare one tool with another. It may be used for a preliminary assessment of exposure.

WARNING: The declared vibration and/or noise emission level represents the main applications of the tool. However if the tool is used for different applications, with different accessories or poorly maintained, the vibration and/or noise emission may differ. This may significantly increase the exposure level over the total working period.

An estimation of the level of exposure to vibration and/or noise should also take into account the times when the tool is switched off or when it is running but not actually doing the job. This may significantly reduce the exposure level over the total working period.

Identify additional safety measures to protect the operator from the effects of vibration and/or noise such as: maintain the tool and the accessories, keep the hands warm (relevant for vibration), organisation of work patterns.

EC-Declaration of Conformity

Machinery Directive



Jigsaw

DWE249, DWE349

DEWALT declares that these products described under

Technical Data are in compliance with:

2006/42/EC, EN62841-1:2015, EN62841-2-11: 2016.

These products also comply with Directive 2014/30/EU and 2011/65/EU. For more information, please contact DEWALT at the following address or refer to the back of the manual.

The undersigned is responsible for compilation of the technical file and makes this declaration on behalf of DEWALT.

Markus Rompel

Vice-President Engineering, PTE-Europe
DEWALT, Richard-Klinger-Straße 11,
D-65510, Idstein, Germany
01.04.2020



WARNING: To reduce the risk of injury, read the instruction manual.

Definitions: Safety Guidelines

The definitions below describe the level of severity for each signal word. Please read the manual and pay attention to these symbols.



DANGER: Indicates an imminently hazardous situation which, if not avoided, **will** result in **death or serious injury**.



WARNING: Indicates a potentially hazardous situation which, if not avoided, **could** result in **death or serious injury**.



CAUTION: Indicates a potentially hazardous situation which, if not avoided, **may** result in **minor or moderate injury**.

NOTICE: Indicates a practice **not related to personal injury** which, if not avoided, **may** result in **property damage**.



Denotes risk of electric shock.



Denotes risk of fire.

GENERAL POWER TOOL SAFETY WARNINGS



WARNING: Read all safety warnings, instructions, illustrations and specifications provided with this power tool. Failure to follow all instructions listed below may result in electric shock, fire and/or serious injury.

SAVE ALL WARNINGS AND INSTRUCTIONS FOR FUTURE REFERENCE

The term "power tool" in the warnings refers to your mains-operated (corded) power tool or battery-operated (cordless) power tool.

1) Work Area Safety

- Keep work area clean and well lit.** Cluttered or dark areas invite accidents.
- Do not operate power tools in explosive atmospheres, such as in the presence of flammable liquids, gases or dust.** Power tools create sparks which may ignite the dust or fumes.
- Keep children and bystanders away while operating a power tool.** Distractions can cause you to lose control.

2) Electrical Safety

- Power tool plugs must match the outlet. Never modify the plug in any way. Do not use any adapter plugs with earthed (grounded) power tools.** Unmodified plugs and matching outlets will reduce risk of electric shock.
- Avoid body contact with earthed or grounded surfaces, such as pipes, radiators, ranges and refrigerators.** There is an increased risk of electric shock if your body is earthed or grounded.
- Do not expose power tools to rain or wet conditions.** Water entering a power tool will increase the risk of electric shock.
- Do not abuse the cord. Never use the cord for carrying, pulling or unplugging the power tool. Keep cord away from heat, oil, sharp edges or moving parts.** Damaged or entangled cords increase the risk of electric shock.
- When operating a power tool outdoors, use an extension cord suitable for outdoor use.** Use of a cord suitable for outdoor use reduces the risk of electric shock.
- If operating a power tool in a damp location is unavoidable, use a residual current device (RCD) protected supply.** Use of an RCD reduces the risk of electric shock.

3) Personal Safety

- Stay alert, watch what you are doing and use common sense when operating a power tool. Do not use a power tool while you are tired or under the influence of drugs, alcohol or medication.** A moment of inattention while operating power tools may result in serious personal injury.
- Use personal protective equipment. Always wear eye protection.** Protective equipment such as a dust mask, non-skid safety shoes, hard hat or hearing protection used for appropriate conditions will reduce personal injuries.

- Prevent unintentional starting. Ensure the switch is in the off-position before connecting to power source and/or battery pack, picking up or carrying the tool.** Carrying power tools with your finger on the switch or energising power tools that have the switch on invites accidents.
- Remove any adjusting key or wrench before turning the power tool on.** A wrench or a key left attached to a rotating part of the power tool may result in personal injury.
- Do not overreach. Keep proper footing and balance at all times.** This enables better control of the power tool in unexpected situations.
- Dress properly. Do not wear loose clothing or jewellery. Keep your hair and clothing away from moving parts.** Loose clothes, jewellery or long hair can be caught in moving parts.
- If devices are provided for the connection of dust extraction and collection facilities, ensure these are connected and properly used.** Use of dust collection can reduce dust-related hazards.
- Do not let familiarity gained from frequent use of tools allow you to become complacent and ignore tool safety principles.** A careless action can cause severe injury within a fraction of a second.

4) Power Tool Use and Care

- Do not force the power tool. Use the correct power tool for your application.** The correct power tool will do the job better and safer at the rate for which it was designed.
- Do not use the power tool if the switch does not turn it on and off.** Any power tool that cannot be controlled with the switch is dangerous and must be repaired.
- Disconnect the plug from the power source and/or remove the battery pack, if detachable, from the power tool before making any adjustments, changing accessories, or storing power tools.** Such preventive safety measures reduce the risk of starting the power tool accidentally.
- Store idle power tools out of the reach of children and do not allow persons unfamiliar with the power tool or these instructions to operate the power tool.** Power tools are dangerous in the hands of untrained users.
- Maintain power tools and accessories. Check for misalignment or binding of moving parts, breakage of parts and any other condition that may affect the power tool's operation. If damaged, have the power tool repaired before use.** Many accidents are caused by poorly maintained power tools.
- Keep cutting tools sharp and clean.** Properly maintained cutting tools with sharp cutting edges are less likely to bind and are easier to control.
- Use the power tool, accessories and tool bits etc. in accordance with these instructions, taking into account the working conditions and the work to be performed.** Use of the power tool for operations different from those intended could result in a hazardous situation.

- h) **Keep handles and grasping surfaces dry, clean and free from oil and grease.** Slippery handles and grasping surfaces do not allow for safe handling and control of the tool in unexpected situations.

5) Service

- a) **Have your power tool serviced by a qualified repair person using only identical replacement parts.** This will ensure that the safety of the power tool is maintained.

Additional Safety Warnings for Jigsaws

- **Hold the power tool by insulated gripping surfaces, when performing an operation where the cutting accessory may contact hidden wiring or its own cord.** Cutting accessory contacting a "live" wire may make exposed metal parts of the power tool "live" and could give the operator an electric shock.
- **Use clamps or another practical way to secure and support the workpiece to a stable platform.** Holding the workpiece by hand or against your body leaves it unstable and may lead to loss of control.
- **Keep hands away from cutting area. Never reach underneath the workpiece for any reason.** Do not insert fingers or thumb into the vicinity of the reciprocating blade and blade clamp. Do not stabilize the saw by gripping the shoe.
- **Keep blades sharp.** Dull or damaged blades may cause the saw to swerve or stall under pressure. Always use the appropriate type of saw blade for the workpiece material and type of cut.
- **When cutting pipe or conduit, make sure that they are free from water, electrical wiring, etc.**
- **Do not touch the workpiece or the blade immediately after operating the tool.** They can become very hot.
- **Be aware of hidden hazards, before cutting into walls, floors or ceilings, check for the location of wiring and pipes.**
- **The blade will continue to move after releasing the switch.** Always switch the tool off and wait for the saw blade to come to a complete standstill before putting the tool down.

Electrical Safety

The electric motor has been designed for one voltage only. Always check that the power supply corresponds to the voltage on the rating plate.



Your DEWALT tool is double insulated in accordance with EN62841; therefore no earth wire is required.

If the supply cord is damaged, it must be replaced only by DEWALT or an authorised service organisation.

Mains Plug Replacement (U.K. & Ireland Only)

If a new mains plug needs to be fitted:

- Safely dispose of the old plug.
- Connect the brown lead to the live terminal in the plug.
- Connect the blue lead to the neutral terminal.



WARNING: No connection is to be made to the earth terminal.

Follow the fitting instructions supplied with good quality plugs. Recommended fuse: 13 A.

Using an Extension Cable

If an extension cable is required, use an approved 3-core extension cable suitable for the power input of this tool (see **Technical Data**). The minimum conductor size is 1.5 mm²; the maximum length is 30 m.

When using a cable reel, always unwind the cable completely.

Package Contents

The package contains:

- 1 Jigsaw
 - 1 Jig saw blade
 - 1 Anti-scratch shoe cover
 - 1 Instruction manual
- Check for damage to the tool, parts or accessories which may have occurred during transport.
 - Take the time to thoroughly read and understand this manual prior to operation.

Markings on Tool

The following pictograms are shown on the tool:



Read instruction manual before use.



Wear ear protection.



Wear eye protection.

Date Code Position (Fig. A)

The date code **11**, which also includes the year of manufacture, is printed into the housing.

Example:

2020 XX XX

Year of Manufacture

Description (Fig. A)



WARNING: Never modify the power tool or any part of it. Damage or personal injury could result.

- 1 On/off switch
- 2 Lock-on button
- 3 Saw blade locking lever
- 4 Saw blade
- 5 Shoe sleeve
- 6 Shoe
- 7 Shoe beveling lever
- 8 Speed control dial
- 9 Pendulum stroke selector
- 10 Blade holder

Intended Use

Your jig saw has been designed for professional sawing applications. Your DEWALT jig saw, DWE249 or DWE349, has been designed for sawing wood, plastics, metal, rubber and ceramic plates


DO NOT use under wet conditions or in the presence of flammable liquids or gases.

These jigsaws are professional power tools.


DO NOT let children come into contact with the tool. Supervision is required when inexperienced operators use this tool.


- **Young children and the infirm.** This appliance is not intended for use by young children or infirm persons without supervision.
- This product is not intended for use by persons (including children) suffering from diminished physical, sensory or mental abilities; lack of experience, knowledge or skills unless they are supervised by a person responsible for their safety. Children should never be left alone with this product.

ASSEMBLY AND ADJUSTMENTS

 **WARNING:** To reduce the risk of serious personal injury, turn tool off and disconnect tool from power source before making any adjustments or removing/installing attachments or accessories. An accidental start-up can cause injury.


Blade Installation (Fig. B)

 **WARNING:** When mounting the saw blade wear protective gloves. danger of injury when touching the saw blade.

 **WARNING:** Use only T type blades. Using blades other than T type blades cause insufficient tightening of the blade, resulting in a serious personal injury.

1. Push the saw blade locking lever **3** upward.
2. With teeth facing forward, insert the shank of the saw blade into the blade holder as far as it will go.
3. Release the lever.
4. Check to ensure blade is secure before cutting. A loose saw blade can fall out and lead to injury.

Adjusting the Shoe for Bevel Cuts (Fig. C)

 **WARNING:** Never use the tool when the shoe is loose or removed. The shoe plate can be set to a left or right bevel angle of up to 45°.

To Set the Bevel Angle

1. Pull the shoe beveling lever **7** out and away from the saw to unlock the shoe **6** as shown in Figure C.
2. Slide the shoe forward to release it from the 0° positive stop position.
3. The shoe can be beveled to the left or to the right and has detents at 15°, 30° and 45°.
4. Set the shoe to the desired bevel angle. Use a protractor to verify angle accuracy.

5. Push the shoe beveling lever back towards the saw to lock the shoe.

To Reset the Shoe for Straight Cuts



1. Pull the shoe beveling lever **7** out and away from the saw to unlock the shoe **6** as shown in Figure C.
2. Rotate shoe to an angle of approximately 0° and then pull shoe backwards to engage the 0° positive stop.
3. Push the shoe beveling lever back towards the saw to lock the shoe.

OPERATION

Instructions for Use

-  **WARNING:** Always observe the safety instructions and applicable regulations.
-  **WARNING:** To reduce the risk of serious personal injury, turn tool off and disconnect tool from power source before making any adjustments or removing/installing attachments or accessories. An accidental start-up can cause injury.
-  **WARNING:**
 - Make sure your workpiece is well secured. Remove nails, screws and other fasteners that may damage the blade.
 - Check that there is sufficient space for the blade underneath the workpiece.
 - Do not cut materials that exceed the maximum cutting depth of the blade.
 - Use sharp saw blades only. Damaged or bent saw blades must be removed immediately.
 - Do not use the tool for sawing pipes or tubes.
 - Never run your tool without a saw blade.
 - For optimal results, move the tool smoothly and constantly over the workpiece. Do not exert lateral pressure on the saw blade. Keep the shoe flat on the workpiece and lead the cord away in line with the tool. When sawing curves, circles or other round shapes, push the tool gently forward.
 - Wait until the tool has come to a standstill before removing the saw blade from the workpiece. After sawing the blade may be very hot. Do not touch.

Proper Hand Position (Fig. D)

-  **WARNING:** To reduce the risk of serious personal injury, ALWAYS use proper hand position as shown.
-  **WARNING:** To reduce the risk of serious personal injury, ALWAYS hold securely in anticipation of a sudden reaction.

Proper hand position requires one hand on the front handle **12**, with the other hand on the main handle **13**.

Switching On and Off (Fig. A)

- To switch the tool on, squeeze the trigger switch **1**.

- For continuous operation, squeeze the trigger switch then depress the lock-on button 2. Once lock-on button is depressed, release the trigger switch.
- To switch the tool off, release the trigger switch. To switch the tool off, when in continuous operation, squeeze the trigger and the lock will disengage.

Variable Speed Control (Fig. A, E)



WARNING: If the tool is operated continuously at low speeds for a long time, the motor will get overload and heated up.

A speed control dial 8 is located on the trigger for the DWE249 and on the top of the saw for the DWE349. The speed increases as the dial is turned from a low speed setting of 1 to a high speed setting of 6.

Refer to the table to select the proper speed for the workpiece to be cut. However, the appropriate speed may differ with the type or thickness of the workpiece. In general, higher speeds will allow you to cut workpieces faster but the service life of the blade will be reduced.

Material	Variable Speed Control Setting
Wood	5-6
Stainless steel	3-4
Mild steel	3-6
Aluminum	3-6
Plastics	1-4

Cutting Action – Orbital or Straight (Fig. A)



WARNING: Check that the tool is not locked ON before connecting it to a power supply. If the trigger switch is locked on when the tool is connected to the power supply, it will start immediately. Damage to your tool or personal injury may result.

This jig saw is equipped with four cutting actions, three orbital and one straight. Orbital action has a more aggressive blade motion and is designed for cutting in soft materials like wood or plastic. Orbital action provides a faster cut, but with a less smooth cut across the material. In orbital action, the blade moves forward during the cutting stroke in addition to the up and down motion.

NOTE: Metal or hardwoods should never be cut in orbital action.

Setting the Pendulum Stroke

1. Move the pendulum stroke selector 9 between the four cutting positions: 0, 1, 2, and 3.
2. Position 0 is straight cutting.
3. Positions 1, 2, and 3 are orbital cutting.

The aggressiveness of the cut increases as the lever is adjusted from one to three, with three being the most aggressive cut.

Removable Shoe Sleeve (Fig. F)

The non-marring shoe sleeve 5 should be used when cutting surfaces that scratch easily, such as laminate, veneer, or paint. It can also be used to protect the shoe surface during transportation and storage.

To attach shoe sleeve, place the front of the shoe 6 into the front of the shoe sleeve and lower the jig saw as shown in Figure F. The shoe sleeve will click securely onto the rear of the shoe.

To remove shoe sleeve, grasp the sleeve from the bottom at the two rear tabs and pull down and away from the shoe.

Hints for Optimum Use

Sawing laminates

As the saw blade cuts on the upward stroke, splintering may occur on the surface closest to the shoe plate.

Use a fine-tooth saw blade.

Saw from the back surface of the workpiece.

To minimize splintering, clamp a piece of scrap wood or hardboard to both sides of the workpiece and saw through this sandwich.

Sawing metal

- Be aware that sawing metal takes much more time than sawing wood.
- Use a saw blade suitable for sawing metal.
- When cutting thin metal, clamp a piece of scrap wood to the back surface of the workpiece and cut through this sandwich.
- Spread a film of oil along the intended line of cut for easier operation and longer blade life. For cutting aluminum, kerosene is preferred.

Rip/Circle Cutting (Fig. G, H)

Ripping and circle cutting without a pencil line is easily done with the rip fence / circle guide (not included; available at extra cost).

Using the screw supplied with the accessory guide, position and thread the screw into the shoe to clamp the fence securely.

When ripping, slide the rip fence under the screw from either side of the saw. Set the cross bar at desired distance from blade and tighten screw. For ripping, the cross bar should be down and against the straight edge of the workpiece.

When circle cutting, adjust rip fence so that distance from blade to hole in fence arm is at the desired radius and tighten screw. Place saw so that hole in fence arm is over center of circle to be cut (drill hole for blade or cut inward from edge of material to get blade into position). When saw is properly positioned, drive a small nail through hole in fence arm. Using rip fence as a pivot arm, begin cutting circle. For circle cutting, the cross bar should be up.

MAINTENANCE

Your power tool has been designed to operate over a long period of time with a minimum of maintenance. Continuous satisfactory operation depends upon proper tool care and regular cleaning.



WARNING: To reduce the risk of serious personal injury, turn tool off and disconnect tool from power source before making any adjustments or removing/installing attachments or accessories. An accidental start-up can cause injury.



Lubrication

Your power tool requires no additional lubrication.



Cleaning



WARNING: Blow dirt and dust out of the main housing with dry air as often as dirt is seen collecting in and around the air vents. Wear approved eye protection and approved dust mask when performing this procedure.



WARNING: Never use solvents or other harsh chemicals for cleaning the non-metallic parts of the tool. These chemicals may weaken the materials used in these parts. Use a cloth dampened only with water and mild soap. Never let any liquid get inside the tool; never immerse any part of the tool into a liquid.

Optional Accessories



WARNING: Since accessories, other than those offered by DeWALT, have not been tested with this product, use of such accessories with this tool could be hazardous. To reduce the risk of injury, only DeWALT recommended accessories should be used with this product.

Consult your dealer for further information on the appropriate accessories.

Protecting the Environment



Separate collection. Products marked with this symbol must not be disposed of with normal household waste.



Products contain materials that can be recovered or recycled reducing the demand for raw materials. Please recycle electrical products according to local provisions. Further information is available at www.2helpU.com.

ЛОБЗИКОВА ПИЛА

DWE249, DWE349

Вітаємо вас!

Ви обрали інструмент виробництва компанії DEWALT. Ретельна розробка продукції, багаторічний досвід фірми у виробництві інструментів, різні вдосконалення, все це зробило інструменти DEWALT є одними із найнадійніших помічників для тих, хто використовує електричні інструменти у своїй професії.

Технічні дані

		DWE249	DWE349
Напруга	$V_{\text{зм. струму}}$	230	230
Тип		1	1
Вхідна потужність	Вт	550	650
Частота	Гц	50	50
Швидкість без навантаження	об/хв	500-3200	500-3200
Довжина ходу	мм	20	20
Регулювання кута нахилу	l/r	0-45°	0-45°
Маса	кг	2,4	2,4
Глибина різання в:			
деревині	мм	80	85
алюмінії	мм	20	20
Сталь (нелегована)	мм	10	10

Значення рівня шуму та вібрації (триаксильна векторна сума) відповідно до стандарту EN62841-2-11:

L_{pA} (рівень тиску звукового випромінювання)	дБ(A)	89	89
L_{WA} (рівень звукової потужності)	дБ(A)	100	100
K (похибка для даного рівня звукового тиску)	дБ(A)	5	5

Різання дошок			
Значення емісії вібрації $a_{h,v}$	m/s^2	5,6	5,6
Похибка K	m/s^2	1,5	1,5
Різання листового металу			
Значення вібрації $a_{h,m}$	m/s^2	8,2	8,2
Похибка K	m/s^2	1,5	1,5

Значення вібрації та/або шуму, наведене в цьому документі, було виміряне згідно зі стандартизованим тестом, викладеним в EN62841 та може використовуватись для порівняння інструментів. Це значення вібрації можна також використовувати для попередньої оцінки впливу вібрації.

⚠ ПОПЕРЕДЖЕННЯ: Заявлене значення вібрації та/або шуму відповідає вимогам цільового використання інструмента. Однак якщо інструмент використовується для виконання інших завдань, або з іншими витратними матеріалами/насадками, або не обслуговується належним чином, значення

вібрації та/або шуму може відхилитися. Це може значно збільшити рівень впливу протягом усього періоду роботи.

Оцінка рівня впливу вібрації та/або шуму має враховувати час, протягом якого інструмент є вимкненим, а також час, протягом якого він є ввімкненим, але не використовується. Це може значно зменшити рівень впливу протягом усього періоду роботи.

Визначення додаткових заходів безпеки для захисту оператора від впливу вібрації та/або шуму: технічне обслуговування інструмента та приладдя, утримання рук у теплі (має значення для вібрації), організація режиму роботи.

Декларація про відповідність ЄС ДИРЕКТИВА ДЛЯ МЕХАНІЧНОГО ОБЛАДНАННЯ



Лобзикова пила DWE249, DWE349

DEWALT заявляє, що описані в розділі **Технічні дані** пристрої відповідають стандартам:

2006/42/EC, EN62841-1:2015, EN62841-2-11: 2016.

Ці продукти також відповідають вимогам Директив 2014/30/EU та 2011/65/EU. Для отримання додаткової інформації звертайтеся до компанії DEWALT за адресою, зазначеною нижче або наприкінці цього керівництва.

Нижчепідписаний несе відповідальність за упорядкування файлу технічних характеристик та робить цю заяву від імені компанії DEWALT..

Маркус Ромпель

Віце-президент з машинобудування, PTE-Europe

DEWALT, Richard-Klinger-Straße 11,

D-65510, Ідштайн, Німеччина


01.04.2020





ПОПЕРЕДЖЕННЯ: Уважно прочитайте керівництво з експлуатації для зниження ризику отримання травм.

Позначення: інструкції з техніки безпеки

Умовні позначення, наведені нижче, описують рівень важливості кожної попереджувальної вказівки. Прочитайте керівництво з експлуатації та зверніть увагу на символи, наведені нижче.

 **НЕБЕЗПЕЧНО:** Указує на безпосередню загрозу, яка, якщо її не уникнути, призведе до смерті або серйозної травми.

 **ПОПЕРЕДЖЕННЯ:** Вказує на потенційну загрозу, ігнорування якої може призвести до смерті або серйозної травми.


 **УВАГА:** Вказує на потенційну загрозу, ігнорування якої може призвести до травми легкої або середньої тяжкості.

ПРИМІТКА: Вказує на ситуацію, не пов'язану з особою травмою, ігнорування цієї ситуації може призвести до пошкодження майна.

 Вказує на ризик ураження електричним струмом.

 Вказує на ризик виникнення пожежі.

ЗАГАЛЬНІ ПРАВИЛА БЕЗПЕКИ ПРИ ЕКСПЛУАТАЦІЇ ЕЛЕКТРИЧНОГО ІНСТРУМЕНТА

 **ПОПЕРЕДЖЕННЯ:** Ознайомтеся з усіма попередженнями, інструкціями з техніки безпеки, зображеннями та специфікаціями, які поставляються з даним електричним інструментом. Невиконання нижченаведених інструкцій може призвести до ураження електричним струмом, пожежі та/або серйозних тілесних ушкоджень.

ЗБЕРІГАЙТЕ ВСІ ПОПЕРЕДЖЕННЯ ТА ІНСТРУКЦІЇ ДЛЯ ПОДАЛЬШОГО ВИКОРИСТАННЯ

Термін «електричний інструмент» в усіх попередженнях стосується використовуваних вами інструментів, що живляться від мережі енергопостачання (з електричним кабелем) або від акумуляторів (без кабелю).

1) Безпека робочої зони

- Робоча зона завжди має бути чистою та добре освітленою.** Захаращена або темна робоча зона призводить до нещасних випадків.
- Не використовуйте електричні інструменти у вибухонебезпечній атмосфері, наприклад поруч із вогненебезпечними рідинами, газами та пилом.** Електричні інструменти створюють іскри, що можуть запалити пил або пару.
- Тримайте дітей та сторонніх подалі під час використання інструмента.** Відвернення уваги може призвести до втрати контролю.

2) Електрична безпека

- Вилка електричного інструмента повинна відповідати розетці. Ніколи жодним чином не змінюйте вилку. Не використовуйте адаптери з замкнутими на землю (заземленими) електричними інструментами.** Немодифіковані вилки та розетки, що підходять до них, зменшують ризик ураження електричним струмом.

- Уникайте контакту тіла з заземленими поверхнями, такими як труби, радіатори, плити та холодильники.** Якщо ваше тіло заземлене, збільшується ризик ураження електричним струмом.
- Не залишайте електричні інструменти під дощем або в умовах підвищеної вологості.** Вода, що потрапляє в електричний інструмент, підвищує ризик ураження електричним струмом.
- Не використовуйте кабелів живлення не за призначенням. Ніколи не переносьте, не тягніть та не відключайте електричний інструмент від розетки живлення за допомогою шнура. Тримайте шнур подалі від високих температур, мастила, гострих предметів та рухомих деталей.** Пошкоджені або перекручені шнури підвищують ризик ураження електричним струмом.
- При використанні електричного інструмента на вулиці, використовуйте подовжувальний шнур, що підходить для використання на вулиці.** Використання шнура, що призначений для використання поза приміщенням, знижує ризик ураження електричним струмом.
- Якщо неможливо уникнути використання електричного інструмента в умовах підвищеної вологості, використовуйте живлення, захищене пристроєм залишкового струму (RCD).** Використання RCD знижує ризик ураження електричним струмом.

3) Особиста безпека

- Будьте в стані готовності, дивіться, що ви робите, та будьте розсудливі, працюючи з електричним інструментом. Не використовуйте електричний інструмент, коли ви втомлені або знаходитесь під впливом наркотичних речовин, алкоголю або ліків.** Втрата уваги під час роботи з електричним інструментами може призвести до серйозних травм.
- Використовуйте особисті засоби безпеки. Завжди використовуйте засоби захисту очей.** Засоби безпеки, такі як протипилова маска, неслизькі безпечні черевки, захисний шолом та засоби захисту слухового апарату при використанні для відповідних умов зменшують імовірність особистих травм.
- Уникайте випадкового запуску. Переконайтесь в тому, що вимикач знаходиться в позиції Вимк., перш ніж підключати інструмент до джерела живлення та/або акумулятора, переміщувати або переносити.** Може статися нещасний випадок, коли ви переносите інструмент, тримаючи палець на вимикачі, або підключаєте живлення до вимикача в позиції Увімк.
- Зніміть усі ключі для регулювання або гайкові ключі, перш ніж вмикати електричний інструмент.** Гайковий ключ, що залишився прикріпленим до якоїсь деталі електричного

пристрою, що обертається, може призвести до травм.

- e) **Не прикладайте надмірного зусилля. Завжди утримуйте правильну постановку ніг і рівновагу.** Це дає вам змогу краще контролювати інструмент в неочікуваних ситуаціях.
- f) **Одягайтеся відповідним чином. Не вдягайте вільний одяг або прикраси. Тримайте ваше волосся та одяг подалі від рухомих деталей.** Вільний одяг, прикраси або довге волосся можуть зачепитися за рухомі деталі.
- g) **Якщо передбачені пристрої для підключення до засобів виділення та збирання пилу, переконайтеся, що вони правильно підключені та використовуються.** Використання таких пристроїв зменшує ризик виникнення небезпечних ситуацій, що пов'язані з потраплянням пилу.
- h) **Навіть якщо ви добре знаєте інструмент та часто його використовуйте, не розслабляйтесь та не забувайте про принципи техніки безпеки.** Необережні дії можуть за долю секунди призвести до важких тілесних ушкоджень.

4) Використання електричного інструмента та догляд за ним

- a) **Не прикладайте надмірних зусиль під час роботи з інструментом. Використовуйте електричний інструмент, який відповідає завданню, що виконується.** Правильно обраний інструмент виконає завдання краще та безпечніше за умов, для яких він був розроблений.
- b) **Не використовуйте інструмент, якщо його неможливо ввімкнути та вимкнути за допомогою вимикача.** Будь-який електричний інструмент, яким неможливо керувати за допомогою вимикача, є небезпечним і має бути відремонтований.
- c) **Якщо вилка змінна, відключіть її від джерела живлення та/або вийміть акумулятор, перш ніж виконувати будь-які налаштування, змінювати додаткове обладнання або зберігати інструмент.** Ці профілактичні заходи зменшують ризик випадкового запуску електричного інструмента.
- d) **Зберігайте вимкнені електричні інструменти в недоступному для дітей місці та не дозволяйте особам, що не знайомі з електричним інструментом або цими інструкціями, використовувати електричний інструмент.** Електричні інструменти є небезпечними, якщо вони використовуються некваліфікованими користувачами.
- e) **Технічне обслуговування електричних інструментів та приладдя. Перевіряйте неспіввідповідність, заїдання рухомих деталей, наявність пошкоджених частин та інших факторів, які можуть впливати на роботу електричного інструмента. Якщо є**

пошкодження, відремонтуйте електричний інструмент перед використанням. Нещасні випадки часто є результатом того, що інструмент не пройшов відповідного технічного обслуговування.

- f) **Різальні інструменти мають бути гострими та чистими.** Правильно доглянуті різальні інструменти з гострими різальними кромками мають меншу імовірність заїдання, та ними легше керувати.
- g) **Використовуйте електричний інструмент, додаткові інструменти та деталі інструменту тощо у відповідності до цих інструкцій та відповідно до даного типу електричних інструментів, зважаючи на умови використання та роботу, яка має бути виконана.** Використання електричних інструментів не за призначенням може призвести до виникнення небезпечних ситуацій.
- h) **Всі ручки та поверхні для тримання інструмента мають бути сухими, без залишків мастила.** Слизькі ручки та поверхні для тримання не дозволяють безпечно працювати та контролювати інструмент у неочікуваних ситуаціях.

5) Обслуговування

- a) **Надавайте ваш електричний інструмент для обслуговування кваліфікованим спеціалістом з ремонту та використовуйте тільки ідентичні замініні деталі.** Це забезпечить безпеку електричного пристрою.

Додаткові попередження з техніки безпеки для лобзикових пил

- **Тримайте електричний інструмент за ізольовану поверхню для тримання під час виконання операцій, коли різальне приладдя може торкнутися схованої проводки or its own cord.** У разі контакту різального приладдя з дротом під напругою може з'явитися напруга в металевих деталях інструмента, що може призвести до ураження оператора електричним струмом.
- **Використовуйте затискач або інший спосіб закріплення деталі, що оброблюється, на стабільній платформі.** Утримування заготовки в руці та притискання її до тіла робить її нестабільною та може призвести до втрати контролю.
- **Тримайте руки подалі від ріжучої поверхні. Ніколи не підставляйте руки під заготовку.** Не підносьте пальці до пильного полотна із зворотно-поступальним рухом та до фіксатора пильного полотна. Не намагайтесь зробити пилу більш стійкою, тримаючись за опорну пластину.
- **Ножи повинні бути гострими.** Затуплені або пошкоджені пильні полотна спричиняють відхилення пили від прямої лінії та заїдання під навантаженням.

Завжди використовуйте відповідні пильні полотна в залежності від матеріалу заготовки та типу розрізу.

- **Під час розпилювання труб або трубопроводів переконайтесь, що в них немає води, електричних кабелів, тощо.**
- **Не торкайтесь заготовки та пильного полотна відразу після використання інструмента.** Вони можуть бути дуже гарячими.
- **Перед розпилюванням стін, підлоги та стелі пам'ятайте про приховану небезпеку, перевірте розташування кабелів та труб.**
- **Пильне полотно продовжує рухатись після відпускання перемикача.** Перш ніж покласти інструмент, необхідно вимкнути його та зачекати, щоб пильне полотно повністю зупинилось.

Електрична безпека

Електричний двигун розроблений для роботи лише з одним значенням напруги. Завжди перевіряйте відповідність джерела живлення напрузі, яка вказана на табличці з паспортними даними.



Ваш DEWALT зарядний пристрій має подвійну ізоляцію відповідно до EN62841 тому заземлення не є необхідним.

Якщо кабель живлення пошкоджений, тільки компанія DEWALT або уповноважена сервісна організація може виконувати його заміну.

Використання електричного подовжувача

Якщо необхідний подовжувач, використовуйте рекомендований 3-жильний подовжувачий шнур, що підходить для споживаної потужності інструменту (див. **Технічні дані**). Мінімальний розмір провідника становить 1,5 мм²; максимальна довжина — 30 м.

При використанні кабельного барабану завжди витягуйте весь кабель.

Комплект поставки

До комплекту входить:

- 1 Лобзикова пила
 - 1 Пильне полотно пили
 - 1 Стійка до подряпин накладка на опорну пластину
 - 1 Посібник з експлуатації
- *Перевірте інструмент, деталі та приладдя на пошкодження, що могли виникнути під час транспортування.*
 - *Перед використанням уважно прочитайте та повністю зрозумійте це керівництво.*

Маркування інструмента

На інструменті є наступні піктограми:



Прочитайте інструкції цього керівництва перед використанням.



Використовуйте засоби захисту органів слуху.



Використовуйте засоби захисту очей.

Розташування коду дати (Рис. [Fig.] A)

Код дати **11**, що включає також рік виробництва, зазначений на корпусі.

Приклад:

2020 XX XX

Рік виробництва

Опис (рис. A)



УВАГА! Ніколи не модифікуйте електричні інструменти або їх деталі. Це може призвести до пошкодження майна або тілесних ушкоджень.

- 1 Вимикач
- 2 Кнопка розблокування
- 3 Важіль блокування пильного полотна
- 4 Пильне полотно
- 5 Накладка на підошву
- 6 Опорна пластина
- 7 Важіль нахилу підошви
- 8 Дисківий регулятор швидкості
- 9 Регулятор ходу маятника
- 10 Тримач полотна

Сфера застосування

Ваша лобзикова пила розроблена для професійного розпилювання. DWE249/DWE349 Лобзикова пила DEWALT призначена для розпилювання деревини, пластика, металу, гуми і керамічних пластин

НЕ використовуйте за умов підвищеної вологості або в присутності легкозаймистих рідин та газів.

Ці лобзикові пили призначені для професійного використання.

Не дозволяйте дітям підходити на небезпечну відстань та торкатися інструмента. Використання інструмента недосвідченими операторами потребує нагляду.

- **Діти та хворі люди.** Цей пристрій не призначений для використання дітьми та особами з обмеженими фізичними або розумовими можливостями без нагляду.
- Цей пристрій не призначений для використання особами (включаючи дітей) із знизженими фізичними, сенсорними або розумовими можливостями або особами, яким бракує досвіду або знань за винятком випадків, коли такі особи працюють під наглядом особи, яка несе відповідальність за їх безпеку. Не можна залишати дітей наодинці з цим приладом.

МОНТАЖ ТА НАЛАШТУВАННЯ




ПОПЕРЕДЖЕННЯ: Щоб знизити ризик серйозних тілесних ушкоджень, вимкніть інструмент та відключіть акумулятор перед виконанням

будь-яких налаштувань або зміненням/ встановленням додаткового обладнання або приладдя. Випадковий запуск може призвести до травм.

Встановлення пильного полотна (рис. В)

-  **ЗАСТЕРЕЖЕННЯ.** При встановленні пильного полотна надягайте захисні рукавички, оскільки існує небезпека травмування при торканні до пильного полотна.
 -  **ЗАСТЕРЕЖЕННЯ.** Використовуйте лише пильні полотна типу Т. Використання полотен, відмінних від полотен типу Т, викликає недостатнє затягування полотна, що призводить до тяжких травм.
1. Підніміть важіль блокування пильного полотна **3** вгору.
 2. Вставте хвостовик пильного полотна в тримач полотна до упору так, щоб зубці були направлені вперед.
 3. Відпустіть важіль.
 4. Перед розрізанням перевірте, чи пильне полотно надійно закріплене. Незакріплене пильне полотно може впасти і призвести до травмування.

Налаштування підшви для розпилів з нахилом (рис. С)

-  **Застереження.** Ніколи не використовуйте інструмент, якщо підшва пили не зафіксована або знята. Підшва може бути відрегульована на лівій або правій кут зрізу з нахилом до 45°.

Установка кута нахилу




1. Потягніть важіль нахилу підшви **7** назовні, у напрямку від пили, щоб розблокувати підшву **6**, як показано на рисунку С.
2. Змістіть підшву вперед, щоб відпустити її з положення нерухомого обмежувача 0°.
3. Пластину можна нахилити вліво або вправо, а також її можна фіксувати на значеннях 15°, 30° і 45°.
4. Встановіть підшву на бажаний кут нахилу. Скористайтесь кутоміром, щоб впевнитися у точності кута.
5. Змістіть важіль нахилу підшви назад, у напрямку до пили, щоб заблокувати підшву.

Повернення підшви у положення для прямолінійних розрізів



1. Потягніть важіль нахилу підшви **7** назовні, у напрямку від пилки, щоб розблокувати підшву **6**, як показано на рисунку С.
2. Поверніть підшву на кут приблизно 0°, а потім потягніть її назад до положення нерухомого обмежувача 0°.
3. Змістіть важіль нахилу підшви назад, у напрямку до пили, щоб заблокувати підшву.

РЕЖИМ РОБОТИ

Інструкції з використання

-  **ПОПЕРЕДЖЕННЯ:** Завжди дотримуйтеся усіх інструкцій з техніки безпеки та відповідних норм.
-  **ПОПЕРЕДЖЕННЯ:** Щоб знизити ризик серйозних травм, вимкніть інструмент та відключіть його від мережі живлення перед виконанням будь-яких налаштувань або зміненням/ встановленням насадок або приладдя. Випадковий запуск може призвести до травм.
-  **УВАГА!**
 - Переконайтеся, що ваша заготовка добре закріплена. Витягніть цвяхи, гвинти та інші кріпильні елементи, які можуть пошкодити пильне полотно.
 - Перевірте, щоб під заготовкою було достатньо місця для пильного полотна.
 - Не розпилюйте матеріал, товщина якого перевищує максимальну глибину пропили пильного полотна.
 - Використовуйте лише гострі пильні полотна. Пошкоджені або зігнуті пильні полотна потрібно негайно зняти.
 - Не використовуйте цей пристрій для розрізання труб.
 - Ніколи не запускайте інструмент без пильного полотна.
 - Для отримання оптимальних результатів плавно та безперервно пересувайте інструмент над заготовкою. Не докладайте бокового зусилля до пильного полотна. Утримуйте підшву рівно на заготовці, а кабелі живлення відводьте від заготовки. При вирізанні кривих ліній, кола або інших округлих форм обережно штовхайте інструмент вперед.
 - Зачекайте повної зупинки інструмента, перш ніж витягувати пильне полотно з заготовки. Після розпилювання пильне полотно може бути дуже гарячим. Не торкайтеся.

Належне положення рук (рис. D)

-  **УВАГА!** Щоб знизити ризик серйозних тілесних ушкоджень, **ЗАВЖДИ** правильно розташовуйте руки, як показано.
-  **УВАГА!** Щоб знизити ризик серйозних травм, **ЗАВЖДИ** добре тримайте інструмент, щоб попередити випадкову віддачу.

При правильному положенні рук необхідно одну руку тримати на передній ручці **12**, а іншу – на основній ручці **13**.

Увімкнення та вимкнення (рис. А)

- Для увімкнення інструмента натисніть на перемикач увімк./вимк. **1**.

- Для безперервного режиму роботи натисніть на перемикач увімк./вимк., а потім на кнопку блокування перемикача **2**. Після натиснення на кнопку блокування відпустіть перемикач увімк./вимк.
- Щоб вимкнути інструмент, відпустіть перемикач увімк./вимк. Щоб вимкнути інструмент під час безперервного режиму натисніть на перемикач увімк./вимк., і блокування буде відключено.

Контроль змінної швидкості (рис. А, Е)



УВАГА! Якщо інструмент тривалий час працює на низькій швидкості, то двигун перевантажується і нагрівається.

Дисковий регулятор швидкості **8** розташований на перемикачі увімк./вимк. для DWE249 і у верхній частині пили для DWE349. Швидкість збільшується при повороті дискового регулятора зі значення низької швидкості 1 у напрямку до значення високої швидкості **6**.

Див. таблицю, щоб вибрати відповідну швидкість для оброблюваної деталі. Однак, відповідна швидкість може відрізнятись в залежності від типу або товщини заготовки. В цілому, більш високі швидкості дозволять швидше різати заготовки, але при цьому скоротиться термін служби полотна.

Матеріал	Контроль змінної швидкості
Деревина	5-6
Нержавіюча сталь	3-4
М'яка сталь	3-6
Алюміній	3-6
Пластик	1-4

Режими різання – круговий та прямолінійний (рис. А)



Застереження. Перед підключенням до мережі живлення перевірте, чи інструмент не заблокований у положенні УВІМК. Якщо перемикач увімк./вимк. при подачі живлення знаходиться у положенні ввімкнення, інструмент раптово почне працювати. Це може призвести до uszkodження інструмента та травм.

Ця лобзикова пилка має чотири режими різання: три кругові й один прямолінійний. Кругове різання відрізняється більш різким рухом пильного полотна і призначене для розрізання м'яких матеріалів, таких як деревина або пластик. Круговий рух забезпечує швидке розрізання, але поверхня розрізу менш гладка. При круговому різанні пильне полотно рухається вперед при кожному ході, а також вгору і вниз.
ПРИМІТКА. Ніколи не використовуйте круговий рух для різання твердої деревини або металу.

Установлення важеля різання

1. Встановіть важіль розрізання **9** в одне з чотирьох положень різання: 0, 1, 2 або 3.
2. Положення 0 призначене для прямолінійних розпилів.

3. Положення 1, 2 і 3 – для кругових розпилів. Потужність розрізання збільшується при збільшенні значень від одиниці до трьох, на третьому положенні різання буде найпотужнішим.

Знімна накладка на підшову (рис. F)

Стійку до подряпин накладку на підшову **5** слід використовувати при розрізанні поверхонь, які легко подряпати, наприклад ламінат, шпон або фарбована поверхня. Її також можна використовувати для захисту поверхні під час транспортування та зберігання.

Щоб встановити накладку на підшову, вставте передню частину підшови **6** у передню частину накладки на підшову та опустіть лобзикова пилу донизу, як показано на рисунку F. Накладка на підшову має надійно становитися на задню частину підшови.

Щоб зняти накладку на підшову, візьміть її знизу за два задні виступи та потягніть донизу від підшови.

Підказки для оптимального використання

Розпилювання ламінатів

Оскільки пильне полотно виконує розпил при ході вгору, на поверхні заготовки поруч з підшовою пили можуть з'явитися пошкодження.

Використовуйте дрібнозубчасте пильне полотно.

Ріжте із задньої поверхні заготовки.

Для зведення до мінімуму розколювання прикріпіть шматочок дерева або картону до обох боків заготовки та виконуйте розпил цього «сандвіча».

Розпилювання металу

- Пам'ятайте, що розпилювання металу займає набагато більше часу, ніж розпилювання деревини.
- Використовуйте спеціальне пильне полотно для металу.
- Під час розрізання листового металу прикріпіть шматочок дерева до задньої поверхні заготовки та виконуйте розпил цього «сандвіча».
- Нанесіть тонкий шар масла уздовж передбачуваної лінії розпилу, що полегшить роботу і продовжить термін служби пильного полотна. При розпилюванні алюмінію рекомендується в якості мастила використовувати гас.

Поздовжній/круговий розпил (рис. G, H)

Поздовжнє та кругове розпилювання можна легко виконати без нанесення лінії олівцем за допомогою направляючої планки та кругової направляючої (не входять до комплекту, можна придбати окремо).

Розташуйте додаткову направляючу і закрутіть гвинт, що надається з направляючою, у підшову, щоб надійно зафіксувати її.

При виконанні поздовжнього розпилу пересуньте направляючу планку під гвинтом на одній зі сторін пилки. Встановіть поперечину на необхідній відстані від пильного полотна і затягніть гвинт. При поздовжньому розпилі поперечина повинна бути внизу, впритул до прямого краю заготовки.

При виконанні кругового розпилу налаштуйте направляючу планку так, щоб відстань від пильного полотна до отвору у направляючій дорівнювала бажаному радіусу, і затягніть гвинт. Розмістіть пилку так, щоб отвір у направляючій знаходився над центром кола, яке потрібно вирізати (просвердліть отвір для пильного полотна або зробіть проріз всередину від краю матеріалу, щоб поставити пильне полотно в потрібне положення). Коли пилка розташована, як потрібно, вставте в отвір направляючої маленький цвях. Використовуйте направляючу планку в якості поворотної планки при вирізанні кола. При виконанні кругового розпилу поперечина повинна бути зверху.

ТЕХНІЧНЕ ОБСЛУГОВУВАННЯ

Ваш електричний інструмент призначений для роботи протягом довгого часу з мінімальним обслуговуванням. Довга задовільна робота приладу залежить від належного обслуговування приладу та регулярного його очищення.



ПОПЕРЕДЖЕННЯ: Щоб знизити ризик серйозних травм, вимкніть інструмент та відключіть його від мережі живлення перед виконанням будь-яких налаштувань або змінням/встановленням насадок або приладдя.

Випадковий запуск може призвести до травм.



Змащування

Ваш електричний інструмент не вимагає додаткового змащування.



Очищення



ПОПЕРЕДЖЕННЯ: Коли пил та бруд стають помітними та починають накопичуватися біля вентиляційних отворів, видавайте бруд та пил зсередини основного корпусу за допомогою сухого повітря. Використовуйте рекомендовані засоби захисту органів зору та рекомендовану протипилову маску при виконанні цієї операції.



ПОПЕРЕДЖЕННЯ: Ніколи не використовуйте розчинники та інші агресивні хімічні засоби для очищення неметалевих деталей інструмента. Такі хімічні речовини можуть нанести шкоду матеріалам, що використовуються в цих деталях. Використовуйте вологу ганчірку, змочену лише водою з м'яким милом. Не дозволяйте рідині потрапляти всередину інструмента та ніколи не занурюйте деталі інструмента в рідину.

Додаткові аксесуари



ПОПЕРЕДЖЕННЯ: Оскільки інше приладдя, що не зазначене виробником DEWALT, не перевірялося з цим пристроєм, його використання з інструментом може бути небезпечним. Необхідно

використовувати лише рекомендовані DEWALT приладдя з цим пристроєм, щоб знизити ризик отримання травми.

Зверніться до свого дилера для отримання подальшої інформації щодо відповідного приладдя.

Захист навколишнього середовища



Роздільний збір. Пристрої позначені цим символом, не можна викидати зі звичайним побутовим сміттям.

Пристрої містять матеріали, які можна відновити та переробити, що зменшить потребу у сировині. Утилізуйте електротехнічну продукцію відповідно до місцевих положень. Більш детальну інформацію можна отримати на сайті www.2helpU.com.



060

Виробник:
"Stanley Black & Decker Deutschland GmbH" Black-&-Decker Str.40, D-65510 Idstein, Німеччина

