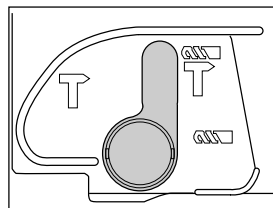
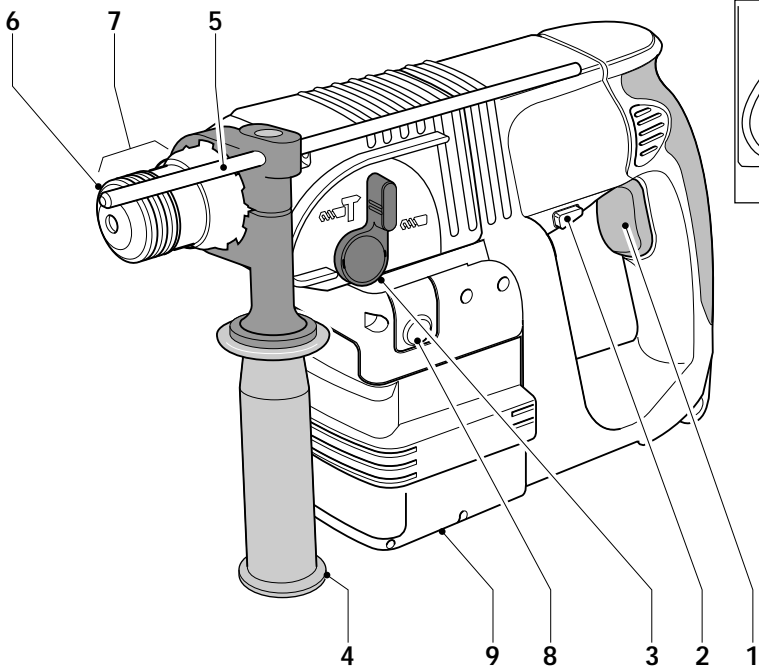


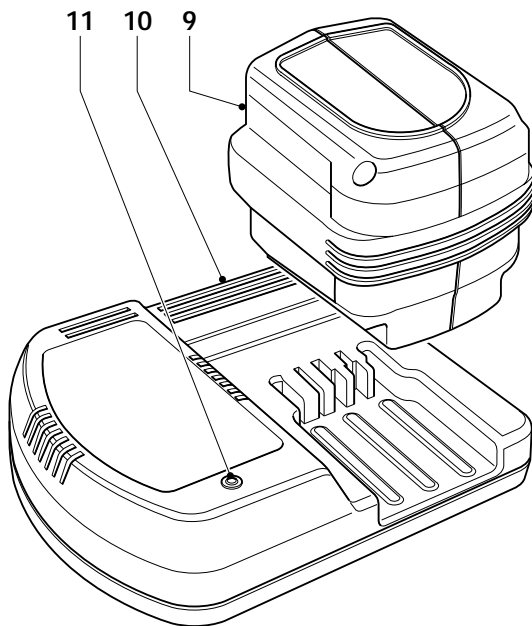
DEWALT®

DW004

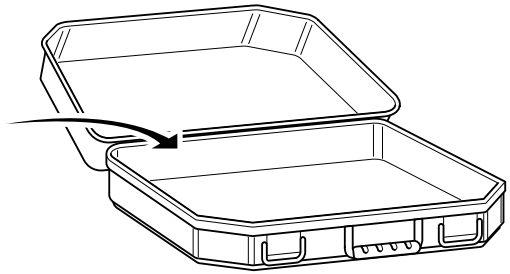
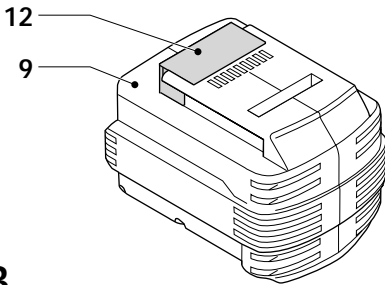
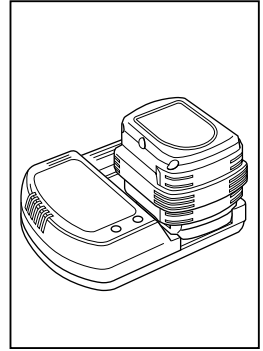
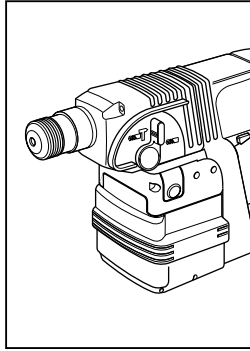
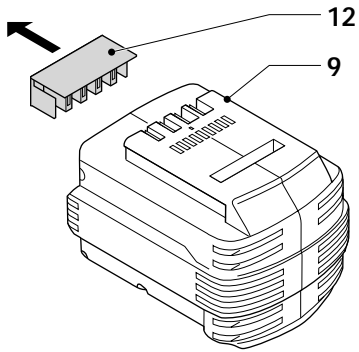
DW005



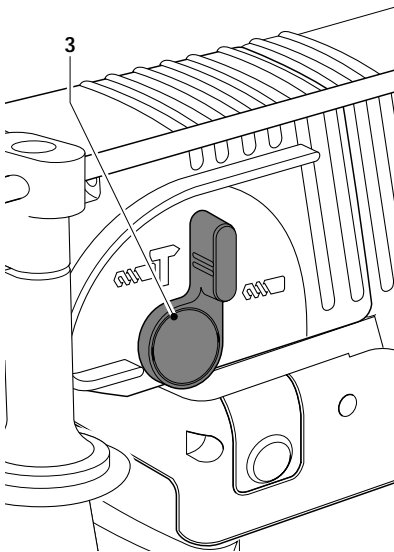
DW005



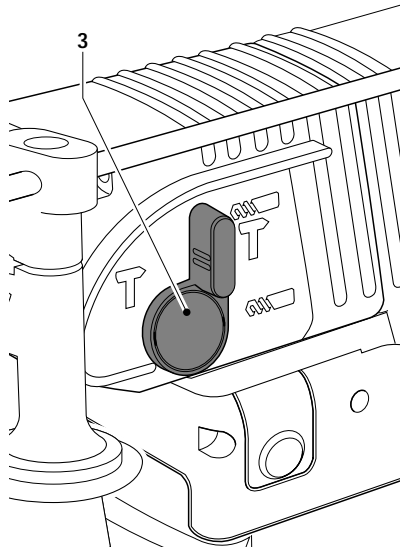
A



B

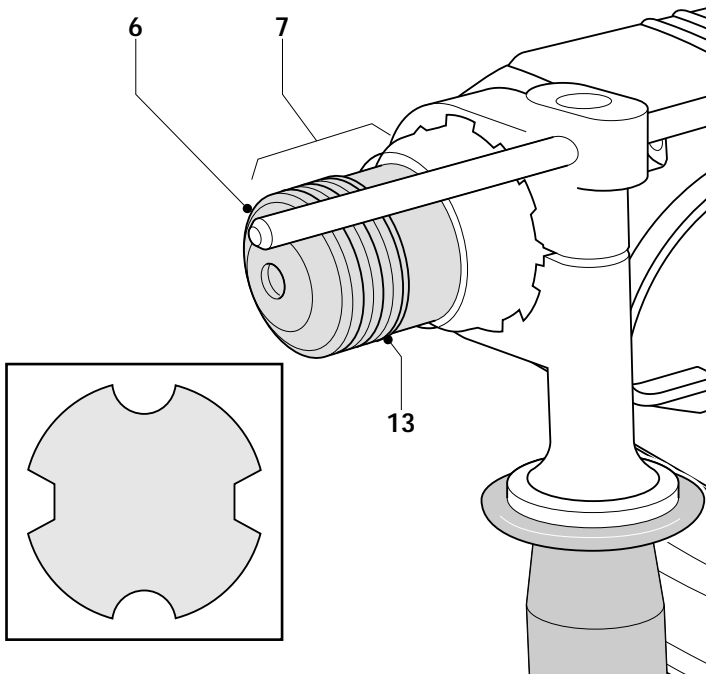


DW004

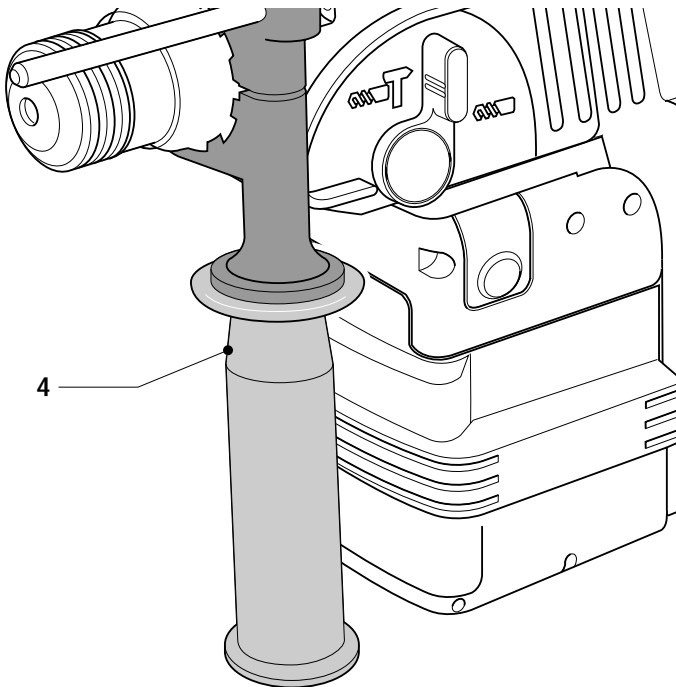


DW005

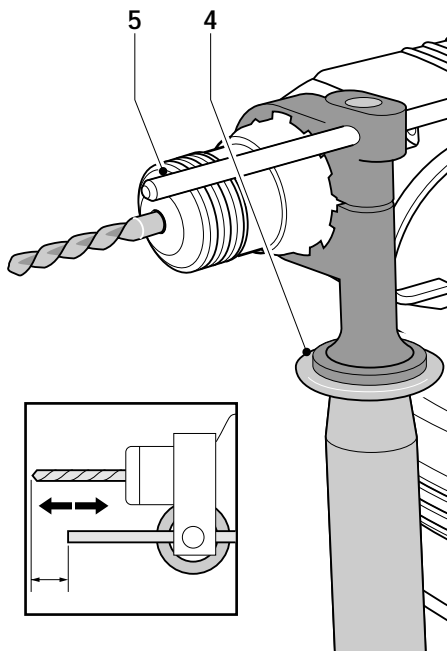
C



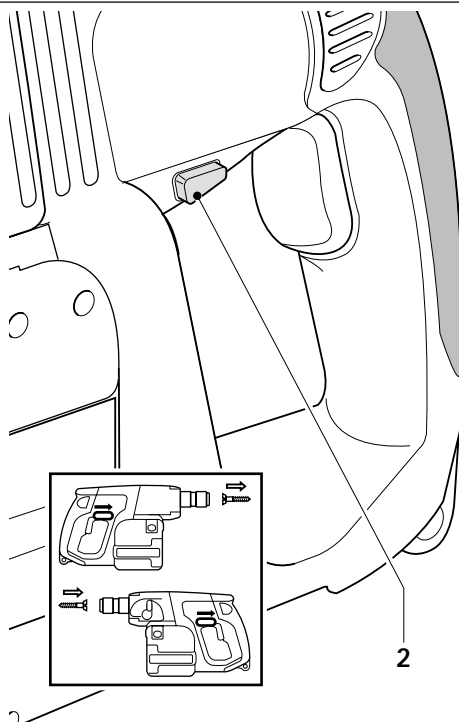
D



E



F



G

CORDLESS ROTARY HAMMER DRILL

DW004K/DW004K2/DW004K2C/DW004K2H/ DW005KH/DW005K2C/DW005K2H

Congratulations!

You have chosen a DeWALT power tool. Years of experience, thorough product development and innovation make DeWALT one of the most reliable partners for professional power tool users.

Technical data

		DW004	DW005
Voltage	V	24	24
No-load speed	min ⁻¹	0 - 1,100	0 - 1,100
Load speed	min ⁻¹	0 - 800	0 - 800
Impact energy	J	2.0	2.0
Maximum drilling range in steel/wood/concrete	mm	13/30/20	13/30/20
Chiselling		no	yes
Tool holder		SDS-plus	SDS-plus
Collar diameter	mm	43	43
Weight (without battery pack) kg		2.8	2.8

		DE0240	DE0241
Battery pack		DE0240	DE0241
Battery type		NiCd	NiMH
Voltage	V	24	24
Capacity	Ah	2.0	3.0
Weight	kg	1.4	1.4

		DE0246
Charger		DE0246
Battery type		NiCd/NiMH
Mains voltage	V _{AC}	230
Approx. charging time	min	60/70
Weight	kg	0.6

Fuses:

Europe	230 V tools	10 Amperes, mains
U.K. & Ireland	230 V tools	3 Amperes, in plugs

The following symbols are used throughout this manual:



Denotes risk of personal injury, loss of life or damage to the tool in case of non-observance of the instructions in this manual.



Denotes risk of electric shock.

EC-Declaration of conformity



DW004K/DW004K2/DW004K2C/DW004K2H/
DW005KH/DW005K2C/DW005K2H

DeWALT declares that these power tools have been designed in compliance with: 98/37/EEC, 89/336/EEC, 73/23/EEC, EN 50144, EN 55014-2, EN 55014, EN 50260, EN 60335, EN 61000-3-2 & EN 61000-3-3.

For more information, please contact DeWALT at the address below, or refer to the back of the manual.

		DW004	DW005
L _{pA} (sound pressure)	dB(A)*	89	89
L _{WA} (acoustic power)	dB(A)	102	102
Weighted RMS acceleration value	m/s ²	8.5	8.5

* at the operator's ear



Take appropriate measures for the protection of hearing.

Director Engineering and Product Development
Horst Großmann

DeWALT, Richard-Klinger-Straße 40,
D-65510, Idstein, Germany

Safety instructions

When using Power Tools, always observe the safety regulations applicable in your country to reduce the risk of fire, electric shock and personal injury. Read the following safety instructions before attempting to operate this product.

Keep these instructions in a safe place!

General

1 Keep work area clean

Cluttered areas and benches can cause accidents.

2 Consider work area environment

Do not expose Power Tools to humidity.

Keep work area well lit. Do not use Power Tools in the presence of flammable liquids or gases.

3 Guard against electric shock

Prevent body contact with earthed surfaces (e.g. pipes, radiators, cookers and refrigerators). For use under extreme conditions (e.g. high humidity, when metal swarf is being produced, etc.) electric safety can be improved by inserting an isolating transformer or a (FI) earth-leakage circuit-breaker.

4 Keep children away

Do not let children come into contact with the tool or extension cord. Supervision is required for those under 16 years of age.

5 Store idle tools

When not in use, Power Tools must be stored in a dry place and locked up securely, out of reach of children.

6 Dress properly

Do not wear loose clothing or jewellery. They can be caught in moving parts. Preferably wear rubber gloves and non-slip footwear when working outdoors. Wear protective hair covering to keep long hair out of the way.

7 Wear safety goggles

Also use a face or dust mask in case the operations produce dust or flying particles.

8 Beware of maximum sound pressure

Wear ear protection at all times.

9 Secure workpiece

Use clamps or a vice to hold the workpiece. It is safer and it frees both hands to operate the tool.

10 Do not overreach

Keep proper footing and balance at all times.

11 Stay alert

Watch what you are doing. Use common sense. Do not operate the tool when you are tired.

12 Remove adjusting keys and wrenches

Always check that adjusting keys and wrenches are removed from the tool before operating the tool.

13 Use appropriate tool

The intended use is described in this instruction manual. Do not force small tools or attachments to do the job of a heavy-duty tool. The tool will do the job better and safer at the rate for which it was intended.

Warning! The use of any accessory or attachment or performance of any operation with this tool, other than those recommended in this instruction manual may present a risk of personal injury.

14 Maintain tools with care

Keep the tools in good condition and clean for better and safer performance. Follow the instructions for maintenance and changing accessories. Inspect the tool cords at regular intervals and, if damaged, have them repaired by an authorized DeWALT repair agent. Keep all controls dry, clean and free from oil and grease.

15 Check for damaged parts

Before using the tool, carefully check it for damage to ensure that it will operate properly and perform its intended function. Check for misalignment and seizure of moving parts, breakage of parts and any other conditions that may affect its operation. Have damaged guards or other defective parts repaired or replaced as instructed.

Do not use the tool if the switch is defective.

Have the switch replaced by an authorized DeWALT repair agent.

16 Remove the battery pack

Remove the battery pack when not in use, before servicing and when changing accessories.

17 Have your tool repaired by an authorized DeWALT repair agent

This Power Tool is in accordance with the relevant safety regulations. To avoid danger, electric appliances must only be repaired by qualified technicians.

Additional safety instructions for battery packs and chargers



Fire hazard! Avoid metal short circuiting the contacts of a detached battery pack. Do not store or carry the battery pack without the battery cap placed over the contacts.

- The battery fluid, a 25-30% solution of potassium hydroxide, can be harmful. In case of skin contact, flush immediately with water. Neutralize with a mild acid such as lemon juice or vinegar. In case of eye contact, rinse abundantly with clean water for at least 10 minutes. Consult a physician.
- Never attempt to open a battery pack for any reason.
- Use only chargers labelled "NiMH" or "NiMH + NiCd" to charge DEWALT NiMH battery packs.
- Do not expose the charger to damp or wet conditions.
- Do not attempt to charge wet battery packs.

Labels on charger and battery pack

In addition to the pictographs used in this manual, the labels on the charger and the battery pack show the following pictographs:



Battery charging



Battery charged



Problem charging



Charges NiMH and NiCd battery packs



Do not probe with conductive objects



Do not charge damaged battery packs



Read instruction manual before use



Do not expose to water



Have defective cords replaced immediately



Charge only between 4 °C and 40 °C



See technical data for charging time



Always wear safety glasses when plugging in the charger.

Package contents

The package contains:

- 1 Cordless rotary hammer drill
- 1 Side handle
- 1 Depth adjustment rod
- 1 Charger
- 1 Battery pack with battery cap (DW004K/DW005KH)
- 2 Battery packs with battery cap (DW004K2/DW004K2C/DW005K2C/DW004K2H/DW005K2H)
- 1 Kitbox
- 1 Keyless chuck + chuck adaptor (DW004K2C/DW005K2C/DW005K2H)
- 1 Instruction manual
- 1 Exploded drawing

- Check for damage to the tool, parts or accessories which may have occurred during transport.
- Take the time to thoroughly read and understand this manual prior to operation.

Description (fig. A)

Your cordless rotary hammer drill DW004 has been designed for professional drilling, hammer drilling and screwdriving applications.

Your cordless rotary hammer drill DW005 has been designed for professional drilling, hammer drilling and screwdriving applications as well as for light chipping, chiselling and light demolition purposes.

- 1 Variable speed switch
- 2 Forward/reverse slider
- 3 Mode selector
- 4 Side handle

- 5 Depth adjustment rod
- 6 Dust cover
- 7 Tool holder
- 8 Release buttons
- 9 Battery pack

Charger

Your DE0246 charger accepts DeWALT 24 V NiCd and NiMH battery packs.

- 9 Battery pack
- 10 Charger
- 11 Charging indicator

Overload clutch

In case of jamming of a drill bit, the drive to the drill spindle is interrupted.

Because of the resulting forces, always hold the tool with both hands and take a firm stance.

Brake mechanism

When the variable speed switch is released, the spindle will stop rotating instantly.

Electrical safety

The electric motor has been designed for one voltage only. Always check that the battery pack voltage corresponds to the voltage on the rating plate. Also make sure that the voltage of your charger corresponds to that of your mains.



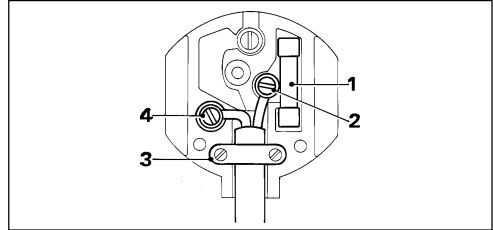
Your DeWALT charger is double insulated in accordance with EN 60335.

Mains plug replacement (U.K. & Ireland only)

- Should your mains plug need replacing and you are competent to do this, proceed as instructed below. If you are in doubt, contact an authorized DeWALT repair agent or a qualified electrician.
- Disconnect the plug from the supply.
- Cut off the plug and dispose of it safely; a plug with bared copper conductors is dangerous if engaged in a live socket outlet.
- Only fit 13 Amperes BS1363A approved plugs fitted with the correctly rated fuse (1).
- The cable wire colours, or a letter, will be marked at the connection points of most good quality plugs.

Attach the wires to their respective points in the plug (see below). Brown is for Live (L) (2) and Blue is for Neutral (N) (4).

- Before replacing the top cover of the mains plug ensure that the cable restraint (3) is holding the outer sheath of the cable firmly and that the two leads are correctly fixed at the terminal screws.



Never use a light socket. Never connect the live (L) or neutral (N) wires to the earth pin marked E or \perp .

Using an extension cable

An extension cord should not be used unless absolutely necessary. Use an approved extension cable suitable for the power input of your charger (see technical data). The minimum conductor size is 1 mm²; the maximum length is 30 m.

Assembly and adjustment



- Prior to assembly and adjustment, always remove the battery pack.
- Always switch off the tool before inserting or removing the battery pack.
- Before using the tool, make sure the battery pack is properly seated.



Use only DeWALT battery packs and chargers.

Battery pack (fig. A & B)

Charging the battery pack (fig. A)

Always check the mains prior to charging the battery pack. If the mains is functioning but the battery pack does not charge, take your charger to an authorized DeWALT repair agent. Whilst charging, the charger and the battery pack may become warm to touch. This is a normal condition and does not indicate a problem.



Do not charge the battery pack at ambient temperatures $< 4\text{ }^{\circ}\text{C}$ or $> 40\text{ }^{\circ}\text{C}$. Recommended charging temperature: approx. $24\text{ }^{\circ}\text{C}$.

- To charge the battery pack (9), insert it into the charger (10) as shown and plug in the charger. Be sure that the battery pack is fully seated in the charger. The red charging indicator (11) will blink. After approx. 1 hour, it will stop blinking and remain on. The battery pack is now fully charged.
- The red charging indicator flashes rapidly to indicate a charging problem. Reinsert the battery pack or try a new one. If the new pack also refuses to charge, have your charger tested by an authorised DeWALT repair agent.

Automatic refresh



The automatic refresh mode will equalize or balance the individual cells in the battery pack at its peak capacity. Battery packs should be refreshed overnight after every 10th charge/discharge cycle or whenever the pack no longer delivers the same amount of work.

- To refresh your battery pack, place the battery in the charger as usual. The red light will blink continuously indicating that the charge cycle has started.
- When the 1-hour charge cycle has completed, the light will stay on continuously and will no longer blink. The pack is fully charged and can be used at this time.
- If the pack is left in the charger after the initial 1-hour charge, the charger will automatically initiate the refresh mode. This mode will continue up to 8 hours, but the battery pack can be removed at any time during the refresh mode.

Inserting and removing the battery pack (fig. A)

- Insert the battery pack into the corresponding slot in the tool until it clicks in place. You may need to use some force to fully engage the spring-loaded mechanism.
- To remove the battery pack, press the two release buttons (8) simultaneously.

The spring-loaded mechanism will push the battery pack off the tool.

We recommend to insert the battery pack into the charger directly after removing it from the tool.

Battery cap (fig. B)

A protective cap is supplied to cover the contacts of a detached battery pack. Without the protective cap in place, loose metal objects could short circuit the contacts, causing a fire hazard and damaging the battery pack.

- Take off the protective cap (12) before placing the battery pack (9) in the charger or tool.
- Place the protective cap over the contacts immediately after removing the battery pack from the charger or tool.



Make sure the protective cap is in place before storing or carrying a detached battery pack.

AIR COOLED

The charger is equipped with an internal fan for rapid cooling of battery packs. The fan will be automatically switched on when required. The fan will also be switched on periodically when there is no battery in the charger in order to blow dust from the fan vents.



Always wear safety glasses when plugging in the charger.

Hot/Cold Pack Delay

When the charger detects a battery that is too hot or too cold, it automatically starts a Hot/Cold Pack Delay, suspending charging until the battery has reached an appropriate temperature. The charger then automatically switches to the pack charging mode. This feature ensures maximum battery life. The red indicator blinks long, then short while in the Hot/Cold Pack Delay mode.

DW004 - Selecting the operating mode (fig. C)

This tool can be used in two operating modes:



Rotary drilling:
for screwdriving and for drilling into steel, wood and plastics



Hammer drilling:
for concrete and masonry drilling

- Select the required operating mode by rotating the mode selector (3) towards the symbol on the gear housing.
- For screwdriving, refer to section «Instructions for use».

DW005 - Selecting the operating mode (fig. C)

This tool can be used in three operating modes:



Rotary drilling:
for screwdriving and for drilling into steel,
wood and plastics



Hammer drilling:
for concrete and masonry drilling



Hammering only with spindle lock:
for light chipping, chiselling and
demolition applications

- Select the required operating mode by rotating the mode selector (3) towards the symbol on the gear housing.
- For screwdriving, refer to section «Instructions for use».

Inserting and removing SDS-plus accessories (fig. D)

Your rotary hammer drill uses SDS-plus accessories (refer to the inset in fig. C for a cross-section of an SDS-plus bit shank).

- Clean and grease the bit shank.
- Insert the bit shank into the tool holder (7).
- Push the bit down and turn it slightly until it fits into the slots.
- Pull on the bit to check if it is properly locked. The hammering function requires the bit to be able to move axially several centimetres when locked in the tool holder.
- To remove a bit pull back the tool holder locking sleeve (13) and pull out the bit.

Fitting the side handle (fig. E)

The side handle (4) can be fitted to suit both RH- and LH-users.



Always use the tool with the side handle properly assembled.

- Loosen the side handle.
- For RH-users, slide the side handle clamp over the collar behind the tool holder, handle at the left.
- For LH-users, slide the side handle clamp over the collar behind the tool holder, handle at the right.
- Rotate the side handle to the desired position and tighten the handle.

Setting the drilling depth (fig. F)

- Insert the required drill bit.
- Slacken the side handle (4).
- Fit the depth adjustment rod (5) through the hole in the side handle clamp.
- Adjust the drilling depth as shown.
- Tighten the side handle.

Forward/reverse slider (fig. G)

- Push the forward/reverse slider (2) to the LH-side for forward (RH) rotation.
- Push the forward/reverse slider (2) to the RH-side for reverse (LH) rotation.
- Move the forward/reverse slider (2) to the central position to lock the switch when changing accessories, inserting the battery pack or when storing or transporting the tool.



Always wait until the motor has come to a complete standstill before changing the direction of rotation.

Replacing the dust cover (fig. D)

The dust cover (6) prevents dust ingress into the mechanism. Replace a worn dust cover immediately.

- Pull back the tool holder locking sleeve (13) and pull the dust cover (6) off.
- Fit the new dust cover.
- Release the tool holder locking sleeve.

Instructions for use



- Always observe the safety instructions and applicable regulations.
- Be aware of the location of pipework and wiring.

- Apply only a gentle pressure to the tool.
- Do not drill or drive too deep to prevent damage to the dust cover.

Switching on and off (fig. A)

- To run the tool, press the variable speed switch (1). The pressure exerted on the variable speed switch determines the tool speed.
- To stop the tool, release the switch.

Hammer drilling (fig. A)

- Select the hammer drilling mode.
- Insert the appropriate SDS-plus bit. For best results use high quality carbide-tipped bits.
- Mark the spot where the hole is to be drilled.
- Press the tool against the workpiece.
- Switch the tool on by pressing the variable speed switch (1). The hammer mechanism should run smoothly and the tool should not bounce. If necessary, increase the pressure on the switch.

Rotary drilling (fig. A)

- Select the rotary drilling mode.
- Proceed as described for hammer drilling. Special SDS-plus adaptors with threaded sections are available for use with standard 10 or 13 mm chucks to enable straight shank bits to be used.



Never use standard chucks in the hammer drilling mode.

Chipping and chiselling (fig. A)

- Select the hammering only mode.
- Insert an SDS-plus® chisel and check if it is properly locked.
- Adjust the side handle (4) as required.
- Proceed as described for hammer drilling.

It may be necessary to briefly run the motor after having changed from chiselling to rotary modes in order to align the gears.

Screwdriving (fig. A)

- Select the rotary drilling mode.
- Select the direction of rotation.
- Insert the special SDS-plus screwdriving adaptor for use with hexagonal screwdriver bits.
- Insert the appropriate screwdriver bit into the adaptor. When driving slotted head screws always use bits with a finder sleeve.

- Gently press the variable speed switch (1) to prevent damage to the screw head.
- When the screw is flush with the workpiece, release the variable speed switch to prevent the screw head from penetrating into the workpiece.



- Do not use this tool to mix or pump easily combustible or explosive fluids (benzine, alcohol, etc.).
- Do not mix or stir inflammable liquids labelled accordingly.

Various types of SDS-plus drill bits and adaptors are available as an option. Consult your dealer for further information on the appropriate DeWALT accessories.

Maintenance

Your DeWALT Power Tool has been designed to operate over a long period of time with a minimum of maintenance. Continuous satisfactory operation depends upon proper tool care and regular cleaning.

- The rotary hammer drill is not user-serviceable. Take the tool to an authorized DeWALT repair agent. This tool should be serviced at regular intervals or when showing a noticeable change in performance.



Lubrication

Your power tool requires no additional lubrication.



Always apply a small amount of grease to the shank of the SDS-plus bit before inserting it into the tool holder.



Cleaning

- Unplug the charger before cleaning the housing with a soft cloth.
- Remove the battery pack before cleaning your Power Tool.
- Keep the ventilation slots clear and regularly clean the housing with a soft cloth.

Environment



Rechargeable battery pack

This long life battery pack must be recharged when it fails to produce sufficient power on jobs which were easily done before. At the end of its technical life, discard it with due care for our environment:

- Run the battery pack down completely, then remove it from the tool.
- NiCd and NiMH cells are recyclable. Take them to your dealer or a local recycling station. The collected battery packs will be recycled or disposed of properly.



Unwanted tools

Take your tool to an authorised DeWALT repair agent where it will be disposed of in an environmentally safe way.

GUARANTEE

• 30 DAY NO RISK SATISFACTION GUARANTEE •

If you are not completely satisfied with the performance of your DeWALT tool, simply return it within 30 days, complete as purchased, to the point of purchase, for a full refund or exchange. Proof of purchase must be produced.

• ONE YEAR FREE SERVICE CONTRACT •

If you need maintenance or service for your DeWALT tool, in the 12 months following purchase, it will be undertaken free of charge at an authorized DeWALT repair agent. Proof of purchase must be produced. Includes labour and spare parts for Power Tools. Excludes accessories.

• ONE YEAR FULL WARRANTY •

If your DeWALT product becomes defective due to faulty materials or workmanship within 12 months from the date of purchase, we guarantee to replace all defective parts free of charge or, at our discretion, replace the unit free of charge provided that:

- The product has not been misused.
- Repairs have not been attempted by unauthorized persons.
- Proof of purchase date is produced.

This guarantee is offered as an extra benefit and is additional to consumers statutory rights.

For the location of your nearest authorized DeWALT repair agent, please use the appropriate telephone number on the back of this manual. Alternatively, a list of authorized DeWALT repair agents and full details on our after-sales service are available on the Internet at www.2helpU.com.

Belgique et Luxembourg België en Luxemburg	DeWALT Weihoek 1, Nossegem 1930 Zaventem-Zuid	Tel: 02 719 07 11 Fax: 02 721 40 45 www.dewaltbenelux.com
Danmark	DeWALT Hejrevang 26 B 3450 Allerød	Tlf: 70 20 15 30 Fax: 48 14 13 99 www.dewalt-nordic.com
Deutschland	DeWALT Richard-Klinger-Straße 65510 Idstein	Tel: 06126-21-1 Fax: 06126-21-2770 www.dewalt.de
Ελλάς	BLACK & DECKER (ΕΛΛΑΣ) Α.Ε. Στράβωνος 7 & Λεωφ. Βουλιαγμένης 159 166 74 Γλυφάδα - Αθήνα	Τηλ. 010 8981616 010 8982630 Φαξ 010 8983285
España	DeWALT Parque de Negocios "Mas Blau" Edificio Muntadas, c/Bergadá, 1, Of. A6 08820 El Prat de Llobregat (Barcelona)	Tel: 934 797 400 Fax: 934 797 439
France	DeWALT Le Paisy BP 21, 69571 Dardilly Cedex	Tel: 472 20 39 72 Fax: 472 20 39 02
Helvetia Schweiz	DeWALT ROFO Kundendienst Gewerbezone Seeblick 3213 Kleinbösingen	Tel: 026 - 674 93 93 Fax: 026 - 674 93 94 www.dewalt.ch
Ireland	DeWALT Calpe House Rock Hill Black Rock, Co. Dublin	Tel: 00353-2781800 Fax: 00353-2781811
Italia	DeWALT Viale Elvezia 2 20052 Monza (Mi)	Tel: 0800-014353 Fax: 039-2387592
Nederland	DeWALT Florijnstraat 10 4879 AH Etten-Leur	Tel: 076 50 02 000 Fax: 076 50 38 184 www.dewalt.benelux.com
Norge	DeWALT Strømsveien 344 1011 Oslo	Tel: 22 99 99 00 Fax: 22 99 99 01 www.dewalt-nordic.com
Österreich	DeWALT Werkzeugevertriebs GmbH Erlaerstraße 165, Postfach 320,1231 Wien	Tel: 01 - 66116 - 0 Fax: 01 - 66116 - 14 www.dewalt.at
Portugal	DeWALT Rua Egas Moniz 173 João do Estoril, 2766-651 Estoril	Tel: 214 66 75 00 Fax: 214 66 75 75
Suomi	DeWALT Palotie 3 01610 Vantaa	Puh: 98 25 45 40 Fax: 98 25 45 444 www.dewalt-nordic.com
	Brandvägen 3 01610 Vanda	Tel: 98 25 45 40 Fax: 98 25 45 444 www.dewalt-nordic.com
Sverige	DeWALT Box 603 421 26 Västra Frölunda, Besöksadr. Ekonomivägen 11	Tel: 031 68 61 00 Fax: 031 68 60 08 www.dewalt-nordic.com
Türkiye	DeWALT Merkez Mahallesi, Köyaltı Mevkii, Şahnur Sokak (OTTO Binası) 34530 Yenibosna/İstanbul (PBX)	Tel: 021 26 39 06 26 Faks: 021 26 39 06 35
United Kingdom	DeWALT 210 Bath Road Slough, Berks SL1 3YD	Tel: 01753-56 70 55 Fax: 01753-57 21 12