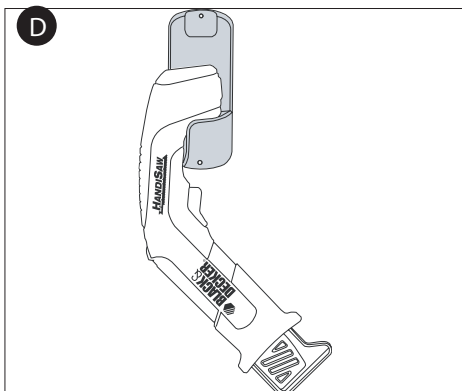
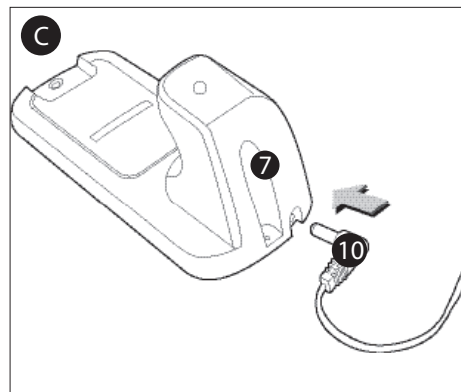
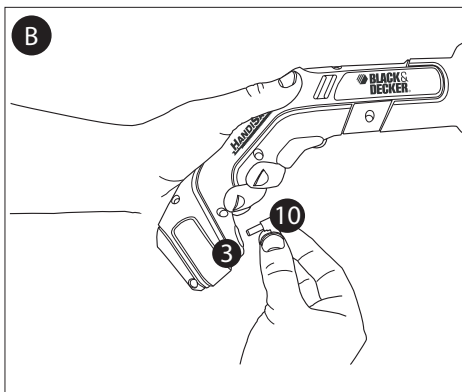
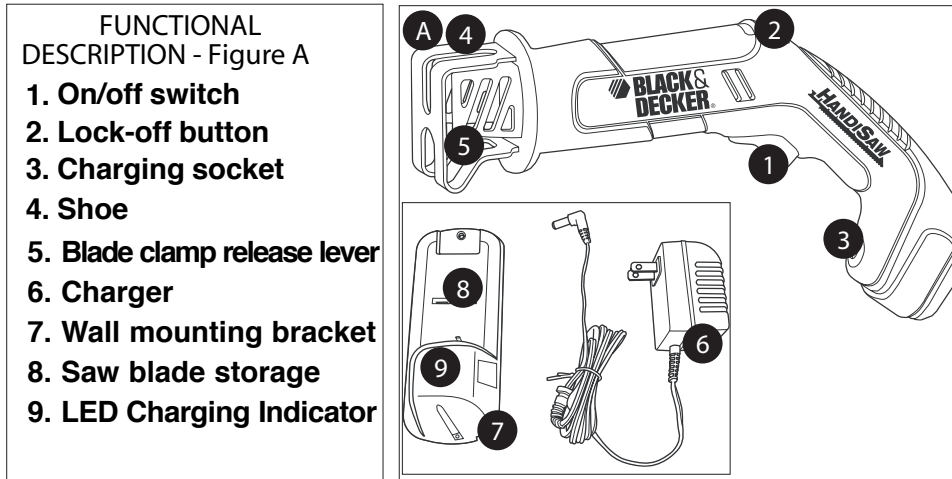


ADDENDUM TO CHS600-XE INSTRUCTIONS FOR AUSTRALIA AND NEW ZEALAND ONLY
Charging base use and wall mounting.



New Zealand
Black & Decker
5 Te Apunga Place
Mt. Wellington.
Auckland 1060

Tel. +64 9 259 1111
Fax. +64 9 259 1122

ASSEMBLY

HANGING THE WALL MOUNTING BRACKET

Use the hardware provided only if hanging on conventional hollow wall construction such as sheet rock or plaster walls. If not hanging on conventional sheet rock or plaster walls, please use the appropriate fasteners for that material.

- Locate the charging base within reach of an electrical outlet.
- Mark the position of both hang holes.
- Drill appropriate sized holes.
- Insert supplied hardware through hang holes and attach bracket to wall. Check to see that the charging base is firmly attached to the wall so it will not pull out.
- Plug in and place the product in position.

NOTE: Avoid damaging the cord while fixing the mounting bracket to the wall.