

**BLACK+  
DECKER**™



[www.blackanddecker.eu](http://www.blackanddecker.eu)

**WW100**

EN

DE

FR

IT

NL

ES

PT

SV

NO

DK

FI

EL

## Intended use

Your BLACK+DECKER™ WW100 Window Washer has been designed for washing windows and wet vacuum cleaning purposes

## Safety instructions

### General power tool safety warnings



**Warning! Read all safety warnings and all instructions.** Failure to follow the warnings and instructions listed below may result in electric shock, fire and/or serious injury.



**Warning!** When using battery powered appliances, basic safety precautions, including the following should always be followed to reduce risk of fire, leaking batteries, personal injury and material damage.

- ◆ Read all of this manual carefully before using the appliance.
- ◆ The intended use is described in this manual. The use of any accessory or attachment or the performance of any operation with this appliance other than those recommended in this instruction manual may present a risk of personal injury.
- ◆ Retain this manual for future reference.

### Using your appliance

- ◆ Do not use the appliance to pick up flammable liquids or any materials that could catch fire.
- ◆ Never pull the charger lead to disconnect the charger from the socket. Keep the charger lead away from heat, oil and sharp edges.
- ◆ This appliance is not intended for use by young or infirm persons without supervision. Children must be supervised to ensure they do not play with the appliance.

### After use

- ◆ Unplug the charger before cleaning the charger or charging base.
- ◆◆ When not in use, the appliance should be stored in a dry place.
- ◆ Children should not have access to stored appliances.

### Inspection and repairs

- ◆ Before use, check the appliance for damaged or defective parts. Check for breakage of parts, damage to switches and any other conditions that may affect its operation.
- ◆ Do not use the appliance if any part is damaged or defective.

- ◆ Have any damaged or defective parts repaired or replaced by an authorised repair agent.
- ◆ Regularly check the charger lead for damage. replace the charger if the lead is damaged or defective.
- ◆ Never attempt to remove or replace any parts other than those specified in this manual.

### Additional safety instructions - batteries and chargers.

#### Batteries

- ◆ Never attempt to open for any reason.
- ◆ Do not expose the battery to water.
- ◆ Do not expose the battery to heat.
- ◆ Do not store in locations where the temperature may exceed 40°C.
- ◆ Charge only at ambient temperatures between 10°C and 40°C.
- ◆ Charge only using the charger provided with the appliance/tool. Using the wrong charger could result in an electric shock or overheating of the battery.
- ◆ When disposing of batteries, follow the instructions given in the section "Protecting the environment".
- ◆ Do not damage/deform the battery pack either by puncture or impact, as this may create a risk of injury and fire.
- ◆ Do not charge damaged batteries.
- ◆ Under extreme conditions, battery leakage may occur. When you notice liquid on the batteries carefully wipe the liquid off using a cloth. Avoid skin contact.
- ◆ In case of skin or eye contact, follow the instructions below.

**Warning!** The battery fluid may cause personal injury or damage to property. In case of skin contact, immediately rinse with water. If redness, pain or irritation occurs seek medical attention. In case of eye contact, rinse immediately with clean water and seek medical attention.

#### Chargers

Your charger has been designed for a specific voltage. Always check that the mains voltage corresponds to the voltage on the rating plate.

**Warning!** Never attempt to replace the charger unit with a regular mains plug.

- ◆ Use your BLACK+DECKER charger only to charge the battery in the appliance/tool with which it was supplied. Other batteries could burst, causing personal injury and damage.
- ◆ Never attempt to charge nonrechargeable batteries.
- ◆ If the supply cord is damaged, it must be replaced by the manufacturer or an authorised BLACK+DECKER Service Centre in order to avoid a hazard.
- ◆ Do not expose the charger to water.
- ◆ Do not open the charger.

- ◆ Do not probe the charger.
- ◆ The appliance/tool/battery must be placed in a well ventilated area when charging.

### Safety of others

- ◆ This appliance is not intended for use by persons (including children) with reduced physical, sensory or mental capabilities, or lack of experience and knowledge, unless they have been given supervision or instruction concerning the use of the appliance by a person responsible for their safety.
- ◆ Children should be supervised to ensure that they do not play with the appliance.

### Residual risks.

Additional residual risks may arise when using the tool which may not be included in the enclosed safety warnings. These risks can arise from misuse, prolonged use etc.

Even with the application of the relevant safety regulations and the implementation of safety devices, certain residual risks can not be avoided. These include:

- ◆ Injuries caused by touching any rotating/moving parts.
- ◆ Injuries caused when changing any parts, blades or accessories.
- ◆ Injuries caused by prolonged use of a tool. When using any tool for prolonged periods ensure you take regular breaks.
- ◆ Impairment of hearing.
- ◆ Health hazards caused by breathing dust developed when using your tool (example:- working with wood, especially oak, beech and MDF.).

### Electrical safety

Your charger has been designed for a specific voltage. Always check that the mains voltage corresponds to the voltage on the rating plate. Never attempt to replace the charger unit with a regular mains plug.



Your charger is double insulated; therefore no earth wire is required. Always check that the mains voltage corresponds to the voltage on the rating plate. Never attempt to replace the adapter unit with a regular mains plug.

### Symbols on Charger



Short circuit proof safety isolating transformer.



SMPS



The charging base is intended for indoor use only.

### Labels on appliance



Read all of this manual carefully before using the appliance



Only use with charger SSA-GP-05

LED Patterns Charging	
	Charging
	Battery Fault

LED Patterns In use	
	Battery low
	Battery Empty

### Battery diagnostics

If the appliance detects a weak battery, the charging indicator will flash at a fast rate when the power button is activated.

Proceed as follows:

- ◆ Plug in the charger. Switch on at the mains.
- ◆ Leave the appliance to charge.

If the appliance detects a damaged battery, the charging indicator will flash at a fast rate when the appliance is on charge. Proceed as follows:

- ◆ Take the appliance and the charger to be tested at an authorised services centre.

**Note: It may take as long as 60 minutes to determine that the battery is defective. If the battery is too hot or too cold, the LED will alternately blink, fast and slow, one flash at each speed and repeat.**

## Features

1. Replaceable squeegee blade
2. Head release button
3. Head rotate button
4. Nozzle
5. Dirty water empty port
6. Dirty water tank
7. Cleaning solution fill port
8. Reservoir
9. Vacuum On/Off
10. Micro fibre pad
11. Spray trigger
12. Maximum fill
13. Charging socket
14. Charger
15. Motor unit release button

## Onderdelen

1. vervangbare zuigmond lemmet
2. Kop ontgrendelknop
3. Kop roteren knop
4. Spuitmond
5. Vuile water lege poort
6. Vuilwaterreservoir
7. Reinigingsoplossing vulpoort
8. Stuwmeer
9. Stofzuiger On / Off
10. Microvezelpad
11. de Nevel Trigger
12. Maximummullijn
13. Oplaadaansluiting
14. Oplader
15. Motorunit ontgrendelingsknop

## Funksjoner

1. Utskiftbar nal blade
2. Hode utløserknappen
3. Hode roteringsknappen
4. Dyse
5. Skittent vann tom port
6. Skittent vann tank
7. Rensemiddel påfyllingsporten
8. reservoar
9. Vakuum På / Off
10. Mikrofiberfôr puten
11. Spray utløse
12. For maksimalt væske
13. Ladeuttak
14. Lader
15. Motorenheten utløserknappen

## Merkmale

1. Austauschbare Wischgummi Klinge
2. Kopf Entriegelungsknopf
3. Kopf rotieren Taste
4. Düse
5. Schmutziges Wasser leer Port
6. Schmutzwasserbehälter
7. Reinigungslösung Füllort
8. Vorratsbehälter
9. Vakuum-Ein/Aus-
10. Mikrofaser-Pad
11. Spritz-Trigger
12. Maximal fill
13. Ladebuchse
14. Ladegerät
15. Motoreinheit Auslöseknopf

## Características

1. escobilla de goma reemplazable cuchilla
2. Botón de liberación del cabezal
3. Botón de rotación Cabeza
4. Boquilla
5. Puerto vacío El agua sucia
6. Tanque de agua sucia
7. Limpieza de puerto de llenado de solución de
8. Embalse
9. Vacío On / Off
10. Almohadilla de fibra Micro
11. Disparador del aerosol
12. llenado máximo
13. Toma de carga
14. Cargador
15. Botón de liberación de la unidad de motor

## Komponenter

1. Udskeftelig sugefod klinge
2. Viskeren udløserknop
3. Rotere knap
4. Dyse
5. Skittent vann tom port
6. Skittent vann tank
7. Rengøring opløsning påfyldningsport
8. Reservoir
9. Vakuum On / Off
10. Mikrofiber pad
11. Sprøjte udløse
12. Maksimal fylld
13. Opladning socket
14. Oplader
15. Motorenhed udløserknop

## Fonctionnalités

1. Racioir remplaçable lame
2. Head bouton de déverrouillage
3. Bouton de rotation Head
4. Suceur
5. L'eau sale port vide
6. Cuve pour eau usée
7. Solution de nettoyage orifice de remplissage
8. Réservoir
9. Aspirateur On / Off
10. Pad en microfibre
11. Vaporisateur déclencheur
12. Remplissage maximum
13. Prise de charge
14. Chargeur
15. Motor dispositif de largage

## Componentes

1. Rodo substituível lâmina
2. Botão de liberação da Cabeça
3. Botão de rotação da cabeça
4. Bocal
5. A água suja porta vazia
6. Tanque de água suja
7. Limpeza solução porta de preenchimento
8. Reservatório
9. Vácuo On / Off
10. Pad microfibra
11. Spray de gatilho
12. Preenchimento máximo
13. Tomada de carregamento
14. Carregador
15. Botão de liberação da unidade de Motor

## Yleiskuvaus

1. Vaihdeittava kumilasta terä
2. Head vapautuspainiketta
3. Head kiertopainike
4. Suutin
5. Likainen vesi vielä tyhjä portti
6. Likainen vesitankki
7. Siivous ratkaisu täyttöpörtti
8. Tekojärvi
9. Pölynimurit On / Off
10. Mikrokuitulinää
11. Suihke laukaista
12. Maksimi fill
13. Latausliitäntä
14. Laturi
15. Motor yksikkö vapautuspainike

## Caratteristiche

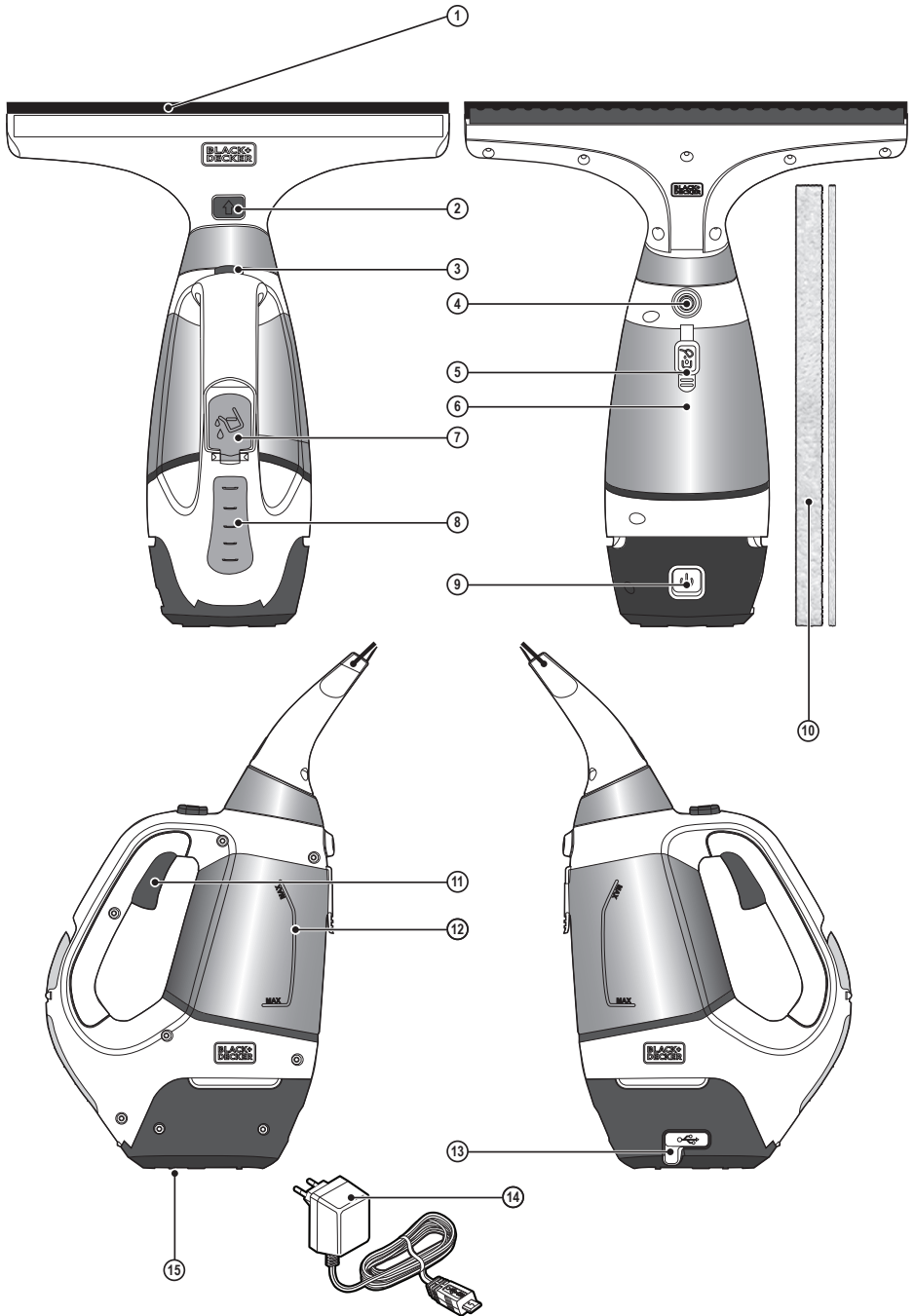
1. Seccatoio sostituibile lama
2. Pulsante di rilascio testa
3. Pulsante rotazione testa
4. Ugello
5. Acqua sporca porta vuota
6. Serbatoio acqua sporca
7. Pulizia porto di riempimento soluzione
8. Reservoir
9. Aspirapolvere On / Off
10. Pad micro fibra
11. Grilletto spruzzo
12. Riempimento massimo
13. Presa di ricarica
14. Caricabatterie
15. Pulsante di rilascio Gruppo motore

## Funktioner

1. Utbytbara av skrapans bladet
2. Head frigöringsknapp
3. Head rotera knappen
4. Munstycke
5. Smutsigt vatten tom port
6. Smutsigt vattentank
7. Rengöringslösning påfyllningsporten
8. Reservoar
9. Dammsug På / Off
10. Mikrofiber dyna
11. Sprut avtryckare
12. Maximalt fyll
13. Laddningsuttag
14. Laddare
15. Motorenhet frigöringsknapp

## Λειτουργίες

1. Αντικαταστάσιμα ελαστικό μάκτρο λεπίδα
2. Προϊστάμενο κουμπί απελευθέρωσης
3. Προϊστάμενο Περιστρέψιμο
4. Ακροφύσιο
5. Βρώμικο νερό άδειο λιμάνι
6. Βρώμικο δεξαμενή νερού
7. Τον καθαρισμό λύση Η θύρα πλήρωσης
8. ταμιευτήρα
9. Κενό On / Off
10. Μικροίνες pad
11. ψεκασμού με σκανδάλη
12. μέγιστη πλήρωσης
13. υποδοχή φόρτισης
14. Φορτιστής
15. Motor κουμπί απελευθέρωσης της μονάδας



ASSEMBLY  
MONTAGEM

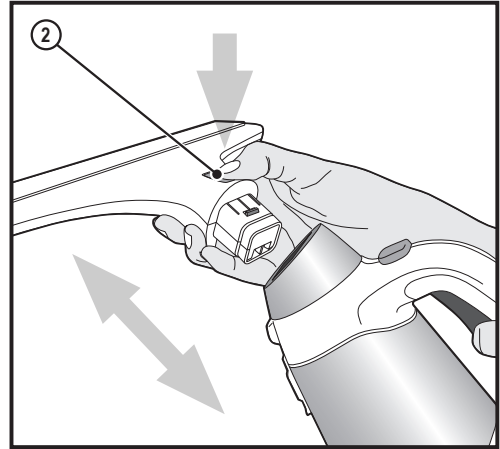
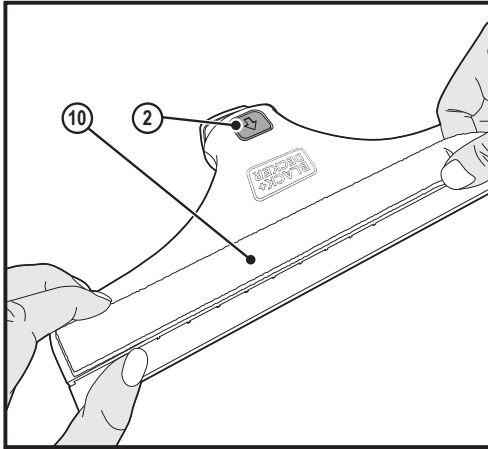
MONTAGE  
MONTERING

ASSEMBLAGE  
MONTERING

MONTAGGIO  
SAMLING

MONTEREN  
KOKOAMINEN

MONTAJE  
ΣΥΝΑΡΜΟΛΟΓΗΣΗ



CHARGING  
CARREGAR

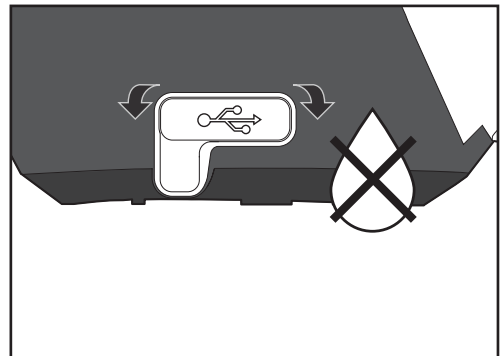
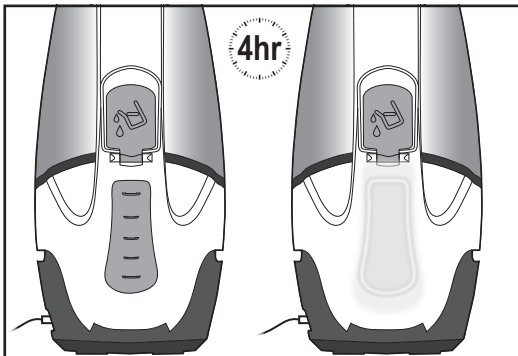
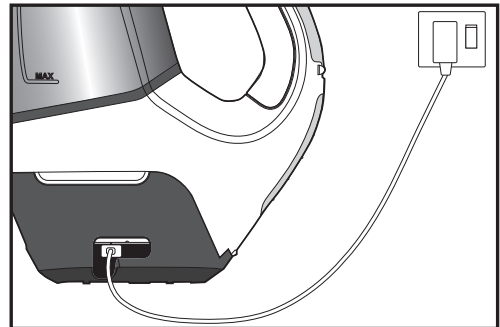
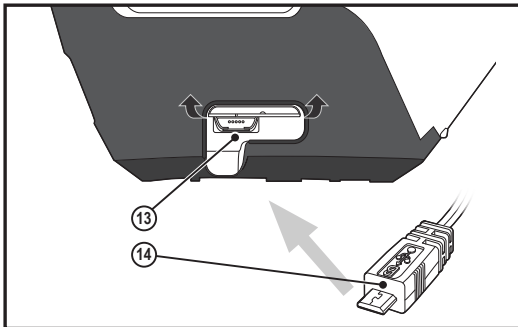
LADEN  
LADDA

CHARGE  
LADE

CARICA  
OPLADNING

LADEN  
LATAAMINEN

CARGA  
ΦΟΡΤΙΣΗ



USE

VERWENDUNG

UTILISATION

UTILIZZO

GEBRUIK

USO

UTILIZAÇÃO

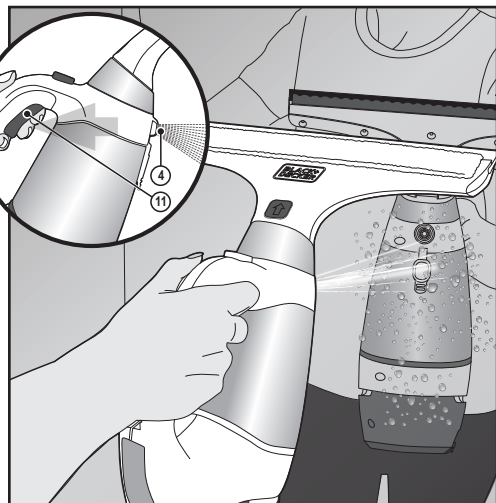
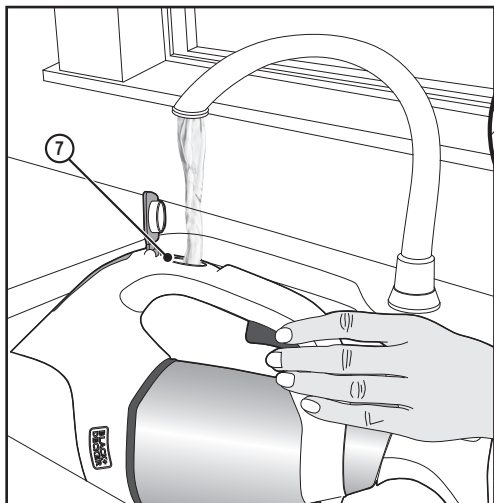
ANVÄNDNING

BRUK

ANVENDELSE

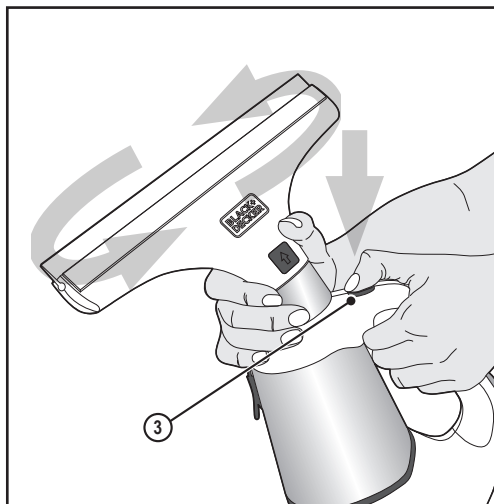
KÄYTTÖ

ΧΡΗΣΗ



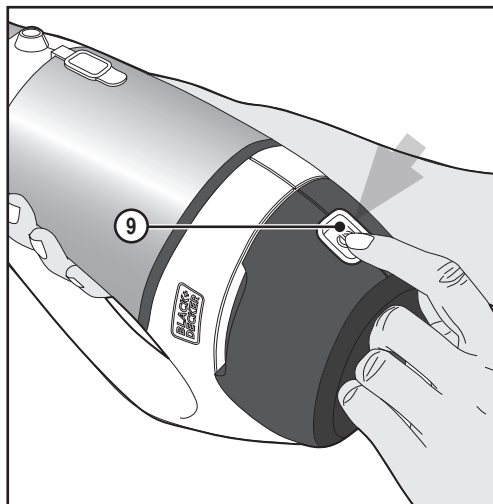
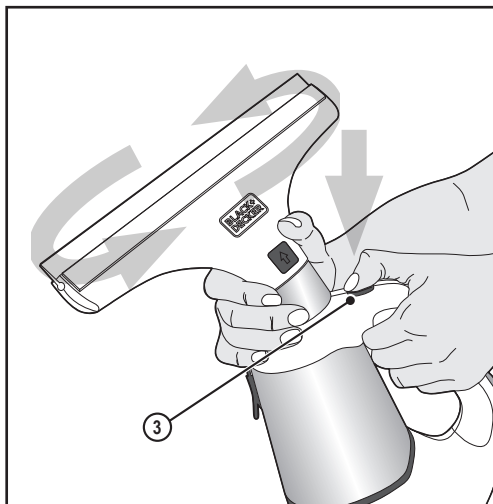
Fill	Füllen	Remplir	Riempire
Vullen	Rellene	Preencha	Fyll
Fylle	Udfylde	Täytä	γέμισμα

Spray	Sprühen	Vaporisez	Spruzzare
Besproeien	Rociar	Spray	Spraya
Sprøyte	Sprøjte	Suihkuta	Σπρέι



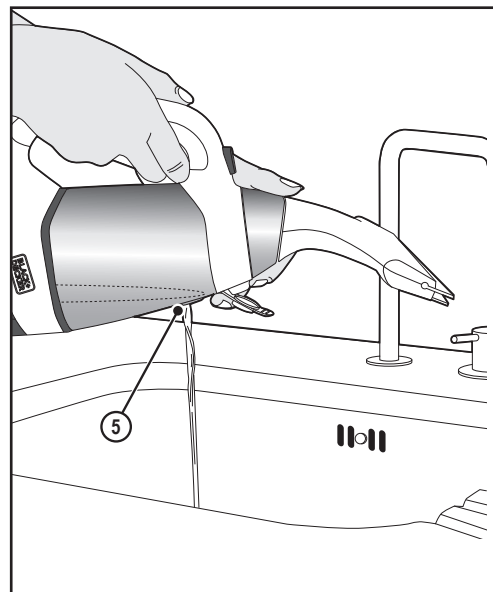
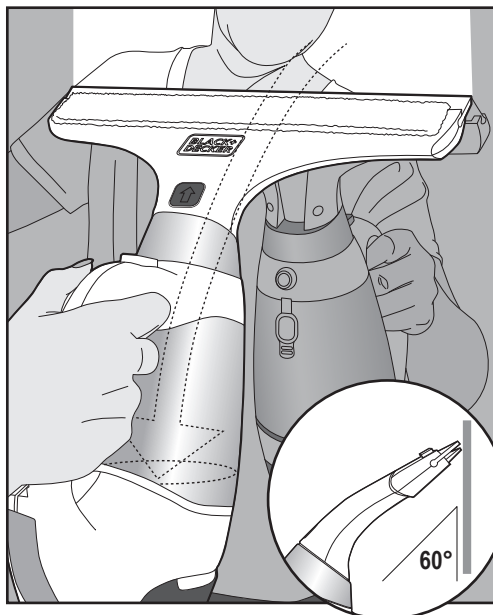
Rotate	Rotieren	Pivoter	Ruotare
Roteren	Rotar	Rodar	Rotera
Rotere	Roter	Kierrä	Περιστρέψτε

Wash	Reinigen	Nettoage	Lavaggio
Wassen	Limpeza	Lavagem	Rengör
Vask	Skylning	Pesu	Πλύσιμο



Rotate	Rotieren	Pivoter	Ruotare
Roteren	Rotar	Rodar	Rotera
Rotere	Roter	Kierrä	Περιστρέψτε

Power	Macht	Puissance	Potere
Kracht	Poder	Poder	Ström
Makt	Strøm	Teho	Ισχύς



Vacuum	Vakuum	l'aspiration	aspirazione
Aspiradora	Aspiração	dammsugare	Støvsuger
Støvsuger	Roter	Imurin	Περιστρέψτε

Emptying	Leeren	Vidage	Svoutamento
Legen	Vaciado	Esvazier	Tömma
Tømme	Tømning	Tyhjentäminen	Άδειασμα



CLEAN

REINIGEN

NETTOYER

MONTAGGIO

PULITURA

REINIGEN

MONTAGEM

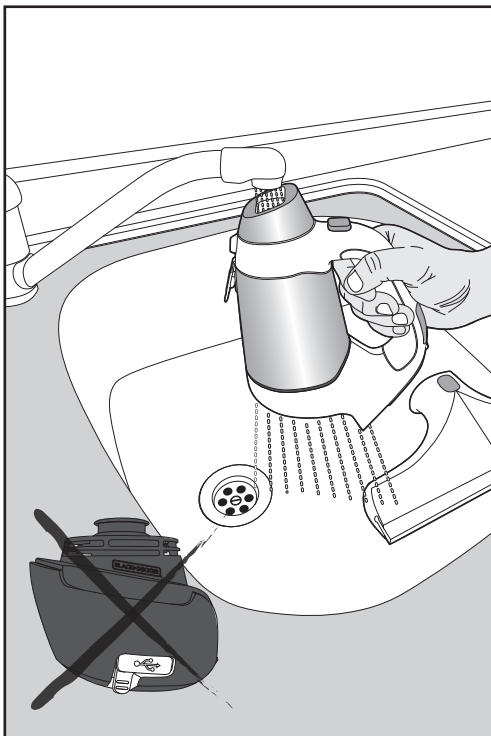
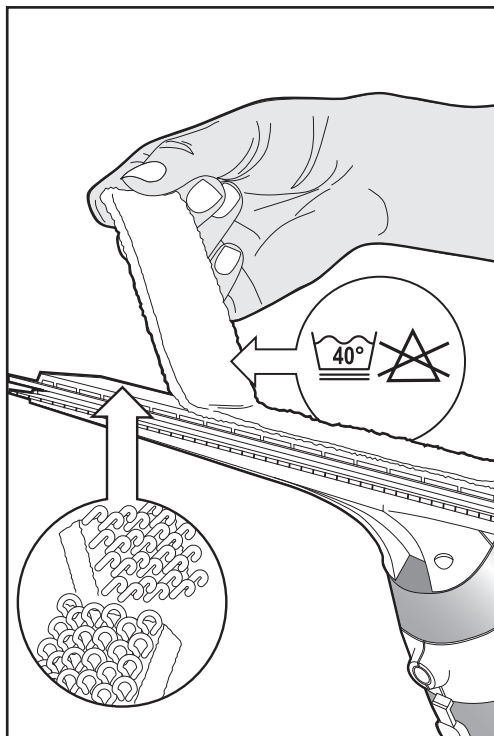
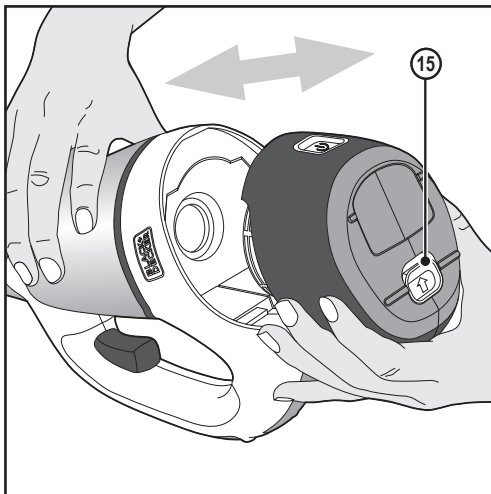
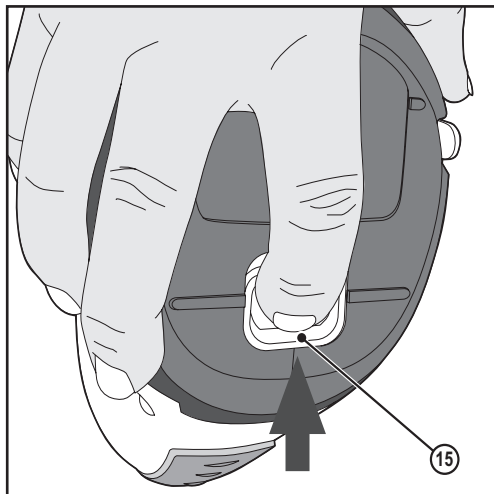
LIMPIEZA

LIMPAR

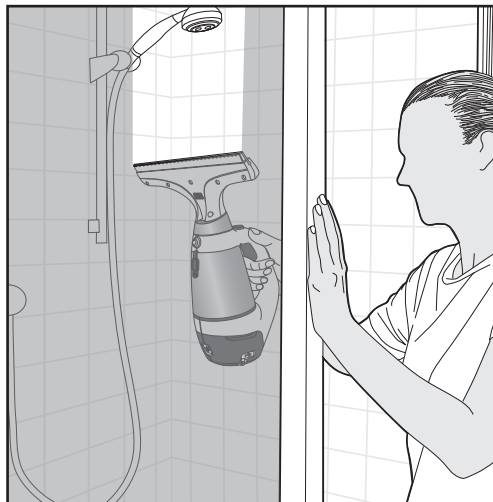
RENGOR

PUHDISTUS

ΚΑΘΑΡΙΣΜΟΣ

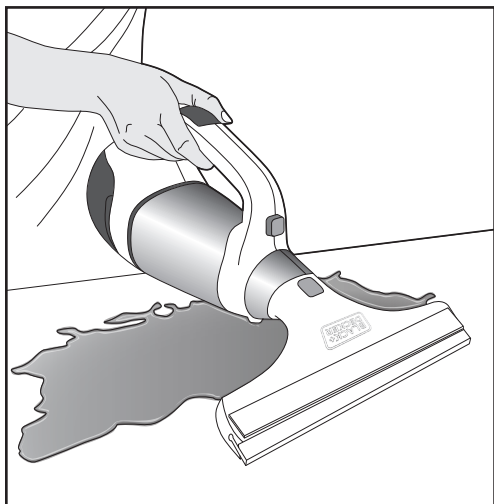


USE ON	VERWENDEN SIE AUF	UTILISEZ LE	UTILIZZARE SU	GEBRUIK OP	EL USO EN
USE EM	ANVÄNDNING PÅ	BRUK PÅ	BRUG OM	ΚΑΥΤΕΤΑΪΝ	ΧΡΗΣΗ ΓΙΑ



Windows	Fenster	Fenêtres	Finestre
Vensters	Ventanas	Janelas	Fönstren
Vinduene	Vinduer	Ikkunat	Παράθυρα

Showers	Duschen	Douches	Docce
Douches	Duchas	Chuveiros	Duschar
Dusjer	Brusere	Suihkut	Καταγιδες



**100 ml Max**

Spillages	Verschüttungen	Déversements	Fuoriuscite
Morsingen	Los derrames	Derrames	Spill
Søl	Spild	Vuodot	Οι διαροές

## Protecting the environment



Separate collection. This product must not be disposed of with normal household waste.

Should you find one day that your BLACK+DECKER product needs replacement, or if it is of no further use to you, do not dispose of it with household waste. Make this product available for separate collection.



Separate collection of used products and packaging allows materials to be recycled and used again. Re-use of recycled materials helps prevent environmental pollution and reduces the demand for raw materials.

Local regulations may provide for separate collection of electrical products from the household, at municipal waste sites or by the retailer when you purchase a new product.

BLACK+DECKER provides a facility for the collection and recycling of BLACK+DECKER products once they have reached the end of their working life. To take advantage of this service please return your product to any authorised repair agent who will collect them on our behalf.

You can check the location of your nearest authorised repair agent by contacting your local BLACK+DECKER office at the address indicated in this manual. Alternatively, a list of authorised BLACK+DECKER repair agents and full details of our after-sales service and contacts are available on the Internet at: [www.2helpU.com](http://www.2helpU.com)

## Available Accessories

	Cat No.
170mm Squeegee Head	WW100SA
170mm Squeegee Blade	WW170SB
280mm Squeegee Blade	WW280SB
2 x 170mm micro fibre pads	WW170MPA
2 x 280mm micro fibre pads	WW280MPA

## Technical data

WW100 Window Washer	
Voltage	3.6V
Battery	Lithium Ion
Weight	745g

## Guarantee

BLACK+DECKER is confident of the quality of its products and offers an outstanding guarantee. This guarantee statement is in addition to and in no way prejudices your statutory rights. The guarantee is valid within the territories of the Member States of the European Union and the European Free Trade Area.

If a Black & Decker product becomes defective due to faulty materials, workmanship or lack of conformity, within 24 months from the date of purchase, Black & Decker guarantees to replace defective parts, repair products subjected to fair wear and tear or replace such products to ensure minimum inconvenience to the customer unless:

- ◆ The product has been used for trade, professional or hire purposes;
- ◆ The product has been subjected to misuse or neglect;
- ◆ The product has sustained damage through foreign objects, substances or accidents;
- ◆ Repairs have been attempted by persons other than authorised repair agents or Black & Decker service staff.

To claim on the guarantee, you will need to submit proof of purchase to the seller or an authorised repair agent. You can check the location of your nearest authorised repair agent by contacting your local Black & Decker office at the address indicated in this manual. Alternatively, a list of authorised Black & Decker repair agents and full details of our after-sales service and contacts are available on the Internet at: [www.2helpU.com](http://www.2helpU.com)

Please visit our website [www.blackanddecker.co.uk](http://www.blackanddecker.co.uk) to register your new BLACK+DECKER product and to be kept up to date on new products and special offers. Further information on the BLACK+DECKER brand and our range of products is available at [www.blackanddecker.co.uk](http://www.blackanddecker.co.uk)

## Bestimmungsgemäße Verwendung

Ihre BLACK + DECKER™ WW100 Window Washer ist für Waschen Fenster und Nasssauger Reinigungszwecke konzipiert

## Sicherheitshinweise

### General power tool safety warnings



**Achtung! Lesen Sie sämtliche Sicherheitshinweise und Anweisungen.** Die Nichtbeachtung der nachstehend aufgeführten Warnungen und Anweisungen kann einen elektrischen Schlag, Brand und/oder schwere Verletzungen verursachen.



**Achtung!** Beachten Sie beim Umgang mit akkubetriebenen Geräten stets die grundlegenden Sicherheitshinweise, einschließlich der folgenden. Dadurch verhindern Sie weitgehend das Entstehen von Bränden, das Auslaufen von Akkus sowie Sach- und Personenschäden.

- ◆ Lesen Sie diese Anleitung vollständig und aufmerksam durch, bevor Sie das Gerät zum ersten Mal verwenden.
- ◆ Der vorgesehene Verwendungszweck ist in dieser Anleitung beschrieben. Bei Verwendung von Zubehör oder Anbauteilen, die nicht in dieser Anleitung empfohlen werden, sowie bei der Verwendung des Geräts in Abweichung von den in dieser Anleitung beschriebenen Verfahren besteht Verletzungsgefahr.
- ◆ Bewahren Sie diese Anleitung auf.

### Verwendung des Geräts

- ◆ Benutzen Sie das Gerät nicht zum Aufsaugen von Flüssigkeiten oder entzündlichen Materialien.
- ◆ Ziehen Sie das Ladegerät nicht am Kabel aus der Netzsteckdose. Achten Sie darauf, dass das Kabel des Ladegeräts nicht in Kontakt mit starker Hitze, Öl oder scharfen Gegenständen kommt.
- ◆ Das Gerät ist nicht für die unbeaufsichtigte Verwendung durch Kinder oder gebrechliche Personen vorgesehen. Kinder müssen beaufsichtigt werden, um sicherzustellen, dass sie nicht mit dem Gerät spielen.

### Nach dem Gebrauch

- ◆ Ziehen Sie das Ladegerät aus der Netzsteckdose, bevor Sie das Ladegerät oder die Ladestation reinigen.
- ◆ Bewahren Sie das Gerät bei Nichtgebrauch an einem trockenen Ort auf.
- ◆ Kinder sollten keinen Zugang zu aufbewahrten Geräten haben.

## Inspection and repairs

- ◆ Prüfen Sie das Gerät vor der Verwendung auf beschädigte oder defekte Teile. Prüfen Sie, ob Teile gebrochen sind, Schalter beschädigt wurden oder andere Bedingungen vorliegen, die die Funktion beeinträchtigen können.
- ◆ Betreiben Sie das Gerät nicht, wenn ein Teil beschädigt oder defekt ist.
- ◆ Lassen Sie beschädigte oder defekte Teile in einer Vertragswerkstatt reparieren oder austauschen.
- ◆ Überprüfen Sie das Ladegerätkabel in regelmäßigen Abständen auf Beschädigungen. Tauschen Sie das Ladegerät aus, wenn das Kabel beschädigt oder defekt ist.
- ◆ Ersetzen oder entfernen Sie keine Teile, für die in dieser Anleitung keine entsprechende Beschreibung enthalten ist.

## Zusätzliche Sicherheitshinweise für Akkus und Ladegeräte

### Akkus

- ◆ Auf keinen Fall öffnen.
- ◆ Achten Sie darauf, dass der Akku nicht mit Wasser in Berührung kommt.
- ◆ Setzen Sie den Akku keinen hohen Temperaturen aus.
- ◆ Nicht bei Temperaturen über 40°C lagern.
- ◆ Laden Sie den Akku ausschließlich bei Umgebungstemperaturen zwischen 10°C und 40°C.
- ◆ Verwenden Sie ausschließlich das mit dem Gerät gelieferte Ladegerät. Das Verwenden des falschen Ladegeräts kann zu einem Stromschlag oder dem Überhitzen des Akkus führen.
- ◆ Bei der Entsorgung von Akkus oder Batterien die Hinweise im Abschnitt „Umweltschutz“ beachten.
- ◆ Der Akku darf nicht durch mechanische Krafteinwirkung oder Belastungen beschädigt oder verformt werden. Andernfalls besteht Verletzungs- und Brandgefahr.
- ◆ Laden Sie beschädigte Akkus nicht auf.
- ◆ Unter extremen Bedingungen können Akkus undicht werden. Wenn Sie feststellen, dass aus dem Akku Flüssigkeit austritt, wischen Sie diese vorsichtig mit einem Tuch ab. Vermeiden Sie Hautkontakt.
- ◆ Beachten Sie nach Haut- oder Augenkontakt die folgenden Hinweise.

**Achtung!** Batteriesäure kann Sach- oder Personenschäden verursachen. Spülen Sie die Säure nach Hautkontakt sofort mit Wasser ab. Suchen Sie einen Arzt auf, wenn sich auf der Haut Rötungen, Reizungen oder andere Irritationen zeigen. Spülen Sie das Auge nach Augenkontakt sofort mit sauberem Wasser aus, und suchen Sie einen Arzt auf.

## Ladegeräte

Das Ladegerät ist für eine bestimmte Spannung ausgelegt. Stellen Sie sicher, dass die Netzspannung der auf dem Typenschild des Geräts angegebenen Spannung entspricht.

**Achtung!** Ersetzen Sie das Ladegerät keinesfalls durch ein normales Netzkabel.

- ◆ Verwenden Sie das BLACK+DECKER Ladegerät nur für den Akku des Geräts, mit dem es geliefert wurde. Andere Akkus könnten platzen und Sachschäden oder Verletzungen verursachen.
- ◆ Versuchen Sie keinesfalls, nicht aufladbare Batterien zu laden.
- ◆ Ist das Netzkabel beschädigt, muss es durch den Hersteller oder eine BLACK+DECKER Vertragswerkstatt ausgetauscht werden, um eine mögliche Gefährdung zu vermeiden.
- ◆ Achten Sie darauf, dass das Ladegerät nicht mit Wasser in Berührung kommt.
- ◆ Versuchen Sie nicht, das Ladegerät zu öffnen.
- ◆ Nehmen Sie am Ladegerät keine Veränderungen vor.
- ◆ Während das Gerät/der Akku geladen wird, muss auf ausreichende Belüftung geachtet werden.

## Sicherheit anderer Personen

- ◆ Dieses Gerät darf nicht von Personen (einschließlich Kindern) mit eingeschränkten körperlichen, sensorischen oder geistigen Fähigkeiten sowie mangelnder Erfahrung und Kenntnissen bedient werden, es sei denn, sie werden bei der Verwendung des Geräts von einer erfahrenen Person beaufsichtigt oder angeleitet.
- ◆ Kinder müssen beaufsichtigt werden, um sicherzustellen, dass sie nicht mit dem Gerät spielen.

## Restrisiken.

Für den Gebrauch dieses Geräts verbleiben zusätzliche Restrisiken, die möglicherweise nicht in den Sicherheitswarnungen genannt werden. Diese Risiken bestehen beispielsweise bei Missbrauch oder längerem Gebrauch. Auch bei der Einhaltung der entsprechenden Sicherheitsvorschriften und der Verwendung aller Sicherheitsgeräte bestehen weiterhin bestimmte Restrisiken. Diese werden im Folgenden aufgeführt:

- ◆ Verletzungen, die durch das Berühren von sich drehenden/bewegenden Teilen verursacht werden.
- ◆ Verletzungen, die durch das Austauschen von Teilen, Messern oder Zubehör verursacht werden.
- ◆ Verletzungen, die durch längeren Gebrauch eines Geräts verursacht werden. Legen Sie bei längerem Gebrauch regelmäßige Pausen ein.
- ◆ Beeinträchtigung des Gehörs.
- ◆ Gesundheitsrisiken durch das Einatmen von Staub bei Verwendung des Geräts (z. B. bei Holzarbeiten, insbesondere Eiche, Buche und Pressspan).

## Electrical safety

Das Ladegerät ist für eine bestimmte Spannung ausgelegt. Stellen Sie sicher, dass die Netzspannung der auf dem Typenschild des Geräts angegebenen Spannung entspricht. Ersetzen Sie das Ladegerät keinesfalls durch ein normales Netzkabel.



Ihr Ladegerät ist doppelt isoliert; kein Schutzleiter ist daher erforderlich. Prüfen Sie stets, dass die Netzspannung mit der Spannung auf dem Typenschild. Niemals versuchen, den Adapter-Einheit mit einer normalen Netzstecker auszutauschen.

## Symbole auf dem Ladegerät



Kurzschlussfest Sicherheitstransformator.



SMPS



Die Ladestation ist nur für den Gebrauch in Gebäuden vorgesehen.

## Labels on appliance



Lesen Sie die gesamte Bedienungsanleitung, bevor Sie das Gerät benutzen



Mit Ladegerät SSA-GP-05 Verwenden Sie nur

LED Muster Laden	
	Laden
	Batteriefehler

LED-Muster im Einsatz	
	Akku fast leer
	Batterie leer

## Diagnose des Akkus

Wenn das Gerät einen schwachen Akku feststellt, blinkt die Ladeanzeige (3) beim Drücken des Ein-/Ausschalters in schneller Folge auf. Gehen Sie folgendermaßen vor:

- ◆ Setzen Sie das Gerät in die Ladestation ein.
- ◆ Schließen Sie das Ladegerät an eine Netzsteckdose an. Schalten Sie ggf. die Netzstromversorgung ein.
- ◆ Warten Sie, bis das Gerät aufgeladen ist.

Wenn das Gerät einen beschädigten Akku feststellt, blinkt die Ladeanzeige in schneller Folge auf, wenn sich das Gerät in der Ladestation befindet. Gehen Sie folgendermaßen vor:

- ◆ Lassen Sie das Gerät und die Ladestation von einer autorisierten Vertragswerkstatt überprüfen.

**Hinweis: Es kann bis zu 60 Minuten dauern, bis sich herausstellt, ob der Akku tatsächlich defekt ist. Falls der Akku zu warm oder zu kalt sein sollte, blinkt die LED-Anzeige abwechselnd langsam und schnell. Die Anzeige blinkt hierbei einmal langsam, einmal schnell. Danach wiederholt sich der Vorgang.**

## Umweltschutz



Getrennte Entsorgung. Dieses Produkt darf keinesfalls mit dem Hausmüll entsorgt werden.

Sollten Sie Ihr Black & Decker Produkt eines Tages ersetzen oder nicht mehr benötigen, entsorgen Sie es nicht mit dem Hausmüll. Führen Sie das Produkt einer getrennten Sammlung zu.



Durch die getrennte Sammlung von ausgedienten Produkten und Verpackungsmaterialien können Rohstoffe recycelt und wiederverwendet werden. Die Wiederverwendung aufbereiteter Materialien trägt zur Vermeidung der Umweltverschmutzung bei und senkt den Rohstoffbedarf.

Die Verordnung zur Abfallentsorgung Ihrer Gemeinde sieht möglicherweise vor, dass Elektrogeräte getrennt vom Hausmüll gesammelt, an der örtlichen Abfallentsorgungseinrichtung abgegeben oder beim Kauf eines neuen Produkts vom Fachhandel zur Entsorgung angenommen werden müssen.

Black & Decker nimmt Ihre ausgedienten Black & Decker Geräte gern zurück und sorgt für eine umweltfreundliche Entsorgung bzw. Wiederverwertung. Um diese Dienstleistung in Anspruch zu nehmen, geben Sie das Gerät bitte bei einer autorisierten Reparaturwerkstatt ab, die für uns die Einsammlung übernimmt.

Bitte fragen Sie Ihre zuständige Black & Decker Niederlassung (Adresse in dieser Anleitung) nach einer Vertragswerkstatt in Ihrer Nähe. Eine Liste der Vertragswerkstätten und aller Kundendienststellen von Black & Decker sowie der zuständigen Ansprechpartner finden Sie auch im Internet unter: [www.2helpU.com](http://www.2helpU.com)

## Lieferbar Zubehör

Cat No.	
170mm Squeegee Head	WW100SA
170 mm Raketkopf	WW170SB
280mm Kassette Wasserschieber	WW280SB
2 x 170mm Mikrofaser-Pads	WW170MPA
2 x 280mm Mikrofaser-Pads	WW280MPA

## Technische Daten

WW100 Fensterputzer	
Spannung	3.6V
Akku	Lithium Ion
Gewicht	745g

## Garantie

Black & Decker vertraut auf die Qualität der eigenen Geräte und bietet dem Käufer eine außergewöhnliche Garantie. Diese Garantiezusage versteht sich unbeschadet der gesetzlichen Gewährleistungsansprüche und schränkt diese keinesfalls ein. Sie gilt in sämtlichen Mitgliedstaaten der Europäischen Union und der Europäischen Freihandelszone EFTA.

Tritt innerhalb von 24 Monaten ab Kaufdatum an einem Gerät von Black & Decker ein auf Material- oder Verarbeitungsfehler zurückzuführender Mangel auf, garantiert Black & Decker den Austausch defekter Teile, die Reparatur von Geräten mit üblichem Verschleiß bzw. den Austausch eines mangelhaften Gerätes, ohne den Kunden dabei mehr als unbedingt nötig in Anspruch zu nehmen, allerdings vorbehaltlich folgender Ausnahmen:

- ◆ wenn das Gerät gewerblich, beruflich oder im Verleihegeschäft benutzt wurde;
- ◆ wenn das Gerät missbräuchlich verwendet oder mit mangelnder Sorgfalt behandelt wurde;
- ◆ wenn das Gerät durch irgendwelche Fremdeinwirkung beschädigt wurde;
- ◆ wenn ein unbefugter Reparaturversuch durch anderes Personal als das einer Vertragswerkstatt oder des Black & Decker Kundendienstes unternommen wurde.

Zur Inanspruchnahme dieser Garantie ist dem Verkäufer bzw. der Vertragswerkstatt ein Kaufnachweis vorzulegen. Die Adresse der zuständigen Niederlassung von Black & Decker steht in dieser Anleitung. Dort teilt man Ihnen gerne die nächstgelegene Vertragswerkstatt mit. Eine Liste der Vertragswerkstätten und aller Kundendienststellen von Black & Decker sowie der zuständigen Ansprechpartner finden Sie auch im Internet unter: [www.2helpU.com](http://www.2helpU.com)

Bitte besuchen Sie unsere Website [www.blackanddecker.de](http://www.blackanddecker.de), um Ihr neues BLACK+DECKER Produkt zu registrieren. Dort erhalten Sie auch Informationen über neue Produkte und Sonderangebote. Weitere Informationen über die Marke BLACK+DECKER und unsere Produkte finden Sie unter [www.blackanddecker.de](http://www.blackanddecker.de).

## Utilisation

Votre BLACK + DECKER™ WW100 Laveur de carreaux a été conçu pour le lavage de vitres et humides fins de nettoyage par le vide

## Consignes de sécurité

### Avertissements de sécurité de l'outil de puissance général



**Attention ! Lisez avec attention tous les avertissements et toutes les instructions.** Le non-respect de cette consigne peut entraîner une électrocution, un incendie et/ou de graves blessures.



**Attention!** De simples précautions de sécurité sont à prendre pour l'utilisation d'appareil alimenté par pile. Les conseils suivants doivent toujours être appliqués, ceci afin de réduire le risque d'incendie, les fuites de pile, les blessures et les dommages matériels.

- ◆ Lisez attentivement le manuel complet avant d'utiliser l'appareil.
- ◆ Ce manuel décrit la manière d'utiliser cet appareil. L'utilisation d'un accessoire ou d'une fixation, ou bien l'utilisation de cet appareil à d'autres fins que celles recommandées dans ce manuel d'instruction peut présenter un risque de blessures.
- ◆ Gardez ce manuel pour référence ultérieure.

### Utilisation de votre appareil

- ◆ N'utilisez pas cet appareil pour aspirer des liquides ou des matériaux qui pourraient prendre feu.
- ◆ Ne tirez jamais sur le fil du chargeur pour le débrancher. Maintenez le fil du chargeur éloigné de toute source de chaleur, de zones grasses et de bords tranchants.
- ◆ Cet appareil n'est pas destiné à être utilisé par des personnes jeunes ou déficientes sans surveillance. Afin d'éviter que les enfants jouent avec cet appareil, ne le laissez pas sans surveillance.

### Après l'utilisation

- ◆ Débranchez le chargeur pour le nettoyer ou pour nettoyer la base.
- ◆ Quand il n'est pas utilisé, l'appareil doit être rangé dans un endroit sec.
- ◆ Les enfants ne doivent pas avoir accès aux appareils rangés.

## Vérification et réparations

- ◆ Avant l'utilisation, vérifiez l'état de l'appareil ou des pièces. Recherchez des pièces cassées, des boutons endommagés et d'autres anomalies susceptibles de nuire au bon fonctionnement de l'appareil.
- ◆ N'utilisez pas l'appareil si une pièce est endommagée ou défectueuse.
- ◆ Faites réparer ou remplacer les pièces défectueuses ou endommagées par un réparateur agréé.
- ◆ Vérifiez régulièrement l'état du fil du chargeur. Si le fil est endommagé ou défectueux, remplacez le chargeur.
- ◆ Ne tentez jamais de retirer ou de remplacer des pièces autres que celles citées dans ce manuel.

### Consignes de sécurité supplémentaires – batteries et chargeurs

#### Batteries

- ◆ En aucun cas, n'essayez d'ouvrir l'appareil.
- ◆ Ne mettez pas la batterie en contact avec l'eau.
- ◆ N'approchez pas la batterie d'une source de chaleur.
- ◆ Ne le rangez pas dans des endroits où la température peut dépasser 40 °C.
- ◆ Ne chargez qu'à température ambiante comprise entre 10°C et 40 °C.
- ◆ N'utilisez que le chargeur fournis avec l'appareil/outil. Le non respect de cette consigne pourrait entraîner un électrotraumatisme ou une surchauffe de la batterie.
- ◆ Pour la mise au rebut des batteries, suivez les instructions données dans la section "Protection de l'environnement".
- ◆ Ne déformez/n'endommagez pas le bloc batterie en le perçant ou en le cognant, ceci pourrait entraîner des blessures et un incendie.
- ◆ Ne chargez pas les batteries endommagées.
- ◆ Dans des conditions extrêmes, une batterie peut couler. Si vous détectez une fuite, utilisez un chiffon pour essuyer le liquide avec précaution. Évitez tout contact avec la peau.
- ◆ En cas de contact avec la peau ou les yeux, suivez les instructions ci-dessous.

**Attention !** Le liquide de batterie peut provoquer des blessures ou des dommages. En cas de contact avec la peau, rincez immédiatement à l'eau. Si des rougeurs, une douleur ou une irritation se produisent, consultez un médecin. En cas de contact avec les yeux, rincez à l'eau et consultez immédiatement un médecin.

#### Chargeurs

Votre chargeur doit être utilisé avec une tension spécifique. Vérifiez toujours si la tension indiquée sur la plaque signalétique de l'appareil correspond à la tension de secteur.

**Attention!** N'essayez jamais de remplacer le chargeur par une prise secteur.



- ◆ N'utilisez votre chargeur BLACK+DECKER que pour charger la batterie fournie avec l'appareil/outil. D'autres batteries pourraient exploser, provoquant des blessures et des dommages.
- ◆ Ne tentez jamais de recharger des batteries non rechargeables.
- ◆ Si le câble d'alimentation est endommagé, il doit être remplacé par le fabricant ou par un Centre de réparation BLACK+DECKER agréé pour éviter tout danger.
- ◆ Ne mettez pas le chargeur en contact avec l'eau.
- ◆ N'ouvrez pas le chargeur.
- ◆ Ne testez pas le chargeur.
- ◆ Pour le rechargement, placez l'appareil/outil/batterie dans un endroit correctement aéré.

### Sécurité des personnes

- ◆ Cet appareil ne doit pas être utilisé par des personnes (y compris les enfants) ayant des déficiences physiques, mentales ou sensorielles. Cette consigne s'applique aussi aux personnes manquant d'expérience et de connaissance du matériel, à moins que celles-ci n'aient reçu les instructions appropriées ou qu'elles ne soient encadrées par une personne responsable de leur sécurité pour utiliser l'appareil.
- ◆ Ne laissez jamais les enfants sans surveillance pour éviter qu'ils ne jouent avec cet outil.

### Risques résiduels..

L'utilisation d'un outil non mentionné dans les consignes de sécurité données peut entraîner des risques résiduels supplémentaires. Ces risques peuvent survenir si l'outil est mal utilisé, si l'utilisation est prolongée, etc. Malgré l'application des normes de sécurité correspondantes et la présence de dispositifs de sécurité, les risques résiduels suivants ne peuvent être évités. Ceci comprend :

- ◆ Les blessures dues au contact avec une pièce mobile/ en rotation.
- ◆ Les blessures causées en changeant des pièces, lames ou accessoires.
- ◆ Les blessures dues à l'utilisation prolongée d'un outil. Une utilisation prolongée de l'outil nécessite des pauses régulières.
- ◆ Déficience auditive.
- ◆ Risques pour la santé causés par l'inhalation de poussières produites pendant l'utilisation de l'outil (exemple : travail avec du bois, surtout le chêne, le hêtre et les panneaux en MDF).

### Sécurité électrique

Votre chargeur doit être utilisé avec une tension spécifique. Vérifiez toujours si la tension indiquée sur la plaque signalétique de l'appareil correspond à la tension de secteur.

N'essayez jamais de remplacer le chargeur par une prise secteur.



Cet outil est doublement isolé. Par conséquent, aucun câble de mise à la terre n'est nécessaire. Vérifiez si l'alimentation mentionnée sur la plaque signalétique de l'outil correspond bien à la tension présente sur le lieu.

### Symboles sur le chargeur



Court-circuit de sécurité preuve transformateur d'isolement.



SMPS



La base de chargement ne peut être utilisée qu'à l'intérieur.

### Les étiquettes apposées sur l'appareil



Lisez ce manuel attentivement avant d'utiliser l'appareil



Utilisez uniquement avec chargeur SSA-GP-05

Patterns LED de charge	
	Chare
	Panne de la batterie

Patterns LED dans l'utilisation	
	Batterie faible
	Batterie Vide

## Diagnostique de batterie

Si l'appareil détecte une batterie faible, le témoin de charge (3) clignote rapidement en appuyant sur le bouton marche/arrêt (1). Procédez comme suit :

- ◆ Placez l'appareil sur la base de charge (7).
- ◆ Branchez le chargeur. Branchez au secteur.
- ◆ Laissez l'appareil en charge.

Si l'appareil détecte une batterie endommagée, le témoin de charge (3) clignote rapidement quand l'appareil est sur la base du chargeur. Procédez comme suit :

- ◆ Demandez à un centre de réparation autorisé de tester le chargeur et l'appareil.

**Remarque : la détection de la défaillance peut prendre jusqu'à 60 minutes. Si la batterie est trop chaude ou trop froide, le témoin alterne un clignotement lent, puis un clignotement rapide et ainsi de suite.**

## Protection de l'environnement



Recyclage. Cet appareil ne doit pas être jeté avec les déchets ménagers.

Si votre appareil/outil BLACK+DECKER doit être remplacé ou si vous ne l'utilisez plus, ne le jetez pas avec les ordures ménagères. Songez à la protection de l'environnement et recyclez-le.



La collecte séparée des produits et des emballages usagés permet de recycler et de réutiliser des matériaux. La réutilisation de matériaux recyclés évite la pollution de l'environnement et réduit la demande de matières premières.

Des réglementations locales peuvent stipuler la collecte séparée des produits électriques et des produits ménagers, dans des déchetteries municipales ou par le revendeur lorsque vous achetez un nouveau produit.

BLACK+DECKER offre une solution permettant de recycler les produits BLACK+DECKER lorsqu'ils ont atteint la fin de leur cycle de vie. Pour pouvoir profiter de ce service, veuillez retourner votre produit à un réparateur agréé qui se chargera de le collecter pour nous.

Pour connaître l'adresse du réparateur agréé le plus proche de chez vous, contactez le bureau BLACK+DECKER à l'adresse indiquée dans ce manuel. Vous pourrez aussi trouver une liste de réparateurs agréés de BLACK+DECKER et de plus amples détails sur notre service après-vente sur le site Internet à l'adresse suivante : [www.2helpU.com](http://www.2helpU.com)

## Accessoires disponibles

Cat No.	
170mm Raclette Head	WW100SA
170mm Squeegee Blade	WW170SB
280mm Raclette lame	WW280SB
2 x 170mm pads en microfibres	WW170MPA
2 x 280mm pads en microfibres	WW280MPA

## Caractéristiques techniques

WW100 Laveur de carreaux	
Tension	3.6V
Batterie	Lithium Ion
Poids	745g

## Garantie

Black & Decker assure la qualité de ses produits et vous offre une garantie très large. Ce certificat de garantie est un document supplémentaire et ne peut en aucun cas se substituer à vos droits légaux. La garantie est valable sur tout le territoire des États Membres de l'Union Européenne et de la Zone de Libre Échange Européenne.

Si un produit Black & Decker s'avère défectueux en raison de matériaux en mauvaises conditions, d'une erreur humaine, ou d'un manque de conformité dans les 24 mois suivant la date d'achat, Black & Decker garantit le remplacement des pièces défectueuses, la réparation des produits usés ou cassés ou remplace ces produits à la convenance du client, sauf dans les circonstances suivantes :

- ◆ Le produit a été utilisé dans un but commercial, professionnel, ou a été loué;
- ◆ Le produit a été mal utilisé ou utilisé avec négligence;
- ◆ Le produit a subi des dommages à cause d'objets étrangers, de substances ou à cause d'accidents;
- ◆ Des réparations ont été tentées par des techniciens ne faisant pas partie du service technique de Black & Decker.

Pour avoir recours à la garantie, il est nécessaire de fournir une preuve d'achat au vendeur ou à un réparateur agréé.

Pour connaître l'adresse du réparateur agréé le plus proche de chez vous, contactez le bureau Black & Decker à l'adresse indiquée dans ce manuel. Vous pourrez aussi trouver une liste de réparateurs agréés Black & Decker et de plus amples détails sur notre service après-vente sur le site Internet à l'adresse suivante : [www.2helpU.com](http://www.2helpU.com)

Visitez notre site Web [www.blackanddecker.fr](http://www.blackanddecker.fr) pour enregistrer votre nouveau produit BLACK+DECKER et être informé des nouveaux produits et des offres spéciales. Pour plus d'informations concernant la marque BLACK+DECKER et notre gamme de produits, consultez notre site [www.blackanddecker.fr](http://www.blackanddecker.fr)

## Uso previsto

Il tuo NERO + DECKER™ WW100 Window Washer è stato progettato per le finestre di lavaggio e la pulizia di vuoto bagnato

## Istruzioni di sicurezza

### Avvisi di sicurezza strumento generale di alimentazione



**Attenzione! Leggere tutti gli avvisi di sicurezza e tutte le istruzioni.** La mancata osservanza dei presenti avvisi e istruzioni potrebbe causare scosse elettriche, incendi e/o infortuni gravi.



**Avvertenza!** Quando si usano elettrodomestici alimentati a batteria, osservare sempre le normali precauzioni di sicurezza per ridurre il rischio di incendio, di perdita di liquido dalle batterie, di lesioni personali e di danni materiali.

- ◆ Leggere attentamente il presente manuale prima di usare l'elettrodomestico.
- ◆ L'uso previsto è descritto nel presente manuale. Se questo elettrodomestico viene usato con accessori o per usi diversi da quelli raccomandati nel presente manuale d'uso, si potrebbero verificare lesioni personali.
- ◆ Conservare il presente manuale per futura consultazione.

### Utilizzo dell'elettrodomestico

- ◆ Non usare l'elettrodomestico per aspirare liquidi o materiali che potrebbero incendiarsi.
- ◆ Non tirare mai il filo per scollegare l'alimentatore dalla presa di corrente. Tenere il filo dell'alimentatore lontano da calore, olio e bordi taglienti.
- ◆ Questo apparecchio non è destinato all'uso da parte di persone giovani o disabili senza supervisione. I bambini devono essere sorvegliati per assicurarsi che non giochino con l'apparecchio.

### Dopo l'impiego

- ◆ Scollegare l'alimentatore dalla presa di corrente prima di pulire sia l'alimentatore sia la base di carica.
- ◆ Quando non è usato, l'elettrodomestico deve essere conservato in un luogo asciutto.
- ◆ Gli elettrodomestici non devono essere riposti alla portata dei bambini.

## Ispezione e riparazioni

- ◆ Prima dell'impiego, controllare che l'elettrodomestico non sia danneggiato e non presenti parti difettose. Controllare che non vi siano parti rotte, che gli interruttori non siano danneggiati e che non vi siano altre condizioni che potrebbero avere ripercussioni sulle prestazioni.
- ◆ Non usare l'elettrodomestico se alcune parti sono danneggiate o difettose.
- ◆ Far riparare o sostituire le parti danneggiate o difettose da un tecnico autorizzato.
- ◆ Controllare a intervalli regolari che il filo dell'alimentatore non sia danneggiato. Sostituire l'alimentatore se il filo è danneggiato o difettoso.
- ◆ Non tentare di smontare o sostituire qualsiasi parte ad eccezione di quelle specificate nel presente manuale

## Istruzioni di sicurezza aggiuntive per batterie e alimentatori

### Batterie

- ◆ Non tentare di aprirle per qualsiasi ragione.
- ◆ Non lasciare che la batteria si bagni.
- ◆ Non esporre la batteria al calore.
- ◆ Non riporre in luoghi dove la temperatura potrebbe superare i 40°C.
- ◆ Caricare solo a temperature ambiente tra 10°C e 40°C.
- ◆ Caricare solo usando l'alimentatore fornito con l'apparecchio/elettrodomestico. L'utilizzo dell'alimentatore sbagliato potrebbe causare scosse elettriche o il surriscaldamento della batteria.
- ◆ Quando si smaltiscono le batterie, seguire le istruzioni riportate al capitolo "Protezione dell'ambiente".
- ◆ Non danneggiare/deformare il battery pack forandolo o colpendolo per evitare il rischio di lesioni o di incendio.
- ◆ Non caricare le batterie danneggiate.
- ◆ In condizioni estreme, si potrebbe verificare la perdita di liquido dalle batterie. Se si nota la presenza di liquido sulle batterie, pulirle con attenzione con uno straccio. Evitare il contatto con l'epidermide.
- ◆ In caso di contatto con l'epidermide o gli occhi, seguire le istruzioni riportate di seguito.

**Avvertenza!** Il liquido della batteria può causare lesioni alle persone o danni alle cose. In caso di contatto con la pelle, risciacquare immediatamente con acqua. In caso di rossore, dolore o irritazione, rivolgersi immediatamente a un medico. In caso di contatto con gli occhi, risciacquarli immediatamente con acqua pulita e consultare un medico.

### Alimentatori

L'alimentatore è stato progettato per una tensione specifica. Controllare sempre che la tensione di rete corrisponda alla tensione indicata sulla targhetta dei dati tecnici.

**Attenzione!** Non tentare mai di sostituire l'alimentatore con una normale spina elettrica.

- ◆ Usare l'alimentatore BLACK+DECKER solo per caricare la batteria nell'apparecchio/elettrodomestico con il quale è stato fornito. Altre batterie potrebbero scoppiare causando lesioni alle persone e danni.
- ◆ Non tentare mai di caricare batterie non ricaricabili.
- ◆ In caso di danneggiamento del filo di alimentazione, è necessario farlo riparare dal fabbricante o presso un centro assistenza Black & Decker autorizzato in modo da evitare eventuali pericoli.
- ◆ Non lasciare che l'alimentatore si bagni.
- ◆ Non aprire l'alimentatore.
- ◆ Non collegare l'alimentatore a sonde.
- ◆ L'apparecchio/elettrodomestico/batteria devono essere lasciati in una zona ben ventilata durante la carica.

### Sicurezza altrui

- ◆ Questo elettrodomestico non è stato progettato per impiego da parte di persone (o bambini) portatrici di handicap fisici, psichici o sensoriali o che non abbiano la dovuta esperienza o conoscenza, a meno che non siano seguite o opportunamente istruite sul suo impiego da parte di una persona responsabile della loro sicurezza.
- ◆ Controllare che i bambini non giochino con l'elettrodomestico.

### Rischi residui.

Quando si usa l'elettrodomestico, possono esservi altri rischi residui che possono non essere stati contemplati negli avvisi di sicurezza allegati. Tali rischi possono sorgere a seguito di un uso prolungato o improprio, ecc.

Perfino adottando gli appositi regolamenti di sicurezza e utilizzando i dispositivi di sicurezza, certi rischi residui non possono essere evitati. Essi comprendono:

- ◆ Lesioni causate o subite a seguito del contatto con parti rotanti/in movimento.
- ◆ Lesioni causate o subite durante la sostituzione di parti, lame o accessori.
- ◆ Lesioni causate dall'impiego prolungato di un elettrodomestico. Quando si usa qualsiasi elettrodomestico per lunghi periodi, accertarsi di fare regolarmente delle pause.
- ◆ Problemi di udito.
- ◆ Rischi per la salute causati dall'aspirazione di polvere generata dall'utilizzo dell'elettrodomestico (ad esempio quando si lavora con il legno, in modo particolare quello di quercia, faggio o l'MDF.).

### Sicurezza elettrica

L'alimentatore è stato progettato per una tensione specifica. Controllare sempre che la tensione di rete corrisponda alla tensione indicata sulla targhetta dei dati tecnici. Non tentare mai di sostituire l'alimentatore con una normale spina elettrica.



Il doppio isolamento di cui è provvisto l'elettrodomestico rende superfluo il filo di terra. Controllare sempre che l'alimentazione corrisponda alla tensione indicata sulla targhetta dei dati tecnici.

### Symbols on Charger



Corto circuito di sicurezza a prova di trasformatore di isolamento.



SMPS



La base di ricarica è intesa esclusivamente per uso interno.

### Simboli sull'alimentatore



Leggi tutto questo manuale prima di utilizzare l'apparecchio



Utilizzare solo con il caricatore SSA-GP-05

### Patterns LED di ricarica

	Di ricarica
	Di guasto Batteria

### Patterns LED In uso

	Batteria scarica
	Batteria scarica La

### Diagnostica della batteria

Se l'elettrodomestico rileva che la batteria è quasi scarica, fa lampeggiare velocemente in rosso l'indicatore di carica quando il pulsante di accensione è premuto. Procedere come descritto di seguito:

- ◆ Appoggiare l'elettrodomestico sulla base di carica.
- ◆ Collegare l'alimentatore alla presa di corrente. Accendere l'alimentazione di rete.
- ◆ Lasciare che l'elettrodomestico si ricarichi.

Se l'elettrodomestico rileva che la batteria è danneggiata, fa lampeggiare velocemente in rosso l'indicatore di carica quando l'elettrodomestico si trova sulla base di carica. Procedere come descritto di seguito:

- ◆ Portare l'elettrodomestico e l'alimentatore presso un centro di assistenza autorizzato per essere sottoposti a controllo.

### Protezione dell'ambiente



Raccolta differenziata. Questo prodotto non deve essere smaltito con i normali rifiuti domestici.

Nel caso in cui l'elettrodomestico BLACK+DECKER debba essere sostituito o non sia più necessario, non smaltirlo con i normali rifiuti domestici. Metterlo da parte per la raccolta differenziata.



La raccolta differenziata dei prodotti e degli imballaggi utilizzati consente il riciclaggio dei materiali e il loro continuo utilizzo. Il riutilizzo dei materiali riciclati favorisce la protezione dell'ambiente prevenendo l'inquinamento e riduce il fabbisogno di materie prime.

Seguire la regolamentazione locale per la raccolta differenziata dei prodotti elettrici che può prevedere punti di raccolta o la consegna dell'elettrodomestico al rivenditore presso il quale viene acquistato un nuovo prodotto.

BLACK+DECKER offre ai propri clienti la possibilità di riciclare i prodotti BLACK+DECKER che hanno esaurito la loro vita di servizio. Per usufruire di tale servizio, è sufficiente restituire il prodotto a qualsiasi tecnico autorizzato, incaricato della raccolta per conto dell'azienda.

Per individuare il tecnico autorizzato più vicino, rivolgersi alla sede BLACK+DECKER locale, presso il recapito indicato nel presente manuale. Altrimenti, un elenco completo di tutti i tecnici autorizzati BLACK+DECKER e i dettagli completi sui contatti e i servizi post-vendita sono disponibili su Internet all'indirizzo: [www.2helpU.com](http://www.2helpU.com)

### ACCESSORI DISPONIBILI

Cat No.	
170mm tergipavimento capo	WW100SA
170mm tergipavimento lama	WW170SB
280mm tergipavimento lama	WW280SB
2 x 170mm cuscinetti in microfibra	WW170MPA
2 x 280mm cuscinetti in microfibra	WW280MPA

### Dati tecnici

WW100 Window Washer	
Tensione	3.6V
Batteria	Lithium Ion
Peso	745g

## Garanzia

Certa della qualità dei suoi prodotti, Black & Decker offre una garanzia eccezionale. Il presente certificato di garanzia è complementare ai diritti legali e non li pregiudica in alcun modo. La garanzia è valida entro il territorio degli Stati membri dell'Unione Europea e dell'EFTA (European Free Trade Area).

Se un prodotto Black & Decker risulta difettoso per qualità del materiale, della costruzione o per mancata conformità entro 24 mesi dalla data di acquisto, Black & Decker garantisce la sostituzione delle parti difettose, provvede alla riparazione dei prodotti se ragionevolmente usurati oppure alla loro sostituzione, in modo da ridurre al minimo il disagio del cliente a meno che:

- ◆ il prodotto non sia stato destinato a usi commerciali, professionali o al noleggio;
- ◆ il prodotto non sia stato usato in modo improprio o scorretto;
- ◆ il prodotto non abbia subito danni causati da oggetti o sostanze estranee oppure incidenti;
- ◆ il prodotto non abbia subito tentativi di riparazione non effettuati da tecnici autorizzati né dall'assistenza Black & Decker.

Per attivare la garanzia è necessario esibire la prova di acquisto al venditore o al tecnico autorizzato. Per individuare il tecnico autorizzato più vicino, rivolgersi alla sede Black & Decker locale, presso il recapito indicato nel presente manuale. Altrimenti, un elenco completo di tutti i tecnici autorizzati Black & Decker e i dettagli completi sui contatti e i servizi post-vendita sono disponibili su Internet all'indirizzo: [www.2helpU.com](http://www.2helpU.com)

I clienti che desiderano registrare il nuovo prodotto BLACK+DECKER e ricevere gli aggiornamenti sui nuovi prodotti e le offerte speciali, sono invitati a visitare il sito Web ([www.blackanddecker.it](http://www.blackanddecker.it)). Ulteriori informazioni sul marchio e la gamma di prodotti BLACK+DECKER sono disponibili all'indirizzo [www.blackanddecker.it](http://www.blackanddecker.it).

## Beoogd gebruik

Uw BLACK + DECKER™ WW100 Window Washer is ontworpen voor het wassen van ramen en nat stofzuigen doeleinden

## Veiligheidsinstructies

### Algemene elektrisch gereedschap veiligheidsaanschuivingen



**Waarschuwing! Lees alle veiligheidsaanschuivingen en alle instructies.** Wanneer de volgende waarschuwingen en voorschriften niet in acht worden genomen, kan dit een elektrische schok, brand of ernstig letsel tot gevolg hebben.



**Waarschuwing!** Bij apparaten voor gebruik op accu's moeten bepaalde elementaire voorzorgsmaatregelen, waaronder de navolgende, altijd in acht worden genomen om het gevaar voor brand, lekkende accu's, persoonlijk letsel en materiële schade tot een minimum te beperken.

- ◆ Lees deze handleiding zorgvuldig door voordat u het apparaat in gebruik neemt.
- ◆ In deze handleiding wordt ingegaan op het beoogde gebruik. Het gebruik van andere accessoires of hulpstukken dan wel de uitvoering van andere handelingen dan in deze gebruikershandleiding worden aanbevolen, kan tot persoonlijk letsel leiden.
- ◆ Bewaar deze handleiding zorgvuldig zodat u deze altijd nog eens kunt raadplegen.

### Gebruik van het apparaat

- ◆ Gebruik het apparaat nooit voor het opzuigen van vloeistoffen of materialen die vlam kunnen vatten.
- ◆ Trek de oplader nooit aan het snoer uit het stopcontact. Houd de oplader uit de buurt van warmtebronnen, olie en scherpe randen.
- ◆ Dit apparaat mag niet zonder supervisie door jonge of lichamelijk zwakke mensen worden gebruikt. Houd toezicht op kinderen om ervoor te zorgen dat zij niet met het apparaat gaan spelen.

### Na gebruik

- ◆ Neem de lader uit het stopcontact voordat u de lader of laadhouder schoonmaakt.
- ◆ Bewaar de machine na gebruik op een droge plaats.
- ◆ Zorg dat het bewaarde apparaat niet toegankelijk is voor kinderen.

### Inspectie en reparaties

- ◆ Controleer het apparaat vóór gebruik op beschadigingen en defecten. Controleer het vooral op gebroken onderdelen, schade aan de schakelaars en andere omstandigheden die de werking ervan kunnen beïnvloeden.
- ◆ Gebruik het apparaat niet in geval van een of meer beschadigde of defecte onderdelen.
- ◆ Laat beschadigde of defecte onderdelen door een van onze servicecentra repareren of vervangen.
- ◆ Controleer het snoer van de lader regelmatig op beschadigingen. Vervang de lader als het snoer beschadigd of defect is.
- ◆ Probeer nooit andere onderdelen te verwijderen of de vervanging dan in deze handleiding zijn vermeld.

### Aanvullende veiligheidsinstructies – accu's en laders

#### Accu's

- ◆ Probeer accu's niet te openen, om welke reden ook. u Stel de accu niet bloot aan water.
- ◆ Stel de accu niet bloot aan hitte.
- ◆ Bewaar de accu niet op locaties met temperaturen die hoger zijn dan 40°C.
- ◆ Laad de accu alleen op bij een omgevingstemperatuur tussen 10 en 40°C.
- ◆ Gebruik alleen de lader die bij het gereedschap/apparaat is geleverd. Het gebruik van de verkeerde lader kan resulteren in een elektrische schok of oververhitting van de accu.
- ◆ Gooi lege accu's weg volgens de instructies in het gedeelte "Milieu".
- ◆ De accubehuizing mag niet worden beschadigd of vervormd door er gaten in te laten komen of ertegen aan te stoten, aangezien dit kan leiden tot letsel of brand.
- ◆ Laad beschadigde accu's niet op.
- ◆ Onder extreme omstandigheden kunnen accu's lekkages vertonen. Wanneer de accu nat of vochtig is, veegt u de vloeistof voorzichtig af met een doek. Vermijd huidcontact.
- ◆ Bij huid- of oogcontact volgt u de onderstaande instructies.

**Waarschuwing!** De accuvloeistof kan lichamelijk letsel of schade aan eigendommen veroorzaken. Bij huidcontact moet u de vloeistof direct afspoelen met water. Raadpleeg uw huisarts als er rode vlekken ontstaan of bij een pijnlijke of geïrriteerde huid. Bij oogcontact moet u de vloeistof direct afspoelen met water en uw huisarts raadplegen.

#### Laders

De lader is ontworpen voor een specifieke spanning. Controleer altijd of de netspanning overeenkomt met de waarde op het typeplaatje.

**Waarschuwing!** Probeer de lader nooit te vervangen door een normale netstekker.



- ◆ Gebruik de lader van BLACK+DECKER alleen voor de accu in het gereedschap/apparaat waarbij de lader is bijgeleverd. Andere accu's kunnen exploderen met letsel en materiële schade als gevolg.
- ◆ Niet-laadbare accu's mogen nooit worden opgeladen.
- ◆ Als het netsnoer is beschadigd, moet dit worden vervangen door de fabrikant of een BLACK+DECKER-servicecentrum om gevaren te voorkomen.
- ◆ Stel de lader niet bloot aan water.
- ◆ Open de lader niet.
- ◆ Prik nooit met een scherp voorwerp in de lader.
- ◆ Laad het apparaat/het gereedschap/de accu in een goed geventileerde locatie op.

### Veiligheid van anderen

- ◆ Dit apparaat mag niet worden gebruikt door personen (waaronder kinderen) met een lichamelijke of geestelijke beperking of die geen ervaring met of kennis van dit apparaat hebben, tenzij ze onder toezicht staan of instructies krijgen wat betreft het gebruik van het apparaat van een persoon die verantwoordelijk is voor hun veiligheid.
- ◆ Houd toezicht op kinderen om ervoor te zorgen dat zij niet met het apparaat gaan spelen.

### Overige risico's.

Er kunnen zich tijdens het gebruik van het gereedschap ook andere risico's voordoen, die misschien niet in de bijgevoegde veiligheidswaarschuwingen worden vermeld. Deze risico's kunnen zich voordoen als gevolg van onoordeelkundig gebruik, langdurig gebruik, enz. Zelfs als de veiligheidsvoorschriften in acht worden genomen en de veiligheidsvoorzieningen worden geïmplementeerd, kunnen bepaalde risico's niet worden vermeden. Deze omvat ten:

- ◆ Verwondingen die worden veroorzaakt door het aanraken van draaiende of bewegende onderdelen. u Verwondingen die worden veroorzaakt bij het vervangen van onderdelen, bladen of accessoires. u Verwondingen die worden veroorzaakt door langdurig gebruik van het gereedschap. Als u langere periodes met het gereedschap werkt, is het raadzaam om regelmatig een pauze in te lassen. u Gehoorbeschadiging. u Gezondheidsrisico's als gevolg van het inademen van stof dat door gebruik van het gereedschap wordt veroorzaakt (bijvoorbeeld tijdens het werken met hout, vooral eiken, beuken en MDF).

### Elektrische veiligheid

De lader is ontworpen voor een specifieke spanning. Controleer altijd of de netspanning overeenkomt met de waarde op het typeplaatje. Probeer de lader nooit te vervangen door een normale netstekker.



Dit gereedschap is dubbel geïsoleerd. Een aardaansluiting is daarom niet noodzakelijk. Controleer altijd of de netspanning overeenkomt met de waarde op het typeplaatje.

### Symbolen op de lader



Algemene elektrisch gereedschap veiligheidswaarschuwingen....



SMPS



De laadhouder is uitsluitend bestemd voor gebruik binnenshuis.

### Etiquettes op het apparaat



Lees deze handleiding zorgvuldig door voordat u het apparaat



Gebruik alleen met lader SSA-GP-05

### LED Patronen opladen

	Opladen
	Batterij Storing

### LED Patronen In gebruik

	De batterij bijna leeg
	Batterij leeg

### Problemen met de accu

Als er wordt geconstateerd dat de accu bijna leeg is, gaat het oplaadlampje snel knipperen als er op de aan/uit-knop wordt gedrukt. Ga in dat geval als volgt te werk:

- ◆ Steek de stekker van de lader in het stopcontact. Schakel zonnodig de netspanning in.
- ◆ Laat de toepassing opladen.

Als er wordt geconstateerd dat de accu beschadigd is, gaat het oplaadlampje snel knipperen als het apparaat in de laadhouder zit. Ga in dat geval als volgt te werk:

- ◆ Laat het apparaat en de lader testen bij een erkend servicecentrum.

**Opmerking: Het kan soms een uur duren om na te gaan of de accu goed functioneert. Als de accu te warm of te koud is, knippert het lampje afwisselend snel en langzaam.**

### Milieu



Aparte inzameling. Dit product mag niet met normaal huishoudelijk afval worden weggegooid.

Mocht u op een dag constateren dat het Black & Decker-product aan vervanging toe is of dat u het apparaat niet meer nodig hebt, gooi het product dan niet bij het restafval. Het product valt onder de categorie voor elektrische apparaten.



Gescheiden inzameling van gebruikte producten en verpakkingsmaterialen maakt het mogelijk materialen te recycleren en opnieuw te gebruiken. Hergebruik van gerecycleerde materialen zorgt voor minder milieuvuiling en dringt de vraag naar grondstoffen terug.

Plaatselijke verordeningen kunnen voorzien in gescheiden inzameling van huishoudelijke elektrische producten via gemeentelijke stortplaatsen of via de leverancier bij wie u een nieuw product aanschaft.

BLACK+DECKER biedt de mogelijkheid tot het recyclen van afgedankte BLACK+DECKER-producten. Om gebruik te maken van deze service, dient u het product naar een van onze servicecentra te sturen, die de inzameling voor ons verzorgen.

U kunt het adres van het dichtstbijzijnde servicecentrum opvragen via de adressen op de achterzijde van deze handleiding. U kunt ook een lijst van onze servicecentra en meer informatie m.b.t. onze klantenservice vinden op het volgende internetadres: [www.2helpU.com](http://www.2helpU.com)

### Beschikbare accessoires

Cat No.	
170mm zuigmond Hoofd	WW100SA
170mm rakelblad	WW170SB
280mm rakelblad	WW280SB
2 x 170mm microvezel pads	WW170MPA
2 x 280mm microvezel pads	WW280MPA

### Technische gegevens

WW100 Window Washer	
Spanning	3.6V
Accu	Lithium Ion
Gewicht	745g

## Garantie

Black & Decker heeft vertrouwen in haar producten en biedt een uitstekende garantie. Deze garantiebepalingen vormen een aanvulling op uw wettelijke rechten en beperken deze niet. De garantie geldt in de lidstaten van de Europese Unie en de Europese Vrijhandelsassociatie.

Mocht uw Black & Decker product binnen 24 maanden na de datum van aankoop defect raken ten gevolge van materiaal- of constructiefouten, dan garanderen wij de kosteloze vervanging van defecte onderdelen, de reparatie van het product of de vervanging van het product, tenzij:

- ◆ Het product is gebruikt voor handelsdoeleinden, professionele toepassingen of verhuurdoeleinden.
- ◆ Het product onoordeelkundig is gebruikt.
- ◆ Het product is beschadigd door invloeden van buitenaf of door een ongeval.
- ◆ Reparaties zijn uitgevoerd door anderen dan onze servicecentra of Black & Decker-personeel.

Om een beroep te doen op de garantie, dient u een aankoopbewijs te overhandigen aan de verkoper of een van onze servicecentra. U kunt het adres van het dichtstbijzijnde servicecentrum opvragen via de adressen op de achterzijde van deze handleiding. U kunt ook een lijst van onze servicecentra en meer informatie m.b.t. onze klantenservice vinden op het volgende internetadres: [www.2helpU.com](http://www.2helpU.com)

Meld u aan op onze website [www.blackanddecker.nl](http://www.blackanddecker.nl) om te worden geïnformeerd over nieuwe producten en speciale aanbiedingen. Verdere informatie over het merk Black & Decker en onze producten vindt u op [www.blackanddecker.nl](http://www.blackanddecker.nl).

## Uso específico

Su BLACK+DECKER™ WW100 Arandela de ventana ha sido diseñado para el lavado de ventanas y la limpieza de vacío mojado

## Instrucciones de seguridad

### Herramientas eléctricas Advertencias de seguridad generales



**¡Atención!** Lea todas las advertencias de seguridad y todas las instrucciones. En caso de no atenderse a las siguientes advertencias e instrucciones, podría producirse una descarga eléctrica, incendio o lesión grave.



**¡Atención!** Si utiliza aparatos alimentados por batería, es necesario tomar siempre algunas precauciones de seguridad básicas, incluidas las facilitadas a continuación, para reducir el riesgo de incendio, fugas del electrolito, lesiones y daños materiales.

- ◆ Lea todo el manual detenidamente antes de utilizar el aparato.
- ◆ En este manual se describe el uso para el que se ha diseñado el aparato. La utilización de accesorios o la realización de operaciones distintas de las recomendadas en este manual de instrucciones puede presentar un riesgo de lesiones.
- ◆ Conserve este manual para futuras consultas.

### Utilización del aparato

- ◆ No utilice el aparato para recoger ningún líquido ni material inflamable.
- ◆ No tire del cable para desconectar el cargador de la toma de corriente. Mantenga el cable del cargador alejado de fuentes de calor, aceites y bordes afilados.
- ◆ Este aparato no está pensado para que lo utilicen menores o disminuidos físicos o psíquicos sin supervisión. Debe vigilarse a los niños para asegurarse de que no jueguen con el aparato.

### Después de la utilización

- ◆ Antes de limpiar el cargador o su base, desconéctelo.
- ◆ Cuando no lo utilice, el aparato se debe guardar en un lugar seco.
- ◆ Los niños no deben tener acceso a los aparatos guardados.

## Inspecciones y reparaciones

- ◆ Antes de utilizarlo, compruebe que el aparato no tiene piezas dañadas o defectuosas. Compruebe que no hay piezas rotas, que los interruptores no están dañados y que no existen otros defectos que puedan afectar al funcionamiento del aparato.
- ◆ No utilice el aparato si presenta alguna pieza dañada o defectuosa.
- ◆ Solicite al servicio técnico autorizado la reparación o sustitución de las piezas dañadas o defectuosas.
- ◆ Compruebe con regularidad que el cable del cargador no ha sufrido daños. Sustituya el cargador si el cable está dañado o es defectuoso.
- ◆ No intente nunca extraer ni sustituir piezas que no sean las especificadas en este manual

### Instrucciones de seguridad adicionales: baterías y cargadores

#### Baterías

- ◆ No intente abrirlas bajo ningún concepto.
- ◆ No exponga la batería al agua.
- ◆ No exponga la batería al calor.
- ◆ No guarde la batería en lugares en los que la temperatura pueda superar los 40 °C.
- ◆ Realice la carga únicamente a una temperatura ambiente de entre 10 °C y 40 °C.
- ◆ Utilice únicamente el cargador suministrado con el aparato o la herramienta para realizar la carga. La utilización de un cargador incorrecto podría provocar una descarga eléctrica o el recalentamiento de la batería.
- ◆ Para desechar las pilas o las baterías, siga las instrucciones facilitadas en la sección "Protección del medio ambiente".
- ◆ No dañe ni deforme la batería mediante perforaciones o golpes, ya que puede suponer un riesgo de incendio y de lesiones.
- ◆ No cargue baterías dañadas.
- ◆ Es posible que se produzcan fugas en las baterías en condiciones extremas. Cuando observe que se producen fugas en las baterías, limpie cuidadosamente el líquido con un paño. Evite el contacto con la piel.
- ◆ En caso de que se produzca contacto con la piel o los ojos, siga las instrucciones facilitadas a continuación.

**¡Atención!** El líquido de las baterías puede provocar lesiones o daños materiales. En caso de que se produzca contacto con la piel, lave la zona con agua inmediatamente. Si se produce enrojecimiento, dolor o irritación, solicite atención médica. En caso de contacto con los ojos, lave la zona inmediatamente con agua limpia y solicite atención médica.

## Cargadores

El cargador se ha diseñado para un voltaje específico. Cadavez que utilice el aparato, debe comprobar que el voltaje de la red eléctrica coincide con el valor indicado en la placa de datos.

**¡Atención!** No intente sustituir el cargador por un enchufe convencional para la red eléctrica.

- ◆ Para cargar la batería del aparato o herramienta, utilice únicamente el cargador BLACK+DECKER suministrado. Si intenta cargar otras baterías, estas podrían explotar y provocar lesiones y daños materiales.
- ◆ No intente cargar nunca baterías no recargables.
- ◆ Si se dañara el cable de alimentación, lo deberá sustituir el fabricante o un centro de asistencia técnica autorizado de BLACK+DECKER para evitar cualquier situación de riesgo.
- ◆ No exponga el cargador al agua.
- ◆ No abra el cargador.
- ◆ No aplique ningún dispositivo para medir la resistencia del cargador.
- ◆ El aparato, la herramienta o la batería deben colocarse en una zona correctamente ventilada durante la carga.

## Seguridad de terceros

- ◆ Ninguna persona (incluyendo niños) con capacidades físicas, sensoriales o mentales disminuidas, o que carezca de experiencia y conocimientos, debe utilizar este aparato, salvo que haya recibido supervisión o formación con respecto a su uso por parte de una persona responsable de su seguridad.
- ◆ Los niños deben vigilarse en todo momento para garantizar que el aparato no se toma como elemento de juego

## Riesgos residuales.

El uso de esta herramienta puede producir riesgos residuales adicionales no incluidos en las advertencias de seguridad adjuntas. Estos riesgos se pueden generar por un uso incorrecto, demasiado prolongado, etc. El cumplimiento de las normas de seguridad correspondientes y el uso de dispositivos de seguridad no evitan ciertos riesgos residuales. Estos riesgos incluyen:

- ◆ Lesiones producidas por el contacto con piezas móviles o giratorias.
- ◆ Lesiones producidas al cambiar cualquier pieza, cuchilla o accesorio.
- ◆ Lesiones producidas al usar una herramienta por un tiempo demasiado prolongado. Si utiliza una herramienta durante períodos de tiempo demasiado prolongados, asegúrese de realizar pausas con frecuencia.
- ◆ Discapacidad auditiva.

- ◆ Riesgos para la salud producidos al respirar el polvo que se genera al usar la herramienta (por ejemplo: en los trabajos con madera, especialmente de roble, haya y fibras de densidad media).

## Seguridad eléctrica

El cargador se ha diseñado para un voltaje específico. Cadavez que utilice el aparato, debe comprobar que el voltaje de la red eléctrica coincide con el valor indicado en la placa de datos. No intente sustituir el cargador por un enchufe convencional para la red eléctrica.



Esta herramienta lleva un doble aislamiento; por lo tanto, no requiere una toma a tierra. Compruebe siempre que la tensión de la red coincide con el valor indicado en la placa de datos de la herramienta.

## Símbolos del cargador



Cortocircuito de seguridad a prueba de transformador de aislamiento.



SMPS



La base del cargador está pensada únicamente para utilizarla en espacios interiores.

## Las etiquetas de los electrodomésticos



Lea todo el manual antes de utilizar el aparato



Utilice solamente con el cargador SSA-GP-05

### Patrones LED de carga

	Carga
	de fallo de la batería

### Patrones de LED en uso

	batería baja
	batería vacía

### Diagnóstico de la batería

Si el aparato detecta que la batería dispone de poca energía, el indicador de carga parpadeará a gran velocidad al pulsar el botón de encendido. Realice el procedimiento siguiente:

- ◆ Enchufe el cargador. Conéctelo a la red eléctrica.
- ◆ Deje el aparato cargándose.

Si el aparato detecta que la batería está dañada, el indicador de carga parpadeará a gran velocidad cuando el aparato esté en la base del cargador. Realice el procedimiento siguiente:

- ◆ Lleve el aparato y el cargador a un centro de servicio autorizado para que los revisen.

**Nota: es posible que hagan falta 60 minutos para determinar si la batería es defectuosa. Si la batería está demasiado fría o demasiado caliente, el indicador LED parpadeará rápida y lentamente, de manera alternativa, y se repetirá la secuencia.**

Puede consultar la dirección de su agente de servicio técnico más cercano si se pone en contacto con la oficina local de Black Decker en la dirección que se indica en este manual. Como alternativa, puede consultar la lista de servicios técnicos autorizados de Black & Decker y obtener la información completa de nuestros servicios de posventa y contactos en la siguiente dirección de Internet: [www.2helpU.com](http://www.2helpU.com)

### Accesorios disponibles

Cat No.	
170mm enjugador Cabeza	WW100SA
170mm enjugador cuchilla	WW170SB
280mm enjugador cuchilla	WW280SB
2 x 170mm almohadillas de microfibra	WW170MPA
2 x 280mm almohadillas de microfibra	WW280MPA

### Protección del medio ambiente



Recogida selectiva. No se debe desechar este producto con el resto de residuos domésticos.

Si llegase el momento en que fuese necesario sustituir su producto BLACK+DECKER o si este dejase de tener utilidad para usted, no lo deseche junto con los residuos domésticos. Sepárelo para su recogida selectiva.



La recogida selectiva de productos y embalajes usados permite el reciclaje de materiales y su reutilización. La reutilización de materiales reciclados contribuye a evitar la contaminación medioambiental y reduce la demanda de materias primas.

Las normativas municipales deben ofrecer la recogida selectiva de productos eléctricos del hogar, en puntos municipales previstos para tal fin o a través del distribuidor cuando adquiera un nuevo producto.

BLACK+DECKER proporciona facilidades para la recogida y reciclado de los productos BLACK+DECKER que han llegado al final de su vida útil. Para poder utilizar este servicio, le rogamos que entregue el producto a cualquier agente de servicio técnico autorizado para que se haga cargo de él en nuestro nombre.

### Technical data

WW100 Arandela de ventana	
Voltaje	3.6V
Batería	Lithium Ion
Peso	745g

## Garantía

Black & Decker confía plenamente en la calidad de sus productos y ofrece una garantía extraordinaria. Esta declaración de garantía es un añadido, y en ningún caso un perjuicio para sus derechos legales. La garantía es válida dentro de los territorios de los Estados miembros de la Unión Europea y de los de la Zona Europea de Libre Comercio.

Si un producto Black & Decker resultara defectuoso debido a materiales o mano de obra defectuosos o a la falta de conformidad, Black & Decker garantiza, dentro de los 24 meses de la fecha de compra, la sustitución de las piezas defectuosas, la reparación de los productos sujetos a un desgaste y rotura razonables o la sustitución de tales productos para garantizar al cliente el mínimo de inconvenientes, a menos que:

- ◆ El producto se haya utilizado con propósitos comerciales, profesionales o de alquiler.
- ◆ El producto se haya sometido a un uso inadecuado o negligente.
- ◆ El producto haya sufrido daños causados por objetos o sustancias extrañas o accidentes.
- ◆ Se hayan realizado reparaciones por parte de personas que no sean del servicio técnico autorizado o personal de servicios de Black & Decker.

Para reclamar en garantía, será necesario que presente la prueba de compra al vendedor o al agente de servicio técnico autorizado. Puede consultar la dirección de su agente de servicio técnico más cercano si se pone en contacto con la oficina local de Black Decker en la dirección que se indica en este manual. Como alternativa, puede consultar la lista de servicios técnicos autorizados de Black & Decker y obtener la información completa de nuestros servicios de posventa y contactos en la siguiente dirección de Internet: [www.2helpU.com](http://www.2helpU.com)

Visite el sitio web [www.blackanddecker.es](http://www.blackanddecker.es) para registrar su nuevo producto BLACK+DECKER y estar al día sobre productos y ofertas especiales. Encontrará información adicional sobre la marca BLACK+DECKER y nuestra gama de productos en [www.blackanddecker.es](http://www.blackanddecker.es).

## Utilização prevista

Seu BLACK+DECKER™ WW100 lavador de janelas foi projetado para lavar janelas e fins de limpeza de vácuo molhado

## Instruções de segurança

### Avisos de segurança da ferramenta de poder Geral



**Atenção! Leia com atenção todos os avisos de segurança e instruções.** O não cumprimento dos seguintes avisos e instruções pode resultar em choque eléctrico, incêndio e/ou lesões graves.



**Atenção!** Quando utilizar aparelhos alimentados a pilhas, deve cumprir determinadas medidas de segurança, incluindo as que se seguem, de modo a reduzir os riscos de incêndio, fugas nas pilhas, ferimentos pessoais e danos do material.

- ◆ Leia cuidadosamente o manual completo antes de utilizar este aparelho.
- ◆ A utilização prevista para este aparelho está descrita no manual. A utilização de qualquer acessório ou a realização de qualquer operação com este aparelho que não esteja incluída no presente manual de instruções poderá representar um risco de ferimentos pessoais.
- ◆ Conserve este manual para referência futura.

### Utilização do aparelho

- ◆ Não utilize este aparelho para aspirar líquidos ou quaisquer materiais combustíveis.
- ◆ Nunca puxe pelo cabo do carregador para desligar o carregador da tomada. Mantenha o cabo do carregador afastado do calor, combustíveis e extremidades afiadas
- ◆ Este aparelho não deve ser utilizado por pessoa mais jovens ou doentes sem supervisão. As crianças deverão ser vigiadas para que não mexam no aparelho.

### Após a utilização

- ◆ Desligue o carregador ou a base de carga antes de os limpar.
- ◆ Quando não estiver em utilização, o aparelho deve ser guardado num local seco.
- ◆ As crianças não devem ter acesso aos aparelhos armazenados.

### Inspeção e reparações

- ◆ Antes da utilização, verifique se existem peças danificadas ou avariadas no aparelho. Verifique se há peças partidas, danos nos interruptores ou outro tipo de condições que possam afectar o seu funcionamento.

- ◆ Não utilize o aparelho se alguma das peças se encontrar danificada ou avariada
- ◆ Mandar reparar ou substituir quaisquer peças danificadas ou avariadas por um agente de reparação autorizado.
- ◆ Verifique regularmente se existem danos no cabo do carregador. Substitua o carregador se o cabo estiver danificado ou com defeitos
- ◆ Nunca tente retirar ou substituir quaisquer peças que não as especificadas neste manual

## Instruções de segurança adicionais - baterias e carregadores

### Baterias

- ◆ Nunca tente abrir a bateria por motivo algum.
- ◆ Não exponha a bateria à água.
- ◆ Não exponha a bateria ao calor.
- ◆ Não armazene em locais onde a temperatura possa exceder os 40°C.
- ◆ Carregue apenas a temperaturas ambiente entre 10°C e 40°C.
- ◆ Carregue apenas com o carregador fornecido com o aparelho/ferramenta. A utilização do carregador errado pode resultar em choque eléctrico ou sobreaquecimento da bateria.
- ◆ Quando eliminar as baterias, siga as instruções da secção "Protecção do ambiente".
- ◆ Não danifique a bateria por perfuração ou impacto, pois poderá originar risco de ferimentos e incêndio. Não carregue baterias danificadas
- ◆ Em condições extremas, pode ocorrer uma fuga nas baterias. Se detectar a fuga de líquido das baterias, limpe o líquido cuidadosamente com um pano. Evite o contacto com a pele.
- ◆ Em caso de contacto com a pele ou com os olhos, siga as instruções seguintes.

**Atenção!** O fluido da bateria pode causar ferimentos pessoais ou danos materiais. Em caso de contacto com a pele, enxágue imediatamente com água. Em caso de vermelhidão, dor ou irritação, contacte um médico. Em caso de contacto com os olhos, enxágue imediatamente com água limpa e contacte um médico.

### Carregadores

O seu carregador foi concebido para uma tensão específica. Verifique sempre se a tensão de alimentação corresponde à tensão indicada na placa de especificações

**Atenção!** Nunca tente substituir a unidade do carregador por uma tomada normal de alimentação.

- ◆ Utilize o seu carregador BLACK+DECKER apenas para carregar a bateria do aparelho/ferramenta com que foi fornecido. Outras baterias podem rebentar, provocando ferimentos e danos.



- ◆ Nunca tente carregar baterias não recarregáveis.
- ◆ Se o cabo de alimentação estiver danificado, terá de ser substituído pelo fabricante ou por um centro de assistência autorizado BLACK+DECKER para evitar acidentes.
- ◆ Não exponha o carregador à água.
- ◆ Não abra o carregador. Não manipule o interior do carregador.
- ◆ O aparelho/ferramenta/bateria deve ser colocado numa área com boa ventilação durante o carregamento.

### Segurança de terceiros

- ◆ Este aparelho não deve ser utilizado por pessoas (incluindo crianças) que apresentem capacidades físicas, sensoriais ou mentais reduzidas ou que não possuam os conhecimentos e a experiência necessários, excepto se forem vigiadas e instruídas acerca da utilização do aparelho por uma pessoa responsável pela sua segurança.
- ◆ As crianças deverão ser vigiadas para que não mexam no aparelho.

### Riscos residuais.

Podem surgir riscos residuais adicionais durante a utilização da ferramenta que poderão não constar nos avisos de segurança incluídos. Estes riscos podem resultar de má utilização, uso prolongado, etc. Mesmo com a aplicação dos regulamentos de segurança relevantes e com a implementação de dispositivos de segurança, alguns riscos residuais não podem ser evitados. Incluem:

- ◆ ferimentos causados pelo contacto com peças em rotação/movimento.
- ◆ ferimentos causados durante a troca de peças, lâminas ou acessórios.
- ◆ ferimentos causados pela utilização prolongada de uma ferramenta. Quando utilizar uma ferramenta por períodos prolongados, faça intervalos regulares.
- ◆ diminuição da audição.
- ◆ Problemas de saúde causados pela inalação de poeiras resultantes da utilização da ferramenta (exemplo: trabalhos em madeira, especialmente carvalho, faia e MDF)..

### Segurança eléctrica

O seu carregador foi concebido para uma tensão específica. Verifique sempre se a tensão de alimentação corresponde à tensão indicada na placa de especificações. Nunca tente substituir a unidade do carregador por uma tomada normal de alimentação.



Esta ferramenta tem um isolamento duplo e, por isso, não é necessário um fio de terra. Verifique sempre se a fonte de alimentação corresponde à tensão indicada na placa de especificações.

### Símbolos no carregador



Segurança à prova de curto-circuito isolando transformador.



SMPS



A base de carga destina-se exclusivamente a uma utilização no interior.

### Etiquetas em appliance



Leia este manual antes de usar o aparelho



Utilize apenas com carregador SSA-GP-05

Patterns LED de carga	
	Carregamento
	Defeito na Bateria

Patterns LED em uso	
	Bateria fraca
	Bateria vazia

### Diagnóstico da bateria

Se o aparelho detectar uma bateria fraca ou danificada, o indicador de carga piscará rapidamente quando o botão de ligação for premido. Proceda da seguinte forma:

- ◆ Ligue o carregador. Ligue à corrente.
- ◆ Deixe o aparelho a carregar.

Se o aparelho detectar uma bateria danificada, o indicador de carga piscará rapidamente quando o aparelho se encontrar na base de carga. Proceda da seguinte forma:

- ◆ Leve o dispositivo e o carregador para serem testados num centro de assistência autorizado.

**Nota: determinar se a bateria está defeituosa pode demorar até 60 minutos. Se a bateria estiver demasiado quente ou demasiado fria, o LED irá ficar em modo intermitente rápido ou lento alternado, piscando uma vez a cada velocidade e repetindo-se.**

## Protecção do ambiente



Recolha separada. Este produto não pode ser eliminado juntamente com os resíduos domésticos normais.

Se, em algum momento, for necessário substituir este produto Black & Decker ou se este deixar de ter utilidade, não elimine o produto num caixote do lixo. Este produto pode ser separado para reciclagem.



A recolha separada de produtos e embalagens usados permite que os materiais sejam reciclados e reutilizados. A reutilização de materiais reciclados ajuda a evitar a poluição ambiental e reduz a procura de matérias-primas.

A legislação local poderá prever a recolha separada de produtos domésticos eléctricos, seja em lixeiras municipais ou através do revendedor quando adquire um produto novo.

A BLACK+DECKER dispõe de instalações para recolha e reciclagem de produtos BLACK+DECKER quando estes atingem o fim da vida útil. Para usufruir deste serviço, devolva o produto em qualquer agente de reparação autorizado, que os recolherá em seu nome.

Pode verificar a localização do agente de reparação autorizado mais perto de si, contactando os escritórios locais da BLACK+DECKER através do endereço indicado neste manual. Se preferir, está disponível na Internet uma lista de agentes de reparação autorizados BLACK+DECKER, com os contactos e detalhes completos do serviço pós-venda, no endereço: [www.2helpU.com](http://www.2helpU.com)

## Acessórios disponíveis

Cat No.	
170mm Rodo Cabeça	WW100SA
170mm Rodo Lâmina	WW170SB
280mm Rodo Lâmina	WW280SB
2 x 170mm lâminas de fibra de micro	WW170MPA
2 x 280mm lâminas de fibra de micro	WW280MPA

## Dados técnicos

WW100 Lavador de janelas	
Tensão	3.6V
Bateria	Lithium Ion
Peso	745g

## Garantia

A Black & Decker confia na qualidade dos seus produtos e oferece uma garantia excelente. Esta declaração de garantia é um complemento dos seus direitos estabelecidos por lei, não os prejudicando de forma alguma. A garantia é válida nos territórios dos Estados Membros da União Europeia e da Associação Europeia de Comércio Livre.

Se um produto Black & Decker avariar devido a defeitos de material, fabrico ou não conformidade, num período de 24 meses após a data da compra, a Black & Decker garante a substituição das peças defeituosas, a reparação de produtos sujeitos a um desgaste aceitável ou a substituição dos mesmos para garantir o mínimo de inconvenientes ao cliente, excepto se:

- ◆ O produto tiver sido utilizado para fins comerciais, profissionais ou de aluguer; u O produto tiver sido submetido a utilização indevida ou descuido; u O produto tiver sido danificado por objectos estranhos, substâncias ou acidentes; u Tiverem sido tentadas reparações por pessoas que não sejam agentes de reparação autorizados ou técnicos de manutenção da Black & Decker.

Para accionar a garantia, terá de apresentar comprovativos de compra ao vendedor ou a um agente de reparação autorizado. Pode verificar a localização do agente de reparação autorizado mais perto de si, contactando os escritórios locais da Black & Decker através do endereço indicado neste manual. Se preferir, está disponível na Internet uma lista de agentes de reparação autorizados Black & Decker, com os contactos e detalhes completos do serviço pós-venda, no endereço: [www.2helpU.com](http://www.2helpU.com)

Visite o nosso website [www.blackanddecker.pt](http://www.blackanddecker.pt) para registar o novo produto BLACK+DECKER e manter-se actualizado relativamente a novos produtos e ofertas especiais. Pode encontrar mais informações sobre a marca BLACK+DECKER e sobre a nossa gama de produtos em [www.blackanddecker.pt](http://www.blackanddecker.pt)

## Användningsområde

Din BLACK + DECKER™ WW100 Vindrutespolning har utformats för att tvätta fönster och våt vakuum rengöring

## Säkerhetsföreskrifter

### Allmän elverktyg säkerhetsvarningar



**Varning! Läs alla säkerhetsföreskrifter och alla anvisningar.** Fel som uppstår till följd av att säkerhetsföreskrifterna och anvisningarna nedan inte följts kan orsaka elstötar, brand och/eller allvarliga kroppsskador.



**Varning!** Vid användning av batteridrivna redskap ska grundläggande säkerhetsföreskrifter, inklusive följande föreskrifter, alltid följas. Detta för att minska risken för brand, läckande batterier, personsador och materiella skador.

- ◆ Läs hela den här bruksanvisningen noggrant innan du använder apparaten.
- ◆ Användningsområdet beskrivs i den här bruksanvisningen. Användning av andra tillbehör eller tillsatser eller andra åtgärder som utförs med redskapet än de som rekommenderas i den här bruksanvisningen kan leda till personsador.
- ◆ Spara den här bruksanvisningen för framtida bruk.

### Använda redskapet

- ◆ Använd inte redskapet för att suga upp vätskor eller material som kan fatta eld.
- ◆ Dra aldrig i sladden till laddaren när du drar ut den från vägguttaget. Håll sladden till laddaren borta från värme, olja och vassa kanter.
- ◆ Redskapet är inte avsett att användas av unga eller oerfarna personer utan övervakning. Håll uppsyn över barn så att de inte leker med apparaten.

### Efter användning

- ◆ Dra ur sladden till laddaren innan du rengör den.
- ◆ När det inte används bör redskapet förvaras torrt.
- ◆ Placera redskapet på ett ställe där barn inte kan komma åt det.

### Kontroll och reparationer

- ◆ Innan användning bör du kontrollera att apparaten är hel och att inga delar är skadade. Kontrollera att inga delar är trasiga, att strömbrytaren fungerar och att inget annat föreligger som kan påverka redskapets funktion.
- ◆ Använd inte redskapet om någon del har skadats eller gått sönder.

- ◆ Reparera eller byt ut skadade eller trasiga delar på en auktoriserad verkstad.
- ◆ Kontrollera regelbundet att sladden till laddaren inte har skadats. Byt ut laddaren om sladden är skadad eller trasig.
- ◆ Försök aldrig ta bort eller byta ut andra delar än de som anges i den här bruksanvisningen.

### Ytterligare säkerhetsinstruktioner för batterier och laddare.

#### Batterier

- ◆ Försök aldrig att öppna batterierna. Utsätt inte batteriet för vatten.
- ◆ Utsätt inte batteriet för värme.
- ◆ Förvara inte apparaten på platser där temperaturen kan bli högre än 40 °C.
- ◆ Ladda endast vid lufttemperaturer mellan 10 °C och 40 °C.
- ◆ Ladda endast med hjälp av laddaren som medföljer apparaten. Användning av fel laddare kan resultera i en elektrisk stöt eller att batteriet överhettas.
- ◆ Följ instruktionerna i avsnittet "Miljö" när du gör dig av med batterier.
- ◆ Skydda batteriet från skador/deformeringar i form av slag och stötter eftersom det kan leda till personsador eller eldsvåda.
- ◆ Ladda inte skadade batterier.
- ◆ Under extrema förhållanden kan batterierna läcka. Om det finns vätska på batterierna ska du torka bort vätskan försiktigt med en trasa. Undvik hudkontakt.
- ◆ Följ instruktionerna nedan vid kontakt med hud eller ögon.

**Varning!** Batterivätskan kan orsaka person- eller materialsador. Vid hudkontakt, skölj genast med vatten. Vid rodnader, smärta eller irritation ska läkare uppsökas. Vid kontakt med ögon, skölj genast med rent vatten och uppsök läkare.

#### Laddare

Laddaren är avsedd för en viss spänning. Kontrollera alltid att nätspänningen överensstämmer med värdet på typskylten.

**Varning!** Försök aldrig byta ut kontakten till laddaren mot en vanlig kontakt.

- ◆ Använd laddaren från BLACK+DECKER endast för att ladda batteriet i den apparat som laddaren levererades med. Andra batterier kan spricka och orsaka personsador och andra skador.
- ◆ Försök aldrig ladda batterier som inte är uppladdningsbara.
- ◆ Om nätsladden är skadad måste den bytas ut av tillverkaren eller en auktoriserad BLACK+DECKER-verkstad för att undvika fara.
- ◆ Utsätt inte laddaren för vatten.
- ◆ Öppna inte laddaren.

- ◆ Gör ingen åverkan på laddaren.
- ◆ Redskapet/verktyget/batteriet ska placeras på en plats med god ventilation vid laddning.

### Etiketter på apparaten.



Läs nogga igenom denna bruksanvisning noggrant innan du använder apparaten



Använd endast med laddare SSA-GP-05

### Säkerhet för andra

- ◆ Redskapet ska inte användas av personer (inklusive barn) med nedsatt fysisk eller psykisk förmåga eller bristande erfarenhet och kunskap om de inte får vägledning och övervakas av en person som ansvarar för deras säkerhet.
- ◆ Barn ska hållas under uppsikt så att de inte leker med verktyget.

### Övriga risker.

Ytterligare risker som inte finns med i de bifogade säkerhetsföreskrifterna kan uppstå när verktyget används. Dessa risker kan uppstå vid felaktig användning, långvarig användning, o.s.v. Även om alla relevanta säkerhetsföreskrifter följs och säkerhetsanordningar används kan vissa ytterligare risker inte undvikas. Dessa innefattar:

- ◆ Skador orsakade av att roterande/rörliga delar vidrörs. u Skador som uppstår vid byte av delar, blad eller tillbehör. u Skador som orsakas av långvarig användning av ett verktyg. Se till att ta regelbundna raster när du använder ett verktyg under en längre period. u Skador på hörseln. u Hälsorisker orsakade av inandning av damm när redskapet används (exempel: arbete med trä, särskilt ek, bok och MDF).

### Elektrisk säkerhet

Laddaren är avsedd för en viss spänning. Kontrollera alltid att nätspänningen överensstämmer med värdet på typskylten. Försök aldrig byta ut kontakten till laddaren mot en vanlig kontakt.



Your charger is double insulated; therefore no earth wire is required. Always check that the mains voltage corresponds to the voltage on the rating plate. Never attempt to replace the adapter unit with a regular mains plug.

### Symbols on Charger



Kortslutningssäker skyddstransformator.



SMPS



Laddaren är endast avsedd för användning inom-hus.

LED Mönster Laddning	
	Laddning
	Batteri Fel

LED mönster i användningen	
	Lågt batteri
	Batteri tom

### Batteridiagnostik

Om apparaten upptäcker ett svagt batteri börjar laddningsindikatorn att blinka snabbt när strömbrytaren trycks ned. Gör så här:

- ◆ Anslut laddaren. Slå på den vid eluttaget.
- ◆ Låt apparaten laddas.

Om apparaten upptäcker ett skadat batteri börjar laddningsindikatorn att blinka snabbt när apparaten sitter i laddstationen. Gör så här:

- ◆ Ta med apparaten och laddaren till ett auktoriserat servicecenter för test.

**Obs! Det kan ta upp till 60 minuter att avgöra om batteriet är defekt. Om batteriet är för varmt eller för kallt blinkar indikatorn omväxlande snabbt och långsamt med en blinkning i varje hastighet.**

## Skydda miljön



Separat insamling. Produkten får inte kastas i hushållssoporna.

Tänk på miljön när du slänger denna Black & Decker-produkt. Släng den inte tillsammans med hushållsavfallet. Lämnar produkten för separat insamling.



Insamling av uttjänta produkter och förpackningsmaterial gör att material kan återanvändas. Användning av återvunnet material minskar föroreningar av miljön och behovet av råmaterial.

Lokala föreskrifter kan kräva separat insamling av elprodukter från hushållen, vid kommunala samlingsplatser eller hos återförsäljaren när du köper en ny produkt.

BLACK+DECKER samlar in och återvinner uttjänta BLACK+DECKER-produkter. Om du vill utnyttja denna tjänst återlämnar du produkten till en auktoriserad verkstad, som samlar in den för vår räkning.

För information om närmaste auktoriserade verkstad, kontakta det lokala BLACK+DECKER-kontoret på den adress som är angiven i bruksanvisningen. En lista över alla auktoriserade BLACK+DECKER-verkstäder samt servicevillkor finns på Internet: [www.2helpU.com](http://www.2helpU.com)

## Tillgängliga tillbehör

Cat No.	
170mm Gummiskrapa	WW100SA
170mm skrapans blad	WW170SB
280mm skrapans blad	WW280SB
2 x 170mm mikrofiberdynor	WW170MPA
2 x 280mm mikrofiberdynor	WW280MPA

## Tekniska data

WW100 Vindrutespolning	
Spänning	3.6V
Batteri	Lithium Ion
Vikt	745g

## Garanti

Black & Decker garanterar att produkten är fri från material- och/eller fabriktionsfel vid leverans till kund. Garantin gäller utöver konsumentens rättigheter enligt lag och påverkar inte dessa. Garantin gäller inom medlemsstaterna i Europeiska Unionen och i det Europeiska Frihandelsområdet.

Om en Black & Decker-produkt går sönder på grund av material- och/eller fabriktionsfel eller brister i överensstämmelse med specifikationen, inom 24 månader från köpet, åtar sig Black & Decker att reparera eller byta ut produkten med minsta besvär för kunden, förutom om:

- ◆ Produkten har använts i kommersiellt eller yrkesmässigt syfte eller i uthyringssyfte. u Produkten har utsatts för felaktig användning eller skötsel. u Produkten har skadats av främmande föremål, ämnen eller genom olyckshändelse. u Reparation har utförts av någon annan än en auktoriserad Black & Decker-verkstad.

Vid garantianspråk ska produkten och inköpskvittot lämnas till återförsäljaren eller till en auktoriserad verkstad. För information om närmaste auktoriserade verkstad, kontakta det lokala Black & Decker-kontoret på den adress som är angiven i bruksanvisningen. En lista över alla auktoriserade Black & Decker-verkstäder samt servicevillkor finns på Internet: [www.2helpU.com](http://www.2helpU.com)

Besök vår webbplats [www.blackanddecker.se](http://www.blackanddecker.se) för att registrera din nya BLACK+DECKER-produkt samt för att erhålla information om nya produkter och specialerbjudanden. Vidare information om märket BLACK+DECKER och vårt produkt-sortiment återfinns på [www.blackanddecker.se](http://www.blackanddecker.se)

## Bruksområde

BLACK+DECKER™ WW100 vindusspyler har blitt designet for å vaske vinduer og våt vakuump rengjøring

## Sikkerhetsinstruksjoner

### Generell elektroverktøy sikkerhetsadvarsler



**Advarsel! Les alle sikkerhetsadvarsler og alle instruksjoner.** Hvis advarslene og anvisningene nedenfor ikke overholdes, kan det medføre elektrisk støt, brann og/eller alvorlige personskader.



**Advarsel!** Når du bruker batteridrevne apparater, må du ta grunnleggende sikkerhetsforholdsregler, blant annet dem som er beskrevet nedenfor, for å redusere risikoen for brann, batterilekkasje, person-skade og skade på materiell.

- ◆ Les hele håndboken nøye før du bruker apparatet.
- ◆ Beregnet bruk er beskrevet i denne håndboken. Hvis du bruker annet tilbehør, kobler til annet utstyr eller bruker dette produktet til andre oppgaver enn det som er anbefalt i denne håndboken, kan det føre til fare for personskade.
- ◆ Ta vare på denne håndboken for fremtidig bruk.

### Bruke apparatet

- ◆ Ikke bruk apparatet til å suge opp væske eller materialer som kan ta fyr.
- ◆ Ikke dra i ledningen når du skal fjerne laderen fra stikk-kontakten. Hold ledningen til laderen borte fra varmekilder, olje og skarpe kanter.
- ◆ Det er ikke meningen at dette apparatet skal brukes av unge eller svake personer uten tilsyn. Barn må ha tilsyn så man sikrer at de ikke leker med apparatet.

### Etter bruk

- ◆ Ta ut støpselet til laderen før du rengjør laderen eller ladesokkelen.
- ◆ Når apparatet ikke er i bruk, skal det oppbevares på et tørt sted.
- ◆ Barn skal ikke ha tilgang til apparater som ikke er i bruk.

### Kontroll og reparasjon

- ◆ Kontroller at apparatet ikke er skadet eller har defekte deler før du bruker det. Kontroller om noen av delene har sprekker, om bryterne er skadet, eller om det er andre forhold som kan påvirke bruken.
- ◆ Ikke bruk produktet hvis en del er skadet eller defekt.
- ◆ Overlat reparasjon eller utskifting av skadde eller defekte deler til et autorisert serviceverksted.
- ◆ Kontroller jevnlig om ledningen til laderen er skadet. Skift ut laderen hvis ledningen er skadet eller defekt.

- ◆ Forsøk aldri å fjerne eller skifte ut andre deler enn dem som er oppgitt i denne håndboken.

## Ytterligere sikkerhetsinstruksjoner for batterier og ladere.

### Batterier

- ◆ Forsøk aldri å åpne uansett hvilket formål du måtte ha.
- ◆ Ikke utsett batteriet for vann.
- ◆ Ikke utsett batteriet for varme.
- ◆ Skal ikke oppbevares på steder der temperaturen kan overskride 40 °C.
- ◆ Skal lades bare ved omgivelsestemperaturer mellom 10 °C og 40 °C.
- ◆ Bruk bare ladere av typen som følger med maskinen/apparatet. Hvis du bruker feil lader, kan dette føre til et elektrisk støt eller at batteriet overoppheves.
- ◆ Følg instruksjonene i avsnittet "Miljø" når du skal kaste batterier.
- ◆ Ikke skad eller deformer batteripakken ved punktering eller støt, da dette kan føre til risiko for personskade og brann.
- ◆ Ikke lad skadede batterier.
- ◆ Under ekstreme forhold kan det forekomme batterilekkasje. Hvis du oppdager væske på batteriene, må du tørke den forsiktig av med en klut. Unngå kontakt med huden.
- ◆ Hvis væsken kommer i kontakt med huden eller øynene, følger du instruksjonene nedenfor.

**Advarsel!** Batterivæsken kan føre til personskade eller skade på eiendom. Ved hudkontakt skyller du umiddelbart med vann. Hvis huden blir rød eller irritert eller smerter inntreffer, søk øyeblikkelig medisinsk hjelp. Hvis væsken kommer i kontakt med øynene, skyller du umiddelbart med vann og søker øyeblikkelig medisinsk hjelp.

### Ladere

Laderen er konstruert for en bestemt spenning. Kontroller alltid at nettspenningen er i overensstemmelse med spenningen på typeskiltet.

**Advarsel!** Prøv aldri å skifte ut laderen med et vanlig nettstøpsel.

- ◆ BLACK+DECKER-laderen skal bare brukes til å lade batteriet i maskinen/verktøyet som laderen kom sammen med. Andre batterier kan sprekke og føre til personskade og materiell skade.
- ◆ Prøv aldri å lade ikke-oppladbare batterier.
- ◆ Hvis strømledningen blir skadet, må den skiftes av produsenten eller et autorisert BLACK+DECKER-service-senter så man unngår fare.
- ◆ Ikke utsett laderen for vann.
- ◆ Ikke åpne laderen.
- ◆ Ikke stikk gjenstander eller fingre ned i ladere.

- ◆ Apparatet/verktøyet/batteriet må plasseres på et sted med god lufting når det lades.



Ladesokkelen er bare beregnet for bruk innendørs.

### Andre personers sikkerhet

- ◆ Det er ikke meningen at dette produktet skal brukes av personer (inkludert barn) med reduserte fysiske, sansesmessige eller mentale evner, eller som mangler erfaring og kunnskap, med mindre de har fått oppfølging eller instruksjon når det gjelder bruken av produktet, fra en person som er ansvarlig for deres sikkerhet.
- ◆ Barn skal være under oppsyn så du er sikker på at de ikke leker med verktøyet.

### Etiketter på apparatet



Les nøye gjennom denne bruksanvisningen nøye før du bruker apparatet



Bruk bare med lader SSA-GP-05

### Andre risikoer.

Ved bruk av produktet kan det oppstå ytterligere risikoer som kanskje ikke er inkludert i sikkerhetsadvarslene som følger med. Disse risikoene kan bli forårsaket av feil bruk, langvarig bruk osv. Selv om de relevante sikkerhetsbestemmelsene blir fulgt, og sikkerhetstiltakene blir gjennomført, kan visse gjenværende risikoer ikke unngås. Disse omfatter:

- ◆ Personskader som forårsakes av berøring av en roterende/bevegelig del.
- ◆ Personskader som forårsakes av at en del, et blad eller tilbehør endres.
- ◆ Personskader som forårsakes av langvarig bruk av et verktøy. Når du bruker et verktøy i lange perioder, må du sørge for å ta regelmessige pauser.
- ◆ Svekket hørsel.
- ◆ Helsefarer som forårsakes av innånding av støv som dannes når du bruker verktøyet (eksempel: arbeid med tre, spesielt eik, bøk og MDF).

LED Patterns Lade	
	Lade
	Batterifeil

LED Oppskrifter I bruk	
	batteri lav
	Tomt batteri

### Elektrisk sikkerhet

Laderen er konstruert for en bestemt spenning. Kontroller alltid at nettspenningen er i overensstemmelse med spenningen på typeskiltet. Prøv aldri å skifte ut laderen med et vanlig nettstøpsel.



Dette apparatet er dobbeltisolert. Jording er derfor ikke nødvendig. Kontroller alltid at strømforsyningen er i overensstemmelse med spenningen på typeskiltet.

### Batteridiagnostikk

Hvis apparatet registrerer svakt batteri, vil ladningsindikatoren blinke raskt når strømknappen trykkes inn. Gjør følgende:

- ◆ Sett laderen i stikkkontakten. Pass på at det er strøm i stikkkontakten.
- ◆ La apparatet bli ladet.

Hvis apparatet registrerer et skadet batteri, vil ladningsindikatoren blinke raskt når apparatet står på ladeenheten. Gjør følgende:

- ◆ Lever apparatet og laderen til et autorisert servicesenter for kontroll.

**Merknad: Det kan ta så mye som 60 minutter å avgjøre om batteriet er defekt. Hvis batteriet er for varmt eller for kaldt, veksler LED-lampen mellom å blinke raskt og langsomt, ett blink ved hver hastighet med gjentakelse.**

### Symboler på laderen



Kortslutningssikker sikkerhetstransformator.



SMPS

### Miljø



Separat avfallshåndtering. Dette produktet må ikke kastes sammen med husholdningsavfall.

Hvis du synes Black & Decker-produktet bør skiftes ut, eller du ikke har bruk for det lenger, må du ikke kaste det sammen med husholdningsavfall. Sørg for separat avfallshåndtering for dette produktet..





Hvis brukte produkter og emballasje leveres atskilt, kan materialer resirkuleres og brukes på nytt. Gjenbruk av resirkulerte materialer bidrar til redusert miljøforurensning og reduserer behovet for råmaterier.

Det kan være lokale bestemmelser for separat avfallshåndtering for elektriske produkter fra husstander på kommunale avfallsplasser eller hos forhandleren, når du kjøper et nytt produkt.

BLACK+DECKER har en ordning for innsamling og resirkulering av BLACK+DECKER-produkter som ikke skal brukes lenger. Du kan benytte denne tjenesten ved å levere produktet til et hvilket som helst autorisert serviceverksted.

Du kan finne ut hvor nærmeste autoriserte serviceverksteder, ved å kontakte din lokale BLACK+DECKER-avdeling på adressen som er oppgitt i denne håndboken. En oversikt over autoriserte BLACK+DECKER-serviceverksteder og alle opplysninger om ettersalgsservice og kontakter er også tilgjengelig på Internett: [www.2helpU.com](http://www.2helpU.com)

## Tilgjengelige tilbehør

	Cat No.
170mm nal hode	WW100SA
170mm nalbladets	WW170SB
280mm nalbladets	WW280SB
2 x 170mm micro fibre pads	WW170MPA
2 x 280mm micro fibre pads	WW280MPA

## Tekniske data

WW100 Window Washer	
Spenning	3.6V
Batteri	Lithium Ion
Vekt	745g

## Garanti

Black & Decker er trygg på kvaliteten på sine produkter og tilbyr en enestående garanti. Denne garantierklæringen kommer i tillegg til dine lovbestemte rettigheter og er ikke i konflikt med disse. Garantien er gyldig i EU- og EFTA-medlemsstatene.

Hvis et Black & Decker-produkt går i stykker på grunn av material- og/eller fabrikkasjonsfeil eller har mangler i forhold til spesifikasjonene innen 24 måneder fra kjøpet, påtar Black & Decker seg å skifte ut defekte deler, reparere produkter som har vært utsatt for alminnelig slitasje, eller bytte ut slike produkter med minst mulig vanskelighet for kunden, med mindre:

- ◆ Produktet har vært brukt i yrkes-/næringsvirksomhet eller til utleie.
- ◆ Produktet har vært utsatt for feilaktig bruk eller dårlig vedlikehold.
- ◆ Produktet har blitt skadet av fremmede gjenstander eller stoffer eller ved et uhell.
- ◆ Andre enn autoriserte serviceverksteder eller Black & Deckers serviceteknikere har forsøk å reparere produktet.

For å ta garantien i bruk må du vise kjøpskvittering til forhandleren eller til et autorisert serviceverksted. Du kan finne ut hvor nærmeste autoriserte serviceverksted er, ved å kontakte din lokale Black & Decker-avdeling på adressen som er oppgitt i denne håndboken. En oversikt over autoriserte Black & Decker-serviceverksteder og alle opplysninger om ettersalgsservice og kontakter er også tilgjengelig på Internett: [www.2helpU.com](http://www.2helpU.com)

Besøk vårt webområde [www.blackanddecker.no](http://www.blackanddecker.no) for å registrere ditt nye BLACK+DECKER-produkt og for å holde deg oppdatert om nye produkter og spesialtilbud. Du finner mer informasjon om BLACK+DECKER og produktutvalget vårt på [www.blackanddecker.no](http://www.blackanddecker.no).

## Tilsigtet brug

Din BLACK + DECKER™ WW100 vindue vasker er designet til at vaske vinduer og våde vakuum rengøring

- ◆ Kontroller regelmæssigt laderens ledning for skader. Udskift laderen, hvis ledningen er beskadiget eller defekt.
- ◆ Forsøg aldrig at fjerne eller udskifte dele ud over dem, der er beskrevet i denne vejledning.

## Sikkerhedsvejledning

### Generel elværktøj sikkerhedsadvarsler



**Advarsel! Læs alle sikkerhedsadvarsler og anvisninger.** Hvis nedenstående advarsler og anvisninger ikke følges, er der risiko for elektrisk stød, brand og/eller alvorlige personskader.



**Advarsel!** Ved brug af batteridrevne apparater er det vigtigt, at grundlæggende sikkerhedsforhold-sregler, herunder nedenstående, altid følges for at mindske risikoen for brand, batterilækage, personskader og materielle skader.

- ◆ Læs hele denne vejledning omhyggeligt, før du bruger apparatet.
- ◆ Den tilsigtede brug er beskrevet i denne vejledning. Bru-gen af ekstraudstyr eller tilbehør eller udførelse af andet arbejde med dette apparat end det, der anbefales i denne vejledning, kan udgøre en risiko for personskade.
- ◆ Opbevar denne vejledning til senere brug.

### Brug af apparatet

- ◆ Brug ikke apparatet til at opsamle væske eller stoffer, der kan være antændelige.
- ◆ Træk aldrig i laderens ledning for at afbryde laderen fra stikkontakten. Beskyt laderens ledning imod varmepåvirk-ninger, olie og skarpe kanter.
- ◆ Dette apparat må ikke bruges af børn eller svagelige personer uden opsyn. Børn skal holdes under opsyn, så det sikres, at de ikke leger med apparatet.

### Efter brug

- ◆ Træk laderen ud af stikkontakten, før laderen eller lader-ens basisenhed rengøres.
- ◆ Opbevar apparatet på et tørt sted, når det ikke er i brug.
- ◆ Børn må ikke have adgang til opbevarede apparater.

### Eftersyn og reparationer

- ◆ Før brug skal apparatet kontrolleres for beskadigede eller defekte dele. Se efter knækkede dele, skader på kontakter og eventuelle andre forhold, der kan påvirke apparatets funktion.
- ◆ Brug ikke apparatet med beskadigede eller defekte dele.
- ◆ Sørg for at få beskadigede eller defekte dele repareret eller udskiftet på et autoriseret værksted.

## Yderligere sikkerhedsinstruktioner - batterier opladere

### Batterier

- ◆ Forsøg aldrig at åbne uanset årsag.
- ◆ Batteriet må ikke udsættes for fugt.
- ◆ Batteriet må ikke udsættes for varme.
- ◆ Opbevar ikke batterier på steder, hvor temperaturen kan overstige 40°C.
- ◆ Oplad kun ved omgivelsestemperaturer mellem 10°C og 40°C.
- ◆ Brug kun den oplader, der fulgte med apparatet/værktøjet, til opladning. Brug af den forkerte oplader kan medføre elektrisk stød eller overophedning af batteriet.
- ◆ Følg vejledningen i afsnittet "Miljøbeskyttelse" ved bort-skaffelse af batterier.
- ◆ Undgå at beskadige/deformere batteripakken ved at punk-tere den eller slå på den, da dette kan forårsage risiko for tilskadekomst eller brand.
- ◆ Beskadigede batterier må ikke oplades.
- ◆ Under ekstreme forhold kan der forekomme batterilæk-age. Hvis du bemærker væske på batterierne, skal du omhyggeligt tørre den af med en klud. Undgå kontakt med huden.
- ◆ I tilfælde af kontakt med hud eller øjne skal nedenstående instruktioner følges.

**Advarsel!** Batterivæsken kan forårsage personskader eller materielle skader. I tilfælde af kontakt med huden skylles straks med vand. Søg læge, hvis der opstår rødme, smerte el-ler irritation. Skyl straks med rent vand, og søg læge i tilfælde af kontakt med øjnene.

### Ladere

Laderen er udviklet til en specifik spænding. Kontroller altid, at netspændingen svarer til spændingen på typeskiltet.

**Advarsel!** Forsøg aldrig at erstatte laderenheden med et almindeligt netstik.

- ◆ Brug kun din BLACK+DECKER-lader til at oplade batteriet i det apparat/værktøj, som den blev leveret sammen med. Andre batterier kan eksplodere og forårsage personskader og materielle skader.
- ◆ Prøv aldrig på at oplade ikke-genopladelige batterier.
- ◆ Hvis netledningen beskadiges, skal den udskiftes af producenten eller et autoriseret BLACK+DECKER-værkst-ed, så farlige situationer undgås.
- ◆ Laderen må ikke udsættes for fugt.
- ◆ Laderen må ikke åbnes.
- ◆ Undersøg ikke laderen.

- ◆ Apparatet/værktøjet/batteriet skal anbringes et sted med god udluftning, når det oplades.



Laderens basisenhed er kun beregnet til indendørs brug.

### Etiketter på apparatet



Læs denne vejledning omhyggeligt, før du bruger apparatet



Brug kun med oplader SSA-GP-05

### Andres sikkerhed

- ◆ Dette apparat må ikke bruges af personer (herunder børn) med nedsatte fysiske, sensoriske eller mentale evner eller manglende erfaring og viden, medmindre det sker under overvågning, eller der gives instruktion i brugen af apparatet af en person, der er ansvarlig for deres sikkerhed.
- ◆ Børn skal holdes under opsyn, så det sikres, at de ikke leger med værktøjet.

### Restrisici.

Der kan opstå yderligere restrisici under brugen af værktøjet, som ikke kan medtages i vedlagte sikkerhedsadvarsler. Disse risici kan opstå pga. forkert anvendelse, langvarig brug etc. Selv ved overholdelse af relevante sikkerhedsforskrifter og anvendelse af sikkerhedsudstyr kan visse restrisici ikke undgås. Disse omfatter:

- ◆ Tilskadekomst forårsaget af berøring af roterende/bevægelige dele.
- ◆ Tilskadekomst forårsaget af udskiftning af dele, blade eller tilbehør.
- ◆ Tilskadekomst forårsaget af langvarig brug af et værktøj. Husk at holde pause jævnligt ved brug af et værktøj i længere tid.
- ◆ Høreskader.
- ◆ Sundhedsrisici forårsaget af indånding af støv, der genereres ved brug af værktøjet (eksempel: Arbejde med træ, især eg, bøg og MDF).

### Elektricitet og sikkerhed

Laderen er udviklet til en specifik spænding. Kontroller altid, at netspændingen svarer til spændingen på typeskiltet. Forsøg aldrig at erstatte laderenheden med et almindeligt netstik.



Denne maskine er dobbelt isoleret. Derfor er jordledning ikke nødvendig. Kontroller altid, at strømforsyningen svarer til spændingen på typeskiltet.

### Symboler på laderen



Kortslutningsbeskyttet sikkerhed isolere transformer.



SMPS

LED Mønstre Opladning	
	Opladning
	Batteri Fejl

LED Patterns In use	
	Batteri lavt
	Batteri tom

### Batteri diagnostik

Hvis apparatet registrerer et svagt batteri, blinker ladeindikatoren hurtigt rødt, når strømknappen er trykket ned.

Fortsæt som følger:

- ◆ Tilslut opladeren. Tænd på stikkontakten.
- ◆ Lad apparatet blive opladet.

Hvis apparatet registrerer et adslagt batteri, blinker ladeindikatoren hurtigt, når apparatet er i laderens basisenhed.

Fortsæt som følger:

- ◆ Indlever apparatet og laderen til testning på et autoriseret servicecenter.

**Bemærk: Det kan tage op til 60 minutter at konstatere, at batteriet er defekt. Hvis batteriet er for varmt eller koldt, blinker lysdioden skiftevis hurtigt og langsomt med et blink ved hver frekvens, hvorefter sekvensen gentages.**

### Miljø



Separat bortskaffelse. Dette produkt må ikke bortskaffes sammen med almindeligt husholdningsaffald.

Når dit BLACK+DECKER-produkt en dag er udtjent, eller du ikke længere har brug for det, må du ikke smide det ud sammen med det almindelige affald. Produktet skal bortskaffes separat.



Ved separat bortskaffelse af brugte produkter og emballage bliver der mulighed for at genanvende forskellige materialer. Genanvendelse af materialer medvirker til at forebygge miljøforurening og mindsker behovet for råstoffer.

Lokal lovgivning kan kræve separat indsamling af elektriske husholdningsapparater på kommunale affaldsdepoter eller af den detailhandlende ved køb af et nyt produkt.

BLACK+DECKER sørger for at indsamle og genanvende BLACK+DECKER-produkter, når disse ikke længere kan bruges. Hvis du vil benytte dig af denne service, skal du returnere produktet til et autoriseret værksted, der indsamler produkterne for os.

Kontakt det lokale BLACK+DECKER-kontor på den adresse, der er opgivet i denne vejledning, for at få oplysninger om nærmeste autoriserede værksted. En liste over alle autoriserede BLACK+DECKER-serviceværksteder samt servicevilkår og kontaktpersoner er tilgængelig på internettet på adressen: [www.2helpU.com](http://www.2helpU.com)

## Tilgængeligt tilbehør

Cat No.	
170mm sugefod Hoved	WW100SA
170mm gummiskraberbladene	WW170SB
280mm gummiskraberbladene	WW280SB
2 x 170mm microfiber puderne	WW170MPA
2 x 280mm microfiber puderne	WW280MPA

## Tekniske data

WW100 Window Washer	
Spænding	3.6V
Batteri	Lithium Ion
Vægt	745g

## Garanti

Black & Decker garanterer, at produktet er fri for skader og fejl og tilbyder en fremragende garanti. Garantien er et tillæg til forbrugers lovsikrede rettigheder og påvirker ikke disse. Garantien gælder inden for medlemsstaterne af den Europæiske Union og i det Europæiske Frihandelsområde.

Hvis et Black & Decker-produkt går i stykker på grund af materiel skade og/eller fabriksfejl eller på anden måde ikke fungerer i overensstemmelse med specifikationen inden for 24 måneder fra købsdatoen, påtager Black & Decker sig at reparere eller ombytte produktet med mindst mulig ulempe for kunden. Garantien gælder ikke for fejl og mangler, der er sket i forbindelse med:

- ◆ Produktet har været anvendt erhvervs-mæssigt eller til udlejning.
- ◆ Produktet har været anvendt forkert eller er ikke vedligeholdt.
- ◆ Produktet er beskadiget af fremmedlegemer, substanser eller pga. uheld.
- ◆ Garantien gælder ikke, hvis reparationer er udført af andre end et autoriseret Black & Decker-værksted.

For at udnytte garantien skal produktet og købskvitteringen indleveres til forhandleren eller til et autoriseret værksted. Kontakt det lokale Black & Decker-kontor på den adresse, der er angivet i denne vejledning, for at få oplysninger om nærmeste autoriserede værksted. En liste over alle autoriserede

Black & Decker-serviceværksteder samt servicevilkår og kontaktpersoner er tilgængelig på internettet på adressen: [www.2helpU.com](http://www.2helpU.com)

Gå venligst ind på vores website [www.blackanddecker.dk](http://www.blackanddecker.dk) for at registrere dit nye produkt og for at blive holdt ajour om nye produkter og specialtilbud. Der findes yderligere oplysninger om mærket BLACK+DECKER og vores produktsortiment på adressen [www.blackanddecker.dk](http://www.blackanddecker.dk)

## Käyttötarkoitus

BLACK+DECKER™ WW100 Pesin on suunniteltu pesemään ikkunoita ja märkäimurit puhdistusta varten

## Turvallisuusohjeet

### Yleinen sähkötyökaluja turvavaroituksia



**Varoitus! Lue kaikki turvavaroitukset ja ohjeet.** Alla olevien varoitusten ja ohjeiden noudattamisen laiminlyönti saattaa johtaa sähköiskuun, tulipaloon ja/tai vakavaan loukkaantumiseen.



**Varoitus!** Käytettäessä akkukäyttöisiä laitteita on aina noudatettava perusvaroittoimenpiteitä palovaaran, vuotavien akkujen, henkilövahinkojen ja aineellisten vaurioiden välttämiseksi.

- ◆ Lue tämä käyttöopas huolellisesti ennen laitteen käyttöä.
- ◆ Käyttötarkoitus kuvataan tässä käyttöohjeessa. Muiden kuin tässä käyttöohjeessa suositeltujen lisävarusteiden tai -osien käyttö sekä laitteen käyttö muuhun kuin käyttöohjeessa suositeltuun tarkoitukseen voi aiheuttaa henkilövahingon vaaran.
- ◆ Säilytä tämä käyttöohje tulevaa tarvetta varten.

### Laitteen käyttö

- ◆ Älä käytä laitetta nesteiden tai syttyvien materiaalien keräämiseen.
- ◆ Älä koskaan irrota laturia pistorasiasta vetämällä virtajohtodosta. Pidä laturin virtajohto etäällä lämmönlähteistä, öljyistä ja terävistä reunoista.
- ◆ Tätä laitetta ei ole tarkoitettu nuorten tai lihasvoimaltaan heikkojen henkilöiden käyttöön ilman valvontaa. Lapsia on valvottava ja estettävä leikkimästä laitteella.

### Käytön jälkeen

- ◆ Irrota laturi pistorasiasta ennen laturin puhdistamista.
- ◆ Kun laitetta ei käytetä, se on säilytettävä kuivassa paikassa.
- ◆ Pidä laite lasten ulottumattomissa.

### Tarkastus ja korjaus

- ◆ Tarkista ennen laitteen käyttöä, ettei laitteessa ole vahingoittuneita tai viallisia osia. Tarkista osien ja kytkimien kunto sekä muut seikat, jotka voivat vaikuttaa laitteen toimintaan.
- ◆ Älä käytä laitetta, jos jokin osa on vahingoittunut tai viallinen.
- ◆ Korjauta tai vaihdata vaurioituneet tai vialliset osat valtuutetussa huoltoliikkeessä.

- ◆ Tarkista säännöllisesti, ettei laturin virtajohto ole vahingoittunut. Vaihda laturi, jos virtajohto on vahingoittunut tai viallinen.
- ◆ Älä koskaan yritä korjata tai vaihtaa muita kuin tässä käyttöohjeessa erikseen määriteltyjä osia.

### Akkua ja laturia koskevat turvaohjeet

#### Akku

- ◆ Älä koskaan yritä avata akkua.
- ◆ Älä anna akun kastua.
- ◆ Älä altista akkua kuumuudelle.
- ◆ Älä säilytä akkua tiloissa, joissa lämpötila voi nousta yli 40°C:n.
- ◆ Lataa akku paikassa, jonka lämpötila on vähintään 10°C ja enintään 40°C.
- ◆ Käytä akun lataamiseen vain laitteen mukana toimitettua laturia. Väärän tyyppinen laturi voi aiheuttaa sähköiskun tai akun ylikuumenemisen.
- ◆ Noudata akkujen hävittämisessä kohdassa Ympäristön-suojelu esitettyjä ohjeita.
- ◆ Suojaa akkua vahingoittumiselta niin, ettei sen kotelo rikkoudu eikä siihen kohdistu iskuja, sillä muutoin voi syntyä henkilövahinkojen ja tulipalon vaara.
- ◆ Älä lataa viallisia akkuja.
- ◆ Vaativissa oloissa voi ilmetä akkuvuotoja. Jos havaitset akkujen pinnalla nestettä, pyyhi se huolellisesti pois. Vältä ihokosketusta.
- ◆ Jos nestettä joutuu silmiin tai iholle, noudata alla olevia ohjeita.

**Varoitus!** Akkuneste voi aiheuttaa aineellisia vahinkoja tai henkilövahinkoja. Jos nestettä joutuu iholle, se on välittömästi huuhdeltava pois vedellä. Jos ihoa kirvelee tai se punoittaa tai on muuten ärtynyt, kysy lisäohjeita lääkäriltä. Jos nestettä joutuu silmiin, huuho välittömästi puhtaalla vedellä ja mene lääkäriin.

#### Laturit

Laturi on tarkoitettu tietyille jännitteelle. Tarkista aina, että verkkojännite vastaa arvokilvessä ilmoitettua jännitettä.

**Varoitus!** Älä yritä korvata laturiyksikköä tavallisella verkopistokkeella.

- ◆ Käytä BLACK+DECKERin laturia vain laitteen/työkalun mukana toimitetun akun lataamiseen. Muut akut voivat räjähtää ja aiheuttaa henkilövahinkoja tai aineellisia vahinkoja.
- ◆ Älä koskaan yritä ladata paristoja, joita ei ole tarkoitettu ladattavaksi.
- ◆ Jos virtajohto vahingoittuu, sen vaihtaminen tulee turvallisuusyistä jättää valmistajan tai valtuutetun BLACK+DECKER -huollon tehtäväksi.
- ◆ Älä altista laturia vedelle.
- ◆ Älä avaa laturia.

- ◆ Älä työnnä mitään laturin sisään.
- ◆ Lataa laite/työkalu/akku paikassa, jossa on kunnollinen ilmanvaihto.

### Muiden turvallisuus

- ◆ Tätä laitetta ei ole tarkoitettu sellaisten henkilöiden käyttöön, joilla on fyysisiä tai älyllisiä rajoitteita tai aistirajoitteita, eikä laitteen toimintaan perehtymättömien henkilöiden käyttöön (lapset mukaan luettuina), paitsi valvonnan alaisina tai jos he ovat saaneet laitteen käyttöön liittyvää opastusta heidän turvallisuudestaan vastaavalta henkilöltä.
- ◆ Lapsia on valvottava ja heitä on estettävä leikkimästä laitteella.

### Muut riskit.

Muut riskit ovat mahdollisia, jos käytät työkalua muulla kuin turvavaroituksissa mainitulla tavalla. Nämä riskit voivat liittyä muun muassa virheelliseen tai pitkäaikaiseen käyttöön.

Tiettyjä jäännösriskejä ei voi välttää, vaikka noudatat kaikkia turvamääräyksiä ja käytät turvalaitteita. Näihin kuuluvat muun muassa

- ◆ pyörivien tai liikkuvien osien koskettamisen aiheuttamat vahingot
- ◆ osia, teriä tai lisävarusteita vaihdettaessa aiheutuneet vahingot
- ◆ työkalun pitkäaikaisen käytön aiheuttamat vahingot. Kun käytät työkalua pitkään, varmista, että pidät säännöllisesti taukoja.
- ◆ kuulovauriot
- ◆ työkalua käytettäessä (esimerkiksi puuta, erityisesti tammea, pyökkiiä ja MDF-levyjä, käsiteltäessä) syntyneen pölyn sisäinhengityksen aiheuttamat terveysriskit.

### Sähköturvallisuus

Laturi on tarkoitettu tietylle jännitteelle. Tarkista aina, että verkkojännite vastaa arvokilvessä ilmoitettua jännitettä. Älä yritä korvata laturiyksikköä tavallisella verkkopistokkeella.



Tämä työkalu on kaksoiseristetty, joten erillistä maadoitusta ei tarvita. Tarkista aina, että virtälähde vastaa arvokilvessä ilmoitettua jännitettä.

### Laturin symbolit



Oikosulkusuojattu suojaerotusmuuntaja.



SMPS



Laturi on tarkoitettu ainoastaan sisäkäyttöön.

### Tarrat laite



Lue tämä käyttöohje huolellisesti ennen laitteen käyttöä



Käytä vain laturi SSA-GP-05

LED kuviot Lataus	
	Lataus
	Akun vika

LED kuviot Käytössä	
	akku lähes
	akku Tyhjät

### Akun vianmääritys

Jos laite havaitsee lähes tyhjän akun, latauksen merkkivalo vilkkuu nopeasti, kun virtapainiketta painetaan. Toimi seuraavasti:

- ◆ Kytke laturi pistorasiaan. Kytke virta.
- ◆ Jätä laite lataamaan.

Jos laite havaitsee viallisen akun, latauksen merkkivalo vilkkuu nopeasti, kun laite on asetettu laturiin. Toimi seuraavasti:

- ◆ Vie laite ja laturi huoltopisteeseen testattavaksi.

**Huomautus: Akun kunnon määrittäminen voi kestää 60 minuuttia. Jos akku on liian kuuma tai kylmä, latauksen merkkivalo vilkkuu vuoroin nopeasti ja hitaasti.**

## Ympäristönsuojelu



Erillinen keräys. Tätä tuotetta ei saa hävittää normaalin kotitalousjätteen mukana.

Kun BLACK+DECKER -laitteesi aikanaan täytyy vaihtaa tai ei kelpaa enää käyttöön, älä hävitä laitetta kotitalousjätteen mukana. Toimita laite kierrätettäväksi.



Käytettyjen tuotteiden ja pakkausmateriaalien erilliskeruun avulla materiaalit voidaan kierrättää ja käyttää uudelleen. Kierrätysmateriaalien käyttö auttaa vähentämään ympäristön saastumista ja uusien raaka-aineiden tarvetta.

Paikallisissa säädöksissä voidaan määrätä, että kodin sähkötuotteiden keruu tapahtuu kaupunkien jätteidenkäsittelyasemilla tai laitteita myyvissä liikkeissä uuden tuotteen oston yhteydessä.

Kun laitteesi on käytetty loppuun, älä hävitä sitä tavallisten roskien mukana, vaan vie se paikkakuntasi kierrätyskeskukseen tai jätä se valtuutettuun BLACK+DECKERin huoltoliikkeen.

Saat valtuutettujen huoltoliikkeiden yhteystiedot ottamalla yhteyden BLACK+DECKER Oy:hyn tässä käyttöoppaassa ilmoitetussa osoitteessa. Valtuutettujen BLACK+DECKER -huoltoliikkeiden yhteystiedot sekä lisätietoja palveluistamme ja takuuehdoista on myös Internetissä osoitteessa [www.2helpU.com](http://www.2helpU.com).

## Saatavilla Tarvikkeet

Cat No.	
170mm Kumilasta pää	WW100SA
170mm vetolastan lapa	WW170SB
280mm vetolastan lapa	WW280SB
2 x 170mm mikrokuituliina tynnyille	WW170MPA
2 x 280mm mikrokuituliina tynnyille	WW280MPA

## Tekniset tiedot

WW100 Window Washer	
Jännite	3.6V
Akku	Lithium Ion
Paino	745g

## Takuu

Black & Decker takaa, ettei tuotteessa ole materiaali- ja/tai valmistusvikaa silloin, kun se toimitetaan ostajalle. Takuu on lisäksi kuluttajan laillisiin oikeuksiin eikä vaikuta niihin. Takuu on voimassa Euroopan unionin jäsenmaissa ja Euroopan vapaakauppa-alueella (EFTA).

Mikäli Black & Decker -kone hajoaa materiaali- ja/tai valmistusvirheen tai teknisten tietojen epätarkkuuden vuoksi 24 kk:n kuluessa ostopäivästä, Black & Decker korjaa koneen ilman kustannuksia ostajalle tai vaihtaa sen Black & Decker Oy:n valinnan mukaan. Takuu ei kata vikoja, jotka johtuvat seuraavista:

- ◆ Tuotetta on käytetty kaupallisesti, ammattimaisesti tai vuokraukseen.
- ◆ Tuotetta on käytetty tai hoidettu virheellisesti.
- ◆ Tuotetta on vahingoitettu vieraalla esineellä tai aineella tai se on ollut onnettomuudessa.
- ◆ Jos korjauksia on yrittänyt joku muu kuin Black & Deckerin valtuuttama edustaja tai Black & Deckerin henkilökunta.

Edellytyksenä takuun saamiselle on, että ostaja jättää koneen ja ostokuitin jälleenmyyjälle tai valtuutetulle huoltoliikkeelle. Saat valtuutettujen huoltoliikkeiden yhteystiedot ottamalla yhteyden Black & Decker Oy:hyn tässä käyttöoppaassa ilmoitetussa osoitteessa. Valtuutettujen Black & Decker -huoltoliikkeiden yhteystiedot sekä lisätietoja palveluistamme ja takuuehdoista on myös Internetissä osoitteessa [www.2helpU.com](http://www.2helpU.com).

Voit rekisteröidä uuden BLACK+DECKER -tuotteesi ja tarkastella tietoja uusista tuotteista ja erikoistarjousista verkkosivuiltamme [www.blackanddecker.fi](http://www.blackanddecker.fi). Saat lisätietoja BLACK+DECKERin tavaramerkistä ja tuotevalikoimastamme osoitteesta [www.blackanddecker.fi](http://www.blackanddecker.fi).

## Ενδεδειγμένη χρήση

BLACK + DECKER™ WW100 Παράθυρο Πλυντήρια έχει σχεδιαστεί για το πλύσιμο των παραθύρων και τους σκοπούς υγρό καθαρίσματος με ηλεκτρική σκούπα

## Οδηγίες ασφαλείας

### Προειδοποιήσεις ασφάλειας Γενικό ηλεκτρικό εργαλείο



**Προειδοποίηση!** Διαβάστε όλες τις υποδείξεις και όλες τις οδηγίες. Η μη τήρηση των παρακάτω προειδοποιήσεων και οδηγιών μπορεί να προκαλέσει ηλεκτροπληξία, πυρκαγιά ή/και σοβαρούς τραυματισμούς.



**Προειδοποίηση!** Κατά τη χρήση συσκευών που τροφοδοτούνται με μπαταρία, θα πρέπει να λαμβάνονται οι βασικές προφυλάξεις ασφαλείας, συμπεριλαμβανομένων των παρακάτω, για τον περιορισμό του κινδύνου πυρκαγιάς, διαρροής υγρών μπαταρίας, τραυματισμού προσώπων και υλικών ζημιών.

- ◆ Πριν χρησιμοποιήσετε τη συσκευή διαβάστε προσεκτικά ολόκληρο το εγχειρίδιο.
- ◆ Η προοριζόμενη χρήση περιγράφεται σε αυτό το εγχειρίδιο. Τόσο η χρήση εξαρτημάτων ή προσαρτημάτων όσο και η πραγματοποίηση εργασιών με τη συσκευή που δε συνιστώνται σε αυτό το εγχειρίδιο οδηγιών εγκυμονεί κίνδυνο τραυματισμού.
- ◆ Φυλάξτε αυτό το εγχειρίδιο για μελλοντική αναφορά.

### Χρήση της συσκευής σας

- ◆ Μη χρησιμοποιείτε τη συσκευή για να περισυλλέξετε υγρά ή άλλα υλικά που θα μπορούσαν να πιάσουν φωτιά.
- ◆ Ποτέ μην αποσυνδέετε το φορτιστή από την πρίζα τραβώντας τον από καλώδιό του. Διατηρείτε το καλώδιο φορτιστή σε απόσταση από πηγές θερμότητας, λάδια και κοφτερές αιχμές.
- ◆ Αυτή η συσκευή δεν προορίζεται για χρήση από νεαρά ή αδύναμα άτομα χωρίς επίβλεψη. Τα παιδιά πρέπει να επιτηρούνται για να είστε σίγουροι ότι δεν παίζουν με τη συσκευή.

### Μετά τη χρήση

- ◆ Πριν καθαρίσετε το φορτιστή ή τη βάση φόρτισης αποσυνδέστε τον από την πρίζα.
- ◆ Όταν δε χρησιμοποιείται, η συσκευή πρέπει να φυλάσσεται σε στεγνό χώρο.
- ◆ Τα παιδιά δεν πρέπει να έχουν πρόσβαση σε αποθηκευμένες συσκευές.

### Έλεγχος και επισκευή

- ◆ Πριν από τη χρήση, ελέγξτε τη συσκευή σας για τυχόν κατεστραμμένα ή ελαττωματικά εξαρτήματα. Ελέγξτε αν υπάρχουν σπασμένα εξαρτήματα, ζημιά σε διακόπτες και οτιδήποτε άλλο που μπορεί να επηρεάσει τη λειτουργία της.
- ◆ Μη χρησιμοποιείτε τη συσκευή εάν οποιοδήποτε εξάρτημα είναι κατεστραμμένο ή ελαττωματικό.
- ◆ Φροντίστε να γίνει η επισκευή ή η αντικατάσταση των τυχόν ελαττωματικών εξαρτημάτων από εξουσιοδοτημένο κέντρο επισκευών.
- ◆ Να ελέγχετε τακτικά την κατάσταση του καλωδίου του φορτιστή. Σε περίπτωση που το καλώδιο του φορτιστή παρουσιάζει ζημιά ή ελάττωμα, αντικαταστήστε το φορτιστή.
- ◆ Μην επιχειρήσετε ποτέ να αφαιρέσετε ή να αντικαταστήσετε οποιοδήποτε εξάρτημα, εκτός από αυτά που καθορίζονται σε αυτό το εγχειρίδιο.

### Συμπληρωματικές οδηγίες ασφαλείας - μπαταρίες και φορτιστές

#### Μπαταρίες

- ◆ Μην επιχειρήσετε ποτέ να ανοίξετε τις μπαταρίες για οποιονδήποτε λόγο.
- ◆ Μην εκθέτετε την μπαταρία σε νερό.
- ◆ Μην εκθέτετε την μπαταρία σε θερμότητα.
- ◆ Μη φυλάσσετε τις μπαταρίες σε μέρα όπου η θερμοκρασία μπορεί να υπερβεί τους 40°C.
- ◆ Η φόρτιση πρέπει να γίνεται μόνο σε θερμοκρασίες περιβάλλοντος μεταξύ 10°C και 40°C.
- ◆ Η φόρτιση πρέπει να γίνεται μόνο με το φορτιστή που παρέχεται μαζί με τη συσκευή/εργαλείο. Η χρήση άλλου φορτιστή μπορεί να προκαλέσει ηλεκτροπληξία ή υπερθέρμανση της μπαταρίας.
- ◆ Όταν απορρίπτετε τις μπαταρίες, ακολουθήστε τις οδηγίες που δίνονται στην ενότητα "Προστασία του περιβάλλοντος".
- ◆ Μην καταστρέψετε/παραμορφώνετε την μπαταρία είτε τρυπώντας ή χτυπώντας την, διότι μπορεί να προκληθεί κίνδυνος τραυματισμού ή πυρκαγιάς.
- ◆ Μη φορτίζετε τις κατεστραμμένες μπαταρίες.
- ◆ Κάτω από ακραίες συνθήκες, μπορεί να επέλθει διαρροή υγρών μπαταρίας. Αν παρατηρήσετε υγρό πάνω στις μπαταρίες, σκουπίστε το προσεκτικά με ένα πανί. Αποφύγετε την επαφή με το δέρμα.
- ◆ Στην περίπτωση επαφής με το δέρμα ή τα μάτια, ακολουθήστε τις παρακάτω οδηγίες.

**Προειδοποίηση!** Το υγρό της μπαταρίας μπορεί να προκαλέσει τραυματισμό ή υλικές ζημιές. Στην περίπτωση επαφής με το δέρμα, ξεπλύνετε αμέσως με άφθονο νερό. Αν παρουσιάσει κοκκίνισμα του δέρματος, πόνος ή ερεθισμός, ζητήστε ιατρική βοήθεια.



Στην περίπτωση επαφής με τα μάτια, ξεπλύνετε αμέσως με άφθονο καθαρό νερό και ζητήστε ιατρική βοήθεια.

### Φορτιστές

Ο φορτιστής σας είναι σχεδιασμένος για μια συγκεκριμένη ηλεκτρική τάση. Ελέγχετε πάντα αν η τάση τροφοδοσίας αντιστοιχεί σε αυτήν που αναγράφεται στην πινακίδα χαρακτηριστικών.

**Προειδοποίηση!** Ποτέ μην επιχειρείτε να αντικαταστήσετε τη μονάδα φορτιστή με έναν κανονικό ρευματολήπτη.

- ◆ Ο φορτιστής BLACK+DECKER πρέπει να χρησιμοποιείται αποκλειστικά και μόνο για τη φόρτιση της μπαταρίας της συσκευής/του εργαλείου που συνοδεύει. Άλλες μπαταρίες μπορεί να εκραγούν, προκαλώντας τραυματισμό και ζημιές.
- ◆ Μην επιχειρήσετε ποτέ να φορτίσετε μη επαναφορτιζόμενες μπαταρίες.
- ◆ Αν το καλώδιο ρεύματος έχει υποστεί φθορά, πρέπει να αντικατασταθεί από τον κατασκευαστή ή από ένα εξουσιοδοτημένο κέντρο επισκευών της BLACK+DECKER, ώστε να μην αποτελέσει κίνδυνο.
- ◆ Μην εκθέτετε το φορτιστή σε νερό.
- ◆ Μην ανοίγετε το φορτιστή.
- ◆ Μην επεμβαίνετε στο φορτιστή.
- ◆ Κατά τη φόρτιση, η συσκευή/το εργαλείο/η μπαταρία πρέπει να βρίσκεται σε καλά αεριζόμενο χώρο.

### Ασφάλεια τρίτων

- ◆ Αυτή η συσκευή δεν προορίζεται για χρήση από άτομα (στα οποία περιλαμβάνονται και τα παιδιά) με μειωμένες φυσικές, αντιληπτικές ή διανοητικές ικανότητες ή άτομα χωρίς εμπειρία και γνώσεις, παρά μόνο εφόσον επιτηρούνται ή τους έχουν δοθεί οδηγίες σχετικά με τη χρήση της συσκευής από άτομο υπεύθυνο για την ασφάλειά τους.
- ◆ Τα παιδιά πρέπει να επιτηρούνται για να διασφαλίζεται ότι δεν παίζουν με τη συσκευή.

### Αναπόφευκτοι κίνδυνοι.

Μπορεί να προκληθούν επιπρόσθετοι αναπόφευκτοι κίνδυνοι όταν χρησιμοποιείτε τη συσκευή οι οποίοι μπορεί να μη συμπεριλαμβάνονται στις προειδοποιήσεις ασφαλείας που εσωκλείονται. Αυτοί οι κίνδυνοι μπορεί να προκληθούν από κακή χρήση, παρατεταμένη χρήση κτλ.

Ακόμα και με την τήρηση των σχετικών κανονισμών ασφαλείας και τη χρήση μέσων προστασίας, ορισμένοι κίνδυνοι δεν είναι δυνατό να εξαλειφθούν. Αυτοί περιλαμβάνουν:

- ◆ Τραυματισμούς από το άγγιγμα των περιστρεφόμενων/κινούμενων εξαρτημάτων.
- ◆ Τραυματισμούς από αλλαγή οποιωνδήποτε εξαρτημάτων, λεπίδων ή αξεσουάρ.

- ◆ Τραυματισμούς από παρατεταμένη χρήση της συσκευής. Όταν χρησιμοποιείτε οποιαδήποτε συσκευή για παρατεταμένες χρονικές περιόδους βεβαιωθείτε ότι κάνετε τακτικά διαλείμματα.
- ◆ Προβλήματα ακοής.
- ◆ Κίνδυνοι στην υγεία που προκαλούνται από την εισπνοή σκόνης που δημιουργείται όταν χρησιμοποιείτε τη συσκευή (παράδειγμα:- όταν επεξεργάζεστε ξύλο, ειδικά δρυ, οξά και MDF).

### Ασφαλής χρήση του ηλεκτρικού ρεύματος

Ο φορτιστής σας είναι σχεδιασμένος για μια συγκεκριμένη ηλεκτρική τάση. Ελέγχετε πάντα αν η τάση τροφοδοσίας αντιστοιχεί σε αυτήν που αναγράφεται στην πινακίδα χαρακτηριστικών. Ποτέ μην επιχειρείτε να αντικαταστήσετε τη μονάδα φορτιστή με έναν κανονικό ρευματολήπτη.



Αυτή η συσκευή διαθέτει διπλή μόνωση, επομένως δεν απαιτείται καλώδιο γείωσης. Ελέγχετε πάντοτε αν η τάση τροφοδοσίας αντιστοιχεί με αυτήν που αναγράφεται στην πινακίδα χαρακτηριστικών.

### Σύμβολα επάνω στο φορτιστή



Βραχυκύκλωμα ασφαλείας απόδειξη μετασχηματιστή απομόνωσης.



SMPS



Η βάση φόρτισης προορίζεται για χρήση σε εσωτερικούς χώρους μόνο..

### Ετικέτες σε συσκευή



Διαβάστε ολόκληρο το εγχειρίδιο προσεκτικά πριν χρησιμοποιήσετε τη συσκευή



Χρησιμοποιήστε με φορτιστή SSA-GP-05 μόνο

**Μοτίβα LED φόρτισης**

	Φόρτιση
	Βλάβη της μπαταρίας

**Μοτίβα LED Κατά τη χρήση**

	χαμηλού επιπέδου μπαταρίας
	Άδεια μπαταρία

**Διαγνωστικά μπαταρίας**

Εάν η συσκευή εντοπίσει μια ασθενή μπαταρία, η ενδεικτική λυχνία φόρτισης (3) αρχίζει να αναβοσβήνει με γρήγορο ρυθμό όταν πιεστεί το κουμπί ισχύος (1). Προχωρήστε ως εξής:

- ♦ Βάλτε το φορτιστή στην πρίζα. Ενεργοποιήστε από το δίκτυο.
  - ♦ Αφήστε τη συσκευή να φορτίσει.
- Εάν η συσκευή εντοπίσει μια κατεστραμμένη μπαταρία, η ενδεικτική λυχνία φόρτισης (3) αρχίζει να αναβοσβήνει με γρήγορο ρυθμό όταν η συσκευή βρίσκεται στη βάση φορτιστή. Προχωρήστε ως εξής:
- ♦ ΤΠηγαίνετε τη συσκευή και το φορτιστή για έλεγχο σε ένα εξουσιοδοτημένο κέντρο επισκευών.

**Σημείωση:** Μπορεί να χρειαστούν μέχρι και 60 λεπτά για να εξακριβωθεί εάν η μπαταρία είναι ελαττωματική. Εάν η μπαταρία είναι πολύ ζεστή ή πολύ κρύα, η ενδεικτική λυχνία LED θα αναβοσβήνει εναλλάξ με γρήγορο και αργό ρυθμό, συγκεκριμένα, θα αναβοσβήνει μια φορά σε κάθε ρυθμό και πάλι από την αρχή.

**Προστασία του περιβάλλοντος**

Ξεχωριστή περισυλλογή. Αυτό το προϊόν δεν πρέπει να απορρίπτεται μαζί με τα κοινά οικιακά απορρίμματα.

Εάν κάποια μέρα διαπιστώσετε ότι το προϊόν σας Black & Decker χρειάζεται αντικατάσταση ή ότι δεν το χρειάζεστε άλλο, μην το απορρίψετε μαζί με τα κοινά οικιακά απορρίμματα, αλλά διαθέστε αυτό το προϊόν για ξεχωριστή περισυλλογή.



Η ξεχωριστή περισυλλογή των μεταχειρισμένων προϊόντων και των υλικών συσκευασίας επιτρέπει την ανακύκλωση και επαναχρησιμοποίηση των υλικών. Με την επαναχρησιμοποίηση των ανακυκλωμένων υλικών αποτρέπεται η μόλυνση του περιβάλλοντος και μειώνεται η ζήτηση πρώτων υλών.

Οι κανονισμοί που ισχύουν στην περιοχή σας ενδέχεται να προβλέπουν την ξεχωριστή περισυλλογή των ηλεκτρικών συσκευών που προέρχονται από νοικοκυριά σε δημοτικές εγκαταστάσεις ή από τον έμπορο όταν αγοράσετε ένα καινούργιο προϊόν.

Η BLACK+DECKER δίνει τη δυνατότητα ανακύκλωσης των προϊόντων της που έχουν συμπληρώσει τη διάρκεια ζωής τους. Για να χρησιμοποιήσετε αυτήν την υπηρεσία, επιστρέψτε το προϊόν σας σε οποιοδήποτε εξουσιοδοτημένο κέντρο επισκευών, όπου θα το παραλάβουν εκ μέρους μας.

Ενημερωθείτε για το πλησιέστερο εξουσιοδοτημένο κέντρο επισκευών της περιοχής σας, επικοινωνώντας με τα γραφεία της BLACK+DECKER στη διεύθυνση που αναγράφεται στο εγχειρίδιο. Επίσης, μια λίστα με τα εξουσιοδοτημένα κέντρα τεχνικής εξυπηρέτησης της BLACK+DECKER και πλήρεις λεπτομέρειες για τις υπηρεσίες που παρέχονται μετά την πώληση καθώς και στοιχεία επικοινωνίας υπάρχουν στο Διαδίκτυο, στη διεύθυνση: [www.2helpU.com](http://www.2helpU.com)

**Διαθέσιμα Αξεσουάρ**

Cat No.	
170mm ελαστικό μάκτρο επικεφαλής	WW100SA
170mm ελαστικό μάκτρο λεπίδα	WW170SB
280mm ελαστικό μάκτρο λεπίδα	WW280SB
2 x 170mm τακάκια μικροίνες	WW170MPA
2 x 280mm τακάκια μικροίνες	WW280MPA

**Τεχνικά χαρακτηριστικά**

WW100 Παράθυρο Πλυντήρια	
Τάση	3.6V
Μπαταρία	Lithium Ion
Βάρος	745g

## Εγγύηση

Η Black & Decker είναι σίγουρη για την ποιότητα των προϊόντων της και παρέχει μια εξαιρετική εγγύηση. Η παρούσα γραπτή εγγύηση αποτελεί πρόσθετο δικαίωμά σας και δε ζημιώνει τα νόμιμα δικαιώματά σας. Η εγγύηση ισχύει εντός της επικράτειας των Κρατών Μελών της Ευρωπαϊκής Ένωσης και της Ευρωπαϊκής Ζώνης Ελευθέρων Συναλλαγών.

Σε περίπτωση που κάποιο προϊόν της Black & Decker παρουσιάσει βλάβη εξαιτίας ελαττωματικών υλικών, ποιότητας εργασίας ή έλλειψης συμφωνίας με τις προδιαγραφές εντός 24 μηνών από την ημερομηνία αγοράς, η Black & Decker εγγυάται την αντικατάσταση των ελαττωματικών τμημάτων, την επισκευή προϊόντων που έχουν υποστεί εύλογη φθορά λόγω χρήσης ή την αντικατάσταση των προϊόντων προκειμένου να εξασφαλίσει την ελάχιστη ενόχληση στους πελάτες της, εκτός εάν:

- ◆ Το προϊόν έχει χρησιμοποιηθεί σε εργασιακό, επαγγελματικό περιβάλλον ή έχει ενοικιαστεί.
- ◆ Έχει γίνει εσφαλμένη χρήση του προϊόντος ή έχει παραμεληθεί.
- ◆ Το προϊόν έχει υποστεί βλάβη από άλλα αντικείμενα, από ουσίες ή λόγω ατυχήματος.
- ◆ Έχει γίνει προσπάθεια επισκευής από μη εξουσιοδοτημένα κέντρα επισκευών ή από προσωπικό που δεν ανήκει στο προσωπικό της Black & Decker..

Για να ισχύσει η εγγύηση, πρέπει να υποβάλετε απόδειξη αγοράς στον πωλητή ή το εξουσιοδοτημένο κέντρο επισκευών. Ενημερωθείτε για το πλησιέστερο εξουσιοδοτημένο κέντρο επισκευών της περιοχής σας, επικοινωνώντας με τα γραφεία της Black & Decker στη διεύθυνση που αναγράφεται στο εγχειρίδιο. Επίσης, μια λίστα με τα εξουσιοδοτημένα κέντρα επισκευών της Black & Decker και πλήρεις λεπτομέρειες για τις υπηρεσίες που παρέχονται μετά την πώληση καθώς και στοιχεία επικοινωνίας υπάρχουν στο Διαδίκτυο, στη διεύθυνση: [www.2helpU.com](http://www.2helpU.com)

Παρακαλούμε επισκεφθείτε την ιστοσελίδα μας [www.blackanddecker.gr](http://www.blackanddecker.gr) για να καταχωρήσετε το νέο σας προϊόν BLACK+DECKER και για να ενημερώνεστε για τα νέα προϊόντα και τις ειδικές προσφορές. Περισσότερες πληροφορίες σχετικά με τη μάρκα BLACK+DECKER και τη σειρά των προϊόντων μας θα βρείτε στη διεύθυνση [www.blackanddecker.gr](http://www.blackanddecker.gr)

<b>België/Belgique/Luxembourg</b> www.blackanddecker.be enduser.be@sbdinc.com	Stanley Black & Decker Belgium BVBA Egide Walschaertsstraat 16 2800 Mechelen	Tel. NL +32 15 47 37 65 Tel. FR +32 15 47 37 66 Fax. +32 15 47 37 99
<b>Danmark</b>	Black & Decker Roskildevej 22 2620 Albertslund	kundeservice.dk@sbdinc.com www.blackanddecker.dk
<b>Deutschland</b> www.blackanddecker.de infobfge@sdbinc.com	Stanley Black & Decker Deutschland GmbH Black & Decker Str. 40, D - 65510 Idstein	Tel. 06126 21-0 Fax 06126 21-2980
<b>Ελλάδα</b> www.blackanddecker.gr greece.service@sbdinc.com	Stanley Black & Decker (ΕΛΛΑΣ) Ε.Π.Ε ΓΡΑΦΕΙΑ: Σπύριδωνος 7 & Βουλιαγμένης 166 74 Γλυφάδα - Αθήνα	Τηλ. 210-8981616 Φαξ 210-8983570
<b>SERVICE:</b>	Ημερος Τόπος 2 -Χάνι Αδάμ 193 00 Ασπρόπυργος - Αθήνα	Τηλ. Service 210-8985208 Φαξ 210-5597598
<b>España</b> www.blackanddecker.es respuesta.posventa@sbdinc.com	Stanley Black & Decker Ibérica, S.C.A. Parc de Negocis "Mas Blau" Edificio Muntadas, c/Bergadà, 1, Of. A6 08820 El Prat de Llobregat (Barcelona)	Tel. 934 797 400 Fax 934 797 419
<b>France</b> www.blackanddecker.fr	Black & Decker (France) S.A.S. 5 allée des Hêtres B.P. 30084 69579 Limonest Cédex	Tel. 04 72 20 39 20 Fax 04 72 20 39 00
<b>Helvetia</b> www.blackanddecker.ch service@rofoag.ch	ROFO AG Gewerbezone Seeblick 3213 Kleinbösingen	Tel. 026-6749393 Fax 026-6749394
<b>Italia</b> www.blackanddecker.it service.italia@sbdinc.com	Stanley Black & Decker Italia Via Energypark 6 20871 Vimercate (MB)	Tel. 039-9590200 Fax 039-9590313 Numero verde 800-213935
<b>Nederland</b> www.blackanddecker.nl enduser.nl@sbdinc.com	Stanley Black & Decker Netherlands BV Holtum Noordweg 35, 6121 RE BORN Postbus 83, 6120 AB BORN	Tel. +31 164 283 065 Fax +31 164 283 200
<b>Norge</b>	Black & Decker Postboks 4613, Nydalen 0405 Oslo	kundeservice.no@sbdinc.com www.blackanddecker.no
<b>Österreich</b> www.blackanddecker.at service.austria@sbdinc.com	Stanley Black & Decker Austria GmbH Oberlaaerstraße 248, A-1230 Wien	Tel. 01 66116-0 Fax 01 66116-614
<b>Portugal</b> www.blackanddecker.pt resposta.posvenda@sbdinc.com	Black & Decker Limited SARL Quinta da Fonte - Edifício Q55 D. Diniz Rua dos Malhães, 2 e 2A - Piso 2 Esquerdo 2770 - 071 Paço de Arcos	Tel. 214667500 Fax 214667580
<b>Suomi</b>	Black & Decker PL47 00521, Helsinki	asiakaspalvelu.fi@sbdinc.com www.blackanddecker.fi
<b>Sverige</b>	Black & Decker AB Box 94, 431 22 Mölndal	kundservice.se@sbdinc.com www.blackanddecker.se
<b>Türkiye</b> www.blackanddecker.com.tr	KALE Hirdavat ve Makina A.Ş. Deftardar Mah. Savaklar Cad. No:15 Edimekapı / Eyüp / İstanbul 34050	Tel. 0212 533 52 55 Fax. 0212 533 10 05
<b>United Kingdom &amp; Republic Of Ireland</b> www.blackanddecker.co.uk emeaservice@sbdinc.com	Black & Decker 210 Bath Road Slough, Berkshire SL1 3YD	Tel. 01753 511234 Fax 01753 512365
<b>Middle East &amp; Africa</b> www.blackanddecker.ae service.mea@sbdinc.com	Black & Decker P.O.Box - 17164 Jebel Ali Free Zone (South), Dubai, UAE	Tel. +971 4 8863030 Fax +971 4 8863333