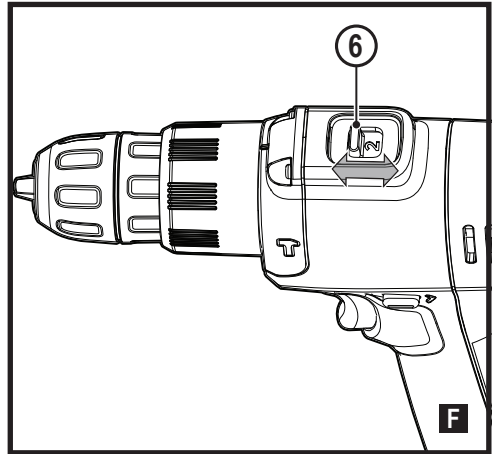
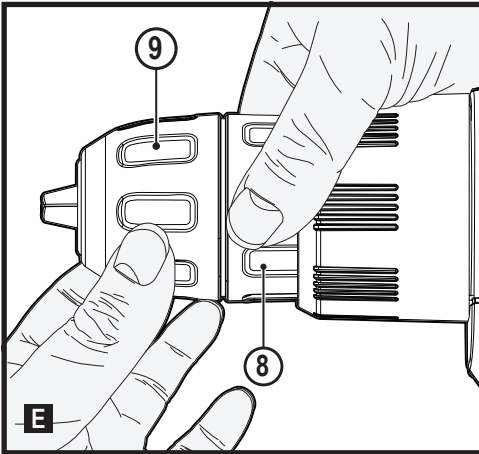
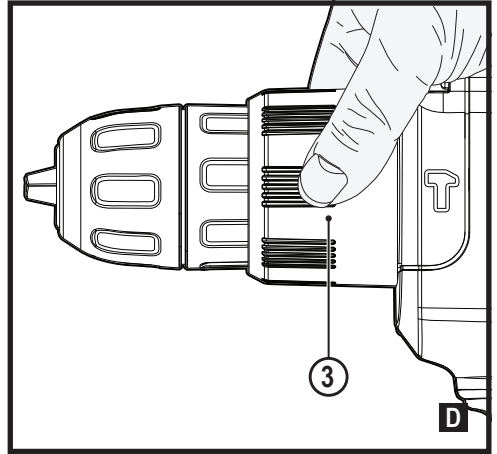
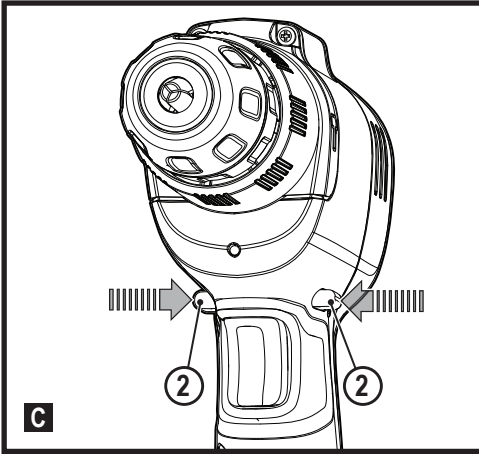
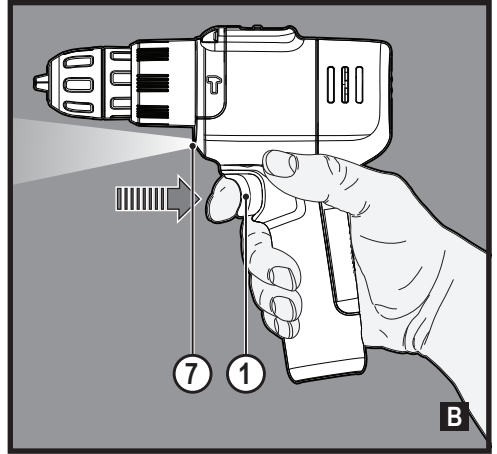
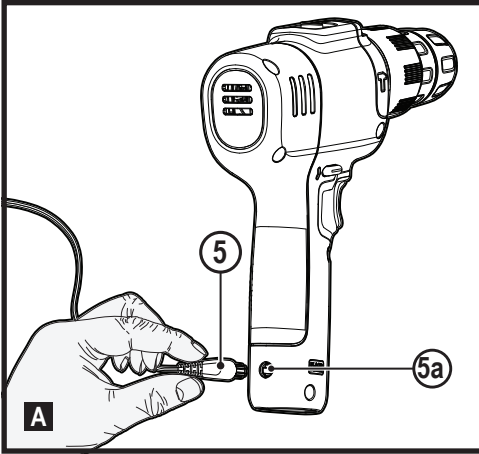


English (<i>original instructions</i>)	4
Deutsch (übersetzt von den originalanweisungen)	10
Français (traduction de la notice d'instructions originale)	18
Italiano (tradotto dalle istruzioni originali)	26
Nederlands (vertaald vanuit de originele instructies)	33
Español (traducido de las instrucciones originales)	41
Português (traduzido das instruções originais)	48
Svenska (översatt från de ursprungliga instruktionerna)	56
Norsk (oversatt fra de originale instruksjonene)	62
Dansk (oversat fra original brugsvejledning)	69
Suomi (käännetty alkuperäisestä käyttöohjeesta)	75
Ελληνικά (μετάφραση από τις πρωτότυπες οδηγίες)	82



Intended use

Your BLACK+DECKER™ REVHD12C-Impact Drill, has been designed for screwdriving applications and for drilling in wood metal and masonry. This tool is intended for consumer use only.

Safety instructions

General power tool safety warnings



Warning! Read all safety warnings, instructions, illustrations and specifications provided with this power tool. Failure to follow the warnings and instructions listed below may result in electric shock, fire and/or serious injury.

Save all warnings and instructions for future reference.

The term "power tool" in all of the warnings listed below refers to your mains operated (corded) power tool or battery operated (cordless) power tool.

1. **Work area safety**
 - a. **Keep work area clean and well lit.** Cluttered or dark areas invite accidents.
 - b. **Do not operate power tools in explosive atmospheres, such as in the presence of flammable liquids, gases or dust.** Power tools create sparks which may ignite the dust or fumes.
 - c. **Keep children and bystanders away while operating a power tool.** Distractions can cause you to lose control.
2. **Electrical safety**
 - a. **Power tool plugs must match the outlet. Never modify the plug in any way. Do not use any adapter plugs with earthed (grounded) power tools.** Unmodified plugs and matching outlets will reduce risk of electric shock.
 - b. **Avoid body contact with earthed or grounded surfaces such as pipes, radiators, ranges and refrigerators.** There is an increased risk of electric shock if your body is earthed or grounded.
 - c. **Do not expose power tools to rain or wet conditions.** Water entering a power tool will increase the risk of electric shock.
 - d. **Do not abuse the cord. Never use the cord for carrying, pulling or unplugging the power tool. Keep cord away from heat, oil, sharp edges or moving parts.** Damaged or entangled cords increase the risk of electric shock.
 - e. **When operating a power tool outdoors, use an extension cord suitable for outdoor use.** Use of a cord suitable for outdoor use reduces the risk of electric shock.
 - f. **If operating a power tool in a damp location is unavoidable, use a residual current device (RCD) protected supply.** Use of an RCD reduces the risk of electric shock.
3. **Personal safety**
 - a. **Stay alert, watch what you are doing and use common sense when operating a power tool.**
Do not use a power tool while you are tired or under the influence of drugs, alcohol or medication. A moment of inattention while operating power tools may result in serious personal injury.
 - b. **Use personal protective equipment. Always wear eye protection.** Protective equipment such as dust mask, non-skid safety shoes, hard hat, or hearing protection used for appropriate conditions will reduce personal injuries.
 - c. **Prevent unintentional starting. Ensure the switch is in the off-position before connecting to power source and/or battery pack, picking up or carrying the tool.** Carrying power tools with your finger on the switch or energising power tools that have the switch on invites accidents.
 - d. **Remove any adjusting key or wrench before turning the power tool on.** A wrench or a key left attached to a rotating part of the power tool may result in personal injury.
 - e. **Do not overreach. Keep proper footing and balance at all times.** This enables better control of the power tool in unexpected situations.
 - f. **Dress properly. Do not wear loose clothing or jewellery. Keep your hair, clothing and gloves away from moving parts.** Loose clothes, jewellery or long hair can be caught in moving parts.
 - g. **If devices are provided for the connection of dust extraction and collection facilities, ensure these are connected and properly used.** Use of dust collection can reduce dust-related hazards.
 - h. **Do not let familiarity gained from frequent use of tools allow you to become complacent and ignore tool safety principles.** A careless action can cause severe injury within a fraction of a second.
4. **Power tool use and care**
 - a. **Do not force the power tool. Use the correct power tool for your application.**
The correct power tool will do the job better and safer at the rate for which it was designed.
 - b. **Do not use the power tool if the switch does not turn it on and off.** Any power tool that cannot be controlled with the switch is dangerous and must be repaired.
 - c. **Disconnect the plug from the power source and/or the battery pack from the power tool before making any adjustments, changing accessories, or storing power tools.** Such preventive safety measures reduce the risk of starting the power tool accidentally.
 - d. **Store idle power tools out of the reach of children and do not allow persons unfamiliar with the power tool or these instructions to operate the power tool.**

Power tools are dangerous in the hands of untrained users.

- e. **Maintain power tools and accessories. Check for misalignment or binding of moving parts, breakage of parts and any other condition that may affect the power tools operation. If damaged, have the power tool repaired before use.** Many accidents are caused by poorly maintained power tools.
- f. **Keep cutting tools sharp and clean.** Properly maintained cutting tools with sharp cutting edges are less likely to bind and are easier to control.
- g. **Use the power tool, accessories and tool bits etc. in accordance with these instructions, taking into account the working conditions and the work to be performed.**
Use of the power tool for operations different from those intended could result in a hazardous situation.
- h. **Keep handles and grasping surfaces dry, clean and free from oil and grease.** Slippery handles and grasping surfaces do not allow for safe handling and control of the tool in unexpected situations.

5. Battery tool use and care

- a. **Recharge only with the charger specified by the manufacturer.** A charger that is suitable for one type of battery pack may create a risk of fire when used with another battery pack.
- b. **Use power tools only with specifically designated battery packs.** Use of any other battery packs may create a risk of injury and fire.
- c. **When battery pack is not in use, keep it away from other metal objects, like paper clips, coins, keys, nails, screws or other small metal objects, that can make a connection from one terminal to another.** Shorting the battery terminals together may cause burns or a fire.
- d. **Under abusive conditions, liquid may be ejected from the battery; avoid contact. If contact accidentally occurs, flush with water. If liquid contacts eyes, additionally seek medical help.** Liquid ejected from the battery may cause irritation or burns.
- e. **Do not use a battery pack or tool that is damaged or modified.** Damaged or modified batteries may exhibit unpredictable behaviour resulting in fire, explosion or risk of injury.
- f. **Do not expose a battery pack or tool to fire or excessive temperature.** Exposure to fire or temperature above 130 °C may cause explosion.

Note: The temperature „130 °C“ can be replaced by the temperature „265 °F“.

- g. **Follow all charging instructions and do not charge the battery pack or tool outside the temperature range specified in the instructions.**

Charging improperly or at temperatures outside the specified range may damage the battery and increase the risk of fire.

6. Service

- a. **Have your power tool serviced by a qualified repair person using only identical replacement parts.** This will ensure that the safety of the power tool is maintained.
- b. **Never service damaged battery packs.** Service of battery packs should only be performed by the manufacturer or authorized service providers.

Safety Instructions for All Operations

- **Wear ear protectors when impact drilling.** Exposure to noise can cause hearing loss.
- **Hold the power tool by insulated gripping surfaces, when performing an operation where the cutting accessory may contact hidden wiring.** Cutting accessory contacting a "live" wire may make exposed metal parts of the power tool "live" and could give the operator an electric shock.

Additional power tool safety warnings



Warning! Additional Safety Warnings for Drill/Driver/ Hammerdrill.

- Use clamps or other practical way to secure and support the workpiece to a stable platform. Holding the work by hand or against your body is unstable and may lead to loss of control.
- Accessories and tool may get hot during operation. Wear gloves when handling them if performing heat producing applications such as drilling metals.
- Air vents often cover moving parts and should be avoided. Loose clothes, jewelry or long hair can be caught in moving parts.
- Wear safety goggles or other eye protection. Hammering and drilling operations cause chips to fly. Flying particles can cause permanent eye damage.
- Wear ear protectors when impact drilling. Exposure to noise can cause hearing loss.
- Use auxiliary handle(s), if supplied with the tool. Loss of control can cause personal injury.
- Do not operate this tool for long periods of time. Vibration caused by tool action may be harmful to your hands and arms. Use gloves to provide extra cushion and limit exposure by taking frequent rest periods.

Safety instructions when using long drill bits

- ◆ **Never operate at higher speed than the maximum speed rating of the drill bit.** At higher speeds, the bit is likely to bend if allowed to rotate freely without contacting the workpiece, resulting in personal injury.

- ◆ **Always start drilling at low speed and with the bit tip in contact with the workpiece.** At higher speeds, the bit is likely to bend if allowed to rotate freely without contacting the workpiece, resulting in personal injury.
- ◆ **Apply pressure only in direct line with the bit and do not apply excessive pressure.** Bits can bend causing breakage or loss of control, resulting in personal injury.

Safety of others

- ◆ This tool is not intended for use by persons (including children) with reduced physical, sensory or mental capabilities, or lack of experience and knowledge, unless they have been given supervision or instruction concerning use of the appliance by a person responsible for their safety.
- ◆ Children should be supervised to ensure that they do not play with the appliance.

Residual risks

Additional residual risks may arise when using the tool which may not be included in the enclosed safety warnings. These risks can arise from misuse, prolonged use etc.

Even with the application of the relevant safety regulations and the implementation of safety devices, certain residual risks can not be avoided. These include:

- ◆ Injuries caused by touching any rotating/moving parts.
- ◆ Injuries caused when changing any parts, blades or accessories.
- ◆ Injuries caused by prolonged use of a tool. When using any tool for prolonged periods ensure you take regular breaks.
- ◆ Impairment of hearing.
- ◆ Health hazards caused by breathing dust developed when using your tool (example:- working with wood, especially oak, beech and MDF.)

Vibration

The declared vibration emission values stated in the technical data and the declaration of conformity have been measured in accordance with a standard test method provided by EN62841 and may be used for comparing one tool with another.

The declared vibration emission value may also be used in a preliminary assessment of exposure.

Warning! The vibration emission value during actual use of the power tool can differ from the declared value depending on the ways in which the tool is used. The vibration level may increase above the level stated.

When assessing vibration exposure to determine safety measures required by 2002/44/EC to protect persons regularly using power tools in employment, an estimation of vibration exposure should consider, the actual conditions of use and the way the tool is used, including taking account of all parts of the operating cycle such as the times when the tool is switched off and when it is running idle in addition to the trigger time.

Labels on tool

The following pictograms along with the date code are shown on the tool:



Warning! To reduce the risk of injury, the user must read the instruction manual.



Do not stare at operating lamp

Important safety instructions for all integral battery tools

Warning! Read all safety warnings, instructions, and cautionary markings for the battery, charger and product. Failure to follow the warnings and instructions may result in electric shock, fire and/or serious injury.

- ◆ Never force a charger plug into the tool.
- ◆ DO NOT modify the charger plug of a non-compatible charger in any way to fit into the tool as the battery may rupture causing serious personal injury.
- ◆ DO NOT charge or use the battery in explosive atmospheres, such as in the presence of flammable liquids, gases or dust.
Inserting or removing the charger plug from the tool may ignite the dust or fumes.
- ◆ Only charge the battery with the provided charge lead and a suitable class 2 power supply.
- ◆ DO NOT splash or immerse in water.
- ◆ DO NOT allow water or any liquid to enter tool.
- ◆ DO NOT store or use the tool in locations where the temperature may reach or exceed 104 °F (40 °C) (such as outside sheds or metal buildings in summer). For best life store tools in a cool, dry location.
- ◆ Do not store the tool with the switch locked on. Never tape the switch in the ON position.
- ◆ DO NOT incinerate the tool even if it is severely damaged or is completely worn out. The battery can explode in a fire. Toxic fumes and materials are created when lithium-ion batteries are burned.
- ◆ If battery contents come into contact with the skin, immediately wash area with mild soap and water. If battery liquid gets into the eye, rinse water over the open eye for 15 minutes or until irritation ceases. If medical attention is needed, the battery electrolyte is composed of a mixture of liquid organic carbonates and lithium salts.

- ◆ Contents of opened battery cells may cause respiratory irritation. Provide fresh air. If symptoms persist, seek medical attention.
- ◆ Battery liquid may be flammable if exposed to spark or flame.
- ◆ Never attempt to open the tool for any reason. If the tool case is cracked or damaged, do not charge. Do not crush, drop or damage the tool.
Do not use a tool or charger that has received a sharp blow, been dropped, run over or damaged in any way (e.g., pierced with a nail, hit with a hammer, stepped on). Damaged tools should be returned to the service center for recycling.

Storage recommendations

The best storage place is one that is cool and dry, away from direct sunlight and excess heat or cold.

Store the fully charged tool disconnected from the charger.

Transportation

Note: Integral Li-ion tools should not be put in checked baggage on airplanes and must be properly protected from short circuits if they are in carry-on baggage.

Important safety instructions for all integral battery charging

Warning! Read all safety warnings, instructions, and cautionary markings for the battery, charging cable and product. Failure to follow the warnings and instructions may result in electric shock, fire and/or serious injury.

- ◆ The provided charging cable is not intended for any uses other than charging BLACK+DECKER rechargeable tools with micro charging ports. Charging other types of tools may cause their batteries to overheat and burst, resulting in personal injury, property damage, fire, electric shock or electrocution.
- ◆ DO NOT expose charging cable to water, rain or snow.
- ◆ Pull by the plugs rather than the cord when disconnecting the charging cable. This will reduce the risk of damage to the plugs and cord.
- ◆ Make sure that the cord is located so that it will not be stepped on, tripped over or otherwise subjected to damage or stress.
- ◆ When charging the tool outdoors, always provide a dry location.
- ◆ DO NOT use a charging cable with a damaged cord or plugs. Have them replaced immediately.
- ◆ Foreign materials of a conductive nature, such as, but not limited to, grinding dust, metal chips, steel wool, aluminum foil or any buildup of metallic particles should be kept away from the charging and micro charging plugs and port.
- ◆ Always unplug the charging cable from the power supply when there is no tool attached to it.

Electrical safety



Your charger is double insulated; therefore no earth wire is required. Always check that the mains voltage corresponds to the voltage on the rating plate. Never attempt to replace the charger unit with a regular mains plug.

- ◆ If the supply cord is damaged, it must be replaced by the manufacturer or an authorised BLACK+DECKER Service Centre in order to avoid a hazard.

Warning! Never attempt to replace the charger unit with a regular mains plug.

Features

This tool includes some or all of the following features:

1. Variable speed switch
2. Forward/reverse slider
3. Torque adjustment collar
4. Keyless chuck
5. Charger
- 5a. Charging port
- 5b. Charging indicator (not visible till plugged in)
6. Dual Range Gearing
7. LED work Light*

Charging the battery (fig. A)

The integral battery needs to be charged before first use and whenever it fails to produce sufficient power on jobs that were easily done before. The battery may become warm while charging; this is normal and does not indicate a problem.

Warning! Do not charge the battery at ambient temperatures below 10 °C or above 40 °C. Recommended charging temperature: approx. 24 °C.

Note: The charger will not charge a battery if the cell temperature is below approximately 10 °C or above 40 °C. The integral battery should be left connected to the charger and the charger will begin to charge automatically when the cell temperature warms up or cools down.

- ◆ Insert the charging connector (5) into the charging port (5a).
- ◆ Plug in the charging connector (5).
- ◆ Leave the tool connected to the charger for around 4 hours.
- ◆ The charging indicator (5b) will illuminate during charging.

Operating Instructions

Trigger switch & reversing button (fig. B, C)


- ◆ The drill is turned ON and OFF by pulling and releasing the trigger switch (1).
The farther the trigger is depressed, the higher the speed of the drill operates at.

- ◆ A forward/reverse control button (2) determines the direction of the tool and also serves as a lock off button.
- ◆ To select forward rotation, release the trigger switch and depress the forward/reverse control button to the left.
- ◆ To select reverse, depress the forward/ reverse control button the opposite direction.
- ◆ To lock the tool, set the forward/reverse slider into the centre position.

Note: The center position of the control button locks the tool in the off position. When changing the position of the control button, be sure the trigger is released.

Torque control (fig. D)

This tool is fitted with a torque adjustment collar (3) to select the operating mode and to set the torque for tightening screws. Large screws and hard workpiece materials require a higher torque setting than small screws and soft workpiece materials.

- ◆ For drilling, set the collar to the drilling position symbol .
- ◆ For screwdriving, set the collar to the desired setting. If you do not yet know the appropriate setting, proceed as follows:
- ◆ Set the collar to the lowest torque setting.
- ◆ Tighten the first screw.
- ◆ If the clutch ratchets before the desired result is achieved, increase the collar setting and continue tightening the screw. Repeat until you reach the correct setting. Use this setting for the remaining screws.

Keyless chuck (fig. E)

Warning! Make certain the lock-off button is engaged to prevent switch actuation before installing or removing accessories.

To insert a drill bit or other accessory:

- ◆ Grasp the rear half of the chuck (8) with one hand and use your other hand to rotate the front half (9) in the counterclockwise direction, as viewed from the chuck end.
- ◆ Insert the bit or other accessory fully into the chuck, and tighten securely by holding the rear half of the chuck and rotating the front portion in the clockwise direction as viewed from the chuck end.

Warning! Do not attempt to tighten drill bits (or any other accessory) by gripping the front part of the chuck and turning the tool on. Damage to the chuck and personal injury may occur when changing accessories.

Dual range gearing (Fig. F)

The dual range feature of your drill allows you to shift gears for greater versatility. To select low speed, high torque setting (position 1), turn tool off and permit to stop. Slide gear shifter button (6) away from the chuck.

To select the high speed, low torque setting (position 2), turn tool off and permit to stop.

Slide gear shifter button towards the chuck.

Note: Do not change gears when tool is running. If you are having trouble changing gears, make sure that the dual range gear button is either completely pushed forward or completely pushed back

Drilling/screwdriving (fig. C)

- ◆ Select forward or reverse rotation using the forward/reverse slider (2).
- ◆ To switch the tool on, press the switch (1).
The tool speed depends on how far you press the switch.
- ◆ To switch the tool off, release the switch.

Hints for optimum use

Drilling

- ◆ Use sharp drill bits only.
- ◆ Support and secure work properly, as instructed in the Safety instructions.
- ◆ Use appropriate and required safety equipment, as instructed in the Safety instructions.
- ◆ Secure and maintain work area, as instructed in the Safety instructions.
- ◆ Run the drill very slowly, using light pressure, until the hole is started enough to keep the drill bit from slipping out of it.
- ◆ Apply pressure in a straight line with the bit. Use enough pressure to keep the bit biting but not so much as to stall the motor or deflect the bit.
- ◆ Hold the drill firmly with two hands to control its twisting action.
- ◆ DO NOT CLICK THE TRIGGER OF A STALLED DRILL OFF AND ON IN AN ATTEMPT TO START IT. DAMAGE TO THE DRILL CAN RESULT
- ◆ Minimize stalling on breakthrough by reducing pressure and slowly drilling through the last part of the hole.
- ◆ Keep the motor running while pulling the bit out of a drilled hole. This will help reduce jamming.
- ◆ Make sure switch turns drill on and off.

Drilling in wood

Holes in wood can be made with the same twist drill bits used for metal or with spade bits. These bits should be sharp and should be pulled out frequently when drilling to clear chips from the flutes.

Drilling in metal

Use a cutting lubricant when drilling metals. The exceptions are cast iron and brass which should be drilled dry. The cutting lubricant that work best are sulfurized cutting oil or lard oil

Drilling in masonry

For drilling in masonry, set the collar (3) to the hammer drilling position by aligning the symbol with the marking.

Slide the speed selector (6) towards the front of the tool (2nd gear).

Screwdriving

- ◆ Always use the correct type and size of screwdriver bit.
- ◆ If screws are difficult to tighten, try applying a small amount of washing liquid or soap as a lubricant.
- ◆ Always hold the tool and screwdriver bit in a straight line with the screw.

Troubleshooting

Problem	Possible cause	Possible solution
Unit will not start.	Battery not charged.	Check battery charging requirements
Battery will not charge.	Charger not plugged in. Surrounding air temperature too hot or too cold.	Plug charger into a working outlet. Move charger to a surrounding air temperature of above 40 degrees F (45°C) or below 105 degrees F (+40.5°C)
Unit shuts off abruptly.	Battery has reached its maximum thermal limit. Out of charge. (To maximize the life of the battery it is designed to shut off abruptly when the charge is depleted)	Allow battery to cool down. Place on charger and allow to charge.

Maintenance

Your BLACK+DECKER tool has been designed to operate over a long period of time with a minimum of maintenance. Continuous satisfactory operation depends upon proper tool care and regular cleaning.

Your charger does not require any maintenance apart from regular cleaning.

Warning! Before performing any cleaning or maintenance on the tool, unplug the charger.

- ◆ Regularly clean the ventilation slots in your tool using a soft brush or dry cloth.
- ◆ Regularly clean the motor housing using a damp cloth. Do not use any abrasive or solvent-based cleaner.

Protecting the environment



Separate collection. Products and batteries marked with this symbol must not be disposed of with normal household waste.

Products and batteries contain materials that can be recovered or recycled reducing the demand for raw materials. Please recycle electrical products and batteries according to local provisions.

Further information is available at www.2helpU.com

Technical data

REVHD12C H1		
Voltage	V_{DC}	12
No-load speed	min^{-1}	0-350 / 0-1350 /min (RPM)
Max. torque	Nm	17.5/40
Chuck capacity	mm	1-10
Max Drilling capacity		
Steel/Wood/Masonry	mm	10 / 25 / 10
Weight	kg	1.0

Integral Battery		
Battery type		Li-Ion
Ah rating		1.5

Charger		
S010*1400040		
Input Voltage	V_{AC}	230
Output voltage	V_{DC}	10.8
Current	mA	400mA
Approx. charge time	h	4

Level of sound pressure according to EN 62841:
Sound pressure (L_{pA}) 84, uncertainty (K) 5 dB(A)
Sound power (L_{WA}) 95 dB(A), uncertainty (K) 5 dB(A)

Vibration total values (triax vector sum) according to EN 62841:
Drilling metal (a_{Hv}) 0.9 m/s^2 , uncertainty (K) 1.5 m/s^2
Hammer drilling into concrete (a_{Hv}) 17.1 m/s^2 , uncertainty (K) 1.5 m/s^2

Declaration of conformity The Supply of Machinery (Safety) Regulations 2008



REVHD12C Impact Drill

Black & Decker declares that these products described under "technical data" are in compliance with:

The Supply of Machinery (Safety) Regulations, 2008, S.I. 2008/1597 (as amended),
EN62841-1:2015, EN62841-2-1:2018+A11:2019.

These products also conform to the following UK Regulations:
Electromagnetic Compatibility Regulations, 2016,
S.I.2016/1091 (as amended).

The Restriction of the Use of Certain Hazardous Substances in Electrical and Electronic Equipment Regulations 2012, S.I. 2012/3032 (as amended).

For more information, please contact Black & Decker at the following address or refer to the back of the manual.

The undersigned is responsible for compilation of the technical file and makes this declaration on behalf of Black & Decker.



Ed Higgins
Director - Consumer Power Tools
Black and Decker UK, 270 Bath Road, Slough
Berkshire, SL1 4DX
United Kingdom
30/03/2022

EC declaration of conformity

MACHINERY DIRECTIVE



REVVD12C Impact Drill

Black & Decker declares that these products described under "technical data" are in compliance with: EN62841-1:2015, EN62841-2-1:2018+A11:2019.

These products also comply with Directive 2006/42/EC, 2014/30/EU and 2011/65/EU. For more information, please contact Black & Decker at the following address or refer to the back of the manual.

The undersigned is responsible for compilation of the technical file and makes this declaration on behalf of

Black & Decker .



Patrick Diepenbach
General Manager, Benelux
Black and Decker,
Egide Walschaertsstraat 14-18
2800 Mechelen, Belgium
30/03/2022

Guarantee

Black & Decker is confident of the quality of its products and offers consumers a 24 month guarantee from the date of purchase.

This guarantee is in addition to and in no way prejudices your statutory rights. The guarantee is valid within the territories of the Member States of the European Union, European Free Trade area and the United Kingdom.

To claim on the guarantee, the claim must be in accordance with Black & Decker Terms and Conditions and you will need to submit proof of purchase to the seller or an authorised repair agent.

Terms and conditions of the Black & Decker 2 year guarantee and the location of your nearest authorised repair agent can be obtained on the Internet at www.2helpU.com, or by contacting your local Black & Decker office at the address indicated in this manual.

Please visit our website www.blackanddecker.co.uk to register your new Black & Decker product and receive updates on new products and special offers.

(Übersetzung der ursprünglichen Anweisungen)

DEUTSCH

Verwendungszweck

Ihr BLACK+DECKER™-Schlagschrauber REVVD12C ist für Schraub- und Bohrarbeiten in Holz, Metall und Mauerwerk ausgelegt. Dieses Gerät ist nicht für den gewerblichen Einsatz vorgesehen.

Sicherheitshinweise

Allgemeine Sicherheitswarnungen für das Gerät



Warnung! Beachten Sie alle

Sicherheitshinweise,

Anweisungen, Darstellungen und Daten,

die Sie mit dem Gerät erhalten. Die Nichteinhaltung der folgenden Warnungen und Anweisungen kann einen elektrischen Schlag, Brand und/oder schwere Verletzungen verursachen.

Bewahren Sie alle Warnhinweise und alle Anweisungen

gut auf. Der nachfolgend verwendete Begriff „Gerät“ bezieht sich auf netzbetriebene Geräte (mit Netzkabel) und auf akkubetriebene Geräte (ohne Netzkabel).

1. Sicherheit im Arbeitsbereich

- a. **Halten Sie Ihren Arbeitsbereich sauber und gut ausgeleuchtet.** Unaufgeräumte oder dunkle Bereiche begünstigen Unfälle.
- b. **Betreiben Sie das Gerät nicht in Umgebungen, in denen Explosionsgefahr z. B. aufgrund von brennbaren Flüssigkeiten, Gasen oder Staub besteht.** Geräte erzeugen Funken, die den Staub oder die Dämpfe entzünden können.
- c. **Halten Sie Kinder und andere Personen während der Benutzung eines Geräts fern.** Bei Ablenkung können Sie die Kontrolle verlieren.

2. Elektrische Sicherheit

- a. **Der Netzstecker des Geräts muss in die Steckdose passen. Ändern Sie niemals den Stecker in irgendeiner Form. Verwenden Sie keinerlei Adapterstecker an geerdeten Elektrogeräten.**
Unveränderte Stecker und passende Steckdosen mindern die Gefahr eines elektrischen Schlages.
- b. **Vermeiden Sie Körperkontakt mit geerdeten Oberflächen von Rohren, Heizungen, Herden und Kühlschränken.** Es besteht eine erhöhte Gefahr für einen elektrischen Schlag, wenn Ihr Körper geerdet ist.
- c. **Halten Sie Geräte von Regen und Nässe fern.** Das Eindringen von Wasser in ein Gerät erhöht das Risiko eines elektrischen Schlags.
- d. **Verwenden Sie das Kabel ordnungsgemäß. Verwenden Sie es niemals zum Tragen. Trennen Sie das Gerät nicht durch Ziehen am Kabel vom Netz. Halten Sie das Kabel fern von Hitze, Öl, scharfen Kanten oder beweglichen Teilen.** Beschädigte oder verhedderte Kabel erhöhen die Gefahr eines elektrischen Schlages.
- e. **Verwenden Sie nur für den Außenbereich zugelassene Verlängerungskabel, wenn Sie mit dem Gerät im Freien arbeiten.** Die Verwendung eines für den Außenbereich geeigneten Verlängerungskabels verringert das Risiko eines elektrischen Schlags.
- f. **Wenn das Gerät in einer feuchten Umgebung verwendet werden muss, schließen Sie es unbedingt an eine Steckdose mit Fehlerstromschutzschalter (FI-Schalter) an.** Ein Fehlerstromschutzschalter verringert das Risiko eines elektrischen Schlags.

3. Sicherheit von Personen

- a. **Seien Sie aufmerksam, achten Sie darauf, was Sie tun, und gehen Sie sachgerecht mit einem Gerät um. Benutzen Sie kein Gerät, wenn Sie müde sind oder unter dem Einfluss von Drogen, Alkohol oder Medikamenten stehen.** Ein Moment der Unachtsamkeit beim Betrieb eines Geräts kann zu schweren Verletzungen führen.
- b. **Verwenden Sie eine geeignete Schutzausrüstung. Tragen Sie immer einen Augenschutz.** Das Tragen persönlicher Schutzausrüstung, wie Staubmaske, rutschfeste Sicherheitsschuhe, Schutzhelm oder Gehörschutz, je nach Art und Einsatz des Geräts, verringert das Risiko von Verletzungen.
- c. **Vermeiden Sie eine unbeabsichtigte Inbetriebnahme. Vergewissern Sie sich, dass das Gerät ausgeschaltet ist, bevor Sie es an eine Steckdose oder einen Akku anschließen, es hochheben oder tragen.** Wenn Sie beim Tragen des Geräts den Finger am Schalter haben oder das Gerät eingeschaltet an die Stromversorgung anschließen, kann dies zu Unfällen führen.

- d. **Entfernen Sie Einstell- oder Schraubenschlüssel, bevor Sie das Gerät einschalten.** Werkzeuge oder Schlüssel, die an rotierenden Teilen des Elektrogerätes angebracht sind, können zu Verletzungen führen.
- e. **Beugen Sie sich nicht zu weit nach vorne. Sorgen Sie für einen sicheren Stand und halten Sie jederzeit das Gleichgewicht.** Dadurch können Sie das Gerät in unerwarteten Situationen besser kontrollieren.
- f. **Tragen Sie geeignete Kleidung. Tragen Sie keine weite Kleidung und keinen Schmuck. Halten Sie Ihre Haare, Kleidung und Handschuhe von beweglichen Teilen fern.** Lose sitzende Kleidung, Schmuck oder lange Haare können sich in den beweglichen Teilen verfangen.
- g. **Falls Vorrichtungen zum Absaugen oder Auffangen von Staub vorhanden sind, vergewissern Sie sich, dass diese angeschlossen sind und richtig verwendet werden.** Das Verwenden einer Staubauffangvorrichtung verringert Gefährdungen durch Staub.
- h. **Vermeiden Sie, dass Sie durch häufige Verwendung von Werkzeugen unachtsam werden und die Prinzipien der Werkzeugsicherheit ignorieren.** Unachtsamkeit kann innerhalb von Sekundenbruchteilen zu schweren Verletzungen führen.

4. Gebrauch und Pflege von Geräten

- a. **Überlasten Sie das Gerät nicht. Verwenden Sie das für Ihre Arbeit passende Gerät.** Das richtige Gerät wird die Aufgabe besser und sicherer erledigen, wenn es bestimmungsgemäß verwendet wird.
- b. **Verwenden Sie das Gerät nicht, wenn der Ein-/Ausschalter nicht funktioniert.** Ein Gerät, das sich nicht mehr ein- oder ausschalten lässt, ist gefährlich und muss repariert werden.
- c. **Ziehen Sie den Stecker aus der Steckdose, oder trennen Sie das Gerät vom Akku, bevor Sie Einstellungen vornehmen, Zubehörteile wechseln oder das Gerät lagern.** Diese Vorbeugemaßnahmen mindern die Gefahr, dass das Elektrogerät unbeabsichtigt startet.
- d. **Bewahren Sie unbenutzte Geräte außerhalb der Reichweite von Kindern auf. Lassen Sie Geräte nicht von Personen benutzen, die damit nicht vertraut sind oder diese Anweisungen nicht gelesen haben.** Geräte sind in den Händen nicht geschulter Personen gefährlich.
- e. **Halten Sie das Gerät und sein Zubehör in einem einwandfreien Zustand. Kontrollieren Sie, ob bewegliche Teile falsch ausgerichtet sind oder klemmen und ob Teile gebrochen oder so beschädigt sind, dass die Funktion des Geräts beeinträchtigt ist. Bei Beschädigungen lassen Sie das Gerät reparieren, bevor Sie es verwenden.**

Viele Unfälle entstehen wegen mangelnder Wartung der Geräte.

- f. **Halten Sie Schneidgeräte scharf und sauber.** Richtig gewartete Schneidwerkzeuge mit scharfen Klingen blockieren seltener und sind leichter unter Kontrolle zu halten.
- g. **Benutzen Sie Elektrowerkzeuge, Zubehör, Werkzeugspitzen und Ähnliches in Übereinstimmung mit diesen Anweisungen und auf die für das jeweilige Elektrowerkzeug bestimmungsgemäße Weise und beachten Sie dabei die jeweiligen Arbeitsbedingungen und die Art der auszuführenden Arbeiten.** Der Gebrauch von Geräten für andere als die vorgesehenen Zwecke kann zu gefährlichen Situationen führen.
- h. **Halten Sie die Griffe trocken, sauber und frei von Öl und Fett.** Rutschige Griffe und Oberflächen unterbinden die sichere Bedienbarkeit und Kontrolle über das Werkzeug in unerwarteten Situationen.

5. Gebrauch und Pflege von Akkuwerkzeugen

- a. Laden Sie den Akku nur mit dem vom Hersteller vorgesehenen Ladegerät auf. Für ein Ladegerät, das nur für eine bestimmte Akkuart geeignet ist, besteht Brandgefahr, wenn es mit anderen Akkus verwendet wird.
- b. Verwenden Sie nur die für das jeweilige Gerät vorgesehenen Akkus. Die Verwendung anderer Akkus kann zu Verletzungen oder Bränden führen.
- c. Bewahren Sie den Akku bei Nichtbenutzung nicht in der Nähe metallischer Objekte wie Büroklammern, Münzen, Schlüsseln, Nägeln oder Schrauben auf, da diese eine Verbindung zwischen beiden Polen des Akkus herstellen können. Durch den dadurch entstehenden Kurzschluss kann der Akku in Brand geraten.
- d. Bei falscher Anwendung kann Flüssigkeit aus dem Akku austreten. Vermeiden Sie den Kontakt damit. Bei unbeabsichtigtem Kontakt mit Wasser abspülen. Gelangt die Flüssigkeit in die Augen, ziehen Sie außerdem ärztliche Hilfe hinzu. Austretende Akkuflüssigkeit kann zu Hautreizungen oder Verbrennungen führen.
- e. Verwenden Sie keine Akkus oder Werkzeuge, die beschädigt sind oder modifiziert wurden. Beschädigte oder modifizierte Akkus können sich unvorhersehbar verhalten und stellen ein Risiko von Feuer, Explosionen oder Verletzungen dar.
- f. Setzen Sie Akkus und Werkzeuge keinem Feuer oder extremen Temperaturen aus. Die Einwirkung von Feuer oder Temperaturen über 130°C kann zu Explosionen führen.

Hinweis: Die Temperaturangabe „130 °C“ kann durch die Temperaturangabe „265 °F“ ersetzt werden.

- g. Befolgen Sie alle Anweisungen zum Aufladen und laden Sie den Akku oder das Werkzeug nicht jenseits des in der Anleitung angegebenen Temperaturbereichs auf.

Das falsche Aufladen oder das Aufladen bei Temperaturen jenseits des angegebenen Bereichs kann den Akku beschädigen und das Brandrisiko erhöhen.

6. Service
- a. Lassen Sie das Gerät nur von qualifiziertem Fachpersonal und nur mit Originalersatzteilen reparieren. Damit wird sichergestellt, dass die Sicherheit des Geräts erhalten bleibt.
- b. Führen Sie an beschädigten Akkus niemals Wartungsarbeiten durch. Die Wartung von Akkus darf nur vom Hersteller selbst oder autorisierten Dienstleistern durchgeführt werden.

Sicherheitsvorschriften für alle Betriebsarten

- **Tragen Sie bei der Arbeit mit einem Schlagbohrer einen Gehörschutz.** Lärm kann Gehörschäden verursachen.
- **Halten Sie das Elektrowerkzeug an den isolierten Griffflächen, wenn Arbeiten durchgeführt werden, bei denen das Schneidgerät versteckte Leitungen berühren könnte.** Der Kontakt mit stromführenden Leitungen kann auch offen liegende Metallteile am Gerät unter Strom setzen und zu einem Stromschlag führen.

Zusätzliche Sicherheitswarnungen für das Gerät



Warnung! Zusätzliche Sicherheitshinweise für Bohrer/ Schrauber/ Bohrhammer.

- Sichern Sie das Werkstück zum Beispiel mit Spannvorrichtungen auf einer stabilen Plattform. Das Werkstück ist instabil, wenn es mit der Hand oder dem Körper abgestützt wird, was zum Verlust der Kontrolle führen kann.
- Zubehör und Werkzeug können während des Betriebs heiß werden. Tragen Sie beim Umgang damit Handschuhe, wenn wärmeerzeugende Anwendungen wie Bohren in Metall durchgeführt werden.
- Luftöffnungen decken häufig bewegliche Teile ab und sollten freigehalten werden. Lose sitzende Kleidung, Schmuck oder lange Haare können sich in den beweglichen Teilen verfangen.
- Tragen Sie eine Schutzbrille oder anderen Augenschutz. Beim Hämmer- und Bohrbetrieb werden Späne in die Luft befördert. Fliegende Partikel können zu Augenverletzungen führen.
- Tragen Sie bei der Arbeit mit einem Schlagbohrer einen Gehörschutz. Lärm kann Gehörschäden verursachen.
- Benutzen Sie die mit dem Werkzeug gelieferten Zusatzgriffe. Der Verlust der Kontrolle kann Verletzungen verursachen.

- Betreiben Sie dieses Werkzeug nicht über lange Zeiträume. Durch das Werkzeug verursachte Vibrationen können für Ihre Hände und Arme schädlich sein. Tragen Sie Handschuhe als zusätzlichen Dämpfer und legen Sie häufig Pausen ein, um den Schwingungen nicht zu lange Zeit ausgesetzt zu sein.

- ◆ Schwerhörigkeit.
- ◆ Gesundheitsrisiken durch das Einatmen von Staub beim Gebrauch des Geräts (z. B. bei Holzarbeiten, insbesondere Eiche, Buche und Pressspan)

Sicherheitshinweise bei Verwendung langer Bohrerbits

- ◆ **Niemals mit einer höheren Drehzahl als der maximalen Drehzahl des Bohrers arbeiten.** Bei höheren Drehzahlen kann sich der Bohrer leicht verbiegen, wenn er sich frei drehen kann, ohne das Werkstück zu berühren, was zu Verletzungen führen kann.
- ◆ **Beginnen Sie beim Bohren immer mit niedriger Drehzahl und so, dass die Bohrerspitze in Kontakt mit dem Werkstück ist.** Bei höheren Drehzahlen kann sich der Bohrer leicht verbiegen, wenn er sich frei drehen kann, ohne das Werkstück zu berühren, was zu Verletzungen führen kann.
- ◆ **Üben Sie Druck nur in direkter Linie mit dem Bohrerbit aus und üben Sie keinen übermäßigen Druck aus.** Bits können sich verbiegen, was zu einem Bruch oder Kontrollverlust und dadurch zu Verletzungen führen kann.

Sicherheit anderer Personen

- ◆ Dieses Gerät darf nicht von Personen (einschließlich Kindern) mit eingeschränkten körperlichen, sensorischen oder geistigen Fähigkeiten oder mangelnder Erfahrung und Wissen in Bezug auf dessen Gebrauch bedient werden, es sei denn, sie werden bei der Verwendung des Geräts von einer erfahrenen Person beaufsichtigt oder angeleitet.
- ◆ Kinder müssen beaufsichtigt werden, um sicherzustellen, dass sie nicht mit dem Gerät spielen.

Restrisiken

Beim Gebrauch dieses Geräts verbleiben zusätzliche Restrisiken, die möglicherweise nicht in den Sicherheitswarnungen genannt werden. Diese Risiken bestehen beispielsweise bei Missbrauch oder längerem Gebrauch.

Auch bei der Einhaltung der entsprechenden Sicherheitsvorschriften und der Verwendung aller Sicherheitsgeräte bestehen weiterhin bestimmte Restrisiken. Diese sind:

- ◆ Verletzungen, die durch das Berühren von sich drehenden/bewegenden Teilen verursacht werden.
- ◆ Verletzungen, die durch das Austauschen von Teilen, Messern oder Zubehör verursacht werden.
- ◆ Der längere Gebrauch eines Geräts kann Verletzungen zur Folge haben. Legen Sie bei längerem Gebrauch regelmäßige Pausen ein.

Vibration

Die in den Abschnitten „Technische Daten“ und „EU-Konformitätserklärung“ angegebenen Werte für die Vibrationsemission wurden mit einer Standard-Prüfmethode nach EN62841 ermittelt und können zum Vergleich verschiedener Geräte herangezogen werden.

Außerdem kann mit Hilfe dieses Werts die Belastung bei Verwendung des Geräts schon im Voraus eingeschätzt werden.

Warnung! Die bei Verwendung des Geräts auftretende Vibrationsemission hängt von der Art des Gerätegebrauchs ab und kann dementsprechend von dem angegebenen Wert abweichen. Gegebenenfalls kann die Vibration über dem angegebenen Wert liegen.

Für die Ermittlung der Vibrationsbelastung müssen die tatsächlichen Einsatzbedingungen und Verwendungen des Geräts während des gesamten Arbeitsgangs berücksichtigt werden, einschließlich der Zeiten, wenn das Gerät nicht verwendet oder im Leerlauf betrieben wird. Diese Werte werden benötigt, um die gemäß 2002/44/EG erforderlichen Sicherheitsmaßnahmen zum Schutz von Personen festlegen zu können.

Etiketten am Werkzeug

Folgende Piktogramme sowie der Datumscode befinden sich auf dem Werkzeug:



Warnung! Lesen Sie vor Gebrauch die Anleitung. Andernfalls besteht Verletzungsgefahr.



Blicken Sie nicht in die eingeschaltete Leuchte

Wichtige Sicherheitshinweise für alle Werkzeuge mit integriertem Akku

Warnung! Lesen Sie alle Sicherheitshinweise, Anweisungen und Warnhinweise für den Akku, das Ladegerät und das Produkt. Das Nichtbeachten von Warnhinweisen und Anweisungen kann zu elektrischem Schlag, Brand und/oder schweren Verletzungen führen.

- ◆ Drücken Sie niemals einen Stecker des Ladegeräts mit Gewalt in das Werkzeug.
- ◆ Modifizieren Sie den Stecker eines nicht-kompatiblen Ladegeräts NICHT so, dass er in das Werkzeug passt, da der Akku sonst reißen und schwere Verletzungen verursachen kann.

- ◆ Laden oder verwenden Sie den Akku NICHT in explosionsgefährdeter Umgebung, in der sich brennbare Flüssigkeiten, Gase oder Stäube befinden. Beim Einstecken und Entfernen des Ladegeräts aus dem Werkzeug können sich Staub oder Dämpfe entzünden.
- ◆ Laden Sie den Akku nur mit dem mitgelieferten Ladekabel und einem geeigneten Klasse-2-Netzteil auf.
- ◆ Das Werkzeug KEINEM Spritzwasser aussetzen oder in Wasser tauchen.
- ◆ NICHT zulassen, dass Wasser oder irgendeine Flüssigkeit in das Werkzeug eindringt.
- ◆ Werkzeug NICHT in Bereichen lagern oder verwenden, in denen die Temperatur 40 °C erreichen oder überschreiten könnte (z. B. Scheunen oder Metallgebäude im Sommer). Für optimale Lebensdauer das Werkzeug an einem kühlen, trockenen Ort lagern.
- ◆ Das Werkzeug nicht lagern, wenn der Schalter noch gesperrt ist. Niemals einen Schalter in seiner Einschaltstellung mit Hilfe von Klebeband arretieren.
- ◆ Werkzeug NICHT verbrennen, auch nicht bei schwerer Beschädigung oder völliger Entleerung. Der Akku kann im Feuer explodieren. Es entstehen giftige Dämpfe und Stoffe, wenn Lithium-Ionen-Akkus verbrannt werden.
- ◆ Wenn der Inhalt des Akkus mit der Haut in Berührung kommt, den Bereich sofort mit milder Seife und Wasser abwaschen. Falls die Flüssigkeit in die Augen gelangt, das offene Auge 15 Minuten lang spülen, oder bis die Reizung aufhört. Ist ärztliche Hilfe erforderlich, geben Sie an, dass das Elektrolyt des Akkus eine Mischung aus flüssigen organischen Carbonaten und Lithiumsalzen ist.
- ◆ Der Inhalt von geöffneten Akkuzellen kann die Atemwege reizen. Für Frischluft sorgen. Bei anhaltenden Beschwerden einen Arzt aufsuchen.
- ◆ Die Akkuflüssigkeit kann brennbar sein, wenn sie Funken oder Flammen ausgesetzt wird.
- ◆ Keinesfalls versuchen, das Werkzeug zu öffnen. Nicht aufladen, wenn das Werkzeug gerissen oder beschädigt ist. Das Werkzeug nicht quetschen, fallen lassen oder beschädigen. Verwenden Sie niemals ein Werkzeug oder ein Ladegerät, wenn sie einen harten Schlag erlitten haben, fallen gelassen, überfahren oder sonst wie beschädigt wurden (z. B. wenn sie mit einem Nagel durchlöchert wurden, mit einem Hammer darauf geschlagen oder darauf getreten wurde). Beschädigte Werkzeuge sollten zum Recycling zur Kundendienststelle zurückgebracht werden.

Empfehlungen für die Lagerung

Der beste Aufbewahrungsort ist kühl und trocken, ohne direkte Sonneneinstrahlung und übermäßige Wärme oder Kälte.

Bewahren Sie das vollständig geladene Werkzeug getrennt vom Ladegerät auf.

Transport

Hinweis: Werkzeuge mit integriertem Li-Ion-Akku sollten in Flugzeugen nicht im aufgegebenen Gepäck mitgeführt werden. Sie müssen ordnungsgemäß vor Kurzschlüssen geschützt werden, wenn sie sich im Handgepäck befinden.

Wichtige Sicherheitshinweise zum Aufladen von Werkzeugen mit integriertem Akku

Warnung! Lesen Sie alle Sicherheitshinweise, Anweisungen und Warnhinweise für den Akku, das Ladekabel und das Produkt. Das Nichtbeachten von Warnhinweisen und Anweisungen kann zu elektrischem Schlag, Brand und/oder schweren Verletzungen führen.

- ◆ Das mitgelieferte Ladekabel ist ausschließlich zum Laden von wiederaufladbaren BLACK+DECKER-Werkzeugen mit Micro-Ladeanschlüssen bestimmt. Das Aufladen anderer Werkzeugtypen kann dazu führen, dass deren Akku überhitzen und platzen, was zu Verletzungen, Sachschäden, Brand, Elektroschock oder Stromschlag führen kann.
- ◆ Setzen Sie das Ladekabel weder Wasser, noch Regen oder Schnee aus.
- ◆ Fassen Sie das Kabel beim Abziehen an den Steckern und nicht am Ladekabel an. Dadurch wird das Risiko von Schäden an Steckern und Kabel verringert.
- ◆ Stellen Sie sicher, dass das Kabel so platziert wird, dass nicht darauf getreten bzw. darüber gestolpert oder es anderweitig beschädigt oder belastet wird.
- ◆ Wenn Sie das Werkzeug im Freien aufladen, sorgen Sie immer für einen trockenen Standort.
- ◆ Ladekabel NICHT verwenden, wenn Kabel oder Stecker beschädigt sind. Lassen Sie beschädigte Teile sofort ersetzen.
- ◆ Leitende Fremdmaterialien, wie z. B. Schleifstaub, Metallspäne, Stahlwolle, Aluminiumfolie oder die Ansammlung von Metallpartikeln von den Ladeanschlüssen und den Micro-Ladesteckern und -Ladeanschlüssen fernhalten.
- ◆ Trennen Sie das Ladekabel immer vom Netzteil, wenn kein Werkzeug daran befestigt ist.

Elektrische Sicherheit

Das Ladegerät ist schutzisoliert, daher ist keine Erdleitung erforderlich. Stellen Sie sicher, dass die Netzspannung der auf dem Typenschild des Geräts angegebenen Spannung entspricht. Ersetzen Sie das Ladegerät keinesfalls durch ein normales Netzkabel.



- ◆ Bei einer Beschädigung des Netzkabels muss dieses durch den Hersteller oder eine BLACK+DECKER Vertragswerkstatt ausgetauscht werden, um mögliche Gefahren zu vermeiden.

Warnung! Ersetzen Sie das Ladegerät keinesfalls durch ein normales Netzkabel.

Merkmale

Dieses Gerät verfügt über einige oder alle der folgenden Merkmale:

1. Drehzahl-Regelschalter
2. Vor-/Zurückwahlschalter
3. Drehmomenteinstellung
4. Schnellspannfutter
5. Ladegerät
- 5a. Ladeanschluss
- 5b. Ladestandsanzeige (erst sichtbar, wenn das Gerät eingesteckt wurde)
6. Zweiganggetriebe
7. LED-Arbeitsleuchte

Laden des Akkus (Abb. A)

Der integrierte Akku muss vor der erstmaligen Benutzung sowie immer dann aufgeladen werden, wenn das Gerät nicht mehr mit voller Leistung arbeitet. Der Akku kann sich während des Aufladens erwärmen. Das ist normal und deutet nicht auf ein Problem hin.

Warnung! Laden Sie den Akku nicht, wenn die Umgebungstemperatur unter 10 °C oder über 40 °C liegt. Empfohlene Ladetemperatur: ca. 24 °C.

Hinweis: Ein Akku, bei dem die Temperatur der Akkuzellen unter ca. 10 °C oder über 40 °C liegt, wird vom Ladegerät nicht geladen.

Lassen Sie in diesem Fall den integrierten Akku mit dem Ladegerät verbunden. Das Ladegerät beginnt automatisch mit dem Ladevorgang, sobald sich die Zellen erwärmt bzw. abgekühlt haben.

- ◆ Verbinden Sie den Ladestecker (5) mit dem Ladeanschluss (5a).
- ◆ Stecken Sie den Ladestecker (5) in die Steckdose.
- ◆ Warten Sie etwa 4 Stunden, bis der Akku vollständig aufgeladen ist.
- ◆ Die Ladestandsanzeige (5b) leuchtet während des Ladevorgangs.

Betriebsanleitung

Auslöseschalter & Richtungswahlschalter (Abb. B, C)


- ◆ Die Bohrmaschine wird ein- und ausgeschaltet, indem der Auslöseschalter (1) gedrückt und wieder losgelassen wird. Je tiefer der Auslöseschalter gedrückt wird, umso höher ist die Drehzahl der Bohrmaschine.

- ◆ Der Vor/Zurück-Schaltknopf (2) bestimmt die Drehrichtung und fungiert zudem als Einschaltsperrleiste.
- ◆ Für die Vorwärtsdrehung lassen Sie den Auslöseschalter los und schieben den Vor/Zurück-Schaltknopf nach links.
- ◆ Um die Drehrichtung zu ändern, drücken Sie den Vor/Zurück-Schaltknopf in die entgegengesetzte Richtung.
- ◆ Bewegen Sie den Vor-/Zurückwahlschalter in die mittlere Stellung, um das Gerät zu sperren.

Hinweis: In der mittleren Stellung des Reglers ist das Werkzeug in der AUS-Stellung verriegelt. Achten Sie darauf, dass der Auslöseschalter entriegelt ist, wenn Sie diesen Regler verstellen.

Einstellen des Drehmoments (Abb. D)

Dieses Gerät verfügt über eine Drehmomentvorwahl (3) zur Auswahl des Betriebsmodus und des Drehmoments zum Festziehen von Schrauben. Für große Schrauben und härtere Werkstücke muss ein größeres Drehmoment eingestellt werden als für kleine Schrauben und weiche Werkstücke.

- ◆ Um Bohrungen vorzunehmen, stellen Sie die Drehmomentvorwahl auf das Symbol  ein.
- ◆ Stellen Sie zum Ausführen von Schraubarbeiten an der Drehmomentvorwahl die gewünschte Position ein. Sollten Ihnen die jeweils erforderlichen Einstellungen noch nicht bekannt sein, gehen Sie wie folgt vor:
 - ◆ Stellen Sie das niedrigste Drehmoment ein.
 - ◆ Ziehen Sie mit dieser Einstellung die erste Schraube fest.
 - ◆ Wenn die Kupplung vor der gewünschten Festigkeit der Schraubverbindung rattert, erhöhen Sie die Drehmomenteinstellung, und fahren Sie fort. Wiederholen Sie diesen Vorgang so lange, bis Sie die richtige Einstellung gefunden haben. Verwenden Sie diese Einstellung auch für die übrigen Schrauben.

Schnellspannbohrfutter (Abb. E)

Warnung! Die Einschaltsperrleiste muss eingerastet sein, damit keine unbeabsichtigte Bedienung des Ein-/Aus-Schalters vor dem Entfernen bzw. Anbringen von Zubehör erfolgen kann. So setzen Sie einen Bohreinsatz oder ein anderes Zubehörteil ein:

- ◆ Halten Sie die hintere Hälfte des Bohrfutters (8) mit einer Hand und verwenden Sie die andere Hand, um die vordere Hälfte (9) gegen den Uhrzeigersinn zu drehen (vom Ende des Bohrfutters aus gesehen).
- ◆ Setzen Sie den Bohreinsatz oder ein anderes Zubehörteil ordnungsgemäß in das Bohrfutter ein und ziehen Sie das Bohrfutter wieder fest, indem Sie die hintere Hälfte des Bohrfutters festhalten und den vorderen Teil im Uhrzeigersinn drehen (vom Ende des Bohrfutters aus gesehen).

Warnung! Versuchen Sie niemals, Bohreinsätze oder andere Zubehörteile festzuziehen, indem Sie den vorderen Teil des Bohrfutters festhalten und das Gerät einschalten.

Dabei kann das Spannfutter beschädigt werden und es kann zu schweren Verletzungen kommen.

Zweigangetriebe (Abb. F)

Das Zweigangetriebe an Ihrem Bohrer ermöglicht den Gangwechsel für eine größere Anpassungsfähigkeit. Zur Auswahl der niedrigen Geschwindigkeit mit hohem Drehmoment (Position 1) schalten Sie das Gerät aus und lassen es auslaufen. Schieben Sie den Gangschalterknopf (6) zurück, d.h. vom Spannfutter weg. Zur Auswahl der hohen Geschwindigkeit mit niedrigem Drehmoment (Position 2) schalten Sie das Gerät aus und lassen es auslaufen. Schieben Sie den Gangschalterknopf nach vorne zum Spannfutter.

Hinweis: Wechseln Sie während des Gerätebetriebs nicht die Gänge. Bei Problemen beim Gangwechsel prüfen Sie, dass der Zweigangetriebewähler entweder komplett nach vorne oder hinten geschoben ist.

Bohren/Schrauben (Abb. C)

- ◆ Wählen Sie mithilfe des Vor-/Zurückwahlschalters (2) die Vorwärts- bzw. Rückwärtsdrehung aus.
- ◆ Drücken Sie zum Einschalten des Geräts den Schalter (1). Die Leistung des Geräts ist davon abhängig, wie tief Sie den Schalter hineindrücken.
- ◆ Lassen Sie zum Ausschalten des Geräts den Schalter los.

Hinweise für optimale Arbeitsergebnisse

Bohren

- ◆ Verwenden Sie nur scharfe Bohrerbits.
- ◆ Unterstützen und sichern Sie Werkstücke angemessen, wie in den Sicherheitshinweisen beschrieben.
- ◆ Verwenden Sie die richtige und erforderliche Sicherheitsausrüstung, wie in den Sicherheitshinweisen beschrieben.
- ◆ Sichern Sie den Arbeitsbereich und halten Sie ihn aufgeräumt, wie in den Sicherheitshinweisen beschrieben.
- ◆ Lassen Sie den Bohrer sehr langsam und nur mit leichtem Druck laufen, bis das Loch groß genug ist, dass der Bohreinsatz nicht mehr herausrutschen kann.
- ◆ Üben Sie nur parallel zum Bohreinsatz Druck aus. Der ausgeübte Druck darf nicht größer sein als für den Bohrvorgang erforderlich. Bei zu hohem Druck blockiert der Motor oder der Bohreinsatz wird beschädigt.
- ◆ Halten Sie das Gerät mit beiden Händen fest, damit Sie es besser führen können.
- ◆ **WENN DER BOHRER BLOCKIERT IST, VERSUCHEN SIE NICHT, IHN DURCH WIEDERHOLTES BETÄTIGEN DES EIN-/AUSSCHALTERS WIEDER ZUM LAUFEN ZU BRINGEN. DER BOHREINSATZ KANN DADURCH BESCHÄDIGT WERDEN.**

- ◆ Verringern Sie im letzten Teil des Bohrlochs den Druck und die Geschwindigkeit, um ein Blockieren beim Durchbohren zu vermeiden.
- ◆ Lassen Sie den Motor an, während Sie den Bohrer aus einem gebohrten Loch ziehen. Dadurch wird verhindert, dass der Bohreinsatz einklemmt.
- ◆ Stellen Sie sicher, dass sich der Bohrer über den Schalter ein- und ausschalten lässt.

In Holz bohren

Holz kann entweder mit denselben Spiralbohreinsätzen bearbeitet werden, die auch für Metall verwendet werden, oder mit Spitzbohrern. Die Bohreinsätze sollten spitz sein und regelmäßig entnommen werden, um das Gerät von Spänen zu säubern.

In Metall bohren

Verwenden Sie beim Bohren in Metall ein Schneidöl. Ausnahmen sind Gusseisen und Messing, die trocken gebohrt werden müssen. Die besten Schmierstoffe sind schwefelhaltiges Schneidöl oder Schmalzöl.

In Mauerwerk bohren

Stellen Sie zum Bohren in Mauerwerk die Drehmomentvorwahl (3) auf die Schlagbohreinstellung, indem Sie das entsprechende Symbol an der Markierung ausrichten. Schieben Sie den Geschwindigkeitsregler (6) nach vorn (zweiter Gang).

Schraubarbeiten

- ◆ Verwenden Sie stets Schraubendrehereinsätze der richtigen Art und Größe.
- ◆ Wenn sich Schrauben nur schwer anziehen lassen, tragen Sie etwas Spülmittel oder Seife als Schmiermittel auf.
- ◆ Halten Sie das Gerät und den Schraubendrehereinsatz stets in gerader Linie zur Schraube.

Fehlerbehebung

Problem	Mögliche Ursache	Mögliche Lösung
Gerät startet nicht.	Der Akku ist nicht geladen.	Prüfen Sie die erforderliche Ladekapazität
Akku lädt nicht.	Das Ladegerät ist nicht mit dem Stromnetz verbunden. Umgebungstemperatur zu hoch oder zu niedrig.	Stecken Sie den Stecker des Ladegeräts in eine aktive Steckdose. Bringen Sie das Ladegerät an einen Ort, der eine Umgebungstemperatur von über 4,5°C und unter +40,5°C aufweist.

Das Gerät schaltet sich unerwartet aus.	Der Akku hat seine thermische Belastungsgrenze erreicht.	Lassen Sie den Akku abkühlen.
	Akku ist entladen. Um die Lebensdauer des Akkus zu maximieren, wurde er so konzipiert, dass er sich sofort abschaltet, wenn die Ladung aufgebraucht ist.	Bringen Sie ihn am Ladegerät an, so dass er aufgeladen wird.

Wartung

Ihr BLACK+DECKER Gerät wurde im Hinblick auf eine lange Lebensdauer und einen möglichst geringen Wartungsaufwand entwickelt. Ein kontinuierlicher, zufriedenstellender Betrieb hängt von der richtigen Pflege des Gerätes und seiner regelmäßigen Reinigung ab.

Das Ladegerät benötigt keine Wartung, es sollte jedoch regelmäßig gereinigt werden.

Warnung! Ziehen Sie vor jeglichen Reinigungs- oder Wartungsarbeiten am Gerät den Netzstecker des Ladegeräts aus der Steckdose.

- Reinigen Sie regelmäßig die Lüftungsschlitze des Geräts mit Hilfe einer weichen Bürste oder eines trockenen Tuchs.
- Reinigen Sie das Motorgehäuse regelmäßig mit einem feuchten Tuch. Verwenden Sie keine scheuernden Reinigungsmittel oder Reinigungsmittel auf Lösungsmittelbasis.

Umweltschutz



Getrennte Entsorgung. Produkte und Akkus mit diesem Symbol dürfen nicht mit dem normalen Hausmüll entsorgt werden.

Produkte und Akkus enthalten Materialien, die wiederverwertet werden können, um den Bedarf an Rohstoffen zu verringern. Bitte recyceln Sie elektrische Produkte und Akkus gemäß den örtlichen Bestimmungen.

Weitere Informationen finden Sie auf www.2helpU.com

Technische Daten

REVHD12C H1		
Spannung	V_{DC}	12
Leerlaufdrehzahl	min^{-1}	0-350 / 0-1350 U/min
Max. Drehmoment	Nm	17,5/40
Bohrfutterspannweite	mm	1 - 10
Maximale Bohrtiefe		
Stahl/Holz/Mauerwerk	mm	10 / 25 / 10

REVHD12C H1		
Gewicht	kg	1,0

Integrierter Akku		
Akkutyp		Li-Ionen
Ah (Nennwert)		1,5

Ladegerät		
S010*1400040		
Eingangsspannung	V_{AC}	230
Ausgangsspannung	V_{DC}	10,8
Stromstärke	mA	400 mA
Ungefähre Ladezeit	h	4

Schalldruckpegel gemäß EN 62841:		
Schalldruck (L_{pA}) 84, Unsicherheitsfaktor (K) 5 dB(A)		
Schalleistung (L_{WA}) 95 dB(A), Unsicherheitsfaktor (K) 5 dB(A)		

Gesamtvibration (Triax-Vektorsumme) gemäß EN 62841:		
Metallbohren (a_{h1}) 0,9 m/s^2 , Unsicherheitsfaktor (K) 1,5 m/s^2		
Schlagbohren in Beton (a_{h2}) 17,1 m/s^2 , Unsicherheitsfaktor (K) 1,5 m/s^2		

EU-Konformitätserklärung

MASCHINENRICHTLINIE



REVHD12C Schlagschrauber

Black & Decker erklärt, dass die in den „Technischen Daten“ beschriebenen Geräte übereinstimmen mit:

EN62841-1:2015, EN62841-2-1:2018+A11:2019.

Diese Produkte entsprechen außerdem den Richtlinien 2006/42/EC, 2014/30/EU und 2011/65/EU. Weitere Informationen erhalten Sie von Black & Decker unter der folgenden Adresse. Diese befindet sich auch auf der Rückseite dieser Anleitung.

Der Unterzeichnete ist verantwortlich für die Zusammenstellung des technischen Dossiers und gibt diese Erklärung im Namen von

Black & Decker ab.

Patrick Diepenbach

Patrick Diepenbach
General Manager, Benelux
Black and Decker,
Egide Walschaertsstraat 14-18
2800 Mechelen, Belgien
30.03.2022

Garantie

Black & Decker vertraut auf die Qualität der eigenen Geräte und bietet dem Käufer eine außergewöhnliche Garantie von 24 Monaten ab Kaufdatum.

Diese Garantie versteht sich unbeschadet der gesetzlichen Gewährleistungsansprüche und schränkt diese keinesfalls ein.

Diese Garantie gilt innerhalb der Staatsgebiete der Mitgliedstaaten der Europäischen Union, der Europäischen Freihandelszone und des Vereinigten Königreichs.

Zur Inanspruchnahme dieser Garantie muss sie den allgemeinen Geschäftsbedingungen von Black & Decker entsprechen und dem Verkäufer bzw. der Vertragswerkstatt ist ein Kaufnachweis vorzulegen.

Die Bedingungen für die 2-jährige Garantie von Black & Decker und den Standort Ihrer nächstgelegenen Vertragswerkstatt finden Sie im Internet unter www.2helpU.com oder indem Sie sich an die lokale Black & Decker-Niederlassung wenden, deren Adresse Sie in dieser Anleitung finden.

Ihr neues Black & Decker Produkt können Sie auf unserer Website unter www.blackanddecker.de registrieren. Dort erhalten Sie auch Informationen über neue Produkte und Sonderangebote.

FRANÇAIS

(Traduction des instructions initiales)

Utilisation prévue

Votre perceuse à choc BLACK+DECKER™ a été conçue pour visser et percer le bois le métal et les matériaux de maçonnerie. Cet outil est destiné à un usage grand public uniquement.

Consignes de sécurité

Avertissements de sécurité générale propres aux outils électriques



Avertissement ! Veuillez à lire tous les avertissements sur la sécurité, toutes les instructions, les illustrations et

les spécifications fournies avec cet outil électrique. Le non-respect des avertissements et des instructions listés ci-dessous peut occasionner des décharges électriques, des incendies et/ou de graves blessures.

Conservez tous les avertissements et toutes les instructions afin de pouvoir vous y référer dans le futur. Le terme "outil électrique" mentionné dans tous les avertissements listés ci-dessous fait référence à vos outils électriques branchés sur secteur (avec fil) ou fonctionnant sur pile ou batterie (sans fil).

1. Sécurité de la zone de travail

- a. Maintenez la zone de travail propre et bien éclairée.

Les zones sombres ou encombrées sont propices aux accidents.

- b. **N'utilisez pas d'outils électriques dans un environnement présentant des risques d'explosion ou en présence de liquides, gaz ou poussières inflammables.**

Les outils électriques créent des étincelles qui peuvent enflammer les poussières et les fumées.

- c. **Maintenez les enfants et les autres personnes à l'écart quand vous utilisez un outil électrique.** Toute distraction peut vous faire perdre le contrôle de l'outil.

2. Sécurité électrique

- a. **Les prises des outils électriques doivent correspondre à la prise de courant murale. Ne modifiez jamais la prise d'aucune sorte. N'utilisez aucun adaptateur avec des outils électriques reliés à la terre.** L'utilisation de prises d'origine et de prises murales appropriées permet de réduire le risque de décharge électrique.
- b. **Évitez tout contact physique avec des surfaces reliées à la terre comme des tuyaux, des radiateurs, des fours et des réfrigérateurs par exemple.** Il y a sinon un risque accru de décharge électrique si votre corps est lui-même relié à la terre.
- c. **N'exposez pas les outils électriques à la pluie, ni à l'humidité.** Le risque de décharge électrique augmente si de l'eau pénètre dans un outil électrique.
- d. **Ne tirez pas sur le cordon d'alimentation. N'utilisez jamais le cordon pour transporter, tirer ou débrancher l'outil électrique. Maintenez le cordon à l'écart de la chaleur, des substances grasses, des bords tranchants ou des pièces mobiles.** Les cordons endommagés ou emmêlés augmentent les risques de décharges électriques.
- e. **Si vous utilisez un outil électrique à l'extérieur, utilisez une rallonge homologuée pour les travaux en extérieur.** L'utilisation d'une rallonge électrique homologuée pour les travaux en extérieur réduit le risque de décharge électrique.
- f. **Si l'utilisation d'un outil électrique dans un endroit humide est inévitable, utilisez une alimentation électrique protégée par un disjoncteur différentiel à courant résiduel (DDR).** L'utilisation d'un DDR réduit le risque de décharge électrique.

3. Sécurité des personnes

- a. **Restez vigilant, surveillez ce que vous faites et faites preuve de bon sens lorsque vous utilisez un outil électrique.**
N'utilisez pas d'outils électriques si vous êtes fatigué ou sous l'influence de drogue, d'alcool ou de médicaments.

- Tout moment d'inattention pendant l'utilisation d'un outil électrique peut engendrer de graves blessures.
- b. **Portez des équipements de protection individuelle. Portez toujours une protection oculaire.**
Les équipements de protection comme les masques à poussière, les chaussures de sécurité antidérapantes, les casques ou les protections auditives utilisés à bon escient réduisent le risque de blessures.
 - c. **Empêchez tout démarrage intempestif. Assurez-vous que l'interrupteur est en position Arrêt avant de raccorder l'outil à l'alimentation électrique et/ou au bloc-batterie ou avant de ramasser ou de transporter l'outil.** Le fait de transporter les outils électriques le doigt sur l'interrupteur ou d'alimenter les outils électriques dont l'interrupteur est déjà en position de marche augmente le risque d'accidents.
 - d. **Retirez toutes les clés ou pinces de réglage avant de mettre l'outil en marche.** Une clé ou une pince restée fixée sur une pièce rotative de l'outil électrique peut engendrer des blessures.
 - e. **Ne vous penchez pas. Gardez les pieds bien ancrés au sol et conservez votre équilibre en permanence.** Cela permet de mieux maîtriser l'outil électrique en cas de situations imprévues.
 - f. **Portez des vêtements appropriés. Ne portez aucuns vêtements amples, ni bijoux. Gardez vos cheveux, vos vêtements et vos gants loin des pièces mobiles.** Les vêtements amples, les bijoux ou les cheveux longs peuvent être happés par les pièces mobiles.
 - g. **Si vous disposez de dispositifs pour le raccordement d'un extracteur de poussière ou d'installations pour la récupération, assurez-vous qu'ils sont correctement raccordés et utilisés.** L'utilisation de dispositifs récupérateurs de poussières réduit les risques liés aux poussières.
 - h. **Ne pensez pas être familiarisé avec l'outil après l'avoir utilisé à de nombreuses reprises, au point de ne plus rester vigilant et d'en oublier les consignes de sécurité.** Toute action imprudente peut provoquer de graves blessures en une fraction de seconde.
4. **Utiliser et entretenir un outil électrique**
 - a. **Respectez la capacité de l'outil. Utilisez l'outil approprié, adapté pour le travail à réaliser.** Un outil adapté fonctionne mieux, de façon plus sûre et à la cadence pour laquelle il a été conçu.
 - b. **N'utilisez pas l'outil électrique si son interrupteur ne permet pas de l'allumer ou de l'éteindre.** Tout outil électrique qui ne peut plus être commandé par son interrupteur est dangereux et il doit être réparé.
 - c. **Débranchez la prise de courant et/ou retirez le bloc-batterie de l'outil électrique avant d'effectuer tout réglage, de changer un accessoire ou de ranger l'outil électrique.** Ces mesures de sécurité préventives réduisent le risque de démarrage accidentel de l'outil électrique.
 - d. **Rangez les outils électriques non utilisés hors de portée des enfants et ne laissez aucune personne ne connaissant pas ces outils ou leurs instructions d'utilisation les faire fonctionner.**
Les outils électriques peuvent être dangereux entre des mains inexpérimentées.
 - e. **Entretenez vos outils électriques et leurs accessoires. Vérifiez que les pièces mobiles sont alignées correctement et qu'elles ne sont pas coincées. Vérifiez qu'aucune pièce n'est cassée et contrôlez l'absence de toute autre condition qui pourrait nuire au bon fonctionnement de l'outil. En cas de dommage, faites réparer l'outil électrique avant de le réutiliser.**
De nombreux accidents sont provoqués par des outils électriques mal entretenus.
 - f. **Maintenez les organes de coupe affûtés et propres.**
Des organes de coupe bien entretenus et dont le tranchant est affûté sont moins susceptibles de rester coincés et ils sont plus faciles à contrôler.
 - g. **Utilisez l'outil électrique, les accessoires et les embouts d'outils conformément à ces instructions, en tenant compte des conditions de travail et de la tâche à effectuer.** L'utilisation d'un outil électrique à d'autres fins que celles pour lesquelles il a été prévu peut entraîner des situations dangereuses.
 - h. **Veillez à ce que les poignées et les surfaces de préhension restent sèches et propres, sans trace d'huile ou de graisse.** Des poignées et des surfaces de préhension glissantes ne permettent pas de manipuler et de maîtriser l'outil correctement en cas de situations inattendues.
5. **Utiliser et entretenir un outil fonctionnant sur batterie**
 - a. N'effectuez la recharge qu'à l'aide du chargeur spécifié par le fabricant. Un chargeur adapté pour un type de bloc-batterie peut engendrer un risque d'incendie s'il est utilisé avec un bloc-batterie différent.
 - b. N'utilisez les outils électriques qu'avec les blocs-batteries qui leurs sont dédiés. L'utilisation d'autres blocs-batteries peut créer un risque de blessures et d'incendie.
 - c. Quand le bloc-batterie n'est pas utilisé, éloignez-le des objets métalliques comme les trombones, les pièces, les clés, les clous, les vis ou les autres petits objets qui pourraient créer un contact entre les deux bornes. La mise en court-circuit des bornes d'une batterie peut provoquer des brûlures ou un incendie.

- d. En cas d'utilisation abusive, du liquide peut être éjecté de la batterie. Évitez tout contact avec ce liquide. En cas de contact accidentel, rincez à l'eau. En cas de contact avec les yeux, consultez en plus un médecin. Le liquide sortant de la batterie peut provoquer des irritations ou des brûlures.
- e. N'utilisez pas un bloc-batterie ou un outil qui est endommagé ou qui a été modifié. Un bloc-batterie endommagé ou modifié peut avoir un comportement imprévisible qui peut entraîner un incendie, une explosion ou à un risque de blessure.
- f. N'exposez pas le bloc-batterie ou l'outil au feu ou à des températures excessives. L'exposition au feu ou à des températures dépassant 130 °C peut provoquer une explosion.

Remarque : La température "130 °C" peut être remplacée par la température "265 °F".

- g. Respectez les instructions de charge et ne rechargez pas le bloc-batterie ou l'outil en dehors de la plage de températures spécifiée dans les instructions. Une charge mal effectuée ou à des températures hors de la plage spécifiée peut endommager le bloc-batterie et augmenter le risque d'incendie.

6. Révision/Réparation

- a. Ne faites réviser/réparer votre outil électrique que par un réparateur qualifié qui n'utilise que des pièces de rechange d'origine. Cela permet de garantir la sûreté de l'outil électrique.
- b. Ne réparez jamais des blocs-batteries endommagés. Les réparations sur les blocs-batteries ne doivent être effectuées que par le fabricant ou l'un de ses prestataires de services agréés.

Consignes de sécurité pour toutes les opérations

- **Portez des protections auditives pour le perçage à percussion.** L'exposition au bruit peut provoquer la perte de l'ouïe.
- **Ne tenez l'outil électrique que par ses surfaces de préhension isolées lorsque vous intervenez là où l'accessoire de coupe pourrait entrer en contact avec des fils cachés.** Tout contact de l'organe de coupe avec un fil sous tension peut mettre les parties métalliques exposées de l'outil sous tension et provoquer une décharge électrique à l'utilisateur.

Avertissements supplémentaires liés à la sécurité, propres aux outils électriques



Avertissement ! Avertissements de sécurité supplémentaires propres aux perceuses/visseuses/marteaux perforateurs.

- Utilisez des pinces ou tout autre moyen pratique pour fixer et soutenir l'ouvrage sur une plateforme stable. Tenir l'ouvrage à la main ou contre votre corps le rend instable et peut conduire à une perte de contrôle.
- Les accessoires et les outils peuvent devenir chauds pendant l'utilisation. Portez des gants pour les manipuler lorsque vous réalisez des opérations qui produisent de la chaleur comme le perçage du métal par exemple.
- Les événements d'aération recouvrent souvent les pièces mobiles et doivent être évités. Les vêtements amples, les bijoux ou les cheveux longs peuvent être happés par les pièces mobiles.
- Portez des lunettes de protection ou une autre protection oculaire. Les opérations de perçage et de percage à percussion peuvent projeter des éclats. Les particules projetées peuvent occasionner des lésions oculaires permanentes.
- Portez des protections auditives pour le perçage à percussion. L'exposition au bruit peut provoquer la perte de l'ouïe.
- Utilisez la/les poignée(s) auxiliaire(s), fournie(s) avec l'outil. La perte de contrôle peut provoquer des blessures.
- N'utilisez pas cet outil de façon prolongée. Les vibrations engendrées par l'outil peuvent être nocives pour les mains et les bras. Utilisez des gants pour les amortir et limitez l'exposition en faisant régulièrement des pauses.

Consignes de sécurité pour l'utilisation de mèches longues

- ◆ **Ne les utilisez jamais à une vitesse supérieure à leur vitesse nominale maximum.** À grande vitesse, la mèche peut plier si elle tourne dans le vide sans être en contact avec l'ouvrage et des blessures sont possibles.
- ◆ **Commencez toujours à percer à faible vitesse alors que la pointe de la mèche est en contact avec l'ouvrage.** À grande vitesse, la mèche peut plier si elle tourne dans le vide, sans être en contact avec l'ouvrage et des blessures sont alors possibles.
- ◆ **N'exercez qu'une faible pression, toujours en ligne avec la mèche.** Les mèches peuvent plier et casser et ainsi provoquer une perte de contrôle et des blessures.

Sécurité des personnes

- ◆ Cet appareil n'est pas conçu pour être utilisé par des personnes (y compris des enfants) aux capacités physiques, sensorielles ou intellectuelles réduites ou sans expérience ni connaissances, à moins qu'elles ne soient supervisées ou qu'elles n'aient été formées sur la façon d'utiliser l'appareil, par une personne responsable de leur sécurité.
- ◆ Les enfants doivent être surveillés pour garantir qu'ils ne jouent pas avec l'appareil.



Ne regardez pas directement la lampe allumée

Risques résiduels

Certains risques résiduels autres que ceux mentionnés dans les avertissements sur la sécurité peuvent survenir en utilisant l'outil.

Ces risques peuvent être dus à une utilisation incorrecte, une utilisation prolongée, etc.

Malgré le respect de toutes les réglementations pertinentes sur la sécurité et la mise en œuvre de dispositifs de sécurité, certains risques résiduels ne peuvent pas être évités. Ils comprennent :

- ◆ Les blessures dues au contact avec des pièces mobiles/ en rotation.
- ◆ Les blessures dues au changement de pièces, de lames ou d'accessoires.
- ◆ Les blessures dues à l'utilisation prolongée d'un outil. Lorsque vous utilisez un outil quel qu'il soit pendant de longues périodes, veillez à faire des pauses régulières.
- ◆ Les troubles de l'ouïe.
- ◆ Les risques pour la santé dus à l'inhalation des poussières émises pendant l'utilisation de l'outil (exemple : travail avec du bois, surtout le chêne, le hêtre et les panneaux en MDF).

Vibrations

La valeur des vibrations émises déclarée dans les caractéristiques techniques et la déclaration de conformité a été mesurée conformément à la méthode de test normalisée établie par la norme EN62841 et elle peut être utilisée pour comparer un outil à un autre.

La valeur des vibrations émises déclarée peut aussi être utilisée pour une évaluation préliminaire à l'exposition.

Avvertissement ! En fonction de la manière dont l'outil est utilisé, la valeur réelle des vibrations émises pendant son utilisation peut différer de la valeur déclarée. Le niveau des vibrations peut dépasser le niveau déclaré.

Quand l'exposition aux vibrations est évaluée afin de déterminer les mesures de sécurité requises par la norme 2002/44/CE pour protéger les personnes utilisant régulièrement des outils électriques, l'estimation de l'exposition aux vibrations doit tenir compte des conditions réelles d'utilisation et de la façon dont l'outil est utilisé. Il faut également tenir compte de toutes les composantes du cycle de fonctionnement comme les durées pendant lesquelles l'outil est éteint et quand il fonctionne au ralenti, en plus de la durée de déclenchement.

Étiquettes apposées sur l'outil

Les pictogrammes suivants ainsi que le code date sont apposés sur l'outil :



Avvertissement ! Afin de réduire le risque de blessures, l'utilisateur doit lire la notice d'utilisation.

Consignes de sécurité importantes propres à tous les outils avec batterie intégrée

Avvertissement ! Veillez à lire tous les avertissement et toutes les consignes de sécurité ainsi que les marquages de précaution de la batterie, du chargeur et du produit lui-même. Le non-respect des avertissements et des consignes peut entraîner des décharges électriques, des incendies et/ou de graves blessures.

- ◆ Ne forcez jamais pour insérer la prise du chargeur dans l'outil.
- ◆ NE modifiez JAMAIS la prise d'un chargeur non compatible de quelque façon que ce soit pour la faire entrer dans l'outil car la batterie pourrait sinon éclater et provoquer de graves blessures.
- ◆ NE rechargez et n'utilisez PAS la batterie dans un environnement présentant des risques d'explosion ou en présence de liquides, de gaz ou de poussières inflammables.

L'insertion ou le retrait de la prise du chargeur dans l'outil peut faire embraser les poussières ou les fumées.

- ◆ Ne rechargez la batterie qu'avec le câble de charge fourni et sur une alimentation électrique adaptée de classe 2.
- ◆ N'éclaboussez PAS l'équipement et NE l'immergez PAS dans l'eau.
- ◆ NE laissez PAS d'eau ou tout autre liquide pénétrer dans l'outil.
- ◆ NE rangez et N'utilisez PAS l'outil dans des endroits où la température peut atteindre ou dépasser 104 °F (40 °C) (comme des remises extérieures ou des bâtiments métalliques en été par exemple). Pour une meilleure durée de vie, rangez vos outils dans un endroit frais et sec.
- ◆ Ne rangez pas l'outil avec l'interrupteur bloqué en position Marche. Ne bloquez jamais l'interrupteur en position Marche.
- ◆ N'incinerez PAS l'outil même s'il est sévèrement endommagé ou complètement hors d'usage. La batterie peut exposée dans les flammes. La combustion des batteries lithium-ion génère des fumées et des substances toxiques.
- ◆ Si le contenu de la batterie entre en contact avec la peau, lavez immédiatement la zone avec du savon doux et de l'eau. Si le liquide de la batterie entre en contact avec les yeux, rincez l'œil ouvert pendant 15 minutes ou jusqu'à ce que l'irritation cesse.

Si des soins médicaux sont nécessaires, sachez que l'électrolyte de la batterie est composé d'un mélange de carbonates organiques liquides et de sels de lithium.

- ◆ Le contenu des cellules d'une batterie ouverte peut provoquer une irritation des voies respiratoires. Aérez correctement.
- Si les symptômes persistent, consultez un médecin.
- ◆ Le liquide de la batterie peut s'enflammer s'il est exposé à des étincelles ou à une flamme.
- ◆ Ne tentez d'ouvrir l'outil sous aucun prétexte.
- Si le boîtier de l'outil est fissuré ou endommagé, ne rechargez plus l'outil. N'écrasez pas l'outil, ne le faites pas tomber et ne l'endommagez pas.
- N'utilisez pas l'outil ou le chargeur s'ils ont reçu un coup violent, s'ils ont chuté, s'ils ont été écrasés ou endommagés de quelque façon que ce soit (percés par un clou, frappés avec un marteau ou piétinés par exemple).
- Les outils endommagés doivent être rapportés dans un centre d'assistance pour y être recyclés.

Recommandations pour le rangement

Le lieu idéal de rangement est un lieu frais et sec, à l'abri des rayons directs du soleil et de tout excès de chaleur ou de froid.

Rangez l'outil complètement rechargé et débranché du chargeur.

Transport

Remarque : Les outils avec batterie li-ion intégrée ne doivent pas voyager en soute dans les avions et ils doivent être correctement protégés contre les courts-circuits s'ils voyagent en cabine.

Consignes de sécurité importantes propres à la charge de toutes les batteries intégrées

Avertissement ! Veillez à lire tous les avertissement et toutes les consignes de sécurité ainsi que les marquages de précaution de la batterie, du câble de charge et du produit lui-même. Le non-respect des avertissements et des consignes peut entraîner des décharges électriques, des incendies et/ou de graves blessures.

- ◆ Le câble de charge fourni n'est pas destiné à autre chose que la charge des outils rechargeables BLACK+DECKER munis d'une micro prise de charge. Le fait de recharger d'autres types d'outils peut provoquer la surchauffe et l'éclatement de la batterie et entraîner des blessures, des dégâts matériels, des décharges électriques ou une électrocution.
- ◆ N'exposez PAS, le câble de charge à l'eau, à la pluie ou à la neige.
- ◆ Pour débrancher le câble de charge, tirez sur les prises et non sur le cordon. Cela permet de réduire le risque d'endommager les prises et le cordon.

- ◆ Veillez à placer le cordon de sorte qu'il ne puisse faire trébucher personne, qu'on ne puisse pas marcher dessus et qu'il ne puisse pas être autrement endommagé.
- ◆ Si vous devez recharger l'outil à l'extérieur, veillez à ce que ce soit toujours dans un endroit sec.
- ◆ N'utilisez PAS le câble de charge si le cordon ou les prises sont endommagés. Faites-les immédiatement remplacer.
- ◆ Les corps étrangers de nature conductrice comme, notamment et entre autres, les poussières de meulage, les copeaux métalliques, la laine d'acier, les feuilles d'aluminium ou toute autre accumulation de particules métalliques doivent être tenus à distance des prises et des ports de charge (micro ou normales) .
- ◆ Débranchez toujours le câble de charge de l'alimentation électrique quand il n'est pas branché dans l'outil.

Sécurité électrique

Votre chargeur dispose d'une double isolation, aucune liaison à la terre n'est donc nécessaire. Vérifiez toujours que la tension du réseau électrique correspond à la tension mentionnée sur la plaque signalétique.

N'essayez jamais de remplacer le module de charge par une prise de courant ordinaire.



- ◆ Si le câble d'alimentation est endommagé, il doit être remplacé par le fabricant ou par un centre d'assistance BLACK+DECKER agréé afin d'éviter tout accident.

Avertissement ! N'essayez jamais de remplacer le module de charge par une prise de courant ordinaire.

Caractéristiques

Cet outil dispose de tout ou partie des caractéristiques suivantes :

1. Interrupteur variateur de vitesse
2. Curseur de réglage du sens de rotation
3. Bague de réglage du couple
4. Mandrin sans clé
5. Chargeur
- 5a. Port de charge
- 5b. Témoins de charge (invisible tant qu'il n'est pas branché)
6. Système de transmission à double plage
7. Éclairage de travail à LED

Recharger la batterie (Fig. A)

La batterie intégrée doit être rechargée avant la première utilisation et chaque fois qu'elle n'apporte plus assez de puissance pour les travaux réalisés sans peine auparavant. La batterie peut devenir chaude pendant la charge. Ce phénomène est normal et n'indique pas un problème.

Avertissement ! Ne rechargez pas la batterie à une température ambiante inférieure à 10 °C ou supérieure à 40 °C. La température recommandée est d'environ 24 °C.

Remarque : Le chargeur ne recharge pas la batterie si la température de la cellule est inférieure à environ 10 °C ou supérieure à 40 °C.

La batterie intégrée doit rester raccordée au chargeur et le chargeur commence automatiquement la charge dès que la température de la cellule remonte ou redescend.

- ◆ Insérez le connecteur de charge (5) dans le port de charge (5a).
- ◆ Branchez le connecteur de charge (5).
- ◆ Laissez l'outil branché au chargeur pendant 4 heures environ.
- ◆ Le témoin de charge (5b) est allumé pendant la charge.

Instructions pour l'utilisation

Interrupteur à gâchette et bouton d'inversion du sens de rotation (Fig. B, C)

- ◆ La perceuse est allumée et éteinte en enfonçant et en relâchant l'interrupteur à gâchette (1). Plus la gâchette est enfoncée, plus la perceuse tourne vite.
- ◆ Un bouton de sélection du sens de rotation (2) sert à choisir le sens de rotation de l'outil mais il sert aussi de bouton de verrouillage.
- ◆ Pour sélectionner le sens de rotation avant, relâchez l'interrupteur à gâchette et enfoncez le bouton de sélection du sens de rotation vers la gauche.
- ◆ Pour choisir le sens de rotation inverse, enfoncez le bouton de sélection du sens de rotation dans l'autre sens.
- ◆ Pour verrouiller l'outil, placez le curseur de sélection du sens de rotation au centre.

Remarque : La position centrale du bouton de commande permet de verrouiller l'outil à l'arrêt. Avant de changer la position du bouton de sélection, veillez à bien relâcher la gâchette.

Serrage (figure D)

Cet outil est équipé d'une bague de réglage du couple (3) qui permet de sélectionner le mode de fonctionnement et de définir le couple pour le serrage des vis. Les grandes vis et les matériaux durs nécessitent un couple plus élevé que les petites vis et les matériaux tendres.

- ◆ Pour percer, placez la bague sur la position du symbole pour le perçage 1
- ◆ Pour visser, réglez la bague sur la position voulue. Si vous ne savez pas quel réglage choisir, procédez comme suit :
- ◆ Réglez le collier au couple le plus faible.
- ◆ Serrez la première vis.
- ◆ Si l'embrayage cliquette avant d'avoir atteint le résultat voulu, augmentez le réglage de la bague et continuez à serrer la vis. Répétez l'opération jusqu'à avoir atteint le bon réglage. Utilisez ce réglage pour les vis restantes.

Mandrin sans clé (Fig. E)

Avertissement ! Avant de retirer ou d'installer un accessoire, assurez-vous que le bouton de verrouillage est enclenché afin d'éviter l'activation de l'interrupteur.

Pour insérer une mèche ou un autre accessoire :

- ◆ Tenez la partie arrière du mandrin (8) d'une main et utilisez l'autre main pour tourner la partie avant (9) dans le sens inverse des aiguilles d'une montre, vue depuis l'extrémité du mandrin.
- ◆ Insérez complètement la mèche ou l'accessoire dans le mandrin et serrez parfaitement en tenant la partie arrière du mandrin et en tournant la partie avant dans le sens des aiguilles d'une montre, vue depuis l'extrémité du mandrin.

Avertissement ! Ne tentez pas de fixer les mèches (ou tout autre accessoire) en tenant la partie avant du mandrin et en mettant l'outil en marche. Cela pourrait endommager le mandrin et provoquer des blessures.

Système de transmission à double plage (Fig. F)

Le système de transmission à double plage de votre perceuse vous permet de changer de vitesse pour plus de polyvalence. Pour sélectionner la vitesse lente avec un couple élevé (position 1), éteignez l'outil et attendez qu'il s'arrête. Faites glisser le sélecteur de vitesse vers l'arrière (6) loin du mandrin.

Pour sélectionner une vitesse rapide et un couple faible (position 2), éteignez l'outil et attendez qu'il s'arrête.

Faites glisser le sélecteur de vitesse vers l'avant (vers le mandrin).

Remarque : Si vous rencontrez des problèmes pour changer la vitesse, veillez à ce que le bouton du système de transmission à double plage soit bien poussé complètement vers l'avant ou complètement vers l'arrière.

Percer/bisser (Fig. C)

- ◆ Sélectionnez le sens de rotation à l'aide du curseur de sélection du sens de rotation avant/arrière (2).
- ◆ Pour mettre l'outil en marche, appuyez sur l'interrupteur (1). La vitesse de l'outil dépend du niveau d'enfoncement de l'interrupteur.
- ◆ Pour arrêter l'outil, relâchez l'interrupteur.

Conseils pour une utilisation optimale

Percer

- ◆ N'utilisez que des mèches bien aiguisées.
- ◆ Soutenez et fixez l'ouvrage correctement, comme indiqué dans les consignes de sécurité.
- ◆ Utilisez les équipements de protection nécessaires appropriés, tels que mentionnés dans les consignes de sécurité.

- ◆ Sécurisez et entretenez la zone de travail correctement, comme indiqué dans les consignes de sécurité.
- ◆ Commencez par utiliser la perceuse très lentement, avec peu de pression, jusqu'à ce que le trou soit suffisamment formé pour que la mèche n'en sorte plus.
- ◆ Appliquez une pression perpendiculaire sur la mèche. Exercez suffisamment de pression pour que la mèche avance, mais ne poussez pas de manière excessive afin d'éviter que le moteur ne cale ou que la mèche ne dévie.
- ◆ Maintenez fermement la perceuse avec les deux mains pendant le mouvement.
- ◆ N'ACTIONNEZ PAS LA GÂCHETTE D'UNE PERCEUSE QUI A CALÉ POUR TENTER DE LA DÉMARRER. VOUS POURRIEZ ENDOMMAGER LA PERCEUSE
- ◆ Évitez les calages pendant les percées en réduisant la pression et en perçant doucement la dernière partie du trou.
- ◆ Laissez le moteur tourner en sortant la mèche du trou. Cela permet d'éviter qu'elle se coince.
- ◆ Assurez-vous que l'interrupteur allume et éteint bien la perceuse correctement.

Dépannage

Problème	Cause possible	Solution possible
La machine ne démarre pas.	La batterie n'est pas chargée.	Vérifiez si bloc-batterie a besoin d'être rechargé
Le bloc-batterie ne se recharge pas.	Le chargeur n'est pas branché. La température ambiante est trop chaude ou trop froide.	Branchez le chargeur dans une prise murale qui fonctionne. Déplacez le chargeur dans un endroit où la température ambiante est supérieure à 40°F (4,5°C) ou inférieure à 105°F (+40,5°C)
La machine s'éteint brusquement.	La batterie a atteint sa limite thermique maximum. Déchargée. (Afin de maximiser la durée de vie de la batterie, elle a été conçue pour que l'outil s'arrête brusquement quand elle est vide	Laissez la batterie refroidir. Placez-la dans le chargeur et laissez-la se recharger.

Maintenance

Votre outil BLACK+DECKER a été conçu pour fonctionner longtemps avec un minimum d'entretien. Le fonctionnement continu et satisfaisant de l'outil dépend de son bon entretien et de son nettoyage régulier.

Votre chargeur ne nécessite aucun entretien particulier, à l'exception d'un nettoyage régulier.

Avertissement ! Avant toute opération de nettoyage ou de maintenance sur l'outil, débranchez le chargeur.

- ◆ Nettoyez régulièrement les orifices d'aération de votre outil à l'aide d'une brosse souple ou d'un chiffon sec.
- ◆ Nettoyez régulièrement le bloc-moteur à l'aide d'un chiffon humide. N'utilisez pas de détergents abrasifs ou à base de solvants.

Protection de l'environnement



Tri sélectif. Les produits et piles/batteries marqués de ce symbole ne doivent pas être jetés avec les déchets ménagers.

Les produits et les piles/batteries contiennent des matières qui peuvent être récupérées et recyclées afin de réduire la demande en matières premières.

Veillez à recycler les produits électriques et les piles/batteries conformément aux prescriptions locales en vigueur.

Plus d'informations sont disponibles sur le site www.2helpU.com

Percer du bois

Le bois peut être percé avec les mêmes mèches hélicoïdales utilisées pour le métal ou avec des mèches plates. Ces mèches doivent être aiguisées et fréquemment sorties du trou pendant le perçage afin de supprimer les copeaux des cannelures.

Percer du métal

Utilisez un lubrifiant de coupe pour percer les métaux. La fonte et le laiton doivent en revanche être percés à sec. Les lubrifiants de coupe qui fonctionnent le mieux sont les huiles de coupe sulfurées ou le saindoux

Percer la pierre

Pour percer de la maçonnerie, réglez la bague (3) sur la position Perçage à percussion en alignant le symbole avec le repère.

Déplacez le sélecteur de vitesse (6) vers l'avant de l'outil (2ème vitesse).

Vissage/Dévisage

- ◆ Choisissez toujours un embout de tournevis de type et de taille appropriés.
- ◆ Si les vis sont difficiles à visser, appliquez une petite quantité de liquide vaisselle ou de savon pour la lubrifier.
- ◆ Tenez toujours l'outil et l'embout de tournevis dans l'alignement de la vis.

Caractéristiques techniques

REVHD12C H1		
Tension	V_{CC}	12
Vitesse à vide	min^{-1}	0-350 / 0-1350 /min (TR/MIN)
Couple maxi	Nm	17,5/40
Capacité du mandrin	mm	1-10
Capacité de perçage maxi		
Acier/bois/matériaux de maçonnerie	mm	10 / 25 / 10
Poids	kg	1,0

Batterie intégrée		
Type de batterie		Li-Ion
Intensité Ah		1,5

Chargeur S010*1400040		
Tension d'entrée	V_{CA}	230
Tension de sortie	V_{CC}	10,8
Courant	mA	400mA
Durée de charge approx.	h	4

Niveau de pression sonore selon la norme EN 62841 :	
Pression sonore (L_{pA})	84, incertitude (K) 5 dB(A)
Puissance sonore (L_{WA})	95 dB(A), incertitude (K) 5 dB(A)

Valeurs totales des vibrations (somme vectorielle triaxiale) selon la norme EN 62841 :	
Percer le métal (a_h)	0,9 m/s^2 , incertitude (K) 1,5 m/s^2
Martelage dans le béton (a_h)	17,1 m/s^2 , incertitude (K) 1,5 m/s^2

Déclaration de conformité CE

DIRECTIVES MACHINES



Perceuse à chocs REVHD12C

Black & Decker déclare que les produits décrits dans les "Caractéristiques techniques" sont en conformité avec : EN62841-1:2015, EN62841-2-1:2018+A11:2019.

Ces produits sont également conformes aux Directives 2006/42/CE, 2014/30/UE et 2011/65/UE. Pour obtenir plus de précisions, prenez contact avec Black & Decker à l'adresse qui suit ou consultez la dernière page de la présente notice.

Le soussigné est responsable de la compilation du dossier technique et il fait cette déclaration au nom de

Black & Decker .

Patrick Diepenbach

Patrick Diepenbach
General Manager, Benelux
Black and Decker,
Egide Walschaertsstraat 14-18
2800 Mechelen, Belgium
30/03/2022

Garantie

Black & Decker est sûr de la qualité de ses produits et offre une garantie de 24 mois à ses clients, à partir de la date d'achat.

Cette garantie s'ajoute à vos droits légaux auxquels elle ne porte aucunement préjudice.

Cette garantie est valable au sein des territoires des états membres de l'Union européenne, de la zone européenne de libre-échange et du Royaume-Uni.

Pour prétendre à la garantie, la réclamation doit être en conformité avec les conditions générales de Black & Decker et vous devez fournir une preuve d'achat au vendeur ou au réparateur agréé.

Les conditions générales de la garantie de 2 ans Black & Decker ainsi que l'adresse du réparateur agréé le plus proche sont disponibles sur le site Internet www.2helpU.com ou en contactant votre agence Black & Decker locale à l'adresse indiquée dans ce manuel.

Veillez consulter notre site Internet www.blackanddecker.co.uk pour enregistrer votre nouveau produit Black & Decker et pour être tenu informé des nouveaux produits et offres spéciales.

Uso previsto

Il trapano/avvitatore a impulsi BLACK+DECKER™ REVHD12C è stato progettato per avvitare e per trapanare legno, metallo e muratura. Questo utensile è destinato esclusivamente all'uso privato.

Istruzioni di sicurezza

Avvertenze di sicurezza generali per gli elettro utensili



Avvertenza! Leggere tutte le avvertenze di sicurezza, le istruzioni, le illustrazioni e

le specifiche fornite con l'elettro utensile. La mancata osservanza delle avvertenze e delle istruzioni seguenti può dar luogo a scosse elettriche, incendio e/o lesioni personali gravi.

Conservare tutte le avvertenze e le istruzioni per riferimenti futuri. Il termine "elettro utensile" utilizzato in tutte le avvertenze elencate di seguito fa riferimento sia agli utensili alimentati tramite una rete elettrica (con cavo) che agli utensili elettrici a batteria (senza cavo).

1. Sicurezza dell'area di lavoro

- a. **Mantenere pulita e bene illuminata l'area di lavoro.** Gli ambienti disordinati o scarsamente illuminati favoriscono gli incidenti.
- b. **Evitare di usare gli elettro utensili in ambienti esposti a rischio di esplosione, ad esempio in presenza di liquidi, gas o polveri infiammabili.** Gli elettro utensili generano scintille che potrebbero incendiare polveri o fumi.
- c. **Durante l'uso di un elettro utensile, tenere lontani i bambini e le altre persone presenti.** Eventuali distrazioni possono provocare la perdita di controllo.

2. Sicurezza elettrica

- a. **Le spine dell'elettro utensile devono essere adatte alla presa di corrente. Non modificare la spina in alcun modo. Non utilizzare spine con adattatore con un elettro utensile dotato di messa a terra.** Per ridurre il rischio di scosse elettriche evitare di modificare le spine e utilizzare sempre le prese di corrente appropriate.
- b. **Evitare il contatto fisico con superfici collegate a terra, come tubi, radiatori, forni e frigoriferi.** Se il corpo dell'utilizzatore è collegato a terra, il rischio di scosse elettriche aumenta.
- c. **Non esporre gli elettro utensili alla pioggia o all'umidità.** Se dovesse penetrare dell'acqua all'interno dell'elettro utensile, il rischio di scossa elettrica aumenta.
- d. **Non utilizzare il cavo di alimentazione in modo improprio. Non spostare, tirare o scollegare mai l'elettro utensile dalla presa di corrente tirandolo dal cavo di alimentazione.**

Tenere il cavo di alimentazione lontano da fonti di calore, olio, bordi taglienti o parti in movimento. Se il cavo di alimentazione è danneggiato o impigliato, il rischio di scosse elettriche aumenta.

- e. **Se l'elettro utensile viene utilizzato all'aperto, usare esclusivamente prolunghie omologate per l'impiego all'esterno.** L'uso di un cavo di alimentazione idoneo per esterni riduce il rischio di scossa elettrica.
 - f. **Se non è possibile evitare di utilizzare un elettro utensile in una zona umida, collegarsi a una rete elettrica protetta da un interruttore differenziale salvavita (RCD).** L'uso di un RCD riduce il rischio di scosse elettriche.
- #### 3. Sicurezza personale
- a. **È importante concentrarsi su ciò che si sta facendo e maneggiare con giudizio l'elettro utensile. Non utilizzare l'elettro utensile quando si è stanchi o sotto l'effetto di sostanze stupefacenti, alcool o medicinali.** Un solo attimo di distrazione durante l'uso dell'elettro utensile potrebbe provocare gravi lesioni alle persone.
 - b. **Indossare dispositivi di protezione individuale. Indossare sempre occhiali di sicurezza.** L'uso di dispositivi di protezione, quali mascherine antipolvere, scarpe antinfortunistiche antiscivolo, elmetti di sicurezza o protezioni per l'udito, in condizioni opportune consente di ridurre le lesioni personali.
 - c. **Prevenire l'avvio involontario. Accertarsi che l'interruttore sia nella posizione di spegnimento, prima di collegare l'elettro utensile alla rete elettrica e/o alla batteria, di prenderlo in mano o di trasportarlo.** Per non esporsi al rischio di incidenti, non trasportare l'elettro utensile tenendo le dita sull'interruttore e non collegarlo a una fonte di alimentazione elettrica con l'interruttore in posizione di accensione.
 - d. **Prima di accendere l'elettro utensile, rimuovere eventuali chiavi o utensili di regolazione.** Un utensile di regolazione o una chiave fissati a una parte rotante dell'elettro utensile possono provocare lesioni personali.
 - e. **Non sbilanciarsi. Mantenere sempre un appoggio e un equilibrio adeguati.** In tal modo è possibile mantenere un migliore controllo dell'elettro utensile nelle situazioni impreviste.
 - f. **Vestirsi in modo adeguato. Non indossare abiti larghi o gioielli. Tenere i capelli, gli indumenti e i guanti lontano dalle parti mobili.** Abiti non aderenti, gioielli o capelli lunghi possono impigliarsi nelle parti in movimento.
 - g. **Se gli elettro utensili sono provvisti di attacchi per il collegamento di dispositivi di aspirazione o di raccolta della polvere, assicurarsi che questi ultimi siano installati e utilizzati correttamente.**

L'impiego di dispositivi di aspirazione delle polveri può ridurre i pericoli legati alle stesse.

- h. Non lasciare che la familiarità acquisita con l'uso frequente degli elettrodomestici induca a cedere alla tentazione di ignorare i principi di utilizzo sicuro degli stessi.** Un'azione imprudente potrebbe provocare lesioni gravi alle persone in una frazione di secondo.
- 4. Uso e cura dell'elettrodomestico**
- a. Non forzare l'elettrodomestico. Utilizzare l'elettrodomestico corretto per il lavoro da eseguire.** L'elettrodomestico funziona meglio e in modo più sicuro, se utilizzato alla velocità per cui è stato progettato.
- b. Non usare l'elettrodomestico se l'interruttore di accensione/spengimento non funziona.** Qualsiasi elettrodomestico che non possa essere controllato tramite l'interruttore è pericoloso e deve essere riparato.
- c. Scollegare la spina dalla presa di corrente e/o il pacco batteria dall'elettrodomestico, prima di effettuare qualsiasi tipo di regolazione, cambiare gli accessori o ripararlo.** Queste misure di sicurezza preventive riducono il rischio di azionare accidentalmente l'elettrodomestico.
- d. Quando non vengono usati, gli elettrodomestici devono essere custoditi fuori dalla portata dei bambini. Non consentire l'uso dell'elettrodomestico a persone inesperte o che non abbiano letto questo manuale di istruzioni.**
Gli elettrodomestici sono pericolosi in mano a persone inesperte.
- e. Eseguire la manutenzione degli elettrodomestici e degli accessori. Verificare che le parti mobili siano correttamente allineate e non inceppate, che non vi siano componenti rotti e che non sussistano altre condizioni che possano compromettere il funzionamento dell'elettrodomestico. Se l'elettrodomestico è danneggiato, farlo riparare prima dell'uso.**
Molti incidenti sono provocati da elettrodomestici non sottoposti a una corretta manutenzione.
- f. Mantenere affilati e puliti gli utensili da taglio.** La manutenzione corretta degli utensili da taglio con bordi affilati riduce le probabilità di inceppamento e ne facilita il controllo.
- g. Utilizzare l'elettrodomestico, gli accessori, le punte, ecc. in conformità a queste istruzioni, tenendo conto delle condizioni operative e del lavoro da eseguire.** L'utilizzo dell'elettrodomestico per impieghi diversi da quelli previsti può dare luogo a situazioni di pericolo.
- h. Mantenere le impugnature e le superfici di presa asciutte, pulite e senza tracce di olio o grasso.**
Impugnature e superfici di presa scivolose non consentono di maneggiare e controllare in modo sicuro l'elettrodomestico nel caso di imprevisti.

5. Uso e cura della batteria dell'elettrodomestico

- a. Ricaricare la batteria esclusivamente con il caricabatterie specificato dal produttore.** Un caricabatterie adatto a un determinato tipo di pacco batteria può provocare il rischio di incendio se utilizzato con un pacco batteria diverso.
- b. Usare gli elettrodomestici esclusivamente con le batterie specificamente progettate per gli stessi.** L'impiego di pacchi batteria di tipo diverso potrebbe comportare il rischio di lesioni alle persone e incendio.
- c. Se il pacco batteria non è in uso, tenerlo lontano da oggetti di metallo come fermagli, monete, chiavi, chiodi, viti o altri piccoli oggetti metallici che possono provocare un contatto dei terminali.** Se i morsetti della batteria vengono cortocircuitati potrebbero provocare ustioni o un incendio.
- d. In condizioni di sovraccarico, dalla batteria potrebbe fuoriuscire del liquido: evitare di toccarla.** In caso di contatto accidentale, sciacquare la pelle con abbondante acqua. Se il liquido dovesse entrare a contatto con gli occhi, rivolgersi anche a un medico. Il liquido che fuoriesce dalla batteria può causare irritazioni o ustioni.
- e. Non utilizzare un pacco batteria o un elettrodomestico se danneggiati o modificati.** Le batterie danneggiate o modificate potrebbero manifestare un comportamento imprevedibile, con la possibilità di causare un'esplosione o un incendio.
- f. Non esporre una batteria o un elettrodomestico al fuoco o a temperature elevate.** L'esposizione al fuoco o a una temperatura superiore a 130 °C potrebbe provocare un'esplosione.

Nota: 130 °C di temperatura corrispondono a una temperatura di 265 °F.

- g. Seguire tutte le istruzioni per la carica e non caricare il pacco batteria o l'elettrodomestico a una temperatura che non rientri nell'intervallo di valori specificato nelle istruzioni.**
Una ricarica effettuata in maniera scorretta o a una temperatura che non rientra nell'intervallo di valori specificato, potrebbe danneggiare la batteria aumentando il rischio d'incendio.
- 6. Assistenza**
- a. Fare riparare l'elettrodomestico esclusivamente da personale qualificato, utilizzando esclusivamente pezzi di ricambio originali.** In questo modo viene garantita la sicurezza dell'elettrodomestico.
- b. Non riparare i pacchi batteria danneggiati.** Gli interventi di riparazione sui pacchi batteria devono essere eseguiti dal produttore o da fornitori di assistenza autorizzati.

Istruzioni di sicurezza per tutte le operazioni

- ◆ **Indossare sempre protezioni per l'udito quanto si eseguono lavori di foratura a percussione.** L'esposizione al rumore può causare la perdita dell'udito.
- ◆ **Sostenere l'apparato con supporti aventi superfici isolanti quando si eseguono lavorazioni in cui l'accessorio di taglio potrebbe toccare cavi elettrici nascosti.** Se un accessorio di taglio dovesse venire a contatto con un cavo sotto tensione trasmetterebbe la corrente elettrica anche alle parti metalliche esposte dell'elettrotensile, con il pericolo di provocare la folgorazione dell'utilizzatore.

Avvertenze di sicurezza aggiuntive per gli elettrotensili



Avvertenza! Avvertenze di sicurezza aggiuntive per trapani/avvitatori a impulsi .

- ◆ Usare morse o altri metodi pratici per fissare e bloccare il pezzo in lavorazione a una piattaforma stabile. Tenere il pezzo in lavorazione con le mani o contro il corpo non ne assicura la stabilità e potrebbe comportare la perdita di controllo.
- ◆ Durante l'uso l'elettrotensile e gli accessori possono scaldarsi. Per maneggiarli indossare dei guanti se si devono eseguire lavori che generano calore, come la foratura di metalli.
- ◆ Le prese d'aria spesso coprono le parti mobili e devono essere evitate. Indumenti larghi, gioielli o capelli lunghi possono rimanere impigliati nelle parti mobili.
- ◆ Indossare occhiali di sicurezza o altre protezioni per gli occhi. La foratura con l'uso del trapano può emettere schegge. Tali schegge possono causare danni permanenti alla vista.
- ◆ Indossare sempre protezioni per l'udito quanto si eseguono lavori di foratura a percussione. L'esposizione al rumore può causare la perdita dell'udito.
- ◆ Usare l'impugnatura ausiliaria/le impugnature ausiliarie di cui è provvisto l'elettrotensile. La perdita di controllo può causare lesioni a persone.
- ◆ Non utilizzare questo utensile per periodi prolungati. La vibrazione provocata dal funzionamento dell'utensile può essere dannosa per le mani e le braccia dell'operatore. Servirsi di guanti per fornire un supporto in più e limitare l'esposizione prendendo delle pause frequenti.

Istruzioni di sicurezza durante l'utilizzo di punte lunghe

- ◆ **Non azionare mai il trapano/avvitatore a una velocità superiore alla velocità massima nominale della punta.** A velocità più elevate, è probabile che la punta si pieghi se lasciata ruotare liberamente senza toccare il pezzo in lavorazione, causando lesioni personali.

- ◆ **Iniziare sempre a eseguire un foro a bassa velocità e con la punta a contatto con il pezzo in lavorazione.** A velocità più elevate, è probabile che la punta si pieghi se lasciata ruotare liberamente senza toccare il pezzo in lavorazione, causando lesioni personali.
- ◆ **Applicare pressione solo in linea diretta con la punta (non esercitare una pressione eccessiva).** Le punte possono piegarsi causando la rottura o la perdita del controllo, con conseguenti lesioni personali.

Sicurezza altrui

- ◆ Questo elettrotensile non è stato progettato per impiego da parte di persone (o bambini) portatrici di handicap fisici, psichici o sensoriali o che non abbiano la dovuta esperienza o conoscenza, a meno che non siano seguite o opportunamente istruite sul suo impiego da parte di una persona responsabile della loro sicurezza.
- ◆ Sorvegliare i bambini per assicurarsi che non giochino con l'apparecchio.

Rischi residui

L'utilizzo dell'elettrotensile può comportare rischi residui non necessariamente riportati nelle presenti avvertenze di sicurezza. Tali rischi possono sorgere a seguito di un uso prolungato o improprio, ecc.

Malgrado il rispetto delle norme di sicurezza pertinenti e l'implementazione di dispositivi di sicurezza, alcuni rischi residui non possono essere evitati. Tali rischi includono:

- ◆ lesioni personali causate dal contatto con parti rotanti/in movimento;
- ◆ lesioni personali subite durante la sostituzione di parti, lame o accessori;
- ◆ lesioni personali causate dall'impiego prolungato di un elettrotensile (quando si utilizza qualsiasi elettrotensile per lunghi periodi, accertarsi di fare regolarmente delle pause).
- ◆ menomazioni uditive;
- ◆ rischi per la salute causati dall'inalazione della polvere generata dall'utilizzo dell'apparecchio (ad esempio, quando si lavora con il legno, in modo particolare quello di quercia, faggio o l'MDF).

Vibrazione

I valori di emissione di vibrazione dichiarati, indicati nella sezione "Dati tecnici" e nella Dichiarazione di conformità, sono stati misurati in base al metodo di prova standard previsto dalla normativa EN62841 e possono essere usati come parametri di confronto tra due utensili.

Il valore di emissione di vibrazione dichiarato può anche essere usato per una valutazione preliminare dell'esposizione.

Avvertenza! Il valore di emissione di vibrazioni durante l'impiego effettivo dell'elettrotensile può differire da quello dichiarato a seconda delle modalità d'uso.

Il livello di vibrazione potrebbe aumentare oltre quello dichiarato.

Quando si valuta l'esposizione a vibrazioni per determinare le misure di sicurezza richieste dalla Direttiva 2002/44/CE destinata alla protezione delle persone che utilizzano regolarmente elettrotensili per lo svolgimento delle proprie mansioni, è necessario prendere in considerazione le condizioni effettive di utilizzo e il modo in cui l'elettrotensile viene usato, oltre che tenere conto di tutte le componenti del ciclo operativo, vale a dire i periodi in cui l'elettrotensile rimane spento, quelli in cui è acceso ma fermo e quelli in cui viene effettivamente utilizzato.

Etichette sull'elettrotensile

Sull'elettrotensile compaiono i seguenti pittogrammi, insieme al codice data:



Avvertenza! Per ridurre il rischio di lesioni personali, leggere attentamente il manuale d'istruzioni.



Non fissare la spia di funzionamento

Istruzioni di sicurezza importanti per tutti gli utensili con batteria integrata

Avvertenza! Leggere tutte le avvertenze di sicurezza, le istruzioni e i simboli di attenzione riguardanti la batteria, il caricabatterie e il prodotto. La mancata osservanza delle avvertenze e delle istruzioni può dar luogo a scosse elettriche, incendi e/o lesioni personali gravi.

- ◆ Non inserire mai con la forza uno dei connettori del cavo di carica nella presa dell'utensile.
- ◆ NON modificare in alcun modo il connettore di un caricabatterie non compatibile per inserirlo nella presa dell'utensile, perché la batteria potrebbe rompersi e provocare gravi lesioni personali.
- ◆ NON ricaricare o utilizzare la batteria in ambienti esposti al rischio di esplosione, come ad esempio in presenza di liquidi, gas o polveri infiammabili.
L'inserimento o la rimozione del connettore del caricabatterie dalla presa dell'utensile potrebbe incendiare tali polveri o fumi.
- ◆ Ricaricare la batteria esclusivamente con il cavo di carica fornito e un alimentatore di classe 2 adatto.
- ◆ NON spruzzare o immergere in acqua.
- ◆ EVITARE che acqua o altri liquidi penetrino all'interno dell'utensile.
- ◆ NON custodire né utilizzare l'utensile in luoghi in cui la temperatura raggiunga o superi 40 °C (104 °F). come all'esterno di capannoni o strutture metalliche d'estate. Per una conservazione ottimale dell'utensile, riporlo in un luogo fresco e asciutto.

- ◆ non conservare le batterie all'interno di un utensile con l'interruttore di accensione/spengimento bloccato nella posizione di accensione. Non bloccare mai l'interruttore di accensione/spengimento nella posizione di accensione con del nastro adesivo.
- ◆ NON bruciare l'utensile anche nel caso in cui sia seriamente danneggiato o completamente usurato. La batteria può esplodere in un incendio. La combustione delle batterie agli ioni di litio genera fumi e materiali tossici.
- ◆ Se il contenuto della batteria viene a contatto con la pelle, lavare immediatamente con acqua e sapone delicato. Se il liquido della batteria dovesse raggiungere gli occhi, sciacquare con acqua ad occhi aperti per 15 minuti o fino a quando cesserà l'irritazione. Se dovesse essere necessario ricorrere a cure mediche, l'elettrolito della batteria è composto da una miscela di carbonati organici liquidi e di sali di litio.
- ◆ Il contenuto delle celle della batteria aperta può causare irritazione delle vie respiratorie. Far circolare aria fresca. Se i sintomi persistono, consultare un medico.
- ◆ Il liquido della batteria può essere infiammabile se esposto a una scintilla o fiamma.
- ◆ Non tentare mai di aprire l'utensile per alcun motivo. Se l'utensile è crepato o danneggiato, non ricaricarlo. Non schiacciare, far cadere o danneggiare l'utensile. Non utilizzare un utensile o un caricabatterie che abbiano subito un forte colpo, siano caduti o siano stati travolti o danneggiati in qualsiasi modo (per esempio, forati con un chiodo, battuti con un martello o calpestati). Gli utensili danneggiati devono essere inviati al centro assistenza per essere riciclati.

Istruzioni per la conservazione

Custodire l'utensile in un luogo fresco e asciutto, non illuminato direttamente dal sole e protetto da temperature eccessivamente calde o fredde.

Conservare l'utensile con la batteria completamente carica, scollegato dal caricabatterie.

Trasporto

Nota: gli utensili con batteria agli ioni di litio integrata non possono essere trasportati nel bagaglio da stiva degli aerei e possono essere inseriti nel bagaglio a mano, purché opportunamente protetti dai cortocircuiti.

Istruzioni di sicurezza importanti per la ricarica di tutte le batterie integrate negli utensili

Avvertenza! Leggere tutte le avvertenze di sicurezza, le istruzioni e i simboli di attenzione riguardanti la batteria, il cavo di ricarica e il prodotto. La mancata osservanza delle avvertenze e delle istruzioni può dar luogo a scosse elettriche, incendi e/o lesioni personali gravi.

- ◆ Il cavo di ricarica in dotazione non è destinato ad usi diversi dalla ricarica di batterie di utensili BLACK+DECKER dotati di prese di ricarica per micro connettori. La carica di altri tipi di utensili può causare il surriscaldamento e lo scoppio delle batterie, con conseguenti lesioni personali, danni alle cose, incendi, folgorazione o elettrocuzione.
- ◆ NON esporre il cavo di ricarica ad acqua, pioggia o neve.
- ◆ Per scollegare il cavo di ricarica, dalla presa tirare i connettori e non il cavo. In tal modo si riduce il rischio che si danneggi entrambi.
- ◆ Assicurarsi che il cavo sia posizionato in modo che non venga calpestato, non causi intralcio e non sia diversamente soggetto a danni o sollecitazioni.
- ◆ Quando si ricarica l'utensile all'aperto, scegliere sempre un luogo asciutto.
- ◆ NON utilizzare il cavo di ricarica se i fili o i connettori sono danneggiati. Farli sostituire immediatamente.
- ◆ Materiali estranei di natura conduttiva come, a titolo esemplificativo ma non esaustivo, polvere di smerigliatura, schegge metalliche, lana di acciaio, lamiere di alluminio o qualsiasi accumulo di particelle metalliche, dovrebbero essere mantenuti lontani dai connettori e micro connettori di ricarica e dalla presa di ricarica.
- ◆ Scollegare sempre il cavo di ricarica dalla fonte di alimentazione quando l'utensile non è collegato allo stesso.

Sicurezza elettrica

Il doppio isolamento di cui è provvisto il caricabatterie rende superfluo il filo di terra. Verificare sempre che la tensione di rete corrisponda a quella indicata sulla targhetta dei valori nominali. Non tentare mai di sostituire il caricabatterie con una spina elettrica tradizionale.



- ◆ Per prevenire pericoli, i cavi di alimentazione danneggiati devono essere sostituiti dal produttore o da un centro di assistenza BLACK+DECKER autorizzato.

Avvertenza! Non tentare mai di sostituire il caricabatterie con una spina elettrica tradizionale.

Caratteristiche

Questo utensile presenta alcune o tutte le seguenti caratteristiche:

1. Interruttore di azionamento a velocità variabile
2. cursore di controllo del senso di rotazione
3. Collare per regolazione coppia di serraggio
4. Mandrino portapunta autoserrante
5. Caricabatterie
- 5a. Presa di ricarica
- 5b. Indicatore di carica (non visibile fino al collegamento)

6. Selettore marce a due velocità
7. Torcia a LED

Carica della batteria (Fig. A)

La batteria integrata deve essere caricata prima dell'impiego iniziale e quando non eroga una potenza sufficiente per svolgere lavori che prima era possibile eseguire facilmente.

Durante la carica, la batteria potrebbe riscaldarsi. Si tratta di un fatto normale che non indica la presenza di un problema.

Avvertenza! Non caricare la batteria a temperature ambientali inferiori a 10 °C o superiori a 40 °C. La temperatura di carica raccomandata è di circa 24 °C.

Nota: il caricabatterie non carica una batteria se la temperatura delle celle è inferiore a 10 °C o superiore a 40 °C circa.

La batteria integrata deve essere lasciata nel caricabatterie, che comincerà a caricarla automaticamente quando la temperatura delle celle aumenta o diminuisce.

- ◆ Inserire il connettore di carica (5) nella porta di carica (5a).
- ◆ Collegare il connettore di carica (5).
- ◆ Lasciare l'utensile collegato al caricabatterie per circa 4 ore.
- ◆ Durante la carica la spia di carica in corso (5b) si accende.

Istruzioni operative

Grilletto di azionamento e cursore di controllo della rotazione (fig. B, C)


- ◆ Il trapano viene acceso e spento tirando e rilasciando l'interruttore a grilletto (1). Maggiore è la pressione esercitata sul grilletto, maggiore è la velocità di rotazione del trapano/avvitatore.
- ◆ Un pulsante di comando avanti/indietro (2) determina la direzione dell'elettrotutensile e funge anche da pulsante di bloccaggio.
- ◆ Per selezionare la rotazione in senso orario rilasciare il grilletto di azionamento e spostare il cursore di controllo del senso di rotazione verso sinistra.
- ◆ Per selezionare la rotazione inversa, spostare il cursore di controllo della rotazione avanti/indietro nella direzione opposta.
- ◆ Per bloccare l'elettrotutensile, mettere il cursore di controllo del senso di rotazione in posizione centrale.

Nota: Quando il cursore si trova al centro blocca l'utensile nella posizione di spegnimento. Assicurarsi di avere rilasciato il grilletto prima di cambiare la posizione del cursore di controllo del senso di rotazione.

Controllo coppia (fig. D)

L'elettrotutensile è dotato di un collare per la regolazione della coppia (3) che consente di selezionare la modalità operativa e di impostare la coppia di avvitamento delle viti.

Le viti di grandi dimensioni e i pezzi in lavorazione di materiale più duro richiedono una coppia maggiore rispetto alle viti più piccole e ai pezzi di materiale più tenero.

- ◆ Per eseguire fori regolare il collare sul simbolo del trapano 
- ◆ Per l'avvitatura, regolarlo sulla taratura desiderata. Se non si sa ancora quale impostazione usare, procedere come descritto di seguito:
 - ◆ Regolare il collare sulla taratura di coppia più bassa.
 - ◆ Serrare la prima vite.
 - ◆ Se la frizione scatta prima di aver ottenuto il risultato desiderato, aumentare la taratura del collare e continuare ad avvitare la vite. Ripetere fino a ottenere l'impostazione corretta. Usare questa impostazione per le viti rimanenti.

Mandrino senza chiave (fig. E)

Avvertenza! Verificare che il pulsante di blocco di sicurezza sia attivato per evitare l'azionamento dell'interruttore mentre si inseriscono o si estraggono gli accessori.

Per infilare una punta o altri accessori:

- ◆ Afferrare la metà posteriore del mandrino (8) con una mano e usare l'altra per ruotare la metà anteriore (9) in direzione antioraria, vista dall'estremità con il mandrino.
- ◆ Infilare la punta o un altro accessorio completamente nel mandrino e serrare saldamente tenendo la metà posteriore del mandrino e ruotando la parte anteriore in senso orario come visto dall'estremità del mandrino.

Avvertenza! Non tentare di serrare le punte (o qualsiasi altro accessorio) afferrando la parte anteriore del mandrino portapunta e accendendo l'elettrotensile. Durante il cambio degli accessori, potrebbero verificarsi danni al mandrino e lesioni alle persone.

Selettore marce a due velocità (Fig. F)

La funzione del selettore marce a due velocità del trapano/avvitatore consente di cambiare le marce per una maggiore versatilità. Per selezionare la velocità bassa, con coppia alta (posizione 1), spegnere l'elettrotensile e lasciare che si fermi. Far scorrere il selettore marce (6) indietro (lontano dal mandrino).

Per selezionare la velocità alta, con coppia bassa (posizione 2), spegnere l'elettrotensile e lasciare che si fermi. Far scorrere il pulsante selettore marce verso il mandrino.

Nota: in caso di difficoltà con il cambio delle marce, assicurarsi che il selettore marce a due intervalli sia completamente spinto in avanti o completamente spinto indietro

Trapanatura/avvitamento (fig. C)

- ◆ Selezionare il senso di rotazione (orario o antiorario) utilizzando l'apposito cursore (2).

- ◆ Per accendere l'elettrotensile, premere l'interruttore di accensione (1).

La velocità dell'elettrotensile dipende dalla pressione esercitata sull'interruttore.

- ◆ Per spegnere l'elettrotensile, rilasciare l'interruttore.

Consigli per un utilizzo ottimale

Foratura

- ◆ Utilizzare solamente punte di trapano appuntite.
- ◆ Supportare e fissare il pezzo in lavorazione correttamente, come indicato nelle Istruzioni di sicurezza.
- ◆ Utilizzare i dispositivi di protezione necessari e adeguati, come indicato nelle Istruzioni di sicurezza.
- ◆ Mettere in sicurezza e mantenere l'area di lavoro, come indicato nelle Istruzioni di sicurezza.
- ◆ Far funzionare il trapano molto lentamente, con una leggera pressione, fino a quando il foro è sufficientemente profondo da evitare la fuoriuscita della punta.
- ◆ Esercitare la pressione perpendicolarmente alla punta. Usare una pressione sufficiente a permettere alla punta di eseguire il foro, ma non così eccessiva da far spegnere il motore o da spostare la punta.
- ◆ Tenere saldamente il trapano con due mani per controllarne lo spostamento rotatorio.
- ◆ **NON PREMERE VARIE VOLTE IL GRILLETTO DI AZIONAMENTO DI UN TRAPANO CHE SI È BLOCCATO PER TENTARE DI RIAVVIARLO. IL TRAPANO POTREBBE SUBIRE DANNI**
- ◆ Contenere al massimo la possibilità di arresto iniziale, riducendo la pressione e azionando il trapano a bassa velocità nell'ultima porzione del foro.
- ◆ Tenere acceso il motore mentre si estrae la punta da un foro trapanato. In questo modo si riducono gli inceppamenti.
- ◆ Assicurarsi che l'interruttore accenda e spenga il trapano.

Trapanatura del legno

I fori nel legno possono essere eseguiti con la stessa punta usata per il metallo o con punta a lancia. Le punte devono essere affilate ed estratte frequentemente per eliminare i trucioli dalle scanalature del trapano.

Trapanatura del metallo

Utilizzare un lubrificante da taglio quando si forano metalli. Fanno eccezione la ghisa e l'ottone, che vanno forati a secco. Gli oli da taglio che funzionano meglio di tutto sono l'olio solforato o l'olio di lardo

Trapanatura di murature

Per la foratura di murature, regolare il collare (3) sulla posizione di trapanatura a percussione, allineando il simbolo al contrassegno.

Far scorrere il selettore della velocità (6) verso la parte anteriore dell'elettrotensile (seconda marcia).

Avvitatura

- ◆ Usare sempre la punta di tipo e misura corretti.
- ◆ Se le viti risultano difficili da serrare, provare ad applicare una piccola quantità di liquido detergente o sapone come lubrificante.
- ◆ Tenere sempre il trapano avvitatore e la punta in posizione perpendicolare rispetto alla vite.

Guida alla risoluzione dei problemi

Problema	Possibile causa	Possibile soluzione
L'unità non si avvia.	Batteria scarica.	Controllare i requisiti di carica del pacco batteria
La batteria non si carica.	Il caricabatterie non è collegato a una presa di corrente. Temperatura atmosferica troppo alta o troppo bassa.	Collegare il caricabatteria a una presa di corrente funzionante. Spostare il caricabatteria ad una temperatura dell'aria circostante al di sopra di 4,5 °C o al di sotto di +40,5 °C.
L'elettrotensile si spegne improvvisamente.	La batteria ha raggiunto il limite termico massimo. Carica esaurita. (Per massimizzare la durata della batteria, essa è progettata per spegnersi improvvisamente quando è scarica).	Lasciare che la batteria si raffreddi. Inserirlo nel caricabatterie e lasciarlo caricare.

Manutenzione

Questo elettrotensile BLACK+DECKER è stato progettato per funzionare a lungo con una manutenzione minima.

Prestazioni sempre soddisfacenti dipendono da una cura appropriata e da una pulizia regolare.

Il caricabatterie non richiede alcuna manutenzione, salvo una regolare pulizia.

Avvertenza! Prima di eseguire interventi di manutenzione sull'elettrotensile, scollegare il caricabatterie dalla presa di corrente.

- ◆ Le prese di ventilazione dell'elettrotensile devono essere pulite regolarmente con un pennello morbido o un panno asciutto.
- ◆ L'alloggiamento del motore deve essere pulito periodicamente con un panno umido. Non usare materiali abrasivi o detersivi a base di solventi.

Tutela ambientale



Raccolta differenziata. I prodotti e le batterie contrassegnati con questo simbolo non devono essere smaltiti con i rifiuti domestici normali.

Prodotti e batterie contengono materiali che possono essere recuperati o riciclati, riducendo la domanda di materie prime. Riciclare i prodotti elettrici e le batterie attenendosi alle disposizioni locali vigenti.

Ulteriori informazioni sono disponibili all'indirizzo web www.2helpU.com

Dati tecnici

REVVD12C H1		
Tensione	V _{DC}	12
Velocità a vuoto	min ⁻¹	0-350 / 0-1350 /min (giri/min)
Coppia max.	Nm	17,5/40
Capacità del mandrino	mm	1-10
Capacità di foratura max.		
Acciaio/legno/muratura	mm	10 / 25 / 10
Peso	kg	1,0

Batteria integrata		
Tipo di batteria		Li-Ion
Valore nominale Ah		1,5

S010*1400040		
Tensione in ingresso	V _{CA}	230
Tensione erogata	V _{CC}	10,8
Corrente	mA	400mA
Tempo di carica approssimativo	h	4

Livello di pressione sonora misurato in conformità alla norma EN 62841:	
Pressione sonora (L _{pa})	84, incertezza (K) 5 dB(A)
Potenza sonora (L _{wa})	95 dB(A), incertezza (K) 5 dB(A)

Valori totali di emissione di vibrazioni (somma vettore triassiale) in conformità alla norma EN 62841:	
Trapanatura del metallo (a _h)	0,9 m/s ² , incertezza (K) 1,5 m/s ²
Trapanatura a percussione nel calcestruzzo (a _h)	17,1 m/s ² , incertezza (K) 1,5 m/s ²

Dichiarazione di conformità CE

DIRETTIVA MACCHINE



Trapano/avvitatore a impulsi REVHD12C
Black & Decker dichiara che i prodotti descritti nella sezione
"Dati tecnici" sono conformi alle seguenti norme:
EN62841-1:2015, EN62841-2-1:2018+A11:2019.

Questi prodotti sono conformi alle Direttive 2006/42/
CE, 2014/30/UE e 2011/65/UE. Per ulteriori informazioni,
contattare Black & Decker all seguente indirizzo oppure
consultare l'ultima di copertina del manuale.

Il firmatario è responsabile della compilazione del documento
tecnico e rende questa dichiarazione per conto di

Black & Decker.

Patrick Diepenbach

Patrick Diepenbach
Direttore generale, Benelux
Black and Decker,
Egide Walschaertsstraat 14-18
2800 Mechelen, Belgio
30/03/2022

Garanzia

Black & Decker, certa della qualità dei propri prodotti, offre ai
consumatori una garanzia di 24 mesi dalla data di acquisto.
Il presente certificato di garanzia è complementare ai diritti
legali e non li pregiudica in alcun modo. La garanzia è valida
nei territori degli Stati membri dell'Unione Europea, dell'EFTA
(Associazione europea di libero scambio) e del Regno Unito.
Per attivare la garanzia, la richiesta di intervento e riparazione
in garanzia deve essere effettuata in accordo con i Termini
e condizioni Black&Decker e sarà necessario presentare
la prova di acquisto al venditore o all'agente di riparazione
autorizzato.

I Termini e condizioni della garanzia Black & Decker di 2
anni e la sede del tecnico riparatore autorizzato più vicino
sono consultabili su Internet all'indirizzo www.2helpU.com,
o contattando il proprio ufficio Black & Decker di zona
all'indirizzo indicato in questo manuale.

Visitare il nostro sito www.blackanddecker.it per registrare
il prodotto Black&Decker appena acquistato e ricevere gli
aggiornamenti su nuovi prodotti e offerte speciali.

Bedoeld gebruik

Uw BLACK+DECKER™ REVHD12C-klopboormachine is
ontworpen voor het gebruiken als schroevendraaier en voor
het boren in hout, metaal en metselwerk. Dit gereedschap is
uitsluitend bestemd voor consumentengebruik.

Veiligheidsinstructies

Algemene veiligheidswaarschuwingen voor elektrisch gereedschap



**Waarschuwing! Lees alle
veiligheidswaarschuwingen,
instructies, illustraties en specificaties die bij**

dit gereedschap worden geleverd. Wanneer de volgende
waarschuwingen en voorschriften niet in acht worden
genomen, kan dit een elektrische schok, brand of ernstig
letsel tot gevolg hebben.

Bewaar alle waarschuwingen en instructies als referentiemateriaal.

De hierna gebruikte term 'elektrisch
gereedschap' in alle waarschuwingen die hieronder worden
vermeld, heeft betrekking op elektrisch gereedschap voor
gebruik op netspanning (met netsnoer) of met een accu
(snoerloos).

1. Veilige werkomgeving

- a. **Houd uw werkomgeving schoon en goed verlicht.** Op
rommelige of donkere plekken zullen sneller ongelukken
gebeuren.
- b. **Werk niet met elektrisch gereedschap in een
omgeving met explosiegevaar, zoals in de nabijheid
van brandbare vloeistoffen, gassen of stof.** Elektrisch
gereedschap veroorzaakt vonken die het stof of de
dampen kunnen doen ontbranden.
- c. **Houd kinderen en omstanders tijdens het gebruik van
elektrisch gereedschap op afstand.** Als u wordt afgeleid,
kunt u de controle over het gereedschap verliezen.

2. Elektrische veiligheid

- a. **De netstekker van het elektrisch gereedschap moet in
het stopcontact passen. Pas de stekker nooit op enige
manier aan. Gebruik geen adapterstekkers in
combinatie met geaard elektrisch gereedschap.**
Niet-aangepaste stekkers en passende contactdozen
verminderen het risico van een elektrische schok.
- b. **Vermijd aanraking van het lichaam met geaarde
oppervlakken, bijvoorbeeld buizen, verwarmingen,
fornuizen en koelkasten.** Er bestaat een verhoogd risico
van een elektrische schok als uw lichaam contact heeft
met aarde.
- c. **Stel elektrisch gereedschap niet bloot aan regen en
vocht.** Als er water in een elektrisch gereedschap dringt,
verhoogt dit het risico van een elektrische schok.

- d. **Behandel het snoer voorzichtig. Gebruik het snoer nooit om het elektrisch gereedschap te dragen of naar u toe te trekken, of de stekker uit het stopcontact te halen. Houd het snoer uit de buurt van warmtebronnen, olie, scherpe randen, of bewegende onderdelen.** Beschadigde snoeren of snoeren die in de war zijn geraakt, verhogen het risico van een elektrische schok.
 - e. **Gebruik, wanneer u buitenshuis met elektrisch gereedschap werkt, alleen verlengsnoeren die zijn goedgekeurd voor gebruik buitenshuis.** Het gebruik van een verlengsnoer dat geschikt is voor buiten vermindert het risico van een elektrische schok.
 - f. **Als u met elektrisch gereedschap werkt op een vochtige locatie, gebruik dan een reststroomschakelaar (RCD).** Het gebruik van een aardlekschakelaar vermindert het risico van een elektrische schok.
- 3. Persoonlijke veiligheid**
- a. **Blijf alert, let goed op wat u doet en ga met verstand te werk bij het gebruik van elektrisch gereedschap. Gebruik elektrisch gereedschap niet als u vermoeid bent of als u onder invloed van drugs, alcohol of medicatie bent.** Een moment van onoplettendheid tijdens het werken met elektrisch gereedschap kan leiden tot ernstig persoonlijk letsel.
 - b. **Draag persoonlijke beschermende uitrusting. Draag altijd oogbescherming.** Beschermende uitrusting, zoals een stofmasker, antislip veiligheidsschoenen, een helm, of gehoorbescherming, gebruikt in de juiste omstandigheden, zal het risico op persoonlijk letsel verminderen.
 - c. **Voorkom per ongeluk inschakelen. Controleer, voor u de stekker in het stopcontact steekt en/of de accu plaatst, en voor u het gereedschap oppakt en draagt, dat de schakelaar in de uit-stand staat.** Het dragen van elektrisch gereedschap met uw vinger op de schakelaar of het aanzetten van elektrisch gereedschap waarvan de schakelaar aan staat, kan leiden tot ongelukken.
 - d. **Verwijder stelsleutels of steeksleutels voordat u het elektrisch gereedschap inschakelt.** Een steeksleutel of een inbussleutel in een draaiend deel van het elektrisch gereedschap kan tot persoonlijk letsel leiden.
 - e. **Reik niet buiten uw macht. Blijf altijd stevig en in balans op de grond staan.** Dit geeft u betere controle over het elektrisch gereedschap in onverwachte situaties.
 - f. **Draag geschikte kleding. Draag geen loszittende kleding of sieraden. Houd uw haar, kleding en handschoenen uit de buurt van bewegende onderdelen.** Loszittende kleding, sieraden of lang haar kunnen door bewegende delen worden gegrepen.
 - g. **Als voorzieningen voor stofafzuiging of een stofreservoir kunnen worden gemonteerd, controleer dan dat deze zijn aangesloten en op de juiste wijze worden gebruikt.** Het gebruik van stofafzuiging kan aan stof gerelateerde gevaren verminderen.
 - h. **Denk niet dat, doordat u veel met gereedschap werkt dat u het allemaal wel weet en dat u de veiligheidsbeginselen voor het werken met het gereedschap wel kunt negeren.** Een onvoorzichtige handeling kan ernstig letsel veroorzaken in een fractie van een seconde.
- 4. Gebruik en onderhoud van elektrisch gereedschap**
- a. **Overbelast het elektrisch gereedschap niet. Gebruik het juiste elektrisch gereedschap voor uw toepassing.** Met het juiste elektrisch gereedschap kunt u de werkzaamheden waarvoor het gereedschap is ontworpen, beter en veiliger uitvoeren.
 - b. **Gebruik het elektrisch gereedschap niet als de schakelaar niet goed werkt.** Ieder elektrisch gereedschap dat niet met de schakelaar kan worden bediend, is gevaarlijk en moet worden gerepareerd.
 - c. **Trek de stekker uit het stopcontact en/of de accu uit het elektrisch gereedschap voordat u het gereedschap instelt, accessoires wisselt of het elektrisch gereedschap opbergt.** Dergelijke preventieve veiligheidsmaatregelen verminderen het risico dat het elektrisch gereedschap per ongeluk wordt gestart.
 - d. **Bewaar elektrisch gereedschap dat niet wordt gebruikt, buiten bereik van kinderen. Laat personen die er niet vertrouwd mee zijn en deze aanwijzingen niet hebben gelezen niet met het gereedschap werken.** Elektrisch gereedschap is gevaarlijk in handen van ongetrainde gebruikers.
 - e. **Onderhoud elektrisch gereedschap en accessoires goed. Controleer dat bewegende delen van het elektrisch gereedschap wel goed functioneren en niet klemmen, en dat er niet onderdelen zodanig zijn gebroken of beschadigd dat de werking van het gereedschap nadelig wordt beïnvloed. Laat het gereedschap voor gebruik repareren als het beschadigd is.** Veel ongelukken worden veroorzaakt door slecht onderhouden elektrisch gereedschap.
 - f. **Houd knip- en snijgereedschap scherp en schoon.** Goed onderhouden zaaggereedschap met scherpe snijvlakken loopt minder snel vast en is gemakkelijker onder controle te houden.
 - g. **Gebruik elektrisch gereedschap, accessoires, zaagjes en boortjes, enz., volgens deze aanwijzingen. Let daarbij op de werkomstandigheden en de uit te voeren werkzaamheden.** Gebruik van het elektrisch gereedschap voor werkzaamheden die anders zijn dan bedoeld, kan leiden tot een gevaarlijke situatie.

h. Houd de handgrepen droog, schoon en vrij van olie en vet. Gladde handgrepen en greepoppervlakken maken het moeilijk het gereedschap veilig te hanteren en onder controle te houden in onverwachte situaties.

5. Gebruik en onderhoud van accugereedschap

- Laad accu's alleen op met de door de fabrikant aanbevolen lader. Een lader die geschikt is voor het ene type accu, kan een risico van brand doen ontstaan bij gebruik met een andere accu.
- Gebruik elektrisch gereedschap alleen in combinatie met specifiek vermelde accu's. Het gebruik van andere accu's kan gevaar voor letsel en brand opleveren.
- Houd de accu, wanneer u deze niet gebruikt, weg bij andere metalen objecten zoals paperclips, munten, sleutels, spijkers, schroeven of andere kleine metalen voorwerpen die een verbinding tot stand kunnen brengen tussen de ene pool en de andere. Als kortsluiting tussen de polen van de accu wordt gemaakt, kan dit tot brandwonden of brand leiden.
- Wanneer de accu verkeerd wordt behandeld, kan er vloeistof uit de accu spuiten; vermijd contact met deze vloeistof. Als er per ongeluk contact ontstaat, spoel dan met water. Als de vloeistof in de ogen komt, roep dan tevens medische hulp in. Vloeistof uit de accu kan irritatie en brandwonden veroorzaken.
- Gebruik niet een accu of gereedschap die/dat beschadigd is of waaraan wijzigingen zijn aangebracht. Beschadigde of gemodificeerde accu's kunnen zich onvoorspelbaar gedragen wat brand, explosie of een risico van letsel met zich mee kan brengen.
- Stel een accu of gereedschap niet bloot aan vuur of uitzonderlijk hoge temperaturen. Blootstelling aan vuur of een temperatuur boven 130 °C kan explosie tot gevolg hebben.

Opmerking: Voor de temperatuur "130 °C" kunt u lezen "265 °F".

- Volg alle instructies voor het opladen en laad de accu of het gereedschap niet bij een temperatuur buiten het temperatuurbereik dat wordt opgegeven in de instructies. Onjuist opladen of opladen bij temperaturen buiten het opgegeven bereik kan de accu beschadigen en het risico van brand vergroten.
6. Service
- Laat het gereedschap alleen repareren door gekwalificeerd en vakkundig personeel en alleen met originele vervangingsonderdelen. De veiligheid van het gereedschap blijft dan gewaarborgd.
 - Voer nooit servicewerkzaamheden uit aan accu's. Alleen de fabrikant of een erkend servicecentrum mogen servicewerkzaamheden aan accu's uitvoeren.

Veiligheidsvoorschriften voor alle handelingen

- **Draag gehoorbescherming wanneer u de boorhamer gebruikt.** Blootstelling aan lawaai kan gehoorverlies veroorzaken.
- **Houd het gereedschap alleen vast aan geïsoleerde oppervlakken als u een handeling uitvoert waarbij het zaaggereedschap in contact kan komen met verborgen bedrading.** Hulpstukken voor snijden die in contact komen met bedrading 'onder spanning'; kunnen metalen onderdelen van het gereedschap onder spanning zetten en de gebruiker een elektrische schok geven.

Aanvullende veiligheids waarschuwingen voor elektrisch gereedschap



Waarschuwing! Aanvullende Veiligheidsvoorschriften voor Boormachine/Schroevendraaier/Hamerboor.

- Zet het werkstuk met klemmen of op een andere praktische manier vast en ondersteun het op een stabiele ondergrond. Wanneer u het werkstuk vasthoudt met de hand of tegen uw lichaam gedrukt houdt, is het instabiel en kunt u de controle verliezen.
- Accessoires en het gereedschap kunnen tijdens het werken heet worden. Draag wanneer u ze hanteert handschoenen als u toepassingen uitvoert waarbij warmte vrijkomt, zoals werken met de hamerboor en het boren in metaal.
- Ventilatieopeningen bedekken vaak bewegende onderdelen en kunnen beter niet worden aangeraakt. Loszittende kleding, sieraden of lang haar kunnen door bewegende delen worden gegrepen.
- Draag een veiligheidsbril of andere bescherming van uw ogen. Tijdens het werken met de boor of hamerboor kunnen er kleine stukjes materiaal in het rond vliegen. Vliegende deeltjes kunnen permanente beschadiging van de ogen veroorzaken.
- Draag gehoorbescherming wanneer u de boorhamer gebruikt. Blootstelling aan lawaai kan gehoorverlies veroorzaken.
- Gebruik de hulphandgreep/hulphandgrepen als die bij het gereedschap wordt/worden geleverd. Verlies van controle kan leiden tot persoonlijk letsel.
- Werk niet lange tijd achtereen met dit gereedschap. Trilling die wordt veroorzaakt door de werking van het gereedschap kunnen schadelijk zijn voor uw handen en armen. Draag handschoenen zodat de trillingen worden opgevangen en beperk de blootstelling door regelmatig rustperiodes in te lassen.

Veiligheidsinstructies wanneer u lange boren gebruikt

- ◆ **Werk nooit op een hogere snelheid dan de maximale nominale snelheid op de boor-bit.** Bij hogere snelheden zal de boor misschien doorbuigen als deze vrij kan draaien zonder contact met het werkstuk, wat persoonlijk letsel tot gevolg heeft.
- ◆ **Begin altijd met woorden op een lagere snelheid met de boor-bit in contact met het werkstuk.** Bij hogere snelheden zal de boor misschien doorbuigen als deze vrij kan draaien zonder contact met het werkstuk, wat persoonlijk letsel tot gevolg heeft.
- ◆ **Oefen alleen in een directe lijn met het boortje druk uit en oefen niet al te veel druk uit.** Bits kunnen doorbuigen waardoor de bit kan breken of de gebruiker de controle kan verliezen, wat persoonlijk letsel tot gevolg heeft.

Veiligheid van anderen

- ◆ Dit gereedschap mag niet worden gebruikt door personen (waaronder kinderen) die lichamelijk of geestelijk mindervalide zijn of die geen ervaring met of kennis van dit gereedschap hebben, tenzij ze onder toezicht staan of instructies krijgen over het gebruik van het gereedschap van een persoon die verantwoordelijk is voor hun veiligheid.
- ◆ Er moet op worden toegezien dat kinderen niet met het apparaat spelen.

Overige risico's

Er kunnen zich bij het gebruik van dit gereedschap nog meer risico's voordoen, die mogelijk niet in de bijgesloten veiligheidswaarschuwingen worden beschreven. Deze risico's kunnen zich voordoen door onoordeelkundig gebruik, langdurig gebruik, enz.

Zelfs wanneer de veiligheidsvoorschriften in acht worden genomen en de veiligheidsvoorzieningen worden gebruikt, kunnen bepaalde risico's niet worden uitgesloten. Dit zijn onder meer:

- ◆ Verwondingen die worden veroorzaakt door het aanraken van draaiende/bewegende onderdelen.
- ◆ Verwondingen die worden veroorzaakt bij het vervangen van onderdelen, bladen of accessoires.
- ◆ Letsel dat wordt veroorzaakt door langdurig gebruik van gereedschap. Wanneer u langere periodes met gereedschap werkt, kunt u het beste regelmatig een pauze nemen.
- ◆ Gehoorbeschadiging.
- ◆ Gezondheidsrisico's door het inademen van stof dat vrijkomt tijdens het gebruik van het gereedschap (bijvoorbeeld het werken met hout, met name eiken, beuken en MDF.)

Trillingen

De aangegeven waarden voor trillingsemisatie in de technische gegevens en de conformiteitsverklaring, zijn gemeten conform een standaardtestmethode die door EN62841 wordt verstrekt. Hiermee kan het ene gereedschap met het andere worden vergeleken.

De aangegeven waarde voor trillingsemisatie kan ook worden gebruikt bij een voorlopige bepaling van blootstelling.

Waarschuwing! De waarde voor trillingsemisatie tijdens het werkelijke gebruik van het elektrisch gereedschap kan verschillen van de aangegeven waarde afhankelijk van de manieren waarop het gereedschap wordt gebruikt. Het trillingsniveau kan toenemen tot boven het aangegeven niveau.

Bij beoordeling van de blootstelling aan trillingen met het doel vast te stellen welke veiligheidsmaatregelen 2002/44/EG vereist ter bescherming van personen die tijdens hun werk regelmatig elektrisch gereedschap gebruiken, moet bij een inschatting van de blootstelling aan trillingen rekening worden gehouden met de werkelijke gebruiksomstandigheden en de manier waarop het gereedschap wordt gebruikt. Daarbij moet ook rekening worden gehouden met alle onderdelen van de bedrijfscyclus, zoals wanneer het gereedschap wordt uitgeschakeld en wanneer het gereedschap stationair loopt en ook de aanlooptijd.

Etiketten op het gereedschap

De volgende pictogrammen worden met de datumcode op het gereedschap weergegeven:



Waarschuwing! De gebruiker moet de instructiehandleiding lezen zodat het risico van letsel wordt beperkt.



Kijk niet in de werk lamp

Belangrijke veiligheidsinstructies voor alle gereedschap met geïntegreerde accu

Waarschuwing! Lees alle veiligheidswaarschuwingen, instructies en aanwijzingen voor veilig gebruik voor de accu, de lader en het product. Het niet opvolgen van de waarschuwingen en instructies kan leiden tot een elektrische schok, brand en/of ernstig persoonlijk letsel.

- ◆ Gebruik nooit geweld wanneer u de stekker van een lader in het gereedschap steekt.
- ◆ De stekker van de lader van een lader die niet geschikt is NOOIT aanpassen, op om het even welke manier, omdat de accu kan openbarsten en dat kan ernstig persoonlijk letsel tot gevolg hebben.

- ◆ Laad de accu NIET op en gebruik de accu NIET in een explosieve omgeving, zoals in de aanwezigheid van ontvlambare vloeistoffen of gasen of stof. Wanneer u de stekker van de lader in het gereedschap steekt of eruit neemt, kunnen het stof en de dampen tot ontbranding komen.
- ◆ De accu alleen opladen met de meegeleverde kabel en een geschikte voeding van klasse 2.
- ◆ De accu NIET met water besproeien of onderdompelen in water.
- ◆ NIET toelaten dat er water of een andere vloeistof in het gereedschap dringt.
- ◆ Het gereedschap NIET opbergen of gebruiken op plaatsen waar de temperatuur kan oplopen tot 40 °C of hoger (zoals in schuurtjes of metalen opbergplaatsen buiten in de zomer). Het gereedschap gaat het langste mee wanneer u het op een koele, droge plaats opbergt.
- ◆ Berg het gereedschap niet op terwijl de schakelaar is vergrendeld in de aan-stand. Probeer nooit de schakelaar met tape in de ingeschakelde stand te vergrendelen.
- ◆ Het gereedschap NIET in vuur gooien, zelfs niet als het ernstig beschadigd of volledig versleten is. De accu kan ontploffen in vuur. Er kunnen giftige dampen ontstaan wanneer lithium-ion accu's worden verbrand.
- ◆ Als de inhoud van de accu in contact komt met de huid, was het gebied dan onmiddellijk met een milde zeepoplossing en water. Als accuvloeistof in contact komt met de ogen, spoel het geopende oog dan gedurende 15 minuten uit of tot de irritatie over is. Als medische hulp vereist is, weet dan dat elektrolyt van de accu is samengesteld uit een mengsel van vloeibare organische carbonaten en lithium-zouten.
- ◆ De inhoud van de geopende accu kan irritatie van de luchtwegen veroorzaken. Zorg voor frisse lucht. Roep medische hulp in als de symptomen aanhouden.
- ◆ Accu-vloeistof kan ontbranden bij blootstelling aan vonken of open vuur.
- ◆ Probeer nooit om welke reden dan ook het gereedschap open te maken. Laad het gereedschap niet op als de behuizing gebarsten is of beschadigd. Zet niet te veel druk op het gereedschap, laat het niet vallen, beschadig het niet. Gebruik gereedschap en een lader niet als zij hard zijn gestoten, zijn gevallen, er iets overheen is gereden of als zij op welke manier dan ook zijn beschadigd (bijv., doorboord met een spijker, er met een hamer op is geslagen, iemand erop heeft gestaan). Breng beschadigd gereedschap terug naar het servicecentrum zodat het kan worden gerecycled.

Aanbevelingen voor opslaan

De beste opslagplaats is er een die koel en droog is, weg van direct zonlicht en overmatige warmte of kou.

Berg het geheel opgeladen gereedschap los van de lader op.

Transport

Opmerking: Gereedschap met geïntegreerde Li-ion-accu mag niet in gecontroleerde bagage in vliegtuigen worden gestopt en moet op juiste wijze worden beschermd tegen kortsluiting, als het in handbagage wordt vervoerd.

Belangrijke veiligheidsinstructies voor het opladen van alle geïntegreerde accu's

Waarschuwing! Lees alle veiligheidswaarschuwingen, instructies en aanwijzingen voor veilig gebruik voor de accu, de laadkabel en het product. Het niet opvolgen van de waarschuwingen en instructies kan leiden tot een elektrische schok, brand en/of ernstig persoonlijk letsel.

- ◆ De meegeleverde laadkabel is niet bedoeld voor andere toepassingen dan het opladen van oplaadbaar gereedschap van BLACK+DECKER met micro-oplaadpoorten. Het opladen van andere typen gereedschap kan ertoe leiden dat de accu ervan te heet wordt en openbarst, wat persoonlijk letsel, materiële schade, brand, een elektrische schok of elektrocutie tot gevolg kan hebben.
- ◆ Stel de laadkabel NIET bloot aan water, regen of sneeuw.
- ◆ Trej aan de stekkers in plaats van aan de snoeren wanneer u de laadkabel loskoppelt. Dit beperkt het risico dat de stekkers en het snoer worden beschadigd.
- ◆ Zorg ervoor dat het snoer zo is geplaatst dat niemand erop kan stappen of erover kan struikelen of het snoer op andere wijze beschadigd of bekneld raakt.
- ◆ Zorg altijd voor een droge plek wanneer u het gereedschap buiten oplaadt.
- ◆ Een laadkabel NIET gebruiken wanneer het snoer of een stekker is beschadigd. Laat ze onmiddellijk vervangen.
- ◆ Houd vreemde materialen die geleidende eigenschappen hebben, zoals, maar niet uitsluitend, slijpstof, metaalsnippers, staalwol, aluminiumfolie of een ophoping van metaaldeeltjes, weg bij de laadstekkers en micro-laadstekkers en de oplaadpoort.
- ◆ Trek altijd de stekker van de laadkabel uit de stroomvoorziening, wanneer er geen gereedschap op is aangesloten.

Elektrische veiligheid

De lader is dubbel geïsoleerd, en daarom is een aardedraad niet nodig. Controleer altijd dat de netspanning overeenkomt met de waarde op het typeplaatje. Probeer nooit de lader te voorzien van een normale netstekker.



- ◆ Als het netsnoer is beschadigd, moet dit worden vervangen door de fabrikant of een BLACK+DECKER-servicecentrum, zodat gevaarlijke situaties worden voorkomen.

Waarschuwing! Probeer nooit de lader te voorzien van een normale netstekker.

Funcities

Dit gereedschap kan enkele van de volgende functies of alle, omvatten:

1. Variabele-snelheidsschakelaar
2. Schuifknop voor rechtsom/linksom
3. Stelling voor instelling aanhaalmoment
4. Sleutellose spankop
5. Lader
- 5a. Laadpoort
- 5b. Indicatielampje Laden (pas zichtbaar wanneer u de stekker in het stopcontact steekt)
6. Tandwielen voor twee snelheden
7. LED-werklicht"

De accu opladen (afb. A)

De geïntegreerde accu moet vóór het eerste gebruik worden opgeladen, en ook zodra de accu niet meer voldoende vermogen levert voor taken die eerst gemakkelijk konden worden uitgevoerd. Tijdens het opladen kan de accu warm worden. Dit is normaal en duidt niet op een probleem.

Waarschuwing! Laad de batterij niet op bij een omgevingstemperatuur lager dan 10 °C of hoger dan 40 °C. De aanbevolen laadtemperatuur is ongeveer 24 °C.

Opmerking: De lader zal de accu niet opladen als de temperatuur van de accu lager is dan ongeveer 10 °C of hoger dan 40 °C.

Houd de aansluiting van de geïntegreerde accu op de lader in dat geval in stand. De lader wordt automatisch ingeschakeld wanneer de accu de juiste temperatuur heeft.

- ◆ Steek de stekker van de laadconnector (5) in de laadpoort (5a).
- ◆ Steek de stekker van de laadconnector (5) in het stopcontact.
- ◆ Laat het gereedschap ongeveer 4 uur op de lader aangesloten.
- ◆ De laadindicator (5b) zal branden tijdens het laden.

Bedieningsinstructies

Aan/uit-schakelaar & Knop Achteruit (afb. B, C)

- ◆ De boor wordt AAN en UIT gezet door de aan-/uitschakelaar (1) in te trekken en los te laten. Hoe verder u de Aan/Uit-schakelaar indrukt, des te sneller werkt de boormachine.
- ◆ Met de knop voor vooruit/achteruit (2) bepaalt u de draairichting van het gereedschap.


Deze knop dient ook als ontgrendelingsknop.

- ◆ Om de voorwaartse draairichting te selecteren, laat u de aan-/uitschakelaar los en duwt u de knop vooruit/achteruit naar links.
- ◆ Om de achterwaartse draairichting te selecteren, duwt u de knop vooruit/achteruit in de tegengestelde richting.
- ◆ U kunt het gereedschap vergrendelen door de schuifknop vooruit/achteruit in de middelste stand te zetten.

Opmerking: De middelste stand van de regelknop vergrendelt het gereedschap in de uit-stand. Wanneer u de stand van de regelknop wijzigt, is het belangrijk dat u de aan/uit-knop niet indrukt.

Torsieregeling (afb. D)

Dit gereedschap is voorzien van een stelling (3) voor de torsie waarmee u de gebruiksstand kunt selecteren en de torsie voor het indraaien van schroeven kunt instellen. Grote schroeven en harde werkmaterialen vragen een hogere torsie-instelling dan kleine schroeven en zachte werkmaterialen.

- ◆ Zet voor boren de stelling in op de stand met het boorsymbool 
- ◆ Als u schroeven wilt draaien, stelt u de stelling op de gewenste instelling in. Ga als volgt te werk als u niet weet wat de juiste stand is:
- ◆ Stel de stelling in op de laagste torsie-instelling.
- ◆ Draai de eerste schroef aan.
- ◆ Als de koppeling ratelt voordat het gewenste resultaat is bereikt, verhoogt u de instelling van de stelling en gaat u door met het aandraaien van de schroef. Herhaal dit tot u de juiste stand heeft bereikt. Gebruik deze instelling voor de resterende schroeven.

Spankop zonder sleutel (afb. E)

Waarschuwing! Controleer dat de vergrendelingsknop voor de Uit-stand is ingeschakeld zodat de schakelaar niet kan worden bediend, voordat u accessoires plaatst of losneemt. Een boortje of een ander accessoire plaatsen:

- ◆ Grijp het achterste gedeelte van de spankop (8) met uw ene hand vast en draai met uw andere hand het voorste gedeelte (9) naar links, gezien vanuit de spankop.
- ◆ Plaats het boortje of het andere accessoire volledig in de spankop en zet het stevig vast door het achterste gedeelte van de spankop vast te houden en het voorste gedeelte naar rechts te draaien (gezien vanuit de spankop).

Waarschuwing! Probeer niet boren (of andere accessoires) vast te zetten door het voorste gedeelte van de spankop vast te houden en het gereedschap in te schakelen. Wanneer u accessoires op deze manier wisselt, kan de spankop beschadigd raken en kunt u zich kwetsen.

Tandwielen voor twee snelheden (Afb. F)

Doordat uw boormachine een dubbel bereik heeft, kunt u overschakelen naar een andere versnelling, voor meer veelzijdigheid. Schakel voor de lage snelheid, voor de instelling voor hoog koppel (stand 1), het gereedschap uit en laat het tot stilstand komen. Schuif de knop voor snelheidswissel (6) weg van de boorkop.

Schakel voor het selecteren van de hoge snelheid, voor de stand voor lage torsië (stand 2) het gereedschap uit en laat het tot stilstand komen.

Schuif de knop voor snelheidswissel naar voren, naar de spankop toe.

Opmerking: Als het wisselen van snelheid niet gemakkelijk verloopt, is het belangrijk dat u controleert dat de knop voor de snelheidswissel volledig naar voor of volledig naar achter is gedruwd

Boren/schroeven indraaien (afb. C)

- ◆ Gebruik de schuifknop vooruit/achteruit (2) om de gewenste draairichting te selecteren.
- ◆ Druk de aan/uit-schakelaar (1) in om het gereedschap in te schakelen.
De snelheid van het gereedschap hangt af van hoe ver u de schakelaar indrukt.
- ◆ Laat de schakelaar los om het gereedschap uit te schakelen.

Tips voor optimaal gebruik

Boren

- ◆ Gebruik alleen scherpe boortjes.
- ◆ Ondersteun het werkstuk goed en zet het goed vast, volgens de aanwijzingen in de veiligheidsinstructies.
- ◆ Gebruik de gepaste en vereiste veiligheidsuitrusting, volgens de aanwijzingen in de veiligheidsinstructies.
- ◆ Maak het werkgebied veilig en onderhoud het volgens de aanwijzingen in de veiligheidsinstructies.
- ◆ Laat de boormachine langzaam werken, oefen lichte druk uit tot het gat voldoende diep is en het boortje niet meer kan weglopen.
- ◆ Oefen druk uit in een rechte lijn met de boor. Duw hard genoeg om de boor zijn werk te laten doen, maar niet zo hard dat de motor vastloopt of de boor van zijn rechte lijn afwijkt.
- ◆ Houd de boormachine stevig vast met twee handen om de draai beweging goed te kunnen controleren.
- ◆ **SCHAKEL EEN VASTGELOPEN BOORMACHINE NIET IN EN UIT IN EEN POGING DE MACHINE WEER OP GANG TE BRENGEN. HIERDOOR KAN DE BOORMACHINE BESCHADIGD RAKEN**
- ◆ Verklein de kans op vastlopen in het laatste gedeelte van het boren door dan de druk te verminderen en langzaam te boren.

- ◆ Laat de motor draaien terwijl u de boor uit het geboorde gat trekt. Dit zal helpen om vastlopen te verminderen.
- ◆ Controleer dat de Aan/Uit-schakelaar goed werkt.

In hout boren

In hout kunt u dezelfde spiraalboren gebruiken als voor metaal, of speciale speed-boren. Deze boren moeten scherp zijn en moeten tijdens het boren regelmatig uit het gat worden getrokken zodat spaanders uit de groeven van de boor kunnen ontsnappen.

In metaal boren

Gebruik een snijvloeistof wanneer u in metaal boort. De uitzonderingen zijn gietijzer en messing, deze moeten droog worden geboord. De koeloliën die het beste werken, zijn gezwavelde koelolie of spekolie

In steen boren

Voor boren in metselwerk zet u de ring (3) in de boorhamerstand door het symbool tegenover de markering te zetten.

Schuif de keuzeschakelaar voor de snelheid (6) naar de voorzijde van het gereedschap (2e versnelling).

Schroeven in- en uitdraaien

- ◆ Gebruik altijd het juiste type en formaat schroefbit.
- ◆ Als schroeven moeilijk vast te zetten zijn, probeer dan om een kleine hoeveelheid afwasmiddel of zeep aan te brengen als smeermiddel.
- ◆ Houd het gereedschap en het schroefbit altijd in een rechte lijn met de schroef.

Problemen oplossen

Probleem	Mogelijke oorzaak	Mogelijke oplossing
Toestel start niet.	Accu is niet opgeladen.	Controleer wat nodig is voor het laden van de accu
De accu laadt niet op.	De stekker van de lader zit niet in het stopcontact. De omgevingstemperatuur is te hoog of te laag.	Steek de stekker van de lader in een stopcontact waar stroom op staat. Verplaats de lader en de accu naar een locatie waar de luchttemperatuur hoger is dan +4,5 °C en lager is dan +40,5 °C
Gereedschap werkt plotseling niet meer.	Accu heeft de uiterste thermische limiet bereikt. Accu is leeg. De accu is zo ontworpen dat hij zichzelf plotseling uitschakelt wanneer hij bijna leeg is. Dit verlengt de levensduur van de accu	Laat de accu afkoelen. Plaats de accu op de lader en laad de accu op.

Onderhoud

Uw BLACK+DECKER-gereedschap is ontworpen om gedurende langere periode te functioneren met een minimum aan onderhoud. Het continu naar tevredenheid functioneren hangt af van de juiste zorg voor het gereedschap en regelmatig schoonmaken.

Behalve regelmatige reiniging vraagt de lader geen onderhoud.

Waarschuwing! Trek, voordat u onderhouds- of reinigingswerkzaamheden aan het gereedschap uitvoert, de stekker van de lader uit het stopcontact.

- ◆ Reinig regelmatig de ventilatieopeningen van het gereedschap met een zachte borstel of droge doek.
- ◆ Reinig de behuizing van de motor regelmatig met een vochtige doek. Gebruik niet een schurend schoonmaakmiddel of een schoonmaakmiddel op basis van een oplosmiddel.

Het milieu beschermen



Gescheiden afvalinzameling. Producten en accu's waarop dit symbool is aangebracht, mogen niet bij het normale huishoudafval worden weggegooid.

Producten en accu's bevatten materialen die kunnen worden teruggewonnen of gerecycled en dat doet de vraag naar grondstoffen afnemen.

Recycle elektrische producten en accu's volgens de ter plaatse geldende bepalingen.

Nadere informatie is beschikbaar op

www.2helpU.com

Technische gegevens

REVHD12C H1		
Spanning	V _{DC}	12
Snelheid onbelast	min ⁻¹	0-350 / 0-1350 /min (TPM)
Max. torsie	Nm	17,5-40
Capaciteit spankop	mm	1 - 10
Max. boorvermogen		
Staal/hout/metselwerk	mm	10/ 25 / 10
Gewicht	kg	1,0

Geïntegreerde accu		
Accutype		Li-Ion
Ah-classificatie		1,5

S010*1400040		
Lader		
Ingangsspanning	V _{AC}	230
Uitgangsspanning	V _{DC}	10,8

Laadstroom	mA	400mA
Opladtid ongev.	h	4

Geluidsdruk niveau, volgens EN 62841:
Geluidsdruk (L _{pa}) 84, onzekerheid (K) 5 dB(A)
Geluidsvermogen (L _{wa}) 95 dB(A), meetonzekerheid (K) 5 dB(A)

Totale trillingswaarden (som triaxvector) volgens EN 62841:
In metaal boren (a _h) 0,9 m/s ² , onzekerheid (K) 1,5 m/s ²
Met klopploer in beton boren (a _h) 17,1 m/s ² , onzekerheid (K) 1,5 m/s ²

EG Conformiteitsverklaring

RICHTLIJN VOOR MACHINES



REVHD12C - Klopploermachine

Black & Decker verklaart dat de producten die worden beschreven onder 'technische gegevens, voldoen aan: EN62841-1:2015, EN62841-2-1:2018+A11:2019.

Deze producten voldoen ook aan Richtlijn 2006/42/EG, 2014/30/EU en 2011/65/EU. Neem voor meer informatie contact op met Black & Decker op het volgende adres of raadpleeg de achterzijde van de handleiding.

Ondergetekende is verantwoordelijk voor de samenstelling van het technische bestand en legt deze verklaring af namens

Black & Decker.

Patrick Diepenbach

Patrick Diepenbach
General Manager, Benelux
Black and Decker,
Egide Walschaertsstraat 14-18
2800 Mechelen, België
30-3-2022

Garantie

Black & Decker heeft vertrouwen in zijn producten en biedt consumenten een garantie van 24 maanden vanaf de aankoopdatum.

Deze garantie vormt een aanvulling op uw wettelijke rechten en beperken deze niet. De garantie is geldig op het grondgebied van de Lidstaten van de Europese Unie, de Europese Vrijhandelszone en het Verenigd Koninkrijk.

Voor een garantie-aanspraak moet uw aanspraak in overeenstemming zijn met de Voorwaarden en Condities van Black & Decker en moet u een bewijs van aankoop overleggen aan de verkoper of aan een geautoriseerde reparatiemonteur.

Voorwaarden en condities van de 2-jarige garantie van Black & Decker en het adres van de vestiging van het geautoriseerde reparatiecentrum bij u in de buurt, kunt u vinden op internet op www.2helpU.com, of door contact op te nemen met het Black & Decker-kantoor ter plaatse, op het adres dat in deze handleiding wordt vermeld.

Bezoek onze website www.blackanddecker.nl, waar u uw nieuwe Black & Decker-product kunt registreren en het laatste nieuws vindt over nieuwe producten en speciale aanbiedingen.

Uso previsto

El taladro de impacto REVHD12C de BLACK+DECKER™ ha sido diseñado para aplicaciones de atornillado y de taladrado de madera metales y mampostería. Esta herramienta ha sido concebida únicamente para uso doméstico.

Instrucciones de seguridad

Advertencias de seguridad para herramientas eléctricas en general



¡Advertencia! Lea todas las advertencias de seguridad, instrucciones, ilustraciones y especificaciones incluidas con esta herramienta eléctrica.

En caso de no atenerse a las siguientes advertencias e instrucciones de seguridad, podría producirse una descarga eléctrica, incendio o lesión grave.

Guarde todas las advertencias e instrucciones para futuras consultas.

El término "herramienta eléctrica" empleado en las advertencias a continuación hace referencia a la herramienta eléctrica con alimentación de red (con cable) o alimentada por batería (sin cable).

1. Seguridad del área de trabajo

- a. **Mantenga limpia y bien iluminada el área de trabajo.**
Las áreas en desorden u oscuras pueden provocar accidentes.
- b. **No utilice herramientas eléctricas en entornos con peligro de explosión, como aquellos en los que haya líquidos, gases o polvos inflamables.** Las herramientas eléctricas originan chispas que pueden inflamar el polvo o los gases.
- c. **Mantenga alejados a los niños y otras personas del área de trabajo al emplear la herramienta eléctrica.**
Las distracciones pueden causar la pérdida del control de la herramienta.

2. Seguridad eléctrica

- a. **El enchufe de la herramienta eléctrica debe corresponder a la toma de corriente.**

No modifique nunca el enchufe de ninguna forma. No utilice ningún enchufe adaptador con las herramientas eléctricas conectadas a tierra (puestas a masa). Los enchufes no modificados y las tomas de corriente compatibles reducen el riesgo de descarga eléctrica.

- b. **Evite que su cuerpo toque partes conectadas o puestas a tierra tales como tuberías, radiadores, cocinas y refrigeradores.** Existe un mayor riesgo de descarga eléctrica si su propio cuerpo está conectado a tierra.
- c. **No exponga las herramientas eléctricas a la lluvia y a la humedad.** Si entra agua en una herramienta eléctrica, aumenta el riesgo de descarga eléctrica.
- d. **Cuide el cable de alimentación. No use nunca el cable para transportar, tirar de la herramienta eléctrica o desenchufarla. Mantenga el cable alejado del calor, aceite, cantos afilados y piezas en movimiento.** Los cables dañados o enredados aumentan el riesgo de descarga eléctrica.
- e. **Al trabajar con la herramienta eléctrica en la intemperie utilice solamente cables de prolongación homologados para su uso en exteriores.** La utilización de un cable adecuado para el uso en exteriores reduce el riesgo de descarga eléctrica.
- f. **Si la utilización de una herramienta eléctrica en un lugar húmedo es inevitable, utilice una fuente protegida con un dispositivo diferencial residual (DDR).** El uso de un DDR reduce el riesgo de descarga eléctrica.

3. Seguridad personal

- a. **Esté atento a lo que hace y emplee la herramienta eléctrica con prudencia.**
No maneje una herramienta eléctrica cuando esté cansado o bajo los efectos de drogas, medicamentos o alcohol. Un momento de falta de atención cuando se manejan las herramientas eléctricas puede ocasionar lesiones personales graves.
- b. **Utilice un equipo de protección personal. Utilice siempre protección ocular.** El uso de equipo de protección, como mascarillas antipolvo, calzado antideslizante, casco o protección auditiva para las condiciones apropiadas reduce la posibilidad de sufrir lesiones corporales.
- c. **Impida que la herramienta se ponga en marcha involuntariamente. Asegúrese de que el interruptor se encuentre en la posición de apagado antes de conectar la herramienta a la fuente de alimentación o a la batería, o de coger o transportar la herramienta.**

Transportar herramientas eléctricas con el dedo puesto en el interruptor o herramientas eléctricas activadoras que tengan el interruptor encendido puede provocar accidentes.

- d. **Retire las herramientas de ajuste o llaves fijas antes de encender la herramienta eléctrica.** Dejar una llave inglesa u otra llave puesta en una pieza en movimiento de la herramienta eléctrica puede ocasionar lesiones personales.
- e. **Sea precavido. Mantenga un equilibrio adecuado y la estabilidad constantemente.** Esto permite un mejor control de la herramienta eléctrica en situaciones inesperadas.
- f. **Lleve puesta una vestimenta de trabajo adecuada. No se ponga ropa suelta o joyas. Mantenga el cabello, la ropa y los guantes alejados de las piezas en movimiento.**
La ropa suelta, las joyas y el pelo largo pueden quedar atrapados en las piezas en movimiento.
- g. **Siempre que sea posible utilizar unos equipos de aspiración o captación de polvo, asegúrese de que estén montados y de se utilicen correctamente.** El uso de equipo de recogida de polvo puede reducir los riesgos relacionados con el polvo.
- h. **No permita que la familiaridad adquirida por el uso frecuente de las herramientas le haga confiarse demasiado e ignorar los principios de seguridad de la herramienta.** Un descuido puede causar lesiones graves en una fracción de segundo.

4. Uso y cuidado de herramientas eléctricas

- a. **No sobrecargue la herramienta eléctrica. Use la herramienta eléctrica correcta para su trabajo.** La herramienta eléctrica correcta funcionará mejor y con mayor seguridad si se utiliza de acuerdo con sus características técnicas.
- b. **No utilice la herramienta eléctrica si no se puede encender y apagar con el interruptor.** Toda herramienta eléctrica que no pueda controlarse con el interruptor es peligrosa y debe ser reparada.
- c. **Desconecte el enchufe de la herramienta eléctrica de la fuente de alimentación y/o la batería antes de realizar cualquier ajuste, cambiar accesorios o guardar la herramienta.** Dichas medidas de seguridad preventivas reducen el riesgo de poner en marcha accidentalmente la herramienta eléctrica.
- d. **Guarde las herramientas eléctricas fuera del alcance de los niños y no permita que la utilicen las personas no familiarizadas con su uso o con estas instrucciones.**

Las herramientas eléctricas son peligrosas en manos de personas no capacitadas.

- e. **Realice el mantenimiento de sus herramientas eléctricas y accesorios. Compruebe que las piezas móviles no estén desalineadas ni atascadas, que no haya piezas rotas y cualquier otra condición que pudiera afectar al funcionamiento de la herramienta eléctrica. Si la herramienta eléctrica está dañada, llévela para que sea reparada antes de utilizarla.** Se ocasionan muchos accidentes por el mal mantenimiento de las herramientas eléctricas.
 - f. **Mantenga las herramientas de corte limpias y afiladas.** Hay menos probabilidad de que las herramientas de cortar con bordes afilados se bloqueen, y son más fáciles de controlar.
 - g. **Utilice la herramienta eléctrica, los accesorios, los útiles de la herramienta, etc. de acuerdo con estas instrucciones, y tenga en cuenta las condiciones de trabajo y la tarea que va a realizar.** El uso de la herramienta eléctrica para operaciones que no sean las previstas puede ocasionar una situación peligrosa.
 - h. **Mantenga las empuñaduras y superficies de agarre secas, limpias y libres de aceite y grasa.** Las empuñaduras resbaladizas y las superficies engrasadas impiden aferrar y controlar la herramienta en situaciones imprevistas.
- 5. Uso y cuidado de la herramienta de batería**
- a. **Recárguela solo con el cargador especificado por el fabricante.** Un cargador adecuado para un tipo de batería puede provocar riesgos de incendios al ser utilizado con otra batería.
 - b. **Utilice las herramientas eléctricas solamente con las baterías recomendadas.** El uso de otras baterías puede suponer un riesgo de incendio y lesiones.
 - c. **Cuando no utilice la batería, manténgala alejada de objetos de metal como clips para papel, monedas, llaves, clavos, tornillos y otros pequeños objetos metálicos que pueden realizar una conexión de un terminal a otro.** Si se produce un cortocircuito entre los terminales de la batería, pueden ocasionarse incendios o quemaduras.
 - d. **En caso de uso abusivo puede salir líquido de la batería, evite el contacto.** Si se produce un contacto accidental, lave con agua. Si el líquido se pone en contacto con los ojos, acuda además a un médico. El líquido expulsado de la batería podrá provocar irritaciones o quemaduras.
 - e. **No use la batería ni la herramienta si están dañadas o si han sido modificadas.** Las baterías dañadas o modificadas pueden tener reacciones imprevistas y causar incendios, explosión o riesgo de lesiones.
 - f. **No exponga la batería o la herramienta al fuego o a temperaturas excesivas.**

La exposición al fuego o a una temperatura superior a 130 °C puede causar una explosión.

Nota: La temperatura "130 °C" puede sustituirse por la temperatura "265 °F".

- g. Siga las instrucciones de carga y no cargue la batería o la herramienta fuera del intervalo de temperatura especificado en las instrucciones.

La carga incorrecta o fuera del rango de temperatura especificado puede dañar la batería y aumentar el riesgo de incendio.

6. Reparaciones

- a. Haga reparar esta herramienta eléctrica solo por personal técnico autorizado que emplee exclusivamente piezas de repuesto originales. Así se asegurará que se mantenga la seguridad de la herramienta eléctrica.
- b. Nunca repare la batería si está dañada. La reparación de la batería puede ser efectuada únicamente por el fabricante o los proveedores de servicio autorizados.

Instrucciones de seguridad para todas las operaciones

- **Lleve protección acústica al realizar operaciones de perforación de impacto.** La exposición al ruido puede provocar pérdida de audición.
- **Sujete la herramienta eléctrica por las superficies de agarre aisladas cuando realice una operación en la que el accesorio de corte pueda entrar en contacto con un cable oculto.** El contacto de los accesorios de corte con un cable "cargado", puede cargar las partes metálicas expuestas de la herramienta eléctrica y producir una descarga eléctrica al operador.

Advertencias de seguridad adicionales para herramientas eléctricas



¡Advertencia! Advertencias de seguridad específicas adicionales para atomilladores/taladros/martillos.

- Utilice fijaciones u otro tipo de método para fijar y apoyar la pieza de trabajo en una plataforma estable. Si sostiene la pieza de trabajo con las manos o con el cuerpo, la pieza quedará inestable y puede hacerle perder el control.
- Los accesorios y la herramienta pueden alcanzar altas temperaturas durante el funcionamiento. Lleve guantes cuando los manipule si realiza operaciones que produzcan calor como el taladrado de metales.
- Las ventilaciones cubren a menudo las piezas móviles y deberán evitarse. La ropa suelta, las joyas y el pelo largo pueden quedar atrapados entre las piezas móviles.

- Lleve gafas de seguridad u otro tipo de protección visual. Las operaciones de taladrado y perforado provoca el vuelo de astillas. Las partículas en vuelo pueden provocar daños oculares permanentes.
- Lleve protección acústica al realizar operaciones de perforación de impacto. La exposición al ruido puede provocar pérdida de audición.
- Utilice la o las empuñaduras auxiliares, si la herramienta las tiene. La pérdida de control puede provocar lesiones personales.
- No utilice esta herramienta durante largos periodos de tiempo. Las vibraciones provocadas por la acción del taladro pueden resultar perjudicial para los brazos y las manos. Utilice guantes para ofrecer una protección adicional y limite la exposición tomando periodos de descansos frecuentes.

Indicaciones de seguridad para el uso de brocas largas

- ◆ **Nunca utilice una velocidad superior a la velocidad nominal máxima indicada para la broca.** A velocidades más altas, la broca podría doblarse si se la deja girar libremente sin entrar en contacto con la pieza de trabajo, y podría ocasionar lesiones personales.
- ◆ **Empiece a taladrar siempre a baja velocidad y poniendo la punta de la broca en contacto con la pieza de trabajo.** A velocidades más altas, la broca podría doblarse si se la deja girar libremente sin entrar en contacto con la pieza de trabajo, y podría ocasionar lesiones personales.
- ◆ **Aplique una presión no demasiado excesiva y solo en línea directa con la broca.** Las puntas pueden doblarse causando rotura o pérdida de control y lesiones personales.

Seguridad de otras personas

- ◆ Las personas (incluidos los niños) con capacidades físicas, sensoriales o mentales disminuidas o que carezcan de experiencia y conocimientos no deben utilizar esta herramienta, salvo que hayan recibido supervisión o formación con respecto al uso del aparato por parte de una persona responsable de su seguridad.
- ◆ Los niños deben vigilarse en todo momento para asegurarse de que no la tomen como elemento de juego.

Riesgos residuales

El uso de esta herramienta puede producir riesgos residuales adicionales no incluidos en las advertencias de seguridad adjuntas. Estos riesgos se pueden generar por un uso incorrecto, demasiado prolongado, etc.

El cumplimiento de las normas de seguridad correspondientes y el uso de dispositivos de seguridad no evitan ciertos riesgos residuales. Dichos riesgos incluyen:

- ◆ Lesiones producidas por el contacto con piezas móviles o giratorias.
- ◆ Lesiones producidas al cambiar cualquier pieza, hoja o accesorio.
- ◆ Lesiones producidas al usar una herramienta por un tiempo demasiado prolongado. Si utiliza una herramienta durante períodos de tiempo demasiado prolongados, asegúrese de realizar pausas con frecuencia.
- ◆ Deterioro auditivo.
- ◆ Riesgos para la salud producidos al respirar el polvo que se genera al usar la herramienta (por ejemplo: en los trabajos con madera, especialmente de roble, haya y tableros de densidad mediana).

Vibración

Los valores de emisión de vibraciones declarados en el apartado de características técnicas y en la declaración de conformidad se han calculado según un método de prueba estándar proporcionado por la norma EN62841 y pueden utilizarse para comparar una herramienta con otra.

El valor de emisión de vibraciones especificado también puede utilizarse en una evaluación preliminar de la exposición.

¡Advertencia! El valor de emisión de vibraciones durante el funcionamiento real de la herramienta eléctrica puede diferir del valor declarado en función de cómo se utilice dicha herramienta. El nivel de las vibraciones puede aumentar por encima del nivel declarado.

Al evaluar la exposición a las vibraciones con el fin de determinar las medidas de seguridad que exige la directiva 2002/44/CE para proteger a las personas que utilizan periódicamente herramientas eléctricas en el entorno laboral, deberá tenerse en cuenta una estimación de la exposición a las vibraciones, las condiciones de uso reales y el modo de empleo de la herramienta, así como los pasos del ciclo operativo como, por ejemplo, el número de veces que la herramienta se apaga, el tiempo que está parada y el tiempo de activación.

Etiquetas en la herramienta

Los siguientes pictogramas están colocados, junto al código, en la herramienta:



¡Advertencia! Para reducir el riesgo de lesiones, el usuario debe leer el manual de instrucciones.



No fije la vista en la luz de funcionamiento.

Instrucciones de seguridad importantes para todas las herramientas de batería integral

Advertencia Lea todas las advertencias de seguridad, instrucciones y marcas de precaución de la batería, el cargador y el producto. El incumplimiento de las advertencias e instrucciones podría provocar una descarga eléctrica, un incendio y/o lesiones graves.

- ◆ Nunca fuerce el enchufe del cargador en la herramienta.
- ◆ NO modifique de ningún modo el enchufe de un cargador no compatible para que encaje en la herramienta pues la batería puede romperse y causar lesiones personales graves.
- ◆ NO cargue ni utilice la batería en atmósferas explosivas, como, por ejemplo, en presencia de líquidos, gases o polvos inflamables.
Al colocar o retirar el enchufe de cargador de la herramienta pueden incendiarse el polvo o los humos.
- ◆ Cargue la batería solo con el cable de carga suministrado y una fuente de alimentación de clase 2 adecuada.
- ◆ NO salpique ni sumerja en agua la herramienta.
- ◆ NO deje que entre agua ni ningún otro líquido en la herramienta.
- ◆ NO guarde ni utilice la herramienta en lugares en los que la temperatura pueda alcanzar o superar los 104 °F (40 °C) (como, por ejemplo, cobertizos de exterior o instalaciones metálicas en verano). Para prolongar la vida útil de las herramientas, guárdelas en un lugar fresco y seco.
- ◆ No guarde la herramienta con el interruptor bloqueado. Nunca trabe con cinta el interruptor en la posición de encendido.
- ◆ NO incinere la herramienta aunque esté muy dañada o completamente desgastada. La batería podría explotar con el fuego. Si las baterías de iones de litio se queman, emiten humos y materiales tóxicos.
- ◆ Si el contenido de la batería entra en contacto con la piel, lave inmediatamente la zona con agua y jabón neutro. Si el líquido de la batería le entra en los ojos, enjuáguese con agua manteniendo los ojos abiertos durante 15 minutos o hasta que cese la irritación. Si necesita atención médica, el electrolito de la batería está compuesto por una mezcla de sales de litio y carbonos orgánicos líquidos.
- ◆ Si se abre la batería, el contenido puede causar irritación respiratoria. Respire aire fresco. Si los síntomas persisten, consulte un médico.
- ◆ El líquido de la batería puede ser inflamable si se expone a chispas o llamas.
- ◆ Nunca intente abrir la herramienta por ningún motivo. Si la carcasa de la herramienta está rota o dañada, no recargue la herramienta. No golpee, arroje ni dañe la herramienta.

No utilice una herramienta ni un cargador que haya recibido un golpe fuerte, se haya caído o se haya dañado de algún modo (p. ej., perforado con un clavo, golpeado con un martillo o pisado). Las herramientas dañadas deben llevarse al centro de servicio para su reciclado.

Recomendaciones de almacenamiento

El mejor lugar de almacenamiento es un lugar fresco y seco, alejado de la luz directa del sol y del frío y el calor excesivos.

Guarde la herramienta totalmente cargada y desconectada del cargador.

Transporte

Nota: Las herramientas con baterías de iones de litio integrales no deben ponerse en el equipaje facturado de los aviones, y deben estar debidamente protegidas de los cortocircuitos si se llevan en el equipaje de mano.

Instrucciones de seguridad importantes para la carga de todas las baterías integrales

¡Advertencia! Lea todas las advertencias de seguridad, instrucciones y marcas de precaución de la batería, el cable de carga y el producto. El incumplimiento de las advertencias e instrucciones podría provocar una descarga eléctrica, un incendio y/o lesiones graves.

- ◆ El cable de carga suministrado no ha sido previsto para ningún otro uso que no sea cargar las herramientas recargables BLACK+DECKER con micropuertos de carga. Cargar otros tipos de herramientas puede hacer que las baterías se sobrecalienten y se revienten, causando lesiones personales, daños a la propiedad, incendios, descargas eléctricas o electrocución.
- ◆ NO exponga el cable de carga al agua, la lluvia o la nieve.
- ◆ Tire de los enchufes y no del cable para desenchufar el cable de carga. Esto reduce el riesgo de daños a los enchufes y al cable.
- ◆ Compruebe que el cable esté ubicado en modo de no pisarlo ni tropezar con él y que no cause ningún otro daño o tensión.
- ◆ Cuando cargue la herramienta en un lugar exterior, este debe estar siempre seco.
- ◆ No utilice un cable de carga que esté dañado o tenga el enchufe dañado. Hágalo cambiar inmediatamente.
- ◆ Los materiales extraños que sean conductores, como, por ejemplo, el polvo de amolado, las astillas metálicas, la lana de acero, el papel de aluminio o cualquier otra acumulación de partículas metálicas, deben mantenerse alejados de los enchufes, puertos y micropuertos de carga.
- ◆ Desenchufe siempre el cable de carga de la fuente de alimentación cuando no haya ninguna herramienta conectada.

Seguridad eléctrica



El cargador presenta un aislamiento doble; por lo tanto, no requiere conexión a tierra. Compruebe siempre que el voltaje de la red eléctrica corresponda al valor indicado en la placa de características. No intente sustituir el cargador por un enchufe convencional para la red eléctrica.

- ◆ Si se dañara el cable de alimentación, deberá ser sustituido por el fabricante o por un centro de asistencia técnica autorizado de BLACK+DECKER para evitar cualquier situación de riesgo.

¡Advertencia! No intente sustituir el cargador por un enchufe convencional para la red eléctrica.

Características

Esta herramienta tiene una o más de las siguientes características:

1. Interruptor de velocidad variable
2. Control deslizante de avance/retroceso
3. Collarín de ajuste de par
4. Portabroca sin llave
5. Cargador
- 5a. Puerto de carga
- 5b. Indicador de carga (no visible hasta que se enchufa)
6. Engranaje de dos velocidades
7. Luz de trabajo de LED

Carga de la batería (Fig. A)

Es necesario cargar la batería integral antes del primer uso y cada vez que note que no dispone de suficiente potencia para las tareas que antes realizaba con facilidad. Es posible que la batería se caliente durante la carga; esto es normal y no denota ningún problema.

¡Advertencia! No cargue la batería si la temperatura ambiente es inferior a 10 °C o superior a 40 °C. La temperatura de carga recomendada es de aproximadamente 24 °C.

Nota: El cargador no cargará la batería si la temperatura de la batería es inferior a 10 °C o superior a 40 °C aproximadamente.

Deje la batería conectada al cargador y este empezará a cargarla automáticamente cuando la temperatura de la batería aumente o disminuya.

- ◆ Introduzca el conector de carga (5) en el puerto de carga (5a).
- ◆ Conecte el conector de carga (5).
- ◆ Deje la herramienta conectada al cargador unas 4 horas.
- ◆ El indicador de carga (5b) se encenderá durante la carga.

Instrucciones de funcionamiento


Gatillo y botón de retroceso (Fig. B, C)

- ◆ El taladro se enciende y se apaga apretando y soltando el gatillo (1).
Cuanto más apriete el gatillo, mayor será la velocidad del taladro.
- ◆ Un botón de control de avance/retroceso (2) determina la dirección de la herramienta a la vez que se utiliza como botón de desbloqueo.
- ◆ Para seleccionar el giro hacia delante, suelte el gatillo y apriete el botón de control de avance/retroceso hacia la izquierda.
- ◆ Para seleccionar la dirección inversa, apriete el botón de control de avance/retroceso en el sentido contrario.
- ◆ Para bloquear la herramienta, coloque el control deslizante de avance/retroceso en la posición central.

Nota: La posición central del botón de control bloquea la herramienta en posición de apagado. Cuando cambie la posición del botón de control, compruebe que ha soltado el interruptor.

Control de torsión (fig. D)

Esta herramienta dispone de un collarín de ajuste de par (3) para seleccionar el modo de funcionamiento y ajustar el par de apriete de los tornillos. Los tornillos largos y las piezas de trabajo de materiales duros requieren un ajuste de par de torsión mayor que los tornillos pequeños y las piezas de trabajo de materiales blandos.

- ◆ Para taladrar, ajuste el collarín en el símbolo de posición de taladrado .
- ◆ Para atornillar, fije el collarín en el ajuste deseado. Si no conoce el ajuste adecuado, haga lo siguiente:
- ◆ Ajuste el collar en el ajuste de torsión más bajo.
- ◆ Apriete el primer tornillo.
- ◆ Si la herramienta se detiene antes de obtener el resultado deseado, aumente el ajuste del collarín y siga atornillando. Repita la operación hasta obtener el ajuste correcto. Utilice este ajuste para los tornillos restantes.

Portabrocas sin llave (Fig. E)

¡Advertencia! Asegúrese de que el botón de bloqueo esté bloqueado, para evitar que se active el interruptor, antes de sacar o colocar accesorios.

Para insertar una broca u otro accesorio:

- ◆ Aferre la mitad posterior del portabrocas (8) con una mano, y con la otra gire la parte delantera (9) en sentido antihorario, visto desde el extremo del portabrocas.
- ◆ Introduzca la broca u otro accesorio completamente en el portabrocas y apriételo bien sujetando la mitad posterior del portabrocas y girando la parte anterior en sentido horario, visto desde el extremo del portabrocas.

¡Advertencia! No intente apretar las brocas ni otros accesorios agarrando el portabroca por la parte delantera y encendiendo la herramienta. Al cambiar los accesorios se puede dañar el portabroca y se pueden producir lesiones personales.

Engranaje de dos velocidades (Figura F)

La función de doble velocidad del taladro le permite aumentar las velocidades para gozar de una mayor versatilidad. Para seleccionar la velocidad baja y el ajuste de par alto (posición 1), apague la herramienta y espere a que se detenga. Deslice el botón de cambio de marcha (6) alejándolo del mandril. Para seleccionar la velocidad alta y el ajuste de par bajo (posición 2), apague la herramienta y espere a que se detenga.

Vuelva a deslizar el botón de cambio de marcha hacia el mandril.

Nota: No cambie de velocidad cuando la herramienta esté en funcionamiento. Si tiene algún problema al cambiar de velocidad, compruebe que la palanca de engranajes de dos velocidades esté completamente colocada hacia delante o hacia atrás.

Taladrado/atornillado (Fig. C)

- ◆ Seleccione la rotación hacia delante o hacia atrás con el control deslizante de avance/retroceso (2).
- ◆ Para encender la herramienta, pulse el interruptor (1). La velocidad de la herramienta depende de lo lejos que presione el interruptor.
- ◆ Para apagar la herramienta, suelte el interruptor.

Consejos para un uso óptimo

Taladrado

- ◆ Utilice exclusivamente puntas de broca afiladas.
- ◆ Apoye y fije correctamente la pieza de trabajo, como se indica en las instrucciones de seguridad.
- ◆ Utilice el equipo de seguridad requerido y apropiado, como se indica en las instrucciones de seguridad.
- ◆ Cuide y mantenga el lugar de trabajo como se indica en las instrucciones de seguridad.
- ◆ Realice el taladrado muy lentamente, ejerciendo una ligera presión, hasta que el agujero sea suficientemente grande para que la broca no se deslice hacia fuera.
- ◆ Ejercer presión en línea recta con la broca. Presione lo suficiente para que la broca continúe perforando, pero no demasiado para evitar que el motor se paralice o que la broca se desvíe.
- ◆ Mantenga firmemente el taladro con las dos manos para controlar el movimiento de giro.
- ◆ **NO PULSE REITERADAMENTE EL INTERRUPTOR DE ENCENDIDO Y APAGADO DE UN TALADRO PARADO CON LA INTENCIÓN DE ACCIONARLO.**

PUEDEN PRODUCIRSE DAÑOS EN EL TALADRO

- ◆ Para reducir al mínimo las paradas durante el avance rápido, disminuya la presión y taladre lentamente la última parte del orificio.
- ◆ Mantenga el motor en funcionamiento mientras extrae la broca del orificio. De este modo, evitará que se produzcan atascos.
- ◆ Compruebe que el interruptor encienda y apague el taladro.

La unidad se apaga repentinamente.	La batería ha alcanzado la temperatura máxima. Descargada. (Para maximizar la vida útil de la batería, esta ha sido diseñada para interrumpirse repentinamente cuando se agota la carga)	Deje que la batería se enfríe. Colóquela en el cargador y déjela cargar.
------------------------------------	--	---

Perforar madera

Los orificios en la madera pueden realizarse con las mismas brocas helicoidales utilizadas para el metal o con brocas de pala.

Las brocas deben estar afiladas y es necesario extraerlas frecuentemente cuando se realizan las perforaciones con el fin de eliminar las astillas de las ranuras del taladro.

Perforar metales

Utilice un lubricante de corte cuando perforo metales.

Las excepciones son el latón y la fundición, que deberán perforarse en seco. Los lubricantes de corte que funcionan mejor son el aceite de corte sulfurizado y el aceite de manteca de cerdo.

Perforar mampostería

Para taladrar en mampostería, ajuste el collar (3) en la posición de perforación a percusión alineando el símbolo con la marca.

Mueva el selector de velocidad (6) hacia la parte frontal de la herramienta (2.ª marcha).

Atornillado

- ◆ Utilice siempre el tipo y tamaño de punta de atornillar correctos.
- ◆ Si le resulta difícil apretar los tornillos, inténtelo aplicando una pequeña cantidad de detergente o jabón como lubricante.
- ◆ Sujete siempre la herramienta y la punta de atornillar en línea recta con el tornillo.

Mantenimiento

Su herramienta BLACK+DECKER ha sido diseñada para funcionar durante un largo período de tiempo con un mantenimiento mínimo. El funcionamiento satisfactorio y continuo depende del buen cuidado de la herramienta y de una limpieza frecuente.

El cargador no requiere ningún mantenimiento especial excepto la limpieza periódica.

¡Advertencia! Desenchufe el cargador antes de llevar a cabo la limpieza o el mantenimiento de la herramienta.

- ◆ Limpie periódicamente las ranuras de ventilación de la herramienta con un cepillo suave o un paño seco.
- ◆ Limpie periódicamente la carcasa del motor con un paño húmedo. No utilice limpiadores abrasivos o a base de disolventes.

Protección del medioambiente

Recogida selectiva. Los productos y las baterías marcadas con este símbolo no se deben eliminar con los residuos domésticos normales.

Los productos y las baterías que contienen materiales que se puedan recuperar o reciclar reducen la demanda de materias primas.

Recicle los productos eléctricos y las baterías de conformidad con las normas locales.

Puede obtener más información en

www.2helpU.com

Resolución de problemas

Problema	Causa posible	Posible solución
La unidad no arranca.	La batería no está cargada.	Compruebe los requisitos de carga de la batería
La batería no se carga.	El cargador no está enchufado. La temperatura del aire circundante es demasiado caliente o demasiado fría.	Enchufe el cargador en una toma de corriente que funcione. Desplace el cargador y la batería a un lugar con temperatura ambiente superior a 40 °F (4,5 °C) o inferior a 105 °F (+40,5 °C)

Datos técnicos

		REVHD12C H1
Tensión	V _{cc}	12
Velocidad en vacío	min ⁻¹	0-350 / 0-1350 / min (RPM)
Par de torsión máximo	Nm	17,5/40
Capacidad del port-abroca	mm	1-10
Capacidad máxima de perforación		

		REVHD12C H1
Acero/madera/mam-posteria	mm	10 / 25 / 10
Peso	kg	1,0

Batería integral		
Tipo de baterías		iones de litio
AH nominales		1,5

Cargador		
S010*1400040		
Voltaje de entrada	V _{ca}	230
Voltaje de salida	V _{cc}	10,8
Corriente	mA	400 mA
Tiempo de carga aproximado	h	4

Nivel de presión acústica de acuerdo con la norma EN 62841:		
Presión acústica (L _{pa}) 84, incertidumbre (K) 5 dB(A)		
Potencia acústica (L _{wa}) 95 dB(A), incertidumbre (K) 5 dB(A)		

Valores totales de vibración (suma vectorial triaxial) de acuerdo con la directiva EN 62841:		
Taladrado de metal (a _v) 0,9 m/s ² , incertidumbre (K) 1,5 m/s ²		
Taladrado de percusión en hormigón (a _v) 17,1 m/s ² , incertidumbre (K) 1,5 m/s ²		

Declaración de conformidad CE

DIRECTIVA DE MÁQUINAS



Taladro de impacto REVHD12C

Black & Decker declara que los productos descritos en "Datos técnicos" cumplen las siguientes normas:

EN62841-1:2015, EN62841-2-1:2018+A11:2019.

Estos productos también cumplen las directivas 2006/42/CE, 2014/30/UE y 2011/65/UE. Para más información, póngase en contacto con Black & Decker a través de la siguiente dirección o consulte la contracubierta del manual.

El que suscribe es responsable de la compilación del archivo técnico y realiza esta declaración en nombre de

Black & Decker.

Patrick Diepenbach

Patrick Diepenbach
General Manager, Benelux
Black and Decker,
Egide Walschaertsstraat 14-18
2800 Mechelen, Bélgica
30/03/2022

Garantía

Black & Decker confía en la calidad de sus productos y ofrece a los consumidores una garantía de 24 meses a partir de la fecha de compra.

Esta garantía es adicional a sus derechos legales y no los menoscaba en modo alguno. La garantía es válida en los territorios de los Estados Miembros de la Unión Europea, el Área de Libre Comercio Europea y Reino Unido.

Para reclamar la garantía, deberá formular la reclamación de conformidad con las condiciones de Black & Decker, presentando el comprobante de compra al vendedor o al agente técnico autorizado.

Las condiciones de la garantía de 2 años de Black & Decker y la ubicación de su agente técnico autorizado más cercano se pueden obtener en Internet en www.2helpU.com o poniéndose en contacto con su oficina local de Black & Decker en la dirección que se indica en este manual.

Visite nuestro sitio web www.blackanddecker.co.uk para registrar su nuevo producto Black & Decker y recibir noticias sobre nuevos productos y ofertas especiales.

(Tradução das instruções originais)

Utilização pretendida

O berbequim de percussão REVHD12C da BLACK+DECKER™ foi concebido para aparafusar e perfurar madeira, metal e alvenaria. Esta ferramenta destina-se apenas a utilização doméstica.

Instruções de segurança

Avisos de segurança gerais sobre ferramentas eléctricas



Atenção! Leia todos os avisos de segurança, instruções, ilustrações e especificações

fornecidas com esta ferramenta eléctrica. O não cumprimento dos seguintes avisos e instruções pode resultar em choque eléctrico, incêndio e/ou ferimentos graves.

Guarde todos os avisos e instruções para futura referência.

O termo "ferramenta eléctrica" utilizado a seguir refere-se a ferramentas eléctricas com ligação à corrente eléctrica (com fio) ou com bateria (sem fio).

1. Segurança na área de trabalho

- a. Mantenha a área de trabalho limpa e bem iluminada.**
As áreas desorganizadas ou escuras são propensas a acidentes.
- b. Não trabalhe com ferramentas eléctricas em áreas com risco de explosão, nas quais se encontrem líquidos, gases ou poeiras inflamáveis.** As ferramentas eléctricas criam faíscas que podem inflamar estas poeiras ou vapores.

- c. **Mantenha crianças e outras pessoas afastadas durante a utilização da ferramenta eléctrica.** As distrações podem levar à perda do controlo da ferramenta.

2. Segurança eléctrica

- a. **As fichas da ferramenta eléctrica devem encaixar na tomada. Nunca modifique a ficha de forma alguma. Não utilize fichas adaptadoras com ferramentas eléctricas ligadas à terra.** As fichas não modificadas e as tomadas compatíveis reduzem o risco de choque eléctrico.
- b. **Evite que o corpo entre em contacto com superfícies ligadas à terra, como tubos, radiadores, fogões e frigoríficos.** Se o seu corpo estiver "ligado" à terra, o risco de choque eléctrico é maior.
- c. **As ferramentas eléctricas não podem ser expostas a chuva ou a humidade.** A entrada de água numa ferramenta eléctrica aumenta o risco de choque eléctrico.
- d. **Manuseie o cabo com cuidado. Nunca o utilize para transportar, puxar ou desligar a ferramenta eléctrica. Mantenha o cabo afastado de fontes de calor, substâncias oleosas, arestas afiadas ou peças móveis.**
Os cabos danificados ou emaranhados aumentam o risco de choque eléctrico.
- e. **Quando trabalhar com uma ferramenta eléctrica ao ar livre, utilize uma extensão adequada para esse fim.** A utilização de um cabo adequado para uso ao ar livre reduz o risco de choque eléctrico.
- f. **Se for inevitável trabalhar com uma ferramenta eléctrica num local húmido, utilize um dispositivo de corrente residual (DCR).** A utilização de um DDR reduz o risco de choque eléctrico.

3. Segurança pessoal

- a. **Mantenha-se atento, observe o que está a fazer e seja prudente quando trabalhar com a ferramenta eléctrica. Não utilize uma ferramenta eléctrica quando estiver cansado ou sob o efeito de drogas, álcool ou medicamentos.** Um momento de distração durante a utilização de ferramentas eléctricas pode resultar em ferimentos graves.
- b. **Utilize equipamento de protecção individual. Use sempre protecção ocular.** O equipamento de protecção, como, por exemplo, uma máscara contra o pó, sapatos de segurança antiderrapantes, um capacete de segurança ou uma protecção auditiva, utilizado nas condições adequadas, reduz o risco de ferimentos.
- c. **Evite arranques involuntários. Assegure-se de que o gatilho está desligado antes de ligar a ferramenta à corrente eléctrica e/ou as baterias e antes de levantar ou transportar a ferramenta.**

Se mantiver o dedo carregado no gatilho quando transportar ferramentas eléctricas ou se ligá-las à fonte de alimentação com o gatilho ligado, isso pode dar origem a acidentes.

- d. **Retire eventuais chaves de ajuste ou chaves de fendas antes de ligar a ferramenta eléctrica.** Uma chave de fenda ou de ajuste fixada numa peça rotativa da ferramenta eléctrica pode causar ferimentos.
- e. **Não tente chegar a pontos fora do alcance. Mantenha sempre os pés bem apoiados e um equilíbrio adequado.** Desta forma, será mais fácil controlar a ferramenta eléctrica em situações inesperadas.
- f. **Use vestuário adequado. Não use roupa larga ou jóias. Mantenha o cabelo, a roupa e as luvas afastados das peças móveis.** As roupas largas, as jóias ou o cabelo comprido podem ficar presos nestas peças.
- g. **Se for prevista a montagem de dispositivos de extracção e recolha de poeiras, assegure-se de que estão ligados e que são utilizados de forma correcta.** A utilização de dispositivos de extracção de poeiras pode reduzir os riscos inerentes.
- h. **Não permita que a experiência obtida pela utilização frequente de ferramentas faça com que seja complacente e ignore os princípios de segurança da ferramenta.**
Uma acção descuidada pode causar ferimentos graves numa fracção de segundo.
- ## 4. Utilização e manutenção da ferramenta eléctrica
- a. **Não sobrecarregue a ferramenta eléctrica. Utilize a ferramenta eléctrica correcta para o seu trabalho.** A ferramenta eléctrica adequada efectua o trabalho de maneira mais eficiente e segura se for utilizada de acordo com a capacidade para a qual foi concebida.
- b. **Não utilize a ferramenta eléctrica se não conseguir ligar ou desligar o gatilho.** Qualquer ferramenta eléctrica que não possa ser controlada através do gatilho é perigosa e tem de ser reparada.
- c. **Desligue a ficha da tomada e/ou a bateria da ferramenta eléctrica antes de proceder a ajustes, substituir acessórios ou guardar ferramentas eléctricas.** Estas medidas de segurança preventivas reduzem o risco de ligar a ferramenta eléctrica acidentalmente.
- d. **Mantenha as ferramentas eléctricas que não estiverem a ser utilizadas fora do alcance das crianças. Não permita que a ferramenta eléctrica seja utilizada por pessoas não familiarizadas com a mesma ou que não tenham lido estas instruções.** As ferramentas eléctricas são perigosas nas mãos de pessoas que não possuam as qualificações necessárias para manuseá-las.
- e. **Proceda à manutenção das ferramentas eléctricas.**

Verifique se as partes móveis estão desalinhadas ou bloqueadas, se existem peças partidas ou qualquer outra situação que possa afectar o funcionamento das ferramentas eléctricas. Se a ferramenta eléctrica estiver danificada, esta não deve ser utilizada até que seja reparada. Muitos acidentes têm como principal causa ferramentas eléctricas com uma manutenção insuficiente.

- f. **Mantenha as ferramentas de corte afiadas e limpas.** As ferramentas de corte sujeitas a uma manutenção adequada, com arestas de corte afiadas, bloqueiam com menos frequência e controlam-se com maior facilidade.
- g. **Utilize a ferramenta eléctrica, os acessórios e as peças de ferramenta, etc., de acordo com estas instruções, considerando as condições de trabalho e a tarefa a ser executada.** A utilização da ferramenta eléctrica para fins diferentes dos previstos pode resultar em situações perigosas.
- h. **Mantenha os punhos e as superfícies de prensão secos, limpos e sem qualquer óleo ou gordura.** Se o punho estiver escorregadio e as superfícies de prensão tiverem gordura, isso não permite um manuseamento e controlo seguros da ferramenta em situações inesperadas.

5. Utilização e cuidados a ter com a ferramenta com baterias

- a. Carregue apenas com o carregador especificado pelo fabricante. Um carregador adequado para um tipo de bateria pode causar um incêndio se for utilizado com outra bateria.
- b. Utilize ferramentas eléctricas apenas com baterias específicas. A utilização de outras baterias pode dar origem a risco de danos e incêndio.
- c. Quando não utilizar as baterias, mantenha-as afastadas de outros objectos metálicos, tais como cliques para papel, moedas, chaves, pregos, parafusos ou outros objectos metálicos pequenos que permitam fazer a ligação de um terminal para outro. O curto-circuito de terminais das baterias pode causar queimaduras ou incêndio.
- d. Em condições abusivas, pode derramar líquido da bateria, devendo evitar o contacto. Se tocar acidentalmente no líquido, lave bem com água. Se o líquido entrar em contacto com os olhos, consulte um médico. O líquido derramado da bateria pode causar irritação ou queimaduras.
- e. Não utilize uma bateria ou uma ferramenta que esteja danificada ou tenha sido modificada. As baterias danificadas ou modificadas podem ter um comportamento imprevisível, podendo dar origem a um incêndio, explosão ou risco de ferimentos.
- f. Não exponha a bateria ou a ferramenta ao fogo ou a temperatura excessiva.

A exposição ou uma temperatura superior a 130 °C pode dar origem a uma explosão.

Nota: A temperatura "130 °C" pode ser substituída pela temperatura "265 °F".

- g. Siga todas as instruções de carga e não carregue a bateria ou a ferramenta fora da gama de temperaturas especificadas nas instruções.
Se a carga não for efectuada correctamente ou se a temperaturas não estiverem de acordo com o limite especificado, a bateria pode ficar danificada e há um maior risco de incêndio.
- 6. Assistência
 - a. A sua ferramenta eléctrica só deve ser reparada por pessoal qualificado e só devem ser colocadas peças sobresselentes originais. Desta forma, é garantida a segurança da ferramenta eléctrica.
 - b. Nunca repare baterias danificadas. A reparação das baterias só deve ser efectuada pelo fabricante ou por fornecedores de assistência autorizados.

Instruções de segurança para todas as operações

- **Use protecção auricular quando efectuar perfurações de impacto.** A exposição ao ruído pode causar perda auditiva.
- **Segure a ferramenta eléctrica apenas pelas superfícies de pega isoladas, quando efectuar uma operação em que o acessório de corte possa entrar em contacto com fios ocultos.** O acessório de corte que entre em contacto com um fio com tensão eléctrica pode fazer com que as peças de metal expostas da ferramenta conduzam electricidade e electrocutem o utilizador.

Avisos de segurança adicionais para ferramentas eléctricas



Atenção! Avisos de segurança adicionais para berbequins/aparafusadoras/martelos de perfuração.

- Utilize grampos ou outro sistema para fixar e apoiar a peça numa plataforma estável. Segurar a peça com a mão ou contra o corpo pode causar instabilidade e perda de controlo.
- Os acessórios e a ferramenta podem ficar quentes durante a operação. Use luvas quando os utilizar se efectuar aplicações de produção de calor, como perfuração de metais.
- As saídas de ventilação frequentemente obstruem as peças em movimento e devem ser evitadas. As roupas largas, jóias ou o cabelo comprido podem ficar presos nas peças móveis.

- Use óculos de segurança ou outra protecção ocular. As operações de batimento com o martelo ou de perfuração podem causar a projecção de aparas. As partículas projectadas podem causar danos oculares permanentes.
- Use protecção auricular quando efectuar perfurações de impacto. A exposição ao ruído pode causar perda auditiva.
- Utilize o(s) punho(s) auxiliar(es), caso tenha(m) sido fornecido(s) com a ferramenta. A perda de controlo pode causar lesões pessoais.
- Não utilize esta ferramenta durante longos períodos de tempo. A vibração causada pela acção do martelo pode ser prejudicial às suas mãos e braços. Use luvas para proporcionar uma protecção adicional e limite a exposição, fazendo pausas frequentes.

Instruções de segurança quando utilizar brocas compridas

- ◆ **Nunca utilize a ferramenta a uma velocidade mais elevada do que a velocidade nominal máxima da broca.** A velocidades mais elevadas, a broca pode ficar dobrada se rodar livremente sem tocar na peça, podendo causar ferimentos.
- ◆ **Inicie sempre a perfuração a uma velocidade reduzida e com a ponta da broca em contacto com a peça.** A velocidades mais elevada, a broca pode ficar dobrada se rodar livremente sem tocar na peça, podendo causar ferimentos.
- ◆ **Aplique pressão apenas em linha recta com a broca e não aplique pressão excessiva.** As brocas podem ficar dobradas e causar rotura ou perda de controlo, bem como ferimentos.

Segurança de terceiros

- ◆ Esta ferramenta não deve ser utilizada por pessoas (incluindo crianças) que apresentem capacidades físicas, sensoriais ou mentais reduzidas ou que não possuam os conhecimentos e a experiência necessários, excepto se forem vigiadas e instruídas acerca da utilização do equipamento por uma pessoa responsável pela sua segurança.
- ◆ As crianças devem ser vigiadas para que não mexam no equipamento.

Riscos residuais

Podem surgir riscos residuais adicionais durante a utilização da ferramenta, que podem não constar nos avisos de segurança incluídos. Estes riscos podem resultar de má utilização, uso prolongado, etc.

Mesmo que as regulamentações de segurança relevantes sejam cumpridas e os dispositivos de segurança sejam implementados, alguns riscos residuais não podem ser evitados. Estes incluem:

- ◆ Ferimentos causados pelo contacto com peças em rotação/movimento.
- ◆ Ferimentos causados durante a troca de peças, lâminas ou acessórios.
- ◆ Ferimentos causados pela utilização prolongada de uma ferramenta. Se utilizar uma ferramenta durante períodos prolongados, certifique-se de que faz pausas com frequência.
- ◆ Danos auditivos.
- ◆ Problemas de saúde causados pela inalação de poeiras resultantes da utilização da ferramenta (exemplo: trabalhos em madeira, especialmente carvalho, faia e MDF).

Vibração

Os valores da emissão de vibração declarados na secção de dados técnicos e na declaração de conformidade foram medidos de acordo com o método de teste padrão fornecido pela EN62841 e podem ser utilizados para comparar ferramentas.

O valor de emissão de vibração declarado pode ainda ser utilizado numa avaliação preliminar de exposição.

Atenção! O valor da emissão de vibração durante a utilização real da ferramenta eléctrica pode ser diferente do valor declarado, dependendo da forma como a ferramenta é utilizada. O nível de vibração pode aumentar acima do nível indicado.

Quando avaliar a exposição da vibração para determinar as medidas de segurança exigidas pela Directiva 2002/44/CE para proteger pessoas que utilizem com frequência ferramentas eléctricas na sua actividade profissional, deve ser considerada uma estimativa da exposição à vibração, as condições reais de utilização e o modo de utilização da ferramenta, incluindo ainda todas as partes do ciclo de funcionamento, como os períodos de inactividade e espera da ferramenta, além do tempo de funcionamento.

Etiquetas colocadas na ferramenta

Os seguintes pictogramas, assim como o código de data, estão indicados na ferramenta:



Atenção! Para reduzir o risco de ferimentos, o utilizador deve ler o manual de instruções.



Não olhe fixamente para a luz de funcionamento

Instruções de segurança importantes para todas as ferramentas com bateria integrada

Atenção! Leia todos os avisos de segurança, instruções e avisos na bateria, carregador e produto.

O não seguimento dos avisos e das instruções poderá resultar em choque eléctrico, incêndio e/ou ferimentos graves.

- ◆ Nunca insira a ficha do carregador na ferramenta com demasiada força.
- ◆ NÃO modifique a ficha de um carregador não compatível para encaixá-la na ferramenta, porque a bateria pode rebentar e causar ferimentos graves.
- ◆ NÃO carregue ou utilize a bateria em áreas com risco de explosão, nas quais se encontrem líquidos, gases ou poeiras.
A colocação ou remoção da ficha do carregador da ferramenta pode incendiar as poeiras ou os vapores.
- ◆ Carregue a bateria apenas com o cabo de carga fornecido e uma fonte de alimentação de classe 2 adequada.
- ◆ NÃO salpique ou coloque a bateria dentro de água.
- ◆ NÃO permita a entrada de água ou líquidos na ferramenta.
- ◆ NÃO armazene ou utilize a ferramenta em locais onde a temperatura possa atingir ou exceder 40 °C (tais como barracões ao ar livre ou construções de metal durante o Verão). Para uma maior duração das ferramentas, armazene-as num local fresco e seco.
- ◆ Não guarde a ferramenta com o interruptor ligado. Nunca coloque o interruptor na posição ligada.
- ◆ NÃO incinere a ferramenta, mesmo que apresente danos graves ou esteja totalmente gasta. A bateria pode explodir se for colocada numa fogueira.
Quando as baterias de íões de lítio são queimadas, são produzidos vapores e materiais tóxicos.
- ◆ Se o conteúdo da bateria entrar em contacto com a pele, lave a área de imediato com sabão suave e água. Se o líquido da bateria entrar em contacto com os olhos, enxágue os olhos abertos com água durante 15 minutos ou até a irritação passar. Se for necessário contactar um médico, o electrólito da bateria é composto por uma mistura de carbonetos orgânicos líquidos e sais de lítio.
- ◆ O conteúdo da bateria aberta pode causar irritação nas vias respiratórias. Respire ar fresco. Se os sintomas o permitirem, consulte um médico.
- ◆ O líquido da bateria pode ser inflamável se estiver exposto a faíscas ou chamas.
- ◆ Nunca abra a ferramenta, seja qual for o motivo.
Se a caixa da ferramenta apresentar fendas ou danos, não carregue a bateria. Não esmague, deixe cair ou danifique a ferramenta.
Não utilize uma ferramenta ou um carregador que tenha sofrido um golpe brusco, uma queda, atropelamento ou danificada de algum modo (por exemplo, perfurada por um prego, atingida com um martelo ou pisada). As ferramentas danificadas devem ser devolvidas ao centro de assistência para reciclagem.

Recomendações de armazenamento

A unidade deve ser armazenada num local seco e fresco, afastado de luz solar directa e excesso de calor ou frio. Armazene a ferramenta totalmente carregada e desligada do carregador.

Transporte

Nota: As ferramentas de íões de lítio integradas não devem ser despachadas como carga em aviões e devem estar bem protegidas contra curto-circuito caso transportá-la consigo a bordo.

Instruções de segurança importantes para todas as ferramentas com bateria integrada

Atenção! Leia todos os avisos de segurança, instruções e avisos na bateria, cabo de carregamento e produto. O não seguimento dos avisos e das instruções poderá resultar em choque eléctrico, incêndio e/ou ferimentos graves.

- ◆ O cabo de carregamento fornecido não foi concebido para qualquer utilização que não seja carregar ferramentas recarregáveis BLACK+DECKER com entradas de micro-carregamento. O carregamento de outros tipos de ferramentas podem fazer com que as baterias fiquem sobreaquecidas e rebentem, resultando em ferimentos, danos materiais, incêndio, choque eléctrico ou electrocussão.
- ◆ NÃO exponha o cabo de carregamento a água, chuva ou neve.
- ◆ Quando desligar o cabo de carregamento, puxe pelas fichas em vez do cabo de carregamento. Isto reduz o risco de danos nas fichas e no cabo.
- ◆ O cabo deve ser colocado nessa posição, para que não seja pisado, não tropeçarem no cabo ou ficar sujeito a danos ou esforço.
- ◆ Quando carregar a ferramenta no exterior, escolha sempre um local seco.
- ◆ NÃO utilize um cabo de carregamento com um cabo ou fichas danificadas. Substitua-os de imediato.
- ◆ Materiais estranhos de natureza condutora, tais como, mas não limitados a, pó polido, aparas de metal, lâ de aço, papel de alumínio ou qualquer acumulação de partículas metálicas devem ser mantidos afastados das fichas e entrada de carregamento e micro-carregamento.
- ◆ Desligue sempre o cabo de carregamento da fonte de alimentação quando não estiver inserido numa ferramenta.

Segurança eléctrica



O carregador tem isolamento duplo. Por esse motivo, não necessita de ligação à terra. Verifique sempre se a tensão de alimentação corresponde à tensão indicada na placa sinalética. Nunca substitua a unidade do carregador por uma tomada de alimentação normal.

- ◆ Se o cabo de alimentação estiver danificado, tem de ser substituído pelo fabricante ou por um centro de assistência autorizado da BLACK+DECKER para evitar acidentes.

Atenção! Nunca substitua a unidade do carregador por uma tomada de alimentação normal.

Componentes

Esta ferramenta inclui algumas ou todas as seguintes funções:

1. Botão de velocidade variável
2. Corrediça de avanço/recuo
3. Anel de ajuste do binário
4. Mandril sem chave
5. Carregador
- 5a. Entrada de carga
- 5b. Indicador de carga (só é visível depois de ser ligado)
6. Alavanca de dupla amplitude
7. Luz de trabalho LED

Carregar a bateria (Fig. A)

A bateria integrada tem de ser carregada antes da primeira utilização e sempre que não conseguir produzir potência suficiente em trabalhos feitos anteriormente sem dificuldade. As baterias podem aquecer durante o carregamento. Isto é normal e não indica um problema.

Atenção! Não carregue a bateria a temperaturas ambiente inferiores a 10 °C ou superiores a 40 °C. Temperatura de carregamento recomendada: aproximadamente 24 °C.

Nota: O carregador não carrega a bateria se a temperatura das células for inferior a 10 °C ou superior a 40 °C.

A bateria integrada deve ficar ligada ao carregador para que este comece a carregar automaticamente quando a temperatura das células aquecer ou arrefecer.

- ◆ Insira o conector de carga (5) na porta de carregamento (5a).
- ◆ Ligue o conector de carga (5).
- ◆ Deixe a ferramenta ligada no carregador durante cerca de 4 horas.
- ◆ O indicador de carregamento (5b) acende-se durante o processo de carga.

Instruções de funcionamento


Gatilho e botão de recuo (Fig. B, C)

- ◆ Para ligar e desligar o berbequim, carregue e liberte o gatilho (1). Quanto mais premir o gatilho, maior será a velocidade da aparafusadora.
- ◆ O botão de controlo para a frente/para trás (2) determina a direcção da ferramenta e serve igualmente como botão de desbloqueio.
- ◆ Para seleccionar a rotação de avanço, solte o gatilho e pressione o botão de controlo de avanço/recuo para a esquerda.
- ◆ Para seleccionar a rotação de recuo, pressione o botão de controlo de avanço/recuo na direcção oposta.
- ◆ Para bloquear a ferramenta, coloque o botão deslizante de avanço/recuo na posição central.

Nota: A posição central do botão de controlo bloqueia a ferramenta na posição Desligar. Se alterar a posição do botão de controlo, certifique-se de que liberta o gatilho.

Controlo de binário (fig. D)

Esta ferramenta é fornecida com um botão de ajuste de binário (3) para seleccionar o modo de funcionamento e definir o binário para apertar parafusos. Parafusos grandes e materiais duros requerem uma regulação de binário mais elevada do que parafusos pequenos e materiais mais macios.

- ◆ Para perfurar, coloque o botão na posição com o símbolo de perfuração .
- ◆ Para apertar parafusos, coloque o botão na posição pretendida. Se ainda não souber qual a posição adequada, proceda da seguinte forma:
- ◆ Coloque o botão na posição de binário mínimo.
- ◆ Aperte o primeiro parafuso.
- ◆ Se o mecanismo forçar antes de atingir o resultado desejado, aumente a posição do botão e continue a apertar o parafuso. Repita até atingir a regulação correcta. Utilize esta regulação para os restantes parafusos.

Mandril sem chave (Fig. E)

Atenção! Certifique-se de que o botão de desbloqueio está na posição correcta para impedir a activação accidental do gatilho, antes de instalar ou retirar os acessórios.

Para inserir uma broca ou outro acessório:

- ◆ Segure a parte posterior do mandril (8) com uma mão e utilize a outra mão para rodar a parte da frente (9) no sentido contrário ao dos ponteiros do relógio, da perspectiva da extremidade do mandril.
- ◆ Insira completamente a broca ou outro acessório no mandril e aperte com firmeza, mantendo premida a metade traseira do mandril e rodando a parte dianteira na direcção dos ponteiros do relógio, da perspectiva da extremidade do mandril.

Atenção! Não aperte brocas (ou qualquer outro acessório) segurando a parte frontal do mandril e rodando a ferramenta. Pode danificar o mandril ou provocar ferimentos ao trocar acessórios.

Alavanca de dupla amplitude (Fig. F)

A função de duas velocidades do berbequim permite mudar de velocidade para uma maior versatilidade. Para seleccionar a velocidade reduzida, definição de binário elevado (posição 1), desligue a ferramenta e aguarde até parar. Faça deslizar o botão de mudança de velocidade (6) no sentido oposto ao do mandril.

Para seleccionar a velocidade alta, definição de binário baixo (posição 2), desligue a ferramenta e permita que a mesma pare.

Faça deslizar o botão de mudança de velocidade na direcção do mandril.

Nota: não mude de velocidade quando a ferramenta estiver em funcionamento. Se tiver dificuldade em mudar de velocidade, verifique se o botão de mudança de velocidade dupla está totalmente empurrado para a frente ou para trás

Perfurar/aparafusar (Fig. C)

- ◆ Seleccione a rotação de avanço ou recuo utilizando o botão deslizante de avanço/recuo (2).
- ◆ Para ligar a ferramenta, prima o interruptor para ligar/desligar (1).

A velocidade da ferramenta depende da intensidade da pressão no botão.

- ◆ Para desligar a ferramenta, solte o gatilho.

Sugestões para uma utilização óptima

Perfuração

- ◆ Utilize apenas brocas afiadas.
- ◆ Apoie e fixe a peça correctamente, de acordo com as instruções de segurança.
- ◆ Utilize equipamento de segurança adequado e necessário, de acordo com as instruções de segurança.
- ◆ Apoie e fixe a área de trabalho, de acordo com as instruções de segurança.
- ◆ Coloque o berbequim a funcionar lentamente, até o furo ser iniciado o suficiente para impedir que a broca deslize.
- ◆ Aplique pressão em linha recta com a broca. Aplique pressão suficiente para manter a broca a perfurar e para não encravar o motor ou desviar a broca.
- ◆ Segure o berbequim com firmeza, com ambas as mãos, para controlar a sua acção de torção.
- ◆ **NÃO PRESSIONE O GATILHO DE UM BERBEQUIM BLOQUEADO PARA TENTAR O ARRANQUE. PODEM OCORRER DANOS NO BERBEQUIM**

- ◆ Minimize o encravarmento na abertura do orifício, reduzindo a pressão e perfurando devagar na última porção do orifício.
- ◆ Mantenha o motor em funcionamento enquanto puxa a broca para fora de um orifício efectuado. Isto ajudará a reduzir o encravarmento.
- ◆ Certifique-se de que o interruptor liga e desliga o berbequim.

Perfurar madeira

Os furos na madeira podem ser efectuados com as mesmas brocas utilizadas para perfurar metal ou com brocas espada. Estas brocas deverão estar afiadas e devem ser retiradas do furo frequentemente, quando em utilização para limpar lascas das ranhuras.

Perfurar em metal

Utilize um lubrificante de corte para perfuração de metais. As excepções incluem ferro fundido e latão, que devem ser perfurados a seco. O lubrificante de corte mais adequado é o óleo de corte sulfurado ou o óleo de banha

Perfurar em pedra

Para perfurar pedra, coloque o botão (3) na posição de perfuração de martelo, alinhando o símbolo com a marca. Deslize o selector de velocidade (6) para a parte da frente da ferramenta (2.ª posição).

Aparafusar

- ◆ Utilize sempre o tipo e tamanho de pontas para aparafusadora correctos.
- ◆ Se tiver dificuldade em apertar os parafusos, aplique uma pequena quantidade de líquido de lavagem ou sabão como lubrificante.
- ◆ Segure sempre a ferramenta e a broca da aparafusadora em linha recta com o parafuso.

Resolução de problemas

Problema	Causa possível	Possível solução
A unidade não é iniciada.	A bateria não está carregada.	Verifique os requisitos para carregar a bateria
A bateria não irá ser carregada.	Carregador não ligado. A temperatura de ar circundante é demasiado quente ou fria.	Ligue o carregador à tomada. O carregador deve estar a uma temperatura de ar circundante superior a 45 °C ou inferior a 40,5 °C.
A unidade desliga-se de maneira abrupta.	A bateria atingiu o limite térmico máximo. Sem carga. (Para maximizar a duração da bateria, esta foi concebida para desligar-se de maneira abrupta quando a carga ficar esgotada)	Deixe a bateria arrefecer. Instale o carregador e aguarde até o equipamento estar carregado.

Manutenção

A ferramenta BLACK+DECKER foi concebida para funcionar durante muito tempo com um mínimo de manutenção.

Uma utilização continuamente satisfatória depende de uma manutenção adequada da ferramenta e de uma limpeza frequente.

Além da limpeza frequente, o carregador não necessita de manutenção.

Atenção! Desligue o carregador antes de efectuar qualquer tarefa de limpeza ou manutenção na ferramenta.

- ◆ Limpe regularmente as aberturas de ventilação da ferramenta com uma escova suave ou um pano seco.
- ◆ Limpe com frequência o compartimento do motor com um pano húmido. Não utilize produtos de limpeza abrasivos ou à base de dissolventes.

Protecção do ambiente



Faça uma recolha de lixo selectiva. Os produtos e as baterias assinalados com este símbolo não devem ser eliminados juntamente com o lixo doméstico normal.

Os produtos e as baterias contêm materiais que podem ser recuperados ou reciclados, reduzindo assim a necessidade de matérias-primas.

Recicle os produtos eléctricos e as baterias de acordo com as disposições locais.

Estão disponíveis mais informações em www.2helpU.com

Dados técnicos

		REVHD12C H1
Tensão	V _{cc}	12
Velocidade sem carga	min ⁻¹	0 - 350/0 - 1350/min (RPM)
Binário máx.	Nm	17,5/40
Capacidade do mandril	mm	1 - 10
Capacidade máx. de perfuração		
Aço/madeira/alvenaria	mm	10/25/10
Peso	kg	1,0

Bateria integrada		
Tipo de bateria		lões de lítio
Classificação AH		1,5

		S010*1400040
Tensão de entrada	V _{ca}	230
Tensão de saída	V _{cc}	10,8
Corrente	mA	400 mA
Tempo de carga aprox.	h	4

Nível de pressão sonora de acordo com a norma EN 62841:

Pressão sonora (L_{pa}): 84, variabilidade (K): 5 dB(A)

Potência sonora (L_{wa}): 95 dB(A), variabilidade (K): 5 dB(A)

Valores totais de vibração (valores totais de vibração) de acordo com a norma EN 62841:

Perfurar em metal (a_v): 0,9 m/s², variabilidade (K): 1,5 m/s²

Perfuração por impacto em betão (a_h): 17,1 m/s², variabilidade (K): 1,5 m/s²

Declaração de conformidade CE

DIRECTIVA "MÁQUINAS"



Furadeira de impacto REVHD12C

A Black & Decker declara que os produtos descritos nos "dados técnicos" estão em conformidade com:

EN62841-1:2015, EN62841-2:2018+A11:2019.

Estes produtos estão também em conformidade com as directivas 2006/42/CE, 2014/30/UE e 2011/65/UE. Para obter mais informações, contacte a Black & Decker através da morada indicada a seguir ou consulte o verso do manual.

O abaixo-assinado é responsável pela compilação do ficheiro técnico e faz esta declaração em nome da

Black & Decker.

Patrick Diepenbach

Patrick Diepenbach
Director-Geral, Benelux
Black and Decker,
Egide Walschaertsstraat 14-18
2800 Mechelen, Bélgica
30/03/2022

Garantia

A Black & Decker confia na qualidade dos seus produtos e oferece aos clientes uma garantia de 24 meses a partir da data de compra.

Esta garantia é um complemento dos seus direitos estabelecidos por lei, não os prejudicando de forma alguma. A garantia é válida nos territórios dos Estados-membros da União Europeia, da Zona Europeia de Comércio Livre e no Reino Unido.

Para accionar a garantia, esta deve estar em conformidade com os termos e condições da Black & Decker e terá de apresentar comprovativos de compra ao vendedor ou a um técnico de reparação autorizado.

Os termos e condições da garantia de 2 anos da Black & Decker e a localização do agente de reparação autorizado mais próximo podem ser obtidos na Internet em www.2helpU.com ou contactando uma filial da Black & Decker, cuja morada está indicada neste manual.


Visite o nosso Website www.blackanddecker.co.uk para registar o novo produto Black & Decker e manter-se atualizado relativamente a novos produtos e ofertas especiais.

Avsedd användning

Denna BLACK+DECKER™ REVHD12C-slagborrmaskin är avsedd för skruvdragning och bormning i trä, metall och plast. Detta verktyg är endast avsett för konsumentbruk.

Säkerhetsinstruktioner

Allmänna säkerhetsanvisningar för elverktyg

 **Varning! Läs igenom alla säkerhetsvarningar, instruktioner, illustrationer och specifikationer som levereras med detta elverktyg.** Fel som uppstår till följd av att varningarna och instruktionerna som listas nedan inte följts kan orsaka elstöt, brand och/eller allvarliga kroppsskador.

Spara alla säkerhetsföreskrifter och anvisningar för framtida bruk. Begreppet "Elverktyg" i alla varningar som listas nedan avser nätdrivna elverktyg (med nätsladd) och batteridrivna elverktyg (sladdlösa).

1. Säkerhet på arbetsplatsen

- Se till att arbetsområdet är rent och väl belyst.** Belamrade och mörka områden inbjuder till olyckor.
- Använd inte elverktyget i explosionsfarlig omgivning, t.ex. i närheten av brännbara vätskor, gaser eller damm.** Elverktyg skapar gnistor som kan antända damm eller ångor.
- Håll barn och åskådare på avstånd vid arbete med elverktyget.** Distractioner kan göra att du förlorar kontrollen.

2. Elsäkerhet

- Elverktygets stickkontakt måste passa i eluttaget. Modifiera aldrig kontakten på något sätt. Använd inga adapterkontakter tillsammans med jordade elverktyg.** Icke modifierade kontakter och passande uttag minskar risken för elektrisk stöt.
- Undvik kroppskontakt med jordade ytor, t.ex. rör, värmeelement, spisar och kylskåp.** Det finns en ökad risk för elektrisk stöt om din kropp är jordansluten eller jordad.

- Utsätt inte elverktyget för regn eller våta omgivningar.** Vatten som kommer in i ett elverktyg ökar risken för elektrisk stöt.
 - Misshandla inte nätsladden. Använd aldrig sladden för att bära, dra eller koppla bort elverktyget från uttaget. Håll sladden borta från värme, olja, skarpa kanter eller rörliga delar.** Skadade eller tilltrasslade sladdar ökar risken för elektrisk stöt.
 - Använd en förlängningsladd som lämpar sig för utomhusbruk när du arbetar med elverktyg utomhus.** Användning av en sladd som är lämplig för utomhusbruk minskar risken för elektriska stötar.
 - Om du måste använda ett elverktyg på en fuktig plats, bör du använda en strömförsörjning med jordfelsbrytare.** Användning av en jordfelsbrytare minskar risken för elektrisk stöt.
- ### 3. Personlig säkerhet
- Var uppmärksam, se på vad du gör och använd sunt omdöme när du använder elverktyget.** Använd inte ett elverktyg när du är trött eller påverkad av droger, alkohol eller mediciner. Ett ögonblicks uppmärksamhet när du arbetar med elektriska verktyg kan leda till allvarliga personskador.
 - Använd personlig skyddsutrustning. Använd alltid skyddsglasögon.** Skyddsutrustning såsom dammfilterskydd, hals säkra säkerhetsskor, skyddshjälm eller hörselskydd som används för lämpliga förhållanden minskar personskador.
 - Förhindra oavsiktlig start. Kontrollera att strömbrytaren står i avstängt läge innan du ansluter verktyget till elnätet eller sätter i batteriet, samt innan du tar upp eller bär verktyget.** Att bära elektriska verktyg med fingret på strömbrytaren eller att koppla strömmen till elektriska verktyg när strömbrytaren är på leder till olyckor.
 - Ta bort alla inställningsverktyg och skruvnycklar innan du startar elverktyget.** Ett verktyg eller en nyckel som har lämnats kvar på en roterande del av det elektriska verktyget kan orsaka kroppsskador.
 - Sträck dig inte för mycket. Ha ordentligt förfäste och balans hela tiden.** Detta möjliggör bättre kontroll av elverktyget i oväntade situationer.
 - Bär lämpliga kläder. Bär inte lösa kläder eller smycken. Håll hår, beklädnad och handskar borta från delar i rörelse.** Lösa kläder, smycken eller långt hår kan fastna i rörliga delar.
 - Om enheten har dammsugnings- och uppsamlingsutrustning, se till att den är ansluten och används på korrekt sätt.** Användning av dammuppsamling kan minska dammrelaterade risker.

h. Låt inte självförtroende från regelbunden användning av verktyget orsaka oaksamhet eller underlåtenhet att följa

verktygets säkerhetsprinciper. En oförsiktig handling kan orsaka allvarigt skada inom loppet av en bräkdels sekund.

4. Användning och skötsel av elverktyg

a. Överbelasta inte elverktyget. Använd rätt elverktyg för ditt arbete. Det korrekta elverktyget gör arbetet bättre och säkrare vid den hastighet för vilket det konstruerades.

b. Använd inte elverktyget om det inte kan startas och stängas av med strömbrytaren. Ett elverktyg som inte kan kontrolleras med strömbrytaren är farligt och måste repareras.

c. Dra stickproppen ur vägguttaget och/eller ta ut batteriet ur elverktyget innan inställningar görs, tillbehör byts ut eller elverktyget ställs undan. Sådana förebyggande säkerhetsåtgärder minskar risken att oavsiktligt starta elverktyget.

d. Förvara elverktyg utom räckhåll för barn och låt inte personer som är ovana vid elverktyget eller som inte läst denna bruksanvisning använda det. Elverktyg är farliga i händerna på ovana användare.

e. Underhålla elverktyg och tillbehör. Kontrollera att rörliga komponenter fungerar felfritt och inte kärvar, att komponenter inte gått sönder eller skadats och inget annat föreligger som kan påverka elverktygets funktion. Om det är skadat, se till att elverktyget blir reparerat före användning. Många olyckor orsakas av dåligt underhållna elektriska verktyg.

f. Håll skärande verktyg vassa och rena. Korrekt underhållna kapverktyg med vassa skär är mindre troliga att de fastnar och är lättare att kontrollera.

g. Använd elverktyg, tillbehör, bits m.m. enligt dessa anvisningar, samtidigt som arbetsförhållandena och det arbete som ska utföras beaktas. Användning av elverktyget för andra uppgifter än vad som avsetts kan resultera i farliga situationer.

h. Håll handtagen och greppytorna torra, rena och fria från olja och fett. Hala handtag och greppytor förhindrar säker hantering och kontroll av verktyget i oväntade situationer.

5. Användning och skötsel av batteridrivet verktyg

- a. Ladda endast med den laddare som är specificerad av tillverkaren. En laddare som passar en batterityp kan medföra brandrisk om den används ihop med ett annat batteri.
- b. Använd endast de batteri som är speciellt avsedda för elverktyget. Användning av andra batteripaket kan leda till personsador eller eldsvåda.

- c. När batteriet inte används ska du hålla det åtskilt från metallföremål som gem, mynt, nycklar, spik, skruvar och andra små metallföremål som kan orsaka kortslutning mellan batteriets poler. Kortslutning av batteripolerna kan leda till brännskador eller eldsvåda.
- d. Under olämpliga förhållanden kan vätska spruta ut från batteriet. Undvik kontakt. Vid oavsiktlig kontakt, spola med vatten. Om vätskan kommer i kontakt med ögonen, sök också läkarhjälp. Vätska som sprutar ur batteriet kan orsaka sveda och brännskador.
- e. Använd inte batteri eller verktyg som är skadade eller modifierade. Skadade eller modifierade batterier kan uppträda oväntat och det kan resultera i brand, explosion eller skador.
- f. Utsätt inte batteripaket eller verktyg för brand eller höga temperaturer. Exponering för brand eller temperatur över 130 °C kan orsaka explosion.

OBS: Temperaturen "130 °C" kan ersättas med temperaturen "265 °F".

g. Följ laddningsinstruktionerna och ladda inte batteriet eller verktyget utanför det temperaturområde som specificeras i instruktionerna. Felaktig laddning eller vid temperaturer utanför den specificerade området kan skada batteriet och öka risken för brand.

6. Service

- a. Låt en kvalificerad reparatör som bara använder identiska reservdelar utföra service på elverktyget. Detta säkerställer att elverktygets säkerhet bibehålls.
- b. Gör aldrig service på skadade batterier. Service på batteri skall endast utföras av tillverkaren eller auktoriserad servicepersonal.

Säkerhetsinstruktioner för all verksamhet

- **Använd hörselskydd vid slagborrning.** Att utsättas för buller kan leda till hörselskador.
- **Håll elverktyget i de isolerade handtagen när arbeten utförs där sågtillbehöret kan komma i kontakt med dolda strömförande ledningar.** Kapitillbehör som kommer i kontakt med en strömförande ledning kan göra att exponerade metalldelar hos elverktyget blir strömförande och kan ge användaren en elektrisk stöt.

Ytterligare säkerhetsanvisningar för elverktyg



Varning! Ytterligare specifika säkerhetsregler för bormaskiner/skruvdragare/slagbormaskiner.

- Använd klämmor eller något annat praktiskt sätt att säkra och stödja arbetsstycket vid ett stabilt underlag. Att hålla arbetet för hand eller mot kroppen är instabilt och kan göra att du förlorar kontrollen.

- Tillbehör och verktyg kan bli heta under arbetet. Använd handskar vid hantering om arbete görs som producerar hetta såsom borrar i metall.
- Luftventiler täcker ofta rörliga delar och bör undvikas. Lösa kläder, smycken eller långt hår kan fastna i rörliga delar.
- Använd skyddsglasögon eller annat ögonskydd. Slagborring och borrar arbeten kan göra att flisor flyger omkring. Flygande partiklar kan orsaka permanenta ögonskador.
- Använd hörselskydd vid slagborring. Att utsättas för buller kan leda till hörselskador.
- Använd hjälphandtag om de medföljer verktyget. Tappad kontroll kan orsaka personskador.
- Arbeta inte med verktyget under långa perioder. Vibrationer som orsakas av slagverktygets arbete kan vara skadligt för dina händer och armar. Använd handskar för att få extra stötdämpning och begränsa exponeringen genom att ta regelbundna pauser.
- ◆ Skador som orsakas av långvarig användning av ett verktyg. Se till att regelbundet ta vilopausar när du använder ett verktyg under en längre period.
- ◆ Hörselnedsättning.
- ◆ Hälsorisker orsakade av inandning av damm när redskapet används (exempel: arbete med trä, särskilt ek, bok och MDF)

Vibrationer

De vibrationsvärden som anges i avsnitten Tekniska data och deklarationen om överensstämmelse har uppmätts i enlighet med en standardtestmetod föreskriven i EN62841 och kan användas för jämförelse med andra verktyg. Det angivna vibrationsvärdet kan även användas för en preliminär bedömning av exponeringen.

Varning! Vibrationsvärdet under faktisk användning av elverktyget kan skilja sig från det uppgivna värdet beroende på hur verktyget används. Vibrationsnivån kan överstiga den uppgivna nivån.

Vid uppskattningar av exponering för vibrationer i syfte att bedöma vilka säkerhetsåtgärder som är nödvändiga enligt 2002/44/EG för att skydda personer som regelbundet använder elverktyg i arbetet ska man utgå från de faktiska omständigheter under vilka elverktyget används och sättet på vilket det används. Bedömningen ska även ta hänsyn till alla moment i arbetscykeln, t.ex. när verktyget är avstängt och när det går på tomgång såväl som när det faktiskt används.

Etiketter på verktyget

Följande symboler tillsammans med datumkoden är synliga på verktyget:



Varning! Läs bruksanvisningen före användning för att minska risken för personskador.



Titta inte direkt in i arbetslampan

Säkerhetsinstruktioner när du använder långa borrar

- ◆ **Kör aldrig med högre hastighet än borrbitens maximala hastighet.** Vid högre hastigheter kommer biten troligen att böjas om den får rotera fritt utan att komma i kontakt med arbetsstycket, vilket kan resultera i personskada.
- ◆ **Börja alltid borra med låg hastighet och med bitspetsen i kontakt med arbetsstycket.** Vid högre hastigheter kommer biten troligen att böjas om den får rotera fritt utan att komma i kontakt med arbetsstycket, vilket kan resultera i personskada.
- ◆ **Tryck endast i direkt linje med biten och applicera inte för högt tryck.** Bits kan böjas och orsaka brott eller förlust av kontroll, vilket kan leda till personskada.

Säkerhet för andra

- ◆ Verktyget ska inte användas av personer (inklusive barn) med nedsatt fysisk eller mental förmåga eller bristande erfarenhet och kunskap om de inte får vägledning och övervakas av en person som ansvarar för deras säkerhet.
- ◆ Barn bör övervakas för att garantera att de inte leker med apparaten.

Återstående risker

Ytterligare risker som inte finns med i de bifogade säkerhetsanvisningarna kan uppstå när verktyget används. Dessa risker kan uppstå vid felaktig eller långvarig användning, etc.

Även om alla relevanta säkerhetsanvisningar följs och säkerhetsanordningar används kan vissa ytterligare risker inte undvikas. Dessa omfattar:

- ◆ Skador orsakade av kontakt med roterande/rörliga delar.
- ◆ Skador som uppstår vid byte av delar, blad eller tillbehör.

Viktiga säkerhetsanvisningar för alla integrerade batteriverktyg

Varning! Läs alla säkerhetsvarningar, instruktioner och varningsmärkningar för batteriet, laddaren och produkten. Underlåtenhet att följa varningarna och instruktionerna kan resultera i elektrisk stöt, eldsvåda och/eller allvarlig personskada.

- ◆ Använd aldrig våld för att sätta in en laddkontakt i verktyget.
- ◆ Modifiera INTE en icke-kompatibel laddningskabel på något sätt så att den passar i en verktyget då batteriet kan brista och orsaka allvarliga personskador.

- ◆ Ladda INTE eller använd i explosiv atmosfär, såsom i närheten av brännbara vätskor, gaser eller damm. Isättning och borttagning av laddarkabeln från verktyget kan antända dammet eller ångorna.
- ◆ Ladda endast batteriet med den medföljande laddningskabeln och en lämplig klass 2-strömkälla.
- ◆ Skvätt ALDRIG vatten på apparaten eller sänk ned den i vatten.
- ◆ Låt INTE vatten eller vätska komma in i verktyget.
- ◆ Förvara eller använd INTE enheten på platser där temperaturen kan nå upp till eller överstiga 40 °C (såsom skjul utomhus eller metallklädda byggnader sommartid). För optimal livslängd, förvara på en sval och torr plats.
- ◆ Förvara inte verktyget med brytaren på i låst läge. Tejpa aldrig en strömbrytare i påslaget läge.
- ◆ Bränn INTE batteriet, även om det är svårt skadat och helt utslitet. Batteriet kan explodera i elden. Giftiga ångor och giftigt material bildas under förbränning av litiumjonbatterier.
- ◆ Om batteriets innehåll kommer i kontakt med huden, tvätta omedelbart av det berörda området med vatten och mild tvål. Om batterivätska kommer in i ögonen, skölj med vatten över öppet öga i 15 minuter eller tills irritationen upphört. Om medicinsk omsorg behövs består batterielektrolyten av en blandning av flytande organiska karbonater och litiumsalter.
- ◆ Innehållet i öppnade battericeller kan ge upphov till andningsirritation. Sörj för god luftväxling. Om symptomen kvarstår, uppsök läkare.
- ◆ Batterivätska är lättantändlig om den utsätts för gnistor eller öppen eldslåga.
- ◆ Försök aldrig att öppna verktyget av någon anledning. Ladda inte om verktygshuset är sprucket eller skadat. Krossa inte, tappa eller skada verktyget. Använd inte ett verktyg eller USB-kabel som fått en kraftig stöt, tappats, körts över eller skadats på något annat sätt (t.ex. genomborrats av en spik, träffats av en hammare, klivits på). Ett skadat verktyg ska returneras till servicecentret för återvinning.

Förvaringsrekommendationer

Det är bäst om förvaringsplatsen är sval och torr och skyddas från direkt solljus och kraftig värme eller kyla. Förvara det fulladdade verktyget bortkopplat från laddaren.

Transport

OBS: Integrerade litiumjonverktyg bör inte placeras i incheckat bagage på flygplan och måste skyddas ordentligt från kortslutning om de finns i handbagage.

Viktiga säkerhetsanvisningar för alla integrerade batteriverktyg

Varning! Läs alla säkerhetsvarningar, instruktioner och varningsmärkningar för batteriet, laddar kabeln och produkten. Underlåtenhet att följa varningarna och instruktionerna kan resultera i elektrisk stöt, eldsvåda och/eller allvarlig personskada.

- ◆ Den medföljande laddningskabeln är inte avsedd för annat bruk än att ladda uppladdningsbara BLACK+DECKER-verktyg med mikro- laddningsportar. Laddning av andra typer av verktyg kan göra att deras batterier överhettas och spricker, vilket kan leda till personskador, skador på egendom, brand eller elstötar.
- ◆ Exponera INTE laddningskabeln för vatten, regn eller snö.
- ◆ Dra i pluggarna snarare än i sladden när du kopplar bort laddningskabeln. Detta kommer att minska risken för skador på den elektriska kontakten och sladden.
- ◆ Se till att sladden placeras så att ingen går på den, snubblar på den eller att den på annat sätt riskerar att skadas.
- ◆ När du laddar verktyget utomhus ska du alltid se till att det är på en torr plats.
- ◆ Använd INTE laddningskabeln med en skadad sladd eller kontakt. Låt dem bytas ut omedelbart.
- ◆ Främmande föremål som är ledande såsom, men inte begränsat till, slipdamm, metallspån, stålull, aluminiumfolie eller ansamling av metallpartiklar bör hållas borta från laddar- och mikroladdarkontakter och portar.
- ◆ Koppla alltid ur laddningskabeln från strömförsörjningen när det inte finns något verktyg anslutet till den.

Elsäkerhet



Eftersom laddaren är dubbelisolerad behövs ingen jordledare. Kontrollera alltid att nätspänningen överensstämmer med spänningen på typskylten. Försök aldrig byta ut laddaren mot en vanlig nätkontakt.

- ◆ Om nätsladden är skadad måste den bytas ut av tillverkaren eller en auktoriserad BLACK+DECKER-verkstad för att undvika farliga situationer.

Varning! Försök aldrig byta ut laddaren mot en vanlig nätkontakt.

Funktioner

Detta verktyg har några eller samtliga av följande funktioner:

1. Variabel hastighetskontroll
2. Framåt-/bakåttreglage
3. Vridmomentreglage
4. Snabbchuck
5. Laddare
- 5a. Laddningsuttag
- 5b. Laddningsindikator (syns inte förrän den är ansluten)
6. Hastighetsväljare med två lägen
7. LED-arbetslampa

Ladda batteriet (bild A)

Det inbyggda batteriet måste laddas innan det används för första gången och sedan varje gång som det inte ger tillräckligt hög effekt för arbeten som annars brukar gå bra. Batteriet kan bli varmt när det laddas. Det är normalt och innebär inte att något är fel.

Varning! Ladda inte batteriet om temperaturen i luften är lägre än 10 °C eller högre än 40 °C. Den rekommenderade laddningstemperaturen är cirka 24 °C.

OBS: Laddaren laddar inte batteriet om celltemperaturen är lägre än ungefär 10 °C eller högre än 40 °C.

Det inbyggda batteriet får då sitta kvar i laddaren, som kommer att börja laddningen automatiskt när celltemperaturen har stigit eller sjunkit.

- ◆ Sätt i laddarkontakten (5) i laddningsuttaget (5a).
- ◆ Anslut laddarkontakten (5).
- ◆ Låt verktyget vara anslutet till laddaren i 4 timmar.
- ◆ Laddningsindikator (5b) kommer att lysa under laddningen.

Användaranvisningar


Avtryckare och backknapp (bild B, C)

- ◆ Borrmaskinen slås på och stängs av genom att genom att trycka på och släppa avtryckaren (1).
Ju längre strömbrytaren trycks in desto högre hastighet hos borrmaskinen.
- ◆ Med framåt-/bakåtknappen (2) väljer man verktygets riktning (höger-/vänstergång). Knappen fungerar även som låsknapp.
- ◆ För att välja framåtrörelsen släpper du strömbrytaren och flyttar framåt-/bakåtknappen åt vänster.
- ◆ För att välja bakåtrörelsen flyttar du framåt-/bakåtknappen åt andra hållet.
- ◆ Läs verktyget genom att sätta framåt-/bakåtreglaget i mittenläget.

OBS: Den mittersta positionen låser verktyget i avstängt läge. Vid byte av position av kontrollknappen se till att avtryckaren är släppt.

Vridmomentkontroll (bild D)

Detta verktyg är utrustat med en inställningsring (3) för att välja driftläge och inställning av vridmomentet vid skruvdragning. Stora skruvar och dragning av skruvar i hårda material kräver ett högre vridmoment än små skruvar och mjuka material.

- ◆ Vid borrning i trä, metall och plast vrids du ringen till läget med borsymbolen .
- ◆ Vid skruvdragning vrids du ringen till önskat läge. Om du inte vet vilket läge du ska välja gör du så här:
- ◆ Ställ in ringen på det lägsta vridmomentet.
- ◆ Dra åt den första skruven.

- ◆ Om kopplingen slår ifrån innan önskat resultat är uppnått ökar du ringinställningen och fortsätter att dra åt skruven. Upprepa tills du hittat rätt inställning. Använd denna inställning för de återstående skruvarna.

Nyckelfri chuck (bild E)

Varning! Innan du sätter i eller tar ut batterierna ska du kontrollera att låsreglaget är i låst läge, så att du inte råkar sätta på verktyget av misstag.

Så här monterar du en borrbits eller annat tillbehör:

- ◆ Ta tag i bakre halvan av chucken (8) med en hand och använd den andra handen till att vrida främre halvan (9) motsols (verktyget sett från chuckänden).
- ◆ Sätt i bitsen eller annat tillbehör helt i chucken och dra åt ordentligt genom att vrida chucken medurs såsom visas från chuckänden.

Varning! Försök inte sätta fast borrbits (eller något annat tillbehör) genom att gripa tag i främre delen av chucken och sätta igång verktyget. Personskador eller skador på chucken kan uppstå om tillbehör byts på detta sätt.

Hastighetsväljare med två lägen (fig. F)

Den här bormaskinen har två olika hastighetslägen, vilket gör den mer flexibel. För att välja en låg hastighet och högt vridmoment (position 1), stäng av verktyget och vänta tills det stannat. Skjut tillbaka hastighetsväljarknappen (6) bort från chucken.

För att välja en hög hastighet och lågt vridmoment (position 2), stäng av verktyget och vänta tills det stannat. Skjut hastighetsväljaren framåt mot chucken.

OBS: Om du har problem med att växla, se till att hastighetsväljarknappen är tryckt antingen helt framåt eller helt bakåt

Borrning/skruvdragning (fig. C)

- ◆ Välj framåt- eller bakåtgående rörelse genom att använda framåt-/bakåtreglaget (2).
- ◆ Starta verktyget genom att trycka på strömbrytaren (1). Verktygets hastighet beror på hur långt du trycker in strömbrytaren.
- ◆ Stäng av verktyget genom att släppa upp strömbrytaren.

Tips för optimal användning

Borrning

- ◆ Använd endast vassa bitsar.
- ◆ Stöd och fäst arbetsstycket ordentligt såsom instrueras i säkerhetsinstruktionerna.
- ◆ Använd lämplig och den säkerhetsutrustning som krävs såsom instrueras i säkerhetsinstruktionerna.
- ◆ Säkra och håll arbetsområdet såsom instrueras i säkerhetsinstruktionerna.

- ◆ Kör borren mycket sakta, använd lätt tryck tills hålet är tillräckligt stort för att hålla kvar borrbiten.
- ◆ Tryck i bitsens riktning. Tryck tillräckligt hårt för att bitsen ska borra, men inte så hårt att motorn stannar eller bitsen böjer sig.
- ◆ Håll borren ordentligt med båda händerna så att du kan hålla emot verktygets vridande rörelse.
- ◆ OM BORREN STANNAR SKA DU INTE FÖRSÖKA STARTA DEN IGEN GENOM ATT TRYCKA IN OCH SLÄPPA STRÖMBRYTAREN UPPREPADE GÅNGER. DETTA KAN SKADA BORRMASKINEN
- ◆ Minska risken för att borren stannar vid genomborring genom att minska trycket och borra sakta den sista biten.
- ◆ Låt motorn vara igång medan du drar ut bitsen ur hålet. Då minskar risken för att verktyget kör fast.
- ◆ Se till att avtryckaren startar och stänger av bormaskinen.

Batteriet går inte att ladda.	Laddaren är inte ansluten till elnätet. Omgivande temperatur är för varm eller för kall.	Anslut laddaren till ett fungerande elnät. Flytta laddaren och batteriet till en plats där temperaturen i den omgivande luften är över 4,5 °C eller under +40,5 °C.
Enheten stängs av plötsligt.	Batteriet har nått dess maximala termiska gräns. Slut på laddning. (För att maximera livslängden på batteriet är det designat att stängas av plötsligt när laddningen är slut.)	Låt batteriet svalna. Placera på laddare och ladda.

Borra i trä

Man kan borra i trä med samma borrbits som används för metallborring eller med borrar med sidoskär. Använd välslipade bits och dra ut dem med jämna mellanrum under borringen för att rensa bort spån från spåren.

Borra i metall

Använd smörjolja vid borring i metall. Undantaget är gjutjärn och mässing som bör borraras torrt. Sulfurerad skärolja och isterolja fungerar bäst

Borra i betong

Vid borring i murverk vrider du ringen (3) till slagborrläget genom att passa in symbolen med markeringen. Skjut hastighetsväljaren (6) mot främre delen av verktyget (2:a växeln).

Skruvdragning

- ◆ Använd alltid skruvbits av rätt sort och storlek.
- ◆ Om en skruv är svår att dra åt kan du använda lite diskmedel eller tvål som smörjmedel.
- ◆ Håll alltid verktyget och skruvbitsen i en rät linje i förhållande till skruven.

Felsökning

Problem	Möjlig orsak	Möjlig lösning
Enheten startar inte.	Batteriet är inte laddat.	Se till att batteriet är ordentligt laddat

Underhåll

Detta BLACK+DECKER-verktyg har konstruerats för att fungera under lång tid med ett minimum av underhåll. Kontinuerlig tillfredsställande drift är beroende av ordentlig verktygsvård och regelbunden rengöring. Laddaren behöver inget annat underhåll än regelbunden rengöring.

Varning! Koppla loss laddaren innan du utför något underhåll på eller rengör verktyget.

- ◆ Rengör regelbundet ventilationsöppningarna i verktyget med en mjuk borste eller torr trasa.
- ◆ Rengör motorhöljet regelbundet med en fuktig trasa. Använd aldrig något slipande eller lösningsmedelsbaserat rengöringsmedel.

Skydda miljön



Separat insamling. Produkter och batterier som är markerade med denna symbol får inte kastas i de vanliga hushållssoporna.

Produkter och batterier innehåller material som kan återanvändas eller återvinnas för att minska behovet av råmaterial.

Återvinn elektriska produkter och batterier enligt lokala föreskrifter. Mer information finns tillgänglig på www.2helpU.com

Tekniska data

REVHD12C H1		
Spänning	V _{DC}	12
Obelastat varvtal	min ⁻¹	0-350 / 0-1350 /min (RPM)
Max vridmoment	Nm	17,5/40
Chuckkapacitet	mm	1-10
Maximal borkkapacitet		
Stål/trä/murverk	mm	10 / 25 / 10
Vikt	kg	1,0

Inbyggt batteri		
Batterityp		Li-jon
Ah-märkning		1,5

Laddare		S010*1400040
Inspänning	V _{AC}	230
Utspänning	V _{DC}	10,8
Strömstyrka	mA	400 mA
Laddningstid cirka	h	4

Ljudtrycksnivå enligt EN 62841:

Ljudtryck (L_{pa}) 84, osäkerhet (K) 5 dB(A)
Ljudtryck (L_{wA}) 95 dB(A), osäkerhet (K) 5 dB(A)

Totala vibrationsvärden (vektorsumman av tre axlar) enligt EN 62841:

Borning i metall (a_v) 0,9 m/s², osäkerhet (K) 1,5 m/s²
Slagborring i betong (a_v) 17,1 m/s², osäkerhet (K) 1,5 m/s²

EG-försäkran om överensstämmelse

MASKINDIREKTIVET



REVHD12C - Slagborr

Black & Decker försäkrar att dessa produkter, beskrivna under "tekniska data" uppfyller:

EN62841-1:2015, EN62841-2-1:2018+A11:2019.

Dessa produkter överensstämmer även med direktivene 2006/42/EG, 2014/30/EU and 2011/65/EU. Mer information får du genom att kontakta Black & Decker på följande adress eller titta i slutet av bruksanvisningen.

Undertecknad är ansvarig för sammanställningen av den tekniska filen och lämnar denna deklaration på uppdrag av

Black & Decker .

Patrick Diepenbach
General Manager, Benelux
Black and Decker,
Egide Walschaertsstraat 14-18
2800 Mechelen, Belgien
2022-03-30

Garanti

Black & Decker är säker på kvaliteten hos denna produkt och erbjuder kunder 24 månaders garanti från inköpsdatumet. Denna garanti är ett tillägg till dina lagstadgade rättigheter och påverkar inte dessa på något sätt. Garantin är giltig i de områden som tillhör medlemsstaterna i Europeiska unionen, det europeiska frihandelsområdet samt Storbritannien. För yrkande under garantin måste yrkandet vara i enlighet med Black & Deckers villkor och du kommer att behöva skicka in bevis på köpet till försäljaren eller en auktoriserad reparatör.

Villkoren för Black & Deckers tvååriga garanti och var du hittar din närmaste auktoriserade reparatör kan erhållas på internet på www.2helpU.com, eller genom att kontakta ditt lokala Black & Deckers kontor på adressen som anges i denna manual. Besök vår webbplats www.blackanddecker.se för att registrera din nya Black & Decker-produkt samt för att få information om nya produkter och specialerbjudanden.

(Översettelse av de opprinnelige instruksjonene)

NORSK

Tiltenkt bruk

Denne BLACK&DECKER™ REVHD12C slagboremaskin er designet for skrutrekking og for boring i tre, metall og mur. Dette verktøyet er bare ment som et forbrukerverktøy.

Sikkerhetsanvisninger

Generelle sikkerhetsadvarsler for elektroverktøy



Advarsel! Les alle sikkerhetsanvisninger, instruksjoner, illustrasjoner og spesifikasjoner som følger dette elektriske verktøyet. Hvis advarslene og anvisningene nedenfor ikke overholdes, kan det medføre elektrisk støt, brann og/eller alvorlige personskader.

Ta vare på alle advarsler og instruksjoner for fremtidig bruk. Uttrykket "elektroverktøy" i alle advarslene nedenfor gjelder for strømdrevne elektroverktøy (med ledning) og batteridrevne elektroverktøy (uten ledning).

1. Sikkerhet i arbeidsområdet

- Hold arbeidsområdet rent og godt opplyst.** Rotete eller mørke områder er en invitasjon til ulykker.
- Ikke arbeid med elektroverktøy i eksplosjonsfarlige omgivelser, for eksempel der det befinner seg brennbare væsker, gass eller støv.** Elektrisk verktøy skaper gnister som kan antenne støv eller gasser.
- Hold barn og andre personer unna når du bruker et elektroverktøy.** Distraksjoner kan føre til at du mister kontrollen.

2. Elektrisk sikkerhet

- Støpselet til verktøyet må passe til stikkkontakten. Aldri modifier støpselet på noen måte. Ikke bruk adapterstøpsler til jordede elektriske verktøy.** Umodifiserte støpsler og stikkontakter som passer vil redusere risikoen for elektrisk sjokk.
- Unngå kroppskontakt med jordede overflater som rør, radiatorer, komfyrer og kjøleskap.** Det er økt risiko for elektrisk støt dersom kroppen din er jordnet.
- Ikke utsett elektroverktøy for regn eller fuktighet.**

Dersom det kommer vann inn i et elektrisk verktøy vil det øke risikoen for elektrisk sjokk.

- d. **Unngå uforsvarlig behandling av ledningen. Aldri bruk ledningen til å bære, trekke eller dra ut støpselet til det elektriske verktøyet. Hold ledningen borte fra varme, olje, skarpe kanter eller bevegelige deler.** Skadede eller innviklede ledninger øker risikoen for elektrisk sjokk.
 - e. **Når du bruker et elektroverktøy utendørs, må du bruke en skjøteledning som er egnet til utendørs bruk.** Bruk av en skjøteledning beregnet for utendørs bruk reduserer risikoen for elektrisk støt.
 - f. **Hvis du ikke kan unngå å bruke elektroverktøy på et fuktig sted, må du bruke en strømforsyning som er beskyttet med jordfeilbryter (RCD).** Bruk av jordfeilbryter (RCD) reduserer risikoen for elektrisk støt.
3. **Personlig sikkerhet**
 - a. **Vær oppmerksom, pass på hva du gjør, og vis fornuft når du arbeider med et elektroverktøy.** Ikke bruk et elektrisk verktøy dersom du er trøtt eller er påvirket av medikamenter, narkotika eller alkohol. Ett øyeblikks uoppmerksomhet under bruk av elektriske verktøy kan føre til alvorlig personskade.
 - b. **Bruk personlig verneutstyr. Bruk alltid vernebriller.** Verneutstyr slik som støvmaske, skisikre vernesko, hjelm, eller hørselsvern brukt under passende forhold vil redusere personskader.
 - c. **Forhindre utilsiktet start. Kontroller at bryteren står i posisjon «av» før du kobler til strømkilden og/eller batteripakken, og før du tar opp eller bærer verktøyet.** Å bære elektriske verktøy med fingeren på bryteren eller å sette inn støpselet mens elektriske verktøy har bryteren på øker faren for ulykker.
 - d. **Fjern eventuelt innstillingsverktøy eller skruverktøy før du slår på elektroverktøyet.** Et skruverktøy eller en nøkkel som fortsatt er festet til en roterende del av elektroverktøyet, kan føre til personskade.
 - e. **Ikke strekk deg for langt. Ha godt fofeste og stå støtt hele tiden.** Dette fører til at du har bedre kontroll over det elektriske verktøyet ved uventede situasjoner.
 - f. **Bruk egnede klær. Ikke ha på deg løstsittende klær eller smykker. Hold hår, antrekk og hansker borte fra bevegelige deler.** Løstsittende klær, smykker og langt hår kan bli fanget opp av bevegelige deler.
 - g. **Hvis det kan monteres støvavsug- og oppsamlingsinnretninger, må du forvisse deg om at disse er tilkoblet og brukes på riktig måte.** Bruk av støvoppsamlere kan redusere støvrelaterte farer.
 - h. **Ikke la din erfaring fra hyppig bruk av verktøyer la deg bli likegyldig og ignorere sikkerhetsprinsipper for verktøyene.**

En uforsiktig handling kan føre til alvorlige personskader på brøkdelen av et sekund.

4. Bruk og stell av elektriske verktøy

- a. **Ikke bruk makt på elektroverktøyet. Bruk det elektriske verktøyet som situasjonen krever.** Det riktige elektriske verktøyet vil gjøre jobben bedre og tryggere ved den hastigheten det ble konstruert for.
 - b. **Ikke bruk elektroverktøyet hvis du ikke kan slå det på og av med bryteren.** Ethvert elektrisk verktøy som ikke kan kontrolleres med bryteren er farlig og må repareres.
 - c. **Trekk støpselet ut av stikkkontakten og/eller koble fra batteripakken på elektroverktøyet før du utfører innstillinger, bytter tilbehør eller legger elektroverktøyet bort for lagring.** Slike preventive sikkerhetsforanstaltninger reduserer risikoen for å starte det elektriske verktøyet ved et uhell.
 - d. **Elektroverktøy som ikke er i bruk, må oppbevares utilgjengelig for barn. Ikke la verktøyet bli brukt av personer som ikke er fortrolige med det, eller som ikke kjenner disse instruksjonene.** Elektriske verktøy er farlige i hendene på utrenede brukere.
 - e. **Sørg for vedlikehold av elektroverktøy og tilbehør. Undersøk om bevegelige deler er feiljustert eller blokkert, om deler er skadet, og om det er andre forhold som kan påvirke elektroverktøyets funksjon. Dersom det er skadet, få verktøyet reparert før neste bruk.** Mange ulykker forårsakes av dårlig vedlikeholdte verktøy.
 - f. **Hold skjæreverktøy skarpe og rene.** Godt vedlikeholdte skjæreverktøy med skarpe skjærekanten setter seg mindre sannsynlig fast og er lettere å kontrollere.
 - g. **Bruk elektroverktøy, tilbehør, bor osv. i henhold til disse instruksjonene. Ta hensyn til arbeidsforholdene og arbeidet som skal utføres.** Bruk av det elektriske verktøyet for oppgaver som er forskjellige fra de som er tiltenkt kan føre til en farlig situasjon.
 - h. **Hold håndtakene og gripeflatene tørre, rene og frie for olje og fett.** Glatte håndtak og gripeflater forhindrer trygg håndtering og kontroll av verktøyet i uventede situasjoner.
5. **Bruk og stell av batteriverktøy**
 - a. Ladingen skal bare skje med den laderen som produsenten har spesifisert. En lader som passer for en type batteripakke kan føre til risiko for brann dersom den brukes på en annen batteripakke.
 - b. Bruk elektroverktøy bare sammen med spesifikt angitte batteripakker. Bruk av andre batteripakker kan føre til risiko for personskade og brann.

- c. Når batteripakken ikke er i bruk, må du oppbevare den atskilt fra andre metallgjenstander som binders, mynter, nøkler, spiker, skruer eller andre små metallgjenstander som kan opprette en forbindelse fra en terminal til en annen. Kortslutning av batteripolene mot hverandre kan føre til brannskader eller brann.
 - d. Ved feilaktig bruk kan det komme væske ut av batteriet, unngå kontakt med den. Dersom du kommer i kontakt med den, skyll av med vann. Dersom du får væske i øynene, søk legehjelp. Væske som kommer ut av batteriet kan føre til irritasjon eller brannskader.
 - e. Batteripakke eller verktøy som er skadet eller modifisert skal ikke brukes. Batterier som er skadet eller modifisert kan ha uventet oppførsel og føre til brann, eksplosjon eller personskafer.
 - f. Batteripakken skal ikke utsettes for brann eller for høy temperatur. Eksponering for brann eller temperaturer over 130 °C kan føre til eksplosjon.
- Merk: Temperaturen "130 °C" kan erstattes av temperaturen "265 °F".
- g. Følg alle ladeinstruksjoner og ikke lade batteripakken eller verktøyet utenfor temperaturområdet som angitt i bruksanvisningen. Feil lading eller ved temperaturer utenfor det angitt området kan skade batteriet og øke faren for brann.

6. Service

- a. Elektroverktøyet skal repareres av kvalifisert personell og bare med originale reservedeler. Dette vil sikre at verktøyet sikkerhet blir ivaretatt.
- b. Skadede batteripakker skal aldri repareres. Service på batteripakker skal kun utføres av produsenten eller autoriserte serviceverksteder.

Sikkerhetsinstruksjoner for all bruk

- **Bruk hørselsvern ved slagboring.** Å bli utsatt for støy kan forårsake hørselstap.
- **Hold det elektriske verktøyet kun i isolerte gripeoverflater når du utfører operasjoner hvor skjæreverktøyet kan komme i kontakt med skjulte ledninger.** Kapping av en strømførende ledning kan føre til at eksponerte metalldele på elektroverktøyet blir strømførende, og kan gi operatøren støt.

Ytterligere sikkerhetsadvarsler for elektroverktøy



Advarsel! Ekstra sikkerhetsregler spesielt for boremaskin/trekker/slagboremaskin.

- Bruk klemmer eller en annen praktisk måte å feste og støtte arbeidsstykket på en stabil plattform. Å holde arbeidsstykket i hendene eller mot kroppen er ustabil og kan føre til at du mister kontroll.

- Tilbehør og verktøy kan bli varme under bruk. Bruk hansker ved håndtering dersom det utføres arbeid som genererer varme, som boring i metall.
- Luftehull dekker ofte bevegelige dele og skal unngås. Løstsittende klær, smykker og langt hår kan bli fanget opp av bevegelige dele.
- Bruk vernebriller eller annen øyebeskyttelse. Hammer- og boreoperasjoner gjør at fliser flyr gjennom luften. Flyvende partikler kan forårsake permanent øyeskade.
- Bruk hørselsvern ved slagboring. Å bli utsatt for støy kan forårsake hørselstap.
- Bruk hjelpehåndtakene dersom de leveres med verktøyet. Å miste kontroll kan forårsake personskafer.
- Bruk ikke dette verktøyet i lange perioder. Vibrasjon forårsaket av verktøyet kan skade hendene og armene. Bruk hansker for å gi ekstra polstring og begrense risikoen ved å hvile ofte.

Sikkerhetsinstruksjoner ved bruk av lange bor

- ◆ **Bruk aldri ved høyere hastigheter enn maks hastighet for boret.** Ved høyere hastigheter er det en sjanse for at boret bøyer seg hvis den roterer fritt uten kontakt med arbeidsstykket, og kan føre til personskafer.
- ◆ **Start alltid å bore ved lav hastighet, og med enden av boret i kontakt med arbeidsstykket.** Ved høyere hastigheter er det en sjanse for at boret bøyer seg hvis den roterer fritt uten kontakt med arbeidsstykket.
- ◆ **Påfør kun trykk i en rett linje med boret, og trykk ikke for hardt.** Boret kan bli bøyd eller ødelagt, eller det kan føre til tap av kontroll eller personskafer.

Andre personers sikkerhet

- ◆ Det er ikke meningen at dette verktøyet skal brukes av personer (inkludert barn) med reduserte fysiske, sensoriske eller mentale evner, eller personer som mangler erfaring og kunnskap, med mindre de har mottatt oppfølging eller instruksjon når det gjelder bruken av apparatet, fra en person som er ansvarlig for deres sikkerhet.
- ◆ Barn må holdes under oppsyn, sørg for at de ikke leker med apparatet.

Restrisikoer

Når verktøyet brukes, kan det oppstå ytterligere risikoer som kanskje ikke er beskrevet i de medfølgende sikkerhetsadvarslene. Disse risikoene kan bli forårsaket av feil bruk, langvarig bruk osv.

Selv om de relevante sikkerhetsbestemmelsene blir fulgt, og sikkerhetsiltakene blir gjennomført, kan visse gjenværende risikoer ikke unngås. Disse inkluderer:

- ◆ Personskafer som forårsakes av berøring av en roterende/bevegelig del.

- ◆ Personskader som forårsakes av at en del, et blad eller tilbehør endres.
- ◆ Personskader som forårsakes av langvarig bruk av et verktøy. Når du bruker et verktøy i lange perioder, må du sørge for å ta regelmessige pauser.
- ◆ Hørselskader.
- ◆ Helsefarer som skyldes innånding av støv som dannes når du bruker verktøyet (for eksempel under arbeid med tre, spesielt eik, bøk og MDF.)

Vibrasjon

Vibrasjonsemisjonsverdien som er angitt under tekniske data og samsvarserklæring, er blitt målt i henhold til en standard testmetode som er angitt i EN62841 og kan brukes til å sammenligne et verktøy med et annet.

Den oppgitte vibrasjonsemisjonsverdien kan også brukes til en foreløpig vurdering av eksponering.

Advarsel! Vibrasjonsemisjonsverdien under faktisk bruk av elektroverktøyet kan avvike fra den oppgitte verdien avhengig av måten verktøyet blir brukt på. Vibrasjonsnivået kan øke over nivået som er oppgitt.

Når det vurderes vibrasjonseksponering for å avgjøre hvilke sikkerhetstiltak som kreves ifølge 2002/44/EF, for å beskytte personer som bruker elektroverktøy regelmessig til arbeidsformål, skal det, når vibrasjonseksponeringen anslås, tas hensyn til de faktiske bruksforholdene og måten verktøyet blir brukt på. Dette inkluderer å ta hensyn til alle deler av brukssyklusen, for eksempel når verktøyet er avslått, når det går på tomgang og når utløseren er trykket inn.

Etiketter på verktøyet

De følgende symbolene sammen med datokode vises på apparatet:



Advarsel! Brukeren må lese håndboken for å redusere risikoen for personskade.



Ikke se direkte på lampen når den er på

Viktige sikkerhetsinstruksjoner for alle verktøy med integrert batteri

Advarsel! Les alle sikkerhetsvarsler, instruksjoner og advarsler for batteriet, laderen og produktet. Manglende overholdelse av advarelsene og instruksjonene kan resultere i elektrisk sjokk, brann og/eller alvorlig skade.

- ◆ Tving ikke ladestøpelet inn i verktøyet.
- ◆ IKKE modifierer et ladestøpelet på en ikke-kompatibel lader på noen måte for å få det til å passe i verktøyet, da batteriet kan sprekke og føre til personskader.

- ◆ IKKE lade eller bruk batteriet i eksplosive omgivelser, slik som i nærheten av brennbare væsker, gasser eller støv. Innsetting eller uttak av ladestøpelet på verktøyet kan antenne støvet eller gassen.
- ◆ Lad kun batteriet med den medfølgende ladekabelen og en passende strømkilde av klasse 2.
- ◆ IKKE sprut på eller senke ned i vann eller andre væsker.
- ◆ IKKE la vann eller annen væske komme inn i verktøyet.
- ◆ IKKE lagre eller bruk batteriet på steder der temperaturen kan nå eller overstige 40 °C (104 °F) (som skur eller metallbygg om sommeren). For best levetid, lagre på et kjølig tørt sted.
- ◆ Ikke lagre verktøyet mens bryteren er i låst-på stilling. Ikke prøv å låse bryteren i stillingen PÅ.
- ◆ IKKE brenn verktøyet selv om det er alvorlig skadet eller helt utslitt. Batteriet kan eksplodere i brann. Giftige gasser og materialer dannes dersom lithium-ion batterier brennes.
- ◆ Dersom batteriets innhold kommer i kontakt med huden, vask området straks med mildt såpevann. Dersom du får batterivæske i øyet, skylt øyet med vann i 15 minutter eller til irritasjonen gir seg. Dersom det trengs medisinsk hjelp, informer om at batteriets elektrolytt består av organiske karbonater og lithiumsalter.
- ◆ Innholdet av et åpent batteri kan føre til irritasjon av pusteoranene. Sørg for frisk luft. Dersom symptomene vedvarer, søk legehjelp.
- ◆ Batterivæskan kan være brennbar dersom den utsettes for gnister eller flammer.
- ◆ Forsøk aldri å åpne verktøyet, uansett grunn. Dersom verktøyet er sprukket eller skadet, ikke lad opp. Ikke knus, slipp i gulvet eller skade verktøyet. Ikke bruk et verktøy eller lader som har fått et slag, er mistet i gulvet, påkjørt eller skadet på annen måte (f.eks. gjennomboret av en spiker, slått med hammer, tråkket på). Skadede verktøy skal leveres til servicesenteret for gjenvinning.

Anbefalinger for lagring

Det beste lagringsstedet er kjølig og tørt, uten direkte sollys og uten sterk kulde eller varme.
Lagre fullt oppladet verktøy frakoblet laderen.

Transport

Merk: Verktøy med integrerte Li-ion batterier skal ikke sendes i innsjekkert bagasje og skal beskyttes ordentlig mot kortslutning dersom de tas med i håndbagasjen på fly.

Viktige sikkerhetsinstruksjoner for alle verktøy med integrert batterilading

Advarsel! Les alle sikkerhetsvarsler, instruksjoner og advarsler for batteriet, kablen og produktet. Manglende overholdelse av advarelsene og instruksjonene kan resultere i elektrisk sjokk, brann og/eller alvorlig skade.

- ◆ Den medfølgende ladekabelen er ikke ment for annen bruk enn lading av BLACK+DECKER ladbare verktøy med micro ladeporter. Lading av andre typer verktøy kan føre til at batteriene overoppvarmes og sprekker, som kan føre til personskader, materielle skader og elektrisk støt med alvorlige følger.
- ◆ IKKE utsett ladekabelen for vann, regn eller snø.
- ◆ Trekk i støpselet og ikke i kabelen når du skal koble fra ladekabelen. Dette reduserer faren for skade på pluggen og kabelen.
- ◆ Påse at kabelen er plassert slik at den ikke trækkes på, snubles i, eller på annen måte utsettes for skade eller påkjenning.
- ◆ Finn alltid et tørt sted dersom du må lade verktøyet utendørs.
- ◆ IKKE bruk ladekabelen dersom ledningen eller støpselet er skadet. Få den straks skiftet ut.
- ◆ Fremmedlegemer av ledende art som, men ikke begrenset til, slipestøv, metallspån, aluminiumsfolie, og enhver oppbygging av metallpartikler skal holdes unna ladebrytere, micro ladebrytere og ladeport.
- ◆ Trekk alltid ut ladekabelen fra strømforsyningen når den ikke er koblet til et verktøy.

Elektrisk sikkerhet



Denne laderen er dobbeltisolert. Jording er derfor ikke nødvendig. Kontroller alltid at nettspenningen er i overensstemmelse med spenningen på typeskiltet. Ikke skift ut laderen med et vanlig nettstøpsel.

- ◆ Hvis strømledningen blir skadet, må den byttes av produsenten eller et autorisert BLACK+DECKER-servicecenter for å unngå fare.

Advarsel! Ikke skift ut laderen med et vanlig nettstøpsel.

Funksjoner

Dette verktøyet inneholder enkelte av eller alle funksjonene nedenfor:

1. Bryter for variabel hastighet
 2. Glidebryter for fremover/bakover
 3. Momentjusteringskrage
 4. Nøkkeløst chuck
 5. Lader
- 5a. Ladeport
5b. Ladeindikator (ikke synlig før innsplugging)
6. Gir med to områder
 7. LED-arbeidslampe

Lading av batteriet (figur A)

Det integrerte batteriet må lades før første gang det brukes, og hver gang det ikke lenger gir nok strøm til oppgaver som tidligere ble utført uten problemer.

Batteriet kan bli varmt under lading. Dette er normalt og innebærer ikke feil.

Advarsel! Ikke lad batteriet ved omgivelsestemperaturer under 10 °C eller over 40 °C. Anbefalt ladetemperatur er ca. 24 °C.

Merk: Laderen vil ikke lade et batteri hvis celledemperaturen er under ca. 10 °C eller over 40 °C.

Du bør la det integrerte batteriet fortsatt være tilkoblet laderen. Laderen begynner å lade automatisk når celledemperaturen blir høyere eller lavere.

- ◆ Sett ladekontakten (5) i ladeporten (5a).
- ◆ Plugg inn ladekontakten (5).
- ◆ La verktøyet være tilkoblet laderen i omtrent 4 timer.
- ◆ Ladeindikatoren (5b) lyser under ladingen.

Bruksanvisning

Avtreksbryter & reversknapp (figur B, C)

- ◆ Drillen skrues PÅ og AV ved å dra og slippe avtreksbryteren (1).
- ◆ Jo mer avtrekker-bryteren (a) trykkes, desto fortere går boremaskinen.
- ◆ En kontrollknapp (2) for fremover/bakover bestemmer retningen på verktøyet og tjener også som låseknapp.
- ◆ Når du skal velge rotasjon fremover, utløser du utløserbryteren og beveger kontrollknappen for fremover/bakover til venstre.
- ◆ Når du skal velge rotasjon bakover, beveger du kontrollknappen i motsatt retning.
- ◆ Når du skal låse verktøyet, setter du glidebryteren for fremover/bakover i midstillingen.

Merk: Når kontrollknappen står i midten er verktøyet låst. Når du skifter kontrollknappens posisjon, påse at avtreksbryteren er sluppet.

Momentkontroll (figur D)

Dette verktøyet er utstyrt med en mansjett (3) for å velge bruksmodus og stille inn moment for å skru til skruer. Store skruer og arbeidsstykker i harde materialer krever høyere moment er små skruer og arbeidsstykker med bløte materialer.

- ◆ For boring stilles mansjettene i stillingen med symbolet
- ◆ Ved bruk som skrutrekker settes mansjettene i ønsket stilling. Hvis du ikke vet hva som er riktig innstilling ennå, går du frem slik:
- ◆ Sett mansjettene i stillingen for laveste moment.
- ◆ Skru til den første skruen.
- ◆ Hvis koblingen lager en klikkelyd før du oppnår ønsket resultat, øker du mansjettinnstillingen og fortsetter å stramme skruen. Gjenta til du når korrekt innstilling. Bruk denne innstillingen for de gjenværende skruene.

Nøkkelfri chuck (figur E)

Advarsel! Pass på at låseknappen er i bruk for å hindre utilsikket aktivering av bryteren før du tar ut eller setter inn tilbehør.

Slik setter du inn et bor eller annet tilbehør:

- ◆ Hold den bakre halvdel av chucken (8) med én hånd og bruk den andre hånden til å dreie den fremre halvdel (9) mot klokken sett fra enden av chucken.
- ◆ Sett bit eller annet tilbehør helt inn i chucken, fest godt ved å holde den bakre delen av chucken og rotere frontdelen med klokken, sett fra chuckenden.

Advarsel! Ikke forsøk å stramme bor (eller annet tilbehør) ved å gripe rundt fronten av chucken og deretter slå på verktøyet. Det kan oppstå skade på chucken og personskade når tilbehør skiftes.

Gir med to områder (figur F)

To-område funksjonen gjør det mulig å skifte gir og gir dermed større fleksibilitet. Når du skal velge lav hastighet, høyt moment (posisjon 1), skrur av verktøyet og vent til det stopper. Skyv girskifterknappen (6) bort fra chucken.

Når du skal velge høy hastighet og lavt dreiemoment (posisjon 2), skrur du verktøyet av og venter til det stopper. Skyv girskifterknappen mot chucken.

Merk: ikke skifte gir mens verktøyet går, om du har problemer med å skifte gir, pass på at to-trinns girskifter er skjøvet enten helt forover eller helt bakover.

Boring/skrutrekking (figur C)

- ◆ Velg rotasjon fremover eller bakover med glidebryteren for fremover/bakover (2).
- ◆ Trykk på bryteren (1) for å slå verktøyet på. Hastigheten til verktøyet avhenger av hvor langt inn du trykker bryteren.
- ◆ Slipp bryteren for å slå verktøyet av.

Råd for optimal bruk

Boring

- ◆ Bruk kun skarpe drillbits.
- ◆ Støtt opp og fest arbeidsstykket godt, som angitt i sikkerhetsanvisningene.
- ◆ Bruk riktig og påkrevd sikkerhetsutstyr som anvist i sikkerhetsinstruksjonene.
- ◆ Sikre og vedlikeholde arbeidsområdet som beskrevet i sikkerhetsinstruksjonen.
- ◆ Kjør maskinen svært langsomt til hullet er dypt nok til å holde drillbiten fra å skli ut.
- ◆ Trykk i rett linje med boret. Bruk nok trykk til at boret biter, men ikke så mye at motoren stanser eller at boret skifter retning.
- ◆ Hold drillen fast med begge hender for å kontrollere vridningen.

- ◆ IKKE KLIKK MED BRYTEREN PÅ ET FASTKJØRT VERKTØY PÅ OG AV FOR Å FORSØKE Å STARTE DET. BOREMASKINEN KAN BLI SKADET.
- ◆ Reduser blokkering til et minimum ved gjennombrudd ved å redusere trykket og bore langsomt gjennom den siste delen av hullet.
- ◆ Hold motoren i gang mens du trekker boret ut av det borede hullet. Dette vil bidra til å redusere fastkjøring.
- ◆ Forsikre deg om at bryteren slår drillen på og av.

Boring i tre

Hull i tre kan bores med de samme spiralborene som brukes til metall, eller med flate bor. Disse borene bør være skarpe og bør trekkes ut ofte under boringen så spon kan fjernes fra furene i boret.

Bore i metall

Bruk et en skjærevæske for smøring ved boring i metall. Unntak er støpejern og messing som bør bores tørt. Smøremidlene som virker best, er svovelholdig skjærevæske eller fettolje.

Bore i mur

For boring i mur setter du mansjetten (3) i slagboringsposisjonen ved å plassere symbolet på linje med merket. Skyv hastighetsvelgeren (6) mot forsiden av verktøyet (2. gir).

Bruk som skrutrekker

- ◆ Bruk alltid riktig type og størrelse av skrutrekkerbit.
- ◆ Dersom det er vanskelig å trekke til, prøv med en liten mengde rengjøringsvæske eller såpe som smøremiddel.
- ◆ Hold alltid verktøyet og skrutrekkerbiten i rett linje med skruen.

Feilsøking

Problem	Mulig årsak	Mulig løsning
Enheten starter ikke.	Batteriet er ikke ladet.	Kontroller kravene til ladning av batteriet
Batteriet lader ikke.	Laderen er ikke satt i stikkontakten. Omgivelsestemperaturen er for varm eller kald.	Sett laderen i en stikkontakt som virker. Flytt laderen og batteriet til et sted med lufttemperatur over 40 grader F (4,5 °C) eller under 105 grader F (+40,5 °C)
Enheten stopper brått.	Batteriet har nådd sin maksimale temperaturgrense. Ikke oppladet. (For å få lengst mulig levetid på batteriet, er det designet for å slå seg av straks det er utladet.)	La batteriet kjøle seg ned. Sett i laderen og la den lade seg opp.

Vedlikehold

BLACK+DECKER-verktøyet ditt er konstruert for å være i drift over lengre tid med et minimum av vedlikehold. For at den skal fungere tilfredsstillende over tid, er det viktig å sørge for riktig stell av verktøyet og regelmessig renhold.

Laderen krever ikke annet vedlikehold enn regelmessig rengjøring.

Advarsel! Før du utfører vedlikehold på verktøyet, må du koble fra laderen.

- ◆ Rengjør ventilasjonsåpningene i verktøyet jevnlig med en myk børste eller tørr klut.
- ◆ Rengjør motorhuset regelmessig med en fuktig klut. Ikke bruk slipende eller løsemiddelbaserte rengjøringsmidler.

Miljøvern



Separat avfallshåndtering. Produkter og batterier merket med dette symbolet skal ikke kastes i vanlig husholdningsavfall.

Produkter og batterier inneholder materialer som kan gjenbrukes eller gjenvinnes for å redusere behovet for nye råmaterialer.

Vennligst lever elektrisk utstyr og batterier til gjenbruk i henhold til lokale retningslinjer.

Mer informasjon finner du på

www.2helpU.com

Tekniske data

REVVD12C H1		
Spenning	V_{DC}	12
Ubelastet hastighet	min^{-1}	0-350 / 0-1350 /min (RPM)
Maks. dreiemoment	Nm	17,5/40
Chuck kapasitet	mm	1-10
Maksimal borekapasitet		
Stål/tremur	mm	10 / 25 / 10
Vekt	kg	1,0

Integrert batteri		
Batteritype		Li-Ion
Ah-klassifisering		1,5

S010*1400040		
Lader		
Inngangsspenning	V_{AC}	230
Utgangsspenning	V_{DC}	10,8
Strøm	mA	400 mA
Omtrentlig ladetid	h	4

Lydtrykknivå i henhold til EN 62841:	
Lydtrykk (L_{pA})	84, usikkerhet (K) 5 dB(A)
Lydeffekt (L_{WA})	95 dB(A), usikkerhet (K) 5 dB(A)

Totale vibrasjonsverdier (triaks vektorsum) bestemt i samsvar med EN 62841:

Boring i metall (a_{h1}) 0,9 m/s^2 , usikkerhet (K) 1,5 m/s^2
 Slagboring i betong (a_{h2}) 17,1 m/s^2 , usikkerhet (K) 1,5 m/s^2

EF-samsvarerklæring

MASKINDIREKTIVET



REVVD12C Slagboremaskin

Black & Decker erklærer at disse produktene, som er beskrevet under "Tekniske data", er i samsvar med: EN62841-1:2015, EN62841-2-1:2018+A11:2019.

Disse produktene er også i samsvar med direktiv 2006/42/EC, 2014/30/EU og 2011/65/EU. For mer informasjon, kontakt Black & Decker på adressen nedenfor, eller se på baksiden av bruksanvisningen.

Undertegnede er ansvarlig for sammenstillingen av den tekniske filen og fremsetter denne erklæringen på vegne av

Black & Decker .

Patrick Diepenbach

Patrick Diepenbach
 General Manager, Benelux
 Black and Decker,
 Egide Walschaertsstraat 14-18
 2800 Mechelen, Belgia
 30.3.2022

Garanti

Black & Decker er trygg på kvaliteten av produktene sine og tilbyr en 24 måneders garanti fra kjøpsdato.

Denne garantierklæringen kommer i tillegg til dine lovbestemte rettigheter og er ikke i konflikt med disse.

Garantien er gyldig innen områdene tilhørende medlemslandene i den Europeiske Union (EU), det Europeiske Frihandelsområdet (EFTA) og i Storbritannia.

For å ta garantien i bruk må kravet være i samsvar med kjøpsbetingelsene fra Black&Decker og du må vise kjøpskvittering til forhandleren eller til et autorisert serviceverksted.

Betingelsene for Black & Deckers 2 års garanti og adressen til din nærmeste autoriserte serviceverksted kan du finne på internett under www.2helpU.com, eller ved å kontakte ditt lokale Black & Decker kontor, adressen er angitt i denne bruksanvisningen.

Besøk våre nettsider på www.blackanddecker.no for å registrere ditt nye Black & Decker-produkt og for å få informasjon om nye produkter og spesialtilbud.

Tilsigtet brug

Din BLACK+DECKER™ REVHD12C-slagboremaskine er designet til skruoopgaver samt til boring i metal og murværk. Værktøjet er kun beregnet til privat brug.

Sikkerhedsinstruktioner

Generelle sikkerhedsadvarsler vedrørende elværktøj



Advarsel! Læs alle sikkerhedsadvarsler, instruktioner, illustrationer og specifikationer, der følger med dette elværktøj. Hvis efterfølgende advarsler og instruktioner ikke følges, er der risiko for elektrisk stød, brand og alvorlige kvæstelser.

Gem alle advarsler og instruktioner til fremtidig reference.

Begrebet "elværktøj", der benyttes i nedenstående advarsler, henviser til nedrevet elværktøj (med netledning) eller batteridrevet elværktøj (uden netledning).

1. Sikkerhed i arbejdsområdet

- Hold arbejdsområdet rent og ordentligt oplyst.** Rodele eller mørke områder giver anledning til ulykker.
- Brug ikke elværktøj i eksplosive omgivelser, f.eks. hvor der er brændbare væsker, gasser eller støv.** Elværktøj danner gnister, der kan antænde støv eller dampe.
- Hold børn og andre personer i nærheden på afstand, når der arbejdes med elværktøj.** Distractioner kan medføre, at du mister kontrollen.

2. Elektricitet og sikkerhed

- Elværktøjets stik skal passe til kontakten.** Stikket må aldrig modificeres på nogen måde. Undlad at bruge adapterstik sammen med (jordforbundet) elektrisk værktøj. Umodificerede stik og dertil passende stikkontakter reducerer risikoen for elektrisk stød.
- Undgå kropskontakt med jordforbundne overflader som f.eks. rør, radiatorer, komfurer og køleskabe.** Der er øget risiko for elektrisk stød, hvis din krop er jordforbundet.
- Udsæt ikke elværktøj for regn, og brug det ikke, hvor omgivelserne er våde.** Hvis der trænger vand ind i et elektrisk værktøj, øges risikoen for elektrisk stød.
- Pas på, at ledningen ikke beskadiges.** Brug aldrig ledningen til at bære, trække værktøjet eller trække det ud af stikkontakten. Hold ledningen borte fra varme, olie, skarpe kanter og bevægelige dele. Beskadigede eller sammenfiltrede ledninger øger risikoen for elektrisk stød.
- Hvis elværktøj benyttes i det fri, skal der benyttes en forlængerledning, som er godkendt til udendørs brug.** Brug af en ledning, der er egnet til udendørs brug, reducerer risikoen for elektrisk stød.

- Brug en strømkilde med fejlstrømsrelæ, hvis det er nødvendigt at anvende elværktøj på fugtige steder.** Ved at benytte en fejlstrømsafbryder reduceres risikoen for elektrisk stød.

3. Personssikkerhed

- Vær opmærksom, hold øje med, hvad du laver og brug elværktøjet fornuftigt.** Betjen ikke værktøjet, hvis du er træt, påvirket af narkotika, alkohol eller medicin. Et øjeblikvis uopmærksomhed under anvendelse af et elektrisk værktøj kan forårsage alvorlige kvæstelser.
- Brug personligt beskyttelsesudstyr. Bær altid beskyttelsesbriller.** Det er muligt at reducere risikoen for kvæstelser ved alt efter omstændighederne at anvende det passende sikkerhedsudstyr såsom støvmaske, skridsikre sikkerhedssko, sikkerhedshjelm eller høreværn.
- Træf forholdsregler, så utilsigtet start ikke er mulig. Kontrollér, at afbryderkontakten står på slukket, inden værktøjet tilsluttes strømkilden og/eller batteriet, samles op eller bæres.** Når elektrisk værktøj bæres med fingeren på kontakten eller tilsluttes, når kontakten er tændt, giver det anledning til ulykker.
- Fjern indstillingsnøgle eller skruenøgle, inden elværktøjet startes.** En skruenøgle eller anden nøgle, der bliver siddende på en roterende del af elektrisk værktøj, kan give anledning til personskaade.
- Stræk dig ikke for langt. Hold hele tiden en god fodstilling og balance.** Dette udgør at du har bedre kontrol over det elektriske værktøj, når uventede situationer opstår.
- Brug egnet arbejdstøj. Bær ikke løst tøj eller smykker. Hold dit hår, tøj og handsker væk fra bevægelige dele.** Løstsiddende tøj, smykker eller langt hår kan blive fanget i bevægelige dele.
- Hvis der kan monteres støvudsugnings- og opsamlingsudstyr, skal dette tilsluttes og benyttes korrekt.** Anvendelse af støvopsamlingsudstyr kan begrænse farer forårsaget af støv.
- Lad ikke kendskab fra hyppig brug af værktøj gøre dig tilbagelænet og ignorere sikkerhedsprincipperne for værktøj.** En skødesløs handling kan forårsage alvorlig personskaade inden for en brøkdæl af et sekund.

4. Brug og vedligeholdelse af elværktøj

- Overbelast ikke elværktøjet. Brug det elværktøj, der er bedst egnet til det arbejde, der skal udføres.** Det korrekte elværktøj klarer opgaven bedre og mere sikkert med den effekt, som det er konstrueret til.
- Brug ikke elværktøjet, hvis afbryderkontakten er defekt.** Alt elektrisk værktøj, der ikke kan kontrolleres med kontakten, er farligt og skal repareres.

- c. **Træk stikket ud af stikkontakten og/eller batteriet inden indstilling, tilbehørsudskiftning eller opbevaring af elværktøjet.** Sådanne forebyggende sikkerhedsforanstaltninger mindsker risikoen for, at værktøjet startes utilsigtet.
- d. **Opbevar ubenyttet elværktøj uden for børns rækkevidde. Lad aldrig personer, der ikke er fortrolige med elværktøjet, eller som ikke har læst denne vejledning, benytte maskinen.** El-værktøj er farligt i hænderne på personer, som ikke er instrueret i brugen deraf.
- e. **Elværktøj og tilbehør skal vedligeholdes. Kontroller, om bevægelige dele er skæve og ikke sidder fast, og om delene er brækket eller beskadiget, så elværktøjets funktion påvirkes. Hvis det elektriske værktøj er beskadiget, skal det repareres før brug.** Mange ulykker er forårsaget af dårligt vedligeholdt værktøj.
- f. **Hold skæreværktøj skarpt og rent.** Ordentligt vedligeholdet skæreværktøj med skarpe skærekanter har mindre tilbøjelighed til at binde og er lettere at styre.
- g. **Brug elværktøjet, tilbehøret, værktøjsindsatser osv. i overensstemmelse med disse instruktioner under hensyntagen til arbejdsforholdene og arbejdet, der skal udføres med værktøjet.** Brug af elektrisk værktøj til andre opgaver end dem, det er beregnet til, kan resultere i en farlig situation.
- h. **Hold håndtagene og håndtagsfladerne tørre, rene og fri for olie og fedt.** Glatte håndtag og gribeflader giver ikke en sikker håndtering og kontrol af værktøjet i uventede situationer.
5. **Brug og pleje af batteriværktøj**
- a. Genoplad kun med den oplader, som producenten har angivet. En oplader, der passer til en type batteripakke, kan udgøre en risiko for brand, når den bruges til en anden type.
- b. Elværktøj må kun bruges med batteripakker, der er beregnet hertil. Brugen af andre batteripakker kan medføre personskade og brand.
- c. Når batteripakken ikke er i brug, skal den holdes på afstand af andre metalgenstande, f.eks. papirclips, mønter, nøgler, søm, skruer og andre små metalgenstande, som kan skabe forbindelse mellem de to poler. Kortslutning af batteriet kan forårsage forbrændinger eller brand.
- d. Under grove forhold kan væske sive ud fra batteriet; undgå kontakt. Hvis der opstår kontakt ved et uheld, skyl med vand. Hvis væske kommer ind i øjnene, søg omgående lægehjælp. Væske, der siver ud fra batteriet, kan fremkalde irritationer eller forbrændinger.
- e. Brug ikke en batteripakke eller et værktøj, der er beskadiget eller modificeret.

Beskadigede eller modificerede batterier kan udvise uforudsigelig adfærd, hvilket kan resultere i brand, eksplosion eller risiko for personskade.

- f. Udsæt ikke en batteripakke eller et værktøj for ild eller for høj temperatur. Eksponering for ild eller temperatur på over 130 °C kan forårsage eksplosion.

Bemærk: Temperaturen „130 °C“ kan erstattes af temperaturen „265 °F“.

- g. Følg alle opladningsanvisninger, og undlad at oplade batteripakken eller værktøjet uden for det temperaturinterval, der er specificeret i instruktionerne. En forkert opladning eller opladning uden for det specificerede interval kan beskadige batteriet og øge risikoen for brand.

6. Service

- a. Lad kun kvalificerede fagfolk reparere elværktøjet og benyt kun originale reservedele. Derved sikres det, at værktøjets driftssikkerhed opretholdes.
- b. Beskadigede batteripakker må aldrig serviceres. Service af batteripakker bør kun udføres af producenten eller autoriserede serviceudbydere.

Sikkerhedsinstruktioner til al brug

- **Bær høreværn når du arbejder med slagboring.** Udsættelse for støj kan medføre høretab.
- **Hold kun fast i det elektriske værktøj på de isolerede håndtagsflader, når der skal saves i emner, hvor skæreværktøjet kan berøre skjulte ledninger.** Hvis skæretilbehøret rammer en strømførende ledning, bliver elværktøjets blotlagte dele strømførende, så brugeren får stød.

Yderligere sikkerhedsadvarsler for elværktøj



Advarsel! Ekstra sikkerhedsadvarsler for bor/ drivværk/hammerbør.

- Brug klemmer eller en anden praktisk måde på at sikre og understøtte arbejdsemnet til et stabilt underlag. Hvis du holder fast i arbejdsemnet med din hånd eller krop, vil det være ustabil, og det kan medføre, at du mister kontrollen over det.
- Tilbehør og værktøj kan blive varme under drift. Bær handsker under arbejde med dem, hvis du udfører varmfremkaldende opgaver som fx boring af metaller.
- Luftaftræk dækker ofte over bevægelige dele og bør undgås. Løst tøj, smykker eller langt hår kan blive fanget af de bevægelige dele.
- Bær sikkerhedsbriller eller anden beskyttelse af øjnene. Hammer- og borefunktioner kan medføre flyvende splinter. Flyvende partikler kan forårsage permanente øjenskader.
- Bær høreværn når du arbejder med slagboring. Udsættelse for støj kan medføre høretab.

- Anvend hjælpehåndtag, hvis leveret sammen med værktøjet. Tab af kontrol kan medføre personskaade.
- Arbejd ikke med dette værktøj i længere tid ad gangen. Vibrationer fra værktøjet kan beskadige dine hænder og arme. Brug handsker som ekstra stødpude og begræns risikoen ved at holde hyppige pauser.

Sikkerhedsinstruktioner for at anvende lange borekroner

- ◆ **Brug aldrig hurtigere hastighed end det maksimale angivet på borekronen.** Ved højere hastigheder vil boret sandsynligvis bøjes, hvis det får lov til at rotere frit uden at komme i berøring med emnet, hvilket kan resultere i personskaade.
- ◆ **Start altid med at bore ved lav hastighed og med spidsen af boret i kontakt med overfladen.** Ved højere hastigheder vil boret sandsynligvis bøjes, hvis det får lov til at rotere frit uden at komme i berøring med emnet, hvilket kan resultere i personskaade.
- ◆ **Begynd altid med at bore i lav hastighed og med borespidsen i kontakt med emnet.** Bor kan bøje og forårsage brud eller tab af kontrol, hvilket kan resultere i personskaade.

Andres sikkerhed

- ◆ Dette værktøj må ikke bruges af personer (herunder børn) med nedsatte fysiske, sensoriske eller mentale evner eller manglende erfaring og viden, medmindre det sker under overvågning, eller der gives instruktion i brugen af værktøjet af en person, der er ansvarlig for deres sikkerhed.
- ◆ Børn skal holdes under opsyn, så det sikres, at de ikke leger med værktøjet.

Tilbageværende risici

Der kan opstå yderligere, tilbageværende risici under brugen af apparatet, som muligvis ikke behandles i de vedlagte sikkerhedsadvarsler. Disse risici kan opstå pga. forkert anvendelse, langvarig brug etc.

Selv ved overholdelse af relevante sikkerhedsforskrifter og anvendelse af sikkerhedsudstyr kan visse resterende risici ikke undgås. Disse omfatter:

- ◆ Tilskadekomst forårsaget af berøring af roterende/bevægelige dele.
- ◆ Tilskadekomst forårsaget af udskiftning af dele, klinger eller tilbehør.
- ◆ Tilskadekomst forårsaget af langvarig brug af et apparat. Husk at holde pause jævnligt ved brug af et apparat i længere tid.
- ◆ Hørenedsættelse.
- ◆ Sundhedsrisici forårsaget af indånding af støv, der genereres ved brug af værktøjet (eksempel: arbejde med træ, især eg, bøg og MDF.)

Vibration

Vibrationsemissionsværdien, som er specificeret i de tekniske data og overensstemmelseserklæringen, er målt i henhold til standard-testmetoden i EN62841 og kan bruges til at sammenligne ét værktøj med et andet.

Den angivne vibrationsemissionsværdi kan også bruges i forbindelse med en foreløbig vurdering af eksponeringen.

Advarsel! Vibrationsemissionsværdien i forbindelse med den faktiske anvendelse af elværktøjet kan afvige fra den angivne værdi afhængig af metoden, hvormed værktøjet anvendes. Vibrationsniveauet kan overstige det angivne niveau. I vurderingen af eksponeringen for vibration med henblik på fastsættelse af sikkerhedsforanstaltninger som krævet i 2002/44/EF til beskyttelse af personer, der jævnligt anvender elværktøj i deres arbejde, skal der tages hensyn til de faktiske betingelser under brugen, og måden værktøjet bruges på, herunder alle arbejdsrytters afsnit, f.eks. perioder, hvor værktøjet er slukket, og hvor det kører i tomgang, tillige med startperioderne.

Mærkatere på værktøjet

Følgende piktogrammer vises på værktøjet sammen med datokoder:



Advarsel! Brugeren skal læse brugervejledningen for at reducere risikoen for kvæstelser.



Kig ikke ind i lampen, når den er tændt

Vigtige sikkerhedsinstruktioner for alle integrerede batterier

Advarsel! Læs alle sikkerhedsadvarsler, instruktioner og forsigtighedsmærkatere for batteriet, opladeren og produktet. Manglende overholdelse af advarsler og instruktioner kan medføre elektrisk stød, brand og/eller alvorlig personskaade.

- ◆ Tving aldrig et opladningsstik ind i værktøjet.
- ◆ Du må IKKE ændre opladerstikket på en ikke-kompatibel oplader på nogen måde, så det passer ind i værktøjet, da batteriet kan
- briste og forårsage alvorlig personskaade.
- ◆ Oplad eller brug IKKE batteriet i eksplosive omgivelser, f.eks. hvor der er brændbare væsker, gasser eller støv. Isætning eller udtagning af opladningsstikket fra værktøjet kan antænde støv eller dampe.
- ◆ Oplad kun batteriet med det medfølgende opladningskabel og en egnet klasse 2-strømforsyning.
- ◆ Sprøjt IKKE på den eller nedsænk den i vand.
- ◆ Lad IKKE vand eller nogen væske trænge ind i værktøjet.

- ◆ Opbevar eller brug IKKE værktøjet på steder, hvor temperaturen kan nå op på eller overstige 104 °F (40 °C) (som f.eks. uden for skure eller metalbygninger om sommeren). For bedste levetid skal værktøjet opbevares på et køligt og tørt sted.
- ◆ Opbevar ikke værktøjet, mens kontakten er låst til åben. Sæt aldrig kontakten fast i tændt position med tape.
- ◆ Brænd IKKE værktøjet, selv hvis det er alvorligt beskadiget eller er helt slidt op. Batterierne kan eksplodere på et bål. Der dannes giftige dampe og materialer, når lithium-ion-batterier brændes.
- ◆ Hvis indholdet af et batteri kommer i kontakt med huden, vask omgående området med mild sæbe og vand. Hvis batterivæske kommer i øjet, skyl med vand over det åbne øje i 15 minutter, eller indtil iritationen ophører. Hvis der er brug for lægehjælp, består batterielektrolytten af en blanding af flydende organiske carbonater og lithiumsalte.
- ◆ Indholdet af åbnede battericeller kan forårsage irritation af luftvejene. Sørg for frisk luft. Hvis symptomerne fortsætter, skal der søges lægehjælp.
- ◆ Batterivæske kan være brandfarlig, hvis den udsættes for gnister eller flammer.
- ◆ Forsøg aldrig at åbne værktøjet af en eller anden grund. Oplad det ikke, hvis værktøjets hylster er revnet eller beskadiget. Undgå at mase, tabe eller beskadige værktøjet. Anvend ikke et værktøj eller en oplader, der har fået et hårdt slag, er blevet tabt, kørt over eller blevet beskadiget på anden vis (f.eks. stukket med et søm, slået med en hammer eller trådt på). Beskadigede værktøjer bør sendes til servicecenteret til genbrug.

Anbefalinger for opbevaring

Det bedste opbevaringssted er et, der er køligt og tørt, væk fra sollys og fra stærk varme eller kulde. Opbevar det fuldt opladede værktøj frakoblet opladeren.

Transport

Bemærk: Integrerende Li-ion-værktøjer bør ikke lægges i bagage, der tjekkes ind på fly, og skal beskyttes korrekt mod kortslutning, hvis de lægges i håndbagage.

Vigtige sikkerhedsinstruktioner for opladning af alle integrerende batterier

Advarsel! Læs alle sikkerhedsadvarsler, instruktioner og forsigtighedsmærkater for batteriet, kablet og produktet.

Manglende overholdelse af advarsler og instruktioner kan medføre elektrisk stød, brand og/eller alvorlig personskade.

- ◆ Det medfølgende opladerkabel er ikke beregnet til anden brug end opladning af BLACK+DECKER genopladelige værktøjer med opladningsporte. Opladning af andre typer værktøjer kan få deres batterier til at overophede og sprænge og dermed resultere i personskade, ejendomsskade, brand, elektrisk stød eller dødsfald ved elektrisk stød.

- ◆ Udsæt IKKE opladerkablet for vand, regn eller sne.
- ◆ Træk i stikkene i stedet for ledningen, når du trækker opladerkablet ud. Dette reducerer risikoen for beskadigelse af stikkene og ledningen.
- ◆ Kontrollér, at ledningen placeres, så der ikke trædes på den, faldes over den, eller den på anden måde udsættes for skader eller stress.
- ◆ Sørg altid for et tørt sted, når værktøjet oplades udendørs.
- ◆ Brug IKKE et beskadiget opladerkabel eller stik. Få dem udskiftet med det samme.
- ◆ Fremmede materialer af en ledende art som for eksempel, men ikke begrænset til slibestøv, metalspån, ståluld, aluminiumsfolie eller anden koncentration af metalliske partikler skal holdes på afstand af oplader- og micro-opladerstikkene og -portene.
- ◆ Træk altid opladerkablet ud af strømforsyningen, når der ikke er fastgjort noget værktøj til det.

Elektricitet og sikkerhed



Opladeren er dobbelt isoleret. Derfor er en jordledning ikke nødvendig. Kontroller altid, at netspændingen svarer til spændingen på typeskiltet. Forsøg aldrig at erstatte opladerenheden med et almindeligt netstik.

- ◆ Hvis netledningen beskadiges, skal den udskiftes af producenten eller et autoriseret BLACK+DECKER-værksted, så farlige situationer undgås.

Advarsel! Forsøg aldrig at erstatte opladerenheden med et almindeligt netstik.

Funktioner

Dette værktøj leveres med nogle eller alle de følgende egenskaber:

1. Variabel hastighedskontakt
2. Retningsomskifter
3. Justeringskravens drejmoment
4. Patron uden nøgle
5. Oplader
- 5a. Opladningsåbning
- 5b. Opladningsindikator (ikke synlig før værktøjet tilsluttes)
6. Dobbelt områdegear
7. LED-arbejdslys"

Opladning af batteriet (fig. A)

Batteriet skal oplades inden ibrugtagningen, og når det ikke leverer strøm nok til opgaver, der tidligere kunne udføres ubesværet. Batteriet kan blive varmt under opladningen. Det er normalt og ikke tegn på problemer.

Advarsel! Oplad ikke batteriet ved omgivelsestemperaturer på under 10 °C eller over 40 °C. Den anbefalede opladningstemperatur: ca. 24 °C.

Bemærk: Opladeren oplader ikke et batteri, hvis dets temperatur er under ca. 10 °C eller over 40°C.

Det integrerede batteri skal forblive tilsluttet til opladeren, og opladeren begynder automatisk at oplade, når celledtemperaturen varmer op eller køler ned.

- ◆ Sæt opladningsstikket (5) ind i opladningsporten (5a).
- ◆ Sæt opladningsstikket (5) i.
- ◆ Værktøjet være tilsluttet laderen i op til ca. 4 timer.
- ◆ Opladningsindikatoren (5b) lyser under opladning.

Betjeningsvejledning


Startkontakt & vendeknap (fig. B, C)

- ◆ Boret slås TIL og FRA ved at trække og slippe startkontakten (1).
Jo mere der trykkes på udløserkontakten, desto højere bliver slagboremaskinens hastighed.
- ◆ En retningsomskifterknap (2) bestemmer værktøjets arbejdsretning og fungerer også som låseknap.
- ◆ For valg af fremadgående rotation slippes startkontakten, og retningsomskifterknappen skubbes til venstre.
- ◆ For valg af omvendt retning skubbes retningsomskifterknappen til den anden side.
- ◆ Lås værktøjet ved at anbringe retningsomskifteren i midterstilling.

Bemærk: Midterpositionen på styreknappen låser værktøjet i off position. Når positionen på styreknappen ændres, sørg for at udløseren er udløst.

Indstilling af moment (fig.D)

Dette værktøj er udstyret med en krave til justering af drejemomentet (3) til valg af driftsfunktion og til indstilling af drejemomentet for fastspændingsskruer. Store skruer og hårde materialer kræver en højere indstilling af moment end små skruer og bløde materialer.

- ◆ Ved boring skal ringen indstilles på borepositions-symbolet .
- ◆ Ved skrueopgaver skal ringen indstilles på den ønskede position. Gå frem på følgende måde, hvis du er usikker på den rigtige position:
- ◆ Indstil ringen på den laveste momentposition.
- ◆ Skru den første skrue i.
- ◆ Hvis det ønskede resultat ikke opnås, skal du øge ringens indstilling og fortsætte med at skrue skruen i. Gentag fremgangsmåden, indtil du finder den rigtige indstilling. Brug samme indstilling til de andre skruer.

Nøglefri patron (fig. E)

Advarsel! Sørg for, at låsekappen er aktiveret for at forhindre utilsigtet aktivering af kontakten inden afmontering eller isætning af tilbehør.

Sådan isættes bor eller andet tilbehør:

- ◆ Tag fat i den bageste halvdel af patronen (8) med den ene hånd, og brug den anden hånd til at dreje den forreste halvdel (9) mod uret set fra patronenden.

- ◆ Indsæt boret eller andet tilbehør helt ind i patronen og spænd det godt ved at holde på den bageste halvdel af patronen og dreje den forreste del i urets retning som set fra borepatronens ende.

Advarsel! Forsøg ikke at stramme borebits (eller andet tilbehør) ved at tage fat om den forreste del af patronen og tænde værktøjet. Ved udskiftning af tilbehør kan der ske beskadigelse af patronen og personskaade.

Dobbelt områdegearing (fig. F)

Den dobbelte områdefunktion på din boremaskine gør det muligt for dig at skifte gear til større alsidighed. Til valg af lav hastighed, indstilling af højt drejemoment (position 1), slå værktøjet fra og tillad at stoppe. Skub gearskifterknappen (6) tilbage fra patronen.

Til valg af høj hastighed, indstilling af lavt drejemoment (position 2), slå værktøjet fra og tillad at stoppe.

Skub gearskifterknappen imod patronen.

Bemærk: Skift ikke gear, når værktøjet kører. Hvis du har problemer med at skifte gear, sørg for at den dobbelte område gearskifterknap enten er skubbet helt fremad eller helt tilbage

Boring/skruning (fig. C)

- ◆ Vælg fremad- eller bagudgående retning hva. retningsomskifter (2).
- ◆ Tænd for værktøjet ved at trykke på kontakten (1). Værktøjets hastighed afhænger af, hvor langt du trykker knappen.
- ◆ Sluk for værktøjet ved at slippe kontakten.

Gode råd mhp. optimal brug

Boring

- ◆ Brug kun skarpe borehoveder.
- ◆ Støt og fastgør arbejdet korrekt som instrueret i sikkerhedsinstruktionerne.
- ◆ Brug passende og nødvendigt sikkerhedsudstyr, som instrueret i sikkerhedsinstruktionerne.
- ◆ Kontrollér og oprethold arbejdsområdet som instrueret i sikkerhedsinstruktionerne.
- ◆ Kør boret meget langsomt ved hjælp af et let tryk, indtil hullet er påbegyndt tilstrækkeligt, til at boret ikke glider ud af det.
- ◆ Øg trykket i lige linje med boret. Tryk tilstrækkeligt til, at boret stadig arbejder, men ikke så meget, at motoren bremses, eller boret afbøjes.
- ◆ Hold godt fast i boremaskinen med begge hænder for at modvirke vriddet i den.
- ◆ **KLIK IKKE PÅ UDLØSEREN PÅ ET STOPPET BOR TIL OG FRA I ET FORSØG PÅ AT STARTE DET. RESULTATET KAN BLIVE BESKADIGELSE AF BORET**

- ◆ Minimér motorstop ved gennembrud ved at reducere trykket, og bor langsomt gennem den sidste del af hullet.
- ◆ Lad motoren køre, mens du trækker boret ud af et borehul. Det mindsker risikoen for, at det sidder fast.
- ◆ Kontrollér at kontakten slår boret til og fra.

Boring i træ

Der kan bores huller i træ med samme spiralbor, der bruges til metal, eller med fladbør. Borene skal være skarpe, og de skal hyppigt trækkes ud under boringen for at fjerne spåner fra borespiralen.

Boring i metal

Brug et skæreoliesmøremiddel ved boring af metaller. Undtagelserne er støbejern og messing, der skal tørbøres. Det smøremiddel, der fungerer bedst, er svovlet skæreolie eller esterolie.

Boring i murværk

Til boring i murværk sættes ringen (3) i hammerborepositionen ved at placere symbolet ud for markeringen. Skub hastighedsvælgeren (6) mod værktøjets forende (2. gear).

Iskruning

- ◆ Brug altid den rette type og størrelse skruetrækkerbit.
- ◆ Hvis skruer er svære at stramme, bør du prøve at påføre en lille mængde vaskemiddel eller sæbe som smøremiddel.
- ◆ Hold altid værktøjet og skruerbittene i lige linje med skruen.

Problemløsning

Problem	Mulig årsag	Mulig løsning
Enheden vil ikke starte.	Batteri ikke opladet.	Kontroller kravene til opladning af batteriet
Batteriet kan ikke oplades.	Opladeren er ikke tilsluttet. Omgivende lufttemperatur for varm eller for kold.	Slut opladeren til en fungerende stikkontakt. Flyt opladeren og batteripakken til en omgivende lufttemperatur på over 45 °C (40°F) eller under +40,5°C (105°F)
Enheden slukker brat.	Batteriet har nået sin maksimale termiske grænse. Ude af opladning. (For at maksimere batteriets levetid er det designet til at slukke brat, når opladningen er opbrugt.)	Lad batteriet køle ned. Anbring den på opladeren og lad den lade op.

Vedligeholdelse

Dit BLACK+DECKER-værktøj er beregnet til brug gennem lang tid med et minimum af vedligeholdelse. Vedvarende tilfredsstillende funktion er afhængig af, om apparatet plejes korrekt og rengøres regelmæssigt. Opladeren kræver ingen vedligeholdelse, men skal rengøres jævnligt.

Advarsel! Tag laderen ud af stikkontakten, inden der foretages rengøring eller vedligeholdelse på værktøjet.

- ◆ Rengør regelmæssigt værktøjets ventilationshuller med en blød børste eller en tør klud.
- ◆ Rengør med jævne mellemrum motorhuset med en fugtig klud. Der må ikke bruges skuremidler eller opløsningsmidler.

Miljøbeskyttelse



Særskilt bortskaffelse. Produkter og batterier mærket med dette symbol må ikke bortskaffes sammen med normalt husholdningsaffald.

Produkter og batterier indeholder materialer, der kan genvindes eller genbruges og således reducere efterspørgslen efter råvarer.

Genbrug venligst elektriske produkter og batterier i henhold til lokale bestemmelser.

Yderligere oplysninger findes på www.2helpU.com

Tekniske data

REVHD12C H1		
Spænding	V_{DC}	12
Tomgangshastighed	min^{-1}	0-350 / 0-1350 / min (RPM)
Maks. moment	Nm	17,5/40
Patronkapacitet	mm	1-10
Maks. borekapacitet		
Stål/træ/murværk	mm	10 / 25 / 10
Vægt	kg	1,0

Integreret batteri		
Batteritype		Li-Ion
Ah-kapacitet		1,5

Oplader S010*1400040		
Indgangsspænding	V_{AC}	230
Udgangsspænding	V_{DC}	10,8
Strømstyrke	mA	400 mA
Ladetid ca.	h	4

Lydtrykniveau i henhold til EN 62841:

Lydtryk (L_{pA}) 84, usikkerhed (K) 5 dB(A)

Lydeffekt (L_{WA}) 95 dB(A), usikkerhed (K) 5 dB(A)

Samlede værdier for vibration (triaksial vektorsum) i henhold til EN 62841:

Boring i metal (a_h) 0.9 m/s², usikkerhed (K) 1.5 m/s²
Hammerboring i beton (a_h) 17.1 m/s², usikkerhed (K) 1.5 m/s²

EF-overensstemmelseserklæring

MASKINDIREKTIV



REVHD12C - Slagboremaskine

Black & Decker erklærer, at produkterne beskrevet under "Tekniske data" er i overensstemmelse med:

EN62841-1:2015, EN62841-2-1:2018+A11:2019.

Disse produkter er endvidere i overensstemmelse med direktiv 2006/42/EF, 2014/30/EU og 2011/65/EU. Kontakt Black & Decker på nedenstående adresse, eller se vejledningens bagside for at få flere oplysninger.

Undertegnede er ansvarlig for kompilering af den tekniske fil og udsteder denne erklæring på vegne af

Black & Decker .

Patrick Diepenbach

Patrick Diepenbach
General Manager, Benelux
Black and Decker,
Egide Walschaertsstraat 14-18
2800 Mechelen, Belgien
30-03-2022

Käyttötarkoitus

Tämä BLACK+DECKER™ REVHD12C iskuporakone on tarkoitettu ruuvien kiinnittämiseen sekä puun, metallin ja betonin poraamiseen. Tämä työkalu on tarkoitettu vain yksityiskäyttöön.

Turvallisuusohjeet

Sähkötyökalujen yleiset turvavaroitukset



Varoitus! Lue kaikki tämän sähkötyökalun mukana toimitetut varoitukset, käyttöohjeet, kuvat ja tekniset tiedot. Alla olevien varoitusten ja ohjeiden noudattamisen laiminlyönti saattaa johtaa sähköiskuun, tulipaloon ja/tai vakavaan loukkaantumiseen.

Säästä kaikki varoitukset ja ohjeet tulevaa käyttöä varten.

Ohjeissa käytetty käsite "sähkötyökalu" tarkoittaa verkkokäyttöisiä sähkötyökaluja (verkkojohdolla varustettuja) ja akkukäyttöisiä sähkötyökaluja (ilman verkkojohtoa).

1. Työalueen turvallisuus

a. Pidä työalue puhtaana ja hyvin valaistuna.

Onnettomuuksia sattuu herkemmin epäsiistissä tai huonosti valaistussa ympäristössä.

b. Älä käytä sähkötyökalua räjähdysalttiissa ympäristössä, jossa on syttyvää nestettä, kaasua tai pölyä.

Sähkötyökalujen aiheuttamat kipinät voivat sytyttää pölyn tai kaasut.

c. Pidä lapset ja sivulliset loitolla sähkötyökalua käyttäessäsi.

Keskittymiskyvyn herpaantuminen voi aiheuttaa hallinnan menettämisen.

2. Sähköturvallisuus

a. Sähkötyökalun pistokkeen on sovittava pistorasiaan.

Älä koskaan tee pistokkeeseen mitään muutoksia. Älä yhdistä maadoitettua sähkötyökalua jatkojohtoon.

Sähköiskun vaara vähenee, jos pistokkeisiin ei tehdä muutoksia ja ne yhdistetään vain niille tarkoitettuihin pistorasioihin.

b. Vältä koskettamasta maadoitettuja pintoja, kuten putkia, lämpöpattereita, liesiä tai jääkaappeja.

Voit saada sähköiskun, jos kehosi on maadoitettu.

c. Älä altista sähkötyökalua sateelle tai kosteudelle.

Sähkötyökaluun menevä vesi lisää sähköiskun vaaraa.

d. Älä käsittele virtajohtoa kovakouraisesti. Älä kannata työkaluja sähköjohdosta tai vedä pistoketta pistorasiasta sähköjohdon avulla. Pidä sähköjohto kaukana kuumuudesta, öljystä, terävistä reunoista tai liikkuvista osista.

Vaurioituneet tai soiteutuneet johdot lisäävät sähköiskun vaaraa.

e. Käyttäessäsi sähkötyökalua ulkona käytä ainoastaan ulkokäyttöön soveltuvaa jatkojohtoa.

Ulkokäyttöön tarkoitettua sähköjohdon käyttäminen vähentää sähköiskun vaaraa.

Garanti

Black & Decker er overbevist om den gode kvalitet af sine produkter og giver forbrugerne en garanti på 24 måneder fra købsdatoen.

Garantien er et tillæg til forbrugerens lovmæssige rettigheder og påvirker ikke disse. Garantien er gyldig inden for medlemsstaterne af Den Europæiske Union, Det Europæiske Frihandelsområde og Det Forenede Kongerige. Når du gør krav på garantien, skal kravet være i overensstemmelse med Black & Decker vilkår og betingelser, og du skal indsende dokumentation for købet til sælgeren eller til en autoriseret reparatør.

Vilkår og betingelser for Black & Decker 2 års garanti og placeringen af dit nærmeste autoriserede serviceværksted kan fås på internettet på www.2helpU.com, eller ved at kontakte dit lokale Black & Decker kontor på den adresse, der er angivet i denne vejledning.

Besøg venligst vores websted www.blackanddecker.co.uk for at registrere dit nye Black & Decker produkt og modtage opdateringer om nye produkter og specielle tilbud.

- f. **Jos sähkötyökalua on välttämättä käytettävä kosteassa paikassa, käytä vikavirtasuojalla (RCD) suojattua virtalähdettä.** Tämä vähentää sähköiskun vaaraa.
3. **Henkilöturvallisuus**
- a. **Ole valpas, keskity työhön ja noudata tervettä järkeä sähkötyökalun käytössä.**
Älä käytä tätä työkalua ollessasi väsynyt tai alkoholin, huumeiden tai lääkkeiden vaikutuksen alaisena. Keskittymisen herpaantuminen hetkeksikin sähkötyökalua käytettäessä voi aiheuttaa vakavan henkilövahingon.
- b. **Käytä henkilökohtaisia suojavarusteita. Käytä aina suojalaseja.** Henkityssuojaimen, liukumattomien turvajalkineiden, kypärän ja kuulonsuojaimen käyttäminen vähentää henkilövahinkojen vaaraa.
- c. **Vältä tahatonta käynnistämistä. Varmista, että kytkin on OFF-asennossa, ennen kuin liität laitteen virtalähteeseen ja/tai akkuun, nostat laitteen tai kannat sitä.** Sähkötyökalun kantaminen sormi virtakytkimellä lisää onnettomuusvaaraa.
- d. **Irrota mahdollinen säätö- tai kiintoavain ennen kuin käynnistät sähkötyökalun.** Sähkötyökalun pyörivään osaan kiinni jäänyt avain voi johtaa loukkaantumiseen.
- e. **Älä kurkota. Huolehdi siitä, että sinulla on koko ajan tukeva jalansija ja hyvä tasapaino.** Näin voit hallita sähkötyökalua paremmin odottamattomissa tilanteissa.
- f. **Käytä tarkoitukseen soveltuvia vaatteita. Älä käytä löysiä vaatteita tai koruja. Pidä hiukset, vaatteet ja kädet loitolla liikkuvista osista.** Löysät vaatteet, korut tai pitkät hiukset voivat tarttua liikkuviin osiin.
- g. **Jos työkalun voi liittää polynimuriin, tarkista, että liitos on tehty asianmukaisesti ja että laitteita käytetään oikealla tavalla.** Pölyn ottaminen talteen voi vähentää pölyn aiheuttamia vaaroja.
- h. **Vaikka työkalujen käyttökokemus olisi huomattava, turvallisuusohjeita ei saa jättää huomioimatta.** Huolimattomuus voi aiheuttaa vakavia henkilövahinkoja sekunnin murto-osassa.
4. **Sähkötyökalujen käyttö ja hoito**
- a. **Älä yliuormita sähkötyökalua. Valitse käyttötarkoituksen kannalta oikea sähkötyökalu.** Sähkötyökalu toimii paremmin ja turvallisemmin, kun sitä käytetään sille suunniteltuun käyttötarkoitukseen.
- b. **Älä käytä sähkötyökalua, jota ei voida käynnistää ja pysäyttää virtakytkimestä.** Jos sähkötyökalua ei voi hallita kytkimen avulla, se on vaarallinen ja se on korjattava.
- c. **Irrota pistotulppa pistorasiasta ja/tai akku laitteesta ennen kuin suoritat säätöjä, vaihdat tarvikkeita tai siirrä sähkötyökalun varastoitavaksi.**
- Näin voit vähentää vahingossa käynnistymisen aiheuttaman henkilövahingon vaaraa.
- d. **Säilytä sähkötyökalut poissa lasten ulottuvilta, kun niitä ei käytetä. Älä anna sähkötyökalua sellaisen henkilön käyttöön, joka ei tunne sitä tai joka ei ole tutustunut tähän käyttöohjeeseen.** Sähkötyökalut ovat vaarallisia kouluttamattomien käyttäjien käsissä.
- e. **Hoida sähkötyökaluasi ja lisävarusteita huolella. Tarkista, että liikkuvat osat toimivat moitteettomasti ja etteivät ne ole puristuksessa. Tarkista myös, ettei työkalussa ei ole murtuneita tai vahingoittuneita osia, jotka saattaisivat vaikuttaa haitallisesti sen toimintaan. Jos havaitset vaurioita, korjauta sähkötyökalu ennen niiden käyttämistä.** Huonosti kunnossapidetyt sähkötyökalut aiheuttavat onnettomuuksia.
- f. **Pidä leikkausterät terävinä ja puhtaina.** Kunnossa pidettyjen leikkaavien teräviä reunoja sisältävien työkalut todennäköisyys jumiutua vähenee, ja niitä on helpompi hallita.
- g. **Käytä sähkötyökaluja, tarvikkeita, vaihtoteriä yms. näiden ohjeiden mukaisesti. Ota tällöin huomioon työolosuhteet ja suoritettava toimenpide.** Jos sähkötyökalua käytetään näiden ohjeiden vastaisesti, voi syntyä vaaratilanne.
- h. **Pidä kahvat ja kädensijat kuivina ja puhtaina öljystä ja rasvasta.** Liukkaat kahvat ja kädensijat estävät työkalun turvallisen käsittelyn ja hallinnan odottamattomissa tilanteissa.
5. **Akkutyökalun käyttö ja huolto**
- a. **Lataa akku vain valmistajan määrittämällä laturilla.** Laturi, joka on sopiva yhden tyyppiselle akulle, voi aiheuttaa tulipalon vaaran, jos sitä käytetään toisen tyyppisellä akulla.
- b. **Käytä sähkötyökalussa ainoastaan kyseiseen sähkötyökaluun tarkoitettua akkua.** Muun tyyppisen akun käyttö saattaa johtaa loukkaantumiseen ja tulipaloon.
- c. **Pidä irrallinen akku loitolla metalliesineistä, kuten paperiliittimistä, kolikoista, avaimista, nauloista, ruuveista tai muista pienistä metalliesineistä, jotka voivat aiheuttaa oikosulun akun navoissa.** Kennon pinteiden oikosulku voi aiheuttaa palovammoja tai tulipalon.
- d. **Väärin käytetystä akusta voi vuotaa nestettä. Älä kosketa sitä.** Jos nesteen kanssa joutuu kosketuksiin, huuhtelee vedellä. Jos nestettä joutuu silmiin, hakeudu lisäksi lääkärin hoitoon. Akusta roiskunut neste saattaa aiheuttaa ärsytystä tai palovammoja.
- e. **Akkua tai työkalua ei saa käyttää, jos siinä on vaurioita tai sitä on muunneltu.** Vaurioituneet tai muunnellut akut voivat johtaa odottamattomiin tilanteisiin ja vaarana ovat tulipalo, räjähdys ja henkilövahingot.

- f. Suojaa akku ja työkalu tulleita ja liian korkeilta lämpötiloilta. Se voi räjähtää yli 130 °C lämpötilassa.

Huomautus: Lämpötila "130 °C" voidaan korvata lämpötilalla "265 °F".

- g. Noudata kaikkia latausohjeita. Akkua tai työkalua ei saa ladata ohjeissa määritetystä lämpötilavälisestä poikkeavassa lämpötilassa.

Jos akku ladataan virheellisesti tai määritetystä lämpötilavälisestä poikkeavassa lämpötilassa, seurauksena voi olla akun vaurioituminen ja tulipalovaara.

6. Huolto

- a. Korjauta sähkötyökalu koulutetulla ja ammattitaitoisella henkilöllä ja hyväksy korjauksiin vain alkuperäisiä varaosia. Tämä varmistaa sähkötyökalun turvallisuuden.
- b. Älä koskaan huolla vaurioituneita akkuja. Ainoastaan valmistaja tai valtuutetut huoltoliikkeet saavat huoltaa akkuja.

Turvaohjeet kaikkia toimintoja käytettäessä

- Käytä kuulosuojia, kun käytät iskuporaa. Melulle altistuminen voi aiheuttaa kuulon menetyksen.
- Tartu kiinni koneen eristetyistä tartuntapinnoista, jos leikkausvälinettä käytettäessä on vaara osua piilossa oleviin johtoihin. Terien osuminen jännitteiseen johtoon tekee sen paljaista metalliosista jännitteisiä, joten käyttäjä voi saada sähköiskun.

Sähkötyökalujen lisäturvavaroitukset



Varoitus! Lisäturvaohejet porille/ruuvivääntimille/iskuporille.

- Käytä puristimia tai muuta käytännöllistä tapaa kiinnittää ja tukea työkalua tukevalle alustalle. Työn pitäminen käsin tai vartaloa vasten on epävakaata ja saattaa johtaa kontrollin menetykseen.
- Lisävarusteet ja työkalu voivat kuumentua käytön aikana. Käytä suojakäsineitä niiden käsittelyn aikana, jos käytät työkalua lämpöä tuottaviin toimintoihin, kuten metallien poraukseen.
- Ilmanvaihtoaukkoja ei saa peittää. Löysät vaatteet, korut tai pitkät hiukset voivat tarttua liikkuviin osiin.
- Käytä suojalaseja tai muita silmäsuojia. Iskuporaus ja poraaminen voivat aiheuttaa lastujen lentämisen. Lentävät kappaleet voivat aiheuttaa pysyvän silmävaurion.
- Käytä kuulosuojia, kun käytät iskuporaa. Melulle altistuminen voi aiheuttaa kuulon menetyksen.
- Käytä lisäkahvoja, jos ne on toimitettu työkalun mukana. Hallinnan menetys voi aiheuttaa henkilövahingon.
- Älä käytä tätä työkalua pitkiä aikoja yhtäjaksoisesti. Työkalun iskutoiminnan aiheuttama värinä voi olla haitallista käsillesi ja käsivarsillesi. Käytä käsineitä tarjoamaan lisäpehmustetta ja rajoita altistumista värinällä pitämällä taukoja.

Turvallisuusohjeet pitkiä poranteriä käytettäessä

- ◆ Älä koskaan ylitä poran määrättyä maksiminopeutta. Suuremmilla nopeuksilla terä voi taipua ja aiheuttaa henkilövahinkoja, jos sen annetaan pyöriä vapaasti työstökappaleesta irti.
- ◆ Aloita poraus aina alhaisella nopeudella poran terän koskettaessa työstökappaleeseen. Suuremmilla nopeuksilla terä voi taipua ja aiheuttaa henkilövahinkoja, jos sen annetaan pyöriä vapaasti työstökappaleesta irti.
- ◆ Kohdistat terään voimaa vain suorassa linjassa välttämällä liiallista painetta. Terät voivat taipua ja aiheuttaa murtumisen tai hallinnan menetyksen, mikä voi johtaa henkilövahinkoihin.

Muiden henkilöiden turvallisuus

- ◆ Tätä työkalua ei ole tarkoitettu sellaisten henkilöiden käyttöön, joilla on fyysisiä tai älyllisiä rajoitteita tai aistirajoitteita, eikä laitteen toimintaan perehtymättömien henkilöiden käyttöön (lapset mukaan luettuina), paitsi valvonnan alaisina, tai jos he ovat saaneet laitteen käyttöön liittyvää opastusta heidän turvallisuudestaan vastaavalta henkilöltä.
- ◆ Lapsia tulee valvoa ja varmistaa, että he eivät leiki laitteella.

Jäännösriskit

Myös kuin kuin turvavaroituksissa mainitut riskit ovat mahdollisia laitetta käytettäessä. Nämä riskit voivat liittyä muun muassa virheelliseen tai pitkäaikaiseen käyttöön. Tiettyjä jäännösriskejä ei voi välttää, vaikka noudat kaikkia turvamääräyksiä ja käytät turvalaitteita. Näitä ovat:

- ◆ Pyörievien tai liikkuvien osien koskettamisen aiheuttamat vahingot.
- ◆ Osia, teriä tai lisävarusteita vaihdettaessa aiheutuneet vahingot.
- ◆ Työkalun pitkäaikaisen käytön aiheuttamat vahingot. Varmista, että pidät säännöllisesti taukoja laitteen pitkäaikaisen käytön aikana.
- ◆ Kuulon heikkeneminen.
- ◆ Työkalua käytettäessä (esimerkiksi puuta, erityisesti tammea, pyökkiiä ja MDF-levyjä käsiteltäessä) syntyneen pölyn sisäänhengityksen aiheuttamat terveystarpeet.

Tärinä

Teknisissä tiedoissa ja vaatimustenmukaisuusvakuutuksessa ilmoitettu värinäpäästöarvo on mitattu EN62841-standardin testausmenetelmän mukaisesti, ja arvoa voi käyttää työkalujen keskinäiseen vertailuun.

Ilmoitettua värinäpäästöarvoa voi käyttää myös altistumisen alustavaan arviointiin.

Varoitus! Sähkötyökalun käytön aikana mitattu todellinen värinäpäästöarvo voi poiketa ilmoitetusta värinäpäästöarvosta työkalun käyttötavan mukaan.

Tärinätaso voi olla ilmoitettua tasoa suurempi.

Kun tärinälle altistumista arvioidaan sen määrittämiseksi, mitä direktiiviin 2002/44/EY mukaisia turvatoimenpiteitä vaaditaan sähkötyökaluja säännöllisesti käyttävien henkilöiden suojelemiseksi, tärinälle altistumisen arvioinnissa on otettava huomioon todelliset käyttöolosuhteet ja työkalun käyttötavat. Todellisen käytön lisäksi on kiinnitettävä huomiota myös siihen, milloin työkalu on sammutettuna tai se käy tyhjäkäynnillä.

Työkalun tarrat

Työkalussa on seuraavat merkit sekä päivämääräkoodi:



Varoitus! Käyttäjän on luettava käyttöohje vahinkojen välttämiseksi.



Älä katso suoraan toiminnassa olevaan lampuun

Tärkeitä turvaohjeita kaikkiin akkutyökaluihin

Varoitus! Lue kaikki akun, laturin ja tuotteen turvavaroitukset, ohjeet ja varoitusmerkit. Jos varoituksia ja ohjeita ei noudateta, on olemassa sähköiskun, tulipalon ja/tai vakavan henkilövahingon vaara.

- ◆ Älä koskaan liitä laturin pistoketta väkisin työkaluun.
- ◆ ÄLÄ tee yhteensopimattoman laturin pistokkeeseen mitään muutoksia sen sovittamiseksi työkaluun, sillä akku voi rikkoutua ja aiheuttaa vakavia henkilövahinkoja.
- ◆ ÄLÄ lataa tai käytä akkua räjähdysalttiissa ympäristössä, jossa on syttyvää nestettä, kaasua tai pölyä. Pöly tai höyry voi syttyä, kun laturin pistoke liitetään työkaluun tai irrotetaan työkalusta.
- ◆ Lataa akku vain sen mukana toimitetulla latausjohdolla ja sopivalla luokan 2 virtalähteellä.
- ◆ ÄLÄ altista roiskeille tai upota veteen.
- ◆ SUOJATTAVA vedeltä ja muilta nesteiltä.
- ◆ ÄLÄ säilytä tai käytä työkalua paikassa, jossa lämpötila voi saavuttaa tai ylittää 40 °C (kuten kesällä ulkotakoksissa tai metallirakennuksissa). Säilytä työkaluja viileässä ja kuivassa paikassa parhaan käyttöiän saavuttamiseksi.
- ◆ Älä säilytä työkalua kytkin lukitussa asennossa. Älä koskaan teippaa kytkintä käyttöasentoon.
- ◆ ÄLÄ polta edes vakavasti vaurioitunutta tai täysin loppuun kulunutta työkalua. Akku voi räjähtää tulella. Myrkyllisiä höyryjä ja materiaaleja syntyy, kun litiumioniakut poltetaan.
- ◆ Jos akun sisältöä pääsee iholle, pese iho välittömästi miedolla saippualla ja vedellä. Jos akun nestettä pääsee silmiin, huuhtele avointa silmää vedellä 15 minuutin ajan tai ärsytyksen poistumiseen saakka. Jos lääkinällinen apu on tarpeen, akun elektrolyytti sisältää nestemäisten orgaanisten karbonaattien sekä litiumsuolien seosta.

- ◆ Avattujen akkukannen sisäyttö voi aiheuttaa ärsytystä hengitysteissä. Siirry raukaaseen ilmaan. Jos oireet jatkuvat, ota yhteyttä lääkäriin.
- ◆ Akun neste voi olla syttyvää, jos se altistetaan kipinöille tai liekeille.
- ◆ Älä koskaan yritä avata työkalua mistään syystä. Jos työkalun ulkokuori on haljennut tai vaurioitunut, älä lataa yksikköä. Älä riko, pudota tai vahingoita työkalua. Älä käytä työkalua tai laturia, johon on osunut terävä isku, joka on pudotettu tai vahingoittunut millään tavalla (esim. lävistetty naulalla, isketty vasaralla, astuttu päälle). Vahingoittuneet työkalut tulee palauttaa huoltoon kierrätystä varten.

Säilytysohjeet

Paras säilytyspaikka on kuiva ja viileä paikka, suojaa laite suoralta auringonvalolta ja liialliselta lämmöltä tai kylmyydeltä.

Säilytä täyteen ladattua työkalua laturista irti.

Kuljetus

Huomautus: Kokonaisia litiumionityökaluja ei saa asettaa lentokoneiden ruumaan meneviin matkalaukkuihin ja ne on suojattava asianmukaisesti oikosuluilta, kun niitä kuljetetaan käsimatkatavaroissa.

Tärkeitä turvaohjeita kaikkiin latauslaitteisiin

Varoitus! Lue kaikki akun, latauskaapelin ja tuotteen turvavaroitukset, ohjeet ja varoitusmerkit. Jos varoituksia ja ohjeita ei noudateta, on olemassa sähköiskun, tulipalon ja/tai vakavan henkilövahingon vaara.

- ◆ Pakkaukseen kuuluvaa latauskaapelia ei saa käyttää muuhun tarkoitukseen kuin mikrolatausliitäntöillä varustettujen ladattavien BLACK+DECKER-työkalujen lataamiseen. Muiden työkalujen lataaminen voi aiheuttaa niiden akkujen ylikuumentumisen ja rikkoutumisen, jolloin vaarana ovat henkilö- ja omaisuusvahingot, tulipalo ja sähköiskut.
- ◆ SUOJAA latauskaapeli vedeltä, sateelta ja lumelta.
- ◆ Vedä pistokkeesta johdon sijaan latauskaapelia irrottaessa. Tämä vähentää pistokkeiden ja johdon vaurioitumisen vaaraa.
- ◆ Varmista, ettei johdon päälle ei astua, siihen ei voida kaatua ja ettei se voi muuten vaurioitua tai kulua.
- ◆ Varmista, että latauspaikka on kuiva ladattaessa työkalua ulkotilassa.
- ◆ ÄLÄ käytä latauskaapelia, jos virtajohto tai pistokkeet ovat vaurioituneet. Vie ne heti vaihdettavaksi.
- ◆ Johtavat materiaalit kuten, seuraaviin kuitenkin rajoittumatta, hiomapöly, metallihiukkaset, teräsvilla, alumiinifolio tai muut metallihiukkasten kertymät, tulee pitää poissa latausliitännästä ja latauksen mikroliittimestä ja portista.

- ◆ Irrota latauskaapeli aina virtalähteestä, kun siihen ei ole liitetty työkalua.

Sähköturvallisuus



Laturi on kaksoiseristetty, joten erillistä maadoitusta ei tarvita. Tarkista aina, että verkkojännite vastaa arvokilvessä ilmoitettua jännitettä. Älä yritä vaihtaa laturiin tavallista verkkovirran pistoketta.

- ◆ Jos virtajohto vahingoittuu, sen vaihtaminen on turvallisuusyistä jätettävä valmistajan tai valtuutetun BLACK+DECKER-huollon tehtäväksi.

Varoitus! Älä yritä vaihtaa laturiin tavallista verkkovirran pistoketta.

Yleiskuvaus

Tässä työkalussa on joitakin tai kaikki seuraavista ominaisuuksista:

1. Säädettävä nopeuskytkin
 2. Eteen-/taaksepäin-liukusäädin
 3. Väännön säätörengas
 4. Pikaistukka
 5. Laturi
- 5a. Latausportti
5b. Latauksen merkkivalo (syttyy kytkettäessä sähköverkkoon)
6. Kaksi nopeutta
 7. LED-työvalo

Akun lataaminen (kuva A)

Lataa integroitu akku ennen ensimmäistä käyttökertaa ja aina, kun se ei enää tuota riittävästi virtaa toimintoihin, jotka aiemmin sujuivat helposti. Akku voi lämmetä ladattaessa. Tämä on normaalia, eikä se ole merkki mistään viasta.

Varoitus! Älä lataa akkua alle 10 °C tai yli 40 °C asteen lämpötilassa. Suositeltava latauslämpötila on noin 24 °C.

Huomautus: Laturi ei lataa akkua, jos akun kennon lämpötila on alle 10 °C tai yli 40 °C.

Integroitu akku tulee kuitenkin jättää laturiin. Laturi aloittaa lataamisen automaattisesti, kun kennon lämpötila nousee tai laskee riittävästi.

- ◆ Liitä latausliitin (5) latausporttiin (5a).
- ◆ Liitä latausliitin (5) virtalähteeseen.
- ◆ Anna laitteen olla liitettynä laturiin korkeintaan 4 tunnin ajan.
- ◆ Latauksen merkkivalo (5b) palaa latauksen aikana.

Käyttöohjeet

Virtakytkin ja peruutuspainike (kuvat B, C)

- ◆ Pora kytketään päälle ja pois päältä vetämällä ja vapauttamalla virtakytkin (1).

Mitä enemmän kytkintä painetaan, sitä suurempi porakoneen toimintanopeus.

- ◆ Eteen-/taaksepäin-painike (2) määrää työkalun pyörimissuunnan ja toimii myös lukituspainikkeena.
- ◆ Valitse pyörimissuunta eteenpäin vapauttamalla virtakytkin ja painamalla eteen-/taaksepäin-painiketta vasemmalle.
- ◆ Valitse pyörimissuunta taaksepäin painamalla eteen-/taaksepäin-painiketta vastakkaiseen suuntaan.
- ◆ Lukitse työkalu siirtämällä eteen-/taaksepäin-liukusäädin keskelle.

Huomautus: Suunnanvaihtopainikkeen keskiasento lukitsee työkalun off-asentoon. Kun muutat suunnanvaihtopainikkeen asentoa, varmista, että liipaisin on vapautettu.

Vääntömomentin säädin (kuva D)

Tässä työkalussa on vääntömomentin säätörengas (3), jolla valitaan toimintatila ja asetetaan vääntömomentti ruuvien kiristämistä varten. Suuret ruuvit ja kovat työstettävät materiaalit vaativat suuremman vääntömomentin kuin pienet ruuvit ja pehmeät työstettävät materiaalit.

- ◆ Puuta, metallia ja muovia poratessasi aseta kartio porausasennon symbolin 2 kohdalle.
- ◆ Kun väännät ruuveja, aseta kartio haluamaasi asentoon. Jos et vielä tiedä oikeaa asentoa, toimi seuraavasti:
- ◆ Aseta kartio pienimmän vääntömomentin mukaiseen asentoon.
- ◆ Kiristä ensimmäinen ruuvi.
- ◆ Jos kytkin luistaa ennen halutun tuloksen saavuttamista, suurena kartion asetusta ja jatka ruuvien kiristämistä. Toista menettelyä, kunnes asetus on oikea. Kiristä muut ruuvit käyttämällä tätä asetusta.

Huoltovapaa istukka (kuva E)

Varoitus! Varmista ennen lisävarusteiden irrottamista tai asentamista, että lukituspainike on lukitusasennossa virtakytkimen tahattoman käytön estämiseksi.

Poranterän tai muun tarvikkeen asentaminen:

- ◆ Tartu kädellä istukan takapuoliskoon (8) ja kierrä etupuoliskoa (9) toisella kädellä istukan päästä katsottuna vastapäivään.
- ◆ Aseta tai muu tarvike kokonaan istukkaan ja kiinnitä se hyvin pitämällä kiinni istukan takaosasta ja kiertämällä istukan etuosaa myötäpäivään istukan päästä katsottuna.

Varoitus! Älä kiristä poranterää (tai muuta tarviketta) tarttumalla istukan etuosaan ja kytkemällä työkaluun virta. Lisävarusteiden vaihtaminen tällä tavalla voi vahingoittaa istukkaa tai johtaa tapaturmaan.

Kaksi nopeutta (kuva F)

Poran nopeuskytkimen avulla voit vaihtaa vaihteista monipuolisesti. Valitse alhainen nopeus ja suuri vääntömomentti (asento 1) katkaisemalla työkalusta virta ja antamalla sen pysähtyä.

Liu'uta nopeuskytkintä (6) pois päin istukasta. Valitse suuri nopeus ja pieni vääntömomentti (asento 2) katkaisemalla työkalusta virta ja antamalla sen pysähtyä. Liu'uta nopeuskytkintä istukkaan päin.

Huomaa: Älä vaihda vaihdetta työkalun ollessa käynnissä. Jos vaihteiden vaihtamisessa on ongelmia, varmista, että nopeuskytkin on työnnetty joko kokonaan eteenpäin tai kokonaan taaksepäin.

Poraus/ruuvaus (kuva C)

- ◆ Valitse pyörimissuunta eteen- tai taaksepäin eteen-/taaksepäin-liukusäätimellä (2).
- ◆ Käynnistä laite painamalla kytkintä (1). Työkalun nopeus määrätty sen mukaan, kuinka pitkälle kytkintä työnnetään.
- ◆ Sammuta laite vapauttamalla kytkin.

Vinkkejä parhaimman tuloksen saavuttamiseksi

Poraaminen

- ◆ Käytä vain teräviä poranteriä.
- ◆ Tue ja kiinnitä työstökappale oikeoppisesti turvallisuusohjeita noudattaen.
- ◆ Käytä asianmukaisia ja vaadittuja turvavarusteita turvallisuusohjeita noudattaen.
- ◆ Varmista työalueen turvallisuus turvallisuusohjeita noudattaen.
- ◆ Käytä poraa erittäin hiljaa kevyellä paineella, kunnes reikä on aloitetta riittävästi poran pitämiseksi aukossa.
- ◆ Paina suoraan terän suuntaisesti. Paina tarpeeksi kovaa niin, että terä poraa, mutta älä niin kovaa, että moottori jää kiinni tai terä vääntyy.
- ◆ Pitele poraa tiukasti kahdella kädellä niin, ettei se pääse heilumaan.
- ◆ **ÄLÄ YRITÄ KÄYNNISTÄÄ KIINNI JÄÄNYTTÄ MOOTTORIA UUDELLEEN PAINELEMALLA LIIPAISINTA. PORA VOI VAHINGOITTUA**
- ◆ Vähennä kiinni jäämisen mahdollisuutta puhkaisuvaiheessa vähentämällä painetta ja poraamalla hitaasti reiän loppupäässä.
- ◆ Pidä moottori käynnissä ja vedä terä ulos poratusta reiästä. Tämä estää juuttumista.
- ◆ Varmista, että kytkin käynnistää ja sammuttaa poran.

Puun poraaminen

Puuhun voidaan porata reikiä samoilla kieräporanterillä kuin metalliin, tai litteäteräisillä poranterillä. Näiden terien tulisi olla teräviä ja porattaessa ne tulisi vetää ulos usein purujen poistamiseksi urista.

Metallin poraaminen

Käytä leikkuujäähdytysnestettä, kun poraat metalleja. Poikkeuksia ovat valurauta ja messinki, joita tulee porata

kuivina. Parhaiten toimivia leikkuujäähdytysnestettä ovat rikitetty leikkuuöljy ja laardiöljy.

Betonin poraaminen

Kun poraat kivimateriaalia, aseta kartio (3) iskuporasasentoon siirtämällä merkki kohdakkain merkinnän kanssa.

Työnnä nopeudenvälitsintä (6) työkalun etuosaa kohti (2. vaihde).

Ruuvien kiinnittäminen

- ◆ Käytä aina oikeantyyppistä ja -kokoista ruuvauskärkeä.
- ◆ Jos ruuvien kiristys on vaikeaa, kokeile lisätä pieni määrä pesuainetta tai saippuaa voiteluaineeksi.
- ◆ Pidä työkalu ja ruuvauskärki aina suorassa linjassa ruuviin nähden.

Vianetsintä

Ongelma	Mahdollinen syy	Mahdollinen ratkaisu
Laite ei käynnisty.	Akku ei ole latautunut.	Tarkista akun latausvaatimukset
Akku ei lataudu.	Laturia ei ole kytketty pistorasiaan. Ympäristölämpötila on liian korkea tai liian alhainen.	Kytke laturi pistorasiaan. Siirrä laturi ympäristöön, jonka lämpötila on yli 4,5 °C (40 °F) tai alle +40,5 °C (105 °F).
Laite sammuu äkkinäisesti.	Akun maksimilämpötila on saavutettu. Ei virtaa. (Akun maksimaalista käyttöikää varten akku sammuu tarkoituksella äkkinäisesti virran loppuessa).	Anna akun jäähtyä. Aseta laturiin ja anna latautua.

Huolto

BLACK+DECKER-työkalu on suunniteltu toimimaan mahdollisimman pitkän aikaa mahdollisimman vähällä huollolla. Oikea käsittely ja säännöllinen puhdistus varmistavat laitteen ongelmattoman toiminnan.

Laturi ei tarvitse säännöllisen puhdistamisen lisäksi mitään muuta huoltoa.

Varoitus! Ennen huoltamista ja puhdistamista työkalu on irrotettava laturista.

- ◆ Puhdista laitteen ilma-aukot säännöllisesti pehmeällä harjalla tai kuivalla rievulla.
- ◆ Puhdista moottorikotelo säännöllisesti kostealla liinalla. Älä käytä hankaavia tai liuotinpohjaisia puhdistusaineita.

Ympäristönsuojelu



Toimita tämä laite erilliskeräykseen. Tällä symbolilla merkityt tuotteet ja akkuja ei saa hävittää tavallisen kotitalousjätteen mukana.

Tuotteissa ja akuissa on materiaaleja, jotka voidaan ottaa talteen tai kierrättää uudelleen käyttöä varten.

Kierrätä sähkölaitteet ja akut paikallisten määräyksien mukaan.

Lisätietoa on saatavilla osoitteessa

www.2helpU.com

EY-vaatimustenmukaisuusvakuutus

KONEDIREKTIIVI



REVHD12C Iskuporakone

Black & Decker ilmoittaa, että Tekniset tiedot -kohdassa kuvatut tuotteet täyttävät seuraavien direktiivien vaatimukset: EN62841-1:2015, EN62841-2-1:2018+A11:2019.

Nämä tuotteet täyttävät myös direktiivien 2006/42/EY, 2014/30/EY ja 2011/65/EY vaatimukset. Lisätietoja saa ottamalla yhteyden Black & Deckeriin seuraavassa osoitteessa. Tiedot ovat myös käyttöohjeen takakannessa.

Allekirjoittaja vastaa teknisistä tiedoista ja antaa tämän vakuutuksen seuraavan yhtiön puolesta:

Black & Decker.

Patrick Diepenbach

Patrick Diepenbach
Toimitusjohtaja, Benelux
Black and Decker,
Egide Walschaertsstraat 14-18
2800 Mechelen, Belgia
30.3.2022

Tekniset tiedot

REVHD12C H1		
Jännite	V_{DC}	12
Kuormittamaton nopeus	min^{-1}	0-350 / 0-1350 /min (kierrosta minuutissa)
Maks. vääntömomentti	Nm	17,5/40
Istukan kapasiteetti	mm	1-10
Suurin mahdollinen porausteho		
Teräs/puu/betoni	mm	10 / 25 / 10
Paino	kg	1,0

Integroitu akku		
Akkutyyppe		Li-Ion
Ampeerituntikapasiteetti		1,5

S010*1400040		
Laturi		
Tulojännite	V_{AC}	230
Lähtöjännite	V_{DC}	10,8
Virta	mA	400 mA
Arvioitu latausaika	h	4

Äänenpainetaso standardin EN 62841 mukaisesti:

Äänenpaine (L_{pA}) 84, epävarmuus (K) 5 dB(A)

Äänitehotaso (L_{WA}) 95 dB(A), epävarmuus (K) 5 dB(A)

Tärinän kokonaisarvot (vektorisumma) standardin EN 62841 mukaisesti:

Metallin poraaminen (a_{h1}) 0,9 m/s^2 , epävarmuus (K) 1,5 m/s^2

Betonin iskuporaus (a_{h2}) 17,1 m/s^2 , epävarmuus (K) 1,5 m/s^2

Takuu

Black & Decker on vakuuttanut tuotteidensa korkeasta laadusta ja tarjoaa kuluttajille 24 kuukauden takuun, joka astuu voimaan ostopäivänä.

Takuu on lisäys kuluttajan laillisiin oikeuksiin eikä vaikuta niihin. Tämä takuu on voimassa kaikissa EU- ja ETA-maissa sekä Isossa-Britanniassa.

Edellytyksenä takuun saamiselle on, että vaade täyttää Black & Deckerin ehdot ja että ostaja toimittaa ostotositteen jälleenmyyjälle tai valtuutetulle huoltoliikkeelle.

Black & Deckerin kahden vuoden takuun ehdot ja lähimmän valtuutetun korjauspalvelun yhteyshenkilöt ovat saatavilla osoitteessa www.2helpU.com tai ottamalla yhteyttä paikalliseen Black & Deckerin toimipisteeseen tässä ohjekirjassa ilmoitettuihin osoitteisiin.

Käy verkkosivuiltamme osoitteessa www.blackanddecker.fi ja rekisteröi uusi Black & Decker -tuotteesi saadaksesi tietoa uusista tuotteista ja erikoistarjouksista.

Προβλεπόμενη χρήση

Αυτό το κρουστικό δράπανο BLACK+DECKER™ REVHD12C έχει σχεδιαστεί για εφαρμογές βιδώματος και για διάτρηση σε ξύλο, μέταλλο και υλικά τοιχοποιίας. Αυτό το εργαλείο προορίζεται μόνο για ερασιτεχνική χρήση.

Οδηγίες ασφαλείας

Γενικές προειδοποιήσεις ασφαλείας για ηλεκτρικά εργαλεία



Προειδοποίηση! Διαβάστε όλες τις προειδοποιήσεις ασφαλείας, τις οδηγίες, τις απεικονίσεις και τις προδιαγραφές που συνοδεύουν αυτό το ηλεκτρικό εργαλείο. Η μη τήρηση των παρακάτω προειδοποιήσεων και οδηγιών μπορεί να προκαλέσει ηλεκτροπληξία, πυρκαγιά και/ή σοβαρές σωματικές βλάβες.

Φυλάξτε όλες τις προειδοποιήσεις και τις οδηγίες για μελλοντική αναφορά. Ο όρος "ηλεκτρικό εργαλείο" που χρησιμοποιείται σε όλες τις παρακάτω προειδοποιήσεις, αναφέρεται είτε σε εργαλείο που λειτουργεί με ρεύμα δικτύου (ρεύματος - με καλώδιο) είτε σε εργαλείο που λειτουργεί με μπαταρία (μπαταρίας - χωρίς καλώδιο).

1. Ασφάλεια χώρου εργασίας

- α. Διατηρείτε τον χώρο εργασίας καθαρό και καλά φωτισμένο. Οι ατακτοποιητοί ή σκοτεινοί χώροι γίνονται αιτίες ατυχημάτων.
- β. Μη χρησιμοποιείτε ηλεκτρικά εργαλεία σε περιβάλλον όπου υπάρχει κίνδυνος έκρηξης, όπως με παρουσία εύφλεκτων υγρών, αερίων ή σκόνης. Τα ηλεκτρικά εργαλεία παράγουν σπινθήρες που μπορεί να προκαλέσουν ανάφλεξη της σκόνης ή των αναθυμιάσεων.
- γ. Όταν χρησιμοποιείτε ηλεκτρικό εργαλείο, κρατάτε μακριά τα παιδιά και άλλα άτομα. Παράγοντες που αποσπούν την προσοχή μπορεί να σας κάνουν να χάσετε τον έλεγχο.

2. Ασφαλής χρήση ηλεκτρικού ρεύματος

- α. Τα φισ των ηλεκτρικών εργαλείων πρέπει να ανατριάζουν στην πρίζα. Σε καμία περίπτωση μη τροποποιήσετε το φισ, με κανένα τρόπο. Μη χρησιμοποιείτε φισ προσαρμογής με γειωμένα ηλεκτρικά εργαλεία. Τα φισ που δεν έχουν υποστεί τροποποιήσεις και οι κατάλληλες πρίζες μειώνουν τον κίνδυνο ηλεκτροπληξίας.
- β. Αποφεύγετε την επαφή του σώματός σας με γειωμένες επιφάνειες, όπως σωλήνες, σώματα καλοριφέρ, κουζίνες και ψυγεία. Υπάρχει αυξημένος κίνδυνος ηλεκτροπληξίας αν το σώμα σας είναι γειωμένο.
- γ. Μην εκθέτετε τα ηλεκτρικά εργαλεία σε βροχή ή υγρασία. Η διείσδυση νερού σε ένα ηλεκτρικό εργαλείο αυξάνει τον κίνδυνο ηλεκτροπληξίας.

- δ. Μην κακομεταχειρίζεστε το καλώδιο. Ποτέ μη χρησιμοποιήσετε το καλώδιο για να μεταφέρετε, να τραβήξετε ή να αποσυνδέσετε από την πρίζα το ηλεκτρικό εργαλείο. Κρατάτε το καλώδιο μακριά από θερμότητα, λάδια, αιχμηρά άκρα ή κινούμενα μέρη. Τα καλώδια που έχουν υποστεί ζημιά ή είναι μπερδεμένα αυξάνουν τον κίνδυνο ηλεκτροπληξίας.
- ε. Όταν χρησιμοποιείτε ηλεκτρικό εργαλείο σε εξωτερικούς χώρους, χρησιμοποιείτε πάντοτε καλώδιο επέκτασης κατάλληλο για εργασία σε εξωτερικούς χώρους. Η χρήση καλωδίου κατάλληλου για εργασία σε εξωτερικούς χώρους μειώνει τον κίνδυνο ηλεκτροπληξίας.
- στ. Εάν είναι αναπόφευκτη η χρήση ενός ηλεκτρικού εργαλείου σε συνθήκες υγρασίας, χρησιμοποιήστε μια διάταξη προστασίας από ρεύμα διαρροής (RCD). Η χρήση μιας διάταξης RCD μειώνει τον κίνδυνο ηλεκτροπληξίας.

3. Προσωπική ασφάλεια

- α. Όταν χρησιμοποιείτε ηλεκτρικό εργαλείο, να είστε σε εγρήγορση, να συγκεντρώνετε στην εργασία που κάνετε και να επιστρατεύετε την κοινή λογική. Μη χρησιμοποιείτε ηλεκτρικό εργαλείο όταν είστε κουρασμένος/η ή υπό την επήρεια ναρκωτικών, οινοπνεύματος ή φαρμακευτικής αγωγής. Μια στιγμή απροσεξίας κατά τη χρήση ηλεκτρικών εργαλείων μπορεί να προκαλέσει σοβαρό τραυματισμό.
- β. Χρησιμοποιείτε ατομικό εξοπλισμό προστασίας. Πάντα φοράτε προστασία ματιών. Ο εξοπλισμός προστασίας, όπως μάσκα κατά της σκόνης, αντιολισθητικά παπούτσια ασφαλείας, κράνος ή προστασία ακοής, όταν χρησιμοποιείται για τις κατάλληλες συνθήκες, θα μειώσει τους τραυματισμούς και τις σωματικές βλάβες.
- γ. Αποτρέψτε την ακούσια ενεργοποίηση. Βεβαιωθείτε ότι ο διακόπτης βρίσκεται στη θέση απενεργοποίησης, πριν συνδέσετε το εργαλείο σε πηγή ρεύματος και/ή τοποθετήσετε πακέτο μπαταριών, καθώς και πριν πάρετε στα χέρια σας ή μεταφέρετε το εργαλείο. Η μεταφορά ηλεκτρικών εργαλείων με το δάχτυλο πάνω στον διακόπτη ή η σύνδεση στο ρεύμα ηλεκτρικών εργαλείων με τον διακόπτη στη θέση ενεργοποίησης, ενέχει κινδύνους ατυχημάτων.
- δ. Πριν θέσετε το ηλεκτρικό εργαλείο σε λειτουργία, αφαιρέστε τυχόν εργαλεία ή κλειδιά ρύθμισης. Εάν αφήσετε ένα εργαλείο ή κλειδί πάνω σε κάποιο περιστρεφόμενο εξάρτημα του ηλεκτρικού εργαλείου, μπορεί να προκληθούν τραυματισμοί.
- ε. Μην τεντώνετε υπερβολικά. Διατηρείτε πάντα σταθερή στήριξη στα πόδια σας και καλή ισορροπία.

Έτσι μπορείτε να έχετε καλύτερο έλεγχο του ηλεκτρικού εργαλείου σε μη αναμενόμενες καταστάσεις.

- στ. Φοράτε κατάλληλη ενδυμασία εργασίας. Μη φοράτε φαρδιά ρούχα ή κοσμήματα. Κρατάτε τα μαλλιά, τα ρούχα και τα γάντια σας μακριά από κινούμενα μέρη.** Τα φαρδιά ρούχα, τα κοσμήματα και τα μακριά μαλλιά μπορούν να πιαστούν σε κινούμενα μέρη.
- ζ. Αν παρέχονται διατάξεις για τη σύνδεση συστημάτων απομάκρυνσης και συλλογής της σκόνης, βεβαιωθείτε ότι αυτές είναι συνδεδεμένες και χρησιμοποιούνται σωστά.** Η χρήση διατάξεων συλλογής της σκόνης μπορεί να μειώσει τους κινδύνους που προέρχονται από τη σκόνη.
- η. Μην αφήνεται την εξοικείωση που έχετε αποκτήσει από τη συχνή χρήση εργαλείων να σας επιτρέψει να εφησυχάσετε ώστε να αγνοείτε τις αρχές ασφαλούς χρήσης των εργαλείων.** Μια απρόσεκτη ενέργεια μπορεί να προκαλέσει βαρύτατο τραυματισμό μέσα σε κλάσματα του δευτερολέπτου.
- 4. Χρήση και φροντίδα ηλεκτρικών εργαλείων**
- α. Μην υπερφορτώνετε το ηλεκτρικό εργαλείο.** Χρησιμοποιείτε το σωστό ηλεκτρικό εργαλείο για την εφαρμογή σας. Το σωστό ηλεκτρικό εργαλείο θα εκτελέσει την εργασία καλύτερα και ασφαλέστερα, με την ένταση χρήσης για την οποία σχεδιάστηκε.
- β. Μη χρησιμοποιήσετε το ηλεκτρικό εργαλείο αν ο διακόπτης του δεν μπορεί να το ενεργοποιεί και απενεργοποιεί.** Οποιοδήποτε ηλεκτρικό εργαλείο του οποίου η λειτουργία δεν μπορεί να ελεγχθεί με τον διακόπτη είναι επικίνδυνο και πρέπει να επισκευαστεί.
- γ. Αποσυνδέστε το φως από την πηγή ρεύματος καλή αφαιρέστε το πακέτο μπαταριών από το ηλεκτρικό εργαλείο, πριν πραγματοποιήσετε οποιαδήποτε ρύθμιση, αλλαγή αξεσουάρ ή όταν πρόκειται να αποθηκεύσετε το ηλεκτρικό εργαλείο.** Τέτοια προληπτικά μέτρα ασφαλείας μειώνουν το κίνδυνο αθέλητης εκκίνησης του ηλεκτρικού εργαλείου.
- δ. Φυλάσσετε μακριά από παιδιά τα ηλεκτρικά εργαλεία που δεν χρησιμοποιείτε. Μην αφήνετε να χρησιμοποιήσουν το ηλεκτρικό εργαλείο άτομα που δεν είναι εξοικειωμένα με αυτό ή άτομα που δεν έχουν διαβάσει αυτές τις οδηγίες χρήσης.** Τα ηλεκτρικά εργαλεία είναι επικίνδυνα στα χέρια μη εκπαιδευμένων χρηστών.
- ε. Συντηρείτε τα ηλεκτρικά εργαλεία και τα αξεσουάρ. Ελέγχετε για προβλήματα ευθυγράμμισης ή για μάγκωμα των κινούμενων εξαρτημάτων, θραύση εξαρτημάτων, καθώς και για οποιοδήποτε άλλο πρόβλημα μπορεί να επηρεάσει τη λειτουργία των ηλεκτρικών εργαλείων.**

Αν το ηλεκτρικό εργαλείο έχει υποστεί ζημιά, παραδώστε το για επισκευή πριν το χρησιμοποιήσετε. Η ανεπαρκής συντήρηση των ηλεκτρικών εργαλείων αποτελεί αιτία πολλών ατυχημάτων.

- στ. Διατηρείτε τα κοπτικά εργαλεία κοφτερά και καθαρά.** Τα κοπτικά εργαλεία με κοφτερές κοπτικές αιχμές που συντηρούνται σωστά έχουν λιγότερες πιθανότητες να μαγκώσουν και ελέγχονται ευκολότερα.
- ζ. Χρησιμοποιείτε το ηλεκτρικό εργαλείο, τα αξεσουάρ και τα εξαρτήματα εργασίας του εργαλείου κλπ. σύμφωνα με τις παρούσες οδηγίες, λαμβάνοντας υπόψη σας τις συνθήκες εργασίας και την εργασία που θέλετε να εκτελέσετε.** Η χρήση του ηλεκτρικού εργαλείου για εργασίες διαφορετικές από τις προβλεπόμενες θα μπορούσε να οδηγήσει σε επικίνδυνη κατάσταση.
- η. Διατηρείτε τις λαβές και τις επιφάνειες κρατήματος στεγνές, καθαρές και απαλλαγμένες από λάδι και γράσο.** Οι ολισθηρές λαβές και επιφάνειες κρατήματος δεν επιτρέπουν τον ασφαλή χειρισμό και έλεγχο του εργαλείου σε μη αναμενόμενες καταστάσεις.
- 5. Χρήση και φροντίδα εργαλείων μπαταρίας**
- α. Επαναφορτίξτε μόνο με τον φορτιστή που καθορίζει ο κατασκευαστής.** Ένας φορτιστής που είναι κατάλληλος για ένα τύπο πακέτου μπαταριών μπορεί να δημιουργήσει κίνδυνο πυρκαγιάς αν χρησιμοποιηθεί με άλλο πακέτο μπαταριών.
- β. Χρησιμοποιείτε τα ηλεκτρικά εργαλεία αποκλειστικά και μόνο με τα καθοριζόμενα πακέτα μπαταριών.** Η χρήση άλλων πακέτων μπαταριών μπορεί να προκαλέσει κίνδυνο τραυματισμού και πυρκαγιάς.
- γ. Όταν το πακέτο μπαταριών δεν χρησιμοποιείται, κρατάτε το μακριά από άλλα μεταλλικά αντικείμενα, όπως συνδετήρες, κέρματα, κλειδιά, καρφιά, βίδες ή άλλα μικρά μεταλλικά αντικείμενα που μπορούν να βραχυκυκλώσουν τους δύο ακροδέκτες του. Αν βραχυκυκλωθούν οι ακροδέκτες της μπαταρίας, μπορεί να προκληθούν εγκαύματα ή πυρκαγιά.**
- δ. Αν οι μπαταρίες υποστούν κακομεταχείριση, μπορεί να διαρρέυσει υγρό. Αποφύγετε την επαφή. Αν κατά λάθος έρθετε σε επαφή, ξεπλύνετε με νερό. Σε περίπτωση που το υγρό έλθει σε επαφή με τα μάτια σας, ζητήστε επιπλέον και ιατρική βοήθεια. Το υγρό που διαρρέει από την μπαταρία μπορεί να προκαλέσει ερεθισμούς ή εγκαύματα.**
- ε. Μη χρησιμοποιήσετε πακέτο μπαταριών ή εργαλείο που έχει υποστεί ζημιά ή τροποποίηση. Οι μπαταρίες που έχουν υποστεί ζημιά ή τροποποίηση μπορεί να έχουν απρόβλεπτη συμπεριφορά, με αποτέλεσμα φωτιά, έκρηξη ή κίνδυνο τραυματισμού.**

στ. Μην εκθέσετε ένα πακέτο μπαταριών ή εργαλείο σε φωτιά ή υπερβολική θερμοκρασία. Η έκθεση σε φωτιά ή σε θερμοκρασία πάνω από 130 °C μπορεί να προκαλέσει έκρηξη.

Σημείωση: Η θερμοκρασία "130 °C" μπορεί να αντικατασταθεί από τη θερμοκρασία "265 °F".

ζ. Τηρείτε όλες τις οδηγίες φόρτισης και μη φορτίζετε το πακέτο μπαταριών ή το εργαλείο εκτός των ορίων θερμοκρασίας που ορίζονται στις προδιαγραφές. Η ακατάλληλη φόρτιση ή η φόρτιση σε θερμοκρασίες εκτός των προβλεπόμενων ορίων μπορεί να προξενήσει ζημιά στην μπαταρία και να αυξήσει τον κίνδυνο φωτιάς.

6. Σέρβις

- α. Αναθέτετε το σέρβις του ηλεκτρικού σας εργαλείου σε εξειδικευμένο τεχνικό επισκευών που χρησιμοποιεί μόνο γνήσια ανταλλακτικά. Έτσι θα εξασφαλίσετε τη διατήρηση της ασφάλειας του ηλεκτρικού εργαλείου.
- β. Ποτέ μην υποβάλλετε σε σέρβις πακέτα μπαταριών που έχουν υποστεί ζημιά. Το σέρβις των πακέτων μπαταριών πρέπει να γίνεται μόνο από τον κατασκευαστή ή από εξουσιοδοτημένους παρόχους σέρβις.

Οδηγίες ασφαλείας για όλες τις εργασίες

- **Φοράτε προστατευτικά ακοής κατά την κρουστική διάτρηση.** Η έκθεση σε θόρυβο μπορεί να προκαλέσει απώλεια ακοής.
- **Κρατάτε το ηλεκτρικό εργαλείο από μονωμένες επιφάνειες λαβής όταν εκτελείτε μια εργασία όπου το αξεσουάρ κοπής μπορεί να έρθει σε επαφή με αθέατα καλώδια.** Αν αξεσουάρ κοπής έρθει σε επαφή με καλώδιο υπό τάση, μπορεί να τεθούν υπό ηλεκτρική τάση και να εκτεθειμένα μεταλλικά μέρη του ηλεκτρικού εργαλείου και να προκληθεί ηλεκτροπληξία στο χειριστή.

Πρόσθετες προειδοποιήσεις ασφαλείας για ηλεκτρικά εργαλεία



Προειδοποίηση! Πρόσθετες προειδοποιήσεις ασφαλείας για δράπανο/ ηλεκτρικό κατασβίδι/ κρουστικό δράπανο.

- Χρησιμοποιείτε σφιγκτήρες ή άλλο πρακτικό τρόπο για να στερεώνετε και να στηρίζετε το αντικείμενο εργασίας σε σταθερό υπόβαθρο. Αν κρατάτε το αντικείμενο εργασίας με το χέρι σας ή κόντρα στο σώμα σας, αυτό δεν είναι σταθερό και μπορεί να προκληθεί απώλεια ελέγχου.
- Τα αξεσουάρ και το εργαλείο μπορεί να αποκτήσουν υψηλή θερμοκρασία κατά τη λειτουργία. Φοράτε γάντια όταν τα χειρίζεστε, αν εκτελείτε εργασίες κατά τις οποίες παράγεται θερμότητα όπως η διάτρηση μετάλλων.

- Τα ανοίγματα αερισμού συχνά καλύπτουν κινούμενα μέρη και θα πρέπει να αποφεύγονται. Τα ρούχα με φαρδιά εφαρμογή, τα κοσμήματα και τα μακριά μαλλιά μπορούν να πιαστούν σε κινούμενα μέρη.
- Φοράτε γυαλιά ασφαλείας ή άλλη προστασία των ματιών. Οι εργασίες κρούσης και διάτρησης προκαλούν εκτίναξη θραυσμάτων. Τα εκτινασσόμενα σωματίδια μπορούν να προκαλέσουν μόνιμη βλάβη στα μάτια.
- Φοράτε προστατευτικά ακοής κατά την κρουστική διάτρηση. Η έκθεση σε θόρυβο μπορεί να προκαλέσει απώλεια ακοής.
- Χρησιμοποιείτε τη(τις) βοηθητική(-ές) λαβή(-ές) αν παρέχεται(-ονται) μαζί με το εργαλείο. Η απώλεια ελέγχου μπορεί να προκαλέσει σωματική βλάβη.
- Μη χρησιμοποιείτε το εργαλείο αυτό για παρατεταμένα χρονικά διαστήματα. Οι κραδασμοί που προκαλούνται από τη δράση του εργαλείου μπορεί να είναι επιβλαβείς για τα χέρια και τους βραχίονές σας. Χρησιμοποιείτε γάντια για πρόσθετη προστατευτική δράση και περιορίζετε την έκθεση κάνοντας συχνά διαλείμματα ξεκούρασης.

Οδηγίες ασφαλείας για την περίπτωση χρήσης τρυπανιών μεγάλου μήκους

- ◆ **Ποτέ μη χρησιμοποιείτε ταχύτητα υψηλότερη από τη μέγιστη ονομαστική ταχύτητα του τρυπανιού.** Σε υψηλότερες ταχύτητες, το τρυπάνι είναι πιθανό να λυγίσει αν επιτραπεί να εισέλθει σε επαφή με το αντικείμενο εργασίας, με αποτέλεσμα τραυματισμό.
- ◆ **Πάντα να ξεκινάτε τη διάτρηση σε χαμηλή ταχύτητα και με τη μύτη του τρυπανιού σε επαφή με το αντικείμενο εργασίας.** Σε υψηλότερες ταχύτητες, το τρυπάνι είναι πιθανό να λυγίσει αν επιτραπεί να περιστραφεί ελεύθερα χωρίς να είναι σε επαφή με το αντικείμενο εργασίας, με αποτέλεσμα τραυματισμό.
- ◆ **Εφαρμόζετε πίεση μόνο σε ευθεία γραμμή με το τρυπάνι και μην εφαρμόζετε υπερβολική πίεση.** Τα τρυπάνια μπορεί να λυγίσουν προκαλώντας θραύση ή απώλεια του ελέγχου, με αποτέλεσμα τραυματισμό.

Ασφάλεια τρίτων

- ◆ Αυτό το εργαλείο δεν προορίζεται για χρήση από άτομα (στα οποία περιλαμβάνονται και τα παιδιά) με μειωμένες φυσικές, αισθητηριακές ή διανοητικές ικανότητες ή άτομα χωρίς εμπειρία και γνώσεις, παρά μόνο εφόσον επιτηρούνται ή τους έχουν δοθεί οδηγίες σχετικά με τη χρήση του εργαλείου από άτομο υπεύθυνο για την ασφάλειά τους.
- ◆ Τα παιδιά πρέπει να επιτηρούνται, ώστε να διασφαλίζεται ότι δεν παίζουν με τη συσκευή.

Υπολειπόμενοι κίνδυνοι

Κατά τη χρήση του εργαλείου μπορεί να δημιουργηθούν πρόσθετοι υπολειπόμενοι κίνδυνοι, οι οποίοι ενδέχεται να μη συμπεριλαμβάνονται στις προειδοποιήσεις ασφαλείας που εσωκλείονται. Αυτοί οι κίνδυνοι μπορεί να προκληθούν από κακή χρήση, παρατεταμένη χρήση κλπ. Παρά την εφαρμογή των σχετικών κανονισμών ασφαλείας και τη χρήση διατάξεων ασφαλείας, ορισμένοι υπολειπόμενοι κίνδυνοι δεν είναι δυνατόν να αποφευχθούν. Σε αυτούς περιλαμβάνονται:

- ◆ Τραυματισμοί από την επαφή με οποιαδήποτε περιστρεφόμενα/κινούμενα μέρη.
- ◆ Τραυματισμοί από αλλαγή οποιωνδήποτε εξαρτημάτων, λεπίδων ή αξεσουάρ.
- ◆ Σωματικές βλάβες από παρατεταμένη χρήση εργαλείου. Όταν χρησιμοποιείτε οποιοδήποτε εργαλείο για παρατεταμένα χρονικά διαστήματα, μην παραλείπετε με κανένα τρόπο να κάνετε τακτικά διαλείμματα.
- ◆ Βλάβη της ακοής.
- ◆ Κίνδυνοι για την υγεία λόγω εισπνοής σκόνης που αναπτύσσεται κατά τη χρήση του εργαλείου (παράδειγμα:- εργασία με ξύλο, ειδικά βελανιδιά, οξιά και MDF).

Κραδασμοί

Οι δηλωμένες τιμές εκπομπής κραδασμών που αναφέρονται στα τεχνικά χαρακτηριστικά και στη δήλωση συμμόρφωσης έχουν μετρηθεί σύμφωνα με τυποποιημένη μέθοδο δοκιμής που προβλέπεται από το πρότυπο EN62841 και μπορούν να χρησιμοποιηθούν για τη σύγκριση ενός εργαλείου με ένα άλλο.

Η δηλωμένη τιμή εκπομπής κραδασμών μπορεί επίσης να χρησιμοποιηθεί σε έναν προκαταρκτικό προσδιορισμό της έκθεσης σε κραδασμούς.

Προειδοποίηση! Στην πράξη, η τιμή εκπομπής κραδασμών κατά την χρήση του ηλεκτρικού εργαλείου μπορεί να διαφέρει από την τιμή που δηλώθηκε, ανάλογα με τον τρόπο που χρησιμοποιείται το εργαλείο. Το επίπεδο κραδασμών μπορεί να αυξηθεί πάνω από το επίπεδο που έχει δηλωθεί. Κατά τον προσδιορισμό της έκθεσης σε κραδασμούς για τον καθορισμό των απαιτούμενων μέτρων ασφαλείας σύμφωνα με την οδηγία 2002/44/EK για την προστασία προσώπων που χρησιμοποιούν συχνά ηλεκτρικά εργαλεία στην εργασία τους, μια προσεγγιστική εκτίμηση της έκθεσης σε κραδασμούς πρέπει να λαμβάνει υπόψη τις πραγματικές συνθήκες χρήσης και τον τρόπο χρήσης του εργαλείου, συμπεριλαμβανομένων και όλων των επιμέρους τμημάτων του κύκλου εργασίας, όπως τα χρονικά διαστήματα που το εργαλείο ήταν εκτός λειτουργίας και τα διαστήματα λειτουργίας χωρίς φορτίο, επιπλέον του χρόνου πίεσης της σκανδάλης.

Ετικέτες πάνω στο εργαλείο

Τα εικονογράμματα που ακολουθούν μαζί με τον κωδικό ημερομηνίας εμφανίζονται πάνω στο εργαλείο:



Προειδοποίηση! Για να μειωθεί ο κίνδυνος τραυματισμού, ο χρήστης πρέπει να διαβάσει το εγχειρίδιο οδηγιών.



Μην κοιτάζετε απ' ευθείας τη λάμπα λειτουργίας

Σημαντικές οδηγίες ασφαλείας για όλα τα εργαλεία με ενσωματωμένη μπαταρία

Προειδοποίηση! Διαβάστε όλες τις προειδοποιήσεις ασφαλείας, τις οδηγίες και τις επισημάνσεις προσοχής για την μπαταρία, τον φορτιστή και το προϊόν. Η μη τήρηση των προειδοποιήσεων και των οδηγιών μπορεί να έχει ως αποτέλεσμα ηλεκτροπληξία, πυρκαγιά και/ή σοβαρό τραυματισμό.

- ◆ Ποτέ μην εισάγετε με τη βία στο εργαλείο ένα βύσμα φορτιστή.
- ◆ ΜΗΝ τροποποιήσετε με κανένα τρόπο ένα βύσμα φορτιστή ενός ασύμβατου φορτιστή για να εφαρμόσει στο εργαλείο, επειδή η μπαταρία μπορεί να σπάσει προκαλώντας σοβαρό τραυματισμό.
- ◆ ΜΗ φορτίζετε και μη χρησιμοποιείτε την μπαταρία σε εκρηκτικές ατμόσφαιρες, όπως με την παρουσία εύφλεκτων υγρών, αερίων ή σκόνης. Η εισαγωγή ή αφαίρεση του βύσματος φορτιστή από το εργαλείο μπορεί να προκαλέσει ανάφλεξη της σκόνης ή των αναθυμιάσεων.
- ◆ Φορτίζετε την μπαταρία μόνο με το παρεχόμενο καλώδιο φόρτισης και κατάλληλο τροφοδοτικό κλάσης 2.
- ◆ ΜΗΝ αφήνετε να βραχεί η συσκευή και μην τη βυθίσετε σε νερό.
- ◆ ΜΗΝ επιτρέπετε σε νερό ή άλλο υγρό να εισέλθει στο εργαλείο.
- ◆ ΜΗΝ αποθηκεύετε ή χρησιμοποιείτε το εργαλείο σε θέσεις όπου η θερμοκρασία μπορεί να φθάσει ή να υπερβεί τους 40 °C (104 °F) (όπως έξω από καλυμμένα μέρη ή σε μεταλλικά κτίρια το καλοκαίρι). Για τη μεγαλύτερη δυνατή διάρκεια ζωής, φυλάσσετε τα εργαλεία σε δροσερό, ξηρό μέρος.
- ◆ Μη φυλάσσετε το εργαλείο με τον διακόπτη ασφαλισμένο στην ενεργοποιημένη κατάσταση. Ποτέ μην κολλήσετε με ταινία τον διακόπτη στην ενεργοποιημένη θέση.
- ◆ ΜΗ ρίξετε το εργαλείο σε φωτιά, ακόμα και αν έχει σοβαρή ζημιά ή είναι τελείως φθαρμένο. Η μπαταρία μπορεί να εκραγεί σε φωτιά. Όταν καίγονται μπαταρίες ιόντων λιθίου παράγονται τοξικές αναθυμιάσεις και υλικά.

- ◆ Αν τα περιεχόμενα της μπαταρίας έρθουν σε επαφή με το δέρμα, πλύνετε αμέσως την περιοχή με ήπιο σαπούνι και νερό. Αν το υγρό της μπαταρίας έρθει σε επαφή με το μάτι, ξεπλύνετε το ανοικτό μάτι με νερό για 15 λεπτά ή έως ότου σταματήσει ο ερεθισμός. Αν χρειαστεί ιατρική βοήθεια, αναφέρετε ότι ο ηλεκτρολύτης της μπαταρίας αποτελείται από μείγμα υγρών οργανικών ανθρακικών ενώσεων και αλάτων λιθίου.
- ◆ Τα περιεχόμενα των ανοιγμένων στοιχείων μπαταρίας μπορεί να προκαλέσουν ερεθισμό του αναπνευστικού συστήματος. Παρέχετε καθαρό αέρα. Αν τα συμπτώματα επιμένουν, ζητήστε ιατρική βοήθεια.
- ◆ Το υγρό της μπαταρίας μπορεί να αναφλεγεί αν εκτεθεί σε σπινθήρα ή φλόγα.
- ◆ Ποτέ μην επιχειρήσετε να ανοίξετε το εργαλείο, για κανένα λόγο.

Αν το περίβλημα του εργαλείου είναι ραγισμένο ή έχει υποστεί ζημιά, μην φορτίσετε το εργαλείο. Μην συνθλίψετε, ρίξετε κάτω ή προξενήσετε ζημιά στο εργαλείο.

Μη χρησιμοποιήσετε εργαλείο ή φορτιστή που έχει δεχθεί ισχυρό χτύπημα, έχει πέσει, έχει παρασυρθεί από όχημα ή έχει υποστεί ζημιά με οποιονδήποτε τρόπο (π.χ τρυπηθεί με καρφί, χτυπηθεί με σφυρί, πατηθεί).

Τα εργαλεία που έχουν υποστεί ζημιά θα πρέπει να παραδίδονται στο κέντρο σέρβις για ανακύκλωση.

Υποδείξεις για την αποθήκευση

Το καλύτερο μέρος αποθήκευσης είναι ένα δροσερό και ξηρό μέρος, μακριά από άμεση ηλιακή ακτινοβολία και από υπερβολική ζέση ή κρύο.

Αποθηκεύετε το εργαλείο πλήρως φορτισμένο και αποσυνδεδεμένο από τον φορτιστή.

Μεταφορά

Σημείωση: Τα εργαλεία με ενσωματωμένη μπαταρία ιόντων λιθίου δεν πρέπει να τοποθετούνται σε παραδιδόμενες αποσκευές σε αεροπλάνα και πρέπει να προστατεύονται κατάλληλα από βραχυκυκλώματα αν περιέχονται σε χειραποσκευές.

Σημαντικές οδηγίες ασφαλείας για φόρτιση όλων των ενσωματωμένων μπαταριών

Προειδοποίηση! Διαβάστε όλες τις προειδοποιήσεις ασφαλείας, οδηγίες και επισημάνσεις προσοχής για την μπαταρία, το καλώδιο φόρτισης και το προϊόν. Η μη τήρηση των προειδοποιήσεων και των οδηγιών μπορεί να έχει ως αποτέλεσμα ηλεκτροπληξία, πυρκαγιά και/ή σοβαρό τραυματισμό.

- ◆ Το παρεχόμενο καλώδιο φόρτισης δεν προορίζεται για άλλες χρήσεις εκτός από φόρτιση επαναφορτιζόμενων εργαλείων BLACK+DECKER με θύρες φόρτισης τύπου micro.

Η φόρτιση άλλων τύπων εργαλείων μπορεί να προκαλέσει υπερθέρμανση και σκάσιμο των μπαταριών, με αποτέλεσμα τραυματισμό, υλικές ζημιές, φωτιά, ηλεκτρικό σοκ ή και θανατηφόρα ηλεκτροπληξία.

- ◆ ΜΗΝ εκθέτετε το καλώδιο φόρτισης σε νερό, βροχή ή χιόνι.
- ◆ Τραβάτε τα βύσματα και όχι το καλώδιο όταν αποσυνδέετε το καλώδιο φόρτισης. Με αυτόν τον τρόπο θα μειωθεί ο κίνδυνος ζημιάς στα βύσματα και στο καλώδιο.
- ◆ βεβαιώνετε ότι το καλώδιο είναι τοποθετημένο ώστε να μην πατηθεί, μπερδεύεται σε πόδια ή υποβληθεί σε οποιαδήποτε ζημιά ή καταπόνηση.
- ◆ Όταν φορτίζετε το εργαλείο σε εξωτερικό χώρο, πάντα να φροντίζετε αυτό να γίνεται σε ξηρή θέση.
- ◆ ΜΗ χρησιμοποιήσετε καλώδιο φόρτισης με ζημιά στο ίδιο το καλώδιο ή στα βύσματά του. Φροντίστε να αντικατασταθούν άμεσα.
- ◆ Ξένα υλικά αγωγίμης φύσης, όπως είναι, αλλά χωρίς να περιορίζονται σε, σκόνη από εργασίες λείανσης, μεταλλικά ρινίσματα, σύρμα τριψίματος, αλουμινοχαρτό ή οποιαδήποτε συσσώρευση μεταλλικών σωματιδίων θα πρέπει να διατηρούνται μακριά από τα βύσματα και τη θύρα φόρτισης και τα αντίστοιχα εξαρτήματα φόρτισης τύπου micro.
- ◆ Πάντα αποσυνδέετε το καλώδιο φόρτισης από το τροποδοτικό όταν δεν υπάρχει εργαλείο συνδεδεμένο σε αυτό.

Ασφαλής χρήση ηλεκτρικού ρεύματος

Ο φορτιστής σας φέρει διπλή μόνωση. Επομένως, δεν απαιτείται αγωγός γείωσης. Ελέγχετε πάντα ότι η τάση ρεύματος δικτύου συμφωνεί με αυτήν που αναγράφεται στην πινακίδα τεχνικών χαρακτηριστικών. Ποτέ μην επιχειρήσετε να αντικαταστήσετε τη μονάδα φορτιστή με κανονικό φως ρεύματος δικτύου.



- ◆ Αν το καλώδιο ρεύματος έχει υποστεί ζημιά, πρέπει να αντικατασταθεί από τον κατασκευαστή ή ένα εξουσιοδοτημένο κέντρο σέρβις BLACK+DECKER, για την αποφυγή κινδύνου.

Προειδοποίηση! Ποτέ μην επιχειρήσετε να αντικαταστήσετε τη μονάδα φορτιστή με κανονικό φως ρεύματος δικτύου.

Χαρακτηριστικά

Στο εργαλείο αυτό περιλαμβάνονται μερικά ή όλα από τα παρακάτω χαρακτηριστικά:

1. Διακόπτης ρύθμισης ταχύτητας
2. Συρόμενος επιλογέας περιστροφής εμπρός/όπισθεν
3. Κολάρο ρύθμισης ροπής
4. Αυτόματο τσοκ
5. Φορτιστής

- 5a. Θύρα φόρτισης
 5b. Ένδειξη φόρτισης (δεν είναι ορατή μέχρι τη σύνδεση στο ρεύμα)
 6. Μηχανισμός διπλού εύρους ταχυτήτων
 7. Φως εργασίας LED

Φόρτιση της μπαταρίας (εικ. Α)

Η ενσωματωμένη μπαταρία πρέπει να φορτιστεί πριν την πρώτη χρήση και όταν δεν μπορεί πλέον να παρέχει επαρκή ισχύ σε εργασίες που πριν γινόντουσαν εύκολα. Η μπαταρία μπορεί να θερμαίνεται κατά τη φόρτιση. Κάτι τέτοιο είναι φυσιολογικό και δεν υποδηλώνει πρόβλημα.

Προειδοποίηση! Μη φορτίζετε την μπαταρία σε θερμοκρασίες περιβάλλοντος κάτω από 10 °C ή πάνω από 40 °C. Η συνιστώμενη θερμοκρασία φόρτισης είναι περίπου 24 °C.

Σημείωση: Ο φορτιστής δεν θα φορτίσει μια μπαταρία με θερμοκρασία στοιχείων κάτω από περίπου 10 °C ή πάνω από 40 °C.

Η ενσωματωμένη μπαταρία θα πρέπει να παραμείνει συνδεδεμένη στον φορτιστή και αυτός θα αρχίσει να τη φορτίζει αυτόματα μόλις η θερμοκρασία στοιχείων αυξηθεί ή μειωθεί αντίστοιχα.

- ◆ Εισαγάγετε τον σύνδεσμο φόρτισης (5) στη θύρα φόρτισης (5a).
- ◆ Συνδέστε τον σύνδεσμο φόρτισης (5).
- ◆ Αφήστε το εργαλείο συνδεδεμένο στον φορτιστή για περίπου 4 ώρες.
- ◆ Η ενδεικτική λυχνία φόρτισης (5b) θα είναι αναμμένη κατά τη φόρτιση.

Οδηγίες χρήσης

Διακόπτης σκανδάλης και κουμπί αντιστροφής κίνησης (εικ. Β, C)

- ◆ Ενεργοποιείτε και απενεργοποιείτε το δράπανο πατώντας και αφήνοντας αντίστοιχα τον διακόπτη-σκανδάλη (1). Όσο περισσότερο πατάτε τον διακόπτη σκανδάλης, τόσο μεγαλύτερη είναι η ταχύτητα λειτουργίας του δρανάνου.
- ◆ Ένα κουμπί ελέγχου κίνησης προς τα εμπρός/πίσω (2) καθορίζει την κατεύθυνση κίνησης του εργαλείου και ταυτόχρονα χρησιμεύει και ως κουμπί απασφάλισης.
- ◆ Για να επιλέξετε περιστροφική κίνηση προς τα εμπρός, ελευθερώστε τον διακόπτη σκανδάλης και πιέστε το κουμπί ελέγχου περιστροφής εμπρός/όπισθεν προς τα αριστερά.
- ◆ Για να επιλέξετε όπισθεν, πιέστε το κουμπί ελέγχου περιστροφής εμπρός/όπισθεν στην αντίθετη κατεύθυνση.
- ◆ Για να ασφαλίσετε το εργαλείο, θέστε τον συρόμενο επιλογέα περιστροφής εμπρός/όπισθεν στη μεσαία θέση.

Σημείωση: Η μεσαία θέση του κουμπιού ελέγχου ασφαλίζει το εργαλείο στη θέση απενεργοποίησης.

Όταν αλλάζετε τη θέση του κουμπιού ελέγχου, να βεβαιώνετε ότι έχει ελευθερωθεί προηγουμένως η σκανδάλη.

Έλεγχος ροπής (εικ. D)

Αυτό το εργαλείο είναι εξοπλισμένο με ένα κολάρο (3) για την επιλογή τρόπου λειτουργίας και για τη ρύθμιση της ροπής, όταν σφίγγετε βίδες. Οι μεγάλες βίδες και τα σκληρά αντικείμενα εργασίας χρειάζονται υψηλότερη ρύθμιση ροπής από τις μικρές βίδες και τα μαλακά αντικείμενα εργασίας.

- ◆ Για διάτρηση, θέστε το κολάρο στη θέση με το σύμβολο διάτρησης 2
- ◆ Για βίδωμα, ρυθμίστε το κολάρο στην επιθυμητή θέση. Αν δεν γνωρίζετε ακόμη την κατάλληλη ρύθμιση, προχωρήστε ως εξής:
- ◆ Τοποθετήστε το κολάρο στη χαμηλότερη ρύθμιση ροπής.
- ◆ Σφίξτε την πρώτη βίδα.
- ◆ Αν ο συμπλέκτης αποσυμπλέκεται πριν επιτευχθεί το επιθυμητό αποτέλεσμα, αυξήστε τη ρύθμιση του κολάρου και συνεχίστε τη σύσφιξη της βίδας. Επαναλάβετε μέχρι να επιτύχετε τη σωστή ρύθμιση. Χρησιμοποιήστε την ίδια ρύθμιση και για τις υπόλοιπες βίδες.

Αυτόματο τσοκ (Εικ. Ε)

Προειδοποίηση! Πριν την εγκατάσταση ή αφαίρεση αξεσουάρ, να βεβαιώνετε ότι έχετε χρησιμοποιήσει το κουμπί ασφάλισης, για να αποφύγετε ενεργοποίηση του διακόπτη.

Για να τοποθετήσετε ένα τρυπάνι ή άλλο αξεσουάρ:

- ◆ Πιάστε το πίσω μισό του τσοκ (8) με το ένα χέρι και χρησιμοποιήστε το άλλο χέρι για να περιστρέψετε το μπροστινό μισό (9) σε αριστερόστροφη κατεύθυνση, όπως φαίνεται από το άκρο τσοκ.
- ◆ Εισαγάγετε το τρυπάνι ή άλλο αξεσουάρ τελείως μέσα στο τσοκ και σφίξτε το τσοκ καλά κρατώντας το πίσω μισό του τσοκ και περιστρέφοντας το μπροστινό τμήμα δεξιόστροφα όπως φαίνεται από το άκρο του τσοκ.

Προειδοποίηση! Μην επιχειρήσετε να σφίξετε τρυπάνια (ή οποιοδήποτε άλλο αξεσουάρ) πιάνοντας το μπροστινό τμήμα του τσοκ και ενεργοποιώντας το εργαλείο. Μπορεί να προκληθεί ζημιά στο τσοκ και τραυματισμός κατά την αλλαγή των αξεσουάρ με αυτόν τον τρόπο.

Μηχανισμός διπλού εύρους ταχυτήτων (Εικ. F)

Το χαρακτηριστικό δύο περιοχών ταχυτήτων του δρανάνου, σας επιτρέπει να αλλάζετε ταχύτητες για μεγαλύτερη ευελιξία χρήσης. Για να επιλέξετε τη ρύθμιση χαμηλής ταχύτητας, υψηλής ροπής (θέση 1), απενεργοποιήστε το εργαλείο και αφήστε το να σταματήσει. Μετακινήστε το κουμπί επιλογής ταχύτητας (6) σε κατεύθυνση αντίθετη του τσοκ.

Για να επιλέξετε τη ρύθμιση υψηλής ταχύτητας, χαμηλής ροπής (θέση 2), απενεργοποιήστε το εργαλείο και αφήστε το να σταματήσει.

Μετακινήστε το κουμπί επιλογής ταχύτητας προς την κατεύθυνση του ποικ.

Σημείωση: Μην αλλάζετε περιοχές ταχύτητας με το εργαλείο σε λειτουργία. Αν δυσκολεύεστε στην αλλαγή ταχύτητας, βεβαιωθείτε ότι το κουμπί επιλογής ταχύτητας δύο περιοχών έχει μετακινήσει είτε τελείως μπροστά είτε τελείως πίσω

Διάρθρωση/βίδωμα (Εικ. C)

- ◆ Επιλέξτε περιστροφή εμπρός ή όπισθεν χρησιμοποιώντας τον ανώτερο επιλογέα περιστροφής εμπρός/όπισθεν (2).
- ◆ Για να ενεργοποιήσετε το εργαλείο, πιέστε τον διακόπτη (1).
Η ταχύτητα λειτουργίας του εργαλείου εξαρτάται από το πόσο πιέζετε τον διακόπτη.
- ◆ Για να απενεργοποιήσετε το εργαλείο, απελευθερώστε τον διακόπτη.

Συμβουλές για βέλτιστη χρήση

Διάρθρωση

- ◆ Χρησιμοποιείτε αιχμηρά τρυπάνια και μόνο.
- ◆ Υποστηρίξτε και στερεώστε σωστά το αντικείμενο εργασίας, όπως υποδεικνύεται στις Οδηγίες ασφαλείας.
- ◆ Χρησιμοποιείτε τον κατάλληλο και απαιτούμενο εξοπλισμό ασφαλείας, όπως υποδεικνύεται στις Οδηγίες ασφαλείας.
- ◆ Προστατέψτε και διατηρείτε σε καλή κατάσταση την περιοχή εργασίας, όπως υποδεικνύεται στις Οδηγίες ασφαλείας.
- ◆ Ξεκινάτε τη διάρθρωση με πολύ μικρή ταχύτητα, χρησιμοποιώντας μόνο μικρή πίεση, έως ότου ξεκινήσει η σπή και επαρκεί να συγκρατεί το τρυπάνι χωρίς να κινδυνεύει να γλιστρήσει έξω από αυτή.
- ◆ Ασκήτε πίεση σε ευθεία γραμμή με το τρυπάνι. Ασκήτε όση πίεση χρειάζεται για να μπορεί το τρυπάνι να προχωράει μέσα στο αντικείμενο, όχι όμως σε υπερβολικό βαθμό γιατί υπάρχει κίνδυνος να ακινητοποιηθεί το μοτέρ ή να λυγίσει το τρυπάνι.
- ◆ Κρατάτε το τρυπάνι καλά και με τα δύο χέρια ώστε να ελέγχετε την κίνηση συστροφής του.
- ◆ **ΑΝ ΤΟ ΔΡΑΠΑΝΟ ΑΚΙΝΗΤΟΠΟΙΗΘΕΙ, ΜΗΝ ΠΑΤΑΤΕ ΚΑΙ ΑΦΗΝΕΤΕ ΤΗ ΣΚΑΝΔΑΛΗ ΠΡΟΣΠΑΘΩΝΤΑΣ ΝΑ ΤΟ ΘΕΣΕΤΕ ΠΑΛΙ ΣΕ ΚΙΝΗΣΗ. ΜΠΟΡΕΙ ΝΑ ΠΡΟΚΛΗΘΕΙ ΖΗΜΙΑ ΣΤΟ ΔΡΑΠΑΝΟ**
- ◆ Ελαχιστοποιήστε το ενδεχόμενο κολλήματος κατά το τελικό άνοιγμα της σπής μειώνοντας την πίεση και τρυπώντας αργά στο τελευταίο τμήμα της σπής.
- ◆ Αφήστε το μοτέρ να λειτουργεί καθώς αφαιρείτε το τρυπάνι από μια σπή που μόλις διανοίξατε. Αυτό συμβάλλει στον περιορισμό του κολλήματος.
- ◆ Βεβαιωθείτε ότι ο διακόπτης ενεργοποιεί και απενεργοποιεί το δράπανο.

Διάρθρωση σε ξύλο

Οι σπές στο ξύλο μπορούν να γίνουν με τα ίδια ελικοειδή τρυπάνια που χρησιμοποιούνται για μέταλλο, ή με τρυπάνια τύπου φτερού. Αυτά τα τρυπάνια θα πρέπει να είναι αιχμηρά και να τα τραβάτε έξω συχνά κατά τη διάρθρωση ώστε να φεύγουν τα πριονίδια από τις αυλακώσεις τους.

Διάρθρωση σε μέταλλο

Χρησιμοποιείτε λιπαντικό κοπής κατά τη διάρθρωση μετάλλων. Εξαιρέσεις είναι ο χυτοσίδηρος και ο ορείχαλκος όπου πρέπει να γίνεται ξηρή διάρθρωση. Τα πιο αποτελεσματικά λιπαντικά κοπής είναι το θειωμένο λάδι κοπής και το λάδι από λαρδί

Διάρθρωση σε τοιχοποιία

Για διάρθρωση σε υλικά τοιχοποιίας ρυθμίστε το κολάρο (3) στη θέση κρουστικής διάρθρωσης, ευθυγραμμίζοντας το σύμβολο με την ένδειξη.

Μετακινήστε τον επιλογέα ταχύτητας (6) προς το μπροστινό μέρος του εργαλείου (2η ταχύτητα).

Βίδωμα

- ◆ Χρησιμοποιείτε πάντα μύτες κατασβιδιού του κατάλληλου τύπου και μεγέθους.
- ◆ Αν είναι δύσκολη η σύσφιξη των βιδών, δοκιμάστε να απλώσετε μια μικρή ποσότητα υγρού απορρυπαντικού ή σαπουνιού ως λιπαντικό.
- ◆ Πάντοτε κρατάτε το εργαλείο και τη μύτη κατασβιδιού σε ευθεία γραμμή με τη βίδα.

Αντιμετώπιση προβλημάτων

Πρόβλημα	Πιθανή αιτία	Πιθανή λύση
Η μονάδα δεν τίθεται σε λειτουργία.	Η μπαταρία δεν είναι φορτισμένη.	Ελέγξτε τις απαιτήσεις φόρτισης της μπαταρίας
Το πακέτο μπαταριών δεν φορτίζεται.	Ο φορτιστής δεν έχει συνδεθεί στο ρεύμα. Η θερμοκρασία αέρα περιβάλλοντος είναι πολύ θερμή ή πολύ ψυχρή.	Συνδέστε τον φορτιστή σε πρίζα που λειτουργεί. Μετακινήστε τον φορτιστή σε θέση με θερμοκρασία αέρα περιβάλλοντος πάνω από 4,5 °C (40 °F) ή κάτω από 40,5 °C (105 °F)
Η μονάδα σβήνει ξαφνικά.	Η μπαταρία έχει φθάσει στο όριο μέγιστης θερμοκρασίας της. Εκτός φόρτισης. (Για να μεγιστοποιηθεί η διάρκεια ζωής του, το πακέτο μπαταριών έχει σχεδιαστεί να απενεργοποιείται άμεσα όταν εξαντληθεί η φόρτισή του)	Αφήστε την μπαταρία να κρυσώσει. Τοποθετήστε το στον φορτιστή και αφήστε το να φορτιστεί.

Συντήρηση

Το εργαλείο BLACK+DECKER που έχετε στην κατοχή σας έχει σχεδιαστεί έτσι ώστε να λειτουργεί για μεγάλο χρονικό διάστημα με την ελάχιστη δυνατή συντήρηση.

Η συνεχής ικανοποιητική λειτουργία του εργαλείου εξαρτάται από τη σωστή φροντίδα και τον τακτικό καθαρισμό του.

Ο φορτιστής σας δεν χρειάζεται καμία άλλη συντήρηση πέραν του τακτικού καθαρισμού.

Προειδοποίηση! Πριν πραγματοποιήσετε οποιαδήποτε εργασία καθαρισμού ή συντήρησης στο εργαλείο, αποσυνδέστε το φορτιστή από την πρίζα.

- ◆ Καθαρίζετε τακτικά τις εγχοπές εξαερισμού του εργαλείου με μια μαλακή βούρτσα ή με ένα στεγνό πανί.
- ◆ Καθαρίζετε τακτικά το περίβλημα του μοτέρ με ένα υγρό πανί. Μη χρησιμοποιείτε καθαριστικά που χαράζουν ή περιέχουν διαλύτες.

Προστασία του περιβάλλοντος



Χωριστή συλλογή. Τα προϊόντα και οι μπαταρίες που επισημαίνονται με αυτό το σύμβολο δεν πρέπει να απορρίπτονται μαζί με τα κανονικά οικιακά απορρίμματα.

Τα προϊόντα και οι μπαταρίες περιέχουν υλικά που μπορούν να ανακτηθούν ή να ανακυκλωθούν, ώστε να μειωθούν οι ανάγκες για πρώτες ύλες.

Παρακαλούμε να ανακυκλώνετε τα ηλεκτρικά προϊόντα και τις μπαταρίες σύμφωνα με τους τοπικούς κανονισμούς.

Περισσότερες πληροφορίες διατίθενται στον ιστότοπο www.2helpU.com

Τεχνικά χαρακτηριστικά

		REVHD12C H1
Τάση	V_{DC}	12
Ταχύτητα χωρίς φορτίο	min^{-1}	0-350 / 0-1350 /min (σ.α.λ.)
Μέγ. ροπή	Nm	17,5/40
Μέγεθος τσοκ	mm	1-10
Μέγ. ικανότητα διάτρησης		
Χάλυβας/ξύλο/τσιτσιποία	mm	10 / 25 / 10
Βάρος	kg	1,0

Ενσωματωμένη μπαταρία		
Τύπος μπαταρίας		Ιόντων λιθίου
Ονομαστική τιμή Ah		1,5

Φορτιστής		S010*1400040
Τάση εισόδου	V_{AC}	230
Τάση εξόδου	V_{DC}	10,8
Ρεύμα	mA	400 mA
Χρόνος φόρτισης περ.	ώρ.	4

Στάθμη ηχητικής πίεσης κατά EN 62841:	
Ηχητική πίεση (L_{pA})	84, αβεβαιότητα (K) 5 dB(A)
Ηχητική ισχύς (L_{WA})	95 dB(A), αβεβαιότητα (K) 5 dB(A)

Συνολικές τιμές κραδασμών (διανυσματικό άθροισμα τριών αξόνων) κατά EN 62841:

Διάτρηση σε μέταλλο (a_h) 0,9 m/s^2 , αβεβαιότητα (K) 1,5 m/s^2
Κρουστική διάτρηση σε σκυροδέμα (a_h) 17,1 m/s^2 , αβεβαιότητα (K) 1,5 m/s^2

Δήλωση συμμόρφωσης ΕΚ

ΟΔΗΓΙΑ ΣΧΕΤΙΚΑ ΜΕ ΤΑ ΜΗΧΑΝΗΜΑΤΑ



REVHD12C κρουστικό τρυπάνι

H Black & Decker δηλώνει ότι τα προϊόντα αυτά που περιγράφονται στα "τεχνικά χαρακτηριστικά" συμμορφώνονται με τα ακόλουθα:
EN62841-1:2015, EN62841-2-1:2018+A11:2019.

Αυτά τα προϊόντα συμμορφώνονται και με την Οδηγία 2006/42/ΕΚ, 2014/30/ΕΕ και 2011/65/ΕΕ. Για περισσότερες πληροφορίες, επικοινωνήστε με την Black & Decker στην παρακάτω διεύθυνση ή ανατρέξτε στο πίσω μέρος του εγχειριδίου.

Ο κάτωθι υπογεγραμμένος είναι υπεύθυνος για την κατάρτιση του τεχνικού φακέλου και υποβάλλει αυτή τη δήλωση εξ ονόματος της

Black & Decker.

Patrick Diepenbach
Γενικός διευθυντής, Μπενελούξ
Black and Decker,
Egide Walschaertsstraat 14-18
2800 Mechelen, Belgium (Βέλγιο)
30/03/2022

Εγγύηση

H Black & Decker είναι σίγουρη για την ποιότητα των προϊόντων της και προσφέρει στους καταναλωτές εγγύηση 24 μηνών από την ημερομηνία αγοράς.

Αυτή η εγγύηση συμπληρώνει και με κανένα τρόπο δεν παραβάλλεται τα νόμιμα δικαιώματά σας. Η εγγύηση ισχύει εντός της επικράτειας των χωρών μελών της Ευρωπαϊκής Ένωσης, της Ευρωπαϊκής Ζώνης Ελευθέρων Συναλλαγών και του Ηνωμένου Βασιλείου.

Για να υποβάλετε αξίωση βάσει της εγγύησης, η αξίωση θα πρέπει να είναι σύμφωνη με τους Όρους και προϋποθέσεις της Black & Decker και θα χρειαστεί να υποβάλετε απόδειξη αγοράς στον πωλητή ή σε εξουσιοδοτημένο αντιπρόσωπο επισκευών.

Μπορείτε να αποκτήσετε τους Όρους και προϋποθέσεις της εγγύησης 2 ετών της Black & Decker και να μάθετε την τοποθεσία του πλησιέστερου εξουσιοδοτημένου αντιπροσώπου επισκευών στο Internet στο www.2helpU.com, ή επικοινωνώντας με το τοπικό σας γραφείο Black & Decker στη διεύθυνση που υποδεικνύεται στο παρόν εγχειρίδιο. Παρακαλούμε επισκεφθείτε την ιστοσελίδα μας www.blackanddecker.gr για να καταχωρίσετε το νέο σας προϊόν Black & Decker και για να ενημερώνεστε για τα νέα προϊόντα και τις ειδικές προσφορές.

België/Belgique/Luxembourg www.blackanddecker.be enduser.be@sbdinc.com	Stanley Black & Decker Belgium BVBA Egide Walschaertsstraat 16 2800 Mechelen	Tel. NL +32 15 47 37 65 Tel. FR +32 15 47 37 66 Fax. +32 15 47 37 99
Danmark	Black & Decker Roskildevej 22 2620 Albertslund	kundeservice.dk@sbdinc.com www.blackanddecker.dk
Deutschland www.blackanddecker.de infobfge@sdbinc.com	Stanley Black & Decker Deutschland GmbH Black & Decker Str. 40, D - 65510 Idstein	Tel. 06126 21-0 Fax 06126 21-2980
Ελλάδα www.blackanddecker.gr greece.service@sbdinc.com	Stanley Black & Decker (ΕΛΛΑΣ) Ε.Π.Ε ΓΡΑΦΕΙΑ: Σπύριδωνος 7 & Βουλιαγμένης 166 74 Γλυφάδα - Αθήνα	Τηλ. 210-8981616 Φαξ 210-8983570
SERVICE:	Ημερος Τόπος 2 -Χάνι Αδάμ 193 00 Ασπρόπυργος - Αθήνα	Τηλ. Service 210-8985208 Φαξ 210-5597598
España www.blackanddecker.es respuesta.posventa@sbdinc.com	Stanley Black & Decker Ibérica, S.C.A. Parc de Negocis "Mas Blau" Edificio Muntadas, c/Bergadá, 1, Of. A6 08820 El Prat de Llobregat (Barcelona)	Tel. 934 797 400 Fax 934 797 419
France www.blackanddecker.fr	Black & Decker (France) S.A.S. 5 allée des Hêtres B.P. 30084 69579 Limonest Cédex	Tel. 04 72 20 39 20 Fax 04 72 20 39 00
Helvetia www.blackanddecker.ch service@rofoag.ch	ROFO AG Gewerbezone Seeblick 3213 Kleinbösingen	Tel. 026-6749393 Fax 026-6749394
Italia www.blackanddecker.it service.italia@sbdinc.com	Stanley Black & Decker Italia Via Energypark 6 20871 Vimercate (MB)	Tel. 039-9590200 Fax 039-9590313 Numero verde 800-213935
Nederland www.blackanddecker.nl enduser.nl@sbdinc.com	Stanley Black & Decker Netherlands BV Holtum Noordweg 35, 6121 RE BORN Postbus 83, 6120 AB BORN	Tel. +31 164 283 065 Fax +31 164 283 200
Norge	Black & Decker Postboks 4613, Nydalen 0405 Oslo	kundeservice.no@sbdinc.com www.blackanddecker.no
Österreich www.blackanddecker.at service.austria@sbdinc.com	Stanley Black & Decker Austria GmbH Oberlaaerstraße 248, A-1230 Wien	Tel. 01 66116-0 Fax 01 66116-614
Portugal www.blackanddecker.pt resposta.posvenda@sbdinc.com	Black & Decker Limited SARL Quinta da Fonte - Edifício Q55 D. Diniz Rua dos Malhães, 2 e 2A - Piso 2 Esquerdo 2770 - 071 Paço de Arcos	Tel. 214667500 Fax 214667580
Suomi	Black & Decker PL47 00521, Helsinki	asiakaspalvelu.fi@sbdinc.com www.blackanddecker.fi
Sverige	Black & Decker AB Box 94, 431 22 Mölndal	kundservice.se@sbdinc.com www.blackanddecker.se
Türkiye www.blackanddecker.com.tr	KALE Hirdavat ve Makina A.Ş. Defferdar Mah. Savaklar Cad. No:15 Edimekapı / Eyüp / İstanbul 34050	Tel. 0212 533 52 55 Fax. 0212 533 10 05
United Kingdom & Republic Of Ireland www.blackanddecker.co.uk emeaservice@sbdinc.com	Black & Decker 270 Bath Road Slough, Berkshire SL1 4DX	Tel. 01753 511234 Fax 01753 512365
Middle East & Africa www.blackanddecker.ae service.mea@sbdinc.com	Black & Decker P.O.Box - 17164 Jebel Ali Free Zone (South), Dubai, UAE	Tel. +971 4 8863030 Fax +971 4 8863333