



EN

DE

FR

IT

NL

ES

PT

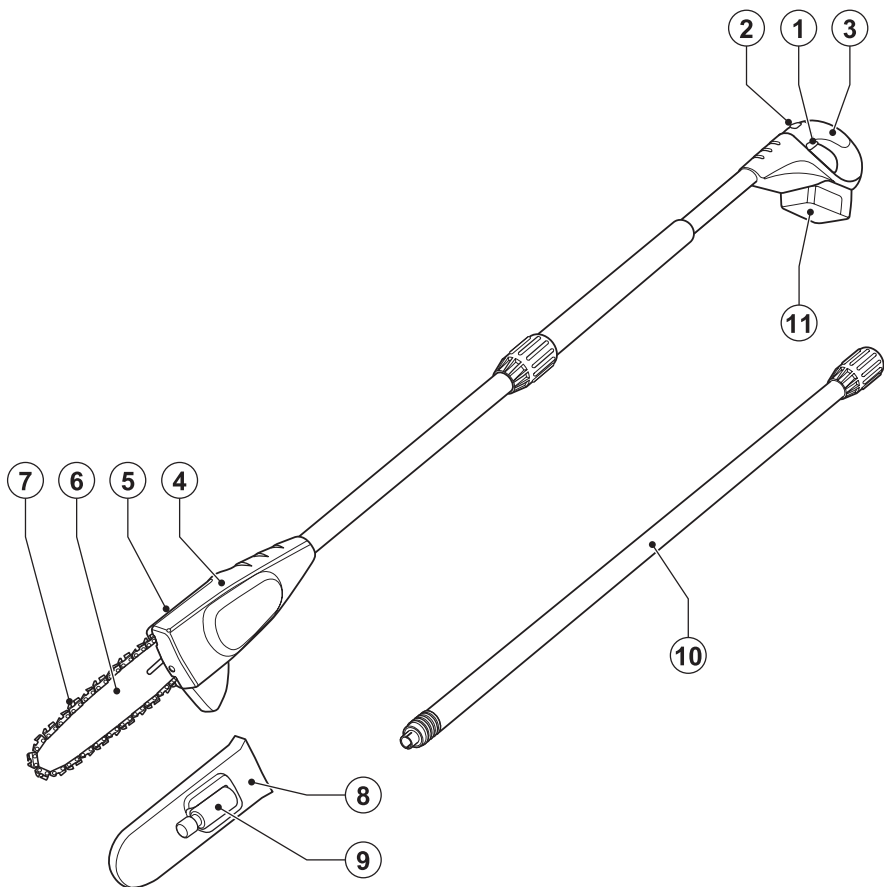
SV

NO

DK

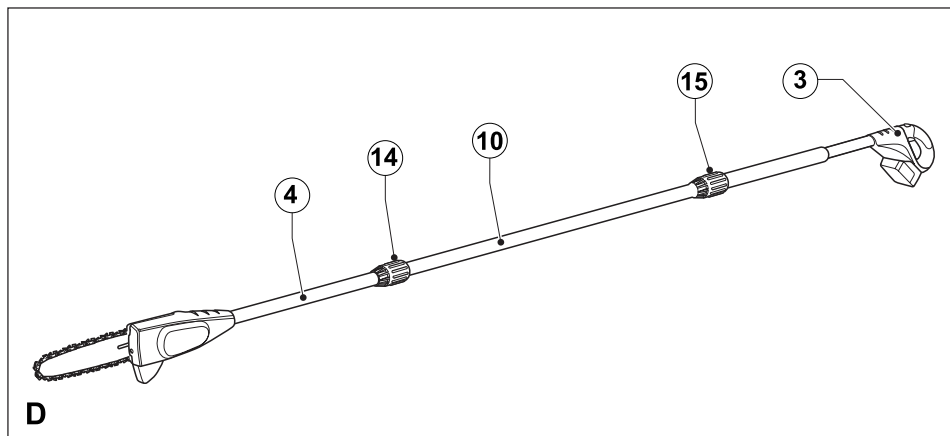
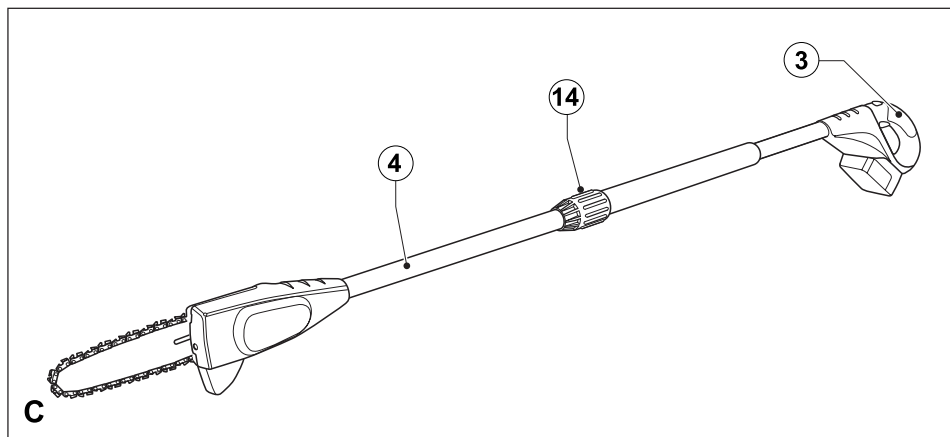
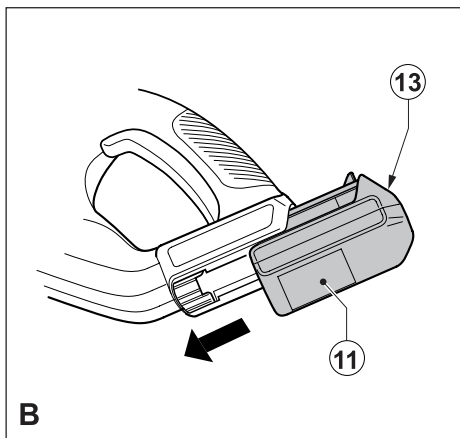
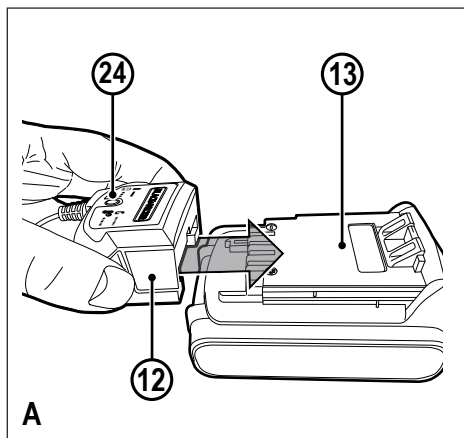
FI

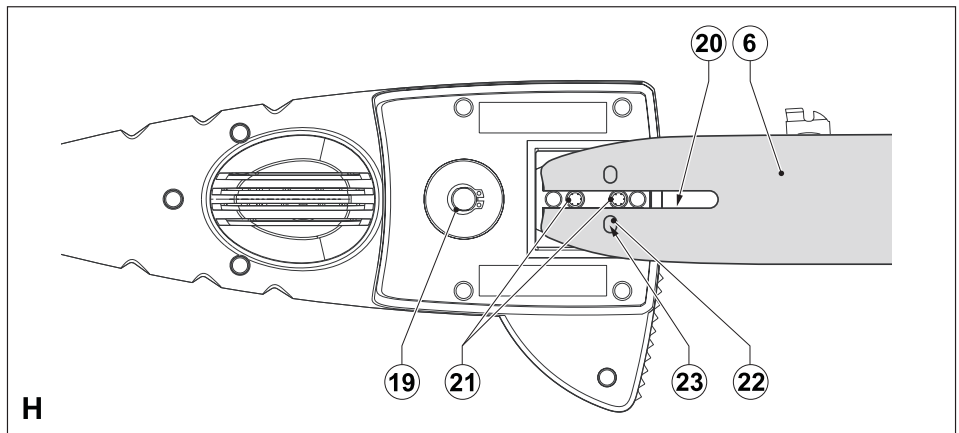
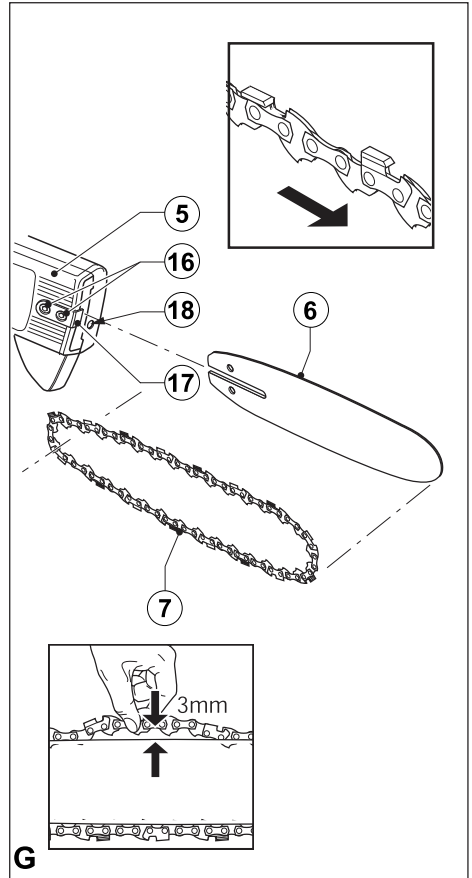
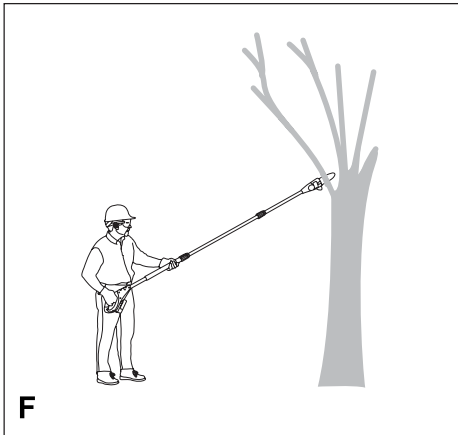
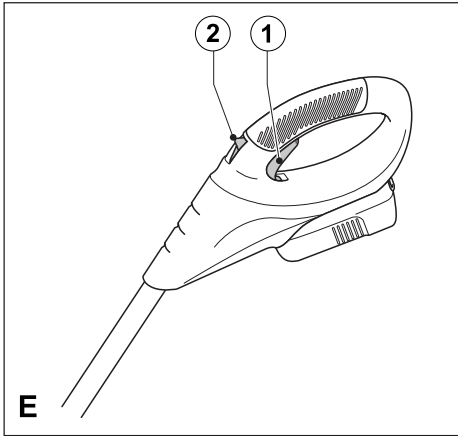
EL



www.blackanddecker.eu

PS1820ST1
PS1820L1





Intended use

Your BLACK+DECKER™ PS1820ST1, PS1820L1 cordless pole pruner has been designed for pruning trees. This tool is intended for consumer use only.

Your BLACK+DECKER charger has been designed for charging BLACK+DECKER batteries of the type supplied with this tool..

Safety instructions

General power tool safety warnings



Warning! Read all safety warnings and all instructions. Failure to follow the warnings and instructions listed below may result in electric shock, fire and/or serious injury.

Save all warnings and instructions for future reference.

The term "power tool" in all of the warnings listed below refers to your mains operated (corded) power tool or battery operated (cordless) power tool.

1. Work area safety

- a. **Keep work area clean and well lit.** Cluttered or dark areas invite accidents.
- b. **Do not operate power tools in explosive atmospheres, such as in the presence of flammable liquids, gases or dust.** Power tools create sparks which may ignite the dust or fumes.
- c. **Keep children and bystanders away while operating a power tool.** Distractions can cause you to lose control.

2. Electrical safety

- a. **Power tool plugs must match the outlet. Never modify the plug in any way. Do not use any adapter plugs with earthed (grounded) power tools.**
Unmodified plugs and matching outlets will reduce risk of electric shock.
- b. **Avoid body contact with earthed or grounded surfaces such as pipes, radiators, ranges and refrigerators.** There is an increased risk of electric shock if your body is earthed or grounded.
- c. **Do not expose power tools to rain or wet conditions.** Water entering a power tool will increase the risk of electric shock.
- d. **Do not abuse the cord. Never use the cord for carrying, pulling or unplugging the power tool. Keep cord away from heat, oil, sharp edges or moving parts.** Damaged or entangled cords increase the risk of electric shock.
- e. **When operating a power tool outdoors, use an extension cord suitable for outdoor use.** Use of a cord suitable for outdoor use reduces the risk of electric shock.

- f. **If operating a power tool in a damp location is unavoidable, use a residual current device (RCD) protected supply.** Use of an RCD reduces the risk of electric shock.
3. **Personal safety**
 - a. **Stay alert, watch what you are doing and use common sense when operating a power tool. Do not use a power tool while you are tired or under the influence of drugs, alcohol or medication.** A moment of inattention while operating power tools may result in serious personal injury.
 - b. **Use personal protective equipment. Always wear eye protection.** Protective equipment such as dust mask, non-skid safety shoes, hard hat, or hearing protection used for appropriate conditions will reduce personal injuries.
 - c. **Prevent unintentional starting. Ensure the switch is in the off-position before connecting to power source and/or battery pack, picking up or carrying the tool.** Carrying power tools with your finger on the switch or energising power tools that have the switch on invites accidents.
 - d. **Remove any adjusting key or wrench before turning the power tool on.** A wrench or a key left attached to a rotating part of the power tool may result in personal injury.
 - e. **Do not overreach. Keep proper footing and balance at all times.** This enables better control of the power tool in unexpected situations.
 - f. **Dress properly. Do not wear loose clothing or jewellery. Keep your hair, clothing and gloves away from moving parts.** Loose clothes, jewellery or long hair can be caught in moving parts.
 - g. **If devices are provided for the connection of dust extraction and collection facilities, ensure these are connected and properly used.** Use of dust collection can reduce dust-related hazards.
 - h. **Do not let familiarity gained from frequent use of tools allow you to become complacent and ignore tool safety principles.** A careless action can cause severe injury within a fraction of a second.
4. **Power tool use and care**
 - a. **Do not force the power tool. Use the correct power tool for your application.** The correct power tool will do the job better and safer at the rate for which it was designed.
 - b. **Do not use the power tool if the switch does not turn it on and off.** Any power tool that cannot be controlled with the switch is dangerous and must be repaired.
 - c. **Disconnect the plug from the power source and/or the battery pack from the power tool before making any adjustments, changing accessories, or storing power**

tools. Such preventive safety measures reduce the risk of starting the power tool accidentally.

- d. **Store idle power tools out of the reach of children and do not allow persons unfamiliar with the power tool or these instructions to operate the power tool.** Power tools are dangerous in the hands of untrained users.
 - e. **Maintain power tools. Check for misalignment or binding of moving parts, breakage of parts and any other condition that may affect the power tools operation. If damaged, have the power tool repaired before use.** Many accidents are caused by poorly maintained power tools.
 - f. **Keep cutting tools sharp and clean.** Properly maintained cutting tools with sharp cutting edges are less likely to bind and are easier to control.
 - g. **Use the power tool, accessories and tool bits etc. in accordance with these instructions, taking into account the working conditions and the work to be performed.** Use of the power tool for operations different from those intended could result in a hazardous situation.
 - h. **Keep handles and grasping surfaces dry, clean and free from oil and grease.** Slippery handles and grasping surfaces do not allow for safe handling and control of the tool in unexpected situations.
- 5. Battery tool use and care**
- a. **Recharge only with the charger specified by the manufacturer.** A charger that is suitable for one type of battery pack may create a risk of fire when used with another battery pack.
 - b. **Use power tools only with specifically designated battery packs.** Use of any other battery packs may create a risk of injury and fire.
 - c. **When battery pack is not in use, keep it away from other metal objects, like paper clips, coins, keys, nails, screws, or other small metal objects, that can make a connection from one terminal to another.** Shorting the battery terminals together may cause burns or a fire.
 - d. **Under abusive conditions, liquid may be ejected from the battery; avoid contact. If contact accidentally occurs, flush with water. If liquid contacts eyes, additionally seek medical help.** Liquid ejected from the battery may cause irritation or burns.
 - e. **Do not use a battery pack or tool that is damaged or modified.** Damaged or modified batteries may exhibit unpredictable behaviour resulting in fire, explosion or risk of injury.
 - f. **Do not expose a battery pack or tool to fire or excessive temperature.** Exposure to fire or temperature above 130 °C may cause explosion.
 - g. **Follow all charging instructions and do not charge the battery pack or tool outside the temperature range**

specified in the instructions. Charging improperly or at temperatures outside the specified range may damage the battery and increase the risk of fire.

6. Service

- a. **Have your power tool serviced by a qualified repair person using only identical replacement parts.** This will ensure that the safety of the power tool is maintained.
- b. **Never service damaged battery packs.** Service of battery packs should only be performed by the manufacturer or authorised service providers.

Additional power tool safety warnings



Warning! Additional safety instructions for pole pruners.

- ◆ **Keep all parts of the body away from the saw chain when the chainsaw is operating. Before you start the chainsaw, make sure the saw chain is not contacting anything.** A moment of inattention while operating chain saws may cause entanglement of your clothing or body with the chain saw.
- ◆ **Always hold the chainsaw with your right hand on the rear handle and your left hand on the front handle.** Holding the chainsaw with a reversed hand configuration increases the risk of personal injury and should never be done.
- ◆ **Hold the power tool by insulated gripping surfaces only, because the saw chain may contact hidden wiring.** Saw chains contacting a "live" wire may make exposed metal parts of the power tool "live" and could give the operator an electric shock.
- ◆ **Wear safety glasses and hearing protection. Further protective equipment for head, hands, legs and feet is recommended.** Adequate protective clothing will reduce personal injury by flying debris or accidental contact with the saw chain.
- ◆ **Do not operate a chainsaw in a tree.** Operation of a chainsaw while up in a tree may result in personal injury.
- ◆ **Always keep proper footing and operate the chain saw only when standing on fixed, secure and level surface.** Slippery or unstable surfaces such as ladders may cause a loss of balance or control of the chainsaw.
- ◆ **When cutting a limb that is under tension be alert for spring back.** When the tension in the wood fibres is released the spring loaded limb may strike the operator and/or throw the chain saw out of control.
- ◆ **Use extreme caution when cutting brush and saplings.** The slender material may catch the saw chain and be whipped toward you or pull you off balance.
- ◆ **Carry the chain saw by the front handle with the chain saw switched off and away from your body. When**

transporting or storing the chainsaw always fit the guide bar cover. Proper handling of the chain saw will reduce the likelihood of accidental contact with the moving saw chain.

- ◆ **Follow instructions for lubricating, chain tensioning and changing accessories.** Improperly tensioned or lubricated chain may either break or increase the chance for kickback
- ◆ **Keep handles dry, clean, and free from oil and grease.** Greasy, oily handles are slippery causing loss of control.
- ◆ **Cut wood only. Do not use chainsaw for purposes not intended.** For example: do not use the chainsaw for cutting plastic, masonry or non-wood building materials. Use of the chainsaw for operations different than intended could result in a hazardous situation.

Causes and operator prevention of kickback

Kickback may occur when the nose or tip of the guide bar touches an object, or when the wood closes in and pinches the saw chain in the cut.

Tip contact in some cases may cause a sudden reverse reaction, kicking the guide bar up and back towards the operator. Pinching the saw chain along the top of the guide bar may push the guide bar rapidly back towards the operator. Either of these reactions may cause you to lose control of the chainsaw which could result in serious personal injury. Do not rely exclusively upon the safety devices built into your chainsaw. As a chainsaw user, you should take several steps to keep your cutting jobs free from accident or injury.

Kickback is the result of tool misuse and / or incorrect operating procedures or conditions and can be avoided by taking proper precautions as given below:

- ◆ **Maintain a firm grip, with thumbs and fingers encircling the chainsaw handles. With both hands on the chainsaw, position your body and arm to allow you to resist kickback forces.** Kickback forces can be controlled by the operator, if proper precautions are taken. Do not let go of the chainsaw.
- ◆ **Do not overreach and do not cut above shoulder height.** This helps prevent unintended tip contact and enables better control of the chainsaw in unexpected situations.
- ◆ **Only use replacement guide bars and chains specified by the manufacturer.** Incorrect replacement guide bars and chains may cause chain breakage and/ or kickback.
- ◆ **Follow the manufacturer's sharpening and maintenance instructions for the saw chain.** Decreasing the depth gauge height can lead to increased kickback.
- ◆ **Striking metal, cement or any other hard material near the wood, or buried in the wood can cause kickback.**
- ◆ **A dull or loose chain can cause kickback.**
- ◆ **Do not try to insert into a previous cut, as this could cause kickback.** Make a fresh cut every time.

- ◆ **We strongly recommend that first time users obtain practical instruction in the use of the chainsaw and protective equipment from an experienced user.** Initial practice should be completed sawing logs on a saw horse or cradle.
- ◆ **We recommend that when carrying the chainsaw that you remove the battery and make sure that the saw chain is facing backwards.**
- ◆ **Maintain your chainsaw when not in use. Do not store your chainsaw for any length of time without first removing the saw chain and guide bar which should be kept immersed in oil.** Store all parts of your chainsaw in a dry, secure place out of reach of children.
- ◆ **We recommend you drain the oil reservoir prior to storage.**
- ◆ **Be sure of your footing and pre-plan a safe exit from a falling tree or branches.**
- ◆ **Use wedges to help control felling and prevent binding the guide bar and saw chain in the cut.**
- ◆ **Saw chain care. Keep the saw chain sharp and snug on the guide bar. Ensure the saw chain and guide bar are clean and well oiled.** Keep handles dry, clean and free from oil and grease.
- ◆ **Ensure someone is nearby (but at a safe distance) in case of an accident.**
- ◆ **If for any reason you have to touch the saw chain, make sure your chainsaw is disconnected from the battery.**
- ◆ **The noise from this product can exceed 85 dB(A).** We therefore recommend you take appropriate measures for the protection of hearing.
- ◆ **When handling the product the chain bar may become hot.** Handle with care.
- ◆ **Keep extension cords away from cutting elements.**

Safety of others

- ◆ This appliance can be used by children aged from 8 years and above and persons with reduced physical, sensory or mental capabilities or lack of experience and knowledge if they have been given supervision or instruction concerning use of the appliance in a safe way and understand the hazards involved.
- ◆ Children shall not play with the appliance. Cleaning and user maintenance shall not be made by children without supervision.

Residual risks

Additional residual risks may arise when using the tool which may not be included in the enclosed safety warnings. These risks can arise from misuse, prolonged use etc.

Even with the application of the relevant safety regulations and the implementation of safety devices, certain residual risks can not be avoided. These include:

- ◆ Injuries caused by touching any rotating/moving parts.
- ◆ Injuries caused when changing any parts, blades or accessories.
- ◆ Injuries caused by prolonged use of a tool. When using any tool for prolonged periods ensure you take regular breaks.
- ◆ Impairment of hearing.
- ◆ Health hazards caused by breathing dust developed when using your tool (example:- working with wood, especially oak, beech and MDF.)



Do not use your saw in wet conditions or expose it to rain.



Beware of flying objects. Keep bystanders away.



Electrocution hazard. Keep at least 10m away from overhead lines.



Always wear head and eye protection.



Always wear non-slip safety footwear.



To ensure continued safe operation, check the chain tension as described in this manual after every 10 minutes of use, and adjust back to a clearance of 3 mm as required. Oil the chain after every 10 minutes of use.



Direction of rotation of chain.



Warning! Do not touch chain at the chip ejection point.

Additional safety instructions for batteries and chargers

Batteries

- ◆ Never attempt to open for any reason.
- ◆ Do not expose the battery to water.
- ◆ Do not store in locations where the temperature may exceed 40 °C.
- ◆ Charge only at ambient temperatures between 10 °C and 40 °C.
- ◆ Charge only using the charger provided with the tool.
- ◆ When disposing of batteries, follow the instructions given in the section "Protecting the environment".
- ◆ Do not damage/deform the battery pack either by puncture or impact, as this may create a risk of injury and fire.
- ◆ Do not charge damaged batteries.
- ◆ Under extreme conditions, battery leakage may occur. When you notice liquid on the batteries, carefully wipe the liquid off using a cloth. Avoid skin contact.
- ◆ In case of skin or eye contact, follow the instructions below.

Warning! The battery fluid may cause personal injury or damage to property. In case of skin contact, immediately rinse with water. If redness, pain or irritation occurs seek medical attention. In case of eye contact, rinse immediately with clean water and seek medical attention.

Vibration

The declared vibration emission values stated in the technical data and the declaration of conformity have been measured in accordance with a standard test method provided by EN 60745 and may be used for comparing one tool with another. The declared vibration emission value may also be used in a preliminary assessment of exposure.

Warning! The vibration emission value during actual use of the power tool can differ from the declared value depending on the ways in which the tool is used. The vibration level may increase above the level stated.

When assessing vibration exposure to determine safety measures required by 2002/44/EC to protect persons regularly using power tools in employment, an estimation of vibration exposure should consider, the actual conditions of use and the way the tool is used, including taking account of all parts of the operating cycle such as the times when the tool is switched off and when it is running idle in addition to the trigger time.

Pruning

Before attempting to prune a tree, ensure there are not bylaws or regulations that would prohibit or control the felling of the tree.

- ◆ Be aware of the direction a branch may fall. Consider all conditions that may affect the direction of fall, including:
 - ◆ the length and weight of the branch to be cut
 - ◆ the intended direction of fall
 - ◆ any unusual heavy limb structure or decay
 - ◆ the presence of surrounding trees and obstacles, including overhead lines
 - ◆ the intertwinement with other branches
 - ◆ the speed and direction of the wind.
- ◆ Consider access to the tree limb.

Tree branches are liable to swing towards the tree trunk. In addition to the user, any bystander, building or object below the branch is at risk of being struck by the branch.

Labels on tool

The following pictograms are shown on the tool along with the date code:



Warning! To reduce the risk of injury, the user must read the instruction manual.

Chargers

Your charger has been designed for a specific voltage. Always check that the mains voltage corresponds to the voltage on the rating plate.

- ◆ Use your BLACK+DECKER charger only to charge the battery in the tool with which it was supplied. Other batteries could burst, causing personal injury and damage.
- ◆ Never attempt to charge non-rechargeable batteries.
- ◆ Have defective cords replaced immediately.
- ◆ Do not expose the charger to water.
- ◆ Do not open the charger.
- ◆ Do not probe the charger.
- ◆ The charger must be placed in a well ventilated area when charging.

Symbols on the charger

The following symbols are found on your charger:



The charger is intended for indoor use only.



Read the instruction manual before use.

Electrical safety



Your charger is double insulated; therefore no earth wire is required. Always check that the mains voltage corresponds to the voltage on the rating plate. Never attempt to replace the charger unit with a regular mains plug.

- ◆ If the supply cord is damaged, it must be replaced by the manufacturer or an authorised BLACK+DECKER Service Centre in order to avoid a hazard.

Features

This appliance includes some or all of the following features.

1. On/off switch
2. Lock-off button
3. Main handle
4. Saw head
5. Sprocket cover
6. Guide bar
7. Chain
8. Chain sheath
9. Lubrication bottle
10. Extension tube
11. Battery

Fig. A

12. Charger

Assembly

Warning! Before assembly, remove the battery from the tool.

Fitting and removing the battery (fig. B)

- ◆ To fit the battery (11), line it up with the receptacle on the tool. Slide the battery into the receptacle and push until the battery snaps into place.
- ◆ To remove the battery, push the release button (13) while at the same time pulling the battery out of the receptacle.

Warning! To prevent accidental operation, ensure that the battery is removed and that the chain sheath is in place on the saw chain before performing the following operations. Failure to do this could result in serious personal injury.

Fitting the saw head (fig. C)

The saw head can be fitted directly to the handle in order to achieve standard reach.

- ◆ Align the groove on the outside of the coupling end of the handle (3) with the tongue on the inside of the coupling end of the saw head (4). Push the saw head (4) onto the handle (3).
- ◆ Slide the collar (14) down and rotate it clockwise until it is fully tightened.

Warning! Periodically check the connections to ensure that they are tightened securely.

Extending the saw head (fig. D)

The maximum reach can be achieved by fitting the extension tube (10) between the saw head (4) and the handle (3).

- ◆ Align the groove on the outside of the coupling end of the handle (3) with the tongue on the inside of the coupling end of the extension tube (10).
- ◆ Push the extension tube (10) onto the handle (3).
- ◆ Slide the collar (15) down and rotate it clockwise until it is fully tightened.
- ◆ Align the groove on the outside of the coupling end of the extension tube (10) with the tongue on the inside of the coupling end of the saw head (4).
- ◆ Push the saw head (4) onto the extension tube (10).
- ◆ Slide the collar (14) down and rotate it clockwise until it is fully tightened.

Warning! Periodically check the connections to ensure that they are tightened securely.

Removing the saw head (fig. C & D)

If the extension tube (10) is fitted, the saw head must be removed first.

- ◆ To remove the saw head (4), rest the handle (3) on the ground, loosen the collar (14) and take off the saw head.

Use

Warning! Let the tool work at its own pace.

Do not overload.

Charging the battery - Figure A

The battery needs to be charged before first use and whenever it fails to produce sufficient power on jobs that were easily done before. The battery may become warm while charging; this is normal and does not indicate a problem.

Warning! Do not charge the battery at ambient temperatures below 10 °C or above 40 °C. Recommended charging temperature: approx. 24 °C.

Note: The charger will not charge a battery if the cell temperature is below approximately 10 °C or above 40 °C. The battery should be left in the charger and the charger will begin to charge automatically when the cell temperature warms up or cools down.

- ◆ To charge the battery (11), remove it from the tool and insert it into the charger (12). The battery will only fit into the charger in one way. Do not force. Be sure that the battery is fully seated in the charger.
- ◆ Plug in the charger and switch on at the mains.
- ◆ The charging indicator (24) will flash green continuously (slowly).

The charge is complete when the charging indicator (24) lights green continuously. The charger and the battery can be left connected indefinitely with the LED illuminated. The LED will change to flashing green (charging) state as the charger occasionally tops off the battery charge. The charging indicator (24) will be lit as long as the battery is connected to the plugged-in charger.

- ◆ Charge discharged batteries within 1 week. Battery life will be greatly diminished if stored in a discharged state.

Leaving the battery in the charger

The charger and battery pack can be left connected indefinitely with the LED lit. The charger will keep the battery pack fresh and fully charged.

Charger diagnostics

If the charger detects a weak or damaged battery, the charging indicator (24) will flash red at a fast rate. Proceed as follows:

- ◆ Re-insert the battery (11).
- ◆ If the charging indicator continues flashing red at a fast rate, use a different battery to determine if the charging process works properly.
- ◆ If the replaced battery charges correctly, the original battery is defective and should be returned to a service centre for recycling.
- ◆ If the new battery gives the same indication as the original battery, take the charger to be tested at an authorised service centre.

Note: It may take as long as 60 minutes to determine that the battery is defective. If the battery is too hot or too

cold, the LED will alternately blink red, fast and slow, one flash at each speed and repeat.

Switching on and off (fig. E)

For your safety, this tool is equipped with a double switching system. This system prevents starting the tool inadvertently.

Switching on

- ◆ Push the lock-off button (2) backward using your thumb and at the same time squeeze the on/off switch (1).
- ◆ Release the lock-off button (2).

Switching off

- ◆ Release the on/off switch (1).

Warning! Never attempt to lock a switch in the on position.

Pruning (fig. F)

- ◆ Make sure the tool is running at full speed before making a cut.
- ◆ Hold the tool firmly in place to avoid possible bouncing or sideways movement of the tool.

Guide the tool through the branch using light pressure.

When cutting heavy branches, where a partial cut may splinter and damage the tree, proceed as follows:

- ◆ Make the first cut 15 cm from the tree trunk on the underside of the limb. Use the top of the guide bar (6) to make this cut.
- ◆ Cut one third through the diameter of the limb. Then cut down from the top.

Cleaning, maintenance and storage

Your BLACK+DECKER corded/cordless appliance/tool has been designed to operate over a long period of time with a minimum of maintenance.

Continuous satisfactory operation depends upon proper tool care and regular cleaning.

Warning! Before performing any maintenance on corded/cordless power tools:

- ◆ Switch off and unplug the appliance/tool
- ◆ Or switch off and remove the battery from the appliance/tool if the appliance/tool has a separate battery pack
- ◆ Or run the battery down completely if it is integral and then switch off
- ◆ Unplug the charger before cleaning it. Your charger does not require any maintenance apart from regular cleaning.

Regularly clean the ventilation slots in your appliance/tool/charger using a soft brush or dry cloth.

Regularly clean the motor housing using a damp cloth. Do not use any abrasive or solvent-based cleaner.

Regularly open the chuck and tap it to remove any dust from the interior (when fitted).

After use and before storage

- ◆ Regularly clean the ventilation slots with a clean, dry paint brush.
- ◆ To clean the tool, use only mild soap and a damp cloth. Never let any liquid get inside the tool and never immerse any part of the tool into liquid.
- ◆ Remove debris using a hard brush.
- ◆ Lubricate the chain with oil.

Installing and removing the saw chain (fig. G & H)

Warning! Always wear protective gloves when installing or removing the saw chain. The saw chain is sharp and can cut you when it is not running.

- ◆ Place the tool on a firm and stable surface.
- ◆ Loosen the screws (16) using the Allen key provided. Remove the screws.
- ◆ Remove the sprocket cover (5) and the bar clamp (17).
- ◆ Turn the screw (18) counterclockwise to allow the guide bar (6) to recede and to reduce the tension on the saw chain (7).
- ◆ Remove the old saw chain from the sprocket (19) and the guide bar (6).
- ◆ Place the new saw chain in the groove of the guide bar and around the sprocket. Make sure that the teeth are facing the correct direction by matching the arrow on the saw chain with the arrow on the housing.
- ◆ Make sure that the slot (20) in the guide bar is over the location pins (21) and that the hole (22) below the slot is located over the adjustment pin (23).
- ◆ Re-fit the sprocket cover (5) and the bar clamp (17) and the screws (16).
- ◆ Tighten the screws (16) using the Allen key provided.
- ◆ Adjust the chain tension as described below.

To ensure continued safe operation, the chain and guide bar must only be replaced with original BLACK+DECKER parts. Replacement chain part number A6158 replacement guide bar part number 623381-00.

Checking and adjusting the chain tension (fig. G)

- ◆ Check the saw chain tension. The tension is correct when the saw chain (7) snaps back after being pulled away 3 mm from the saw chain bar with light force from the middle finger and thumb. There should be no 'sag' between the guide bar (6) and the saw chain (7) on the underside.

To adjust the tension:

- ◆ Loosen the screws (16).
- ◆ Turn the screw (18) clockwise.

Warning! Do not over-tension the chain as this will lead to excessive wear and will reduce the life of the bar and chain.

- ◆ Once the chain tension is correct, tighten the screws (18).

Warning! When the saw chain is new, check the tension

frequently during the first two hours of use as a new saw chain stretches slightly.

Oiling the chain

The saw chain must be oiled before each use and after cleaning using only the correct grade of oil (cat. no. A6027).

- ◆ Oil the whole saw chain (7) evenly using the applicator (9).

Storage

When the tool will not be used for several months, ideally leave the battery connected to the charger.

Otherwise proceed as follows:

- ◆ Fully charge the battery.
- ◆ Remove the battery from the tool.
- ◆ Store the tool and battery in a secure and dry location.
- ◆ The storage temperature must always remain in the range of +10 °C to +40 °C. Place the battery on a level surface.
- ◆ Before using the tool after prolonged storage, fully charge the battery again.

Protecting the environment



Separate collection. Products and batteries marked with this symbol must not be disposed of with normal household waste.

Products and batteries contain materials that can be recovered or recycled reducing the demand for raw materials. Please recycle electrical products and batteries according to local provisions.

Further information is available at www.2helpU.com

Technical data

PS1820ST1, PS1820L1 H2		
Voltage	V _{DC}	18
Chain speed (No-load)	min-1	190
Max. cutting length	cm	17
Weight	kg	3.5
Battery		
BL2518		
Voltage	V _{DC}	18
Capacity	Ah	2.5
Type		Li-Ion
Charger		906068**
Input voltage	V _{DC}	230
Output voltage	Ah	18
Output current	mA	2000

Sound pressure level measured according to EN 60745:

LpA (sound pressure) 78 dB(A), uncertainty (K) 3 dB(A)
LwA (sound power) 98 dB(A), uncertainty (K) 3 dB(A)

Vibration total values (triax vector sum) according to EN 60745:

Cutting freshly felled softwood ($a_{h,w}$) <2.5 m/s², uncertainty (K) = 1.5 m/s²

EC declaration of conformity MACHINERY DIRECTIVE



PS1820ST1, PS1820L1 – pole pruner

Black & Decker declares that these products described under "technical data" are in compliance with:

EN 60745-1:2009 +A11:2010, EN ISO 11680-1:2011

These products also comply with Directive
2006/42/EC, 2014/30/EU and 2011/65/EU

For more information, please contact Black & Decker at the following address or refer to the back of the manual.

The undersigned is responsible for compilation of the technical file and makes this declaration on behalf of Black & Decker..

A. Smith
Technical Director
Black & Decker Europe, 210 Bath Road, Slough,
Berkshire, SL1 3YD
United Kingdom
15/01/2019

Garantie

Black & Decker is confident of the quality of its products and offers consumers a 24 month guarantee from the date of purchase. This guarantee is in addition to and in no way prejudices your statutory rights. The guarantee is valid within the territories of the Member States of the European Union and the European Free Trade Area.

To claim on the guarantee, the claim must be in accordance with Black & Decker Terms and Conditions and you will need to submit proof of purchase to the seller or an authorised repair agent. Terms and conditions of the Black & Decker 2 year guarantee and the location of your nearest authorised repair agent can be obtained on the Internet at www.2helpU.com, or by contacting your local Black & Decker office at the address indicated in this manual.

Please visit our website www.blackanddecker.co.uk to register your new Black & Decker product and receive updates on new products and special offers.

Verwendungszweck

Ihr BLACK+DECKER™ PS1820ST1, PS1820L1 Akku-Hochtaster ist zum Entasten von Bäumen vorgesehen. Dieses Gerät ist nicht für den gewerblichen Einsatz vorgesehen.

Ihr BLACK+DECKER Ladegerät dient zum Laden von BLACK+DECKER Akkus des Typs, der im Lieferumfang dieses Geräts enthalten ist.

Sicherheitshinweise

Allgemeine Sicherheitswarnungen für das Gerät



Warnung! Lesen Sie alle Sicherheitswarnhinweise und alle Anweisungen. Die Nichteinhaltung der folgenden Warnungen und Anweisungen kann einen elektrischen Schlag, Brand und/oder schwere Verletzungen verursachen.

Bewahren Sie alle Sicherheitswarnungen und Anweisungen gut auf.

Der nachfolgend verwendete Begriff "Gerät" bezieht sich auf netzbetriebene Geräte (mit Netzkabel) und auf akkubetriebene Geräte (ohne Netzkabel).

1. Sicherheit im Arbeitsbereich

- a. **Halten Sie Ihren Arbeitsbereich sauber und gut ausgeleuchtet.** Unaufgeräumte oder dunkle Bereiche begünstigen Unfälle.
- b. **Betreiben Sie das Gerät nicht in Umgebungen, in denen Explosionsgefahr z. B. aufgrund von brennbaren Flüssigkeiten, Gasen oder Staub besteht.** Geräte erzeugen Funken, die den Staub oder die Dämpfe entzünden können.
- c. **Halten Sie Kinder und andere Personen während der Benutzung eines Geräts fern.** Bei Ablenkung können Sie die Kontrolle verlieren.

2. Elektrische Sicherheit

- a. **Der Netzstecker des Geräts muss in die Steckdose passen. Ändern Sie niemals den Stecker in irgendeiner Form. Verwenden Sie keinerlei Adapterstecker an geerdeten Elektrogeräten.** Unveränderte Stecker und passende Steckdosen mindern die Gefahr eines elektrischen Schlages.
- b. **Vermeiden Sie Körperkontakt mit geerdeten Oberflächen von Rohren, Heizungen, Herden und Kühlschränken.** Es besteht eine erhöhte Gefahr für einen elektrischen Schlag, wenn Ihr Körper geerdet ist.
- c. **Halten Sie Geräte von Regen und Nässe fern.** Das Eindringen von Wasser in ein Gerät erhöht das Risiko eines elektrischen Schlages.

- d. **Verwenden Sie das Kabel ordnungsgemäß. Verwenden Sie es niemals zum Tragen. Trennen Sie das Gerät nicht durch Ziehen am Kabel vom Netz. Halten Sie das Kabel fern von Hitze, Öl, scharfen Kanten oder beweglichen Teilen.** Beschädigte oder verhedderte Kabel erhöhen die Gefahr eines elektrischen Schlages.
- e. **Verwenden Sie nur für den Außenbereich zugelassene Verlängerungskabel, wenn Sie mit dem Gerät im Freien arbeiten.** Die Verwendung eines für den Außenbereich geeigneten Verlängerungskabels verringert das Risiko eines elektrischen Schlages.
- f. **Wenn das Gerät in einer feuchten Umgebung verwendet werden muss, schließen Sie es unbedingt an eine Steckdose mit Fehlerstromschutzschalter (FI-Schalter) an.** Ein Fehlerstromschutzschalter verringert das Risiko eines elektrischen Schlages.
3. **Sicherheit von Personen**
- a. **Seien Sie aufmerksam, achten Sie darauf, was Sie tun, und gehen Sie sachgerecht mit einem Gerät um. Benutzen Sie kein Gerät, wenn Sie müde sind oder unter dem Einfluss von Drogen, Alkohol oder Medikamenten stehen.** Ein Moment der Unachtsamkeit beim Betrieb eines Geräts kann zu schweren Verletzungen führen.
- b. **Verwenden Sie eine geeignete Schutzausrüstung. Tragen Sie immer einen Augenschutz.** Das Tragen persönlicher Schutzausrüstung, wie Staubmaske, rutschfeste Sicherheitsschuhe, Schutzhelm oder Gehörschutz, je nach Art und Einsatz des Geräts, verringert das Risiko von Verletzungen.
- c. **Vermeiden Sie eine unbeabsichtigte Inbetriebnahme. Vergewissern Sie sich, dass das Gerät ausgeschaltet ist, bevor Sie es an eine Steckdose oder einen Akku anschließen, es hochheben oder tragen.** Wenn Sie beim Tragen des Geräts den Finger am Schalter haben oder das Gerät eingeschaltet an die Stromversorgung anschließen, kann dies zu Unfällen führen.
- d. **Entfernen Sie Einstell- oder Schraubenschlüssel, bevor Sie das Gerät einschalten.** Werkzeuge oder Schlüssel, die an rotierenden Teilen des Geräts angebracht sind, können zu Verletzungen führen.
- e. **Beugen Sie sich nicht zu weit nach vorne. Sorgen Sie für einen sicheren Stand und halten Sie jederzeit das Gleichgewicht.** Dadurch können Sie das Gerät in unerwarteten Situationen besser kontrollieren.
- f. **Tragen Sie geeignete Kleidung. Tragen Sie keine weite Kleidung und keinen Schmuck. Halten Sie Ihre Haare, Kleidung und Handschuhe von beweglichen Teilen fern.** Lose sitzende Kleidung, Schmuck oder lange Haare können sich in den beweglichen Teilen verfangen.
- g. **Falls Vorrichtungen zum Absaugen oder Auffangen von Staub vorhanden sind, vergewissern Sie sich, dass diese angeschlossen sind und richtig verwendet werden.** Das Verwenden einer Staubauffangvorrichtung verringert Gefährdungen durch Staub.
- h. **Vermeiden Sie, durch die häufige Nutzung des Werkzeugs in einen Trott zu verfallen und Prinzipien für die Werkzeugsicherheit zu ignorieren.** Eine unachtsame Aktion kann im Bruchteil einer Sekunde zu schweren Verletzungen führen.
4. **Gebrauch und Pflege von Geräten**
- a. **Überlasten Sie das Gerät nicht. Verwenden Sie das für Ihre Arbeit passende Gerät.** Das richtige Gerät wird die Aufgabe besser und sicherer erledigen, wenn es bestimmungsgemäß verwendet wird.
- b. **Verwenden Sie das Gerät nicht, wenn der Ein-/Ausschalter nicht funktioniert.** Ein Gerät, das sich nicht mehr ein- oder ausschalten lässt, ist gefährlich und muss repariert werden.
- c. **Ziehen Sie den Stecker aus der Steckdose, oder trennen Sie das Gerät vom Akku, bevor Sie Einstellungen vornehmen, Zubehörteile wechseln oder das Gerät lagern.** Diese Vorbeugemaßnahmen mindern die Gefahr, dass das Elektrogerät unbeabsichtigt startet.
- d. **Bewahren Sie unbenutzte Geräte außerhalb der Reichweite von Kindern auf. Lassen Sie Geräte nicht von Personen benutzen, die damit nicht vertraut sind oder diese Anweisungen nicht gelesen haben.** Geräte sind in den Händen nicht geschulter Personen gefährlich.
- e. **Halten Sie das Gerät in einem einwandfreien Zustand. Kontrollieren Sie, ob bewegliche Teile falsch ausgerichtet sind oder klemmen und ob Teile gebrochen oder so beschädigt sind, dass die Funktion des Geräts beeinträchtigt ist. Bei Beschädigungen lassen Sie das Gerät reparieren, bevor Sie es verwenden.** Viele Unfälle entstehen wegen mangelnder Wartung der Geräte.
- f. **Halten Sie Schneidgeräte scharf und sauber.** Richtig gewartete Schneidwerkzeuge mit scharfen Klingen blockieren seltener und sind leichter unter Kontrolle zu halten.
- g. **Verwenden Sie Gerät, Zubehör, Einsatz-Bits usw. entsprechend diesen Anweisungen und berücksichtigen Sie dabei die Arbeitsbedingungen und die auszuführende Arbeit.** Der Gebrauch von Geräten für andere als die vorgesehenen Zwecke kann zu gefährlichen Situationen führen.
- h. **Halten Sie die Griffe trocken, sauber und frei von Öl und Fett.** Rutschige Griffe und Oberflächen unterbinden die sichere Bedienbarkeit und Kontrolle über das Werkzeug in unerwarteten Situationen.

5. **Gebrauch und Pflege von Akkuwerkzeugen**
- Laden Sie den Akku nur mit dem vom Hersteller vorgesehenen Ladegerät auf.** Für ein Ladegerät, das nur für eine bestimmte Akkuart geeignet ist, besteht Brandgefahr, wenn es mit anderen Akkus verwendet wird.
 - Verwenden Sie nur die für das jeweilige Gerät vorgesehenen Akkus.** Die Verwendung anderer Akkus kann zu Verletzungen oder Bränden führen.
 - Bewahren Sie den Akku bei Nichtbenutzung nicht in der Nähe metallischer Objekte wie Büroklammern, Münzen, Schlüsseln, Nägeln oder Schrauben auf, da diese eine Verbindung zwischen beiden Polen des Akkus herstellen können.** Durch den dadurch entstehenden Kurzschluss kann der Akku in Brand geraten.
 - Bei falscher Anwendung kann Flüssigkeit aus dem Akku austreten. Vermeiden Sie den Kontakt damit. Bei unbeabsichtigtem Kontakt mit Wasser abspülen. Gelangt die Flüssigkeit in die Augen, ziehen Sie außerdem ärztliche Hilfe hinzu.** Austretende Akkuflüssigkeit kann zu Hautreizungen oder Verbrennungen führen.
 - Verwenden Sie keine Akkus oder Werkzeuge, die beschädigt sind oder modifiziert wurden.** Beschädigte oder modifizierte Akkus können sich unvorhersehbar verhalten und stellen ein Risiko von Feuer, Explosionen oder Verletzungen dar.
 - Setzen Sie Akkus und Werkzeuge keinem Feuer oder extremen Temperaturen aus.** Die Einwirkung von Feuer oder Temperaturen über 130°C kann zu Explosionen führen.
 - Befolgen Sie alle Anweisungen zum Aufladen und laden Sie den Akku oder das Werkzeug nicht jenseits des in der Anleitung angegebenen Temperaturbereichs auf.** Das falsche Aufladen oder das Aufladen bei Temperaturen jenseits des angegebenen Bereichs kann den Akku beschädigen und das Brandrisiko erhöhen.
6. **Service**
- Lassen Sie das Gerät nur von qualifiziertem Fachpersonal und nur mit Originalersatzteilen reparieren.** Damit wird sichergestellt, dass die Sicherheit des Geräts erhalten bleibt.
 - Führen Sie an beschädigten Akkus niemals Wartungsarbeiten durch.** Die Wartung von Akkus darf nur vom Hersteller oder von autorisierten Dienstleistern durchgeführt werden.
- ◆ **Halten Sie alle Körperteile von der Kette fern, wenn das Gerät in Betrieb ist. Vergewissern Sie sich vor dem Starten der Kettensäge, dass die Kette keine Gegenstände berührt.** Ein Moment der Unachtsamkeit während des Betriebs kann dazu führen, dass die Kette Körper- oder Kleidungsstücke berührt.
 - ◆ **Halten Sie die Kettensäge immer mit der rechten Hand am hinteren und mit der linken Hand am vorderen Griff.** Wenn Sie das Gerät anders halten, besteht erhöhte Verletzungsgefahr.
 - ◆ **Halten Sie das Gerät ausschließlich an den isolierten Griffflächen, da die Kette mit verdeckten Kabeln in Berührung kommen könnte.** Der Kontakt der Sägekette mit stromführenden Leitungen kann auch offenliegende Metallteile am Gerät unter Strom setzen und zu einem Stromschlag führen.
 - ◆ **Tragen Sie eine Schutzbrille und einen Gehörschutz. Außerdem empfiehlt sich das Tragen zusätzlicher Schutzausrüstung für Kopf, Hände, Beine und Füße.** Geeignete Schutzausrüstung verringert das Risiko von Verletzungen durch weggeschleuderte Schnittabfälle oder durch unabsichtlichen Kontakt mit der Kette.
 - ◆ **Arbeiten Sie mit der Kettensäge nicht auf Bäumen.** Dies kann zu schweren Verletzungen führen.
 - ◆ **Achten Sie jederzeit auf einen sicheren Stand, und benutzen Sie die Kettensäge nur auf festem, ebenen Boden.** Auf rutschigen und instabilen Oberflächen oder auf Leitern ist kein sicherer Stand gewährleistet. Es besteht die Gefahr, dass Sie das Gleichgewicht und die Kontrolle über die Kettensäge verlieren.
 - ◆ **Beim Durchschneiden eines Astes, der unter Spannung steht, kann dieser zurückschnellen.** Wenn die Spannung in den Holzfasern freigesetzt wird, kann der Ast den Bediener treffen und/oder gegen die Kettensäge schlagen und diese außer Kontrolle bringen.
 - ◆ **Arbeiten Sie beim Sägen von Büschen und Jungbäumen mit größter Vorsicht.** Es besteht die Gefahr, dass sich das nachgiebige Material in der Kette verfängt, in Ihre Richtung gedrückt wird und Sie aus dem Gleichgewicht bringt.
 - ◆ **Tragen Sie die Kettensäge am vorderen Handgriff. Das Gerät muss ausgeschaltet sein und sollte den Körper nicht berühren. Bringen Sie den Kettenschutz an, bevor Sie das Gerät transportieren oder lagern.** Durch einen sachgemäßen Umgang mit der Kettensäge verhindern Sie einen unabsichtlichen Kontakt mit der sich bewegenden Kette.
 - ◆ **Befolgen Sie die Anweisungen zum Ölen und Spannen der Kette und zum Wechseln von Zubehörteilen.** Bei einer unzureichend gespannten oder geölte Kette besteht Riss- und erhöhte Rückschlaggefahr.

Zusätzliche Sicherheitswarnungen für das Gerät



Warnung! Zusätzliche Sicherheitshinweise für Astsägen.

- ◆ **Halten Sie die Griffe trocken, sauber und öl- und fettfrei.** Schmierige, ölige Griffe sind rutschig. Dadurch ist die Kontrolle über das Gerät nicht mehr gewährleistet.
- ◆ **Schneiden Sie nur in Holz. Verwenden Sie die Kettensäge nicht zweckentfremdet.** Zum Beispiel: keinen Kunststoff, kein Mauerwerk und keine Baumaterialien, die nicht aus Holz sind. Der Gebrauch der Kettensäge für andere als die vorgesehenen Zwecke kann zu gefährlichen Situationen führen.

Ursachen und Verhinderung von Rückschlag

Rückschlag kann auftreten, wenn die Spitze des Führungsschwerts einen Gegenstand berührt, oder wenn Holz einknickt und die Kette im Schneidspalt einklemmt.

Kontakt an der Spitze kann in einigen Fällen eine blitzschnelle Rückschlagwirkung erzeugen, die die Führungsschiene nach oben und zurück in Richtung Bediener schnellen lässt. Wenn die Kette an der Oberseite des Führungsschwerts eingeklemmt wird, kann dies das Schwert schnell nach hinten in Richtung Bediener drücken. Diese Reaktionen können zum Verlust der Kontrolle über die Kettensäge und damit zu schweren Verletzungen führen. Verlassen Sie sich nicht nur auf die Sicherheitsvorrichtungen der Kettensäge. Als Bediener einer Kettensäge müssen Sie verschiedene Vorkehrungen treffen, um Sägearbeiten ohne Unfälle und Verletzungen durchführen zu können.

Ein Rückschlag ist das Resultat eines Missbrauchs und/oder einer falschen Bedienung der Kettensäge oder falscher Arbeitsbedingungen. Er kann durch die entsprechenden unten angegebenen Vorsichtsmaßnahmen vermieden werden.

- ◆ **Halten Sie die Säge mit den Daumen auf einer Seite und den Fingern auf der anderen Seite an den Griffen fest. Durch einen festen Griff mit beiden Händen, einen ausgestreckten linken Arm und einen stabilen Stand lässt sich das Zurückschlagen vermeiden.** Die Rückschlagkräfte können vom Bediener mittels entsprechender Vorsichtsmaßnahmen unter Kontrolle gehalten werden. Lassen Sie die Kettensäge nicht los.
- ◆ **Strecken Sie sich nicht zu weit nach vorne, und schneiden Sie nicht oberhalb der Schulterhöhe.** Dadurch vermeiden Sie einen versehentlichen Kontakt der Spitze, und die Kettensäge lässt sich in unerwarteten Situationen besser unter Kontrolle halten.
- ◆ **Als Ersatzteile dürfen nur die vom Hersteller bezeichneten Führungsschwerte und Ketten verwendet werden.** Bei Verwendung falscher Ersatzteile besteht die Gefahr eines Kettenrisses und/oder erhöhte Rückschlaggefahr.
- ◆ **Das Schärfen der Sägekette und sämtliche Wartungsarbeiten müssen gemäß den Anweisungen des Herstellers erfolgen.** Das Kürzen der Tiefenbegrenzer an der Kette kann zu einer erhöhten Rückschlaggefahr führen.
- ◆ **Das Berühren von Metall, Mauerwerk oder anderen harten Gegenständen in der Nähe oder innerhalb des Holzes kann einen Rückschlag verursachen.**
- ◆ **Stumpfe oder lose Ketten können einen Rückschlag verursachen.**
- ◆ **Versuchen Sie nicht, die Säge in einen vorherigen Schnitt einzusetzen, da dies zu einem Rückschlag führen kann.** Führen Sie stets einen neuen Schnitt durch.
- ◆ **Anfänger sollten sich unbedingt von einem erfahrenen Benutzer die sachgemäße Verwendung der Kettensäge und der Schutzausrüstung demonstrieren lassen.** Es empfiehlt sich, zunächst das Sägen von Stückholz auf einem Sägebock zu üben.
- ◆ **Beim Tragen der Kettensäge sollte der Akku entnommen worden sein und die Sägekette nach hinten weisen.**
- ◆ **Halten Sie die Kettensäge auch bei Nichtgebrauch in einem einwandfreien Betriebszustand. Nehmen Sie vor einer längeren Lagerung der Kettensäge die Kette und das Führungsschwert ab. Diese Teile sollten in Öl getaucht werden.** Bewahren Sie sämtliche Teile der Kettensäge an einem trockenen, sicheren Ort außerhalb der Reichweite von Kindern auf.
- ◆ **Der Ölbehälter sollte vor einer längeren Lagerung geleert werden.**
- ◆ **Achten Sie auf einen sicheren Stand, und planen Sie einen sicheren Fluchtweg vor dem fallenden Baum oder vor fallenden Ästen.**
- ◆ **Verwenden Sie beim Fällen eines Baums Keile, um die Fallrichtung zu beeinflussen und um zu verhindern, dass sich Kette und Führungsschwert im Schneidspalt verklemmen.**
- ◆ **Pflegen Sie die Sägekette. Halten Sie die Kette scharf und richtig gespannt. Stellen Sie sicher, dass Kette und Führungsschwert sauber und ausreichend geölt sind.** Achten Sie darauf, dass die Griffe trocken, sauber sowie frei von Öl und Fett sind.
- ◆ **Stellen Sie sicher, dass sich für den Fall eines Unfalls jemand in der Nähe befindet (jedoch in ausreichendem Sicherheitsabstand).**
- ◆ **Falls Sie die Kette aus irgendeinem Grund berühren müssen, vergewissern Sie sich, dass die Kettensäge vom Akku getrennt ist.**
- ◆ **Der Schallpegel dieses Gerätes kann 85 dB(A) überschreiten.** Das Tragen eines Gehörschutzes wird daher empfohlen.
- ◆ **Das Führungsschwert kann sich beim Betrieb erhitzen.** Mit Vorsicht behandeln.
- ◆ **Halten Sie Verlängerungskabel von der Schneidevorrichtung fern.**

Sicherheit anderer Personen

- ◆ Dieses Gerät kann von Kindern ab 8 Jahren und Personen mit körperlichen, sensorischen oder geistigen Einschränkungen bzw. ohne Erfahrung und Kenntnisse verwendet werden, wenn sie beaufsichtigt werden oder ihnen die sichere Verwendung des Geräts erklärt wurde und sie die vorhandenen Gefahren verstehen.
- ◆ Kinder dürfen nicht mit dem Gerät spielen. Reinigung und Wartungsarbeiten dürfen von Kindern nur unter Aufsicht durchgeführt werden.

Restrisiken

Beim Gebrauch dieses Geräts verbleiben zusätzliche Restrisiken, die möglicherweise nicht in den Sicherheitswarnungen genannt werden. Diese Risiken bestehen beispielsweise bei Missbrauch oder längerem Gebrauch.

Auch bei der Einhaltung der entsprechenden Sicherheitsvorschriften und der Verwendung aller Sicherheitsgeräte bestehen weiterhin bestimmte Restrisiken. Diese sind:

- ◆ Verletzungen, die durch das Berühren von sich drehenden/bewegenden Teilen verursacht werden.
- ◆ Verletzungen, die durch das Austauschen von Teilen, Messern oder Zubehör verursacht werden.
- ◆ Verletzungen, die durch längeren Gebrauch eines Geräts verursacht werden. Legen Sie bei längerem Gebrauch regelmäßige Pausen ein.
- ◆ Beeinträchtigung des Gehörs.
- ◆ Gesundheitsrisiken durch das Einatmen von Staub beim Verwenden des Geräts (beispielsweise bei Holzarbeiten, insbesondere Eiche, Buche und MDF.)

Vibration

Die in den Abschnitten "Technische Daten" und "EU-Konformitätserklärung" angegebenen Werte für die Vibrationsemission wurden mit einer Standard-Prüfmethode nach EN 60745 ermittelt und können zum Vergleich verschiedener Geräte herangezogen werden. Außerdem kann mit Hilfe dieses Werts die Belastung bei Verwendung des Geräts schon im Voraus eingeschätzt werden.

Warnung! Die bei Verwendung des Geräts auftretende Vibrationsemission hängt von der Art des Gerätegebrauchs ab und kann dementsprechend von dem angegebenen Wert abweichen. Gegebenenfalls kann die Vibration über dem angegebenen Wert liegen.

Für die Ermittlung der Vibrationsbelastung müssen die tatsächlichen Einsatzbedingungen und Verwendungen des Geräts während des gesamten Arbeitsgangs berücksichtigt werden, einschließlich der Zeiten, wenn das Gerät nicht verwendet oder im Leerlauf betrieben wird. Diese Werte werden benötigt, um die gemäß 2002/44/EG erforderlichen

Sicherheitsmaßnahmen zum Schutz von Personen festlegen zu können.

Äste schneiden

Vergewissern Sie sich vor dem Beschneiden eines Baumes, dass das Fällen des Baums nicht durch Verordnungen oder Gesetze eingeschränkt oder untersagt wird.

- ◆ Schätzen Sie die Richtung ab, in die ein Ast fallen kann. Berücksichtigen Sie dabei alle Faktoren, die die Fallrichtung beeinflussen können:
 - ◆ die Länge und das Gewicht des zu schneidenden Asts
 - ◆ die gewünschte Fallrichtung
 - ◆ Morschheit oder außergewöhnlich schwere Holzstruktur
 - ◆ Bäume und Hindernisse in der Umgebung,
 - ◆ z. B. frei verlegte Stromleitungen
 - ◆ die Verflechtung mit anderen Ästen
 - ◆ Windgeschwindigkeit und Windrichtung.
- ◆ Achten Sie auf einen guten Zugang zum Ast.

Äste haben die Tendenz, zum Baumstamm zu schwingen. Neben dem Bediener der Kettensäge besteht für alle Zuschauer, Gebäude und Gegenstände unterhalb des Astes die Gefahr, von dem herabfallenden Ast getroffen zu werden.

Etiketten am Werkzeug

Am Gerät sind die folgenden Piktogramme inkl. Datumscode angebracht:



Warnung! Lesen Sie vor Gebrauch die Anleitung. Andernfalls besteht Verletzungsgefahr.



Schützen Sie das Gerät vor Feuchtigkeit und Regen.



Achten Sie auf herabfallende Gegenstände. Halten Sie Zuschauer aus dem Gefahrenbereich fern.



Stromschlaggefahr. Halten Sie einen Abstand von mindestens 10 m zu frei verlegten Stromleitungen ein.



Tragen Sie stets einen Kopf- und Augenschutz.



Tragen Sie rutschfestes, sicheres Schuhwerk.

Um ein kontinuierlich sicheres Arbeiten zu gewährleisten, kontrollieren Sie die Kettenspannung wie in diesem Handbuch beschrieben nach jeweils 10 Minuten Betrieb der Kettensäge. Stellen Sie die Kettenspannschraube ggf. wieder auf die vorgeschriebenen 3 mm Spiel ein. Ölen Sie die Kette nach jeweils 10 Minuten Betrieb.





Drehrichtung der Kette.



Warnung! Greifen Sie nicht am Spanauswurf in die Kette.

Zusätzliche Sicherheitshinweise für Akkus und Ladegeräte

Akkus

- ◆ Keinesfalls versuchen, den Akku zu öffnen.
- ◆ Achten Sie darauf, dass der Akku nicht mit Wasser in Berührung kommt.
- ◆ Nicht bei Temperaturen über 40 °C lagern.
- ◆ Laden Sie den Akku nur bei Umgebungstemperaturen von 10 °C bis 40 °C auf.
- ◆ Verwenden Sie ausschließlich das mitgelieferte Ladegerät.
- ◆ Beachten Sie bei der Entsorgung von Batterien und Akkus die Hinweise im Abschnitt "Umweltschutz".
- ◆ Der Akku darf nicht durch mechanische Krafteinwirkung oder Belastungen beschädigt oder verformt werden. Andernfalls besteht Verletzungs- und Brandgefahr.
- ◆ Laden Sie beschädigte Akkus nicht auf.
- ◆ Unter extremen Bedingungen können Batterien undicht werden. Wenn Sie feststellen, dass aus der Batterie Flüssigkeit austritt, wischen Sie diese vorsichtig mit einem Tuch ab. Vermeiden Sie Hautkontakt.
- ◆ Beachten Sie nach Haut- oder Augenkontakt die folgenden Hinweise.

Warnung! Batteriesäure kann Sach- oder Personenschäden verursachen. Spülen Sie die Säure bei Hautkontakt sofort mit Wasser ab. Suchen Sie einen Arzt auf, wenn sich auf der Haut Rötungen, Reizungen oder andere Irritationen zeigen. Spülen Sie das Auge nach Augenkontakt sofort mit sauberem Wasser aus, und suchen Sie einen Arzt auf.

Ladegeräte

Das Ladegerät ist für eine bestimmte Spannung ausgelegt. Stellen Sie sicher, dass die Netzspannung der auf dem Typenschild des Geräts angegebenen Spannung entspricht.

- ◆ Verwenden Sie das BLACK+DECKER Ladegerät nur für den Akku des Werkzeugs, mit dem es geliefert wurde. Andere Akkus können platzen und Sachschäden oder Verletzungen verursachen.
- ◆ Versuchen Sie keinesfalls, nicht aufladbare Batterien zu laden.
- ◆ Lassen Sie beschädigte Kabel sofort austauschen.
- ◆ Achten Sie darauf, dass das Ladegerät nicht mit Wasser in Berührung kommt.
- ◆ Versuchen Sie nicht, das Ladegerät zu öffnen.
- ◆ Nehmen Sie am Ladegerät keine Veränderungen vor.
- ◆ Während der Akku geladen wird, muss auf ausreichende Belüftung geachtet werden.

Symbole auf dem Ladegerät

Am Ladegerät sind die folgenden Symbole angebracht:



Das Ladegerät darf nur im Innenbereich verwendet werden.



Vor Gebrauch die Anleitung lesen.

Elektrische Sicherheit



Das Ladegerät ist schutzisoliert, daher ist keine Erdleitung erforderlich. Stellen Sie sicher, dass die Netzspannung der auf dem Typenschild des Geräts angegebenen Spannung entspricht. Ersetzen Sie das Ladegerät keinesfalls durch ein normales Netzkabel.

- ◆ Bei einer Beschädigung des Netzkabels muss dieses durch den Hersteller oder eine BLACK+DECKER Vertragswerkstatt ausgetauscht werden, um mögliche Gefahren zu vermeiden.

Merkmale

Dieses Gerät verfügt über einige oder alle der folgenden Merkmale:

1. Ein-/Ausschalter
2. Einschaltsperr
3. Hauptgriff
4. Sägekopf
5. Kettenradabdeckung
6. Führungsschwert
7. Kette
8. Kettenschutz
9. Schmiermittelflasche
10. Verlängerungsrohr
11. Akku

Abb. A

12. Ladegerät

Montage

Warnung! Entfernen Sie vor der Montage den Akku aus dem Gerät.

Einsetzen und Entfernen des Akkus (Abb. B)

- ◆ Um den Akku (11) einzusetzen, richten Sie ihn an der Aufnahme am Gerät aus. Schieben Sie den Akku in die Aufnahme, bis er in der richtigen Position einrastet.
- ◆ Drücken Sie die Entriegelungstaste (13) und ziehen Sie gleichzeitig den Akku aus dem Akkufach, um diesen zu entfernen.

Warnung! Um unbeabsichtigten Betrieb zu vermeiden, stellen Sie vor Ausführung der folgenden Schritte sicher, dass der Akku entfernt wurde und der Kettenschutz korrekt

auf der Kette sitzt. Eine Nichtbeachtung kann zu ernsthaften Verletzungen führen.

Aufladens erwärmen. Das ist normal und deutet nicht auf ein Problem hin.

Anbringen des Sägekopfes (Abb. C)

Der Sägekopf kann direkt am Griff angebracht werden, um die Standardreichweite zu erhalten.

- ◆ Richten Sie die Nut in der Außenseite des Griff-Verbindungsstücks (3) an der Feder auf der Innenseite des Sägekopf-Verbindungsstücks (4) aus. Drücken Sie den Sägekopf (4) auf den Griff (3).
- ◆ Schieben Sie den Verschluss (14) nach unten, und drehen Sie ihn im Uhrzeigersinn, bis er ganz fest sitzt.

Warnung! Überprüfen Sie die Verbindungen in regelmäßigen Abständen, um sicherzustellen, dass sie sicher und fest sitzen.

Erweitern des Sägekopfes (Abb. D)

Die maximale Reichweite erhalten Sie, indem Sie das Verlängerungsrohr (10) zwischen dem Sägekopf (4) und dem Griff (3) anbringen.

- ◆ Richten Sie die Nut in der Außenseite des Griff-Verbindungsstücks (3) an der Feder auf der Innenseite des Verlängerungsrohrs (10) aus.
- ◆ Drücken Sie das Verlängerungsrohr (10) auf den Griff (3).
- ◆ Schieben Sie den Verschluss (15) nach unten, und drehen Sie ihn im Uhrzeigersinn, bis er ganz fest sitzt.
- ◆ Richten Sie die Nut in der Außenseite des Verlängerungsrohr-Verbindungsstücks (10) an der Feder auf der Innenseite des Sägekopf-Verbindungsstücks (4) aus.
- ◆ Drücken Sie den Sägekopf (4) auf das Verlängerungsrohr (10).
- ◆ Schieben Sie den Verschluss (14) nach unten, und drehen Sie ihn im Uhrzeigersinn, bis er ganz fest sitzt.

Warnung! Überprüfen Sie die Verbindungen in regelmäßigen Abständen, um sicherzustellen, dass sie sicher und fest sitzen.

Entfernen des Sägekopfes (Abb. C und D)

Wenn das Verlängerungsrohr (10) angebracht ist, muss zunächst der Sägekopf entfernt werden.

- ◆ Um den Sägekopf (4) zu entfernen, legen Sie den Griff (3) auf dem Boden ab, lösen Sie den Verschluss (14), und nehmen Sie den Sägekopf ab.

Verwendung

Warnung! Beschleunigen Sie den Arbeitsvorgang nicht mit Gewalt. Vermeiden Sie eine Überlastung.

Laden des Akkus - Abbildung A

Der Akku muss vor der erstmaligen Benutzung sowie immer dann aufgeladen werden, wenn das Gerät nicht mehr mit voller Leistung arbeitet. Der Akku kann sich während des

Warnung! Laden Sie den Akku nicht, wenn die Umgebungstemperatur unter 10 °C oder über 40 °C liegt. Empfohlene Ladetemperatur: etwa 24 °C.

Hinweis: Ein Akku, bei dem die Temperatur der Batteriezellen unter ca. 10 °C oder über 40 °C liegt, wird vom Ladegerät nicht geladen.

Lassen Sie in diesem Fall den Akku im Ladegerät. Das Ladegerät beginnt automatisch mit dem Ladevorgang sobald sich die Zellen erwärmt bzw. abgekühlt haben.

- ◆ Setzen Sie den Akku (11) in das Ladegerät (12) ein, um diesen zu laden. Der Akku kann nur in einer Richtung in das Ladegerät eingesetzt werden. Gehen Sie nicht mit Gewalt vor. Vergewissern Sie sich, dass der Akku ordnungsgemäß im Ladegerät steckt.
- ◆ Schließen Sie das Ladegerät an eine Steckdose an, und schalten Sie die Stromversorgung ein.
- ◆ Die Ladeanzeige (24) blinkt durchgängig grün (langsam). Der Ladevorgang ist abgeschlossen, wenn die Ladeanzeige (24) dauerhaft grün leuchtet. Sie können den Akku auf unbestimmte Zeit im Ladegerät belassen. In diesem Fall leuchtet die LED-Anzeige. Die LED-Anzeige beginnt grün zu blinken (Ladezustand), wenn der Akku gelegentlich nachgeladen wird. Solange der Akku mit dem angeschlossenen Ladegerät verbunden ist, leuchtet die Ladeanzeige (24).
- ◆ Ein entladener Akku sollte innerhalb einer Woche wieder aufgeladen werden. Die Lebensdauer des Akkus wird erheblich reduziert, wenn dieser in entladener Zustand aufbewahrt wird.

Belassen des Akkus im Ladegerät

Sie können den Akku auf im Ladegerät belassen. In diesem Fall leuchtet die LED-Anzeige dauerhaft. Das Ladegerät hält den Akku in einem vollständig geladenen Zustand.

Diagnose des Ladegeräts

Wenn das Ladegerät einen schwachen oder beschädigten Akku feststellt, blinkt die Ladeanzeige (24) in schneller Folge rot auf. Gehen Sie wie folgt vor:

- ◆ Setzen Sie den Akku (11) erneut ein.
- ◆ Falls die Ladeanzeige weiterhin in schneller Folge rot aufblinkt, verwenden Sie einen anderen Akku, um herauszufinden, ob der Ladevorgang ordnungsgemäß ausgeführt wird.
- ◆ Wenn der neu eingesetzte Akku ordnungsgemäß geladen wird, ist der ursprüngliche Akku defekt. Geben Sie diesen bei einem Service Center ab, damit er recycelt werden kann.
- ◆ Lassen Sie das Ladegerät von einer autorisierten Vertragswerkstatt überprüfen, wenn bei dem neuen Akku

dieselbe Anzeige erscheint wie bei dem ursprünglichen Akku.

Hinweis: Es kann bis zu 60 Minuten dauern, bis sich herausstellt, ob der Akku tatsächlich defekt ist. Ist der Akku zu heiß oder zu kalt, blinkt die LED-Anzeige abwechselnd langsam und schnell rot auf. Die Anzeige blinkt hierbei einmal langsam, einmal schnell. Danach wiederholt sich der Vorgang.

Ein- und Ausschalten (Abb. E)

Das Gerät ist zu Ihrer Sicherheit mit einer Zweihandbetätigung ausgestattet. Diese verhindert das versehentliche Einschalten.

Einschalten

- ◆ Drücken Sie die Einschaltsperrle (2) mit dem Daumen nach hinten, und drücken Sie gleichzeitig den Ein-/Ausschalter (1).
- ◆ Lassen Sie die Einschaltsperrle (2) los.

Ausschalten

- ◆ Lassen Sie den Ein-/Ausschalter (1) los.

Warnung! Versuchen Sie niemals, einen Schalter in seiner Einschaltstellung zu arretieren.

Äste schneiden (Abb. F)

- ◆ Vergewissern Sie sich, dass das Gerät seine volle Geschwindigkeit erreicht hat, bevor Sie die Kette ansetzen.
- ◆ Halten Sie das Gerät fest in seiner Position, um Rückschlag- und Seitwärtsbewegungen des Gerätes zu verhindern.
- ◆ Führen Sie das Gerät mit leichtem Druck durch den Ast. Wenn Sie schwere Äste schneiden, kann der Baum durch Teilschnitte splintern oder beschädigt werden. Gehen Sie folgendermaßen vor:
 - ◆ Setzen Sie den ersten Schnitt 15 cm vom Baumstamm entfernt auf der Unterseite des Asts an. Verwenden Sie für diesen Schnitt die Oberseite des Führungsschwerts (6).
 - ◆ Schneiden Sie durch ein Drittel des Astdurchmessers. Schneiden Sie dann von oben nach unten.

Reinigung, Wartung und Lagerung

Ihr BLACK+DECKER Gerät (mit und ohne Netzkabel) wurde im Hinblick auf eine lange Lebensdauer und einen möglichst geringen Wartungsaufwand entwickelt. Ein kontinuierlicher, zufriedenstellender Betrieb hängt von der richtigen Pflege des Gerätes und seiner regelmäßigen Reinigung ab.

Warnung! Vor dem Ausführen jeglicher Wartungsarbeiten an Geräten mit und ohne Netzkabel:

- ◆ Schalten Sie das Gerät aus, und ziehen Sie den Netzstecker.

- ◆ Wenn das Gerät über einen separaten Akku verfügt, schalten Sie den Akku ab, und entfernen Sie ihn vom Gerät.
- ◆ Wenn der Akku integriert ist, entladen Sie diesen vor dem Abschalten vollständig.
- ◆ Trennen Sie das Ladegerät von der Stromversorgung, bevor Sie es reinigen. Das Ladegerät benötigt keine Wartung, es sollte jedoch regelmäßig gereinigt werden.

Reinigen Sie regelmäßig die Lüftungsschlitze des Geräts und des Ladegeräts mit einer weichen Bürste oder einem trockenen Tuch.

Reinigen Sie regelmäßig das Motorgehäuse mithilfe eines feuchten Tuchs. Verwenden Sie keine scheuernden Reinigungsmittel oder Reinigungsmittel auf

Lösungsmittelbasis. Öffnen Sie regelmäßig das Spannfutter, und entfernen Sie durch Klopfen ggf. Staub aus dem Inneren des Geräts.

Nach dem Gebrauch und vor der Aufbewahrung

- ◆ Reinigen Sie die Lüftungsschlitze regelmäßig mit einem sauberen, trockenen Pinsel.
- ◆ Reinigen Sie das Gerät ausschließlich mit milder Seifenlösung und einem angefeuchteten Tuch. Achten Sie darauf, dass keine Flüssigkeit in das Gerät gelangt. Tauchen Sie kein Teil des Geräts in Flüssigkeit ein.
- ◆ Entfernen Sie Schmutzablagerungen mit einer Hartbürste. Schmieren Sie die Kette mit Öl.

Einsetzen und Entfernen der Sägekette (Abb. G und H)

Warnung! Tragen Sie beim Aufziehen und Abnehmen der Sägekette immer eine Schutzbrille. Die Sägekette ist scharf und kann auch in ruhendem Zustand zu Schnittverletzungen führen.

- ◆ Legen Sie das Gerät auf eine sehr stabile Unterlage.
- ◆ Lösen Sie die Schrauben (16) mit dem mitgelieferten Sechskantschlüssel. Entfernen Sie die Schrauben.
- ◆ Entfernen Sie die Kettenradabdeckung (5) und die Schwertklemme (17).
- ◆ Drehen Sie die Schraube (18) gegen den Uhrzeigersinn, um das Führungsschwert (6) zurückzuführen und die Spannung der Sägekette (7) zu vermindern.
- ◆ Nehmen Sie die alte Sägekette vom Kettenrad (19) und dem Führungsschwert (6).
- ◆ Legen Sie die neue Kette in die Nut des Führungsschwerts und um das Kettenrad. Stellen Sie sicher, dass die Zähne in die richtige Richtung weisen, indem Sie die Pfeile auf der Kette und auf dem Gehäuse aneinander ausrichten.
- ◆ Stellen Sie sicher, dass sich die Aussparung (20) im Führungsschwert über den Arretierstiften (21) und das Loch (22) unter der Aussparung über dem Justierstift (23) befindet.

- ◆ Bringen Sie die Kettenabdeckung (5), die Schwertklemme (17) und die Schrauben (16) wieder an.
- ◆ Ziehen Sie die Schrauben (16) mit dem mitgelieferten Sechskantschlüssel fest.
- ◆ Stellen Sie die Kettenspannung wie nachfolgend beschrieben ein.

Um ein kontinuierlich sicheres Arbeiten zu gewährleisten, dürfen Kette und Führungsschwert ausschließlich durch Originalersatzteile von BLACK+DECKER ersetzt werden. Teilenummer der Ersatzkette: A6158, Teilenummer des Ersatzführungsschwerts: 623381-00.

Prüfen und Einstellen der Kettenspannung (Abb. G)

- ◆ Überprüfen Sie die Spannung der Kette. Die Kette (7) ist richtig gespannt, wenn sie sich mit wenig Kraftaufwand mit Mittelfinger und Daumen ca. 3 mm vom Führungsschwert abheben lässt. Die Kette (7) muss ohne durchzuhängen an der Unterseite des Führungsschwerts (6) anliegen.

So stellen Sie die Spannung ein:

- ◆ Lösen Sie die Schrauben (16).
- ◆ Drehen Sie die Schraube (18) im Uhrzeigersinn.

Warnung! Überspannen Sie die Kette nicht. Dies würde den Verschleiß erhöhen und die Lebensdauer von Kette und Führungsschwert verkürzen.

- ◆ Ziehen Sie die Schrauben (18) an, sobald die Spannung richtig eingestellt ist.

Warnung! Prüfen Sie die Spannung bei einer neuen Sägekette während der ersten zwei Betriebsstunden häufig, da sich eine neue Kette etwas dehnt.

Ölen der Kette

Die Sägekette muss vor jedem Gebrauch und nach der Reinigung geölt werden. Verwenden Sie hierfür nur die richtige Ölsorte (Katalognr. A6027).

- ◆ Ölen Sie die Kette (7) gleichmäßig mithilfe des Applikators (9).

Aufbewahrung

Wenn das Gerät für mehrere Monate nicht benutzt wird, sollte der Akku am besten im Ladegerät verbleiben.

Gehen Sie anderenfalls wie folgt vor:

- ◆ Laden Sie den Akku vollständig auf.
- ◆ Entfernen Sie den Akku aus dem Gerät.
- ◆ Bewahren Sie das Gerät und den Akku an einem sicheren und trockenen Ort auf.
- ◆ Die Temperatur am Aufbewahrungsort muss immer im Bereich von +10°C bis +40°C liegen. Legen Sie den Akku auf einem waagerechten Untergrund ab.
- ◆ Nach langer Lagerzeit sollte vor der Verwendung des Geräts der Akku voll aufgeladen werden.

Umweltschutz



Getrennte Entsorgung. Produkte und Akkus mit diesem Symbol dürfen nicht mit dem normalen Hausmüll entsorgt werden.

Produkte und Akkus enthalten Materialien, die wiederverwertet werden können, um den Bedarf an Rohstoffen zu verringern. Bitte recyceln Sie elektrische Produkte und Akkus gemäß den örtlichen Bestimmungen.

Weitere Informationen finden Sie auf www.2helpU.com

Technische Daten

PS1820ST1, PS1820L1 H2		
Spannung	V _{DC}	18
Kettengeschwindigkeit (Leerlauf)	m/s	190
Max. Schnittlänge	cm	17
Gewicht	kg	3,5
Akku BL2518		
Spannung	V _{DC}	18
Kapazität	Ah	2,5
Typ		Lithium-Ionen
Ladegerät 906068**		
Eingangsspannung	V _{AC}	230
Ausgangsspannung	Ah	18
Ausgangsstrom	mA	2000

Höhe des Schalldrucks, gemessen nach EN 60745:

LpA (Schalldruck) 78 dB(A), Unsicherheitsfaktor (K) 3 dB(A)
LwA (Schalleistung) 98 dB(A), Unsicherheitsfaktor (K) 3 dB(A)

Gesamtvibration (Triax-Vektorsumme) gemäß EN 60745:

Schneiden von frisch gefälltem Weichholz (a_{h,yw}) <2,5 m/s²,
Unsicherheitsfaktor (K) = 1,5 m/s²

EU-Konformitätserklärung MASCHINENRICHTLINIE



PS1820ST1, PS1820L1 – Hochentaster

Black & Decker erklärt, dass die in den technischen Daten beschriebenen Geräte übereinstimmen mit:

EN 60745-1:2009 +A11:2010, EN ISO 11680-1:2011

Diese Produkte entsprechen außerdem den Richtlinien 2006/42/EG, 2014/30/EU und 2011/65/EU.

Weitere Informationen erhalten Sie von Black & Decker unter der folgenden Adresse. Diese befindet sich auch auf der Rückseite dieser Anleitung.

Der Unterzeichnete ist verantwortlich für die Zusammenstellung der technischen Daten und gibt diese Erklärung im Namen von Black & Decker ab.



A. Smith
Technical Director
Black & Decker Europe, 210 Bath Road, Slough,
Berkshire, SL1 3YD
United Kingdom
15/01/2019

Garantie

Black & Decker vertraut auf die Qualität der eigenen Geräte und bietet dem Käufer eine außergewöhnliche Garantie von 24 Monaten ab Kaufdatum. Diese Garantie versteht sich unbeschadet der gesetzlichen Gewährleistungsansprüche und schränkt diese keinesfalls ein. Diese Garantie gilt innerhalb der Staatsgebiete der Mitgliedstaaten der Europäischen Union und der Europäischen Freihandelszone.

Zur Inanspruchnahme dieser Garantie muss sie den allgemeinen Geschäftsbedingungen von Black & Decker entsprechen und dem Verkäufer bzw. der Vertragswerkstatt ist ein Kaufnachweis vorzulegen. Die Bedingungen für die 2-jährige Garantie von Black & Decker und den Standort Ihrer nächstgelegenen Vertragswerkstatt finden Sie im Internet unter www.2helpU.com oder indem Sie sich an die lokale Black & Decker-Niederlassung wenden, deren Adresse Sie in dieser Anleitung finden.

Ihr neues Black & Decker Produkt können Sie auf unserer Website unter www.blackanddecker.de registrieren. Dort erhalten Sie auch Informationen über neue Produkte und Sonderangebote.

Utilisation prévue

Votre perche d'élagage BLACK+DECKER™ PS1820ST1, PS1820L1 sans fil a été conçue pour élaguer les arbres. Cet outil est prévu pour un usage grand public uniquement. Votre chargeur BLACK+DECKER a été conçu pour charger les batteries BLACK+DECKER correspondant à cet outil.

Consignes de sécurité

Avertissements de sécurité générale liés aux outils électriques



Avertissement ! Lisez tous les avertissements et toutes les consignes de sécurité.

Le non-respect des avertissements et des instructions listés ci-dessous peut entraîner des chocs électriques, des incendies et/ou de graves blessures.

Conservez tous les avertissements et toutes les instructions afin de pouvoir vous y référer dans le futur. Le terme "outil électrique" mentionné dans tous les avertissements listés ci-dessous fait référence à vos outils électriques branchés sur secteur (avec câble) ou fonctionnant sur pile ou batterie (sans fil).

1. Sécurité de la zone de travail

- a. **Maintenez la zone de travail propre et bien éclairée.** Les zones sombres ou encombrées sont propices aux accidents.
- b. **N'utilisez pas d'outils électriques dans un environnement présentant des risques d'explosion ou en présence de liquides, gaz ou poussières inflammables.** Les outils électriques créent des étincelles qui peuvent enflammer les poussières et les fumées.
- c. **Maintenez les enfants et les autres personnes éloignés lorsque les outils électriques sont en marche.** Toute distraction peut vous faire perdre le contrôle de l'outil.

2. Sécurité électrique

- a. **Les prises des outils électriques doivent correspondre à la prise de courant murale. Ne modifiez jamais la prise d'aucune sorte. N'utilisez aucun adaptateur avec des outils électriques reliés à la terre.** L'utilisation de prises d'origine et de prises murales appropriées permet de réduire le risque de choc électrique.
- b. **Évitez tout contact physique avec des surfaces reliées à la terre comme des tuyaux, des radiateurs, des fours et des réfrigérateurs par exemple.** Le risque de choc électrique augmente lorsque votre corps est relié à la terre.

- c. **N'exposez pas les outils électriques à la pluie, ni à l'humidité.** Le risque de choc électrique augmente si de l'eau pénètre dans un outil électrique.
- d. **Ne tirez pas sur le cordon d'alimentation. N'utilisez jamais le cordon pour transporter, tirer ou débrancher l'outil électrique. Maintenez le cordon éloigné de la chaleur, de substances grasses, de bords tranchants ou de pièces mobiles.** Les cordons endommagés ou emmêlés augmentent le risque de choc électrique.
- e. **Si vous utilisez un outil électrique à l'extérieur, utilisez une rallonge homologuée pour les travaux extérieurs.** L'utilisation d'une rallonge électrique homologuée pour les travaux en extérieur réduit le risque de choc électrique.
- f. **Si l'utilisation d'un outil électrique dans un endroit humide est inévitable, utilisez une alimentation électrique protégée par un disjoncteur différentiel à courant résiduel.** L'utilisation d'un disjoncteur différentiel réduit le risque de choc électrique.
3. **Sécurité des personnes**
- a. **Restez vigilant, surveillez ce que vous faites et faites preuve de bon sens lorsque vous utilisez un outil électrique. N'utilisez pas d'outils électriques si vous êtes fatigué ou sous l'influence de drogue, d'alcool ou de médicaments.** Tout moment d'inattention pendant l'utilisation d'un outil électrique peut engendrer de graves blessures.
- b. **Portez des équipements de protection individuelle. Portez toujours une protection oculaire.** Les équipements de protection comme les masques à poussière, les chaussures de sécurité antidérapantes, les casques ou les protections auditives, utilisés à bon escient, réduisent le risque de blessures.
- c. **Empêchez tout démarrage intempestif. Assurez-vous que l'interrupteur est en position Arrêt avant de raccorder l'outil à l'alimentation électrique et/ou au bloc-batterie ou avant de ramasser ou de transporter l'outil.** Le fait de transporter les outils électriques le doigt sur l'interrupteur ou d'alimenter les outils électriques dont l'interrupteur est déjà en position de marche augmente le risque d'accidents.
- d. **Retirez toutes les clés ou pinces de réglage avant de mettre l'outil en marche.** Une clé ou une pince restée fixée sur une pièce rotative de l'outil électrique peut engendrer des blessures.
- e. **Ne vous penchez pas. Gardez les pieds bien ancrés au sol et conservez votre équilibre en permanence.** Cela permet de mieux maîtriser l'outil électrique en cas de situations imprévues.
- f. **Portez des vêtements appropriés. Ne portez aucun vêtement ample ou bijou. Gardez vos cheveux, vos vêtements et vos gants éloignés des pièces mobiles.**
- Les vêtements amples, les bijoux ou les cheveux longs peuvent être happés par les pièces mobiles.
- g. **Si des dispositifs pour le raccordement d'un extracteur de poussières ou des installations pour la récupération sont présents, assurez-vous qu'ils sont correctement raccordés et utilisés.** L'utilisation de dispositifs récupérateurs de poussières réduit les risques liés aux poussières.
- h. **Ne pensez pas être si familiarisé avec l'outil après l'avoir utilisé à de nombreuses reprises, au point de ne plus rester vigilant et d'en oublier les consignes de sécurité.** Toute action imprudente peut engendrer de graves blessures en une fraction de seconde.
4. **Utilisation et entretien des outils électriques**
- a. **Respectez la capacité de l'outil. Utilisez l'outil approprié en fonction du travail à réaliser.** Un outil adapté fonctionne mieux, de façon plus sûre et à la cadence pour laquelle il a été conçu.
- b. **N'utilisez pas l'outil électrique si son interrupteur ne permet pas de l'allumer ou de l'éteindre.** Tout outil électrique qui ne peut plus être commandé par son interrupteur est dangereux et doit être réparé.
- c. **Débranchez la prise du secteur et/ou retirez le bloc-batterie de l'outil électrique avant d'effectuer tout réglage, de changer un accessoire ou de ranger l'outil électrique.** Ces mesures de sécurité préventives réduisent le risque de démarrage accidentel de l'outil électrique.
- d. **Rangez les outils électriques non utilisés hors de portée des enfants et ne laissez aucune personne ne connaissant pas ces outils ou leurs instructions d'utilisation les faire fonctionner.** Les outils électriques peuvent être dangereux entre des mains inexpérimentées.
- e. **Entretenez vos outils électriques. Vérifiez que les pièces mobiles sont alignées correctement et qu'elles ne sont pas coincées. Vérifiez qu'aucune pièce n'est cassée et contrôlez l'absence de toute autre condition qui pourrait nuire au bon fonctionnement de l'outil. En cas de dommage, faites réparer l'outil électrique avant de l'utiliser.** De nombreux accidents sont provoqués par des outils électriques mal entretenus.
- f. **Maintenez les organes de coupe affûtés et propres.** Des organes de coupe bien entretenus et affûtés sont moins susceptibles de rester coincés et sont plus faciles à contrôler.
- g. **Utilisez l'outil électrique, les accessoires et les embouts d'outils conformément à ces instructions, en tenant compte des conditions de travail, ainsi que du travail à effectuer.** L'utilisation d'un outil électrique à des fins autres que celles pour lesquelles il a été prévu engendre des situations dangereuses.

- h. **Veillez à ce que les poignées et les surfaces de préhension soient sèches et propres, sans trace d'huile ou de graisse.** Des poignées glissantes et des surfaces grasses ne permettent pas de manipuler ou de contrôler l'outil de façon sûre en cas de situation inattendue.
5. **Utilisation et entretien de la batterie de l'outil**
- N'effectuez la recharge qu'à l'aide du chargeur spécifié par le fabricant.** Un chargeur adapté pour un type de bloc-batterie peut engendrer un risque d'incendie s'il est utilisé avec un bloc-batterie différent.
 - N'utilisez les outils électriques qu'avec les blocs-batteries qui leur sont dédiés.** L'utilisation d'un autre bloc-batterie peut engendrer des blessures et un incendie.
 - Lorsque le bloc-batterie n'est pas utilisé, éloignez-le des objets en métal comme les trombones, les pièces de monnaies, les clés, les clous, les vis ou d'autres petits objets métalliques qui pourraient créer un contact entre les deux bornes.** La mise en court-circuit des bornes d'une batterie peut provoquer des brûlures ou un incendie.
 - En cas d'utilisation abusive, du liquide peut être éjecté de la batterie. Évitez tout contact avec ce liquide. En cas de contact accidentel, rincez à l'eau. En cas de contact avec les yeux, consultez en plus un médecin.** Le liquide projeté de la batterie peut provoquer des irritations ou des brûlures.
 - N'utilisez pas un bloc-batterie ou un outil endommagé ou modifié.** Une batterie endommagée ou altérée peut avoir un comportement imprévisible qui peut conduire à un incendie, une explosion ou un risque de blessure.
 - N'exposez pas le bloc-batterie ou l'outil au feu ou à des températures excessives.** L'exposition au feu ou à des températures dépassant 130 °C peut provoquer une explosion.
 - Respectez les instructions de charge et ne rechargez pas le bloc-batterie ou l'outil à une plage de températures hors de celle spécifiée dans les instructions.** Une charge mal effectuée ou à des températures hors de la plage spécifiée peut endommager la batterie et augmenter le risque d'incendie.
6. **Révision/Réparation**
- Faites réparer votre outil électrique par une personne qualifiée, n'utilisant que des pièces de rechange d'origine.** Cela permet de garantir la sûreté de l'outil électrique.
 - Ne réparez jamais des blocs-batteries endommagés.** Les réparations sur les blocs-batteries ne doivent être effectuées que le fabricant ou l'un de ses prestataires de services agréés.

Consignes de sécurité supplémentaires concernant les outils électroportatifs

Consignes de sécurité supplémentaires pour l'ébrancheur



Avertissement ! Consignes de sécurité supplémentaires liées aux tronçonneuses et Élagueuse sur perche.

- ◆ **Gardez l'ensemble de votre corps éloigné de la chaîne pendant le fonctionnement de la tronçonneuse. Avant de démarrer la tronçonneuse, assurez-vous que rien n'est en contact avec la chaîne.** Tout moment d'inattention pendant le fonctionnement de la tronçonneuse peut être propice à un enchevêtrement de vos vêtements ou d'une partie de votre corps dans l'outil.
- ◆ **Maintenez toujours la tronçonneuse avec la main droite sur la poignée arrière et la main gauche sur la poignée avant.** N'inversez jamais les mains pour tenir la tronçonneuse car cela augmente les risques de blessure.
- ◆ **Ne tenez l'outil électrique que par ses surfaces de préhension isolées car il est possible que la tronçonneuse entre en contact avec des fils cachés.** Tout contact de la tronçonneuse avec un fil sous tension peut mettre les parties métalliques exposées de l'outil sous tension et provoquer un choc électrique à l'utilisateur.
- ◆ **Portez des lunettes de sécurité et une protection auditive. Des équipements de protection pour la tête, les mains, les jambes et les pieds est aussi recommandé.** Des vêtements de protection appropriés permettent de réduire les blessures éventuelles dues à des projections ou à un contact accidentel avec la chaîne.
- ◆ **N'utilisez pas la tronçonneuse dans un arbre.** Le non-respect de cette consigne est susceptible de provoquer des blessures.
- ◆ **Adoptez toujours une posture stable et ne faites fonctionner la tronçonneuse que si vous vous trouvez sur une surface fixe, ferme et de niveau.** Les surfaces glissantes et non stables, comme les échelles, peuvent provoquer une perte d'équilibre ou de contrôle de la tronçonneuse.
- ◆ **Si vous sciez une branche maîtresse cintrée, prenez garde à l'effet ressort (son redressement soudain).** Lorsque le bois se décintre, la branche peut frapper l'opérateur et/ou lui faire perdre le contrôle de la tronçonneuse.
- ◆ **Soyez extrêmement prudent pour la coupe de jeunes arbres et de bosquets.** Les tiges peuvent s'accrocher dans la chaîne et être éjectées vers vous ou vous faire perdre l'équilibre.
- ◆ **Transportez la tronçonneuse par la poignée avant, éteinte et loin de votre corps. Pendant le transport ou**

le rangement de la tronçonneuse, installez toujours le fourreau sur le guide-chaîne. Une manipulation appropriée de la tronçonneuse réduit les risques de contact accidentel avec la chaîne en mouvement.

- ◆ **Suivez les instructions pour le graissage, la tension de la chaîne et le changement des accessoires.** Une chaîne mal tendue ou mal graissée peut soit se casser, soit provoquer un rebond
- ◆ **Veillez à ce que les poignées restent sèches et propres, exemptes d'huile ou de graisse.** Les poignées grasses sont glissantes et provoquent la perte de contrôle.
- ◆ **Ne sciez que du bois. N'utilisez la tronçonneuse que pour les travaux auxquels elle est destinée.** N'utilisez par exemple pas la tronçonneuse pour couper du plastique, des matériaux de maçonnerie ou des matériaux de construction autre que le bois. L'utilisation de la tronçonneuse à d'autres fins que celles prévues peut entraîner des situations dangereuses.

Cause et prévention des rebonds pour l'utilisateur

Un rebond peut se produire si le nez ou la pointe du guide-chaîne touche un objet ou si le bois se referme et pince la chaîne dans le trait de coupe.

Le contact de la pointe peut dans certains cas provoquer une brusque réaction inverse qui soulève le guide-chaîne et l'entraîne dans la direction de l'utilisateur. Si la chaîne est coincée en haut du guide-chaîne, ce dernier peut revenir rapidement vers l'utilisateur. Ce genre de réactions peut entraîner une perte de contrôle de la tronçonneuse et provoquer de graves blessures. Ne vous fiez pas uniquement aux dispositifs de sécurité intégrés à votre tronçonneuse. En tant qu'utilisateur, vous devez prendre certaines mesures pour éviter les accidents ou les blessures pendant les travaux de coupe.

Les rebonds proviennent d'une utilisation incorrecte de l'outil ou de conditions ou procédures d'exécution incorrectes et ils peuvent être évités en prenant les précautions adéquates énoncées ci-dessous :

- ◆ **Maintenez fermement la tronçonneuse, avec vos pouces et vos doigts enveloppant les poignées de la tronçonneuse. Avec les deux mains sur la tronçonneuse, placez votre corps et votre bras de manière à pouvoir résister à la force d'un rebond.** La force d'un rebond peut être contrôlée par l'utilisateur si les précautions nécessaires sont prises. Ne relâchez pas la tronçonneuse.
- ◆ **Ne vous penchez pas et ne coupez pas au-dessus de la hauteur de votre épaule.** Ceci permet d'éviter un contact accidentel du bout de la chaîne et d'obtenir un meilleur contrôle de la tronçonneuse dans des situations inattendues.
- ◆ **N'utilisez que des guides et des chaînes de rechange prescrites par le fabricant.** Des guides et chaînes du

mauvais type peuvent provoquer la rupture de la chaîne et/ou des rebonds.

- ◆ **Respectez les consignes d'affûtage et de maintenance du fabricant de la chaîne.** La diminution de la hauteur de la jauge de profondeur, peut augmenter les rebonds.
- ◆ **Il existe un risque de rebond si vous heurtez du métal, du ciment ou tout autre matériau dur placé à côté du bois, ou à l'intérieur du bois.**
- ◆ **Une chaîne émoussée ou détendue peut aussi provoquer un rebond.**
- ◆ **Ne tentez pas de la réinsérer dans un trait de coupe existant car cela pourrait provoquer un rebond.** Faites toujours une nouvelle entaille.
- ◆ **Si vous utilisez cet outil pour la première fois, nous vous conseillons vivement d'acquiescer des conseils pratiques sur l'utilisation de la tronçonneuse et de l'équipement de protection de la part d'un utilisateur expérimenté.** Pour terminer l'apprentissage, il est conseillé de s'entraîner en sciant des bûches sur un chevalet ou sur un socle.
- ◆ **Nous vous recommandons de retirer la batterie lorsque vous transportez la tronçonneuse et de veiller à orienter la chaîne vers l'arrière.**
- ◆ **Entretenez votre tronçonneuse lorsque vous ne l'utilisez pas. Si vous souhaitez ranger votre tronçonneuse, enlevez toujours la chaîne et le guide-chaîne et maintenez-les immergés dans un bain d'huile.** Rangez toutes les pièces de votre tronçonneuse dans un endroit sec et sûr hors de portée des enfants.
- ◆ **Nous vous recommandons de vidanger le réservoir d'huile avant de ranger la tronçonneuse.**
- ◆ **Gardez une posture stable et prévoyez une voie de repli sûre, loin des arbres ou des branches à abattre.**
- ◆ **Utilisez des cales biaisées pour contrôler l'abatage et éviter de plier le guide-chaîne et la chaîne dans l'entaille.**
- ◆ **Entretien de la chaîne.** Assurez-vous que la chaîne est fermement enroulée sur le guide de chaîne. Vérifiez que la chaîne et le guide sont bien propres et bien huilés. Veillez à ce que les poignées soient sèches et propres, sans trace d'huile ou de graisse.
- ◆ **Travaillez toujours avec quelqu'un à proximité (tout en respectant une distance de sécurité), pour le cas où un accident se produirait.**
- ◆ **Si vous devez toucher la chaîne pour quelque raison que ce soit, assurez-vous d'avoir retiré la batterie.**
- ◆ **Le bruit émis par la tronçonneuse peut dépasser 85 dB(A).** Nous vous recommandons donc vivement de prendre les mesures appropriées pour vous protéger du bruit.
- ◆ **Pendant la manipulation de l'appareil, le guide-chaîne peut devenir très chaud.** Manipulez-le avec précaution.
- ◆ **Gardez les rallonges loin des organes de coupe.**

Sécurité des personnes

- ◆ Cet appareil peut être utilisé par des enfants âgés de 8 ans ou plus et des personnes ayant des déficiences physiques, mentales ou sensorielles. Cette consigne s'applique aux personnes ayant reçu les instructions appropriées d'utilisation fiable et ayant connaissance des dangers existants.
- ◆ Ne laissez pas les enfants jouer avec l'appareil. Les enfants ne peuvent en aucun cas assurer le nettoyage et la maintenance sans surveillance.

Risques résiduels

Certains risques résiduels autres que ceux mentionnés dans les avertissements sur la sécurité peuvent survenir en utilisant l'outil. Ces risques peuvent être provoqués par une utilisation incorrecte, prolongée, etc.

Malgré l'application des normes de sécurité pertinentes et la mise en œuvre de dispositifs de sécurité, certains risques résiduels ne peuvent pas être évités. Ils comprennent :

- ◆ Les blessures dues au contact avec des pièces rotatives/mobiles.
- ◆ Les blessures dues au remplacement de pièces, de lames ou d'accessoires.
- ◆ Les blessures dues à l'utilisation prolongée d'un outil. Lorsque vous utilisez un outil quel qu'il soit pendant de longues périodes, assurez-vous de faire des pauses régulières.
- ◆ La diminution de l'acuité auditive.
- ◆ Les risques pour la santé provoqués par l'inhalation des poussières générées pendant l'utilisation de votre outil (exemple : travail avec du bois, surtout le chêne, le hêtre et les panneaux en MDF).

Vibrations

La valeur des émissions de vibrations déclarée dans la section Caractéristiques techniques et la déclaration de conformité a été mesurée selon une méthode de test standard fournie par la norme EN 60745 et peut être utilisée pour comparer un outil à un autre. La valeur des émissions de vibrations déclarée peut aussi être utilisée pour une évaluation préliminaire à l'exposition.

Avertissement ! En fonction de la manière dont l'outil est utilisé, la valeur des émissions de vibrations réelles pendant l'utilisation de l'outil peut différer de la valeur déclarée. Le niveau des vibrations peut dépasser le niveau déclaré.

Quand l'exposition aux vibrations est évaluée afin de déterminer les mesures de sécurité requises par la norme 2002/44/CE pour protéger les personnes utilisant régulièrement des outils électriques, cette estimation doit tenir compte des conditions réelles d'utilisation et de la façon dont l'outil est utilisé. Il faut également tenir compte de toutes les composantes du cycle de fonctionnement comme la durée pendant laquelle

l'outil est arrêté et quand il fonctionne au ralenti, ainsi que la durée du déclenchement.

Élagage

Avant d'élaguer un arbre, assurez-vous que la législation ou les réglementations locales n'interdisent ou ne limitent pas l'abattage.

- ◆ Anticipez la direction dans laquelle une branche risque de tomber. Tenez compte de toutes les conditions pouvant affecter la direction de la chute, notamment :
 - ◆ La longueur et le poids de la branche à élaguer.
 - ◆ La direction de chute souhaitée.
 - ◆ Toute carie ou défaut important de la structure d'une branche maîtresse.
 - ◆ Les arbres environnants et les obstacles.
 - ◆ La présence de lignes aériennes.
 - ◆ Une branche entrelacée dans les autres branches.
 - ◆ La vitesse et la direction du vent.
 - ◆ Vérifiez l'accès aux branches.

Les branches peuvent bouger en direction du tronc de l'arbre. De plus, les personnes, bâtiments ou objets se trouvant sous la branche risquent d'être heurtés par la branche.

Étiquettes apposées sur l'outil

Les pictogrammes qui suivent figurent sur l'outil avec le code date :



Avertissement ! Afin de réduire le risque de blessures, l'utilisateur doit lire le manuel d'utilisation.



N'exposez pas l'appareil à la pluie ou à l'humidité.



Faites attention aux chutes d'objets. Gardez à distance les éventuelles personnes alentour.



Risque d'électrocution. Gardez une distance d'au moins 10 m avec les lignes aériennes.



Portez toujours des lunettes de sécurité et un casque.



Portez des chaussures de sécurité antidérapantes.



Pour continuer à utiliser l'appareil en toute sécurité, vérifiez la tension de la chaîne (dans ce manuel) toutes les 10 minutes et ajustez en laissant un jeu de 3 mm, comme requis. Graissez la chaîne toutes les 10 minutes.



Sens de rotation de la chaîne.



Avertissement ! Ne touchez pas la chaîne au point d'éjection des copeaux.

Consignes de sécurité supplémentaires relatives aux batteries et chargeurs

Batteries

- ◆ Ne tentez jamais de les ouvrir sous aucun prétexte.
- ◆ N'exposez pas la batterie à l'eau.
- ◆ Ne la stockez pas dans des endroits où la température peut dépasser 40 °C.
- ◆ Ne les rechargez qu'à une température ambiante comprise entre 10 °C et 40 °C.
- ◆ Ne rechargez qu'à l'aide du chargeur fourni avec l'outil.
- ◆ Pour la mise au rebut des batteries/piles, respectez les instructions mentionnées à la section « Protection de l'environnement ».
- ◆ Ne déformez/n'endommagez pas le bloc-batterie en le perçant ou en le cognant, ceci pourrait entraîner des blessures et un incendie.
- ◆ Ne rechargez pas des batteries endommagées.
- ◆ Dans des conditions extrêmes, une batterie peut fuir. Si vous détectez une fuite, utilisez un chiffon pour essuyer le liquide avec précaution. Évitez tout contact avec la peau.
- ◆ En cas de contact avec la peau ou les yeux, suivez les instructions ci-dessous.

Avertissement ! Le liquide de batterie peut provoquer des blessures ou des dommages. En cas de contact avec la peau, rincez immédiatement à l'eau. Si des rougeurs, une douleur ou une irritation se produisent, consultez un médecin. En cas de contact avec les yeux, rincez immédiatement à l'eau et consultez un médecin.

Chargeurs

Votre chargeur a été conçu pour une tension spécifique. Vérifiez toujours que la tension du réseau électrique correspond à la tension figurant sur la plaque signalétique.

- ◆ N'utilisez votre chargeur BLACK+DECKER que pour recharger la batterie fournie avec l'appareil/outil. D'autres batteries pourraient exploser et provoquer des blessures et des dommages.
- ◆ Ne tentez jamais de recharger des piles non rechargeables.
- ◆ Faites immédiatement remplacer les cordons endommagés.
- ◆ N'exposez pas le chargeur à l'eau.
- ◆ N'ouvrez pas le chargeur.
- ◆ Ne sondez pas le chargeur.
- ◆ Placez le chargeur dans un endroit correctement aéré pendant la charge.

Symboles sur le chargeur

Les symboles suivants se trouvent sur votre chargeur :



Le chargeur est conçu pour être exclusivement utilisé à l'intérieur.



Lisez le manuel d'utilisation avant de l'utiliser.

Sécurité électrique



Votre chargeur dispose d'une double isolation ; aucun fil de terre n'est donc nécessaire. Vérifiez toujours que la tension du réseau électrique correspond à la tension figurant sur la plaque signalétique. N'essayez jamais de remplacer le module de charge par une prise secteur ordinaire.

- ◆ Si le câble d'alimentation est endommagé, il doit être remplacé par le fabricant ou par un centre d'assistance agréé BLACK+DECKER afin d'éviter tout risque.

Caractéristiques

Cet appareil présente tout ou partie des caractéristiques suivantes.

1. Bouton marche/arrêt
2. Bouton de déblocage
3. Poignée principale
4. Embout de scie
5. Cache pignon
6. Guide-chaîne
7. Chaîne
8. Gaine de chaîne
9. Bouteille de graissage
10. Tube rallonge
11. Batterie

Figure A

12. Chargeur

Assemblage

Avertissement ! Avant l'assemblage, retirez la batterie de l'outil.

Installation et retrait de la batterie (fig. B)

- ◆ Pour installer la batterie (11), alignez-la avec le boîtier de l'outil. Glissez la batterie dans le boîtier et poussez-la jusqu'à ce qu'elle se bloque en position.
- ◆ Pour retirer la batterie, enfoncez le bouton de libération (13) en extrayant simultanément la batterie hors du boîtier.

Avertissement ! Pour éviter un accident, vérifiez que la batterie est retirée et que la gaine de chaîne est sur la chaîne avant d'effectuer les opérations suivantes. Le non respect de cette consigne peut entraîner des blessures graves.

Installation et retrait de la batterie (fig. B)

- ◆ Pour installer la batterie (11), alignez-la avec le boîtier de l'outil. Glissez la batterie dans le boîtier et poussez-la jusqu'à ce qu'elle se bloque en position.
- ◆ Pour retirer la batterie, enfoncez le bouton de libération (13) en extrayant simultanément la batterie hors du boîtier.

Avertissement ! Pour éviter un accident, vérifiez que la batterie est retirée et que la gaine de chaîne est sur la chaîne avant d'effectuer les opérations suivantes. Le non respect de cette consigne peut entraîner des blessures graves.

Installation de la tête de scie (fig. C)

La tête de scie peut être directement installée sur le manche pour être d'une longueur standard.

- ◆ Alignez la rainure sur l'extérieur de l'extrémité de raccordement du manche (3) avec la languette à l'intérieur de l'extrémité de raccordement de la tête de scie (4). Poussez la tête de scie (4) sur le manche (3).
- ◆ Glissez le collier (14) vers le bas et tournez-le dans les sens des aiguilles d'une montre jusqu'à ce qu'il soit complètement serré.

Avertissement ! Vérifiez régulièrement le bon serrage des raccords.

Extension de l'embout de scie (figure D)

Pour obtenir la longueur maximale, installez le tube rallonge (10) entre la tête de scie (4) et le manche (3).

- ◆ Alignez la rainure sur l'extérieur de l'extrémité de raccordement du manche (3) avec la languette à l'intérieur de l'extrémité de raccordement du tube rallonge (10).
- ◆ Poussez le tube rallonge (10) sur le manche (3).
- ◆ Glissez le collier (15) vers le bas et tournez-le dans les sens des aiguilles d'une montre jusqu'à ce qu'il soit complètement serré.
- ◆ Alignez la rainure sur l'extérieur de l'extrémité de raccordement du tube rallonge (10) avec la languette à l'intérieur de l'extrémité de raccordement de la tête de scie (4).
- ◆ Poussez la tête de scie (4) sur le tube rallonge (10).
- ◆ Glissez le collier (14) vers le bas et tournez-le dans les sens des aiguilles d'une montre jusqu'à ce qu'il soit complètement serré.

Avertissement ! Vérifiez régulièrement le bon serrage des raccords.

Retrait de l'embout de scie (figure C et D)

Si le tube rallonge (10) est installé, il faut d'abord retirer la tête de scie.

- ◆ Pour retirer la tête de scie (4), posez le manche (3) au sol, desserrez le collier (14) et sortez la tête de scie.

Utilisation

Avertissement ! Laissez l'outil fonctionner à son propre rythme. Ne le poussez pas au-delà de sa capacité.

Rechargement de la batterie - Figure A

La batterie doit être chargée avant la première utilisation et chaque fois qu'elle semble faible. La batterie peut chauffer pendant la charge. Ceci est un phénomène normal qui ne présente pas un problème.

Avertissement ! Ne chargez pas la batterie si la température ambiante est inférieure à 10 °C ou supérieure à 40 °C. Température de charge recommandée : environ 24 °C.

Remarque : Le chargeur ne chargera pas le bloc-batteries si la température de l'élément est inférieure à environ 10 °C ou supérieure à 40 °C. Le bloc-batteries doit rester dans le chargeur. Le chargeur commence automatiquement la charge quand la température de l'élément se réchauffe ou se refroidit.

- ◆ Pour charger la batterie (11), retirez-la de l'outil et insérez-la dans le chargeur (12). Il n'y a qu'un seul sens d'insertion de la batterie dans le chargeur. Ne forcez pas. Assurez-vous que la batterie est complètement enclenchée dans le chargeur.
- ◆ Branchez le chargeur et mettez-le sous tension.
- ◆ Branchez le chargeur et mettez-le sous tension

La charge est terminée quand le témoin de charge (24) reste allumé vert en fixe. Le chargeur et la batterie peuvent être laissés raccordés en permanence avec le voyant allumé. Le voyant se met à clignoter en vert (charge) si le chargeur détecte qu'il faut compléter la charge de la batterie. Le voyant de charge (24) reste allumé tant que la batterie est raccordée au chargeur branché.

- ◆ Chargez les batteries déchargées dans un délai d'une semaine. La durée de vie de la batterie est considérablement diminuée si elle est stockée déchargée.

Laisser la batterie dans le chargeur

Le chargeur et le bloc-batteries peuvent restés connectés en permanence avec le témoin allumé. Le chargeur maintient le bloc-batteries complètement chargé.

Diagnostics du chargeur

Si le chargeur détecte l'usure ou l'endommagement de la batterie, le voyant de charge (24) clignote rapidement en rouge. Procédez alors comme suit :

- ◆ Réinsérez la batterie (11).
- ◆ Si le voyant de charge continue de clignoter rapidement en rouge, utilisez une autre batterie pour déterminer si le processus de charge fonctionne correctement.
- ◆ Si la batterie de test se recharge correctement, cela indique que la batterie d'origine est défectueuse et qu'elle doit être renvoyée dans un centre d'assistance pour être recyclée.
- ◆ Si la nouvelle batterie signale le même problème, demandez à un centre de réparation agréé de tester le chargeur.

Remarque : La détection de la défaillance de la batterie peut prendre jusqu'à 60 minutes. Si la batterie est trop chaude ou trop froide, le voyant clignote rouge rapidement puis lentement en alternance, un clignotement à chaque vitesse, avant de recommencer.

Mise en marche et extinction (fig. E)

Pour votre sécurité, cet outil est équipé d'un système à double commande. Ce système empêche tout démarrage accidentel.

Mise en marche

- ◆ Poussez le bouton de déverrouillage (2) vers l'arrière avec votre pouce tout en enfonçant l'interrupteur Marche/Arrêt (1) en même temps.
- ◆ Relâchez le bouton de déverrouillage (2).

Extinction

- ◆ Relâchez l'interrupteur Marche/Arrêt (1).

Avertissement ! N'essayez jamais de bloquer l'interrupteur en position marche.

Élagage (fig. F)

- ◆ Assurez-vous que l'outil fonctionne à pleine vitesse avant de procéder à la coupe.
- ◆ Maintenez fermement l'outil afin d'éviter tout effet de rebond ou mouvement latéral. Guidez l'outil à travers les branches en appuyant légèrement. Pour les grosses branches dans lesquelles une entaille partielle pourrait fendre et endommager l'arbre, procédez comme suit :
 - ◆ Faites une première entaille à 15 cm du tronc de l'arbre sous la branche. Utilisez le dessus du guide-chaîne (6) pour réaliser cette entaille.
 - ◆ Entaillez un tiers du diamètre de la branche. Puis, coupez depuis le haut.

Nettoyage, entretien et remisage

Votre appareil/outil sans fil/avec fil BLACK+DECKER a été conçu pour fonctionner longtemps avec un minimum d'entretien. Le fonctionnement continu et satisfaisant de l'outil dépend d'un entretien adéquat et d'un nettoyage régulier.

Avertissement ! Avant toute intervention de maintenance sur des outils électriques avec ou sans fil :

- ◆ Éteignez l'appareil/l'outil et débranchez-le.
- ◆ Ou, éteignez l'appareil/l'outil et retirez en la batterie si celui-ci est muni d'un bloc-batterie séparé.
- ◆ Ou, déchargez complètement la batterie si elle est intégrée, puis éteignez l'appareil.
- ◆ Débranchez le chargeur avant de le nettoyer. Votre chargeur ne nécessite aucun entretien particulier, à l'exception d'un nettoyage régulier.

Nettoyez régulièrement les orifices de ventilation de votre appareil/outil/chargeur à l'aide d'une brosse souple ou d'un chiffon sec.

Nettoyez régulièrement le compartiment du moteur à l'aide d'un chiffon humide. N'utilisez pas de produit abrasif ou à base de solvant.

Ouvrez régulièrement le mandrin et retirez la poussière à l'intérieur en le tapant (si installé).

Après utilisation et avant le rangement

- ◆ Nettoyez régulièrement les orifices de ventilation à l'aide d'une brosse sèche et propre.
- ◆ Pour nettoyer l'outil, utilisez exclusivement du savon doux et un chiffon humide. Évitez toute pénétration de liquide dans l'outil et ne plongez aucune pièce dans du liquide.
- ◆ Retirez les débris avec une brosse dure.
- ◆ Graissez la chaîne avec de l'huile.

Installation et retrait de la chaîne (figure G et H)

Attention ! Portez toujours des gants de protection lors de l'installation ou du retrait de la chaîne. Celle-ci est très affûtée et peut vous couper, même à l'arrêt.

- ◆ Placez l'outil sur une surface stable et ferme.
- ◆ Desserrez les vis (16) à l'aide de la clé Allen fournie. Retirez les vis.
- ◆ Retirez le cache-pignon (5) et la bride de serrage (17).
- ◆ Tournez la vis (18) dans le sens inverse des aiguilles d'une montre pour que le guide-chaîne (6) se rétracte et pour réduire la tension sur la chaîne (7).
- ◆ Retirez la chaîne usée du pignon (19) et le guide-chaîne (6).
- ◆ Placez la nouvelle chaîne dans la rainure du guide-chaîne et autour du pignon. Les dents doivent être correctement orientées en faisant correspondre la flèche sur la chaîne avec la flèche sur le boîtier.
- ◆ La fente (20) dans le guide-chaîne se trouve sur les axes de positionnement (21) et le trou (22) sous la fente audessus de la goupille de réglage (23).
- ◆ Réinstallez le cache-pignon(5)et la bride de serrage (17) et les vis (16).
- ◆ Serrez les vis (16) à l'aide de la clé Allen fournie.
- ◆ Tendez la chaîne comme décrit ci-dessous.

Pour continuer à travailler en toute sécurité, la chaîne et le guide-chaîne ne doivent être remplacés que par des pièces BLACK+DECKER. Chaîne de rechange, numéro de pièce A6158. Guide-chaîne de rechange, numéro de pièce 623381-00.

Contrôle et réglage de la tension de la chaîne (fig. G)

- ◆ Contrôlez la tension de la chaîne. La tension correcte implique que la chaîne (7) revienne automatiquement en place après avoir été tirée de 3 mm du guide-chaîne, à la force du majeur et du pouce. Il ne doit pas y avoir aucun jeu entre le guide-chaîne (6) et la chaîne (7) sur le dessous.

Pour régler la tension :

- ◆ Desserrez les vis (16).
- ◆ Tournez la vis (18) dans le sens inverse des aiguilles d'une montre.

Avertissement ! Veillez à ne pas trop tendre la chaîne car cela entraînerait une usure excessive et réduirait la durée de vie du guide et de la chaîne.

- ◆ Une fois la tension de la chaîne correcte, serrez les vis (18).

Avertissement ! Si la chaîne est neuve, contrôlez fréquemment sa tension pendant les deux premières heures d'utilisation. Une chaîne neuve a tendance à se détendre légèrement.

Lubrification de la chaîne

La chaîne doit être lubrifiée avant chaque utilisation et après son nettoyage avec de l'huile appropriée (cat. N° A6027).

- ◆ Lubrifiez l'ensemble de la chaîne (7) uniformément à l'aide de l'applicateur (9).


Rangement

Lorsque l'outil n'est pas utilisé pendant plusieurs mois, laissez si possible la batterie connectée au chargeur.

Sinon, procédez comme suit :

- ◆ Chargez complètement la batterie.
- ◆ Retirez la batterie de l'outil.
- ◆ Rangez l'outil et la batterie en lieu sûr et à l'abri de l'humidité.
- ◆ La température de stockage doit toujours être comprise entre + 10 °C et + 40 °C. Placez la batterie sur une surface de niveau.
- ◆ Après une période d'inactivité, rechargez complètement la batterie avant d'utiliser l'outil.

Protection de l'environnement

-  Tri sélectif. Les produits et batteries marqués de ce symbole ne doivent pas être jetés avec les déchets ménagers.

Les produits et batteries contiennent des matières qui peuvent être récupérées et recyclées afin de réduire la demande en matières premières.

Veillez à recycler les produits électriques et les piles et batteries conformément aux dispositions locales en vigueur. Pour plus d'informations, consultez le site www.2helpU.com

Caractéristiques techniques

PS1820ST1, PS1820L1 H2		
Tension	V _{DC}	18
Vitesse de la chaîne (sans charge)	m/s	190
Longueur maximum de coupe	cm	17
Poids	kg	3,5
Batterie BL2518		
Tension	V _{DC}	18
Capacité	Ah	2,5
Type		Li-Ion
Chargeur 906068**		
Tension d'entrée	V _{AC}	230
Tension de sortie	Ah	18
Courant de sortie	mA	2000

Sound pressure level measured according to EN 60745:

LpA (pression sonore) 78 dB(A), incertitude (K) 3 dB(A)
LwA (puissance sonore) 98 dB(A), incertitude (K) 3 dB(A)

Vibration total values (triax vector sum) according to EN 60745:

Coupe, conifère fraîchement abattu ($a_{h,w}$) <2,5 m/s²,
incertitude (K) = 1,5 m/s²

**Déclaration de conformité CE
DIRECTIVES MACHINES**

PS1820ST1, PS1820L1 – perche d'élagage

Black & Decker déclare que les produits décrits dans les "Caractéristiques techniques" sont conformes aux normes :

EN 60745-1:2009 +A11:2010, EN ISO 11680-1:2011

Ces produits sont également conformes aux Directives 2006/42/CE, 2014/30/UE et 2011/65/UE.

Pour plus de détails, veuillez contacter Black & Decker à l'adresse suivante ou consultez la dernière page du manuel.

Le soussigné est responsable de la compilation des données de la fiche technique et fait cette déclaration au nom de Black & Decker.



A. Smith
Directeur Ingénierie Black & Decker Europe,
210 Bath Road, Slough,
Berkshire, SL1 3YD
Royaume Uni
15/01/2019

Usò previsto

La potatrice ad asta cordless BLACK+DECKER™ PS1820ST1, PS1820L1 è stata progettata per la potatura degli alberi. Questo apparecchio è previsto solo per l'uso da parte del consumatore.

L'alimentatore BLACK+DECKER è stato progettato per caricare le batterie BLACK+DECKER fornite con questo elettrotensile.

Istruzioni di sicurezza

Avvertenze di sicurezza generali per gli elettrotensili



Avvertenza! Leggere attentamente tutte le avvertenze e le istruzioni di sicurezza. La mancata osservanza delle avvertenze e istruzioni elencate di seguito potrebbe dar luogo a scosse elettriche, incendi e/o infortuni gravi.

Conservare tutte le avvertenze e le istruzioni per consultazioni successive. Il termine "elettrotensile" che ricorre in tutte le avvertenze seguenti si riferisce a utensili elettrici alimentati attraverso la rete elettrica (con filo) o a batteria (senza filo).

1. Sicurezza nell'area di lavoro

- Mantenere pulita e bene illuminata l'area di lavoro.** Gli ambienti disordinati o scarsamente illuminati favoriscono gli incidenti.
- Evitare di usare gli elettrotensili in ambienti esposti a rischio di esplosione, ad esempio in presenza di liquidi, gas o polveri infiammabili.** Gli elettrotensili generano scintille che possono incendiare le polveri o i fumi.
- Tenere lontani bambini e altre persone presenti mentre si usa un elettrotensile.** Eventuali distrazioni possono provocare la perdita di controllo dello stesso.

2. Sicurezza elettrica

- Le spine elettriche degli elettrotensili devono essere adatte alla presa. Non modificare la spina in alcun modo. Non utilizzare spine con adattatore con gli elettrotensili dotati di messa a terra.** Per ridurre il rischio di scossa elettrica evitare di modificare le spine e utilizzare sempre le prese di corrente appropriate.
- Evitare il contatto fisico con superfici collegate a terra, come tubi, radiatori, forni e frigoriferi.** Se il corpo dell'utilizzatore è collegato a terra, il rischio di scossa elettrica aumenta.
- Non esporre gli elettrotensili alla pioggia o all'umidità.** Se penetra dell'acqua all'interno dell'elettrotensile, il rischio di scosse elettriche aumenta.

Garantie

Black & Decker est sûr de la qualité de ses produits et offre une garantie de 24 mois aux utilisateurs, à partir de la date d'achat. Cette garantie s'ajoute à vos droits légaux auxquels elle ne porte aucunement préjudice. Cette garantie est valable au sein des territoires des États membres de l'Union Européenne et au sein de la Zone européenne de libre-échange.

Pour prétendre à la garantie, la réclamation doit être conforme aux conditions générales de Black & Decker et vous devez fournir une preuve d'achat au vendeur ou au réparateur agréé. Les conditions générales de la garantie de 2 ans Black & Decker ainsi que l'adresse du réparateur agréé le plus proche sont disponibles sur le site Internet www.2helpU.com ou en contactant votre agence Black & Decker locale à l'adresse indiquée dans ce manuel.

Veuillez consulter notre site Internet www.blackanddecker.co.uk pour enregistrer votre nouveau produit Black & Decker et pour être tenu informé des nouveaux produits et offres spéciales.

- d. **Non utilizzare il cavo di alimentazione in modo improprio. Non spostare, tirare o scollegare mai l'elettrotensile tirandolo dal cavo. Tenere il cavo di alimentazione lontano da fonti di calore, olio, bordi taglienti o parti in movimento.** Se il cavo di alimentazione è danneggiato o impigliato, il rischio di scossa elettrica aumenta.
- e. **Se l'elettrotensile viene utilizzato all'aperto, usare esclusivamente prolunghe omologate per l'impiego all'esterno.** L'uso di un cavo di alimentazione adatto per esterni riduce il rischio di scossa elettrica.
- f. **Se non è possibile evitare di lavorare in una zona umida, usare una rete elettrica protetta da un interruttore differenziale (RCD).**
L'uso di un interruttore differenziale riduce il rischio di scossa elettrica.
3. **Sicurezza delle persone**
- a. **È importante concentrarsi su ciò che si sta facendo e maneggiare con giudizio l'elettrotensile. Non utilizzare un elettrotensile quando si è stanchi o sotto l'effetto di droghe, alcool o medicinali.** Un solo attimo di distrazione durante l'uso dell'elettrotensile potrebbe provocare gravi lesioni personali.
- b. **Usare dispositivi di protezione individuale. Indossare sempre dispositivi di sicurezza per gli occhi.** L'uso di dispositivi di protezione, quali mascherine antipolvere, scarpe antinfortunistiche antiscivolo, elmetti o protezioni auricolari in condizioni opportune consente di ridurre le lesioni personali.
- c. **Impedire l'avviamento involontario. Accertarsi che l'interruttore di accensione sia in posizione "off" (spento), prima di collegare l'elettrotensile alla rete elettrica e/o alla batteria, di prenderlo in mano o di trasportarlo.** Per non esporsi al rischio di incidenti, non trasportare l'elettrotensile tenendo le dita sull'interruttore e non collegarlo a una fonte di alimentazione elettrica con l'interruttore acceso.
- d. **Prima di accendere un elettrotensile, togliere eventuali utensili o chiavi di regolazione.** Un utensile di regolazione o una chiave inserito/a su una parte rotante dell'elettrotensile può provocare lesioni a persone.
- e. **Non sbilanciarsi. Mantenere sempre un appoggio e un equilibrio adeguati.** In tal modo è possibile mantenere un migliore controllo dell'elettrotensile nelle situazioni impreviste.
- f. **Vestirsi adeguatamente. Non indossare abiti lenti o gioielli. Tenere i capelli, i vestiti e i guanti lontano dalle parti mobili.** Abiti larghi, gioielli o capelli lunghi possono impigliarsi nelle parti in movimento.
- g. **Se gli elettrotensili sono provvisti di attacchi per il collegamento di dispositivi di aspirazione o di raccolta della polvere, assicurarsi che questi siano installati e utilizzati correttamente.** L'impiego di dispositivi per la raccolta delle polveri può ridurre i pericoli legati a queste ultime.
- h. **Non lasciare che la familiarità acquisita dall'uso frequente degli utensili induca a cedere alla tentazione di ignorare i principi di utilizzo sicuro degli stessi.** Un'azione imprudente potrebbe provocare lesioni gravi in una frazione di secondo.
4. **Uso e cura dell'elettrotensile**
- a. **Non sovraccaricare l'elettrotensile. Utilizzare l'elettrotensile adatto per il lavoro da eseguire.** L'elettrotensile corretto funziona meglio e in modo più sicuro, se utilizzato alla velocità per cui è stato progettato.
- b. **Non utilizzare l'elettrotensile se l'interruttore di accensione/spengimento è difettoso.** Qualsiasi elettrotensile che non possa essere controllato tramite l'interruttore è pericoloso e deve essere riparato.
- c. **Scollegare la spina dalla presa di corrente e/o la batteria dall'elettrotensile prima di regolarlo, sostituirne gli accessori o riporlo in magazzino.** Queste misure di sicurezza preventive riducono il rischio di azionare l'elettrotensile accidentalmente.
- d. **Quando non vengono usati, gli elettrotensili devono essere custoditi fuori dalla portata dei bambini. Non consentire l'uso dell'elettrotensile a persone inesperte o che non abbiano letto le presenti istruzioni d'uso.** Gli elettrotensili sono pericolosi in mano a persone inesperte.
- e. **Sottoporre gli elettrotensili a regolare manutenzione. Verificare che le parti mobili siano correttamente allineate e non inceppate, che non vi siano componenti rotti e che non sussistano altre condizioni che possono compromettere il funzionamento dell'elettrotensile. Se danneggiato, far riparare l'elettrotensile prima dell'uso.** Molti incidenti sono provocati da elettrotensili non sottoposti a corretta manutenzione.
- f. **Mantenere affilati e puliti gli utensili da taglio.** La manutenzione corretta degli utensili da taglio con bordi affilati riduce le probabilità di inceppamento e ne facilita il controllo.
- g. **Utilizzare l'elettrotensile, gli accessori, le punte, ecc. in conformità alle presenti istruzioni, tenendo conto delle condizioni operative e del lavoro da eseguire.** L'utilizzo dell'elettrotensile per impieghi diversi da quelli previsti può dare luogo a situazioni di pericolo.
- h. **Mantenere le impugnature e le superfici di presa asciutte, pulite e senza tracce di olio o grasso.** Impugnature e superfici di presa scivolose non consentono di maneggiare e controllare in modo sicuro l'utensile nel caso di imprevisti.

5. **Uso e cura degli elettroutensili a batteria**
 - a. **Ricaricare la batteria utilizzando esclusivamente il caricabatterie l'alimentatore specificato dal fabbricante.** Un caricabatterie adatto per un solo tipo di batteria può comportare il rischio d'incendio se usato con una batteria diversa.
 - b. **Usare gli elettroutensili esclusivamente con i pacchi batteria specificamente progettati per gli stessi.** L'impiego di batterie di tipo diverso potrebbe provocare il rischio di lesioni a persone e incendi.
 - c. **Quando il pacco batteria non è in uso, tenerlo lontano da altri oggetti metallici, come graffette, monete, chiavi, chiodi, viti o altri oggetti metallici di piccole dimensioni, che potrebbero cortocircuitare un morsetto con l'altro.** Se i morsetti della batteria vengono cortocircuitati potrebbero provocare ustioni o un incendio.
 - d. **In condizioni di sovraccarico, dai pacchi batteria potrebbe fuoriuscire del liquido: evitare di toccarlo. In caso di contatto accidentale, risciacquare la pelle con acqua. Se il liquido entra a contatto con gli occhi, consultare un medico.** Il liquido che fuoriesce dalla batteria può causare irritazioni o ustioni.
 - e. **Non utilizzare una batteria o un utensile danneggiati o modificati.** Le batterie danneggiate o modificate potrebbero manifestare un comportamento imprevedibile con la possibilità di causare un'esplosione o un incendio.
 - f. **Non esporre una batteria o un utensile al fuoco o a temperature eccessivamente elevate.** L'esposizione al fuoco o a una temperatura superiore a 130°C potrebbe provocare un'esplosione.
 - g. **Seguire tutte le istruzioni per la carica e non caricare la batteria o l'elettroutensile a una temperatura che non rientri nell'intervallo di valori specificato nelle istruzioni.** Una ricarica effettuata in maniera scorretta o a una temperatura che non rientra nell'intervallo di valori specificato, potrebbe danneggiare la batteria aumentando il rischio d'incendi.
6. **Assistenza**
 - a. **Fare riparare l'elettroutensile esclusivamente da personale specializzato e solo utilizzando pezzi di ricambio originali.** In questo modo sarà possibile mantenere la sicurezza dell'elettroutensile.
 - b. **Non riparare le batterie danneggiate.** Gli interventi di riparazione sulle batterie devono essere eseguiti dal costruttore o da fornitori di assistenza autorizzati.

- ◆ **Mantenere ogni parte del corpo lontana dalla motosega durante l'impiego.** Prima di accendere la motosega, assicurarsi che la catena non sia a contatto con alcun oggetto. Un attimo di distrazione durante l'impiego della motosega può far impigliare l'abbigliamento o parti del corpo nella motosega stessa.
- ◆ **Tenere sempre la motosega con la mano destra sull'impugnatura posteriore e quella sinistra sull'impugnatura anteriore.** Tenere la motosega con le mani nella posizione contraria rispetto a quanto consigliato aumenta il rischio di lesioni personali: non bisogna mai farlo.
- ◆ **Afferrare l'elettroutensile solo dall'impugnatura provvista di materiale isolante, dato che la motosega potrebbe venire a contatto con cavi nascosti.** Il contatto tra la catena della motosega e un filo sotto tensione mette sotto tensione anche le parti metalliche esposte dell'elettroutensile, con il rischio di scosse elettriche per l'operatore.
- ◆ **Indossare occhiali di sicurezza e otoprotezioni. Si consiglia inoltre un equipaggiamento protettivo per testa, mani, gambe e piedi.** Un abbigliamento protettivo idoneo riduce il rischio di lesioni personali causate dal distacco di rami o dal contatto accidentale con la motosega.
- ◆ **Non utilizzare la motosega su di un albero.** L'utilizzo della motosega quando ci si trova su un albero può causare lesioni personali.
- ◆ **Mantenere sempre un buon equilibrio e utilizzare la motosega solo quando ci si trova su di una superficie fissa, sicura e piana.** Superfici sdruciolevoli o poco stabili tipo le scale, possono causare la perdita di equilibrio o del controllo della motosega.
- ◆ **Se si taglia un ramo sotto tensione, prestare attenzione all'effetto "molla".** Quando la tensione nelle fibre del legno viene rilasciata, il ramo, caricato come una molla, può colpire l'operatore e/o fargli perdere il controllo della motosega.
- ◆ **Prestare la massima attenzione quando si tagliano cespugli e giovani pertiche.** Il materiale sottile potrebbe incepparsi nella motosega e schizzare verso l'operatore oppure fargli perdere l'equilibrio.
- ◆ **Trasportare la motosega spenta e tenuta lontana del corpo afferrandola dall'impugnatura anteriore. Durante il trasporto o quando si ripone la motosega, montare sempre il copribarra.** Il corretto maneggio della motosega riduce la probabilità di contatto accidentale con la catena in movimento della motosega.
- ◆ **Seguire le istruzioni relative alla lubrificazione, al tensionamento della catena e alla sostituzione degli accessori.** Delle catene tese o lubrificate in modo errato possono o rompersi o aumentare la probabilità di contraccolpi.

Altri avvisi di sicurezza per gli elettroutensili



Avvertenza! Altre precauzioni di sicurezza per i potatori telescopici.

- ◆ **Mantenere le impugnature pulite e prive di tracce di olio o grassi.** La presenza di olio o grasso sulle impugnature può renderle scivolose e causare la perdita di controllo dell'elettrotensile.
- ◆ **Tagliare solo il legno. Non usare la motosega per lavori diversi da quelli previsti.** Non utilizzare la motosega per tagliare plastica, murature o materiali da costruzione diversi dal legno. L'impiego della motosega per usi diversi da quelli previsti può dar luogo a situazioni di pericolo.

Cause e prevenzione dei contraccolpi per l'utilizzatore

I contraccolpi possono verificarsi quando la punta della barra di guida tocca un oggetto o quando il legno tagliato si richiude e incastra la catena della motosega nel taglio.

A volte il contatto con la punta può causare una reazione inversa improvvisa, spingendo la barra di guida verso l'alto e indietro verso l'operatore. Se la catena della motosega rimane incastrata lungo la parte superiore della barra di guida è possibile che la barra venga spinta indietro velocemente contro l'operatore. Entrambe queste reazioni possono causare la perdita di controllo della motosega con la probabilità di pericolose lesioni personali. Non fare affidamento esclusivamente sui dispositivi di sicurezza incorporati nella motosega. Ricade sull'operatore della motosega la responsabilità di eseguire dei lavori di taglio che non causino incidenti o lesioni.

Un contraccolpo è la conseguenza di un utilizzo non appropriato e/o non corretto dell'elettrotensile. Esso può essere evitato soltanto adottando le misure di sicurezza idonee come descritto di seguito.

- ◆ **Tenere saldamente la motosega afferrando le impugnature con i pollici e le altre dita. Afferrando la motosega con entrambe le mani, posizionare il corpo e il braccio in modo da far fronte ad eventuali contraccolpi.** L'operatore è in grado di resistere alla forza esercitata da eventuali contraccolpi se adotta le precauzioni del caso. Non lasciare andare la motosega.
- ◆ **Non sbilanciarsi e non tagliare oltre l'altezza della spalla.** In questo modo si evita il contatto involontario con la punta e si mantiene un migliore controllo della motosega in situazioni impreviste.
- ◆ **Utilizzare solamente le barre di guida e le catene di ricambio indicate dal produttore.** L'uso di barre di guida e catene non idonee può causare la rottura della catena e/o contraccolpi.
- ◆ **Rispettare le istruzioni di affilatura e di manutenzione della catena della motosega fornite dal produttore.** La diminuzione dell'altezza del calibro di profondità aumenta la possibilità di contraccolpi.
- ◆ **Il contatto con metallo, cemento o altri materiali duri che si trovano in prossimità del legno o al suo interno**

possono causare un contraccolpo.

- ◆ **Una catena smussata o allentata può causare un contraccolpo.**
- ◆ **Non tentare di inserire la catena in un taglio precedente, perché potrebbe verificarsi un contraccolpo.** Praticare un nuovo taglio ogni volta.
- ◆ **Consigliamo vivamente a chi usa una motosega per la prima volta di chiedere consigli pratici a un esperto nell'uso della motosega e dei dispositivi di protezione.** Fare pratica segando ceppi su un cavalletto o un'intelaiatura di sostegno.
- ◆ **Durante il trasporto della motosega consigliamo di rimuovere la batteria e di tenere la catena rivolta all'indietro.**
- ◆ **Quando non viene adoperata, la motosega deve essere sottoposta alla necessaria manutenzione. Non riporre mai la motosega senza averne rimosso la catena e la barra di guida che devono essere conservate in un bagno d'olio.** Tutti i componenti della motosega devono essere riposti in luogo sicuro e asciutto, fuori dalla portata dei bambini.
- ◆ **Consigliamo di scaricare l'olio in un apposito serbatoio prima di riporre l'elettrotensile.**
- ◆ **Prima di abbattere dei rami o un albero, accertarsi di avere una posizione stabile e che esista una via di fuga per sfuggire ai rami o all'albero in caduta.**
- ◆ **Fare uso di cunei per controllare la direzione di caduta ed evitare che la catena e la barra di guida si blocchino nel taglio.**
- ◆ **Sottoporre la motosega a regolare manutenzione. La catena deve essere sempre affilata e bene aderente alla barra di guida. Verificare che catena e barra di guida siano pulite e perfettamente lubrificate.** Mantenere le maniglie asciutte, pulite e prive di olio o grasso.
- ◆ **Assicurarsi che nelle vicinanze (ma a distanza di sicurezza), sia sempre disponibile qualcuno che possa intervenire in caso di incidente.**
- ◆ **Se, per qualsiasi motivo, è necessario toccare la catena, accertare che la motosega non sia collegata alla batteria.**
- ◆ **La rumorosità della motosega può superare 85 dB(A).** Si suggerisce, quindi, di adottare le misure del caso per proteggere l'udito.
- ◆ **Durante l'impiego della motosega, la catena potrebbe riscaldarsi.** Manipolarla con attenzione.
- ◆ **Tenere i cavi di prolunga lontano dagli elementi da taglio.**

Sicurezza altrui

- ◆ Questo apparato può essere usato da bambini dagli 8 anni in su e da persone con ridotte capacità fisiche, psichiche o sensoriali o che non ne abbiano esperienza o conoscenza, purché supervisionate o opportunamente

istruite all'uso sicuro dell'apparecchio e ne comprendano i pericoli derivanti.

- ◆ I bambini non devono giocare con l'elettrodomestico. Gli interventi di pulizia e di manutenzione da parte dell'utente non devono essere eseguiti da bambini senza supervisione.

Rischi residui

L'utilizzo dell'elettrotensile può comportare rischi residui non necessariamente riportati nelle presenti avvertenze di sicurezza. Tali rischi possono sorgere a seguito di un uso prolungato o improprio, ecc.

Malgrado il rispetto delle norme di sicurezza pertinenti e l'implementazione di dispositivi di sicurezza, alcuni rischi residui non possono essere evitati. Sono inclusi:

- ◆ lesioni causate o subite a seguito del contatto con parti rotanti/in movimento;
- ◆ lesioni causate o subite durante la sostituzione di parti, lame o accessori;
- ◆ lesioni causate dall'impiego prolungato di un elettrotensile; (quando si utilizza qualsiasi utensile per lunghi periodi, accertarsi di fare regolarmente delle pause);
- ◆ menomazioni uditive;
- ◆ rischi per la salute causati dall'aspirazione di polveri generate durante l'uso dell'elettrotensile (ad esempio quando si lavora con il legno, in modo particolare quello di quercia, faggio o l'MDF).

Vibrazioni

I valori delle emissioni di vibrazioni dichiarati, indicati al paragrafo Dati tecnici e nella Dichiarazione di conformità del presente manuale, sono stati misurati in base al metodo di prova standard previsto dalla normativa EN 60745 e possono essere usati come parametri di confronto tra due utensili. Il valore delle emissioni di vibrazioni dichiarato può anche essere usato come valutazione preliminare dell'esposizione.

Avvertenza! Il valore delle emissioni di vibrazioni durante l'impiego effettivo dell'elettrotensile può variare da quello dichiarato a seconda delle modalità d'uso. Il livello delle vibrazioni può aumentare oltre quello dichiarato.

Quando si valuta l'esposizione alle vibrazioni per determinare le misure di sicurezza richieste dalla normativa 2002/44/CE destinata alla protezione delle persone che utilizzano regolarmente elettrotensili per lo svolgimento delle proprie mansioni, è necessario prendere in considerazione le condizioni effettive di utilizzo e il modo in cui l'elettrotensile viene usato, oltre che tenere conto di tutte le componenti del ciclo operativo, vale a dire i periodi in cui l'elettrotensile rimane spento, quelli in cui è acceso ma fermo e quelli in cui viene effettivamente utilizzato.

Potatura

Prima di iniziare la potatura di un albero, assicurarsi che le leggi e i regolamenti non proibiscano o controllino l'abbattimento di un albero.

- ◆ Essere consapevoli della direzione in cui un ramo può cadere. Tenere conto di tutto ciò che può influire sulla direzione di caduta, tra cui:
 - ◆ la lunghezza e il peso del ramo da tagliare
 - ◆ la direzione di caduta desiderata
 - ◆ l'eventuale peso insolito del ramo e la possibilità che questo sia secco o marcio
 - ◆ la presenza, nei dintorni, di alberi e ostacoli,
 - ◆ comprese le linee elettriche aeree
 - ◆ l'intreccio con altri rami
 - ◆ la velocità e direzione del vento.
 - ◆ Valutare come raggiungere il ramo principale.

È probabile che i rami oscillino verso il tronco. Oltre a chi sta usando il potatore, anche eventuali osservatori, edifici o oggetti che si trovano al di sotto rischiano di essere colpiti dal ramo.

Etichette sull'elettrotensile

Sull'elettrotensile sono presenti i seguenti simboli assieme al codice data:



Avvertenza! Per ridurre il rischio di infortuni, l'utente deve leggere il manuale d'istruzione.



Non esporre l'elettrotensile alla pioggia o a un'umidità intensa.



Fare attenzione alla caduta di oggetti. Mantenere a distanza gli eventuali osservatori.



Pericolo di elettrocuzione. Tenersi ad almeno 10 m dalle linee elettriche aeree.



Indossare sempre un casco e occhiali di sicurezza.



Mantenere distanti eventuali osservatori.



Per garantire sempre un funzionamento sicuro, controllare la tensione della catena come descritto nel presente manuale dopo ogni 10 minuti di utilizzo e regolarla di nuovo su di un gioco di 3 mm quando richiesto. Lubrificare la catena ogni 10 minuti di utilizzo.



Direzione di rotazione della catena.



Avvertenza! Non toccare la catena in prossimità del punto di espulsione dei trucioli.

Istruzioni di sicurezza aggiuntive per batterie e caricabatterie

Batterie

- ◆ Non tentare mai di aprire la batteria per alcun motivo.
- ◆ Non lasciare che la batteria si bagni.
- ◆ Non conservare la batteria in luoghi dove la temperatura potrebbe superare 40 °C.
- ◆ Caricare la batteria solo in ambienti con temperature comprese tra 10°C e 40°C.
- ◆ Caricare la batteria utilizzando esclusivamente il caricabatterie fornito con l'elettrotensile.
- ◆ Quando si smaltiscono le batterie, seguire le istruzioni riportate al capitolo "Protezione dell'ambiente".
- ◆ Non danneggiare/deformare il pacco batteria forandolo o colpendolo, per evitare il rischio di lesioni o di incendio.
- ◆ Non caricare il pacco batteria se danneggiato.
- ◆ In condizioni estreme, si potrebbe verificare la perdita di liquido dal pacco batteria. Se si nota la presenza di liquido sul pacco batteria, pulirla con attenzione con uno straccio. Evitare il contatto con la pelle.
- ◆ In caso di contatto con la pelle o gli occhi, seguire le istruzioni riportate di seguito.

Avvertenza! Il liquido delle batterie può causare lesioni a persone o danni alle cose. In caso di contatto con la pelle, risciacquare immediatamente con acqua. In caso di rossore, dolore o irritazione, rivolgersi immediatamente a un medico. In caso di contatto con gli occhi, risciacquarli immediatamente con acqua pulita e consultare un medico.

Caricabatterie

Il caricabatterie è stato progettato per una tensione specifica. Verificare sempre che la tensione di rete corrisponda alla tensione riportata nella targhetta dei valori nominali.

- ◆ Usare l'alimentatore BLACK+DECKER solo per caricare la batteria nell'apparecchio con il quale è stato fornito. Altre batterie potrebbero scoppiare causando lesioni alle persone e danni alle cose.
- ◆ Non tentare mai di caricare batterie non ricaricabili.
- ◆ Fare sostituire immediatamente i fili di alimentazione difettosi.
- ◆ Non lasciare che il caricabatterie si bagni.
- ◆ Non aprire il caricabatterie.
- ◆ Non collegare il caricabatterie a sonde.
- ◆ Il caricabatterie deve essere lasciato in una zona ben ventilata durante la carica.

Simboli sul caricabatterie

Sul caricabatterie sono presenti i seguenti simboli:



Il caricabatterie è destinato all'uso in ambienti chiusi.



Leggere il presente manuale d'uso prima dell'impiego.

Sicurezza elettrica



Il doppio isolamento di cui è provvisto il caricabatterie rende superfluo il filo di terra. Controllare sempre che la tensione di rete corrisponda a quella indicata sulla targhetta dei valori nominali. Non tentare mai di sostituire il caricabatterie con una spina elettrica tradizionale.

- ◆ In caso di danneggiamento del cavo di alimentazione, è necessario farlo riparare dal fabbricante o presso un centro assistenza BLACK+DECKER autorizzato in modo da evitare pericoli.

Caratteristiche

Questo elettrotensile presenta alcune o tutte le seguenti caratteristiche.

1. Interruttore di accensione
2. Pulsante di sbloccaggio
3. Impugnatura principale
4. Testa sega
5. Copri rocchetto
6. Barra di guida
7. Catena
8. Guaina catena
9. Flacone per lubrificazione
10. Tubo rigido di prolunga
11. Batteria

Fig. A

12. Alimentatore

Assemblaggio

Avvertenza! Prima dell'assemblaggio, estrarre il pacco batteria dall'elettrotensile.

Montaggio e rimozione del pacco batteria (Fig. B)

- ◆ Per montare il pacco batteria (11), allinearli all'apposito vano sull'elettrotensile. Infilare il pacco batteria nell'apposito vano e premerlo fino a quando si aggancia in sede.
- ◆ Per rimuovere il pacco batteria, premere il pulsante di rilascio (13) estraendo al tempo stesso il pacco batteria dall'apposito vano.

Avvertenza! Per evitare l'azionamento involontario, accertarsi di aver estratto il pacco batteria e di aver montato la guaina sulla catena prima di eseguire gli interventi descritti di seguito. In caso contrario si potrebbero subire o causare lesioni gravi.

Montaggio della testa della sega (fig. C)

La testa della sega può essere montata direttamente

sull'impugnatura per ottenere il normale campo di azione.

- ◆ Allineare la scanalatura sull'esterno del lato di accoppiamento dell'impugnatura (3) alla linguetta sull'interno del lato di accoppiamento della testa della sega (4). Calzare la testa della sega (4) sull'impugnatura (3).
- ◆ Far scorrere verso il basso il collare (14) e ruotarlo in senso orario fino a serrarlo completamente.

Avvertenza! Controllare periodicamente i collegamenti per verificare che siano sempre ben serrati.

Estensione della testa della sega (fig. D)

È possibile ottenere il campo di azione massimo montando il tubo di prolunga (10) tra la testa della sega (4) e l'impugnatura (3).

- ◆ Allineare la scanalatura sull'esterno del lato di accoppiamento dell'impugnatura (3) alla linguetta sull'interno del lato di accoppiamento del tubo di prolunga (10).
- ◆ Calzare il tubo di prolunga (10) sull'impugnatura (3).
- ◆ Calzare il tubo di prolunga (10) sull'impugnatura (3).
- ◆ Allineare la scanalatura sull'esterno del lato di accoppiamento del tubo di prolunga (10) alla linguetta sull'interno del lato di accoppiamento della testa della sega (4).
- ◆ Calzare la testa della sega (4) sul tubo di prolunga (10).
- ◆ Far scorrere verso il basso il collare (14) e ruotarlo in senso orario fino a serrarlo completamente.

Avvertenza! Controllare periodicamente i collegamenti per verificare che siano sempre ben serrati.

Smontaggio della testa della sega (figg. C e D)

Se il tubo di prolunga (10) è montato, è necessario togliere per prima cosa la testa della sega.

- ◆ Per smontare la testa della sega (4), appoggiare a terra l'impugnatura (3), allentare il collare (14) e staccare la testa della sega.

Utilizzo

Avvertenza! Lasciare che l'elettrotensile funzioni al suo ritmo. Non sovraccaricarlo.

Carica del pacco batteria - Figura A

La batteria deve essere caricata prima dell'impiego iniziale e quando non eroga una potenza sufficiente per lavori che prima era possibile eseguire facilmente. Durante la carica la batteria potrebbe riscaldarsi. Si tratta di un fatto normale che non indica che vi è un problema.

Avvertenza! Non caricare la batteria a temperature ambiente inferiori a 10 °C o superiori a 40 °C. Temperatura di carica consigliata: 24 °C circa.

Nota: L'alimentatore non carica un battery pack se la temperatura della cella è inferiore a 10 °C o superiore a 40 °C. Il battery pack deve essere lasciato nell'alimentatore che incomincerà a caricare

automaticamente quando la temperatura della cella aumenta o diminuisce.

- ◆ Per ricaricare il pacco batteria (11), estrarlo dall'elettrotensile e inserirlo nel caricabatterie (12). Il pacco batteria può essere inserito nel caricabatterie solo in un verso. Non forzare. Accertarsi che il pacco batteria sia completamente inserito nel caricabatterie.
- ◆ Collegare il caricabatterie alla presa di corrente.
- ◆ L'indicatore di carica (24) inizia a lampeggiare di verde in modo continuo (lentamente).

La carica è completa quando l'indicatore di carica (24) smette di lampeggiare e rimane illuminato di verde fisso. Il caricabatterie e il pacco batteria possono essere lasciati collegati con il LED illuminato per un tempo indefinito. Il LED passa al lampeggio verde (carica in corso) quando l'alimentatore di tanto in tanto rabbocca la carica del pacco batteria. L'indicatore di carica (24) si accende se il pacco batteria è inserito nel caricabatterie collegato a una presa elettrica.

- ◆ Caricare i pacchi batteria scarichi entro 1 settimana. La durata dei pacchi batteria diminuisce parecchio se sono conservati scarichi.

Pacco batteria lasciato nel caricabatterie

Pacco batteria lasciato nel caricabatterie. Il caricabatterie e il pacco batteria possono essere lasciati collegati con il LED illuminato per un tempo indefinito. Il caricabatterie mantiene il pacco batteria fresco e completamente carico.

Diagnostica del caricabatterie

Se il caricabatterie rileva che il pacco batteria non è abbastanza carico o danneggiato, l'indicatore di carica (24) si illumina di rosso e inizia a lampeggiare rapidamente. Procedere come descritto di seguito.

- ◆ Inserire di nuovo il pacco batteria (11).
- ◆ Se l'indicatore di carica continua a lampeggiare di rosso rapidamente, usare un pacco batteria diverso per verificare se il ciclo di carica funziona correttamente.
- ◆ Se il pacco batteria di ricambio si carica correttamente, significa che quello originale è difettoso e deve essere portato presso un centro di assistenza per essere riciclato.
- ◆ Se anche con il nuovo pacco batteria l'indicatore di carica si comporta allo stesso modo, portare il caricabatterie presso un centro di assistenza autorizzato.

Nota: per determinare se il pacco batteria è difettoso possono essere necessari anche 60 minuti. Se il pacco batteria è troppo caldo o troppo freddo, il LED lampeggia di rosso in modo alterno veloce e lento, un lampeggio a ciascuna velocità, ripetuti nel tempo.

Accensione e spegnimento (Fig. E)

Questo elettrotensile è dotato di un sistema a doppio interruttore per la sicurezza dell'operatore. Tale sistema impedisce l'avviamento indesiderato dell'elettrotensile.

Accensione

- ◆ Spingere indietro il pulsante di sicurezza (2) con il pollice premendo contemporaneamente l'interruttore di accensione (1).
- ◆ Rilasciare il pulsante di sicurezza (2).

Spegnimento

- ◆ Rilasciare l'interruttore di accensione (1).

Attenzione! Non tentare mai di bloccare un interruttore in posizione "on" (acceso).

Potatura (Fig. F)

- ◆ Assicurarsi che l'elettrotensile funzioni alla massima velocità prima di iniziare un taglio.
- ◆ Mantenere saldamente in posizione l'elettrotensile evitando possibili rimbalzi o movimenti laterali. Guidare l'elettrotensile attraverso il ramo esercitando una leggera pressione. Quando si tagliano rami pesanti, dove un taglio parziale potrebbe scheggiare e danneggiare l'albero, procedere come descritto di seguito.
- ◆ Praticare il primo taglio a 15 cm dal tronco dell'albero sulla parte inferiore del ramo principale. Usare la parte superiore della barra di guida (6) per praticare questo taglio.
- ◆ Tagliare un terzo del diametro del ramo principale. Quindi tagliare dall'alto verso il basso.

Pulitura, manutenzione e conservazione

Questo apparecchio/elettrotensile BLACK+DECKER con o senza filo è stato progettato per funzionare a lungo con una manutenzione minima.

Per ottenere prestazioni sempre soddisfacenti occorre avere cura dell'elettrotensile e sottoporlo a pulizia periodica.

Avvertenza! Prima di eseguire interventi di manutenzione su elettrotensili con o senza filo procedere come descritto di seguito.

- ◆ Spegner e scollegare l'apparecchio/elettrotensile
- ◆ Oppure spegnere ed estrarre la batteria se l'apparecchio/elettrotensile è dotato di battery pack a parte
- ◆ O scaricare completamente la batteria se è di tipo integrale e quindi spegnere l'elettrotensile
- ◆ Scollegare l'alimentatore prima di pulirlo. L'alimentatore non richiede nessuna manutenzione salvo una regolare pulizia.

Pulire regolarmente le prese di ventilazione dell'apparecchio/elettrotensile/alimentatore con un pennello o con un panno morbido e asciutto.

Il vano del motore deve essere pulito regolarmente con un panno umido. Non usare materiali abrasivi o detergenti a base di solventi.

Aprire regolarmente il mandrino e batterlo leggermente per eliminare la polvere dall'interno (se in dotazione).

Dopo l'impiego e prima di riporre l'elettrotensile

- ◆ Pulire regolarmente le feritoie di ventilazione con un pennello pulito e asciutto.
- ◆ Per pulire l'elettrotensile, utilizzare solamente sapone neutro e un panno umido. Evitare la penetrazione di liquidi all'interno dell'elettrotensile e non immergere mai nessuna parte dello stesso in un liquido.
- ◆ Eliminare i trucioli con una spazzola rigida.
- ◆ Lubrificare la catena con olio.

Montaggio e rimozione della catena (figg. G e H)

Attenzione! Indossare sempre guanti di protezione per l'installazione e la rimozione della catena. La catena è affilata e può causare ferite da taglio anche da ferma.

- ◆ Appoggiare l'elettrotensile su una superficie stabile e rigida.
- ◆ Allentare le viti Allen (16) usando la chiave Allen fornita. Svitare le viti.
- ◆ Togliere il copri rocchetto (5) e il morsetto della barra (17).
- ◆ Ruotare la vite (18) in senso antiorario per consentire alla barra di guida (6) di retrocedere e di ridurre la tensione sulla catena (7).
- ◆ Estrarre la vecchia catena dal rocchetto (19) e dalla barra di guida (6).
- ◆ Infilare la nuova catena nella gola della barra di guida e attorno al rocchetto. Accertarsi che i denti siano rivolti nella direzione corretta abbinando la freccia sulla catena a quella sull'alloggiamento.
- ◆ Accertarsi che la fessura (20) nella barra di guida sia sopra le spine di centraggio (21) e che il foro (22) sotto la fessura sia situato sopra la spina di regolazione (23).
- ◆ Rimontare il copri rocchetto (5), il morsetto della barra (17) e le viti (16).
- ◆ Serrare le viti (16) usando la chiave Allen fornita.
- ◆ Regolare la tensione della catena come descritto di seguito.

Onde garantire un funzionamento sicuro, la catena e la barra di guida devono essere sostituite solo con ricambi originali BLACK+DECKER. Numero di parte della catena di ricambio: A6158; numero di parte della barra di guida: 623381-00.

Controllo e regolazione della tensione della catena (fig. G)

- ◆ Controllare la tensione della catena. La tensione è corretta quando la catena (7) si tende di nuovo dopo essere stata allontanata di 3 mm dalla relativa barra con una leggera pressione dell'indice e del pollice. Non devono esservi cedimenti sul lato inferiore tra la barra di guida (6) e la catena (7).

Regolazione della tensione:

- ◆ Allentare le viti (16).
- ◆ Ruotare la vite (18) in senso orario.

Attenzione! Non tendere eccessivamente la catena: ciò causa un logorio eccessivo e abbrevia la vita della barra di guida e della catena stessa.

- ◆ Quando la tensione della catena è corretta, serrare le viti (18).

Attenzione! Quando la catena è nuova, controllarne la tensione frequentemente nel corso delle due prime ore di impiego, dato che le catene nuove cedono leggermente.

Lubrificazione della catena

La catena deve essere oliata prima di ciascun impiego e dopo la pulitura usando solo olio di tipo corretto (n. cat. A6027).

- ◆ Oliare uniformemente l'intera catena (7) per mezzo dell'oliatore (9).

Stoccaggio

Se l'elettrooutensile non deve essere usato per parecchi mesi, si consiglia di lasciare la batteria collegata all'alimentatore.

Altrimenti eseguire gli interventi descritti di seguito.

- ◆ Caricare completamente la batteria.
- ◆ Estrarre la batteria dall'elettrooutensile.
- ◆ Conservare l'elettrooutensile e la batteria in un posto sicuro e asciutto.
- ◆ La temperatura del luogo in cui si ripone l'elettrooutensile deve sempre essere da +10°C a +40°C. Appoggiare la batteria su di una superficie piana.
- ◆ Prima di usare l'elettrooutensile dopo un lungo periodo di inutilizzo, caricare di nuovo, completamente, la batteria.

Protezione dell'ambiente



Raccolta differenziata. I prodotti e le batterie contrassegnati con questo simbolo non devono essere smaltiti con i rifiuti domestici normali.

Essi contengono materiali che possono essere recuperati o riciclati, riducendo la richiesta di materie prime.

Riciclare i prodotti elettrici e le batterie attenendosi alle disposizioni locali. Ulteriori informazioni sono disponibili all'indirizzo www.2helpU.com.

Dati tecnici

PS1820ST1, PS1820L1 H2		
Tensione	V _{DC}	18
Velocità della catena (senza carico)	m/s	190
Lunghezza di taglio max	cm	17
Peso	kg	3,5

Batteria			BL2518
Tensione	V _{DC}		18
Capacità	Ah		2,5
Tipo			Agli ioni di litio
Caricabatterie			906068**
Tensione in ingresso	V _{AC}		230
Corrente di uscita	Ah		18
Output current	mA		2000

Livello di rumorosità, dati conformi alla norma EN 60745:

L_{pa} (pressione sonora) 78 dB(A), incertezza (K) 3 dB(A)
L_{WA} (potenza sonora) 98 dB(A), incertezza (K) 3 dB(A)

Valori totali di emissione di vibrazioni (somma vettoriale triassiale) in conformità alla norma EN 60745:

Taglio di legno dolce appena abbattuto (a₁) <2,5 m/s², incertezza (K) 1,5 m/s²

Dichiarazione di conformità CE DIRETTIVA MACCHINE



PS1820ST1, PS1820L1 – potatrice ad asta

senza filo Black & Decker dichiara che i prodotti descritti al paragrafo "Dati tecnici" sono conformi alle seguenti normative:

EN 60745-1:2009 +A11:2010, EN ISO 11680-1:2011

Questi prodotti sono conformi alle Direttive 2006/42/CE, 2014/30/UE e 2011/65/UE

Per maggiori informazioni contattare Black & Decker all'indirizzo riportato di seguito oppure consultare l'ultima di copertina del manuale.

Il sottoscritto è responsabile della redazione del presente documento tecnico ed effettua questa dichiarazione per conto di Black & Decker.

A. Smith
Technical Director
Black & Decker Europe, 210 Bath Road, Slough,
Berkshire, SL1 3YD
Regno Unito
15/01/2019

Garanzia

Black&Decker è certa della qualità dei propri prodotti e offre ai consumatori una garanzia di 24 mesi dalla data di acquisto. Il presente certificato di garanzia è complementare ai diritti legali e non li pregiudica in alcun modo. La garanzia è valida nei territori degli Stati membri dell'Unione Europea e dell'EFTA (Associazione europea di libero scambio).

Per attivare la garanzia, il reclamo deve essere effettuato in accordo con i Termini e Condizioni Black & Decker e sarà necessario presentare la prova di acquisto al venditore o all'agente di riparazione autorizzato. I Termini e condizioni della garanzia Black & Decker di 2 anni e la sede dell'agente di riparazione autorizzato più vicino sono consultabili su Internet all'indirizzo www.2helpU.com oppure è possibile contattare l'ufficio Black & Decker di zona all'indirizzo indicato in questo manuale.

Visitare il nostro sito web www.blackanddecker.it per registrare il prodotto Black & Decker appena acquistato e ricevere gli aggiornamenti su nuovi prodotti e offerte speciali.

Bedoeld gebruik

Uw BLACK+DECKER™, PS1820ST1, PS1820L1 snoerloze snoeischaar aan een stok is ontworpen voor het snoeien van bomen. Dit gereedschap is alleen bedoeld voor consumentengebruik.

De lader van BLACK+DECKER is bedoeld voor het opladen van BLACK+DECKER-accu's van het type dat bij dit gereedschap is geleverd.

Veiligheidsinstructies

Algemene veiligheidswaarschuwingen voor elektrisch gereedschap



Waarschuwing! Lees alle veiligheidsinstructies en alle instructies. Wanneer de volgende waarschuwingen en voorschriften niet in acht worden genomen, kan dit een elektrische schok, brand of ernstig letsel tot gevolg hebben.

Bewaar alle waarschuwingen en instructies als referentiemateriaal. De hierna gebruikte term 'elektrisch gereedschap' in alle waarschuwingen die hieronder worden vermeld, heeft betrekking op elektrisch gereedschap voor gebruik op netspanning (met netsnoer) of met een accu (snoerloos).

1. Veilige werkomgeving

- a. **Houd uw werkomgeving schoon en goed verlicht.** Op rommelige of donkere plekken zullen sneller ongelukken gebeuren.
- b. **Werk niet met elektrisch gereedschap in een omgeving met explosiegevaar, zoals in de nabijheid van brandbare vloeistoffen, gassen of stof.** Elektrisch gereedschap veroorzaakt vonken die het stof of de dampen kunnen doen ontbranden.
- c. **Houd kinderen en omstanders tijdens het gebruik van elektrisch gereedschap op afstand.** Als u wordt afgeleid, kunt u de controle over het gereedschap verliezen.

2. Elektrische veiligheid

- a. **De netstekker van het elektrisch gereedschap moet in het stopcontact passen. Pas de stekker nooit op enige manier aan. Gebruik geen adapterstekkers in combinatie met geaard elektrisch gereedschap.** Niet-aangepaste stekkers en passende contactdozen verminderen het risico van een elektrische schok.
- b. **Vermijd aanraking van het lichaam met geaarde oppervlakken, bijvoorbeeld buizen, verwarmingen, fornuizen en koelkasten.** Er bestaat een verhoogd risico van een elektrische schok als uw lichaam contact heeft met aarde.

- c. **Stel elektrisch gereedschap niet bloot aan regen en vocht.** Als er water in een elektrisch gereedschap dringt, verhoogt dit het risico van een elektrische schok.
- d. **Behandel het snoer voorzichtig.** Gebruik het snoer nooit om het elektrisch gereedschap te dragen of naar u toe te trekken, of de stekker uit het stopcontact te halen. Houd het snoer uit de buurt van warmtebronnen, olie, scherpe randen, of bewegende onderdelen. Beschadigde snoeren of snoeren die in de war zijn geraakt, verhogen het risico van een elektrische schok.
- e. **Gebruik, wanneer u buitenshuis met elektrisch gereedschap werkt, alleen verlengsnoeren die zijn goedgekeurd voor gebruik buitenshuis.** Het gebruik van een verlengsnoer dat geschikt is voor buiten vermindert het risico van een elektrische schok.
- f. **Als u met elektrisch gereedschap werkt op een vochtige locatie, gebruik dan een aardlekschakelaar (RCD).** Het gebruik van een aardlekschakelaar vermindert het risico van een elektrische schok.
- 3. Persoonlijke veiligheid**
- a. **Blijf alert, let goed op wat u doet en ga met verstand te werk bij het gebruik van elektrisch gereedschap.** Gebruik elektrisch gereedschap niet als u vermoeid bent of onder de invloed van drugs, alcohol of medicatie bent. Een moment van onoplettendheid tijdens het werken met elektrisch gereedschap kan leiden tot ernstig persoonlijk letsel.
- b. **Draag persoonlijke beschermende uitrusting. Draag altijd oogbescherming.** Beschermende uitrusting, zoals een stofmasker, antislip veiligheidsschoenen, een helm, of gehoorbescherming, gebruikt in de juiste omstandigheden, zal het risico op persoonlijk letsel verminderen.
- c. **Voorkom per ongeluk inschakelen. Controleer dat de schakelaar in de uit-stand staat voordat u het gereedschap aansluit op het stopcontact en/of de accu plaatst en voordat u het gereedschap optilt of gaat dragen.** Het dragen van elektrisch gereedschap met uw vinger op de schakelaar of het aanzetten van elektrisch gereedschap waarvan de schakelaar aan staat, kan leiden tot ongelukken.
- d. **Verwijder instelgereedschap of schroefsleutels voordat u het elektrisch gereedschap inschakelt.** Een steeksleutel of een inbussleutel in een draaiend deel van het elektrisch gereedschap kan tot persoonlijk letsel leiden.
- e. **Reik niet buiten uw macht. Blijf altijd stevig en in balans op de grond staan.** Dit geeft u betere controle over het elektrisch gereedschap in onverwachte situaties.
- f. **Draag geschikte kleding. Draag geen loszittende kleding of sieraden. Houd uw haar, kleding en handschoenen uit de buurt van bewegende onderdelen.** Loszittende kleding, sieraden of lang haar kunnen door bewegende delen worden gegrepen.
- g. **Als voorzieningen voor stofafzuiging of stofopvang kunnen worden gemonteerd, controleer dan dat deze zijn aangesloten en op de juiste wijze worden gebruikt.** Het gebruik van stofafzuiging kan aan stof gerelateerde gevaren verminderen.
- h. **Word niet gemakzuchtig doordat u door veelvuldig gebruik vertrouwd bent geraakt met het gereedschap, en verlies niet de veiligheidsbeginselen uit het oog.** Een onvoorzichtige handeling kan in een fractie van een seconde ernstig letsel tot gevolg hebben.
- 4. Gebruik en onderhoud van elektrisch gereedschap**
- a. **Overbelast het elektrisch gereedschap niet. Gebruik het juiste elektrisch gereedschap voor uw toepassing.** Met het juiste elektrisch gereedschap kunt u de werkzaamheden waarvoor het gereedschap is ontworpen, beter en veiliger uitvoeren.
- b. **Gebruik het elektrisch gereedschap niet als de schakelaar niet goed werkt.** Ieder elektrisch gereedschap dat niet met de schakelaar kan worden bediend, is gevaarlijk en moet worden gerepareerd.
- c. **Trek de stekker uit het stopcontact en/of de accu uit het elektrisch gereedschap voordat u het gereedschap instelt, accessoires wisselt of het elektrisch gereedschap opbergt.** Dergelijke preventieve veiligheidsmaatregelen verminderen het risico dat het elektrisch gereedschap per ongeluk wordt gestart.
- d. **Bewaar elektrisch gereedschap dat niet wordt gebruikt, buiten bereik van kinderen. Laat niet personen die er niet vertrouwd mee zijn en deze aanwijzingen niet hebben gelezen met het gereedschap werken.** Elektrisch gereedschap is gevaarlijk in handen van ongetrainde gebruikers.
- e. **Onderhoud het gereedschap goed. Controleer dat bewegende delen van het elektrisch gereedschap wel goed functioneren en niet klemmen, en dat er niet onderdelen zodanig zijn gebroken of beschadigd dat de werking van het gereedschap nadelig wordt beïnvloed. Laat het gereedschap voor gebruik repareren als het beschadigd is.** Veel ongelukken worden veroorzaakt door slecht onderhouden elektrisch gereedschap.
- f. **Houd zaag- en snijgereedschap scherp en schoon.** Goed onderhouden zaaggereedschap met scherpe snijvlakken loopt minder snel vast en is gemakkelijker onder controle te houden.
- g. **Gebruik elektrisch gereedschap, accessoires, zaagjes en boortjes, enz., volgens deze aanwijzingen. Let daarbij op de arbeidsomstandigheden en de uit te voeren werkzaamheden.** Gebruik van het elektrisch

gereedschap voor werkzaamheden die anders zijn dan bedoeld, kan leiden tot een gevaarlijke situatie.

- h. Houd de handgrepen droog, schoon en vrij van olie en vet.** Gladde handgrepen en hellende oppervlakken maken het moeilijk het gereedschap veilig te hanteren en onder controle te houden in onverwachte situaties.

5. Gebruik en onderhoud van accugereedschap

- a. Laad accu's alleen op met de door de fabrikant aanbevolen lader.** Een lader die geschikt is voor het ene type accu, kan een risico van brand doen ontstaan bij gebruik met een andere accu.
- b. Gebruik elektrisch gereedschap alleen in combinatie met specifiek vermelde accu's.** Het gebruik van andere accu's kan gevaar voor letsel en brand opleveren.
- c. Houd de accu, wanneer u deze niet gebruikt, weg bij andere metalen objecten zoals paperclips, munten, sleutels, spijkers, schroeven of andere kleine metalen voorwerpen die een verbinding tot stand kunnen brengen tussen de ene pool en de andere.** Als kortsluiting tussen de polen van de accu wordt gemaakt, kan dit tot brandwonden of brand leiden.
- d. Wanneer de accu slecht wordt behandeld, kan er vloeistof uit de accu spuiten, vermijd contact met deze vloeistof. Als er per ongeluk contact ontstaat, spoel dan met water. Als de vloeistof in de ogen komt, roep dan tevens medische hulp in.** Vloeistof uit de accu kan irritatie en brandwonden veroorzaken.
- e. Gebruik niet accu's of gereedschappen die beschadigd zijn of waaraan wijzigingen zijn aangebracht.** Beschadigde of gemodificeerde accu's kunnen zich onvoorspelbaar gedragen wat brand, explosie of een risico van letsel met zich mee kan brengen.
- f. Stel een accu of gereedschap niet bloot aan vuur of uitzonderlijk hoge temperaturen.** Blootstelling aan brand of een temperatuur boven 130° C kan explosie tot gevolg hebben.
- g. Volg alle instructies voor het opladen en laad de accu of het gereedschap niet bij een temperatuur buiten het temperatuurbereik dat wordt opgegeven in de instructies.** Onjuist opladen of opladen bij temperaturen buiten het opgegeven bereik kan de accu beschadigen en het risico van brand vergroten.

6. Service

- a. Laat het gereedschap alleen repareren door gekwalificeerd en vakkundig personeel en alleen met originele vervangingsonderdelen.** De veiligheid van het gereedschap blijft dan gewaarborgd.
- b. Voer nooit servicewerkzaamheden uit aan accu's.** Alleen de fabrikant of een geautoriseerd servicecentrum mag servicewerkzaamheden aan accu's uitvoeren.

Aanvullende veiligheidswaarschuwingen voorelektrisch gereedschap



Waarschuwing! Aanvullende veiligheidsinstructies voor takkenzagen

- ◆ **Houd alle lichaamsdelen uit de buurt van de zaagketting terwijl de kettingzaag in bedrijf is. Controleer voordat u de kettingzaag start of de zaagketting vrij kan draaien.** Een moment van onoplettendheid bij het gebruik van kettingzagen kan ertoe leiden dat kledingstukken of lichaamsdelen in de kettingzaag verstrikt raken.
- ◆ **Houd altijd uw rechterhand op de achterste handgreep van de kettingzaag en uw linkerhand op de voorste handgreep.** Houd de kettingzaag nooit anders beet, aangezien hierdoor het gevaar voor lichamenlijk letsel toeneemt.
- ◆ **Houd het gereedschap alleen vast bij de geïsoleerde greepoppervlakken, omdat de kettingzaag met verborgen bedrading in aanraking kan komen.** Als een draad onder spanning met een kettingzaag wordt geraakt, komen onbedekte metalen onderdelen van het gereedschap onder spanning te staan en kunt u een elektrische schok krijgen.
- ◆ **Draag een veiligheidsbril en gehoorbescherming. Ook beschermende uitrusting voor hoofd, handen, benen en voeten wordt aanbevolen.** Adequaate beschermende kleding verkleint eventueel letsel door rondvliegende snijpers of contact met de zaagketting.
- ◆ **Gebruik de kettingzaag niet terwijl u zich in een boom bevindt.** Dit kan lichamenlijk letsel tot gevolg hebben.
- ◆ **Zorg er altijd voor dat u stevig staat en gebruik de kettingzaag alleen wanneer u op een stabiel, veilig en horizontaal vlak staat.** Bij gladde of instabiele vlakken, zoals ladders, kunt u uw evenwicht of de controle over de kettingzaag verliezen.
- ◆ **Wees er bedacht op dat takken die onder spanning staan, kunnen terugveren wanneer u ze doorzaagt.** Zodra de spanning in de houtvezels vrijkomt, kunt u door de tak worden geraakt en/of de controle over de kettingzaag verliezen.
- ◆ **Ga zeer voorzichtig te werk bij het zagen van struikgewas of jong hout.** Het dunne materiaal kan in de zaagketting vast komen te zitten en naar u toe zwiepen of u uit balans trekken.
- ◆ **Draag de kettingzaag aan de voorste handgreep, in uitgeschakelde toestand en van uw lichaam af gericht.** Plaats altijd de kap over het zwaard als u de kettingzaag vervoert of bewaart. Een juist gebruik van de kettingzaag verkleint de kans dat u de bewegende zaagketting raakt.
- ◆ **Volg de instructies voor het smeren en spannen van de ketting en het vervangen van accessoires**

nauwgezet op. Een onjuist gespannen of gesmeerde ketting kan breken en vergroot de kans op terugslag

- ◆ **Houd de handvatten droog, schoon en vrij van olie en vet.** Vettige handvatten zijn glad, waardoor u de controle over het gereedschap kunt verliezen.
- ◆ **Zaag uitsluitend hout. Gebruik de kettingzaag niet voor doeleinden waarvoor deze niet bestemd is.** Bijvoorbeeld: gebruik de kettingzaag niet voor het zagen van kunststof, metselwerk of bouwmaterialen die niet van hout zijn. Gebruik voor andere doeleinden dan waarvoor de kettingzaag bestemd is, kan leiden tot gevaarlijke situaties.

Oorzaken van terugslag en preventie door de gebruiker

Er kan terugslag optreden wanneer de punt van het zwaard op een voorwerp stoot of het hout terugveert en de zaagketting in de zaagsnede klem komt te zitten.

Als de punt een voorwerp raakt, kan het zwaard plotseling omhoog en naar achter slaan in de richting van de gebruiker. Wanneer de zaagketting aan de bovenzijde van het zwaard klem komt te zitten, kan het zwaard snel achterwaarts in de richting van uw lichaam worden geduwd. Door deze beide reacties kunt u de controle over de kettingzaag verliezen en ernstig lichamenteel letsel oplopen. Vertrouw niet uitsluitend op de ingebouwde veiligheidsvoorzieningen van de kettingzaag. Als gebruiker van de kettingzaag kunt u ook zelf het nodige doen om ongevallen of letsel tijdens de zaagwerkzaamheden te voorkomen.

Terugslag is het gevolg van het verkeerde gebruik of van onjuiste gebruiksomstandigheden van het gereedschap. Met geschikte voorzorgsmaatregelen, zoals hieronder zijn beschreven, kan terugslag worden voorkomen:

- ◆ **Zorg voor een stevige grip, sluit uw duimen en vingers om de handgrepen. Houd de kettingzaag met beide handen vast en houd uw lichaam en armen zodanig dat u weerstand kunt bieden aan de terugslagkrachten.** Met geschikte voorzorgsmaatregelen kunt u de terugslagkrachten onder controle houden. Laat de kettingzaag niet los.
- ◆ **Reik niet te ver en zaag niet boven schouderhoogte.** Dit voorkomt onbedoeld contact met de punt en zorgt ervoor dat u de kettingzaag in onverwachte situaties beter onder controle kunt houden.
- ◆ **Gebruik uitsluitend door de fabrikant aanbevolen vervangingsonderdelen.** Onjuiste zwaarden en kettingen kunnen kettingbreuk en/of terugslag veroorzaken.
- ◆ **Volg voor de zaagketting de slijp- en onderhoudsinstructies van de fabrikant.** Verkleining van de dieptemaat kan tot meer terugslag leiden.

- ◆ **Het raken van metaal, cement of andere harde materialen in of in de buurt van het hout kan terugslag veroorzaken.**
- ◆ **Een botte of losse ketting kan terugslag veroorzaken.**
- ◆ **U kunt beter niet proberen verder te zagen in een eerder gemaakte zaagsnede, omdat dit zou kunnen leiden tot terugslag.** Maak elke keer een nieuwe zaagsnede.
- ◆ **Onervaren gebruikers wordt sterk aangeraden een ervaren gebruiker om praktische instructies over het gebruik van de kettingzaag en veiligheidsuitrusting te vragen.** De eerste ervaringen kunnen het beste worden opgedaan met het zagen van stammen op een zaagbok of montageframe.
- ◆ **Wij adviseren u tijdens het dragen van de kettingzaag de accu te verwijderen en de zaagketting naar achteren te richten.**
- ◆ **Onderhoud uw kettingzaag ook goed wanneer u deze niet gebruikt. Berg de kettingzaag niet op zonder dat u eerst de ketting en het zwaard uit de zaag hebt verwijderd en ondergedompeld in olie hebt bewaard.** Bewaar alle onderdelen van uw kettingzaag op een droge, veilige plaats, buiten bereik van kinderen.
- ◆ **Wij adviseren u het oliereservoir leeg te laten lopen voordat u de kettingzaag opbergt.**
- ◆ **Ga vooral stevig op uw voeten staan en zoek van tevoren naar een veilige uitweg voor de vallende boom of vallende takken.**
- ◆ **Houd met behulp van wiggen controle over het kapproces en voorkom zo dat de ketting en het zwaard in de zaagsnede vast komen te zitten.**
- ◆ **Onderhoud van de zaagketting. Houd de zaagketting scherp en zorg dat deze stevig tegen het zwaard ligt.** Zorg dat de zaagketting en het zwaard schoon en goed geolied zijn. Houd de handvatten droog, schoon en vrij van olie en vet.
- ◆ **Zorg dat er iemand in de buurt (maar op veilige afstand) is voor het geval er zich een ongeluk voordoet.**
- ◆ **Controleer dat de kettingzaag niet meer op de netspanning is aangesloten wanneer u de zaagketting om welke reden dan ook moet aanraken.**
- ◆ **Het geluidsniveau van dit product kan meer dan 85 dB(A) bedragen.** Het is daarom raadzaam om adequate maatregelen te nemen om uw gehoor te beschermen.
- ◆ **Het zwaard kan heet worden tijdens het zagen.** Ga voorzichtig te werk.
- ◆ **Houd verlengsnoeren uit de buurt van maai-elementen.**

Veiligheid van anderen

- ◆ Dit apparaat mag worden gebruikt door kinderen van 8 jaar en ouder en personen die lichamenteel of geestelijk minder valide zijn of die geen ervaring met of kennis van

dit apparaat hebben, mits deze onder toezicht staan of instructies krijgen voor veilig manier gebruik van het apparaat en inzicht hebben in de mogelijke gevaren. Kinderen mogen niet met het apparaat spelen. Laat kinderen nooit zonder toezicht het apparaat schoonmaken of onderhouden.

- ◆ Houd toezicht op kinderen zodat zij niet met het apparaat kunnen spelen.

Overige risico's

Er kunnen zich bij het gebruik van dit gereedschap nog meer risico's voordoen, die mogelijk niet in de bijgesloten veiligheidswaarschuwingen worden beschreven. Deze risico's kunnen zich voordoen door onoordeelkundig gebruik, langdurig gebruik, enz.

Zelfs wanneer de veiligheidsvoorschriften in acht worden genomen en de veiligheidsvoorzieningen worden gebruikt, kunnen bepaalde risico's niet worden uitgesloten. Dit zijn onder meer:

- ◆ Verwondingen die worden veroorzaakt door het aanraken van draaiende of bewegende onderdelen.
- ◆ Verwondingen die worden veroorzaakt bij het vervangen van onderdelen, messen of accessoires.
- ◆ Verwondingen die worden veroorzaakt door langdurig gebruik van gereedschap. Wanneer u langere periodes met gereedschap werkt, kunt u het beste regelmatig een pauze nemen.
- ◆ Gehoorbeschadiging.
- ◆ Gezondheidsrisico's door het inademen van stof dat vrijkomt tijdens het gebruik van uw gereedschap (bijvoorbeeld: het werken met hout, met name eiken, beuken en MDF.)

Trillingen

De aangegeven waarden voor trillingsemissie in de technische gegevens en de conformiteitverklaring, zijn gemeten conform een standaardtestmethode die door EN 60745 wordt verstrekt. Hiermee kan het ene gereedschap met het andere worden vergeleken. De aangegeven waarde voor trillingsemissie kan ook worden gebruikt bij een voorlopige bepaling van blootstelling.

Waarschuwing! De waarde voor trillingsemissie tijdens het werkelijke gebruik van het elektrisch gereedschap kan verschillen van de aangegeven waarde afhankelijk van de manieren waarop het gereedschap wordt gebruikt. Het trilling-niveau kan toenemen tot boven het aangegeven niveau.

Bij beoordeling van de blootstelling aan trillingen met het doel vast te stellen welke veiligheidsmaatregelen 2002/44/EG vereist ter bescherming van personen die tijdens hun werk regelmatig elektrisch gereedschap gebruiken, moet bij een inschatting van de blootstelling aan trillingen rekening worden gehouden met de werkelijke gebruiksomstandigheden en

de manier waarop het gereedschap wordt gebruikt. Daarbij moet ook rekening worden gehouden met alle onderdelen van de bedrijfscyclus, zoals wanneer het gereedschap wordt uitgeschakeld en wanneer het gereedschap stationair loopt en ook de aanlooptijd.

Snoeien

Controleer voordat u gaat snoeien of er geen wetten of voorschriften zijn die het vellen van de boom verbieden.

- ◆ Wees u bewust van de waarschijnlijke valrichting van takken. Houd rekening met alle factoren die de valrichting kunnen beïnvloeden, zoals:
 - ◆ de lengte en het gewicht van de te zagen tak
 - ◆ de beoogde valrichting
 - ◆ een verdikking of rotte plek
 - ◆ de aanwezigheid van andere bomen of obstakels
 - ◆ bovengrondse kabels
 - ◆ vervlechtingen van de tak met andere takken
 - ◆ de richting en kracht van de wind
 - ◆ Houd rekening met de toegankelijkheid van de tak.

Takken hebben de neiging om naar de boomstam te zwaaien. U loopt niet alleen zelf het risico door de vallende tak te worden geraakt, maar ook omstanders, een gebouw of een voorwerp.

Etiketten op het gereedschap

Naast de datumcode is het gereedschap voorzien van de volgende symbolen:



Waarschuwing! De gebruiker moet de instructiehandleiding lezen zodat het risico van letsel wordt beperkt.



Het gereedschap mag niet aan regen of hoge vochtigheid worden blootgesteld.



Wees bedacht op vallende voorwerpen. Houd omstanders uit de buurt.



Elektrocutiegevaar. Blijf minimaal 10 meter uit de buurt van bovengrondse kabels.



Draag altijd hoofd- en oogbescherming.



Draag antislipschoeisel.



Voor een continu veilig gebruik controleert u na elke 10 minuten gebruik de kettingspanning zoals beschreven in deze handleiding en stelt u de ketting opnieuw af op een speling van 3 mm, indien nodig. Smeer de ketting na elke tien minuten gebruik.



Draairichting van de ketting.



Waarschuwing! Raak de ketting niet aan bij de zaagselafvoer.

Aanvullende veiligheidsinstructies voor accu's en laders

Accu's

- ◆ Probeer nooit om welke reden dan ook de accu open te maken.
- ◆ Stel de accu niet bloot aan water.
- ◆ Bewaar de accu niet op locaties waar de temperatuur kan stijgen tot boven 40 °C.
- ◆ Laad de accu uitsluitend op bij een omgevingstemperatuur tussen 10 °C en 40 °C.
- ◆ Gebruik alleen de lader die bij het gereedschap is geleverd.
- ◆ Gooi lege accu's weg volgens de instructies in het gedeelte "Het milieu beschermen".
- ◆ U mag de accubehuizing niet beschadigen of vervormen, er gaten in prikken of ertegenaan stoten, omdat hierdoor een risico van letsel en brand kan ontstaan.
- ◆ Laad beschadigde accu's niet op.
- ◆ Onder extreme omstandigheden kunnen accu's lek raken. Wanneer de accu's nat of vochtig zijn, veegt u de vloeistof voorzichtig af met een doek. Vermijd huidcontact.
- ◆ Volg onderstaande instructies wanneer de vloeistof in contact komt met uw huid of ogen.

Waarschuwing! De accuvloeistof kan lichamelijk letsel of materiële schade veroorzaken. Bij huidcontact moet u de vloeistof direct afspoelen met water. Raadpleeg uw huisarts als er rode vlekken ontstaan of bij een pijnlijke of geïrriteerde huid. Bij oogcontact moet u de vloeistof direct uitspoelen met water en uw huisarts raadplegen.

Laders

De lader is ontworpen voor een bepaalde spanning. Controleer altijd dat de netspanning overeenkomt met de waarde op het typeplaatje.

- ◆ Gebruik de lader van BLACK+DECKER alleen voor de accu's in het gereedschap waarbij de lader is geleverd. Andere accu's kunnen openbarsten, met persoonlijk letsel en materiële schade tot gevolg.
- ◆ Probeer nooit niet-oplaadbare accu's op te laden.
- ◆ Laat een defect snoer onmiddellijk vervangen.
- ◆ Stel de lader niet bloot aan water.
- ◆ Open de lader niet.
- ◆ Steek nooit een voorwerp in de lader.
- ◆ Plaats de lader in een goed geventileerde ruimte, wanneer u een accu oplaadt.

Montage

Uw lader is voorzien van de volgende symbolen:



De lader is uitsluitend bestemd voor gebruik binnenshuis.



Lees de instructiehandleiding voordat u de lader in gebruik neemt.

Elektrische veiligheid



De lader is dubbel geïsoleerd, en daarom is een aardedraad niet nodig. Controleer altijd dat de netspanning overeenkomt met de waarde op het typeplaatje. Probeer nooit de lader te voorzien van een normale netstekker.

- ◆ Als het netsnoer is beschadigd, moet het worden vervangen door de fabrikant of een BLACK+DECKER-servicecentrum zodat gevaarlijke situaties worden voorkomen.

Functies

Dit apparaat heeft enkele van de volgende functies of allemaal.

1. Aan/uit-schakelaar
2. Ontgrendelingsknop
3. Handgreep
4. Zaagkop
5. Tandwielkap
6. Zwaard
7. Ketting
8. Beschermkap
9. Smeeroliereservoir
10. Verlengstuk
11. Accu

Fig. A

12. Lader

Montage

Waarschuwing! Verwijder de accu uit het gereedschap voordat u met de montage begint.

De accu plaatsen en verwijderen (afb. B)

- ◆ Plaats de accu (11) door deze tegenover het vak op het gereedschap te houden. Schuif de accu in het vak en duw tot de accu op z'n plaats klikt.
- ◆ Wilt u de accu verwijderen, druk dan op de vrijgaveknop (13) en trek tegelijkertijd de accu uit het accuvak.

Waarschuwing! Teneinde het apparaat niet onbedoeld in werking te stellen, moet u ervoor zorgen dat de accu is verwijderd en de beschermkap zich op de zaag bevindt voordat de volgende handelingen worden uitgevoerd. Als u dat niet doet, kan dat tot ernstig letsel leiden.

De zaagkop monteren (afb. C)

Als u de zaag zonder verlengstuk wilt gebruiken, kunt u de zaagkop rechtstreeks aan de handgreep bevestigen.

- ◆ Plaats de groef aan de buitenzijde van het koppelstuk van de handgreep (3) tegenover de uitstekende rand aan de binnenzijde van het koppelstuk van de zaagkop (4). Duw de zaagkop (4) op de handgreep (3).
- ◆ Schuif de opsluitring (14) naar beneden en draai de ring rechtsom stevig vast.

Waarschuwing! Controleer de verbindingen regelmatig zodat u er zeker van bent dat ze stevig vastzitten.

Het verlengstuk monteren (fig. D)

U kunt het bereik vergroten door het verlengstuk (10) te bevestigen tussen de zaagkop (4) en de handgreep (3).

- ◆ Plaats de groeven aan de buitenzijde van het koppelstuk van de handgreep (3) in lijn met de uitstekende randen aan de binnenzijde van het koppelstuk van het verlengstuk (10).
- ◆ Druk het verlengstuk (10) in de handgreep (3).
- ◆ Schuif de opsluitring (15) naar beneden en draai de ring rechtsom stevig vast.
- ◆ Plaats de groeven aan de buitenzijde van het koppelstuk van het verlengstuk (10) in lijn met de uitstekende randen aan de binnenzijde van het koppelstuk van de zaagkop (4).
- ◆ Druk de zaagkop (4) op het verlengstuk (10).
- ◆ Schuif de opsluitring (14) naar beneden en draai de ring rechtsom stevig vast.

Waarschuwing! Controleer de verbindingen regelmatig om er zeker van te zijn dat ze goed vastzitten.

De zaagkop verwijderen (fig. C en D)

Als het verlengstuk (10) is gemonteerd, moet u eerst de zaagkop verwijderen.

- ◆ U kunt de zaagkop (4) verwijderen door de handgreep (3) op de grond te leggen, de opsluitring (14) los te maken en de zaagkop los te nemen.

Gebruik

Waarschuwing! Laat het gereedschap op zijn eigen snelheid werken. Overbelast het gereedschap niet.

De accu opladen - Afbeelding A

De accu moet vóór het eerste gebruik worden opgeladen, en ook zodra de accu niet meer voldoende vermogen levert voor taken die eerst gemakkelijk konden worden uitgevoerd. Tijdens het opladen kan de accu warm worden. Dit is normaal en duidt niet op een probleem.

Waarschuwing! Laad de accu niet op bij omgevingstemperaturen onder 10° C of boven 40° C. Aanbevolen laadtemperatuur: ongeveer 24 °C.

Opmerking: De lader functioneert niet als de temperatuur van de accu lager is dan ongeveer 10° C of hoger dan 40° C. Laat de accu in dat geval in de lader zitten. De lader wordt automatisch ingeschakeld wanneer de accu de juiste temperatuur heeft.

- ◆ Neem de accu (11), als u deze wilt opladen, uit het gereedschap en plaats de accu in de lader (12). De accu past maar op één manier in de lader. Oefen er geen kracht op uit. Controleer dat de accu goed in de lader is geplaatst.
- ◆ Steek de stekker van de lader in een stopcontact.
- ◆ Het indicatielampje van de lader (24) blijft (langzaam) groen knipperen.

Wanneer het indicatielampje (24) continu groen brandt, is de accu volledig opgeladen. De accu kan voor opbepaalde tijd in de lader blijven, terwijl de LED brandt. Het lampje gaat groen knipperen (opladen), omdat de accu door de lader af en toe wordt bijgeladen. Het indicatielampje (24) blijft branden zolang de accu zich op de lader bevindt en de lader is aangesloten op het stopcontact.

- ◆ Laad lege accu's binnen 1 week op. Als u accu's leeg bewaart, loopt de levensduur van de accu's aanzienlijk terug.

De accu in de lader laten zitten

U kunt de accu voor onbepaalde tijd in de lader laten zitten terwijl de LED brandt. De lader houdt de accu vers en volledig opgeladen.

Diagnose van de accu door de lader

Als de lader waarneemt dat de accu bijna leeg is of beschadigd is, gaat het indicatielampje van de lader (24) snel rood knipperen. Ga als volgt te werk:

- ◆ Plaats de accu (11) opnieuw.
- ◆ Controleer, als de indicatielampjes voor het laden snel rood blijven knipperen, met een andere accu of het laadproces wel goed verloopt.
- ◆ Als de andere accu wel goed laadt, is de oorspronkelijke accu kapot en kunt u deze het beste terugbrengen naar een servicecentrum, waar de accu kan worden gerecycled.
- ◆ Als bij de nieuwe accu het lampje ook snel knippert, laat de lader dan testen in een geautoriseerd servicecentrum.

Opmerking: Het kan soms wel 60 minuten duren voordat kan worden vastgesteld dat de accu niet goed functioneert. Als de accu te heet is of te koud is, knippert het LED-lampje afwisselend snel en langzaam rood.

In- en uitschakelen (fig. E)

Om veiligheidsredenen is dit gereedschap voorzien van een dubbel schakelaarsysteem. Hierdoor wordt onbedoeld inschakelen van het gereedschap voorkomen.

Inschakelen

- ◆ Duw de knop voor vergrendeling in de uit-stand (2) met uw duim naar achteren en knijp tegelijkertijd de aan/uitschakelaar (1) in.
- ◆ Laat de knop voor vergrendeling in de uit-stand (2) los.

Uitschakelen

- ◆ Laat de aan/uit-schakelaar (1) los.

Waarschuwing! Probeer nooit om een schakelaar in de ingeschakelde stand te vergrendelen.

Snoeien (fig. F)

- ◆ Let erop dat u pas een zaagsnede moet gaan maken wanneer het gereedschap op volle snelheid draait.
- ◆ Houd het gereedschap stevig op zijn plaats zodat het niet kan terugslaan of zijwaarts bewegen. Leid het gereedschap door de tak door lichte druk uit te oefenen. Wanneer u zware takken gaat zagen, kan een onvolledige zaagsnede versplintering en beschadiging van de boom tot gevolg hebben. Ga daarom als volgt te werk:
 - ◆ Maak de eerste zaagsnede 15 cm van de stam van de boom aan de onderzijde van de tak. Gebruik de bovenzijde van het zwaard (6) voor deze zaagsnede.
 - ◆ Zaag voor een derde gedeelte door de tak. Zaag vervolgens vanaf de bovenzijde.

Reiniging, onderhoud en opbergen

Uw BLACK+DECKER-gereedschap/apparaat (met netsnoer/snoerloos) is ontworpen om gedurende langere tijd te functioneren met een minimum aan onderhoud.

U kunt het gereedschap naar volle tevredenheid blijven gebruiken als u voor correct onderhoud zorgt en het gereedschap regelmatig schoonmaakt.

Waarschuwing! Doe altijd het volgende voordat u onderhouds- of reinigingswerkzaamheden aan het gereedschap (met snoer/snoerloos) uitvoert.

- ◆ Schakel het gereedschap/apparaat uit en trek de stekker uit het stopcontact.
- ◆ Als het gereedschap/apparaat een afzonderlijke accu heeft, schakelt u het gereedschap/apparaat uit en haalt u de accu eruit.
- ◆ Als de accu is ingebouwd, laat u deze volledig ontladen. Schakel dan het apparaat uit.
- ◆ Neem de lader uit het stopcontact voordat u deze schoonmaakt. Naast regelmatige reiniging vereist de lader geen onderhoud.

Reinig regelmatig de ventilatieopeningen van het gereedschap/apparaat/lader met een zachte borstel of droge doek.

Reinig de behuizing van de motor regelmatig met een vochtige doek. Gebruik geen schuur- of oplosmiddel.

Open regelmatig de spanknop en tik erop om eventueel stof uit het binnenste te verwijderen (indien van toepassing).

Na gebruik en voordat het gereedschap wordt opgeborgen

- ◆ Reinig de ventilatieopeningen regelmatig met een schone, droge kwast.
- ◆ Reinig het gereedschap uitsluitend met een milde reinigungsoplossing en een vochtige doek. Voorkom dat vloeistof het gereedschap binnendringt en dompel nooit enig onderdeel van het gereedschap in vloeistof onder.
- ◆ Verwijder afval met een harde borstel.
- ◆ Smeer de ketting met olie.

De zaagketting plaatsen en verwijderen (fig. G en H)

Waarschuwing! Draag altijd veiligheidshandschoenen bij het verwijderen of monteren van de zaagketting. De ketting is scherp en kan u ook verwonden als deze niet draait.

- ◆ Leg het gereedschap op een stevige en stabiele ondergrond.
- ◆ Draai de schroeven (16) los met de bijgeleverde inbussleutel. Verwijder de schroeven.
- ◆ Verwijder de tandwielkap (5) en de zwaardklem (17).
- ◆ Draai de schroef (18) naar links zodat het zwaard (6) terugwijkt en de spanning op de ketting (7) afneemt.
- ◆ Verwijder de oude zaagketting van het tandwiel (19) en het zwaard (6).
- ◆ Plaats de nieuwe zaagketting in de groef van het zwaard en om het tandwiel. Zorg ervoor dat de tanden in de juiste richting wijzen door de pijl op de ketting tegenover de pijl op de behuizing te plaatsen.
- ◆ De gleuf (20) in het kettingzwaard moet over de locatiebouten (21) vallen en het gat (22) moet zich onder de gleuf over de stelbout (23) bevinden.
- ◆ Plaats de tandwielkap (5) en de zwaardklem (17) terug, evenals de schroeven (16).
- ◆ Draai de schroeven (16) vast met de bijgeleverde inbussleutel.
- ◆ U kunt de kettingspanning op de hierna beschreven wijze afstellen.

Teneinde een voortdurend veilige werking te waarborgen, dienen de ketting en het zwaard uitsluitend door originele onderdelen van BLACK+DECKER te worden vervangen. Het betreft onderdeelnummer A6158 voor een vervangende ketting en onderdeelnummer 623381-00 voor een vervangend zwaard.

De kettingspanning controleren en afstellen (fig. G)

- ◆ Controleer de kettingspanning. De spanning is juist wanneer de zaagketting (7) terugschiet als deze 3 mm van het zwaard wordt weggetrokken, waarbij met de middelvinger en de duim lichte druk wordt uitgeoefend. De zaagketting mag aan de onderzijde van het kettingzwaard (6) en de ketting (7) niet 'doorzakken'.

Stel de spanning als volgt af:

- ◆ Draai de schroeven (16) los.
- ◆ Draai de schroef (18) naar links.

Waarschuwing! Stel de ketting niet te strak af. Dit leidt tot overmatige slijtage en beperkt de levensduur van het zwaard en de ketting.

- ◆ Zodra de kettingspanning juist is afgesteld, kunnen de schroeven (18) worden aangedraaid.

Waarschuwing! Controleer de kettingspanning regelmatig tijdens de eerste twee uren van het eerste gebruik, aangezien nieuwe zaagkettingen meer rek vertonen.

Ketting oliën

De zaagketting moet vóór elk gebruik en na reiniging uitsluitend worden geolied met de juiste oliekwali teitsklasse (cat. nr. A6027).

- ◆ Olie de ketting (7) met behulp van het smeeroliereservoir (9).


Opbergen

Houd de accu op de lader aangesloten als het gereedschap enkele maanden niet wordt gebruikt.

Ga anders als volgt te werk:

- ◆ Laad de accu volledig op.
- ◆ Verwijder de accu uit het gereedschap.
- ◆ Berg het gereedschap en de accu op een veilige en droge plaats op.
- ◆ De temperatuur in de opbergruimte moet altijd tussen + 10°C en +40°C liggen. Bewaar de accu op een vlakke ondergrond.
- ◆ Voordat u het gereedschap weer gebruikt na langdurige opslag, dient u de accu opnieuw op te laden.

Het milieu beschermen

 Gescheiden afvalinzameling. Producten en accu's waarop dit symbool is aangebracht, mogen niet bij het normale huishoudafval worden weggegooid.

Producten en accu's bevatten materialen die kunnen worden teruggewonnen of gerecycled en dat doet de vraag naar grondstoffen afnemen.

Recycle elektrische producten en accu's volgens de ter plaatse geldende bepalingen.

Nadere informatie is beschikbaar op www.2helpU.com

Technische gegevens

PS1820ST1, PS1820L1 H2		
Spanning	V _{DC}	18
Kettingsnelheid (onbelast)	m/s	190
Maximale lengte zaagsnede	cm	17
Gewicht	kg	3,5

Accu		BL2518
Spanning	V _{DC}	18
Capaciteit	Ah	2,5
Type		Li-Ion
Lader		906068**
Ingangsspanning	V _{AC}	230
Uitgangsspanning	Ah	18
Uitgangsstroom	mA	2000

Niveau van de geluidsdruk gemeten volgens EN 60745:	
L _{PA} (geluidsvermogen) 78 dB(A), onzekerheid (K) 3 dB(A)	
L _{WA} (geluidsvermogen) 98 dB(A), onzekerheid (K) 3 dB(A)	

Totale trillingswaarden (som triaxvector) volgens EN 60745:	
Het zagen van onlangs geveld zacht hout (a _{w,rv}) < 2,5 m/s ² , onzekerheid (K) 1,5 m/s ²	

**EG conformiteitsverklaring
RICHTLIJN VOOR MACHINES**



PS1820ST1, PS1820L1 – snoeischaar aan een stok

Black & Decker verklaart dat deze producten, die zijn beschreven bij 'Technische gegevens', voldoen aan:

EN 60745-1:2009 +A11:2010, EN ISO 11680-1:2011

Deze producten voldoen tevens aan richtlijn 2006/42/EG, 2014/30/EU en 2011/65/EU.

Neem voor meer informatie contact op met Black & Decker op het volgende adres of raadpleeg de achterzijde van de handleiding.

Ondergetekende is verantwoordelijk voor de samenstelling van het technische bestand en legt deze verklaring af namens Black & Decker.

A. Smith
 Technical Director
 Black & Decker Europe, 210 Bath Road, Slough,
 Berkshire, SL1 3YD
 United Kingdom
 15/01/2019

Garantie

Black & Decker heeft vertrouwen in zijn producten en biedt consumenten een garantie van 24 maanden vanaf de aankoopdatum. Deze garantie vormt een aanvulling op uw wettelijke rechten en beperken deze niet. De garantie is geldig op het grondgebied van de Lidstaten van de Europese Unie en de Europese Vrijhandelszone.

Voor een garantie-aanspraak moet uw aanspraak in overeenstemming zijn met de Voorwaarden en Conditie van Black & Decker en moet u een bewijs van aankoop overleggen aan de verkoper of aan een geautoriseerde reparatiemonteur.

Voorwaarden en condities van de 2-jarige garantie van Black & Decker en het adres van de vestiging van het geautoriseerde reparatiecentrum bij u in de buurt, kunt u vinden op internet op www.2helpU.com, of door contact op te nemen met het Black & Decker-kantoor ter plaatse, op het adres dat in deze handleiding wordt vermeld.

Bezoek onze website www.blackanddecker.nl waar u uw nieuwe Black & Decker-product kunt registreren en updates over nieuwe producten en speciale aanbiedingen kunt ontvangen.

Uso previsto

La sierra podadora sin cable BLACK+DECKER™ PS1820ST1, PS1820L1 ha sido diseñada para poder árboles. Esta herramienta es solo para uso doméstico.

El cargador BLACK+DECKER ha sido diseñado para cargar baterías BLACK+DECKER del tipo suministrado con esta herramienta.

Instrucciones de seguridad

Advertencias de seguridad generales para herramientas eléctricas



Advertencia. Lea todas las advertencias de seguridad y todas las instrucciones. En caso de no atenerse a las siguientes advertencias e instrucciones de seguridad, podría producirse una descarga eléctrica, incendio o lesión grave.

Guarde todas las advertencias e instrucciones para futuras consultas. El término "herramienta eléctrica" empleado en las advertencias a continuación hace referencia a la herramienta eléctrica con alimentación de red (con cable) o alimentada por batería (sin cable).

1. Seguridad del área de trabajo

- a. **Mantenga limpia y bien iluminada el área de trabajo.**
Las áreas en desorden u oscuras pueden provocar accidentes.
- b. **No utilice herramientas eléctricas en entornos con peligro de explosión, como aquellos en los que haya líquidos, gases o polvos inflamables.** Las herramientas eléctricas originan chispas que pueden inflamar el polvo o los gases.
- c. **Mantenga alejados a los niños y otras personas del área de trabajo al emplear la herramienta eléctrica.**
Las distracciones pueden ocasionar que pierda el control.

2. Seguridad eléctrica

- a. **El enchufe de la herramienta eléctrica debe corresponder a la toma de corriente. No modifique nunca el enchufe de ninguna forma. No utilice ningún enchufe adaptador con las herramientas eléctricas conectadas a tierra.** Los enchufes no modificados y las tomas de corriente correctas reducen el riesgo de descarga eléctrica.
- b. **Evite que su cuerpo toque partes conectadas o puestas a tierra tales como tuberías, radiadores, cocinas y refrigeradores.** Existe un mayor riesgo de descarga eléctrica si su propio cuerpo está conectado a tierra.
- c. **No esponga las herramientas eléctricas a la lluvia y a la humedad.** Si entra agua a una herramienta eléctrica aumentará el riesgo de descarga eléctrica.

- d. **Cuide el cable de alimentación. No use nunca el cable para transportar, tirar de la herramienta eléctrica o desenchufarla. Mantenga el cable alejado del calor, aceite, bordes afilados y piezas en movimiento.** Los cables dañados o enredados aumentan el riesgo de descarga eléctrica.
 - e. **Al trabajar con la herramienta eléctrica en la intemperie utilice solamente cables de prolongación homologados para su uso en exteriores.** La utilización de un cable adecuado para el uso en exteriores reduce el riesgo de descarga eléctrica.
 - f. **Si la utilización de una herramienta eléctrica en un lugar húmedo es inevitable, utilice una fuente protegida con un dispositivo diferencial residual (DDR).** El uso de un dispositivo diferencial residual reduce el riesgo de descarga eléctrica.
- 3. Seguridad personal**
- a. **Esté atento a lo que hace y emplee la herramienta eléctrica con prudencia. No maneje una herramienta eléctrica cuando esté cansado o bajo los efectos de drogas, medicamentos o alcohol.** Un momento de falta de atención cuando se manejan las herramientas eléctricas puede ocasionar lesiones personales graves.
 - b. **Utilice un equipo de protección personal. Utilice siempre protección ocular.** El uso del equipo protector como mascarillas antipolvo, calzado antideslizante, casco o protección auditiva para condiciones apropiadas reducirá las lesiones personales.
 - c. **Impida que la herramienta se ponga en marcha accidentalmente. Asegúrese de que el interruptor se encuentre en la posición de apagado antes de conectar la herramienta a la fuente de alimentación o a la batería, o de coger o transportar la herramienta.** Transportar herramientas eléctricas con el dedo puesto en el interruptor o herramientas eléctricas activadoras que tengan el interruptor encendido puede provocar accidentes.
 - d. **Retire las herramientas de ajuste o llaves fijas antes de encender la herramienta eléctrica.** Dejar una llave inglesa u otra llave puesta en una pieza en movimiento de la herramienta eléctrica puede ocasionar lesiones personales.
 - e. **Sea precavido. Mantenga un equilibrio adecuado y la estabilidad constantemente.** Esto permite un mejor control de la herramienta eléctrica en situaciones inesperadas.
 - f. **Lleve puesta una vestimenta de trabajo adecuada. No se ponga ropa suelta o joyas. Mantenga el cabello, la ropa y los guantes alejados de las piezas en movimiento.** La ropa suelta, las joyas y el pelo largo pueden quedar atrapados en las piezas en movimiento.
 - g. **Siempre que sea posible utilizar unos equipos de aspiración o captación de polvo, asegúrese de que estén montados y de se utilicen correctamente.** El uso de equipo de recogida de polvo puede reducir los riesgos relacionados con el polvo.
 - h. **Evite que la familiaridad adquirida con el uso frecuente de las herramientas le haga confiarse demasiado e ignorar las normas de seguridad de las herramientas.** Un descuido puede causar lesiones graves en una fracción de segundo.
- 4. Uso y cuidado de herramientas eléctricas**
- a. **No sobrecargue la herramienta eléctrica. Use la herramienta eléctrica correcta para su trabajo.** La herramienta eléctrica correcta funcionará mejor y con mayor seguridad si se utiliza de acuerdo con sus características técnicas.
 - b. **No utilice la herramienta eléctrica si no se puede encender y apagar con el interruptor.** Toda herramienta eléctrica que no pueda controlarse con el interruptor es peligrosa y debe ser reparada.
 - c. **Desconecte el enchufe de la herramienta eléctrica de la fuente de alimentación y/o la batería antes de realizar cualquier ajuste, cambiar accesorios o guardar la herramienta.** Dichas medidas de seguridad preventivas reducen el riesgo de poner en marcha accidentalmente la herramienta eléctrica.
 - d. **Guarde las herramientas eléctricas fuera del alcance de los niños y no permita que la utilicen las personas no familiarizadas con su uso o con estas instrucciones.** Las herramientas eléctricas son peligrosas en manos de personas no capacitadas.
 - e. **Realice el mantenimiento de sus herramientas eléctricas. Compruebe que las piezas móviles no estén desalineadas ni atascadas, que no haya piezas rotas y cualquier otra condición que pudiera afectar al funcionamiento de la herramienta eléctrica. Si la herramienta eléctrica está dañada, llévela para que sea reparada antes de utilizarla.** Se ocasionan muchos accidentes por el mal mantenimiento de las herramientas eléctricas.
 - f. **Mantenga las herramientas de corte limpias y afiladas.** Hay menos probabilidad de que las herramientas de cortar con bordes afilados se bloqueen, y son más fáciles de controlar.
 - g. **Utilice la herramienta eléctrica, los accesorios, los útiles de la herramienta, etc. de acuerdo con estas instrucciones, y tenga en cuenta las condiciones de trabajo y la tarea que va a realizar.** El uso de la herramienta eléctrica para operaciones que no sean las previstas puede ocasionar una situación peligrosa.
 - h. **Mantenga las empuñaduras y superficies de agarre secas, limpias y libres de aceite y grasa.** Las

empuñaduras resbalosas y las superficies engrasadas impiden aferrar y controlar la herramienta en situaciones imprevistas.

5. Uso y cuidado de la herramienta de baterías

- Recárguela solo con el cargador especificado por el fabricante.** Un cargador adecuado para un tipo de batería puede provocar riesgos de incendios al ser utilizado con otra batería.
- Utilice las herramientas eléctricas solamente con las baterías recomendadas.** El uso de otras baterías puede suponer un riesgo de incendio y lesiones.
- Cuando no utilice la batería, manténgala alejada de objetos de metal como clips para papel, monedas, llaves, clavos, tornillos y otros pequeños objetos metálicos que pueden realizar una conexión de un terminal a otro.** Si se produce un cortocircuito entre los terminales de la batería, pueden ocasionarse incendios o quemaduras.
- En caso de uso abusivo puede salir líquido de la batería, evite el contacto. Si se produce un contacto accidental, lave con agua. Si el líquido se pone en contacto con los ojos, acuda además a un médico.** El líquido expulsado de la batería podrá provocar irritaciones o quemaduras.
- Siga las instrucciones de carga y no cargue la batería o la herramienta fuera del rango de temperatura especificada en las instrucciones.** La carga incorrecta o fuera del rango de temperatura especificado puede dañar la batería y aumentar el riesgo de incendio.

6. Reparaciones

- Esta herramienta eléctrica solo la puede reparar personal técnico autorizado que emplee exclusivamente piezas de repuesto originales.** Así se asegurará que se mantenga la seguridad de la herramienta eléctrica.
- Nunca repare la batería si está dañada.** La reparación de la batería puede ser efectuada únicamente por el fabricante o los proveedores de servicio autorizados.

Advertencias de seguridad adicionales para herramientas eléctricas



Advertencia. Instrucciones de seguridad adicionales para podadoras

- ◆ **Mantenga todas las partes del cuerpo alejadas de la cadena mientras la motosierra esté funcionando. Antes de encender la motosierra, asegúrese de que la cadena de la sierra no está en contacto con ningún objeto.** Un momento de distracción durante la utilización

de la motosierra puede hacer que la ropa o alguna parte del cuerpo queden atrapados en la motosierra.

- ◆ **Sujete siempre la motosierra con la mano derecha en la empuñadura trasera y la mano izquierda en la delantera.** Nunca sujete la motosierra con la posición contraria de las manos, puesto que aumenta el riesgo de que se produzcan lesiones personales.
- ◆ **Sujete la herramienta eléctrica únicamente por la superficie de agarre aislada, ya que la motosierra podría entrar en contacto con algún cable oculto.** Si alguna cadena de la sierra entra en contacto con un cable conectado a la red eléctrica, puede hacer que las piezas metálicas expuestas de la herramienta eléctrica transmitan la electricidad y produzcan una descarga eléctrica al usuario.
- ◆ **Lleve siempre gafas protectoras y protectores para los oídos. Se recomienda el uso de un equipo de protección para cabeza, manos, piernas y pies.** El uso de ropa de protección adecuada reduce las lesiones a las personas causados por residuos volantes o contacto accidental con la cadena de la sierra.
- ◆ **No utilice la motosierra en un árbol.** El uso de la herramienta mientras está subido en un árbol puede provocar lesiones personales.
- ◆ **Mantenga siempre un apoyo firme en el suelo y utilice la motosierra solo cuando se encuentre sobre una superficie fija, segura y regular.** Las superficies resbaladizas o inestables como, por ejemplo, las escaleras, pueden provocar la pérdida del equilibrio o el control de la motosierra.
- ◆ **Cuando corte una rama sometida a tensión, tenga cuidado con la fuerza de contragolpe.** Cuando se libera la tensión de las fibras de madera, la rama cargada a modo de resorte podría golpear al operador y/o arrojar la motosierra fuera de su alcance.
- ◆ **Tenga sumo cuidado cuando corte matorrales o árboles jóvenes.** El material más delgado puede engancharse en la cadena de la sierra y darle un latigazo o desequilibrarle.
- ◆ **Transporte la motosierra sostenida por la empuñadura delantera, apagada y alejada del cuerpo. Al transportar o guardar la motosierra encaje la cubierta de la barra guía.** Una manipulación adecuada de la motosierra reducirá las posibilidades de que se produzca un contacto accidental con la cadena de la sierra en movimiento.
- ◆ **Siga las instrucciones para lubricar, tensar la cadena y cambiar los accesorios.** Si la cadena está incorrectamente tensada o lubricada puede romperse o aumentar el riesgo de que se produzca un contragolpe.
- ◆ **Mantenga las asas secas, limpias y libres de aceite y grasa.** Las asas con grasa o aceite son resbaladizas y pueden provocar la pérdida de control.

- ◆ **Corte únicamente madera. No utilice la motosierra para objetivos diferentes a los previstos.** Por ejemplo, no utilice la motosierra para cortar plástico, mampostería o materiales de construcción que no sean de madera. El uso de la motosierra para trabajos diferentes de aquellos para los que han sido concebidas puede resultar peligroso.

Causas de contragolpe y prevención para el operador

Es posible que se produzca un contragolpe cuando la boca o la punta de la barra guía toca un objeto, o cuando la madera la rodea y se engancha con la cadena de la sierra durante el corte.

En algunos casos el contacto con la punta puede provocar una reacción inversa y repentina, levantando y bajando la barra guía hacia el usuario. Es posible que si pellizca la cadena de la sierra a lo largo de la parte superior de la barra guía, ésta puede retroceder rápidamente hacia el usuario. Cualquiera de estas reacciones puede provocar la pérdida del control de la motosierra y ocasionar lesiones personales graves. No confíe únicamente en los dispositivos de seguridad incorporados en la motosierra. Como usuario de la motosierra, debe tomar precauciones para evitar accidentes durante el uso de la herramienta.

El contragolpe se debe a la utilización inadecuada y/o procedimientos o condiciones de trabajo incorrectos y puede evitarse tomando las precauciones que se detallan a continuación:

- ◆ **Aferre firmemente las empuñaduras de la motosierra rodeándolas con los pulgares y el resto de los dedos. Con las dos manos en la motosierra, coloque el cuerpo y el brazo de modo que le permitan resistir las fuerzas de contragolpe.** Si se toman las precauciones adecuadas, el operador puede controlar los contragolpes. No desatienda la motosierra.
- ◆ **No se estire demasiado y no realice cortes por encima de la altura del hombro.** De este modo, evitará el contacto accidental con la punta y ayudará a controlar mejor la motosierra en situaciones inesperadas.
- ◆ **Utilice únicamente las barras guía y las cadenas de repuesto especificadas por el fabricante.** Las barras guía y cadenas de repuesto colocadas de forma incorrecta pueden provocar roturas y/o contragolpes de la cadena.
- ◆ **Siga las instrucciones del fabricante para el afilado y el mantenimiento de la cadena de la sierra.** La disminución de la altura del profundímetro puede ocasionar el aumento de los contragolpes.
- ◆ **Golpear metales, cemento u otros materiales duros que estén cerca de la madera o clavados en la misma puede producir un contragolpe.**

- ◆ **Una cadena floja o suelta puede producir un contragolpe.**
- ◆ **No intente insertar la herramienta en un corte anterior, pues se puede producir un contragolpe.** Realice un nuevo corte cada vez.
- ◆ **Recomendamos vivamente que los usuarios principiantes obtengan instrucciones prácticas de otro usuario con más experiencia en el uso de la motosierra y del equipo de protección.** La práctica inicial debe completarse con el aserrado de troncos sobre un soporte o un caballete de aserrar.
- ◆ **Recomendamos que, antes de transportar la motosierra, extraiga la batería y compruebe que la cadena de la sierra está orientada hacia atrás.**
- ◆ **Realice el mantenimiento de la motosierra cuando no la utilice. Cuando guarde la motosierra y no la vaya a utilizar durante un determinado tiempo, desmonte primero la cadena de la sierra y la barra guía, que deberá conservar sumergidas en aceite.** Guarde todas las piezas de la motosierra en un lugar seco y seguro, fuera del alcance de los niños.
- ◆ **Recomendamos purgar el depósito de aceite antes de guardar la herramienta.**
- ◆ **Asegúrese de tener los pies bien apoyados y prevea una vía de escape segura en caso de caída de árboles o ramas.**
- ◆ **Use cuñas para ayudar a controlar el apeo y evitar que la cadena y la barra guía queden bloqueadas en la madera.**
- ◆ **Cuidado de la cadena de la sierra. Mantenga la cadena de la sierra afilada y bien encajada en la barra guía. Asegúrese de que la cadena de la sierra y la barra guía estén limpias y bien lubricadas.** Mantenga las empuñaduras secas, limpias y libres de aceite y grasa.
- ◆ **Asegúrese de que haya otra persona cerca (pero a una distancia segura) en caso de accidente.**
- ◆ **Si por alguna razón tiene que tocar la cadena de la sierra, asegúrese de que la motosierra tenga la batería desconectada.**
- ◆ **El ruido de este producto puede superar 85 dB(A).** Le recomendamos, por tanto, que tome las medidas adecuadas para proteger sus oídos.
- ◆ **Al manipular el producto, es posible que se caliente la barra de la cadena.** Manipúlela con cuidado.
- ◆ **Mantenga los cables de prolongación alejados de los elementos de corte.**

Seguridad de otras personas

- ◆ Ninguna persona (incluidos los niños a partir de 8 años de edad) con capacidades físicas, sensoriales o mentales disminuidas, o que carezca de experiencia y conocimientos, debe utilizar este aparato, salvo que haya recibido supervisión o formación con respecto al uso del aparato

de una forma segura y que comprenda los peligros que entraña. Los niños no deben jugar con el aparato. Ningún niño deberá realizar las tareas de limpieza y mantenimiento, salvo que lo hagan bajo supervisión

- ◆ Los niños deben vigilarse en todo momento para garantizar que el aparato no se tome como elemento de juego.

Riesgos residuales

El uso de esta herramienta puede producir riesgos residuales adicionales no incluidos en las advertencias de seguridad adjuntas. Estos riesgos se pueden generar por un uso incorrecto, demasiado prolongado, etc.

El cumplimiento de las normas de seguridad correspondientes y el uso de dispositivos de seguridad no evitan ciertos riesgos residuales. Dichos riesgos incluyen:

- ◆ Lesiones producidas por el contacto con piezas móviles o giratorias.
- ◆ Lesiones producidas al cambiar cualquier pieza, hoja o accesorio.
- ◆ Lesiones producidas por el uso prolongado de una herramienta. Si utiliza una herramienta durante períodos de tiempo demasiado prolongados, asegúrese de realizar pausas con frecuencia.
- ◆ Deterioro auditivo.
- ◆ Riesgos para la salud causados por la respiración del polvo generado por el uso de la herramienta (por ejemplo, al trabajar con madera, especialmente roble, haya o tablero semiduro de fibras).

Vibración

Los valores de emisión de vibraciones declarados en el apartado de características técnicas y en la declaración de conformidad se han calculado según un método de prueba estándar proporcionado por la norma EN 60745 y podrán utilizarse para comparar una herramienta con otra. El valor de emisión de vibraciones especificado también puede utilizarse en una evaluación preliminar de la exposición.

Advertencia. El valor de emisión de vibraciones durante el funcionamiento real de la herramienta eléctrica puede diferir del valor declarado en función de cómo se utilice dicha herramienta. El nivel de las vibraciones puede aumentar por encima del nivel declarado.

Al evaluar la exposición a las vibraciones con el fin de determinar las medidas de seguridad que exige la directiva 2002/44/CE para proteger a las personas que utilizan periódicamente herramientas eléctricas en el entorno laboral, deberá tenerse en cuenta una estimación de la exposición a las vibraciones, las condiciones de uso reales y el modo de empleo de la herramienta, así como los pasos del ciclo operativo como, por ejemplo, el número de veces que la herramienta se apaga, el tiempo que está parada y el tiempo de activación.

Podar

Antes de intentar podar un árbol, asegúrese de que no existen ordenanzas o normas municipales que prohíban o controlen la tala de árboles.

- ◆ Tenga en cuenta la dirección en la que pueden caer las ramas. Considere todas las condiciones que puedan influir en la dirección de caída, incluidas las siguientes:
 - ◆ la longitud y el peso de la rama que va a cortar;
 - ◆ la dirección de caída prevista;
 - ◆ cualquier putrefacción o estructura de rama pesada y poco común;
 - ◆ la presencia de árboles circundantes y obstáculos,
 - ◆ como líneas de teléfono o de tendido eléctrico;
 - ◆ las ramas que se entrelazan;
 - ◆ la velocidad y dirección del viento.
- ◆ Tenga en cuenta el acceso a la rama del árbol.

Es probable que las ramas oscilen hacia el tronco. Además del usuario, cualquier persona, edificio u objeto que se encuentre debajo de la rama corre el riesgo de resultar golpeado por esta al caer.

Etiquetas en la herramienta

Junto con el código de la fecha, en la herramienta aparecen los siguientes pictogramas:



¡Advertencia! Para reducir el riesgo de lesiones, el usuario debe leer el manual de instrucciones.



No exponga la herramienta a la lluvia ni a la humedad.



Tenga cuidado con los objetos que puedan caerse. Mantenga alejadas a otras personas.



Peligro de electrocución. Manténgase a una distancia mínima de 10 m de las líneas de teléfono o de tendido eléctrico.



Lleve siempre protección para la cabeza y los ojos.



Lleve calzado de seguridad antideslizante.



A fin de garantizar un funcionamiento seguro continuo, compruebe la tensión de la cadena siguiendo el procedimiento que se describe en este manual cada 10 minutos de uso y ajústela según sea necesario para que disponga de un huelgo de 3 mm. Lubrique la cadena al cabo de cada 10 minutos de uso.



Dirección de rotación de la cadena.



Advertencia. No toque la cadena en el punto de eyección de las astillas.

Instrucciones de seguridad adicionales para baterías y cargadores

Baterías

- ◆ Jamás trate de abrir las baterías por ningún motivo.
- ◆ No exponga las baterías al agua.
- ◆ No guarde la batería en lugares en los que la temperatura pueda superar los 40 °C.
- ◆ Recargue la batería únicamente a una temperatura ambiente entre 10 °C y 40 °C.
- ◆ Utilice únicamente el cargador suministrado con la herramienta para realizar la carga.
- ◆ Cuando vaya a desechar la batería, siga las instrucciones facilitadas en la sección "Protección del medioambiente".
- ◆ No dañe ni deforme el paquete de baterías mediante perforaciones o golpes pues pueden producirse riesgos de lesiones o incendio.
- ◆ No cargue baterías dañadas.
- ◆ En condiciones extremas, pueden producirse fugas del líquido de la batería. Si nota que se producen fugas en las baterías, limpie con cuidado el líquido con un paño. Evite el contacto con la piel.
- ◆ En caso de contacto con la piel o los ojos, siga las instrucciones facilitadas a continuación.

¡Advertencia! El líquido de la batería puede provocar lesiones o daños materiales. En caso de contacto con la piel, lave la zona afectada con agua inmediatamente. Si se produce enrojecimiento, dolor o irritación, solicite atención médica. En caso de contacto con los ojos, lave la zona inmediatamente con agua limpia y solicite atención médica.

Cargadores

El cargador ha sido diseñado para un voltaje específico. Compruebe siempre que el voltaje de la red eléctrica corresponda al valor indicado en la placa de características.

- ◆ Solo debe utilizar el cargador BLACK+DECKER para cargar la batería en herramienta con la que se suministró. Otras baterías podrían explotar y provocar lesiones y daños materiales.
- ◆ Nunca intente cargar baterías no recargables.
- ◆ Sustituya los cables defectuosos inmediatamente.
- ◆ No exponga el cargador al agua.
- ◆ No abra el cargador.
- ◆ No aplique ningún dispositivo para medir la resistencia del cargador.
- ◆ El cargador debe colocarse en una zona bien ventilada durante la carga.

Carga de la batería (fig. A)

El cargador muestra los siguientes símbolos:



El cargador ha sido concebido para utilizarse únicamente en un lugar interior.



Lea el manual de instrucciones antes de usar el producto.

Seguridad eléctrica



El cargador presenta un aislamiento doble; por lo tanto, no se requiere conexión a tierra. Compruebe siempre que el voltaje de la red eléctrica corresponda al valor indicado en la placa de características. No intente sustituir el cargador por un enchufe convencional para la red eléctrica.

- ◆ Si se daña el cable de alimentación, el fabricante o un centro de servicio técnico autorizado de BLACK+DECKER deberán sustituirlo para evitar riesgos.

Características

Este aparato incluye una o más de las siguientes características.

1. Interruptor de encendido/apagado
2. Botón de desbloqueo
3. Empuñadura principal
4. Hoja
5. Cubierta de la rueda dentada
6. Barra guía
7. Cadena
8. Funda de la cadena
9. Botella de lubricación
10. Tubo de extensión
11. Batería

Fig. A

12. Cargador

Ensamblaje

¡Advertencia! Antes de proceder al montaje, extraiga la batería de la herramienta.

Inserción y extracción de la batería (Fig. B)

- ◆ Para insertar la batería (11), alíneela con el receptáculo de la herramienta. Deslice la batería dentro del receptáculo y empujela hasta que encaje en su sitio.
- ◆ Para extraer la batería, pulse los botones de liberación (13) a la vez que tira de la batería para extraerla del receptáculo.

¡Advertencia! A fin de evitar que se ponga en funcionamiento accidentalmente, asegúrese de que la batería no esté instalada y que la funda de la cadena esté colocada en la cadena de la sierra antes de llevar a cabo cualquiera de las operaciones siguientes. No hacerlo podría provocar graves lesiones personales.

Colocación de la cabeza de la sierra (Fig. C)

Colocación de la cabeza de la sierra (Fig. C) La cabeza de la sierra puede colocarse directamente en la empuñadura para obtener un alcance estándar.

- ◆ Haga coincidir la ranura del exterior del extremo del acoplamiento de la empuñadura (3) con la lengüeta del interior del extremo del acoplamiento de la cabeza de la sierra (4). Empuje la cabeza de la sierra (4) hacia la empuñadura (3).
- ◆ Deslice el collarín (14) hacia abajo y gírelo hacia la derecha hasta que quede totalmente apretado.

¡Advertencia! Compruebe periódicamente las conexiones para asegurarse de que se encuentren firmemente apretadas.

Extensión de la cabeza de la sierra (Fig. D)

El alcance máximo puede obtenerse colocando el tubo de extensión (10) entre la cabeza de la sierra (4) y la empuñadura (3).

- ◆ Haga coincidir la ranura del exterior del extremo del acoplamiento de la empuñadura (3) con la lengüeta del interior del extremo del acoplamiento del tubo de extensión (10).
- ◆ Empuje el tubo de extensión (10) hacia la empuñadura (3).
- ◆ Deslice el collarín (15) hacia abajo y gírelo hacia la derecha hasta que quede totalmente apretado.
- ◆ Haga coincidir la ranura del exterior del extremo del acoplamiento del tubo de extensión (10) con la lengüeta del interior del extremo del acoplamiento de la cabeza de la sierra (4).
- ◆ Empuje la cabeza de la sierra (4) hacia el tubo de extensión (10).
- ◆ Deslice el collarín (14) hacia abajo y gírelo hacia la derecha hasta que quede totalmente apretado.

¡Advertencia! Compruebe periódicamente las conexiones para asegurarse de que se encuentren firmemente apretadas.

Extracción de la cabeza de la sierra (Fig. C y D)

Si el tubo de extensión (10) se encuentra instalado, será necesario extraer la cabeza de la sierra en primer lugar.

- ◆ Para extraer la cabeza de la sierra (4), apoye la empuñadura (3) en el suelo, afloje el collarín (14) y extraiga la cabeza de la sierra.

Uso

¡Advertencia! Deje que la herramienta funcione a su ritmo. No la sobrecargue.

Carga de la batería - Figura A

Es necesario cargar la batería antes del primer uso y cada vez que note que no dispone de suficiente potencia para tareas que antes realizaba con facilidad. Es posible que la

batería se caliente durante la carga; esto es normal y no denota ningún problema.

¡Advertencia! No cargue la batería si la temperatura ambiente es inferior a 10 °C o superior a 40 °C. La temperatura de carga recomendada es de aproximadamente 24 °C.

Nota: El cargador no cargará la batería si la temperatura de esta es inferior a 10 °C o superior a 40 °C aproximadamente.

Deje la batería en el cargador y este empezará a cargarla automáticamente cuando la temperatura de la batería aumente o disminuya.

- ◆ Para cargar la batería (11), extráigala de la herramienta e insértela en el cargador (12). La batería encaja en el cargador solo en un sentido. No la fuerce. Asegúrese de que la batería queda perfectamente encajada en el cargador.
- ◆ Enchufe el cargador y conéctelo a la red eléctrica.
- ◆ El indicador de carga (24) parpadeará en verde de forma continua (lentamente).

La carga habrá finalizado cuando el indicador de carga (24) se ilumine en verde de manera continua. El cargador y la batería pueden dejarse conectados en modo indefinido con el LED iluminado. El indicador LED pasará a parpadear en verde (estado de carga), ya que el cargador completa la carga de la batería ocasionalmente. El indicador de carga (24) permanecerá encendido siempre que la batería esté conectada al cargador y este último permanezca enchufado.

- ◆ Cargue las baterías descargadas en el plazo de 1 semana. La duración de la batería disminuirá considerablemente si se guarda descargada.

Dejar la batería en el cargador

El cargador y la batería pueden permanecer conectados durante un periodo de tiempo indefinido con el indicador LED iluminado. El cargador mantendrá la batería fresca y totalmente cargada.

Diagnóstico del cargador

Si el cargador detecta que la batería dispone de poca energía o está dañada, el indicador de carga (24) parpadeará en rojo a gran velocidad. Proceder como sigue:

- ◆ Vuelva a insertar la batería (11).
- ◆ Si los indicadores de carga siguen parpadearo en rojo a gran velocidad, utilice otra batería para determinar si el proceso de carga se efectúa correctamente.
- ◆ Si la batería sustituida se carga correctamente, significa que la batería original es defectuosa, por tanto debe devolverla al centro de servicio para su reciclaje.
- ◆ Si la nueva batería da la misma indicación que la original, lleve a controlar el cargador a un centro de servicios autorizado.

Nota: puede llevar hasta 60 minutos determinar si la batería es defectuosa. Si la batería está demasiado caliente o

demasiado fría, el indicador LED alternará parpadeos en rojo, rápidos y lentos, con un destello en cada rango de velocidad, y se repetirá la secuencia.

Encendido y apagado (Fig. E)

Por razones de seguridad, esta herramienta está equipada con un sistema de dos interruptores. Este sistema impide que la herramienta se ponga en marcha accidentalmente.

Encendido

- ◆ Pulse el botón de desbloqueo (2) hacia atrás usando el dedo pulgar y presione al mismo tiempo el botón de encendido/apagado (1).
- ◆ Suelte el botón de desbloqueo (2).

Apagado

- ◆ Suelte el interruptor de encendido/apagado (1).

¡Advertencia! No intente nunca trabar un interruptor en la posición de encendido.

Poda (fig. F)

- ◆ Antes de efectuar un corte, asegúrese de que la herramienta esté funcionando a plena velocidad.
- ◆ Sujete la herramienta firmemente para evitar que rebote o se mueva hacia los costados. Ejercer una ligera presión para guiar la herramienta a través de la rama. Cuando corte ramas pesadas en las que un corte parcial pueda astillar y dañar el árbol, haga lo siguiente:
 - ◆ Realice el primer corte a 15 cm desde el tronco del árbol en la parte inferior de la rama. Utilice la parte superior de la barra guía (6) para efectuar este corte.
 - ◆ Corte un tercio del diámetro de la rama. A continuación, corte de arriba abajo.

Limpieza, mantenimiento y almacenamiento

Este aparato o herramienta con o sin cable de BLACK+DECKER se ha diseñado para que funcione durante un largo período de tiempo con un mantenimiento mínimo. El funcionamiento satisfactorio continuado depende de un cuidado apropiado y una limpieza periódica de la herramienta.

¡Atención! Antes de realizar el mantenimiento de herramientas eléctricas con o sin cables:

- ◆ Apague y desenchufe el aparato o herramienta.
- ◆ O apague y extraiga la batería del aparato o herramienta si es que cuenta con una batería separada.
- ◆ O bien, deje que la batería se agote por completo si es integral y, a continuación, apague el aparato.
- ◆ Desenchufe el cargador antes de limpiarlo. El cargador no requiere ningún mantenimiento especial excepto la limpieza.

Limpie periódicamente las ranuras de ventilación de la herramienta, aparato o cargador con un cepillo suave o un paño seco.

Limpie periódicamente la carcasa del motor con un paño húmedo. No utilice limpiadores de base abrasiva o disolventes.

Abra regularmente el portabrocas y golpéelo suavemente para eliminar los restos de polvo que haya en su interior (si se encuentra colocado).

Después de su utilización y antes del almacenamiento

- ◆ Limpie periódicamente las ranuras de ventilación con un cepillo limpio y seco.
- ◆ Para limpiar la herramienta, utilice únicamente jabón suave y un paño húmedo. Evite que penetre líquido en el interior de la herramienta y nunca sumerja ninguna parte de esta en líquido.
- ◆ Extraiga los restos de suciedad con la ayuda de un cepillo de cerdas duras.
- ◆ Lubrique la cadena con aceite.

Instalación y extracción de la cadena de sierra (figs. G y H)

¡Advertencia! Utilice siempre guantes de protección cuando instale o retire la cadena de la sierra. Dicha pieza está afilada y puede provocar cortes cuando la herramienta no está en funcionamiento.

- ◆ Coloque la herramienta sobre una superficie sólida y estable.
- ◆ Afloje los tornillos (16) con la llave Allen suministrada. Extraiga los tornillos.
- ◆ Extraiga la cubierta de la rueda dentada (5) y la pinza de la barra (17).
- ◆ Gire el tornillo (18) en sentido contrario a las agujas del reloj para permitir el retroceso de la barra guía (6) y que se reduzca la tensión en la cadena de sierra (7).
- ◆ Extraiga la cadena de sierra usada de la rueda dentada (19) y la barra guía (6).
- ◆ Coloque la cadena nueva en la ranura de la barra guía y alrededor de la rueda dentada. Asegúrese de que los dientes estén orientados en la dirección correcta haciendo coincidir la flecha de la cadena con la flecha de la carcasa.
- ◆ Asegúrese de que la ranura (20) de la barra guía esté situada sobre los pasadores de posición (21) y que el orificio (22) ubicado bajo la ranura queda colocado sobre el pasador de ajuste (23).
- ◆ Vuelva a colocar la cubierta de la rueda dentada (5), la pinza de la barra (17) y los tornillos (16).
- ◆ Apriete los tornillos (16) con la llave Allen suministrada.
- ◆ Ajuste la tensión de la cadena tal como se describe a continuación.

A fin de garantizar un funcionamiento seguro continuo, la cadena y la barra guía deberán ser reemplazadas únicamente con piezas originales de BLACK+DECKER. Número de

cadena de repuesto, A6158; número de barra guía de repuesto 623381-00.

Comprobación y ajuste de la tensión de la cadena (fig. G)

- ◆ Compruebe la tensión de la cadena de sierra. La tensión es correcta cuando la cadena de sierra (7) vuelve a su posición inicial después de separarla 3 mm de la cadena de sierra simplemente con los dedos. No debe haber "comba" alguna entre la barra guía (6) y la cadena de sierra (7) en la parte inferior..

Para ajustar la tensión:

- ◆ Afloje los tornillos (16).
- ◆ Gire el tornillo (18) en la dirección de las agujas del reloj.

¡Advertencia! No tense demasiado la cadena, ya que provocará un desgaste excesivo y se reducirá la vida útil de la barra y de la cadena.

- ◆ Una vez ajustada la tensión correcta, apriete los tornillos (18).

¡Advertencia! Cuando utilice una cadena de sierra nueva, compruebe la tensión con frecuencia durante las primeras dos horas de uso, ya que una cadena de sierra nueva se expande ligeramente.

Engrase de la cadena

Es necesario lubricar la cadena de sierra antes de cada utilización y después de limpiarla, utilizando únicamente el grado correcto de aceite (número de catálogo A6027).

- ◆ Lubrique toda la cadena de sierra (7) de manera uniforme con el aplicador (9).

Almacenamiento

Si la herramienta no se va a utilizar durante varios meses, lo ideal es dejar la batería conectada al cargador.

En caso contrario, realice el procedimiento siguiente:

- ◆ Cargue completamente la batería.
- ◆ Extraiga la batería de la herramienta.
- ◆ Almacene la herramienta y la batería en un lugar seguro y seco.
- ◆ La temperatura de almacenamiento siempre debe estar comprendida entre +10 °C y +40 °C. Coloque la batería en una superficie nivelada.
- ◆ Antes de utilizar la herramienta después de un período de almacenamiento prolongado, vuelva a cargar completamente la batería.

Protección del medioambiente



Recogida selectiva. Los productos y las baterías marcadas con este símbolo no se deben eliminar con los residuos domésticos normales.

Los productos y las baterías que contienen materiales que se puedan recuperar o reciclar reducen la demanda de materias primas.

Recicle los productos eléctricos y las baterías de conformidad con la normativa local.

Puede obtener más información en www.2helpU.com

Datos técnicos

PS1820ST1, PS1820L1 H2		
Voltaje	V _{DC}	18
Velocidad de la cadena (sin carga)	m/s	190
Longitud máxima de corte	cm	17
Peso	kg	3,5
Batería BL2518		
Voltaje	V _{DC}	18
Capacidad	Ah	2,5
Tipo		iones de litio
Cargador 906068**		
Voltaje de entrada	V _{AC}	230
Voltaje de salida	Ah	18
Corriente de salida	mA	2000

Nivel de la presión sonora, medida según EN 60745:

L_{PA} (presión de sonora) 78 dB(A), incertidumbre (K) 3 dB(A)
L_{WA} (presión de sonora) 98 dB(A), Incertidumbre (K) 3 dB(A)

Valores totales de vibración (suma vectorial triaxial) de acuerdo con la directiva EN 60745:

Corte de madera suave recién talada (a_{h,w}) <2,5 m/s², incertidumbre (K) 1,5 m/

Declaración de conformidad CE DIRECTIVA DE MÁQUINAS



PS1820ST1, PS1820L1 – sierra podadora

Black & Decker declara que los productos descritos en "datos técnicos" cumplen con las siguientes normas:

EN 60745-1:2009 +A11:2010, EN ISO 11680-1:2011

Estos productos también cumplen las Directivas 2006/42/CE, 2014/30/UE y 2011/65/UE

Para más información, póngase en contacto con Black & Decker en la siguiente dirección o consulte la parte posterior del manual.

El abajo firmante es el responsable de la compilación del archivo técnico y realiza esta declaración en representación de Black & Decker.



A. Smith
 Technical Director
 Black & Decker Europe, 210 Bath Road, Slough,
 Berkshire, SL1 3YD
 Reino Unido
 15/01/2019

Garantía

Black & Decker confía en la calidad de sus productos y ofrece a los consumidores una garantía de 24 meses a partir de la fecha de compra. Esta garantía es adicional a sus derechos legales y no los menoscaba en modo alguno. La garantía es válida dentro de los territorios de los Estados Miembros de la Unión Europea y del Área de Libre Comercio Europea.

Para reclamar la garantía, la reclamación se debe presentar de conformidad con las condiciones de Black & Decker. Tendrá que adjuntar un justificante de compra al vendedor o al agente técnico autorizado. Las condiciones de la garantía de 2 años de Black & Decker y la ubicación de su agente técnico autorizado más cercano se pueden obtener en Internet en www.2helpU.com o poniéndose en contacto con su oficina local de Black & Decker en la dirección que se indica en este manual.

Visite nuestro sitio web www.blackanddecker.co.uk para registrar su nuevo producto Black & Decker y recibir noticias sobre nuevos productos y ofertas especiales.

Utilização pretendida

A podadora com mastro PS1820ST1, PS1820L1 da BLACK+DECKER™ foi concebida para podar árvores. Esta ferramenta destina-se apenas a utilização doméstica. O carregador BLACK+DECKER foi concebido para carregar baterias BLACK+DECKER do tipo fornecido com esta ferramenta.

Instruções de segurança

Avisos de segurança gerais para ferramentas elétricas



Atenção! Leia todos os avisos de segurança e todas as instruções. O não cumprimento dos seguintes avisos e instruções pode resultar em choque elétrico, incêndio e/ou ferimentos graves.

Guarde todos os avisos e instruções para futura referência. A expressão "ferramenta elétrica" utilizada a seguir refere-se a ferramentas elétricas com ligação à corrente elétrica (com cabo) ou com bateria (sem fios).

1. **Segurança na área de trabalho**
 - a. **Mantenha a área de trabalho limpa e bem iluminada.** As áreas desorganizadas ou escuras são propensas a acidentes.
 - b. **Não trabalhe com ferramentas elétricas em áreas com risco de explosão, nas quais se encontrem líquidos, gases ou poeiras inflamáveis.** As ferramentas elétricas criam faíscas que poderão inflamar estas poeiras ou vapores.
 - c. **Mantenha crianças e outras pessoas afastadas durante a utilização da ferramenta elétrica.** As distrações podem levar à perda do controlo da ferramenta.
2. **Segurança eléctrica**
 - a. **As fichas da ferramenta eléctrica devem encaixar na tomada. Nunca modifique a ficha de forma alguma. Não utilize fichas adaptadoras com ferramentas eléctricas ligadas à terra.** As fichas não modificadas e as tomadas compatíveis reduzem o risco de choque eléctrico.
 - b. **Evite que o corpo entre em contacto com superfícies ligadas à terra, como tubos, radiadores, fogões e frigoríficos.** Se o seu corpo estiver "ligado" à terra, o risco de choque eléctrico é maior.
 - c. **As ferramentas eléctricas não podem ser expostas a chuva nem humidade.** A entrada de água numa ferramenta eléctrica aumenta o risco de choque eléctrico.
 - d. **Manuseie o cabo com cuidado. Nunca o utilize para transportar, puxar ou desligar a ferramenta eléctrica. Mantenha o cabo afastado de fontes de calor,**

substâncias oleosas, arestas afiadas ou peças móveis. Os cabos danificados ou emaranhados aumentam o risco de choque elétrico.

- e. **Quando trabalhar com uma ferramenta elétrica ao ar livre, utilize uma extensão adequada para esse fim.** A utilização de um cabo adequado para uso ao ar livre reduz o risco de choque elétrico.
- f. **Se for inevitável trabalhar com uma ferramenta elétrica num local húmido, utilize um dispositivo de corrente residual (RCD).** A utilização de um RCD reduz o risco de choque elétrico.

3. Segurança pessoal

- a. **Mantenha-se atento, observe o que está a fazer e seja prudente quando trabalhar com a ferramenta elétrica. Não utilize uma ferramenta elétrica quando estiver cansado ou sob o efeito de drogas, álcool ou medicamentos.** Um momento de distração durante a utilização de ferramentas elétricas poderá resultar em ferimentos graves.
- b. **Utilize equipamento de proteção pessoal. Use sempre uma proteção ocular.** O equipamento de proteção, como, por exemplo, uma máscara contra o pó, sapatos de segurança antiderrapantes, um capacete de segurança ou uma proteção auditiva, usado nas condições apropriadas, reduz o risco de ferimentos.
- c. **Evite arranques involuntários. Certifique-se de que o botão está desligado antes de ligar a ferramenta à corrente elétrica e/ou à bateria, e antes de levantar ou transportar a ferramenta.** Se mantiver o dedo sobre o interruptor ao transportar ferramentas elétricas ou se as ligar à fonte de alimentação com o interruptor ligado, isso poderá dar origem a acidentes.
- d. **Retire eventuais chaves de ajuste ou chaves de fendas antes de ligar a ferramenta elétrica.** Uma chave de fenda ou de ajuste que se encontre numa peça em rotação da ferramenta elétrica poderá causar ferimentos.
- e. **Não tente chegar a pontos fora do alcance. Mantenha sempre os pés bem apoiados e um equilíbrio apropriado.** Desta forma, será mais fácil controlar a ferramenta elétrica em situações inesperadas.
- f. **Use vestuário adequado. Não use roupa larga ou joias. Mantenha o cabelo, a roupa e as luvas afastados das peças móveis.** As roupas largas, as joias ou o cabelo comprido podem ficar presos nestas peças.
- g. **Se for prevista a montagem de dispositivos de extração e recolha de poeiras, assegure-se de que estão ligados e que são utilizados de forma correta.** A utilização de dispositivos de extração de partículas pode reduzir os riscos relacionados com as mesmas.
- h. **Não permita que o facto de estar familiarizado com a utilização frequente das ferramentas o torne complacente e ignore os princípios de segurança da**

ferramenta. Uma acção irreflectida pode causar ferimentos numa fracção de segundos.

4. **Utilização e manutenção da ferramenta elétrica**
- a. **Não sobrecarregue a ferramenta elétrica. Utilize a ferramenta elétrica correta para o seu trabalho.** A ferramenta elétrica adequada irá efetuar o trabalho de um modo mais eficiente e seguro se for utilizada de acordo com a capacidade para a qual foi concebida.
- b. **Não utilize a ferramenta elétrica se o interruptor não puder ser ligado ou desligado.** Qualquer ferramenta elétrica que não possa ser controlada através do interruptor de alimentação é perigosa e tem de ser reparada.
- c. **Desligue a ficha da tomada e/ou a bateria da ferramenta elétrica antes de proceder a ajustes, trocar acessórios ou guardar ferramentas elétricas.** Estas medidas de segurança preventivas reduzem o risco de ligar a ferramenta elétrica acidentalmente.
- d. **Mantenha as ferramentas elétricas que não estiverem a ser utilizadas fora do alcance das crianças. Não permita que a ferramenta elétrica seja utilizada por pessoas não familiarizadas com a mesma ou que não tenham lido estas instruções.** As ferramentas elétricas são perigosas nas mãos de pessoas que não possuam as qualificações necessárias para as manusear.
- e. **Proceda à manutenção das ferramentas elétricas. Verifique se as partes móveis estão desalinhasadas ou bloqueadas, se existem peças partidas ou qualquer outra situação que possa afetar o funcionamento das ferramentas elétricas. Se a ferramenta elétrica estiver danificada, esta não deve ser utilizada até que seja reparada.** Muitos acidentes têm como principal causa ferramentas elétricas com uma manutenção insuficiente.
- f. **Mantenha as ferramentas de corte afiadas e limpas.** As ferramentas de corte sujeitas a uma manutenção adequada, com arestas de corte afiadas, emperram com menos frequência e controlam-se com maior facilidade.
- g. **Utilize a ferramenta elétrica, os acessórios e as peças de ferramenta, etc., de acordo com estas instruções, considerando as condições de trabalho e a tarefa a ser executada.** A utilização da ferramenta elétrica para fins diferentes dos previstos poderá resultar em situações perigosas.
- h. **Mantenha os punhos e as pegas de fixação secos, limpos e sem qualquer óleo ou gordura.** Se tiver as mãos escorregadias e as superfícies com gordura, isso não permite um manuseamento e controlo seguros da ferramentas em situações inesperadas.
5. **Utilização e cuidados a ter com a ferramenta com baterias**

- a. **Carregue apenas com o carregador especificado pelo fabricante.** Um carregador adequado para um tipo de bateria pode causar um incêndio se for utilizado com outra bateria.
 - b. **Utilize ferramentas eléctricas apenas com baterias específicas.** A utilização de outras baterias pode dar origem a risco de danos e incêndio.
 - c. **Quando não utilizar a bateria, mantenha-a afastada de outros objectos metálicos, tais como cliques para papel, moedas, chaves, pregos, parafusos ou outros pequenos objectos metálicos que permitam fazer a ligação de um terminal para outro.** O curto-circuito de terminais das baterias pode causar queimaduras ou incêndio.
 - d. **Em condições abusivas, pode derramar líquido da bateria, devendo evitar o contacto. Se tocar acidentalmente no líquido, lave bem com água. Se o líquido entrar em contacto com os olhos, consulte um médico.** O líquido derramado da bateria pode causar irritação ou queimaduras.
 - e. **Não utilize uma bateria ou uma ferramenta que esteja danificada ou modificada.** As baterias danificadas ou modificadas podem ter um comportamento imprevisível, podendo dar origem a um incêndio, explosão ou risco de ferimentos.
 - f. **Não exponha a bateria ou ferramenta ao fogo ou excesso de temperatura.** A exposição ou uma temperatura superior a 130 °C pode dar origem a uma explosão.
 - g. **Siga todas as instruções de carregamento e não carregue a bateria ou a ferramenta fora da gama de temperaturas especificadas nas instruções.** Se o carregamento não for efectuado correctamente ou se a temperatura não estiverem de acordo com o limite especificado, a bateria pode ficar danificada e há um maior risco de incêndio.
- 6. Assistência**
- a. **A sua ferramenta eléctrica só deve ser reparada por pessoal qualificado e só devem ser colocadas peças sobressalentes originais.** Desta forma, é garantida a segurança da ferramenta eléctrica.
 - b. **Nunca repare baterias danificadas.** A reparação de baterias só deve ser efectuada pelo fabricante ou por fornecedor de serviços autorizado.
- ◆ **Mantenha todas as partes do corpo afastadas da corrente da serra quando a motosserra estiver em funcionamento. Antes de ligar a motosserra, certifique-se de que a corrente da serra não está em contacto com nada.** Um momento de falta de atenção durante a utilização de uma motosserra poderá fazer com que o seu vestuário ou corpo fiquem presos na ferramenta.
 - ◆ **Segure sempre a motosserra com a mão direita no punho traseiro e a mão esquerda no punho dianteiro.** Segurar a motosserra com uma disposição invertida das mãos aumenta o risco de ferimentos e tal nunca deverá ser efectuado.
 - ◆ **Segure a ferramenta eléctrica só pelas áreas isoladas, porque a corrente da serra pode entrar em contacto com a cablagem oculta.** As correntes da serra em contacto com um cabo "electrificado" poderão fazer com que as peças metálicas expostas do sistema eléctrico da ferramenta também o fiquem e provoquem um choque eléctrico no operador.
 - ◆ **Utilize óculos de segurança e protecção auditiva. É recomendada a utilização de equipamento de protecção adicional para a cabeça, mãos, pernas e pés.** Um vestuário de protecção adequado reduzirá os ferimentos causados por detritos em movimento ou pelo contacto accidental com a corrente da serra.
 - ◆ **Não utilize uma motosserra numa árvore.** A utilização de uma motosserra numa árvore poderá resultar em ferimentos.
 - ◆ **Mantenha-se sempre bem posicionado e utilize a motosserra apenas quando se encontrar numa superfície fixa, segura e nivelada.** As superfícies escorregadias ou instáveis, como, por exemplo, escadas, poderão causar uma perda do equilíbrio ou do controlo da motosserra.
 - ◆ **Quando estiver a cortar uma pernada sob tensão, esteja atento à recuperação elástica.** Quando a tensão das fibras de madeira for libertada, o ramo sob tensão pode atingir o operador e/ou provocar o descontrolo da motosserra.
 - ◆ **Tenha especial cuidado ao cortar galhos e casca de árvore.** O material fino e delgado poderá tocar na corrente da serra e saltar na sua direcção ou fazer com que se desequilibre.
 - ◆ **Transporte a motosserra pelo punho dianteiro com a motosserra desligada e afastada do seu corpo. Quando transportar ou armazenar a motosserra, coloque sempre a tampa da barra de direcção.** Um manuseamento adequado da motosserra reduzirá a probabilidade de um contacto accidental com a corrente da serra em movimento.

Avisos de segurança adicionais para ferramentas eléctricas



Atenção! Instruções de segurança adicionais para tesouras eléctricas

- ◆ **Siga as instruções relativas à lubrificação, tensão da corrente e troca de acessórios.** Uma corrente incorrectamente tensionada ou lubrificada poderá partir ou aumentar a probabilidade de contra-golpe
- ◆ **Mantenha os punhos secos, limpos e sem qualquer óleo ou gordura.** Os punhos com gorduras ou óleo são escorregadios, podendo provocar a perda de controlo.
- ◆ **Corte apenas madeira. Não utilize a motosserra para fins diferentes dos previstos.** Por exemplo: não utilize a motosserra para cortar plástico, pedra ou materiais de construção que não sejam madeira. A utilização da motosserra para outros fins que não os previstos poderá resultar em situações perigosas.

Causas do contra-golpe e prevenção a tomar pelo operador

O contra-golpe poderá ocorrer quando a frente ou ponta da barra de direcção tocar num objecto ou quando um pedaço de madeira se fechar e emperrar a corrente da serra no corte. O contacto com a ponta poderá, em alguns casos, causar uma súbita reacção inversa, empurrando a barra de direcção para cima e para trás em direcção ao utilizador. Prender a corrente da serra ao longo da parte superior da barra de direcção poderá empurrar a barra de direcção rapidamente para trás em direcção ao utilizador. Qualquer uma destas reacções poderá fazer com que perca o controlo da motosserra o que poderá causar ferimentos graves. Não dependa exclusivamente dos dispositivos de segurança integrados na sua motosserra. Como utilizador de uma motosserra, deverá efectuar diversas medidas para manter os seus trabalhos de corte isentos de acidentes ou ferimentos.

Um recuo é o resultado de uma utilização errada da ferramenta e/ou de procedimentos ou condições de utilização incorrectos, podendo ser evitado com medidas de precauções apropriadas, conforme descrito em seguida.

- ◆ **Segure com firmeza o punho, com os polegares e os dedos à volta dos punhos da motosserra. Com ambas as mãos na motosserra, posicione o corpo e o braço de modo a permitir resistência às forças de um contra-golpe.**
As forças de um contra-golpe podem ser controladas pelo utilizador, se forem tomadas medidas de precaução apropriadas. Não largue a motosserra.
- ◆ **Mantenha sempre o equilíbrio e não corte a uma altura superior à do seu ombro.** Isto ajuda a impedir um contacto involuntário da ponta e permite um melhor controlo da motosserra em situações inesperadas.
- ◆ **Utilize apenas barras de direcção e correntes de substituição especificadas pelo fabricante.** As barras de direcção e correntes de substituição incorrectas poderão originar a quebra da corrente e/ou um contra-golpe.

- ◆ **Respeite as instruções de afiação e manutenção do fabricante para a corrente da serra.** Diminuir a altura do indicador de profundidade poderá originar um contra-golpe maior.
- ◆ **Bater em metal, cimento ou outro material duro perto da madeira, ou furar a madeira, pode provocar um contra-golpe.**
- ◆ **Uma corrente desafiada ou solta pode provocar um contra-golpe.**
- ◆ **Não tente inserir a lâmina num corte feito anteriormente, porque pode causar um contra-golpe.** Faça sempre um corte novo.
- ◆ **Recomendamos que os utilizadores principiantes obtenham instruções práticas sobre a utilização da motosserra e equipamento de protecção junto de um utilizador experiente.** A prática inicial deverá ser efectuada serrando um tronco num cavalete ou andaime.
- ◆ **Quando transportar a motosserra, recomendamos que remova a bateria e se certifique de que a corrente da serra está virada para trás.**
- ◆ **Efectue a manutenção da sua motosserra quando não estiver em utilização. Não armazene a motosserra por qualquer período de tempo sem antes remover a corrente e a barra de direcção que deverão ficar mergulhadas em óleo.** Armazene todas as peças da motosserra num local seco, seguro e fora do alcance das crianças.
- ◆ **Recomendamos que drene o depósito do óleo antes de armazenar.**
- ◆ **Tenha cuidado com os passos que dá e estabeleça uma saída de segurança de uma queda de árvore ou troncos.**
- ◆ **Utilize calços para ajudar a controlar o derrubamento e para evitar o bloqueio da barra de direcção e da corrente na madeira.**
- ◆ **Cuidados a ter com a corrente. Mantenha a corrente afiada e bem colocada na barra de direcção. Certifique-se de que a corrente da serra e a barra de direcção estão limpas e bem oleadas.** Mantenha os punhos secos, limpos e sem qualquer óleo ou gordura.
- ◆ **Certifique-se de que, em caso de acidente, existe alguém por perto (mas a uma distância de segurança).**
- ◆ **Se, por qualquer motivo, tiver de tocar na corrente da serra, certifique-se de que a motosserra está desligada da tomada.**
- ◆ **O ruído produzido por este produto pode ultrapassar os 85 dB(A).** Recomendamos que tome as devidas medidas para proteger os ouvidos.
- ◆ **Ao manusear o produto, a corrente pode ficar quente.** Manuseie com cuidado.
- ◆ **Mantenha os cabos de extensão afastados dos elementos de corte.**

Segurança de terceiros

- ◆ Este aparelho pode ser utilizado por crianças a partir dos 8 anos de idade e por pessoas com capacidades físicas, sensitivas ou mentais reduzidas ou com falta de experiência e conhecimento. Desde que tenham recebido supervisão ou instruções em relação à utilização do aparelho de forma segura e entendam os perigos envolvidos.
- ◆ As crianças não deverão mexer no aparelho. A limpeza e manutenção não deverão ser efectuadas por crianças sem supervisão.

Riscos residuais

Podem surgir riscos residuais adicionais durante a utilização da ferramenta, que poderão não constar nos avisos de segurança incluídos. Estes riscos podem resultar de má utilização, uso prolongado, etc.

Mesmo com o cumprimento dos regulamentos de segurança relevantes e a implementação de dispositivos de segurança, alguns riscos residuais não podem ser evitados. Estes incluem:

- ◆ Ferimentos causados pelo contacto com peças em rotação/movimento.
- ◆ Ferimentos causados durante a troca de peças, lâminas ou acessórios.
- ◆ Ferimentos causados pela utilização prolongada de uma ferramenta. Quando utilizar uma ferramenta durante períodos prolongados, certifique-se de que faz pausas regularmente.
- ◆ Danos auditivos.
- ◆ Problemas de saúde causados pela inalação de poeiras resultantes da utilização da ferramenta (exemplo: trabalhos em madeira, especialmente carvalho, faia e MDF).

Vibração

Os valores de emissão de vibração declarados na secção de dados técnicos e na declaração de conformidade foram medidos de acordo com o método de teste padrão fornecido pela norma EN 60745 e podem ser utilizados para comparar ferramentas. O valor de emissão de vibração declarado pode ainda ser utilizado numa avaliação preliminar de exposição.

Atenção! O valor de emissão de vibração durante a utilização real da ferramenta elétrica pode ser diferente do valor declarado, dependendo da forma como a ferramenta é utilizada. O nível de vibração pode aumentar acima do nível indicado.

Quando avaliar a exposição da vibração para determinar as medidas de segurança exigidas pela Diretiva 2002/44/CE para proteger pessoas que utilizem regularmente ferramentas elétricas na sua atividade profissional, deve ser considerada uma estimativa de exposição de vibração, as condições reais de utilização e o modo de utilização da ferramenta, incluindo ainda todas as partes do ciclo de funcionamento, como os

períodos de inatividade e espera da ferramenta, além do tempo de funcionamento.

Poda

Antes de tentar podar uma árvore, certifique-se de que não existem quaisquer leis ou regulamentações locais que impeçam ou regulem o derrube da árvore.

- ◆ Esteja atento à direcção possível de queda do ramo. Analise todos os elementos que possam afectar a direcção da queda, incluindo:
 - ◆ o comprimento e peso do ramo a cortar
 - ◆ a direcção pretendida da queda
 - ◆ a existência de alguma estrutura ou apodrecimento de pearnada pesada
 - ◆ a presença de árvores e obstáculos nas proximidades,
 - ◆ incluindo linhas aéreas
 - ◆ o entrelaçamento com outros ramos
 - ◆ a velocidade e direcção do vento.
- ◆ Tenha em consideração o acesso ao ramo da árvore.

É provável que os ramos da árvore oscilem em direcção ao tronco da árvore. Para além do utilizador, todas as pessoas presentes, edifícios ou objectos debaixo do ramo correm o risco de serem atingidos pela queda do ramo.

Rótulos na ferramenta

É provável que os ramos da árvore oscilem em direcção ao tronco da árvore. Para além do utilizador, todas as pessoas presentes, edifícios ou objectos debaixo do ramo correm o risco de serem atingidos pela queda do ramo.



Atenção! Para reduzir o risco de ferimentos, o utilizador deve ler o manual de instruções.



Não exponha a ferramenta à chuva ou humidade elevada.



Tenha em atenção a possibilidade de queda de objectos. Mantenha os transeuntes afastados.



Perigo de electrocussão. Mantenha uma distância mínima de 10 m das linhas aéreas.



Utilize sempre protecção para a cabeça e olhos.



Utilize calçado de segurança anti-derrapante.



Para garantir a segurança contínua da utilização, verifique a tensão da corrente a cada 10 minutos de utilização conforme descrito neste manual, ajustando-a conforme necessário para uma distância de 3 mm. Oleie a corrente a cada 10 minutos de utilização.



Direcção de rotação da corrente.



Atenção! Não toque na corrente no ponto de ejeção das aparas.

Instruções de segurança adicionais para baterias e carregadores

Baterias

- ◆ Nunca tente abrir a bateria, seja qual for o motivo.
- ◆ Não exponha a bateria à água.
- ◆ Não armazene em locais onde a temperatura possa exceder os 40 °C.
- ◆ Carregue apenas a temperaturas ambiente entre 10 °C e 40 °C.
- ◆ Carregue apenas com o carregador fornecido com a ferramenta.
- ◆ Ao eliminar as baterias, siga as instruções indicadas na secção "Protecção do ambiente".
- ◆ Não danifique a bateria por perfuração ou impacto, pois poderá originar risco de ferimentos e incêndio.
- ◆ Não carregue baterias danificadas.
- ◆ Em condições extremas, pode ocorrer uma fuga nas baterias. Se detectar a fuga de líquido das baterias, limpe o líquido cuidadosamente com um pano. Evite o contacto com a pele.
- ◆ Em caso de contacto com a pele ou com os olhos, siga as instruções seguintes.

Atenção! O fluido da bateria pode causar ferimentos pessoais ou danos materiais. Em caso de contacto com a pele, enxágue imediatamente com água. Em caso de vermelhidão, dor ou irritação, contacte um médico. Em caso de contacto com os olhos, enxágue imediatamente com água limpa e procure ajuda médica.

Carregadores

O carregador foi concebido para uma tensão específica. Verifique sempre se a tensão de alimentação corresponde à tensão indicada na placa sinalética.

- ◆ Utilize o seu carregador BLACK+DECKER apenas para carregar a bateria da ferramenta com que foi fornecido. Outras baterias podem rebentar, provocando ferimentos e danos.
- ◆ Nunca tente carregar baterias não recarregáveis.
- ◆ Substitua os cabos defeituosos imediatamente.
- ◆ Não exponha o carregador à água.
- ◆ Não abra o carregador.
- ◆ Não manipule o interior do carregador.
- ◆ O carregador deve ser colocado numa área com boa ventilação durante o carregamento.

Símbolos no carregador

O carregador contém os seguintes símbolos de aviso:



O carregador deverá ser utilizado apenas em espaços interiores.



Antes da utilização, leia o manual de instruções.

Segurança eléctrica



O seu carregador tem isolamento duplo. Por esse motivo, não precisa de ligação à terra. Verifique sempre se a tensão de alimentação corresponde à tensão indicada na placa sinalética. Nunca tente substituir a unidade do carregador por uma tomada de alimentação normal.

- ◆ Se o cabo de alimentação estiver danificado, terá de ser substituído pelo fabricante ou por um Centro de Assistência autorizado BLACK+DECKER, de modo a evitar ferimentos.

Componentes

Este equipamento inclui algumas ou todas as seguintes características.

1. Interruptor para ligar/desligar
2. Botão de travamento
3. Cabo principal
4. Cabeça da lâmina
5. Cobertura da roda dentada
6. Barra de direcção
7. Corrente
8. Protecção da corrente
9. Frasco de lubrificante
10. Suporte de extensão
11. Bateria

Fig. A

12. Carregador

Montagem

Atenção! Antes de montar, remova a bateria da ferramenta.

Colocar e remover a bateria (fig. B)

- ◆ Para colocar a bateria (11), alinhe-a com o receptáculo na ferramenta. Deslize a bateria para dentro do receptáculo e empurre-a até que se encaixe devidamente.
- ◆ Para remover a bateria, pressione os botões de desbloqueio (13) enquanto retira, simultaneamente, a bateria do receptáculo.

Atenção! Para prevenir um funcionamento acidental, certifique-se de que a bateria é retirada e de que a protecção da corrente se encontra no sítio, na corrente antes de efectuar

as seguintes operações. Se não o fizer, poderão ocorrer ferimentos pessoais graves.

Ajustar a cabeça da lâmina (fig. C)

A cabeça da lâmina pode ser colocada directamente no cabo para obter um alcance padrão.

- ◆ Alinhe a ranhura do lado exterior da extremidade de encaixe do cabo (3) com a patilha do lado interior da extremidade de encaixe da cabeça da lâmina (4). Encaixe a cabeça da lâmina (4) no cabo (3).
- ◆ Deslize o mandril (14) para baixo e rode-o no sentido dos ponteiros do relógio até ficar completamente apertado.

Atenção! Verifique periodicamente as ligações para garantir que estão bem apertadas.

Aumentar a cabeça da lâmina (fig. D)

O alcance máximo pode ser obtido através da colocação de um suporte de extensão (10) entre a cabeça da lâmina (4) e o cabo (3).

- ◆ Alinhe a ranhura do lado exterior da extremidade de encaixe do cabo (3) com a patilha do lado interior da extremidade de encaixe do suporte de extensão (10).
- ◆ Encaixe o suporte de extensão (10) no cabo (3).
- ◆ Deslize o mandril (15) para baixo e rode-o no sentido dos ponteiros do relógio até ficar completamente apertado.
- ◆ Alinhe a ranhura do lado exterior da extremidade de encaixe do suporte de extensão (10) com a patilha do lado interior da extremidade de encaixe da cabeça da lâmina (4).
- ◆ Encaixe a cabeça da lâmina (4) no suporte de extensão (10).
- ◆ Deslize o mandril (14) para baixo e rode-o no sentido dos ponteiros do relógio até ficar completamente apertado.

Atenção! Verifique periodicamente as ligações para garantir que estão bem apertadas.

Remover a cabeça da lâmina (fig. C e D)

Se o suporte de extensão (10) estiver colocado, a cabeça da lâmina tem de ser removida primeiro.

- ◆ Para remover a cabeça da lâmina (4), coloque o cabo (3) no chão, desaperte o mandril (14) e retire a cabeça da lâmina.

Utilização

Atenção! Não altere o ritmo de funcionamento da ferramenta. Não sobrecarregue.

Carregar a bateria - Figura A

A bateria precisa de ser carregada antes da primeira utilização e sempre que não conseguir produzir energia suficiente em trabalhos anteriormente feitos sem dificuldade. A bateria pode aquecer durante o carregamento. Isto é normal e não indica um problema.

Atenção! Não carregue a bateria a temperaturas ambientes abaixo de 10 °C ou acima de 40 °C. Temperatura de carregamento recomendada: aproximadamente 24 °C.

Nota: O carregador não irá carregar a bateria se a temperatura das células for inferior a 10 °C ou superior a 40 °C.

A bateria não deve ser retirada do carregador para que este carregue automaticamente quando a temperatura das células aquecer ou arrefecer.

- ◆ Para carregar a bateria (11), remova-a da ferramenta e insira-a no carregador (12). A bateria apenas pode ser colocada no carregador de uma forma. Não force o movimento de corte. Certifique-se de que a bateria está completamente introduzida no carregador.
- ◆ Ligue a ficha do carregador e ligue-o à corrente.
- ◆ O indicador de carga (24) ficará intermitente a verde de forma contínua (lentamente).

A carga estará concluída quando o indicador de carga (24) ficar verde de forma contínua. O carregador e a bateria podem permanecer ligados indefinidamente com o LED aceso. O LED mudará para o estado de intermitente a verde (a carregar) à medida que o carregador ocasionalmente preenche a carga da bateria. O indicador de carga (24) ficará aceso enquanto a bateria estiver fixa ao carregador ligado na tomada.

- ◆ As baterias descarregadas devem ser carregadas no espaço de 1 semana. A vida útil de uma bateria diminuirá consideravelmente se for guardada sem carga.

Deixar a bateria no carregador

O carregador e a bateria podem permanecer ligados com o LED aceso indefinidamente. O carregador irá manter a bateria completamente carregada.

Diagnóstico do carregador

Se o carregador detectar uma bateria fraca ou danificada, o indicador de carga (24) piscará rapidamente a vermelho.

Proceda da seguinte forma:

- ◆ Insira novamente a bateria (11).
- ◆ Se o indicador de carga continuar a piscar rapidamente a vermelho, utilize uma bateria diferente para determinar se o processo de carga está a funcionar correctamente.
- ◆ Se a bateria de substituição carregar correctamente, então a bateria original está defeituosa e deve ser entregue num centro de serviço para reciclagem.
- ◆ Se a bateria nova der a mesma indicação que a bateria original, leve o carregador até um centro de assistência autorizado para ser testado.

Nota: determinar se a bateria está defeituosa pode demorar até 60 minutos. Se a bateria estiver demasiado quente ou fria, o LED piscará alternadamente de modo rápido e lento, piscando uma vez a cada velocidade e repetindo o processo.

Ligar e desligar (Fig. E)

Para sua segurança, esta ferramenta encontra-se equipada com um sistema de dois interruptores. Este sistema impede que a ferramenta seja ligada de forma inadvertida.

Ligar

- ◆ Pressione o botão de desbloqueio (2) para trás com o polegar ao mesmo tempo que prime o interruptor para ligar/desligar (1).
- ◆ Liberte o botão de desbloqueio (2).

Desligar

- ◆ Solte o interruptor para ligar/desligar (1).

Atenção! Nunca tente bloquear um interruptor de ligação na posição de ligado.

Podar (fig. F)

- ◆ Certifique-se de que a ferramenta está a funcionar à velocidade máxima antes de efectuar um corte.
- ◆ Segure a ferramenta com firmeza na posição de corte para evitar um eventual salto ou deslocamento lateral da ferramenta.
- ◆ Guie a ferramenta pelo ramo aplicando uma ligeira pressão. Quando cortar ramos pesados, onde um corte parcial pode lascar ou danificar a árvore, proceda da seguinte forma:
 - ◆ Faça o primeiro corte a 15 cm do tronco da árvore na parte inferior do ramo. Utilize a parte de cima da barra de direcção (7) para fazer este corte
 - ◆ Corte um terço pelo diâmetro do ramo. Em seguida, corte a partir de cima.

Limpeza, manutenção e armazenamento

O seu aparelho/ferramenta BLACK+DECKER com fios/sem fios foi concebido para funcionar durante um longo período de tempo com uma manutenção mínima.

Um funcionamento contínuo e satisfatório depende de uma manutenção adequada e da limpeza regular da ferramenta.

Atenção! Antes de proceder a qualquer acção de manutenção em ferramentas eléctricas com cabo/sem fios:

- ◆ Desligue e retire da tomada o aparelho/ferramenta
- ◆ Desligar e remover a bateria do aparelho/ferramenta caso o aparelho/ferramenta tenha uma bateria individual
- ◆ Deixe a bateria descarregar completamente se for integral e, em seguida, desligue-a
- ◆ Desligue o carregador antes de o limpar. O seu carregador não necessita de manutenção para além da limpeza regular.

Limpe regularmente as aberturas de ventilação no aparelho/ferramenta/carregador com uma escova suave ou um pano seco.

Limpe regularmente o compartimento do motor com um pano húmido. Não utilize nenhum produto de limpeza abrasivo ou à base de solvente.

Abra o mandril regularmente e bata no mesmo para remover qualquer vestígio de pó do seu interior (quando colocado).

Após a utilização e antes do armazenamento

- ◆ Limpe regularmente os encaixes de ventilação com uma escova limpa e seca.
- ◆ Para limpar a ferramenta, utilize apenas sabão neutro e um pano húmido. Nunca deixe nenhum líquido entrar na ferramenta e nunca mergulhe nenhuma parte da ferramenta em líquido.
- ◆ Remova os detritos utilizando uma escova rígida.
- ◆ Lubrifique a corrente com o óleo.

Instalar e retirar a corrente da serra (fig. G e H)

Atenção! Utilize sempre luvas de protecção durante a instalação ou remoção da corrente da serra. A corrente da serra é afiada e pode cortá-lo quando não estiver a ser utilizada.

- ◆ Coloque a ferramenta numa superfície firme e estável.
 - ◆ Desaperte os parafusos (16) com a chave Allen fornecida. Retire os parafusos.
 - ◆ Remova a cobertura da roda dentada (5) e o grampo da barra (17).
 - ◆ Rode o parafuso (18) no sentido contrário ao dos ponteiros do relógio para permitir que a barra de direcção(6) recue e reduza a tensão na corrente da serra (7).
 - ◆ Retire a corrente antiga da roda dentada (19) e da barra de direcção (6).
 - ◆ Coloque a corrente nova na ranhura da barra de direcção e à volta da roda dentada. Certifique-se de que os dentes estão na direcção correcta, fazendo corresponder a seta da serra de corte com a seta da caixa.
 - ◆ Certifique-se de que a ranhura (20) na barra de direcção se encontra sobre os pinos de localização (21) e que o orifício (22) abaixo da ranhura se encontra sobre o pino de ajuste (23).
 - ◆ Volte a colocar a cobertura da roda dentada (5), o grampo da barra (17) e os parafusos (16).
 - ◆ Aperte os parafusos (16) com a chave Allen fornecida.
 - ◆ Ajuste a tensão da corrente, conforme descrito abaixo.
- Para garantir um funcionamento sempre seguro, a corrente e a barra de direcção só podem ser substituídas por peças originais da BLACK+DECKER. Número da peça de substituição da corrente A6158 número da peça de substituição da barra de direcção 623381-00.

Verificar e ajustar a tensão da corrente (fig. G)

- ◆ Verifique a tensão da corrente. A tensão está correcta quando a corrente (7) volta à sua posição após ter sido

puxada em 3 mm da barra da corrente de corte com a suave pressão do polegar e do dedo médio. Não deverá restar qualquer 'folga' entre a barra de direcção (6) e a corrente da serra (7) no lado inferior.

Para ajustar a tensão:

- ◆ Desaperte os parafusos (16).
- ◆ Rode o parafuso (18) no sentido dos ponteiros do relógio.

Atenção! Não aplique uma tensão excessiva na corrente, pois pode provocar um desgaste excessivo e reduzir a duração da barra e da corrente.

- ◆ Assim que a tensão da corrente estiver correcta, aperte os parafusos (18).

Atenção! Quando a corrente é nova, verifique frequentemente a tensão, durante as duas primeiras horas de utilização, visto que a nova corrente tem tendência a esticar ligeiramente.

Lubrificar a corrente

A corrente da serra tem de ser lubrificada antes de cada utilização e após a limpeza utilizando apenas a classe correcta do óleo (cat. n.º A6027).

- ◆ Lubrifique toda a corrente da serra (7) uniformemente com o aplicador (9).

Armazenamento

Quando a ferramenta não for utilizada durante vários meses, deixe, de preferência, a bateria ligada ao carregador.

Caso contrário, proceda da seguinte forma:

- ◆ Carregue completamente a bateria.
- ◆ Remova a bateria da ferramenta.
- ◆ Guarde a ferramenta e a bateria num local seguro e seco.
- ◆ A temperatura de armazenamento deve situar-se sempre entre +10°C e +40 °C. Coloque a bateria numa superfície nivelada.
- ◆ Antes de utilizar a ferramenta após um tempo de inactividade prolongado, carregue totalmente a bateria de novo.

Proteção do ambiente



Faça uma recolha de lixo seletiva. Os produtos e as baterias assinaladas com este símbolo não devem ser eliminados juntamente com o lixo doméstico normal.

Os produtos e as baterias contêm materiais que podem ser recuperados ou reciclados, reduzindo assim a necessidade de matérias-primas.

Recicle os produtos elétricos e as baterias de acordo com as disposições locais.

Estão disponíveis mais informações em www.2helpU.com

Dados técnicos

PS1820ST1, PS1820L1 H2		
Tensão	V _{DC}	18
Velocidade da corrente (sem carga)	m/s	190
Comprimento máximo de corte	cm	17
Peso	kg	3,5
Bateria BL2518		
Tensão	V _{DC}	18
Capacidade	Ah	2,5
Tipo		lões de lítio
Carregador 906068**		
Tensão de entrada	V _{AC}	230
Tensão de saída	Ah	18
Corrente de saída	mA	2000

Nível de pressão sonora, medido de acordo com a norma EN 60745:
L _{PA} (pressão sonora) 78 dB(A), variabilidade (K) 3 dB(A) L _{WA} (potência sonora) 98 dB(A), variabilidade (K) 3 dB(A)
Valores totais de vibração (soma vetores triaxiais) de acordo com a EN 60745:
Cortar madeira de resinas duras recentemente (a _{1,w}) <2,5 m/s ² , imprecisão (K) = 1,5 m/s ²

Declaração de conformidade CE DIRETIVA "MÁQUINAS"



PS1820ST1, PS1820L1 – podadora com mastro

A Black & Decker declara que os produtos descritos em "dados técnicos" estão em conformidade com as seguintes normas:

EN 60745-1:2009 +A11:2010, EN ISO 11680-1:2011

Estes produtos estão também em conformidade com a Diretiva 2006/42/CE, 2014/30/UE e 2011/65/UE.

Para obter mais informações, contacte a Black & Decker através do endereço seguinte ou consulte o verso do manual.

O signatário é responsável pela compilação do ficheiro técnico e efetua esta declaração em nome da Black & Decker.



A. Smith
Technical Director
Black & Decker Europe, 210 Bath Road, Slough,
Berkshire, SL1 3YD
Reino Unido
15/01/2019

Garantia

A Black & Decker confia na qualidade dos seus produtos e oferece aos clientes uma garantia de 24 meses a partir da data de compra. Esta garantia é um complemento dos seus direitos estabelecidos por lei, não os prejudicando de forma alguma. A garantia é válida nos Estados-membros da União Europeia e nos países-membros da Zona Europeia de Comércio Livre.

Para acionar a garantia, esta deve estar em conformidade com os termos e condições da Black & Decker e terá de apresentar comprovativos de compra ao vendedor ou a um agente de reparação autorizado. Os termos e condições da garantia de 2 anos da Black & Decker e a localização do agente de reparação autorizado mais próximo podem ser obtidos na Internet em www.2helpU.com ou contactando uma filial da Black & Decker, cuja morada está indicada neste manual.

Visite o nosso Website www.blackanddecker.co.uk para registar o novo produto Black & Decker e receber atualizações sobre novos produtos e ofertas especiais.

Avsedd användning

Din BLACK+DECKER™, PS1820ST1, PS1820L1 sladdlös grensåg har designats för beskärning av träd. Produkten är endast avsedd för konsumentbruk.

Den här BLACK+DECKER-laddaren har utveckats för att kunna ladda BLACK+DECKER-batterier av den typ som medföljer detta verktyg.

Säkerhetsinstruktioner

Allmänna säkerhetsanvisningar för elverktyg



Varning! Läs alla säkerhetsvarningar och instruktioner. Fel som uppstår till följd av att varningarna och instruktionerna som listas nedan inte följts kan orsaka elstötar, brand och/eller allvarliga kroppsskador.

Spara alla säkerhetsföreskrifter och anvisningar för framtida bruk. Begreppet "Elverktyg" i alla varningar som listas nedan avser nätdrivna elverktyg (med nätsladd) och batteridrivna elverktyg (sladdlösa).

1. Säkerhet på arbetsplatsen

- Se till att arbetsområdet är rent och väl belyst.**
Belamrade och mörka områden inbjuder till olyckor.
- Använd inte elverktyget i explosionsfarlig omgivning, t.ex. i närheten av brännbara vätskor, gaser eller damm.** Elverktyg skapar gnistor som kan antända damm eller ångor.
- Håll barn och åskådare på avstånd vid arbete med elverktyget.** Distractioner kan göra att du förlorar kontrollen.

2. Elsäkerhet

- Elverktygets stickkontakt måste passa i eluttaget. Modifiera aldrig kontakten på något sätt. Använd inga adapterkontakter tillsammans med jordade elverktyg.** Icke modifierade kontakter och passande uttag minskar risken för elektrisk stöt.
- Undvik kroppskontakt med jordade ytor, t.ex. rör, värmelement, spisar och kylskåp.** Det finns en ökad risk för elektrisk stöt om din kropp är jordansluten eller jordad.
- Utsätt inte elverktyget för regn eller våta omgivelningar.** Vatten som kommer in i ett elverktyg ökar risken för elektrisk stöt.
- Misshandla inte nätsladden. Använd aldrig sladden för att bära, dra eller koppla bort elverktyget från uttaget. Håll sladden borta från värme, olja, skarpa kanter eller rörliga delar.** Skadade eller tilltrasslade sladdar ökar risken för elektrisk stöt.

kan uppträda oväntat och det kan resultera i brand, explosion eller skador.

- f. **Utsätt inte batteripaket eller verktyg för brand eller höga temperaturer.** Exponering för brand eller temperaturer över 130 °C kan orsaka en explosion.
 - g. **Följ laddningsinstruktionerna och ladda inte batteripaketet eller verktyget utanför det temperaturområde som specificeras i instruktionerna.** Felaktig laddning eller vid temperaturer utanför den specificerade området kan skada batteriet och öka risken för brand.
6. **Service**
- a. **Låt en kvalificerad reparatör som bara använder identiska reservdelar utföra service på elverktyget.** Detta säkerställer att elverktygets säkerhet bibehålles.
 - b. **Gör aldrig service på skadade batteripaket.** Service på batteripaket skall endast utföras av tillverkaren eller auktoriserad servicepersonal.

Ytterligare säkerhetsanvisningar för elverktyg



Varning! Ytterligare säkerhetsanvisningar för grensågar

- ◆ **Håll undan alla kroppsdelar från kedjan när sågen är igång. Se till att kedjan inte vidrör något innan du startar sågen.** Bara ett ögonblicks ouppmärksamhet när du använder kedjesågar kan leda till att kläder eller delar av kroppen fastnar i kedjesågen.
- ◆ **Håll alltid kedjesågen med din högra hand på det bakre handtaget och din vänstra hand på det främre handtaget.** Håll aldrig sågen med händerna i omvänd ordning eftersom risken för personskador då ökar.
- ◆ **Håll endast elverktyget i de isolerade greppyrtorna eftersom det finns risk för att sågkedjan kommer i kontakt med dolda elledningar.** Om en sågkedja får kontakt med strömförande ledningar kan verktygets metalldelar bli strömförande och ge dig en elektrisk stöt.
- ◆ **Använd skyddsglasögon och hörselskydd. Ytterligare skyddsutrustning för huvud, händer, ben och fötter rekommenderas.** Lämpliga skyddskläder minskar personskador till följd av flygande träbitar eller oavsiktlig kontakt med sågens kedja.
- ◆ **Använd inte sågen uppe i träd.** Användning av en kedjesåg uppe i ett träd kan orsaka personskada.
- ◆ **Se alltid till att ha ordentligt fotfäste och stå på ett stadigt, säkert och jämnt underlag när du använder kedjesågen.** Hala eller instabila underlag, t.ex. stegar, kan få dig att tappa balansen eller förlora kontrollen över sågen.
- ◆ **Var uppmärksam på att en spänd gren som sågas av kan fjädra tillbaka.** När spänningen i träfiberna släpper

kan den fjädrande grenen träffa den som sågar och/eller slå kedjesågen ur händerna.

- ◆ **lakta stor försiktighet vid kapning av buskar och unga träd.** Tunna grenar kan fastna i kedjan och slå tillbaka mot dig eller få dig att tappa balansen.
- ◆ **Bär kedjesågen i det främre handtaget och se till att den är avstängd och att kedjan inte kommer i kontakt med kroppen. Se alltid till att svärdskyddet är på under transport eller förvaring.** Om kedjesågen hanteras på rätt sätt minskas risken för oavsiktlig kontakt med kedjan när den är i rörelse.
- ◆ **Följ anvisningarna för smörjning, kedjespänning och byte av tillbehör.** En felaktigt spänd eller smord kedja kan gå av eller medföra ökad risk för kast
- ◆ **Håll handtagen torra, rena och fria från olja och fett.** Oljiga handtag är hala och gör sågen okontrollerbar.
- ◆ **Såga endast i trä. Använd inte sågen till annat än det den är avsedd för.** Exempelvis: använd inte den för att såga plast, murverk eller byggmaterial som inte är av träbyggnadsmaterial. Användning av sågen på annat sätt än det avsedda kan framkalla fara.

Orsaker och operatörens förhindrande av reky

Kast kan uppstå om svärdets nos eller spets kommer i kontakt med ett föremål, eller om träet sluter sig och nyper kedjan i skåran.

Spetskontakt kan i vissa fall orsaka en plötslig omvänd reaktion så att svärdet slås uppåt och bakåt mot användaren. Om kedjan nyps längs svärdets översida kan svärdet hastigt slungas bakåt mot användaren. Båda dessa reaktioner kan få dig att tappa kontrollen över sågen, vilket kan leda till allvarig personskada. Förlita dig inte enbart på sågens inbyggda säkerhetsanordningar. Du bör vidta flera skyddsåtgärder för att undvika olyckshändelser och skador när du använder sågen.

Rekyl uppstår till följd av felaktig användning och/eller hantering av sågen. Detta kan undvikas genom de skyddsåtgärder som beskrivs nedan:

- ◆ **Se till att du har ett fast grepp med tummarna och fingrarna ordentligt omslutna om handtagen. Håll sågen med båda händerna och inta en kropps- och armställning så att du kan stå emot kraften från eventuella kast.** Kraften i kast kan bemästras av användaren om nödvändiga skyddsåtgärder vidtagits. Släpp inte sågen.
- ◆ **Sträck dig inte för långt, och såga aldrig ovanför din axelhöjd.** Det minskar risken för oavsiktlig spetskontakt och ger dig bättre kontroll över sågen i oväntade situationer.
- ◆ **Använd endast svärd och kedjor som anges av tillverkaren när du byter ut dem.** Byte till fel svärd eller kedja kan medföra att kedjan går av och/eller att rekyl uppstår.

- ◆ Följ tillverkarens anvisningar för slipning och underhåll av kedjan. Minskning av riktskärets djup kan medföra ökat kast.
- ◆ Rekyll kan orsakas av att man stöter emot metall, cement eller annat hårt material i närheten av eller inuti träet.
- ◆ En slö eller lös kedja kan orsaka rekyl.
- ◆ Försök inte att föra in i en tidigare sågning då det kan resultera i en rekyl. Börja alltid med ett nytt skär.
- ◆ Vi rekommenderar starkt att ovana användare instrueras av en erfaren användare om hur sågen och skyddsutrustningen ska användas. Den inledande övningen bör vara att såga ved på en sågbock eller i en hållare.
- ◆ Vi rekommenderar att du tar ur batteriet och att kedjan är riktad bakåt när du bär kedjesågen.
- ◆ Sköt om kedjesågen när den inte är i bruk. Lägg inte undan sågen under längre tid utan att först ta bort kedjan och svärdet, som bör förvaras i olja. Förvara sågens delar på ett torrt och säkert ställe, utom räckhåll för barn.
- ◆ Vi rekommenderar att du tömmer oljebehållaren innan sågen läggs i förvar.
- ◆ Se till att du har ordentligt fotfäste och förbered en flyktväg från fallande träd eller grenar.
- ◆ Använd kilar för att få kontroll över fällningen och för att undvika att svärdet och sågkedjan kläms fast i skäran.
- ◆ Skötsel av kedjan. Kedjan skall vara vass och tätt spänd mot svärdet. Se till att kedjan och svärdet är rena och väl inoljade. Håll handtagen torra, rena och fria från olja och fett.
- ◆ Se till att ha någon i närheten (på säkert avstånd) i händelse av olycka.
- ◆ Om du av någon anledning måste vidröra kedjan bör du först se till att sågen inte är ansluten till batteriet.
- ◆ Detta verktyg kan nå en bullernivå över 85 dB(A). Vi rekommenderar därför att du vidtar lämpliga åtgärder för att skydda din hörsel.
- ◆ Svärdet kan bli varmt när produkten används. Hantera den försiktigt.
- ◆ Håll förlängningssladdar borta från skärande delar.

Andras säkerhet

- ◆ Apparaten kan användas av barn från åtta år och personer med nedsatt fysisk eller psykisk förmåga eller bristande erfarenhet eller kunskap. Om de får lämplig vägledning i hur apparaten ska användas på ett säkert sätt och är medvetna om riskerna.
- ◆ Barn ska inte leka med apparaten. Rengöring och användarunderhåll ska inte utföras av barn utan övervakning.

Återstående risker

Ytterligare risker som inte finns med i de bifogade säkerhetsanvisningarna kan uppstå när verktyget används. Dessa risker kan uppstå vid felaktig eller långvarig användning, etc. Även om alla relevanta säkerhetsanvisningar följs och säkerhetsanordningar används kan vissa ytterligare risker inte undvikas. Dessa omfattar:

- ◆ Skador orsakade av att roterande/rörliga delar vidrörs.
- ◆ Skador som uppstår vid byte av delar, blad eller tillbehör.
- ◆ Skador som orsakas av långvarig användning av ett verktyg. Se till att regelbundet ta vilopausar när du använder ett verktyg under en längre period.
- ◆ Hörselnedsättning.
- ◆ Hälsorisker orsakade av inandning av damm när redskapet används (exempel: arbete med trä, särskilt ek, bok och MDF.)

Vibrationer

De vibrationsvärden som anges i avsnitten Tekniska data och deklarationen om överensstämmelse har uppmätts i enlighet med en standardtestmetod föreskriven i EN 60745 och kan användas för jämförelse med andra verktyg. Det angivna vibrationsvärdet kan även användas för en preliminär bedömning av exponeringen.

Varning! Vibrationsvärdet under faktisk användning av elverktyget kan skilja sig från det uppgivna värdet beroende på hur verktyget används. Vibrationsnivån kan överstiga den uppgivna nivån.

Vid uppskattningar av exponering för vibrationer i syfte att bedöma vilka säkerhetsåtgärder som är nödvändiga enligt 2002/44/EG för att skydda personer som regelbundet använder elverktyg i arbetet ska man utgå från de faktiska omständigheter under vilka elverktyget används och sättet på vilket det används. Bedömningen ska även ta hänsyn till alla moment i arbetscykeln, t.ex. när verktyget är avstängt och när det går på tomgång såväl som när det faktiskt används.

Beskrivning

Innan du börjar beskära träd bör du ta reda på vad lokala bestämmelser säger om trädfällning.

- ◆ Var medveten om i vilken riktning grenar kan falla. Ta hänsyn till alla förhållanden som kan påverka fallriktningen, bland annat:
 - ◆ längd och vikt på den gren som ska beskäras
 - ◆ den tänkta fallriktningen
 - ◆ alla ovanligt kraftiga eller murkna grenar
 - ◆ kringstående träd och hinder, även ovanför marken,
 - ◆ t.ex. luftledning
 - ◆ sammanflätning med andra grenar
 - ◆ vindens hastighet och riktning.
 - ◆ Ta hänsyn till avståndet till grenen.

Trädgrenar kan röra sig mot trädstammen. Förutom användaren riskerar även personer som befinner sig i närheten, byggnader samt föremål under grenen att träffas av den fallande grenen.

Etiketter på verktyget

Följande varningssymboler finns på verktyget, tillsammans med datumkod:



Varning! Läs bruksanvisningen före användning för att minska risken för personskador.



Utsätt inte verktyget för regn och väta.



Se upp för fallande föremål. Håll åskådare borta.



Risk för elstötar med dödlig utgång. Håll dig minst 10 meter från luftledningar.



Använd alltid skydd för huvud och ögon.



Använd halkfria säkerhetsskor.



Kontrollera var tionde minut att kedjan är ordentligt spänd såsom beskrivs i denna bruksanvisning efter var 10 minuts användning och justera den inom en marginal på tre mm efter behov. Smörj kedjan var 10:e minut vid användning.



Kedjans rotationsriktning.



Varning! Rör inte kedjan vid spånutkastet.

Ytterligare säkerhetsinstruktioner för batterier och laddare

Batterier

- ◆ Försök aldrig öppna batteriet.
- ◆ Utsätt inte batteriet för vatten.
- ◆ Förvara inte apparaten på platser där temperaturen kan bli högre än 40 °C.
- ◆ Ladda endast vid temperaturer mellan 10 °C och 40 °C.
- ◆ Ladda endast med hjälp av laddaren som medföljer verktyget.
- ◆ Följ instruktionerna som anges i avsnittet "Skydda miljön" när du kastar batterierna.
- ◆ Skada/deformera inte batteripaketet varken genom att punktera det eller utsätta det för slag, eftersom detta kan leda till risk för personskador och brand.
- ◆ Ladda inte skadade batterier.

- ◆ Under extrema förhållanden kan batterierna läcka. Om det finns vätska på batterierna ska du torka bort vätskan försiktigt med hjälp av en trasa. Undvik hudkontakt.
- ◆ Vid kontakt med hud eller ögon, följ instruktionerna nedan.

Varning! Batterivätskan kan orsaka person- eller materialskador. Vid hudkontakt, skölj genast med vatten. Vid rodnader, smärta eller irritation ska läkare uppsökas. Vid kontakt med ögon, skölj genast med rent vatten och uppsök läkare.

Laddare

- ◆ Använd endast laddaren från BLACK+DECKER för att ladda batteriet i det apparat som laddaren levererades med. Andra batterier kan spricka och orsaka personskador och andra skador.
- ◆ Försök aldrig ladda batterier som inte är uppladdningsbara.
- ◆ Byt defekta sladdar omgående.
- ◆ Utsätt inte laddaren för vatten.
- ◆ Öppna inte laddaren.
- ◆ Gör ingen åverkan på laddaren.
- ◆ Batteriladdaren ska placeras på en plats med god ventilation vid laddning.

Symboler på laddaren

Följande symboler finns på laddaren:



Laddaren är endast avsedd för inomhusbruk.



Läs bruksanvisningen före användning.

Elsäkerhet



Eftersom laddaren är dubbelisolerad behövs ingen jordledare. Kontrollera alltid att nätspänningen överensstämmer med spänningen på typskylten. Försök aldrig byta ut laddaren mot en vanlig nätkontakt.

- ◆ Om nätsladden är skadad måste den bytas ut av tillverkaren eller ett auktoriserat BLACK+DECKER servicecenter för att undvika fara.

Funktioner

Denna apparat har några eller samtliga av följande funktioner.

1. Strömbrytare
2. Låsknapp
3. Huvudhandtag
4. Såghuvud
5. Låsreglage
6. Blåstillsats
7. Blåslåsknapp

8. Blåsrör
9. Kedjesågtillsats
10. Låsknapp kedjesågtillsats
11. Batteri

Bild A

12. Laddare

Montering

Varning! Ta ur batteriet innan du sätter ihop verktyget.

Montera och ta bort batteriet (bild B)

- ◆ Sätt i batteriet (11) genom att placera det i linje med kontakten på verktyget. Skjut in batteriet i facket och tryck tills batteriet snäpper på plats.
- ◆ Ta ur batteriet genom att trycka på låsknappen (13) samtidigt som du drar ut batteriet ur facket.

Varning! För att undvika skador till följd av oavsiktlig start bör du kontrollera att batteriet har avlägsnats och att kedjeskyddet sitter på sågkedjan innan du gör nedanstående. Om inte ovanstående rekommendationer följs kan det leda till allvariga personskador.

Montera såghuvudet (fig. C)

Såghuvudet kan monteras direkt på handtaget för normal räckvidd.

- ◆ Rikta in spåret på utsidan av handtagets kopplingsände (3) mot tungan på insidan av såghuvudets (4) kopplingsände. Tryck såghuvudet (4) mot handtaget (3).
- ◆ Skjut kragen (14) nedåt och vrid den medurs tills den är helt åtdragen.

Varning! Kontrollera regelbundet att anslutningarna sitter ordentligt.

Förlänga såghuvudet (fig. D)

Den maximala längden erhålls genom att förlängningsröret (10) monteras mellan såghuvudet (4) och handtaget (3).

- ◆ Rikta in spåret på utsidan av handtagets kopplingsände (3) mot tungan på insidan av kopplingsändan på förlängningsröret (10).
- ◆ Tryck förlängningsröret (10) mot handtaget (3).
- ◆ Skjut kragen (15) nedåt och vrid den medurs tills den är helt åtdragen.
- ◆ Rikta in spåret på utsidan av handtagets förlängningsröret (10) mot tungan på insidan av såghuvudets (4) kopplingsände.
- ◆ Tryck såghuvudet (4) mot förlängningsröret (10).
- ◆ Skjut kragen (14) nedåt och vrid den medurs tills den är helt åtdragen.

Varning! Kontrollera regelbundet att anslutningarna sitter ordentligt.

Ta bort såghuvudet (fig. C och D)

Innan förlängningsröret (10) monteras måste såghuvudet tas bort.

- ◆ Du tar bort såghuvudet (4) genom att placera handtaget (3) på marken, lossa kragen (14) och ta av såghuvudet.

Användning

Varning! Låt verktyget arbeta i sin egen takt. Överbelasta inte.

Ladda batteriet (fig. A)

Batteriet måste laddas innan det används för första gången och sedan varje gång som det inte ger tillräckligt hög effekt för arbeten som annars brukar gå bra. Batteriet kan bli varmt när det laddas. Det är normalt och innebär inte att något är fel.

Varning! Ladda inte batteriet om lufttemperaturen är lägre än 10 °C eller högre än 40 °C. Rekommenderad laddningstemperatur: ca 24 °C.

Obs! Laddaren laddar inte batteriet om celltemperaturen är lägre än ungefär 10 °C eller högre än 40 °C.

Batteriet får då sitta kvar i laddaren, som kommer att börja laddningen automatiskt när celltemperaturen har stigit eller sjunkit.

- ◆ Vid laddning tar du ut batteriet (11) ur verktyget och sätter det i laddaren (12). Batteriet kan bara placeras i laddaren på ett sätt. Använd inte våld. Se till att batteriet sitter ordentligt i laddaren.
- ◆ Anslut laddaren till vägguttaget.
- ◆ Laddningsindikatorn (24) börjar blinka grönt (långsamt).

När batteriet är laddat lyser laddningsindikatorn (24) med ett grönt fast sken. Laddaren och batteriet kan lämnas ansluten på obestämd tid med LED lysande. Indikatorn kommer emellanåt att börja blinka grönt (laddningsläge) eftersom laddaren då och då fyller på batteriets laddning. Laddningsindikatorn (24) lyser när batteriet sitter i laddaren och laddaren är ansluten till ett eluttag.

- ◆ Urladdade batterier bör laddas inom 1 vecka. Om batterierna inte laddas när de är urladdade förkortas batterilivslängden avsevärt.

Lämna batteriet i laddaren

Laddaren och batteripaketet kan vara anslutna till vägguttaget hur länge som helst när LED lyser. Laddaren kommer att hålla batteripaketet fräscht och fulladdat.

Laddardiagnostik

Om laddaren upptäcker ett svagt eller skadat batteri börjar laddningsindikatorn (24) att blinka rött i snabb takt. Fortsätt enligt följande:

- ◆ Sätt i batteriet (11) igen.
- ◆ Om laddningsindikatorn fortsätter att blinka rött snabbt kan du använda ett annat batteri för att kontrollera att laddningsprocessen fungerar som den ska.

- ◆ Om det utbytta batteriet kan laddas utan problem är det gamla batteriet defekt och bör lämnas till ett servicecenter för återvinning.
- ◆ Om problemet kvarstår med det nya batteriet bör du ta med laddaren till ett auktoriserat servicecenter.

Notera: Det kan ta upp till 60 minuter att avgöra om batteriet är defekt. Om batteriet är för hett eller för kallt blinkar indikatorn rött omväxlande snabbt och långsamt med en blinkning i varje hastighet.

Slå på och av (bild E)

Verktyget är för din säkerhet utrustad med dubbla strömbrytare. Det förhindrar att sågen kan startas av misstag.

Starta

- ◆ Skjut låsknappen (2) bakåt med din tumme och tryck samtidigt på strömbrytaren (1).
- ◆ Släpp låsknappen (2).

Stänga av

- ◆ Släpp strömbrytaren (1).

Varning! Försök aldrig låsa eller fixera strömbrytaren i påslaget läge.

Beskärning (fig. F)

- ◆ Se till att verktyget har full fart innan du börjar såga.
- ◆ Håll verktyget stadigt för att undvika att den gör kast eller flyttar sig åt sidan. Styr sågen genom grenen med ett lätt tryck. När du sågar genom grova grenar och en delvis genomsågning riskerar att splittra och skada trädet gör du följande:
 - ◆ Gör det första skäret 15 cm från trädstammen på grenens undersida. Använd svärdets (6) ovasida för detta skär.
 - ◆ Gör ett skär som motsvarar en tredjedel av grenens diameter. Därefter sågar du uppifrån och ned.

Rengöring, underhåll och förvaring

Det här BLACK+DECKER-verktyget (med eller utan sladd) är konstruerat för att fungera under lång tid med minsta möjliga underhåll.

Med rätt underhåll och regelbunden rengöring behåller verktyget sina prestanda.

Varning! Innan något underhåll utförs på elektriska verktyg med eller utan sladd:

- ◆ Stäng av verktyget och dra ur nätkontakten
- ◆ Du kan också ta ur batteriet ur apparaten om apparaten har ett separat batteri.
- ◆ Ytterligare ett alternativ är att låta batteriet laddas ur helt om det är integrerat och sedan stänga av den.
- ◆ Dra ur sladden till laddaren innan du rengör den. Laddaren behöver inget annat underhåll än regelbunden rengöring.

Rengör regelbundet apparatens/verktygets/laddarens luftintag med en mjuk borste eller torr trasa.

Rengör kåpan regelbundet med en fuktig trasa. Använd aldrig rengöringsmedel med lösnings- eller slipmedel.

Öppna chucken (där sådan finns) med jämna mellanrum och knacka på den för att avlägsna damm som sitter på insidan.

Efter användning och innan förvaring

- ◆ Rengör regelbundet ventilationsöppningarna med en ren och torr målarborste.
- ◆ Använd bara mild tvål och en fuktig trasa för att rengöra sågen. Låt aldrig någon vätska komma in i sågen och doppa den aldrig i någon vätska.
- ◆ Avlägsna skräp med en hård borste.
- ◆ Smörj kedjan med olja.

Montera eller ta bort sågkedjan (fig. G och H)

Varning! Använd alltid skyddshandskar när sågkedjan monteras eller tas bort. Kedjan är vass och du kan skära dig även när den inte är i rörelse.

- ◆ Lägg verktyget på ett stabilt och stadigt underlag.
- ◆ Lossa skruvarna (16) med den medföljande insexnyckeln. Ta bort skruvarna.
- ◆ Ta bort den gamla kedjekåpan(5)och svärdklämman (17).
- ◆ Vrid skruven (18) moturs så att svärdet (6) dras tillbaka och spänningen på sågkedjan (7) minskas.
- ◆ Ta bort den gamla sågkedjan från kughjulet (19) och svärdet (6).
- ◆ Lägg den nya sågkedjan i skåran på kedjesvärdet och runt kughjulet. Se till så att tänderna pekar i rätt riktning genom att matcha pilen på sågkedjan med pilen på höljet.
- ◆ Se till att öppningen (20) på svärdet ligger ovanför styrstiften (21) och att hålet (22) nedanför öppningen ligger ovanför justeringsstiftet (23).
- ◆ Sätt tillbaka kedjekåpan (5) och svärdklämman (17) och skruvarna (16).
- ◆ Dra åt skruvarna (16) med den medföljande insexnyckeln.
- ◆ Justera kedjespänningen enligt anvisningarna nedan. Kedjan och svärdet bör endast ersättas med originaldelar från BLACK+DECKER för att garantera fortsatt säker drift. Kedja med reservdelsnummer A6158 och svärd med reservdelsnummer 623381-00.

Kontroll och justering av kedjespänning (fig. G)

- ◆ Kontrollera kedjespänningen. Kedjan (7) är rätt spänd när den snapper tillbaka efter att du dragit ut den 3 mm från svärdet med lätt kraft med långfingret och tummen. Sågkedjan (7) ska inte "hänga ned" från svärdet (6) på undersidan.

Justera spänningen:

- ◆ Lossa på skruvarna (16).
- ◆ Vrid skruven (18) medurs.

Varning! Spänn inte kedjan för hårt eftersom det ger ökad förslitning och kommer att minska svärdets och kedjans livslängd.

- ◆ Dra åt skruvarna (18) när kedjan är rätt spänd.

Varning! Kontrollera kedjespänningen ofta under de två första timmarna när sågen används första gången eftersom en ny kedja sträcks något.

Smörjning av kedjan

Sågkedjan måste smörjas innan varje användning samt efter rengöring med rätt sorts olja (kat.nr. A6027).

- ◆ Smörj hela sågkedjan (7) med hjälp av applikatorn (9).

Förvaring

Du bör låta batteriet sitta kvar i laddaren när sågen inte ska användas under längre tid (månader).

I annat fall gör du följande:

- ◆ Ladda batteriet fullt.
- ◆ Ta ut batteriet ur verktyget.
- ◆ Förvara verktyget och batteriet på ett säkert och torrt ställe.
- ◆ Temperaturen i förvaringsutrymmet måste alltid ligga mellan +10°C och +40 °C. Placera batteriet på ett jämnt underlag.
- ◆ Ladda batteriet fullt innan du använder verktyget efter att det legat oanvänt under en längre tid.

Skydda miljön



Separat insamling. Produkter och batterier som är markerade med denna symbol får inte kastas i de vanliga hushållssoporna.

Produkter och batterier innehåller material som kan återanvändas eller återvinnas för att minska behovet av råmaterial.

Återvinn elektriska produkter och batterier enligt lokala bestämmelser. Närmare information finns tillgänglig på www.2helpU.com

Tekniska data

PS1820ST1, PS1820L1 H2		
Spänning	V _{DC}	18
Kedjehastighet (utan belastning)	m/s	190
Max. skärlängd	cm	17
Vikt	kg	3,5
Batteri BL2518		
Spänning	V _{DC}	18
Kapacitet	Ah	2,5
Typ		Litiumjon

Laddare	906068**	
Spänning	V _{AC}	230
Utspänning	Ah	18
Utström	mA	2000

Ljudnivå, uppmätt enligt EN 60745:

L_{DA} (ljudnivå) 78 dB(A), osäkerhet (K) 3 dB(A)
L_{WA} (ljudeffekt) 98 dB(A), osäkerhet (K) 3 dB(A)

Totala vibrationsvärden (vektorsumman av tre axlar) enligt EN 60745:

Vibrationsvärde (a_{rw}) <2,5 m/s², osäkerhet (K) 1,5 m/s²

EG-försäkringen om överensstämmelse MASKINDIREKTIVET



PS1820ST1, PS1820L1 – grensåg

Black & Decker garanterar att produkterna som beskrivs under "Tekniska data" uppfyller:

EN 60745-1:2009 +A11:2010, EN ISO 11680-1:2011

Dessa produkter överensstämmer även med direktiven 2006/42/EG, 2014/30/EU och 2011/65/EU.

För ytterligare information kontakta Black & Decker på följande adress, eller se handbokens baksida.

Undertecknad är ansvarig för sammanställningen av tekniska data och gör denna försäkringen för Black & Decker.

A. Smith

Technical Director Black & Decker Europe,
210 Bath Road, Slough,
Berkshire, SL1 3YD
Storbritannien
15/01/2019

Garanti

Black & Decker är säker på kvaliteten hos denna produkt och erbjuder kunder 24 månaders garanti från inköpsdatumet. Garantin gäller utöver konsumentens rättigheter enligt lag och påverkar inte dessa. Garantin är giltig i de områden som tillhör medlemsstaterna i Europeiska unionen och det europeiska frihandelsområdet.

För yrkande under garantin måste yrkandet vara in enlighet med Black & Deckers villkor och du kommer att behöva skicka in bevis på köpet till försäljaren eller en auktoriserad reparatör. Villkoren för Black & Deckers tvååriga garanti och var du hittar din närmaste auktoriserade reparatör kan erhållas på internet på www.2helpU.com, eller genom att kontakta ditt lokala Black & Decker kontor på adressen som angetts i denna bruksanvisning.

Besök vår webbplats www.blackanddecker.se för att registrera din nya Black & Decker produkt och få uppdateringar för nya produkter och specialerbjudanden.

Tiltent bruk

Tiltent bruk Din BLACK+DECKER™, PS1820ST1, PS1820L1 trådløse grenkutter er designet for å kappe grener på trær. Dette verktøyet er kun ment for privat bruk. Laderen fra BLACK+DECKER er utformet for å lade BLACK+DECKER-batterier av den typen som følger med dette verktøyet.

Sikkerhetsinstruksjoner

Generelle sikkerhetsadvarsler for elektroverktøy



Advarsel! Les alle sikkerhetsadvarsler og alle instruksjoner. Hvis advarslene og anvisningene nedenfor ikke overholdes, kan det medføre elektrisk støt, brann og/eller alvorlige personskader.

Ta vare på alle advarsler og instruksjoner for fremtidig bruk. Uttrykket "elektroverktøy" i alle advarslene nedenfor gjelder for strømdrevne elektroverktøy (med ledning) og batteridrevne elektroverktøy (uten ledning).

1. Sikkerhet i arbeidsområdet

- Hold arbeidsområdet rent og godt opplyst.** Rotete eller mørke områder er en invitasjon til ulykker.
- Ikke arbeid med elektroverktøy i eksplosjonsfarlige omgivelser, for eksempel der det befinner seg brennbare væsker, gass eller støv.** Elektrisk verktøy skaper gnister som kan antenne støv eller gasser.
- Hold barn og andre personer unna når du bruker et elektroverktøy.** Distraksjoner kan føre til at du mister kontrollen.

2. Elektrisk sikkerhet

- Støpselet til verktøyet må passe til stikkkontakten. Aldri modifier støpselet på noen måte. Ikke bruk adapterstøpsler til jordede elektriske verktøy.** Umodifiserte støpsler og stikkontakter som passer vil redusere risikoen for elektrisk sjokk.
- Unngå kroppskontakt med jordede overflater som rør, radiatorer, komfyrer og kjøleskap.** Det er økt risiko for elektrisk støt dersom kroppen din er jordnet.
- Ikke utsett elektroverktøy for regn eller fuktighet.** Dersom det kommer vann inn i et elektrisk verktøy vil det øke risikoen for elektrisk sjokk.
- Unngå uforsvarlig behandling av ledningen. Aldri bruk ledningen til å bære, trekke eller dra ut støpselet til det elektriske verktøyet. Hold ledningen borte fra varme, olje, skarpe kanter eller bevegelige deler.** Skadede eller innviklede ledninger øker risikoen for elektrisk sjokk.
- Når du bruker et elektroverktøy utendørs, må du bruke en skjøteledning som er egnet til utendørs bruk.**

Bruk av en skjøteledning beregnet for utendørs bruk reduserer risikoen for elektrisk støt.

- f. **Hvis du ikke kan unngå å bruke elektroverktøy på et fuktig sted, må du bruke en strømforsyning som er beskyttet med jordfeilbryter (RCD).**

Bruk av jordfeilbryter (RCD) reduserer risikoen for elektrisk støt.

3. Personikkerhet

- a. **Vær oppmerksom, pass på hva du gjør, og vis fornuft når du arbeider med et elektroverktøy. Ikke bruk et elektrisk verktøy dersom du er trøtt eller er påvirket av medikamenter, narkotika eller alkohol.** Ett øyeblikks uoppmerksomhet under bruk av elektriske verktøy kan føre til alvorlig personskade.

- b. **Bruk personlig verneutstyr. Bruk alltid vernerbriller.** Verneutstyr slik som støvmaske, sklisikre vernesko, hjelm, eller hørselsvern brukt under passende forhold vil redusere personskader.

- c. **Forhindre utilsiktet start. Kontroller at bryteren står i posisjon "av" før du kobler til strømkilden og/eller batteripakken, og før du tar opp eller bærer verktøyet.** Å bære elektriske verktøy med fingeren på bryteren eller å sette inn støpselet mens elektriske verktøy har bryteren på øker faren for ulykker.

- d. **Fjern eventuelt innstillingsverktøy eller skruverktøy før du slår på elektroverktøyet.** Et skruverktøy eller en nøkkel som fortsatt er festet til en roterende del av elektroverktøyet, kan føre til personskade.

- e. **Ikke strekk deg for langt. Ha godt fotfeste og stå støtt hele tiden.** Dette fører til at du har bedre kontroll over det elektriske verktøyet ved uventede situasjoner.

- f. **Bruk egnede klær. Ikke ha på deg løstsittende klær eller smykker. Hold hår, antrekk og hanser borte fra bevegelige deler.** Løstsittende klær, smykker og langt hår kan bli fanget opp av bevegelige deler.

- g. **Hvis det kan monteres støvavsug- og oppsamlingsinnretninger, må du forvisse deg om at disse er tilkoblet og brukes på riktig måte.** Bruk av støvoppsamlere kan redusere støvrelaterte farer.

- h. **Ikke la erfaring med hyppig bruk av verktøy la deg bli likegyldig og ignorere verktøyet sikkerhetsregler.** En uforsiktig handling kan føre til alvorlig personskade på brokdelen av et sekund.

4. Bruk og behandling av elektroverktøy

- a. **Ikke bruk makt på elektroverktøyet. Bruk det elektriske verktøyet som situasjonen krever.** Det riktige elektriske verktøyet vil gjøre jobben bedre og tryggere ved den hastigheten det ble konstruert for.

- b. **Ikke bruk elektroverktøyet hvis du ikke kan slå det på og av med bryteren.** Ethvert elektrisk verktøy som ikke kan kontrolleres med bryteren er farlig og må repareres.

- c. **Trekk støpselet ut av stikkkontakten og/eller koble fra batteripakken på elektroverktøyet før du utfører innstillinger, bytter tilbehør eller legger elektroverktøyet bort for lagring.** Slike preventive sikkerhetsforanstaltninger reduserer risikoen for å starte det elektriske verktøyet ved et uhell.

- d. **Elektroverktøy som ikke er i bruk, må oppbevares utilgjengelig for barn. Ikke la verktøyet bli brukt av personer som ikke er fortrolige med det, eller som ikke kjenner disse instruksjonene.** Elektriske verktøy er farlige i hendene på utrenede brukere.

- e. **Sørg for vedlikehold av elektroverktøy. Undersøk om bevegelige deler er feiljustert eller blokkert, om deler er skadet, og om det er andre forhold som kan påvirke elektroverktøyet funksjon.** Dersom det er skadet, få verktøyet reparert før neste bruk. Mange ulykker forårsakes av dårlig vedlikeholdte verktøy.

- f. **Hold skjæreverktøy skarpe og rene.** Godt vedlikeholdte skjæreverktøy med skarpe skjærekanten setter seg mindre sannsynlig fast og er lettere å kontrollere.

- g. **Bruk elektroverktøy, tilbehør, bits osv. i henhold til disse instruksjonene. Ta hensyn til arbeidsforholdene og arbeidet som skal utføres.** Bruk av det elektriske verktøyet for oppgaver som er forskjellige fra de som er tiltenkt kan føre til en farlig situasjon.

- h. **Hold håndtakene og gripeflatene tørre, rene og frie for olje og fett.** Glatte håndtak og gripeflater forhindrer trygg håndtering og kontroll av verktøyet i uventede situasjoner.

5. Bruk og stell av batteriverktøy

- a. **Ladningen skal bare skje med den laderen som produsenten har spesifisert.** En lader som passer for en type batteripakke kan føre til risiko for brann dersom den brukes på en annen batteripakke.

- b. **Bruk elektroverktøy bare sammen med spesifikt angitte batteripakker.** Bruk av andre batteripakker kan føre til risiko for personskade og brann.

- c. **Når batteripakken ikke er i bruk, må du oppbevare den atskilt fra andre metallgjenstander som binders, mynter, nøkler, spiker, skruer eller andre små metallgjenstander som kan opprette en forbindelse fra en terminal til en annen.** Kortslutning av batteripolene mot hverandre kan føre til brannskader eller brann.

- d. **Ved feilaktig bruk kan det komme væske ut av batteriet, unngå kontakt med den. Dersom du kommer i kontakt med den, skyll av med vann. Dersom du får væsken i øynene, søk legehjelp.** Væske som kommer ut av batteriet kan føre til irritasjon eller brannskader.

- e. **Batteripakke eller verktøy som er skadet eller modifisert skal ikke brukes.** Batterier som er skadet eller modifisert kan ha uventet oppførsel og føre til brann, eksplosjon eller personskader.

- f. **Batteripakken skal ikke utsettes for brann eller for høy temperatur.** Eksponering for brann eller temperaturer over 130 °C kan føre til eksplosjon.
- g. **Følg alle ladeinstrukser og ikke lade batteripakken eller verktøyet utenfor temperaturområdet som angitt i bruksanvisningen.** Feil lading eller ved temperaturer utenfor det angitt området kan skade batteriet og øke faren for brann.
6. **Service**
- a. **Elektroverktøyet skal repareres av kvalifisert personell og bare med originale reservedeler.** Dette vil sikre at verktøyets sikkerhet blir ivaretatt.
- b. **Skadede batteripakker skal aldri repareres.** Service på batteripakker skal kun utføres av produsenten eller autoriserte serviceverksteder.

Ytterligere sikkerhetsadvarsler for elektroverktøy



Advarsel! Ytterligere sikkerhetsinstruksjoner for beskjæringssaks

- ◆ **Hold alle deler av kroppen unna kjedet mens motorsagen er i bruk. Før du starter motorsagen, må du passe på at sagkjedet ikke er i kontakt med noe.** Et øyeblikks uoppmerksomhet under bruk av motorsagen kan føre til at klesplagg eller kroppsdeler vikles inn i eller på annen måte kommer i utilsikket kontakt med motorsagen.
- ◆ **Hold alltid motorsagen med høyre hånd på bakre håndtak og venstre hånd på fremre håndtak.** Hvis motorsagen holdes på en motsatt måte, øker risikoen for personskade. Hold derfor alltid motorsagen som anbefalt.
- ◆ **Hold elektroverktøyet bare i de isolerte grepsflatene, fordi sagkjedet kan komme i kontakt med skjulte ledninger.** Hvis motorsager kommer i kontakt med en strømførende ledning, kan frittliggende metaldeler på verktøyet bli strømførende, og brukeren kan få elektrisk støt.
- ◆ **Bruk vernebriller og hørselvern. Annet personlig verneutstyr for hode, hender, bein og føtter anbefales.** Passende beskyttelseskler vil redusere omfanget av personskade som forårsakes av materiale som slynges gjennom luften, eller kontakt med sagkjedet ved et uhell.
- ◆ **En motorsag må ikke brukes i et tre.** Bruk av motorsag mens brukeren befinner seg i et tre, kan føre til personskade.
- ◆ **Pass på at du alltid har sikkert fotfeste, og bruk motorsagen bare når du står på et fast, sikkert og plant underlag.** Glatte eller ustabile overflater, for eksempel stiger, kan føre til at man mister balansen og kontrollen over motorsagen.

- ◆ **Når du kutter en gren som står i spenn, må du være oppmerksom på at den kan slå mot deg.** Når spennet i trefibrene frigjøres, kan grenen treffe operatøren og/eller slå motorsagen ut av kontroll.
- ◆ **Vær svært forsiktig ved kutting av kratt og busker.** Tynt materiale kan bli fanget i sagkjedet og bli slengt mot deg eller rykke deg ut av balanse.
- ◆ **Motorsagen bæres etter fronthåndtaket, og skal være slått av og vendt bort fra kroppen. Ved transport eller oppbevaring av motorsagen skal dekslet for sverdet alltid være påmontert.** Riktig håndtering av motorsagen vil gi redusert sannsynlighet for utilsikket kontakt med sagkjedet i bevegelse.
- ◆ **Følg anvisningene for smøring, kjedespenning og utskifting av tilbehør.** Et kjede som ikke er strammet eller smurt på riktig måte, kan gå i stykker eller øke faren for tilbakeslag.
- ◆ **Hold håndtakene tørre, rene og fri for olje og fett.** Håndtak med fett eller olje er glatte og kan forårsake at du mister kontrollen.
- ◆ **Kutt bare i tre. Ikke bruk motorsagen til oppgaver den ikke er beregnet for.** Ikke bruk motorsagen til å kutte plast, murverk eller byggematerialer som ikke er av tre. Bruk av motorsagen til andre formål enn det som er angitt, kan føre til farlige situasjoner.

Årsaker til og tiltak for å forhindre tilbakeslag

Tilbakeslag kan forekomme når spissen på sverdet kommer i kontakt med en gjenstand, eller når treverket "lukker seg" og kniper fast sagkjedet.

Når spissen kommer i kontakt med en gjenstand, kan det plutselig oppstå en motsatt reaksjon, som fører til at sverdet slås opp og bakover mot operatøren. Hvis kjedet knipes fast langs øvre kant av sverdet, kan sverdet bli skjøvet fort bakover mot operatøren. Begge disse reaksjonene kan føre til at du mister kontrollen over motorsagen, slik at det oppstår alvorlig personskade. Ikke stol blindt på motorsagens innebygde sikkerhetsinnretninger. Som bruker er det ditt ansvar å ta nødvendige forholdsregler for å unngå uhell og skader.

Tilbakeslag er et resultat av feil bruk av verktøyet og/eller feil brukerprosedyrer eller forhold, og kan unngås ved å ta riktige forholdsregler som forklart nedenfor:

- ◆ **Sørg for at du har et godt grep om sagen med tomler og fingrer rundt motorsagens håndtak. Hold sagen med begge hender, og stå med kroppen og armene slik at du kan motstå tilbakeslagskrefter.** Tilbakeslagskrefter kan beherskes av operatøren hvis riktige forholdsregler tas. Ikke slipp tak i motorsagen.
- ◆ **Ikke strekk deg for langt, og ikke bruk sagen over skulderhøyde.** På denne måten kan du unngå utilsikket kontakt mellom spissen og gjenstander, og få bedre kontroll over motorsagen i uventede situasjoner.

- ◆ **Bruk bare sverd og kjeder som produsenten har angitt.** Bruk av feil reserve-sverd og -kjeder kan føre til kjedebrudd og/eller tilbakeslag.
- ◆ **Følg produsentens anvisninger for sliping og vedlikehold av sagkjedet.** Lavere dybde målerhøyde kan føre til mer tilbakeslag.
- ◆ **Hvis du kommer borti metall, sement eller annet hardt materiale i nærheten av trevirket eller skjult i trevirket, kan det føre til tilbakeslag.**
- ◆ **Et sløvt eller løst kjede kan føre til tilbakeslag.**
- ◆ **Ikke før den inn i et tidligere kuttspor. Dette kan føre til tilbakeslag.** Lag et nytt kutt hver gang.
- ◆ **Vi anbefaler på det sterkeste at personer som bruker motorsag for første gang, får praktisk veiledning i bruk av sagen og personlig verneutstyr fra en erfaren bruker.** Øvelsen bør bestå i å sage ved på en sagkrakk eller en annen form for holder.
- ◆ **Vi anbefaler at du når du bærer motorsagen fjerner batteriet og sørger for at bremsen er på og sagkjedet vender bakover.**
- ◆ **Hold motorsagen i god stand når den ikke er i bruk. Ikke oppbevar motorsagen i lang tid uten først å fjerne kjedet og sverdet, som skal oppbevares nedsenket i olje.** Lagre alle motorsagdelen på et tørt og sikkert sted utilgjengelig for barn.
- ◆ **Vi anbefaler også å tappe oljen ut av oljetanken før sagen settes til oppbevaring.**
- ◆ **Sørg for å ha godt feste, og ha alltid planlagt en sikker vei vekk fra stedet i tilfelle av fallende trær eller grener.**
- ◆ **Bruk kiler for å kontrollere bevegelsen til treet og forhindre at kjedet og sverdet blokkeres i treet.**
- ◆ **Vedlikehold av kjedet. Hold kjedet skarpt, og sørg for at det sitter tett rundt sverdet. Sørg for at kjedet og sverdet er rent og godt smurt med olje.** Hold håndtakene tørre, rene og frie for olje og fett.
- ◆ **Pass på at det er noen andre i nærheten (men på sikker avstand) i tilfelle uhell.**
- ◆ **Hvis du av en eller annen grunn må berøre sagkjedet, må du først kontrollere at motorsagen er koblet fra strømforsyningen/batteriet.**
- ◆ **Støyen fra dette produktet kan overskride 85 dB(A).** Vi anbefaler derfor at du bruker egnet hørselvern.
- ◆ **Mens du håndterer produktet, kan sverdet bli varmt.** Vær varsom.
- ◆ **Hold skjøteledningene unna skjæreelementer.**

Andre personers sikkerhet

- ◆ Dette apparatet kan brukes av barn som er 8 år eller eldre, samt av personer som har reduserte fysiske, sansemessige eller mentale evner, eller som mangler erfaring og kunnskap. Hvis de har tilsyn eller har fått veiledning i

bruk av apparatet på en trygg måte og forstår farene som foreligger.

- ◆ Barn skal ikke leke med apparatet. Rengjøring og brukervedlikehold skal ikke utføres av barn uten tilsyn

Restrisikoer

Når verktøyet brukes, kan det oppstå ytterligere risikoer som kanskje ikke er beskrevet i de medfølgende sikkerhetsadvarslene. Disse risikoene kan bli forårsaket av feil bruk, langvarig bruk osv.

Selv om de relevante sikkerhetsbestemmelsene blir fulgt, og sikkerhetstiltakene blir gjennomført, kan visse gjenværende risikoer ikke unngås. Disse inkluderer:

- ◆ Personskader som forårsakes av berøring av en roterende/bevegelig del.
- ◆ Personskader som oppstår ved skifte av deler, blader eller tilbehør.
- ◆ Personskader som skyldes for lang tids bruk av verktøyet. Når du bruker et verktøy i lange perioder, må du sørge for å ta regelmessige pauser.
- ◆ Hørselskader.
- ◆ Helsefaren forårsaket av innånding av støv som utvikler seg når du bruker verktøyet (eksempel: arbeid med tre, spesielt eik, bøk og MDF.)

Vibrasjon

Vibrasjonsemisjonsverdien som er angitt under tekniske data og samsvarserklæring, er blitt målt i henhold til en standard testmetode som er angitt i EN 60745, og kan brukes til å sammenligne et verktøy med et annet. Den oppgitte vibrasjonsemisjonsverdien kan også brukes til en foreløpig vurdering av eksponering.

Advarsel! Vibrasjonsemisjonsverdien under faktisk bruk av elektroverktøyet kan avvike fra den oppgitte verdien avhengig av måten verktøyet blir brukt på. Vibrasjonsnivået kan øke over nivået som er oppgitt.

Når det vurderes vibrasjonseksponering for å avgjøre hvilke sikkerhetstiltak som kreves ifølge 2002/44/EF, for å beskytte personer som bruker elektroverktøy regelmessig til arbeidsformål, skal det, når vibrasjonseksponeringen anslås, tas hensyn til de faktiske bruksforholdene og måten verktøyet blir brukt på. Dette inkluderer å ta hensyn til alle deler av brukssyklusen, for eksempel når verktøyet er avslått, når det går på tomgang og når utløseren er trykket inn.

Beskärning

Innan du börjar beskära träd bör du ta reda på vad lokala bestämmelser säger om trädfällning.

- ◆ Var medveten om i hvilken riktning grenar kan falla. Ta hensyn til alle förhållanden som kan påverka fallriktningen, bland annat:
 - ◆ längd och vikt på den gren som ska beskäras
 - ◆ den tänkta fallriktningen

- ◆ alla ovanligt kraftiga eller murkna grenar
- ◆ kringstående träd och hinder, även ovanför marken,
- ◆ t.ex. luftledningar
- ◆ sammanflätning med andra grenar
- ◆ vindens hastighet och riktning.
- ◆ Ta hänsyn till avståndet till grenen.

Trädgrenar kan röra sig mot trädstammen. Förutom användaren riskerar även personer som befinner sig i närheten, byggnader samt föremål under grenen att träffas av den fallande grenen.

Etiketter på verktyøyet

Følgende symboler vises på verktyøyet sammen med datokoden:



Advarsel! Brukeren må lese håndboken for å redusere risikoen for personskade.



Hold verktyøyet unna regn eller høy fuktighet.



Vær oppmerksom på fallende gjenstander. Hold andre personer unna.



Fare for dødelig elektrisk støt. Må holdes minst 10 m unna elektriske ledninger i luften.



Bruk alltid hode- og øyebeskyttelse.



Bruk alltid sklisikkert fotteøy.

Du sikrer kontinuerlig sikker bruk ved å kontrollere kjedestrammingen hvert 10. minutt og justere tilbake til klaring på 3 mm etter behov – som beskrevet i denne bruksanvisningen. Smør kjedet med olje hvert 10. minutt under bruk.



Kjedets bevegelsesretning



Advarsel! Ikke berør kjedet i sponutslippsområdet.

Ytterligere sikkerhetsinstruksjoner for batterier og ladere

Batterier

- ◆ Forsøk aldri å åpne av noen årsak.
- ◆ Ikke utsett batteriene for vann.
- ◆ Ikke oppbevar det på steder hvor temperaturen kan komme over 40 °C.
- ◆ Lad bare ved temperaturer mellom 10 og 40 °C.
- ◆ Bruk bare laderen som følger med apparatet.

- ◆ Følg instruksene som finnes i avsnittet "Miljøvern" når du skal kaste batterier.
- ◆ Ikke skad eller deformer batteripakken ved punktering eller støt, da dette kan føre til risiko for personskade og brann.
- ◆ Du må ikke lade skadede batterier.
- ◆ Under ekstreme forhold kan batterielekkasje forekomme. Hvis du oppdager at det er væske på batteriene, tørker du bort væsken forsiktig med en klut. Unngå kontakt med huden.
- ◆ Hvis væsken kommer i kontakt med huden eller øynene, følger du instruksjonene under.

Advarsel! Batterivæsken kan føre til personskade eller skade på eiendom. Ved hudkontakt skyller du umiddelbart med vann. Hvis huden blir rød eller irritert eller smerter inntreffer, søk øyeblikkelig medisinsk hjelp. Hvis væsken kommer i kontakt med øynene, skyller du umiddelbart med rent vann og søker øyeblikkelig medisinsk hjelp.

Ladere

Laderen er konstruert for en bestemt spenning. Kontroller alltid at nettspenningen er i overensstemmelse med spenningen på typeskiltet.

- ◆ Bruk bare BLACK+DECKER-laderen til å lade batteriet i apparatet som laderen ble levert sammen med. Andre batterier kan sprekke og føre til personskade og materiell skade.
- ◆ Prøv aldri å lade ikke-oppladbare batterier.
- ◆ Skift ut defekte ledninger umiddelbart.
- ◆ Ikke utsett laderen for vann.
- ◆ Ikke åpne laderen.
- ◆ Ikke stikk gjenstander eller fingre inn i laderen.
- ◆ Laderen må plasseres på et sted med god gjennomlufting når det lades.

Symboler på laderen

Du finner følgende symboler på laderen:



Laderen er bare beregnet for innendørs bruk.



Les denne håndboken før bruk.

Elektrisk sikkerhet



Denne laderen er dobbeltisolert. Jording er derfor ikke nødvendig. Kontroller alltid at nettspenningen er i overensstemmelse med spenningen på typeskiltet. Ikke skift ut laderen med et vanlig nettstøpsel.

- ◆ Hvis strømledningen blir skadet, må den byttes av produsenten eller et autorisert BLACK+DECKER-service-senter for å unngå fare.

Funksjoner

Dette apparatet har noen av eller alle funksjonene nedenfor.

1. Av/på-bryter
2. Låseknapp
3. Hovedhåndtak
4. Saghode
5. Tannhjulsdeksel
6. Sverd
7. Kjede
8. Sverdbeskyttelse
9. Smøringsflaske
10. Forlengelsesrør
11. Batteri

Figur A

12. Lader

Montering

Advarsel! Fjern batteriet fra verktøyet før montering.

Sette inn og ta ut batteriet (figur B)

- ◆ Når du skal sette inn batteriet (11), holder du det på linje med kontakten på verktøyet. Skyv batteriet inn i kontakten til det klikker på plass.
- ◆ Når du skal ta ut batteriet, trykker du på utløserknappene (13) og trekker samtidig batteriet ut av kontakten.

Advarsel! For å forebygge at sagen starter ved et uhell må du passe på at batteriet er tatt ut og sverdbeskyttelsen er satt på kjeden før du utfører de følgende aktivitetene. Hvis du ikke gjør dette, kan det føre til alvorlig personskade.

Montere saghodet (figur C)

Saghodet kan settes direkte på håndtaket for å gi standard rekkevidde.

- ◆ Plasser sporet på utsiden av koblingsenden av håndtaket (3) med tungen på innsiden av koblingsenden av saghodet (4). Skyv saghodet (4) inn på håndtaket (3).
- ◆ Skyv kragen (14) ned og drei den med klokken til den er helt strammet.

Advarsel! Kontroller koblingene regelmessig for å sikre at de er strammet og sikre.

Utvide saghodet (figur D)

Maksimal rekkevidde kan nås ved å sette forlengerrøret (10) mellom saghodet (4) og håndtaket (3).

- ◆ Plasser sporet på utsiden av koblingsenden av håndtaket (3) med tungen på innsiden av koblingsenden av forlengerrøret (10).
- ◆ Skyv forlengerrøret (10) inn på håndtaket (3).
- ◆ Skyv kragen (15) ned og drei den med klokken til den er helt strammet.

- ◆ Plasser sporet på utsiden av koblingsenden av forlengerrøret (10) med tungen på innsiden av koblingsenden av saghodet (4).
- ◆ Skyv saghodet (4) inn på forlengerrøret (10).
- ◆ Skyv kragen (14) ned og drei den med klokken til den er helt strammet.

Advarsel! Kontroller koblingene regelmessig for å sikre at de er strammet og sikre.

Fjerne saghodet (figur C og D)

Hvis forlengerrøret (10) er satt på, må saghodet fjernes først.

- ◆ Når du skal ta av saghodet (4), hviler du håndtaket (3) på bakken, løsner kragen (14) og tar av saghodet.

Bruk

Advarsel! La verktøyet arbeide i sin egen hastighet. Må ikke overbelastes.

Lading av batteriet - figur A

Batteriet må lades før første gang det brukes, og hver gang det ikke lenger gir nok strøm til oppgaver som tidligere ble utført uten problemer. Batteriet kan bli varmt under lading. Dette er normalt og innebærer ikke feil.

Advarsel! Ikke lad batteriet hvis temperaturen i omgivelsene er under 10 °C eller over 40 °C. Anbefalt ladetemperatur: ca. 24 °C.

Merknad: Laderen vil ikke lade et batteri hvis celleteperaturen er under ca. 10 °C eller over 40 °C. Du bør la batteriet stå i laderen, og laderen begynner å lade automatisk når celleteperaturen blir høyere eller lavere.

- ◆ Når du skal lade batteriet (11), tar du det ut av verktøyet og setter det inn i laderen (12). Batteriet kan bare settes i laderen på én måte. Ikke bruk kraft. Pass på at batteriet sitter helt inne i laderen.
- ◆ Sett i laderen, og slå på ved strømmen.
- ◆ Ladeindikatoren (24) blinker grønt kontinuerlig (langsomt). Ladningen er fullført når ladeindikatoren (24) lyser grønt kontinuerlig. Lader og batteri kan være fortsatt tilkoblet når LED-lampen lyser. LED-lyset begynner å blinke grønt (lader) når laderen av og til "fyller på" batteriet. Ladeindikatoren (24) lyser så lenge batteriet er tilkoblet laderen, og denne er koblet til strømmen.
- ◆ Lad utladete batterier innen 1 uke. Batterienes levetid vil bli mye mindre hvis de oppbevares utladet.

La batteriet være i laderen

Laderen og batteripakken kan være tilkoblet så lenge du vil mens LED-lampen lyser. Laderen vil holde batteriet godt og fullstendig oppladet.

Laderdiagnose

Hvis laderen oppdager et svakt eller skadet batteri, blinker ladeindikatoren (24) rødt med rask takt. Gå frem som følger:

- ◆ Sett inn batteriet (11) på nytt.
- ◆ Hvis ladeindikatoren fortsetter å blinke rødt i rask takt, må du bruke et annet batteri for å finne ut om ladeprosessen fungerer som den skal.
- ◆ Hvis den nye batteripakken lades korrekt, er den opprinnelige batteripakken defekt og bør leveres til et service-senter for resirkulering.
- ◆ Hvis det nye batteriet gir samme indikasjon som det opprinnelige batteriet, bringer du laderen til et autorisert servicesenter.

Merk: Det kan ta så mye som 60 minutter å avgjøre om batteriet er defekt. Hvis batteriet er for varmt eller for Hvis batteriet er for varmt eller for kaldt, blinker LED-lampen rødt vekslende raskt og langsomt, ett blink ved hver hastighet med gjentagelse.

Slå på og av (fig. E)

Av hensyn til din sikkerhet er dette verktøyet utstyrt med et dobbelt brytersystem. Dette systemet hindrer at verktøyet startes ved et uhell.

Slå på

- ◆ Trykk på utløserknappen (2) bakover ved å bruke tom-len og trekk samtidig strømbryteren (1) mot deg.
- ◆ Slipp utløserknappen (2).

Slå av

- ◆ Slipp av/på-knappen (1).

Advarsel! Ikke prøv å låse en bryter i stillingen "på".

Beskjære (figur F)

- ◆ Kontroller at verktøyet har nådd full hastighet før du kutter.
- ◆ Hold verktøyet fast for å unngå mulig hopping eller sidelengs bevegelser av verktøyet. Før verktøyet gjennom grenen med et lett trykk. Når du kutter tunge grener der et delvis kutt kan føre til splintring og skade treet, går du frem slik:
 - ◆ Gjør det første kuttet 15 cm fra trestammen på undersiden av grenen. Bruk toppen av sverdet (6) for å ta dette kuttet.
 - ◆ Kutt gjennom en tredjedel av diameteren på greinen. Kutt deretter fra toppen og nedover.

Rengjøring, vedlikehold og oppbevaring

Det nettdrevne/batteridrevne BLACK+DECKER-apparatet/verktøyet er konstruert for å være i drift over lengre tid med et minimum av vedlikehold.

Det er avhengig av riktig stell og regelmessig rengjøring for å fungere som det skal til enhver tid.

Advarsel! Før du utfører vedlikehold på nettdrevet/batteridrevet elektroverktøy:

- ◆ Slå av apparatet/verktøyet, og trekk ut støpselet
- ◆ Eller slå av apparatet/verktøyet, og fjern batteriet fra dette hvis apparatet/verktøyet har separat batteripakke
- ◆ Eller la batteriet gå helt tomt hvis det er innebygd, og slå deretter av
- ◆ Fjern laderen fra stikkkontakten før du rengjør den. Laderen krever ikke annet vedlikehold enn regelmessig rengjøring.

Rengjør ventilasjonsåpningene i apparatet/verktøyet/laderen jevnlig med en myk børste eller tørr klut.

Rengjør motorhuset regelmessig med en fuktig klut. Ikke bruk slipende eller løsemiddelbaserte rengjøringsmidler.

Åpne chucken regelmessig, og bank på den for å fjerne eventuelt støv fra innsiden (hvis det er aktuelt).

Etter bruk og før oppbevaring

- ◆ Rengjør ventilasjonssporene regelmessig med en ren, tørr malerkost.
- ◆ Rengjør verktøyet bare med mild såpe og en fuktig klut. La det aldri komme væske inn i verktøyet og senk aldri noen deler av verktøyet ned i væske.
- ◆ Fjern rusk med en hard børste.
- ◆ Smør kjeden med olje.

Sette på og ta av sagkjeden (figur G og H)

Advarsel! Bruk alltid vernehansker når du setter på eller tar av sagkjeden. Sagkjeden er skarp og kan kutte deg selv om den ikke er i bevegelse:

- ◆ Sett verktøyet på en fast og stabil overflate.
- ◆ Løsne skruene (16) med unbrakonøkkel som følger med. Ta ut skruene.
- ◆ Ta av tannhjulsdekslet (5) og sverdklemmen (17).
- ◆ Drei skruen (18) mot klokken for å la sverdet (6) trekke seg tilbake og redusere strammingen i sagkjeden (7).
- ◆ Fjern den gamle sagkjeden fra tannhjulet (19) og sverdet (6).
- ◆ Plasser den nye sagkjeden i sporet på sverdet og rundt tannhjulet. Pass på at tennene vender i riktig retning ved å matche pilen på sagkjeden med pilen på huset.
- ◆ Pass på at sporet (20) i sverdet er over styrepinnene (21), og at hullet (22) under sporet er plassert over justeringspinnen (23).
- ◆ Sett på tannhjulsdekslet (5), sverdklemmen (17) og skruene (16) igjen.
- ◆ Stram skruene (16) med unbrakonøkkel som følger med.
- ◆ Juster kjedestrømningen som beskrevet nedenfor.

Kjeden og sverdet må bare erstattes med originale BLACK+DECKER-deler for å sikre varig trygg drift.

Reservekjeden har delenummer A6158 og reservesverdet 623381-00.

Kontrollere og justere kjedestrammingen (figur G)

- ◆ Kontroller kjedestrammingen. Strammingen er korrekt når kjeden (7) spretter tilbake på plass når den blir trukket 3 mm ut fra sverdet ved bruk av liten kraft med langfingeren og tommelen. Det skal ikke være noe "heng" mellom sverdet (6) og sagkjeden (6) på undersiden.

Slik justerer du strammingen:

- ◆ Løsne skruene (16).
- ◆ Drei skruen (18) med klokken.

Advarsel! Ikke stram kjeden for mye, da dette vil føre til for stor slitasje, noe som reduserer levetiden for sverdet og kjeden.

- ◆ Når kjedestrammingen er korrekt, skru du til de to skruene (18).

Advarsel! Når kjeden er ny, må du kontrollere strammingen ofte de to første timene du bruker den, da en ny kjede strekker seg litt.

Smøre kjedet

Bruk bare korrekt oljetype (katalognummer A6027).

- ◆ Smør hele sagkjeden (7) jevnt med applikatoren (9).


Oppbevaring

Når verktøyet ikke skal brukes på flere måneder, skal helst batteriet være koblet til laderen.

Ellers går du frem slik:

- ◆ Lad batteriet fullstendig.
- ◆ Fjern batteriet fra verktøyet.
- ◆ Oppbevar verktøyet og batteriet på et sikkert og tørt sted.
- ◆ Temperaturen under oppbevaring må alltid være i området +10 °C til +40 °C. Plasser batteriet på et flatt underlag.
- ◆ Før du bruker verktøyet etter lang tids oppbevaring, lader du batteriet fullstendig igjen.

Miljøvern

-  Separat avfallshåndtering. Produkter og batterier merket med dette symbolet skal ikke kastes i vanlig husholdningsavfall.

Produkter og batterier inneholder materialer som kan gjenbrukes eller gjenvinnes for å redusere behovet for nye råmaterialer.

Vennligst lever elektrisk utstyr og batterier til gjenbruk i henhold til lokale regler.

Mer informasjon finner du på www.2helpU.com

Tekniske data

PS1820ST1, PS1820L1 H2		
Spenning	V _{DC}	18
Kjedehastighet (uten belastning)	m/s	190
Maks. sagelengde	cm	17
Vekt	kg	3,5
Batteri BL2518		
Spenning	V _{DC}	18
Kapasitet	Ah	2,5
Type		Li-ion
Laddare 906068**		
Inngangsspenning	V _{AC}	230
Utgangsspenning	Ah	18
Strøm	mA	2000

Lydtryknivå, målt i henhold til EN 60745:

Lydtryknivå (L_{WA}) 78 dB(A), usikkerhet (K) 3 dB(A)
Lydeffektivnivå (L_{WEA}) 98 dB(A), usikkerhet (K) 3 dB(A)

Totale vibrasjonsverdier (triaks vektorsum) bestemt i samsvar med EN 60745:

Kutting av nylig felt blott tre (a_{h,vib}) <2,5 m/s², usikkerhet (K) 1,5 m/s²

EU-samsvarserklæring MASKINDIREKTIVET



PS1820ST1, PS1820L1 – grenkutter

Black & Decker erklærer at de produktene som er beskrevet under Tekniske data, er i samsvar med:

EN 60745-1:2009 +A11:2010, EN ISO 11680-1:2011

Disse produktene er også i samsvar med direktiv 2006/42/EF, 2014/30/EU og 2011/65/EU.

Hvis du ønsker mer informasjon, kan du kontakte Black & Decker på adressen under eller se baksiden av bruksanvisningen.

Undertegnede er ansvarlig for utarbeidelsen av den tekniske dokumentasjonen og gir denne erklæringen på vegne av Black & Decker.



A. Smith
Technical Director Black & Decker Europe,
210 Bath Road, Slough,
Berkshire, SL1 3YD
United Kingdom
15/01/2019

Garanti

Black & Decker er trygg på kvaliteten av produktene sine og tilbyr en 24 måneders garanti fra kjøpsdato. Denne garantierklæringen kommer i tillegg til dine lovbestemte rettigheter og er ikke i konflikt med disse. Garantien er gyldig innen områdene tilhørende medlemslandene i den Europeiske Union (EU) og det Europeiske Frihandelsområdet (EFTA).

For å ta garantien i bruk må kravet være i samsvar med kjøpsbetingelsene fra Black&Decker og du må vise kjøpskvittering til forhandleren eller til et autorisert serviceverksted. Betingelsene for Black & Deckers 2 års garanti og adressen til din nærmeste autoriserte serviceverksted kan du finne på internett under www.2helpU.com, eller ved å kontakte ditt lokale Black & Decker kontor, adressen er angitt i denne bruksanvisningen.

Besøk våre nettsider på www.blackanddecker.no for å registrere ditt nye Black & Decker-produkt og for å få informasjon om nye produkter og spesialtilbud.

Tilsigtet bruk

Din BLACK+DECKER™, PS1820ST1, PS1820L1 ledningsfri stangbeskærer er blevet udformet til at beskære trær. Dette værktøj er kun beregnet til forbrugeranvendelse.

Din BLACK+DECKER-lader er utviklet til opladning af BLACK+DECKER-batterier af den type, der følger med dette værktøj.

Sikkerhedsinstruktioner

Generelle sikkerhedsadvarsler vedrørende elværktøj



Advarsel! Læs alle sikkerhedsadvarsler og alle instruktioner. Hvis efterfølgende advarsler og instruktioner ikke følges, er der risiko for elektrisk stød, brand og alvorlige kvæstelser.

Gem alle advarsler og instruktioner til fremtidig reference.

Begrebet "elværktøj", der benyttes i nedenstående advarsler, henviser til netdrevet elværktøj (med netledning) eller batteridrevet elværktøj (uden netledning).

1. Sikkerhed i arbejdsområdet

- Hold arbejdsområdet rent og ordentligt oplyst.** Rodede eller mørke områder giver anledning til ulykker.
- Brug ikke elværktøj i eksplosive omgivelser, f.eks. hvor der er brændbare væsker, gasser eller støv.** Elværktøj danner gnister, der kan antænde støv eller dampe.
- Hold børn og andre personer i nærheden på afstand, når der arbejdes med elværktøj.** Distractioner kan medføre, at du mister kontrollen.

2. Elektricitet og sikkerhed

- Elværktøjets stik skal passe til kontakten. Stikket må aldrig modificeres på nogen måde. Undlad at bruge adapterstik sammen med (jordforbundet) elektrisk værktøj.** Umodificerede stik og dertil passende stikkontakter reducerer risikoen for elektrisk stød.
- Undgå kropskontakt med jordforbundne overflader som f.eks. rør, radiatorer, komfurer og køleskabe.** Der er øget risiko for elektrisk stød, hvis din krop er jordforbundet.
- Udsæt ikke elværktøj for regn, og brug det ikke, hvor omgivelserne er våde.** Hvis der trænger vand ind i et elektrisk værktøj, øges risikoen for elektrisk stød.
- Pas på, at ledningen ikke beskadiges. Brug aldrig ledningen til at bære, trække værktøjet eller trække det ud af stikkontakten. Hold ledningen borte fra varme, olie, skarpe kanter og bevægelige dele.** Beskadigede eller sammenfiltrede ledninger øger risikoen for elektrisk stød.

- e. Hvis elværktøj benyttes i det fri, skal der benyttes en forlængerledning, som er godkendt til udendørs brug. Brug af en ledning, der er egnet til udendørs brug, reducerer risikoen for elektrisk stød.
- f. Brug en strømkilde med fejlstrømsrelæ, hvis det er nødvendigt at anvende elværktøj på fugtige steder. Ved at benytte en fejlstrømsafbryder reduceres risikoen for elektrisk stød.
- ### 3. Personikkerhed
- a. Vær opmærksom, hold øje med, hvad du laver og brug elværktøjet fornuftigt. Betjen ikke værktøjet, hvis du er træt, påvirket af narkotika, alkohol eller medicin. Et øjebliks uopmærksomhed under anvendelse af et elektrisk værktøj kan forårsage alvorlige kvæstelser.
- b. Brug personligt beskyttelsesudstyr. Bær altid beskyttelsesbriller. Det er muligt at reducere risikoen for kvæstelser ved alt efter omstændighederne at anvende det passende sikkerhedsudstyr såsom støvmaske, skridsikre sikkerhedssko, sikkerhedshjelm eller høreværn.
- c. Træf forholdsregler, så udsigtet stort ikke er mulig. Kontrollér, at afbryderkontakten står på slukket, inden værktøjet tilsluttes strømkilden og/eller batteriet, samles op eller bæres. Når elektrisk værktøj bæres med fingeren på kontakten eller tilsluttes, når kontakten er tændt, giver det anledning til ulykker.
- d. Fjern indstillingsnøgle eller skruenøgle, inden elværktøjet startes. En skruenøgle eller anden nøgle, der bliver siddende på en roterende del af elektrisk værktøj, kan forårsage kvæstelser.
- e. Stræk dig ikke for langt. Hold hele tiden en god fodstilling og balance. Dette udgør at du har bedre kontrol over det elektriske værktøj, når uventede situationer opstår.
- f. Brug egnet arbejdstøj. Bær ikke løst tøj eller smykker. Hold dit hår, tøj og handsker væk fra bevægelige dele. Løstsiddende tøj, smykker eller langt hår kan blive fanget i bevægelige dele.
- g. Hvis der kan monteres støvudsugnings- og opsamlingsudstyr, skal dette tilsluttes og benyttes korrekt. Anvendelse af støvsamlingsudstyr kan begrænse farer forårsaget af støv.
- h. Lad ikke kendskab fra hyppig brug af værktøjer gøre dig uforsigtig og få dig til at ignorere principperne for værktøjsikkerhed. En uforsigtig handling kan forårsage alvorlig personskade på en brøkdæl af et sekund.
- ### 4. Brug og vedligeholdelse af elværktøj
- a. Overbelast ikke elværktøjet. Brug det elværktøj, der er bedst egnet til det arbejde, der skal udføres. Det korrekte elværktøj klarer opgaven bedre og mere sikkert med den effekt, som det er konstrueret til.
- b. Brug ikke elværktøjet, hvis afbryderkontakten er defekt. Alt elektrisk værktøj, der ikke kan kontrolleres med kontakten, er farligt og skal repareres.
- c. Træk stikket ud af stikkontakten og/eller batteriet inden indstilling, tilbehørsudskiftning eller opbevaring af elværktøjet. Sådanne forebyggende sikkerhedsforanstaltninger mindsker risikoen for, at værktøjet startes utilsigtet.
- d. Opbevar ubenyttet elværktøj uden for børns rækkevidde. Lad aldrig personer, der ikke er fortrolige med elværktøjet, eller som ikke har læst denne vejledning, benytte maskinen. El-værktøj er farligt i hænderne på personer, som ikke er instrueret i brugen deraf.
- e. Elværktøj skal vedligeholdes. Kontroller, om bevægelige dele er skæve og ikke sidder fast, og om delene er brækket eller beskadiget, så elværktøjets funktion påvirkes. Hvis det elektriske værktøj er beskadiget, skal det repareres før brug. Mange ulykker er forårsaget af dårligt vedligeholdt værktøj.
- f. Hold skæreværktøj skarpt og rent. Ordentligt vedligeholdt skæreværktøj med skarpe skærekanter har mindre tilbøjelighed til at binde og er lettere at styre.
- g. Brug elværktøjet, tilbehøret, værktøjsindsatser osv. i overensstemmelse med disse instruktioner under hensyntagen til arbejdsforholdene og arbejdet, der skal udføres med værktøjet. Brug af elektrisk værktøj til andre opgaver end dem, det er beregnet til, kan resultere i en farlig situation.
- h. Hold håndtagene og håndtagsfladerne tørre, rene og fri for olie og fedt. Glatte håndtag og håndtagsflader giver ikke en sikker håndtering og kontrol af værktøjet i uventede situationer.
- ### 5. Brug og pleje af batteriværktøj
- a. Genoplad kun med den oplader, som producenten har angivet. En oplader, der passer til en type batteripakke, kan udgøre en risiko for brand, når den bruges til en anden type.
- b. Elværktøj må kun bruges med batteripakker, der er beregnet hertil. Brugen af andre batteripakker kan medføre personskade og brand.
- c. Når batteripakken ikke er i brug, skal den holdes på afstand af andre metalgenstande, f.eks. papirclips, mønter, nøgler, søm, skruer og andre små metalgenstande, som kan skabe forbindelse mellem de to poler. Kortslutning af batteriet kan forårsage forbrændinger eller brand.
- d. Under grove forhold kan væske sive ud fra batteriet; undgå kontakt. Hvis der opstår kontakt ved et uheld, skyl med vand. Hvis væske kommer ind i øjnene, søg omgående lægehjælp. Væske, der siver ud fra batteriet, kan fremkalde irriterationer eller forbrændinger.

- e. **Brug ikke en batteripakke eller et værktøj, der er beskadiget eller modificeret.** Beskadigede eller modificerede batterier kan udvise uforudsigelig adfærd, hvilket kan resultere i brand, eksplosion eller risiko for personskade.
 - f. **Udsæt ikke en batteripakke eller et værktøj for ild eller for høj temperatur.** Udsættelse for ild eller temperatur på over 130 °C kan forårsage eksplosion.
 - g. **Følg alle opladningsanvisninger, og undlad at oplade batteripakken eller værktøjet uden for det temperaturinterval, der er specificeret i instruktionerne.** En forkert opladning eller opladning uden for det specificerede interval kan beskadige batteriet og øge risikoen for brand.
6. **Service**
- a. **Lad kun fagkyndige personer reparere elværktøjet og benyt kun originale reservedele.** Derved sikres det, at værktøjets driftssikkerhed opretholdes.
 - b. **Der må aldrig foretages service på beskadigede batteripakker.** Service af batteripakker bør kun udføres af producenten eller autoriserede serviceudbydere.

Yderligere sikkerhedsadvarsler for elværktøj



Advarsel! Yderligere sikkerhedsvejledning for beskæringssave

- ◆ **Hold alle dele af kroppen væk fra savkæden, når kædesaven anvendes. Før du starter kædesaven, skal du sikre dig, at savkæden ikke er i kontakt med noget.** Få sekunders uopmærksomhed ved brugen af kædesave kan medføre, at dit tøj eller din krop kommer i kontakt med kædesaven.
- ◆ **Hold altid kædesaven med højre hånd på det bageste håndtag og venstre hånd på det forreste håndtag.** Hold aldrig kædesaven med hænderne placeret omvendt, da dette øger risikoen for personskade.
- ◆ **Hold kun i elværktøjets isolerede grebflader, da savkæden kan komme i kontakt med skjulte ledninger.** Hvis savkæden kommer i kontakt med en strømførende ledning, bliver elværktøjets blotlagte dele strømførende, så brugeren får stød.
- ◆ **Bær beskyttelsesbriller og høreværn. Det anbefales at benytte yderligere beskyttelsesudstyr til hoved, hænder, ben og fødder.** Tilstrækkelig beskyttende beklædning mindsker personskaden i tilfælde af flyvende materiale eller kontakt med savkæden ved et uheld.
- ◆ **Anvend ikke kædesaven i et træ.** Anvendelse af kædesaven, mens man befinder sig i et træ, kan medføre personskade.
- ◆ **Sørg altid for at have et godt fodfæste, og brug kun kædesaven, når du står på en fast, solid og jævn**

overflade. Glatte eller ustabile overflader som f.eks. stiger kan medføre, at du mister balancen eller kontrollen med kædesaven.

- ◆ **Ved savning i en stammedel, der står under spænding, skal du være opmærksom på eventuel tilbagefjedring.** Når spændingen i træfibrene udløses, kan den fjederbelastede stammedel ramme brugeren og/eller bringe kædesaven ud af kontrol.
- ◆ **Udvis stor forsigtighed ved savning i småkviste og unge træer.** Det tynde materiale kan gribe fat i savkæden og blive slynget tilbage mod dig eller skubbe dig ud af balance.
- ◆ **Bær kædesaven i det forreste håndtag med kædesaven slukket og vendt bort fra kroppen. Monter altid sværdækslet ved transport eller opbevaring af kædesaven.** Korrekt håndtering af kædesaven mindsker risikoen for at komme i berøring med savkæden ved et uheld, mens den kører.
- ◆ **Følg instruktionerne vedrørende smøring, stramning af kæden og udskiftning af tilbehør.** Forkert strammede eller smurte kæder kan knække eller forøge risikoen for tilbageslag.
- ◆ **Hold håndtagene tørre, rene og fri for olie og fedt.** Fedtede håndtag er glatte og kan forårsage, at du mister kontrollen over maskinen.
- ◆ **Sav kun i træ. Brug ikke kædesaven til formål, den ikke er beregnet til.** For eksempel: brug ikke kædesaven til at save i plastik, murværk eller byggematerialer, som ikke er af træ. Hvis kædesaven anvendes til andre formål, end den er beregnet til, kan der opstå farlige situationer.

Årsager og operatørforhindring af tilbageslag

Tilbageslag kan forekomme, når spidsen af sværdet berører en genstand, eller når træet lukkes sammen, så savkæden kommer i klemme i snittet.

Kontakt på spidsen kan forårsage en pludselig modsat reaktion, så sværdet slås opad og bagud mod brugeren. Fastklemning af savkæden oven på sværdet kan medføre, at sværdet skubbes hurtigt tilbage mod brugeren. Begge disse reaktioner kan føre til, at du mister kontrollen med kædesaven, hvilket kan medføre alvorlig personskade. Du må ikke udelukkende forlade dig på de indbyggede sikkerhedsfunktioner i kædesaven. Som bruger af en kædesav skal du træffe en række forholdsregler for at undgå uheld eller personskade, når du arbejder.

Et tilbageslag opstår som følge af forkert brug og/eller misbrug af værktøjet. Det kan undgås ved at tage nedenstående forholdsregler:

- ◆ **Hold godt fast, således at tommelfingeren og de øvrige fingre griber omkring håndtagene på kædesaven. Hold begge hænder på kædesaven, og placer kroppen**

og armen, så du kan modstå tilbageslagskraften.

Tilbageslagskræfterne kan kontrolleres af brugeren, hvis der træffes de nødvendige forholdsregler. Slip ikke kædesaven.

- ◆ **Ræk dig ikke for langt, og undlad at save over skulderhøjde.** Derved undgås berøring af spidsen ved et uheld, og du har bedre kontrol med kædesaven i uventede situationer.
- ◆ **Anvend kun udskiftningssværd og -kæder, som er godkendt af producenten.** Forkerte udskiftningssværd og -kæder kan medføre, at kæden knækker og/eller tilbageslag.
- ◆ **Følg producentens instruktioner vedrørende slibning og vedligeholdelse af savkæden.** Hvis dybdemålerens højde reduceres, forøges risikoen for tilbageslag.
- ◆ **Hvis sværdet rammer metal, cement eller andre hårde materialer ved siden af eller indlejret i træet, kan der forekomme tilbageslag.**
- ◆ **En sløv eller løs kæde kan forårsage tilbageslag.**
- ◆ **Forsøg ikke at indsætte den i et tidligere snit, da dette kan forårsage tilbageslag.** Lav et nyt snit hver gang.
- ◆ **Vi anbefaler kraftigt, at førstegangsbrugere modtager praktisk vejledning i brugen af kædesaven og beskyttelsesudstyr fra en øvet bruger.** Indledende øvelser bør udføres ved at save i stammer på en savbuk eller et stativ.
- ◆ **Vi anbefaler, at du fjerner batteriet og sikrer dig, at savkæden vender bagud, når du bærer kædesaven.**
- ◆ **Kædesaven skal vedligeholdes, når den ikke er i brug.** Kædesaven må ikke opbevares i længere tid, uden at savkæden og sværdet er afmonteret. Disse dele skal opbevares neddyppet i olie. Opbevar alle kædesavens dele på et tørt, sikkert sted uden for børns rækkevidde.
- ◆ **Vi anbefaler, at du tømmer oliebeholderen, før kædesaven lægges til opbevaring.**
- ◆ **Sørg for, at du har et sikkert fodfæste, og planlæg en sikker flugtvej fra et faldende træ eller faldende grene, før savningen påbegyndes.**
- ◆ **Brug kiler til at hjælpe med at styre fældningen og forhindre, at sværdet og savkæden sætter sig fast i træet.**
- ◆ **Behandling af savkæden.** Hold savkæden skarp og stram på sværdet. Sørg for, at savkæden og sværdet er rene og velsmurte. Sørg for, at håndtagene er tørre, rene og fri for olie og fedt.
- ◆ **Der skal altid være en person i nærheden (men i sikker afstand), hvis der skulle ske et uheld.**
- ◆ **Hvis du af en eller anden grund skal røre ved savkæden, skal du sørge for, at kædesaven er afbrudt fra batteriet.**
- ◆ **Støjen fra dette produkt kan overstige 85 dB(A).** Vi anbefaler derfor, at du tager de relevante forholdsregler til beskyttelse af hørelsen.

- ◆ **Sværdet kan blive varmt, når produktet anvendes.** Vær forsigtig med ved omgang med dette.
- ◆ **Hold forlængerledningen væk fra skærelementer.**

Andres sikkerhed

- ◆ Dette apparat må bruges af personer i alderen 8 år og derover, og af personer med nedsatte fysiske, sensoriske eller mentale handicaps, eller mangel på erfaringer, viden eller færdigheder. Hvis de holdes under opsyn eller har modtaget vejledning i sikker brug af apparatet og forstår de involverede farer.
- ◆ Børn må ikke lege med apparatet. Rengøring og brugervedligeholdelse må ikke foretages af børn uden opsyn.

Tilbageværende risici

Der kan opstå yderligere, tilbageværende risici under brugen af apparatet, som muligvis ikke behandles i de vedlagte sikkerhedsadvarsler. Disse risici kan opstå pga. forkert anvendelse, langvarig brug etc.

Selv ved overholdelse af relevante sikkerhedsforskrifter og anvendelse af sikkerhedsudstyr kan visse resterende risici ikke undgås. Disse omfatter:

- ◆ Kvæstelser forårsaget af berøring af roterende/bevægelige dele.
- ◆ Kvæstelser forårsaget af udskiftning af dele, klinger eller tilbehør.
- ◆ Kvæstelser forårsaget af langvarig brug af et værktøj. Husk at holde pause jævnlige ved brug af et apparat i længere tid.
- ◆ Hørenedsættelse.
- ◆ Sundhedsrisici forårsaget af indånding af støv, der genereres ved brug af værktøjet (eksempel: arbejde med træ, især, eg, bøg og MDF.)

Vibration

De angivne værdier for udsendelse af vibration anført under de tekniske data og overensstemmelseserklæringen er målt i henhold til standardtestmetoden i EN 60745 og kan bruges til at sammenligne ét værktøj med et andet. Den angivne vibrationsmissionsværdi kan også bruges i forbindelse med en foreløbig vurdering af eksponeringen.

Advarsel! Værdien for vibrationsmission med faktisk brug af elværktøjet kan afvige fra den angivne værdi afhængig af måden, værktøjet anvendes på. Vibrationsniveauet kan overstige det angivne niveau.

I vurderingen af eksponeringen for vibration med henblik på fastsættelse af sikkerhedsforanstaltninger som krævet i 2002/44/EF til beskyttelse af personer, der jævnligt anvender elværktøj i deres arbejde, skal der tages hensyn til de faktiske betingelser under brugen, og måden værktøjet bruges på, herunder alle arbejdsrytters afsnit, f.eks. perioder, hvor

værktøjet er slukket, og hvor det kører i tomgang, tillige med startperioderne.

Beskæring

Før et træ beskæres, skal det kontrolleres, at der ikke er vedtægter eller bestemmelser, som forbyder eller begrænser fældning af træer.

- ◆ Vær opmærksom på den retning, grene kan falde i. Tag alle forhold, som kan påvirke faldretningen, i betragtning, herunder:
 - ◆ Længde og vægt af den gren, der skal skæres af
 - ◆ Den tilsigtede faldretning
 - ◆ En usædvanlig tung stammestruktur eller forrådnelse
 - ◆ Omkringstående træer og hindringer
 - ◆ inkl. el-ledninger
 - ◆ Sammenfletning med andre grene
 - ◆ Vindens hastighed og retning
 - ◆ Overvej adgangen til grenen.

Grene svinger ofte mod træstammen. Ud over brugeren kan omkringstående personer, bygninger eller genstande under grenen risikere at blive ramt af den nedfaldende gren.

Mærkater på værktøjet

Værktøjet er forsynet med følgende piktogrammer sammen med en datokode:



Advarsel! Brugeren skal læse brugervejledningen for at reducere risikoen for kvæstelser.



Udsæt ikke værktøjet for regn eller høj luftfugtighed.



Brug altid hovedbeskyttelse, høreværn og sikkerhedsbriller.



Bær altid skridsikkert fodtøj.



Vær opmærksom på faldende genstande.



Hold andre personer på afstand.



Kontrollér kædestramningen som beskrevet i denne vejledning for hver 10 minutters brug, for at sikre, at saven er sikker i brug, og juster til en afstand på 3 mm som påkrævet. Smør kæden for hver 10 minutters brug.



Kædens omløbsretning



Advarsel! Rør ikke kæden ved spånudgangen.

Yderligere sikkerhedsvejledninger for batterier og ladere

Batterier

- ◆ Forsøg aldrig at åbne den af en eller anden grund.
- ◆ Batteriet må ikke udsættes for vand.
- ◆ Må ikke opbevares på steder, hvor temperaturen kan overstige 40°C.
- ◆ Foretag kun opladning ved omgivelsestemperaturer mellem 10°C og 40°C.
- ◆ Oplad kun ved hjælp af den medfølgende lader.
- ◆ Ved bortskaffelse af batterierne, skal du følge anvisningerne i afsnittet "Beskyttelse af miljøet".
- ◆ Undgå at beskadige/deformere batteripakken ved at punktere den eller slå på den, da dette kan forårsage risiko for tilskadekomst eller brand.
- ◆ Beskadede batterier må ikke oplades.
- ◆ Under ekstreme forhold kan der forekomme batterilækage. Når du bemærker væske på batterierne, skal du omhyggeligt tørre væsken af med en klud. Undgå kontakt med huden.
- ◆ I tilfælde af kontakt med hud eller øjne, skal du følge nedenstående anvisninger.

Advarsel! Batterivæsken kan forårsage personskader eller materielle skader. I tilfælde af kontakt med huden skylles straks med vand. Søg læge, hvis der opstår rødme, smerte eller irritation. Skyl straks med rent vand, og søg læge i tilfælde af kontakt med øjnene.

Opladere

Opladeren er udviklet til en specifik spænding. Kontroller altid, at netspændingen svarer til spændingen på typeskiltet.

- ◆ Brug kun din BLACK+DECKER-lader til at oplade batteriet i det værktøj, som den blev leveret sammen med. Andre batterier kan eksplodere og forårsage kvæstelser og materielle skader.
- ◆ Forsøg aldrig at oplade ikke-genopladelige batterier.
- ◆ Udskift straks defekte ledninger.
- ◆ Opladeren må ikke udsættes for vand.
- ◆ Opladeren må ikke åbnes.
- ◆ Opladeren må ikke undersøges.
- ◆ Opladeren skal ved opladning anbringes et sted med god udluftning.

Symboler på laderen

Laderen er forsynet med følgende advarselssymboler:



Opladeren er kun beregnet til indendørs brug.



Læs brugervejledningen, før værktøjet tages i brug.

Elektricitet og sikkerhed



Opladeren er dobbelt isoleret. Derfor er en jordledning ikke nødvendig. Kontroller altid, at net-spændingen svarer til spændingen på typeskiltet. Forsøg aldrig at erstatte opladerenheden med et almindeligt netstik.

- ◆ Hvis netledningen beskadiges, skal den udskiftes af producenten eller et autoriseret BLACK+DECKER-værksted, så farlige situationer undgås.

Funktioner

Dette apparat leveres med nogle af eller alle de følgende komponenter.

1. Afbryderkontakt
2. Låseknop
3. Hovedhåndtag
4. Savhoved
5. Afdækning af kædehjulstand
6. Sværd
7. Kæde
8. Kædedæksel
9. Smøremiddelflaske
10. Forlængerrør
11. Batteri

Fig. A

12. Lader

Samling

Advarsel! Tag batteriet ud af værktøjet, inden det samles.

Montering og afmontering af batteriet (fig. B)

- ◆ Anbring batteriet (11) ud for værktøjets fatning for at isætte batteriet. Lad batteriet glide ind i fatningen, og skub, indtil batteriet går på plads.
- ◆ Tryk på udløserknappen (13), og træk samtidigt batteriet ud af fatningen for at tage batteriet ud.

Advarsel! For at forhindre utilsigtet drift skal du sikre dig, at batteriet er taget ud, og at kædedækslet sidder på savkæden, før du udfører følgende handlinger. I modsat fald kan der opstå alvorlige personskader.

Montering af savhovedet (fig. C)

Savhovedet kan monteres direkte på håndtaget for at opnå standardrækkevidde.

- ◆ Sæt rillen på ydersiden af håndtagets koblingsende (3) ud for tungen på indersiden af savhovedets koblingsende (4). Skub savhovedet (4) på håndtaget (3).
- ◆ Skub kraven (14) ned, og drej den med uret, til den er helt spændt.

Advarsel! Kontroller jævnligt, at forbindelserne er helt spændt.

Forlængelse af savhovedet (fig. D)

Maksimal rækkevidde kan opnås ved at montere forlængerrøret (10) mellem savhovedet (4) og håndtaget (3).

- ◆ Sæt rillen på ydersiden af håndtagets koblingsende (3) ud for tungen på indersiden af forlængerrørets koblingsende (10).
- ◆ Skub forlængerrøret (10) på håndtaget (3).
- ◆ Skub kraven (15) ned, og drej den med uret, til den er helt spændt.
- ◆ Sæt rillen på ydersiden af forlængerrørets koblingsende (10) ud for tungen på indersiden af savhovedets koblingsende (4).
- ◆ Skub savhovedet (4) på forlængerrøret (10).
- ◆ Skub kraven (14) ned, og drej den med uret, til den er helt spændt.

Advarsel! Kontroller jævnligt, at forbindelserne er helt spændt.

Afmontering af savhovedet (fig. C og D)

Hvis forlængerrøret (10) er monteret, skal savhovedet afmonteres først.

- ◆ For at afmontere savhovedet (4) skal håndtaget (3) lægges på jorden, hvorefter kraven (14) løsnes, og savhovedet tages af.

Anvendelse

Advarsel! Lad værktøjet arbejde i dets eget tempo. Det må ikke overbelastes.

Opladning af batteriet (Fig. A)

Batteriet skal oplades inden ibrugtagningen, og når det ikke leverer strøm nok til opgaver, der tidligere kunne udføres ubesværet. Batteriet kan blive varmt under opladningen. Det er normalt og ikke tegn på problemer.

Advarsel! Batteriet må ikke oplades i omgivelsestemperaturer under 10 °C eller over 40 °C. Anbefalet ladetemperatur: ca. 24 °C.

Bemærk: Opladeren oplader ikke et batteri, hvis dets temperatur er under ca. 10°C eller over 40°C.

Batteriet bør blive siddende i opladeren, som automatisk begynder opladningen, når batteriets temperatur stiger eller falder.

- ◆ Tag batteriet (11) ud, og sæt det i opladeren (12), når det skal oplades. Batteriet passer kun i opladeren på én måde. Tving dem ikke. Kontroller, at batteriet er sat helt i opladeren.
- ◆ Tilslut opladeren og tænd på stikkontakten.
- ◆ Ladeindikatoren (24) blinker konstant grønt (langsomt). Ladningen er afsluttet, når ladeindikatoren (24) lyser konstant grønt. Du kan lade opladeren og batteriet være tilsluttet i

længere tid med tændt lysdiode. Lysdioden begynder at blinke grønt (opladning), når laderen en gang imellem efterfylder batteriet. Ladeindikatoren (24) lyser, så længe batteriet er tilsluttet til laderen, der er sat i stikkontakten.

- ◆ Afladede batterier bør oplades inden for 1 uge. Batteriets levetid reduceres kraftigt, hvis batteriet opbevares i afladet tilstand.

Lad batteriet blive siddende i opladeren

Du kan lade batteripakken sidde i laderen med tændt lysdiode, så længe det ønskes. Opladeren holder batteripakken frisk og helt opladet.

Fejlfinding af opladeren

Ladeindikatoren (24) blinker hurtigt rødt, hvis laderen registrerer et svagt eller beskadiget batteri. Gør som følger:

- ◆ Sæt batteriet (11) i igen.
- ◆ Hvis ladeindikatoren fortsætter med at blinke hurtigt rødt, skal du bruge et andet batteri til at kontrollere, om opladningen sker korrekt.
- ◆ Hvis det andet batteri lades korrekt, er det oprindelige batteri defekt og skal indleveres til genbrug på et servicecenter.
- ◆ Hvis det andet batteri lades korrekt, er det oprindelige batteri defekt og skal indleveres til genbrug på et servicecenter.

Bemærk: Det kan tage op til 60 minutter at konstatere, at batteriet er defekt. Hvis batteriet er for varmt eller for koldt, blinker lysdioden rødt skiftevis hurtigt og langsomt med et blink ved hver frekvens, hvorefter sekvensen gentages.

Tænd og sluk (fig. E)

Af sikkerhedsmæssige hensyn er værktøjet udstyret med et dobbelt afbrydersystem. Dette system forhindrer utilsigtet start af værktøjet.

Tænd

- ◆ Skub låseknappen (2) tilbage med tommefingeren, og klem samtidig på afbryderen (1).
- ◆ Slip låseknappen (2).

Sluk

- ◆ Slip tænd/sluk-kontakten (1).

Advarsel! Forsøg aldrig at fastlåse en kontakt i tændt position.

Beskæring (fig. F)

- ◆ Lad værktøjet køre ved fuld hastighed, før der saves.
- ◆ Hold godt fast i værktøjet for at undgå pludselig hoppen eller sideværts bevægelse af værktøjet.
- ◆ Før værktøjet gennem grenen med et let tryk. Fortsæt som følger ved savning i tunge grene, hvor et delvist snit kan splintre og beskadige træet:

- ◆ Læg det første snit 15 cm fra træstammen på undersiden af grenen. Brug spidsen af sværdet (7) til at foretage dette snit.
- ◆ Sav en tredjedel gennem grenens diameter. Sav derefter ned oppefra.

Rengøring, vedligeholdelse og opbevaring

Dit BLACK+DECKER-apparat/værktøj med eller uden ledning er beregnet til brug gennem lang tid med et minimum af vedligeholdelse.

Fortsat tilfredsstillende drift afhænger af korrekt behandling af værktøjet samt regelmæssig rengøring.

Advarsel! Kontroller jævnligt, at forbindelserne er helt spændt.

- ◆ Sluk, og tag apparatets/værktøjets stik ud af stikkontakten
 - ◆ Eller sluk og fjern batteriet fra apparatet/værktøjet, hvis det har en separat batteripakke
 - ◆ Eller aflad batteriet helt, hvis det er indbygget, og sluk derefter
 - ◆ Træk laderen ud af stikkontakten, før den rengøres.
- Laderen kræver ingen vedligeholdelse, men skal rengøres jævnligt.

Rengør jævnligt apparatets/værktøjets/laderens ventilationshuller med en blød børste eller en tør klud.

Rengør med jævne mellemrum motorhuset med en fugtig klud. Der må ikke bruges skuremidler eller opløsningsmidler.

Åbn jævnligt patronen, og bank på den for at fjerne indvendigt støv (hvis monteret).

Efter brug og før opbevaring

- ◆ Rengør regelmæssigt ventilationsåbningerne med en ren, tør pensel.
- ◆ Brug kun en mild sæbe og en fugtig klud til rengøring af værktøjet. Lad aldrig væske trænge ind i værktøjet, og nedsænk aldrig nogen del af værktøjet i væske.
- ◆ Fjern snavs med en hård børste.
- ◆ Smør kæden med olie.

Montering og afmontering af savkæden (fig. G og H)

Advarsel! Anvend altid beskyttelseshandsker ved montering og afmontering af savkæden. Savkæden er skarp, og man kan skære sig på den, selv om den ikke kører.

- ◆ Anbring værktøjet på en fast og stabil overflade.
- ◆ Løsn skruerne (16) med den medfølgende unbrakonøgle. Fjern skruerne.
- ◆ Fjern afdækningen af kædehjulstand(5) og sværdbeslaget (17).
- ◆ Drej skruen (18) mod uret, så sværdet (6) trækkes tilbage, og savkædens (7) stramning reduceres.
- ◆ Fjern den gamle savkæde fra kædehjulstanden (19) og sværdet (6).

- ◆ Læg den nye savkæde i sværdets rille og omkring kædehjulstanden. Vend tænderne i den korrekte retning ved at sættes pilen på savkæden ud for pilen på huset.
- ◆ Kontroller, at rillen (20) i sværdet sidder over monteringsstifterne (21), og at hullet (22) under rullen sidder over justeringsstiften (23).
- ◆ Monter afdækningen af kædehjulstand(5), sværdbeslaget (17) og skruerne (16) igen.
- ◆ Skrue skruerne (16) med den medfølgende unbrakonøgle.
- ◆ Juster kædens stramning som beskrevet herunder.

For at sikre konstant sikker drift må kæde og sværd kun udskiftes med originale dele fra BLACK+DECKER. Kædens reservedelsnummer er A6158, sværdets reservedelsnummer er 623381-00.

Kontrol og justering af kædens stramning (fig. G)

- ◆ Kontroller savkædens stramning. Stramningen er korrekt, når savkæden (7) springer tilbage efter af være trukket 3 mm fri af sværdet med let kraft af langfingeren og tommelfingeren. Der må ikke være nogen "nedbøjning" mellem sværdet (6) og kæden (7) på undersiden.

Sådan justeres stramningen:

- ◆ Løsn skruerne (16).
- ◆ Drej skruen (18) med uret.

Advarsel! Stram ikke kæden for kraftigt, da dette vil medføre kraftig slitage og afkorte sværdets og kædens levetid.

- ◆ Spænd skruerne (18), når kædens stramning er korrekt.

Advarsel! Når savkæden er ny, skal stramningen kontrolleres ofte under de første to timers brug, da nye savkæder strækker sig en smule.

Smøring af kæden

Savkæden skal altid smøres før brug og efter rengøring med olie af korrekt kvalitet (kat. nr. A6027).

- ◆ Smør hele savkæden (7) jævnt vha. applikatoren (9).

Opbevaring

Hvis værktøjet ikke skal bruges i flere måneder, er det bedst at lade batteriet sidde i laderen.

Eller gør som følger:

- ◆ Oplad batteriet helt.
- ◆ Fjern batteriet fra værktøjet.
- ◆ Opbevar værktøjet og batteriet på et sikkert og tørt sted.
- ◆ Opbevaringstemperaturen skal ligge mellem +10°C og +40°C. Anbring batteriet på en plan overflade.
- ◆ Oplad batteriet helt, inden værktøjet tages i brug igen efter længere tids opbevaring.

Miljøbeskyttelse



Særskilt bortskaffelse. Produkter og batterier mærket med dette symbol må ikke bortskaffes sammen med normalt husholdningsaffald.

Produkter og batterier indeholder materialer, der kan genvindes eller genbruges og således reducere efterspørgslen efter råvarer.

Genbrug venligst elektriske produkter og batterier i henhold til lokale bestemmelser.

Yderligere informationer findes på www.2helpU.com

Tekniske data

PS1820ST1, PS1820L1 H2		
Spænding	V _{DC}	18
Kædehastighed (ubelastet)	m/s	190
Maks. skærelængde	cm	17
Vægt	kg	3,5
Batteri (Såfremt oplysninger)		BL2518
Spænding	V _{DC}	18
Kapacitet	Ah	2,5
Type		Li-ion
Lader (Såfremt oplysninger)		906068**
Indgangsspænding	V _{AC}	230
Udgangsspænding	Ah	18
Udgangsstrømstyrke	mA	2000

Lydniveaueet i henhold til EN 60745:

Lydtryk (L_p) 78 dB(A), usikkerhed (K) 3 dB(A)
Lydintensitet (L_{wa}) 98 dB(A), usikkerhed (K) 3 dB(A)

Samlede værdier for vibration (triaksial vektorsum) i henhold til EN 60745:

Savning i nyfældet, blødt træ (a_{rw}) <2,5 m/s², usikkerhed (K) = 1,5 m/s²

EU-overensstemmelseserklæring MASKINDIREKTIV DIREKTIV OM STØJEMISSION FRA



PS1820ST1, PS1820L1 – stangbeskærer

Black & Decker erklærer, at produkterne beskrevet under "Tekniske data" er i overensstemmelse med:

EN 60745-1:2009 +A11:2010, EN ISO 11680-1:2011

Disse produkter er endvidere i overensstemmelse med direktiv 2006/42/EF, 2014/30/EU og 2011/65/EU.

Kontakt Black & Decker på nedenstående adresse eller se vejledningens bagside for at få yderligere oplysninger.

Undertegnede er ansvarlig for udarbejdelsen af de tekniske data og fremsætter denne erklæring på vegne af Black & Decker.



A. Smith
Technical Director Black & Decker Europe,
210 Bath Road, Slough,
Berkshire, SL1 3YD
Storbritannien
15/01/2019

Garanti

Black & Decker er overbevist om den gode kvalitet af sine produkter og giver forbrugerne en garanti på 24 måneder fra købsdatoen. Garantien er et tillæg til forbrugers lovmæssige rettigheder og påvirker ikke disse. Garantien er gyldig inden for medlemsstaterne af Den Europæiske Union og Det Europæiske Frihandelsområde.

Når du gør krav på garantien, skal kravet være i overensstemmelse med Black & Decker vilkår og betingelser, og du skal indsende dokumentation for købet til sælgeren eller til en autoriseret reparatør. Vilkår og betingelser for Black & Decker 2 års garanti og placeringen af dit nærmeste autoriserede serviceværksted kan fås på internettet på www.2helpU.com, eller ved at kontakte dit lokale Black & Decker kontor på den adresse, der er angivet i denne vejledning.

Besøg venligst vores websted www.blackanddecker.co.uk for at registrere dit nye Black & Decker produkt og modtage opdateringer om nye produkter og specielle tilbud.

Käyttötarkoitus

Johdotoon BLACK+DECKER™, PS1820ST1, PS1820L1 -varsielikkuri on tarkoitettu puiden karsimiseen. Tämä työkalu on tarkoitettu vain kuluttajien käyttöön. BLACK+DECKER laturi on tarkoitettu tämän laitteen mukana toimitettujen akkujen kaltaisten BLACK+DECKER akkujen lataamiseen.

Turvallisuusohjeet

Sähkötyökalujen yleiset turvavaroitukset



Varoitus! Lue kaikki turvallisuusvaroitukset ja ohjeet. Alla olevien varoitusten ja ohjeiden noudattamisen laiminlyönti saattaa johtaa sähköiskuun, tulipaloon ja/tai vakavaan loukkaantumiseen.

Säästä kaikki varoitukset ja ohjeet tulevaa käyttöä varten. Ohjeissa käytetty käsite "sähkötyökalu" tarkoittaa verkkokäyttöisiä sähkötyökaluja (verkkojohdolla varustettuja) ja akkukäyttöisiä sähkötyökaluja (ilman verkkojohtoa).

1. Työalueen turvallisuus

- Pidä työalue puhtaana ja hyvin valaistuna.**
Onnettomuuksia sattuu herkemmin epäsiistissä tai huonosti valaistussa ympäristössä.
- Älä käytä sähkötyökalua räjähdysalttiissa ympäristössä, jossa on syttyvää nestettä, kaasua tai pölyä.** Sähkötyökalujen aiheuttamat kipinät voivat sytyttää pölyn tai kaasut.
- Pidä lapset ja sivulliset loitolla sähkötyökalua käyttäessäsi.** Keskittymiskyvyn herpaantuminen voi aiheuttaa hallinnan menettämisen.

2. Sähköturvallisuus

- Sähkötyökalun pistokkeen on sovitava pistorasiaan. Älä koskaan tee pistokkeeseen mitään muutoksia. Älä yhdistä maadoitettua sähkötyökalua jatkojohtoon.** Sähköiskun vaara vähenee, jos pistokkeisiin ei tehdä muutoksia ja ne yhdistetään vain niille tarkoitettuihin pistorasioihin.
- Vältä koskettamasta maadoitettuja pintoja, kuten putkia, lämpöpattereita, liesiä tai jääkaappeja.** Voit saada sähköiskun, jos kehosi on maadoitettu.
- Älä altista sähkötyökalua sateelle tai kosteudelle.** Sähkötyökaluun menevä vesi lisää sähköiskun vaaraa.
- Älä käsittele virtajohtoa kovakouraisesti. Älä kannata työkaluja sähköjohdosta tai vedä pistoketta pistorasiasta sähköjohdon avulla. Pidä sähköjohto kaukana kuumuudesta, öljystä, terävistä reunoista tai liikkuvista osista.** Vaurioituneet tai sotkeutuneet johdot lisäävät sähköiskun vaaraa.

- e. Käyttäessäsi sähkötyökalua ulkona käytä ainoastaan ulkokäyttöön soveltuvaa jatkojohtoa. Ulkokäyttöön tarkoitettun sähköjohdon käyttäminen vähentää sähköiskun vaaraa.
- f. Jos sähkötyökalua on välttämättä käytettävä kosteassa paikassa, käytä vikavirtasuojalla (RCD) suojattua virtalähdettä. Tämä vähentää sähköiskun vaaraa.
3. Henkilöturvallisuus
- a. Ole valpas, keskity työhön ja noudata tervettä järkeä sähkötyökalun käytössä. Älä käytä tätä työkalua ollessasi väsynyt tai alkoholin, huumeiden tai lääkkeiden vaikutuksen alaisena. Keskittymisen herpaantuminen hetkeksikin sähkötyökalua käytettäessä voi aiheuttaa vakavan henkilövahingon.
- b. Käytä henkilökohtaisia suojavarusteita. Käytä aina suojalaseja. Hengityssuojaimen, liukumattomien turvajalkineiden, kypärän ja kuulonsuojaimen käyttäminen vähentää henkilövahinkojen vaaraa.
- c. Vältä tahatonta käynnistämistä. Varmista, että kytkin on OFF-asennossa, ennen kuin liität laitteen virtalähteeseen ja/tai akkuun, nostat laitteen tai kannat sitä. Sähkötyökalun kantaminen sormi virtakytkimellä lisää onnettomuusvaaraa.
- d. Irrota mahdollinen säätö- tai kiintoavain ennen kuin käynnistät sähkötyökalun. Sähkötyökalun pyöriivään osaan kiinni jäänyt avain voi johtaa loukkaantumiseen.
- e. Älä kurkota. Huolehdi siitä, että sinulla on koko ajan tukeva jalansija ja hyvä tasapaino. Näin voit hallita sähkötyökalua paremmin odottamattomissa tilanteissa.
- f. Käytä tarkoitukseen soveltuvia vaatteita. Älä käytä löysiä vaatteita tai koruja. Pidä hiukset, vaatteet ja kädet loitolla liikkuvista osista. Löysät vaatteet, korut tai pitkät hiukset voivat tarttua liikkuviin osiin.
- g. Jos työkalun voi liittää polynimuriiniin, tarkista, että liitos on tehty asianmukaisesti ja että laitteita käytetään oikealla tavalla. Pölyn ottaminen talteen voi vähentää pölyn aiheuttamia vaaroja.
- h. Vaikka käyttäisit usein työkaluja ja sinulla olisi niistä hyvä tuntemus, älä jätä lukematta työkalun turvallisuusohjeita. Huolimattomuus voi johtaa vakaviin henkilövahinkoihin jopa sekunnin murto-osassa.
4. Sähkötyökalujen käyttö ja hoito
- a. Älä ylikuormita sähkötyökalua. Valitse käyttötarkoituksen kannalta oikea sähkötyökalu. Sähkötyökalu toimii paremmin ja turvallisemmin, kun sitä käytetään sille suunniteltuun käyttötarkoitukseen.
- b. Älä käytä sähkötyökalua, jota ei voida käynnistää ja pysäyttää virtakytkimestä. Jos sähkötyökalua ei voi hallita kytkimen avulla, se on vaarallinen ja se on korjattava.
- c. Irrota pistotulppa pistorasiasta ja/tai akku laitteesta ennen kuin suoritat säätöjä, vaihdat tarvikkeita tai siirrä sähkötyökalun varastoitavaksi. Näin voit vähentää vahingossa käynnistymisen aiheuttaman henkilövahingon vaaraa.
- d. Säilytä sähkötyökalut poissa lasten ulottuvilta, kun niitä ei käytetä. Älä anna sähkötyökalua sellaisen henkilön käyttöön, joka ei tunne sitä tai joka ei ole tutustunut tähän käyttöohjeeseen. Sähkötyökalut ovat vaarallisia kouluttamattomien käyttäjien käsissä.
- e. Hoida sähkötyökalusi huolella. Tarkista, että liikkuvat osat toimivat moitteettomasti ja etteivät ne ole puristuksessa. Tarkista myös, ettei työkalussa ei ole murtuneita tai vahingoittuneita osia, jotka saattaisivat vaikuttaa haitallisesti sen toimintaan. Jos havaitset vaurioita, korjauta sähkötyökalu ennen niiden käyttämistä. Huonosti kunnossapidetyt sähkötyökalut aiheuttavat onnettomuuksia.
- f. Pidä leikkausterät terävinä ja puhtaina. Kunnossa pidettyjen leikkaavien teräviä reunoja sisältävien työkalut todennäköisyys jumiutua vähenee, ja niitä on helpompi hallita.
- g. Käytä sähkötyökaluja, tarvikkeita, vaihtoteriä yms. näiden ohjeiden mukaisesti. Ota tällöin huomioon työolosuhteet ja suoritettava toimenpide. Jos sähkötyökalua käytetään näiden ohjeiden vastaisesti, voi syntyä vaaratilanne.
- h. Pidä kahvat ja kädensijat kuivina ja puhtaina öljystä ja rasvasta. Liukkaat kahvat ja kädensijat estävät työkalun turvallisen käsittelyn ja hallinnan odottamattomissa tilanteissa.
5. Akkutyökalun käyttö ja huolto
- a. Lataa akku vain valmistajan määrittelemällä laturilla. Laturi, joka on sopiva yhden tyyppiselle akulle, voi aiheuttaa tulipalon vaaran, jos sitä käytetään toisen tyyppisellä akulla.
- b. Käytä sähkötyökalussa ainoastaan kyseiseen sähkötyökaluun tarkoitettua akkua. Muun tyyppisen akun käyttö saattaa johtaa loukkaantumiseen ja tulipaloon.
- c. Pidä irallinen akku loitolla metalliesineistä, kuten paperiliittimistä, kolikoista, avaimista, nauloista, ruuveista tai muista pienistä metalliesineistä, jotka voivat aiheuttaa oikosulun akun navoissa. Kennon pinteiden oikosulku voi aiheuttaa palovammoja tai tulipalon.
- d. Väärin käytetyistä akusta voi vuotaa nestettä. Älä kosketa sitä. Jos nesteen kanssa joutuu kosketuksiin, huuhtelee vedellä. Jos nestettä joutuu silmiin, hakeudu lisäksi lääkärin hoitoon. Akusta roiskunut neste saattaa aiheuttaa ärsytystä tai palovammoja.
- e. Akkua tai työkalua ei saa käyttää, jos siinä on vaurioita tai sitä on muunneltu. Vaurioituneet tai

muunnellut akut voivat johtaa odottamattomiin tilanteisiin ja vaarana ovat tulipalo, räjähdys ja henkilövahingot.

- f. **Suojaa akku ja työkalu tulelta ja liian korkeilta lämpötiloilta.** Se voi räjähtää yli 130 °C lämpötilassa.
- g. **Noudata kaikkia latausohjeita. Akkua tai työkalua ei saa ladata ohjeissa määritetystä lämpötilavälisestä poikkeavassa lämpötilassa.** Jos akku ladataan virheellisesti tai määritetystä lämpötilavälisestä poikkeavassa lämpötilassa, seurauksena voi olla akun vaurioituminen ja tulipalovaara.

6. Huolto

- a. **Korjauta sähkötyökalu koulutetulla ja ammattitaitoisella henkilöllä ja hyväksy korjauksiin vain alkuperäisiä varaosia.** Tämä varmistaa sähkötyökalun turvallisuuden.
- b. **Älä koskaan huolla vaurioituneita akkuja.** Ainoastaan valmistaja tai valtuutetut huoltoliikkeet saavat huoltaa.

Sähkötyökalujen lisäturvavaroitukset



Varoitus! Varsileikkurien lisäturvaohjeet

- ◆ **Ole huolellinen, ettei teräketju osu itseesi sahauskeskittämisen vaiheessa.** Varmista ennen sahan käynnistämistä, ettei teräketju kosketa mihinkään. Jos tarkkaavaisuutesi pääsee herpaantumaan sahauskeskittämisen aikana, esimerkiksi vaatteesi tai jäsenesi voivat takertua teräketjuun.
- ◆ **Pidä ketjusahaa oikealla kädellä sen takakavasta ja vasemalla sen etukavasta.** Vastakkainen ote sahasta lisää onnettomuusriskiä. Älä koskaan käytä vastakkaista otetta.
- ◆ **Pitele sähkötyökalua vain sen eristävästä tartuntapinnasta, sillä teräketju voi osua piilossa oleviin sähköjohtoihin.** Teräketjun kosketus jännitteisen johtimen kanssa voi tehdä työkalun paljasta metalliosista jännitteisiä ja aiheuttaa sähköiskun käyttäjälle.
- ◆ **Käytä aina kuulonsuojaimia ja suojalaseja.** Pään, käsien ja jalkojen suojavarusteet ovat suositeltavia. Kunnollinen suojavarustus vähentää lentävien puunsäilöjen ja teräketjun kosketusten aiheuttamia onnettomuuksia.
- ◆ **Älä käytä ketjusahaa puussa.** Loukkaantumisen riski on erittäin suuri, jos kipeät puuhun sahaamaan.
- ◆ **Käytä suojaavia jalkineita ja seiso sahatessasi tasaisella ja tukevalla alustalla.** Sahaaminen liukkaalla tai epävakaalla työskentelypaikalla, kuten tikapuilla, voi johtaa tasapainon tai sahan hallinnan menetykseen.
- ◆ **Ole varovainen katkaistessasi jännittyneen olevaa oksaa, sillä se saattaa ponnahtaa yllättävään suuntaan.** Kun puun jännitys laukeaa, ponnahtava oksa voi

osua käyttäjään ja/tai työkaluun ja aiheuttaa hallinnan menetyksen.

- ◆ **Ole hyvin varovainen sahatessasi pensaita tai vesakkoa.** Taipuisat oksat voivat tarttua teräketjuun ja iskeytyä sahaajaan tai horjuttaa hänen tasapainoaan.
- ◆ **Kanna ketjusahaa etukavasta virta katkaistuna ja teräsuunnattuna itsestäsi pois päin.** Aseta laipan suojuksen paikalleen sahan kuljetuksen ja varastoinnin ajaksi. Käsittele sahaa huolellisesti, ettei vahingossa kosketa pyörivää teräketjuja.
- ◆ **Noudata voitelua, ketjun kireyttä ja osien vaihtoa koskevia ohjeita.** Väärin kiristetty tai voitelematon ketju voi katketa tai lisätä takapotkun mahdollisuutta.
- ◆ **Pidä kädensijat kuivina ja puhtaina öljystä ja rasvasta.** Rasvaiset tai öljyiset kahvat ovat liukkaat, ja ote heltiää niistä helposti.
- ◆ **Käytä työkalua vain puumateriaalin katkaisuun.** Älä käytä sahaa muuhun kuin sille suunniteltuun tarkoitukseen. Esimerkiksi: älä sahaa muovia, tiiltä tai muuta materiaalia. Ketjusahan käyttö muuhun kuin sille tarkoitettuun tehtävään voi johtaa vaarallisiin tilanteisiin.

Takaikun syyt ja ehkäisytöimet

Takapotkun voi aiheuttaa laipan kärjen osuminen johonkin tai terän jääminen puristuksiin.

Laipan kärjen osuminen kiinteään kohteeseen voi potkaista pyörivän ketjun voimakkaasti päin sahaajaa. Teräketjun puristuminen laipan yläpintaan voi myös aiheuttaa nopean takapotkun. Molemmat edellä kuvatuista tilanteista voivat johtaa sahan hallinnan menetykseen ja loukkaantumiseen. Älä luota pelkästään ketjusahan turvalaitteisiin. Ketjusahan käyttäjän tulee itse huolehtia siitä, etteivät sahausolosuhteet aiheuta vaaratilanteita.

Takapotku on seuraus sahan vääristä käyttötaivoista tai -olosuhteista ja sen voi välttää noudattamalla alla kuvattuja varotoimia.

- ◆ **Tartu sahaan lujalla otteella kummastakin kahvasta. Kun kädet pitävät kiinni sahasta, asetu sellaiseen asentoon, että voit vastustaa takapotkua.** Sahaaja pystyy hyvin vastustamaan takapotkun voimaa noudattamalla esitettyjä varotoimia. Älä helleitä otettasi sahasta kesken työn.
- ◆ **Älä kurkota liikaa äläkä sahaa hartiatason yläpuolella.** Näin estät tahattomat kärkkösketukset ja pystyt paremmin hallitsemaan sahaa yllättävissä tilanteissa.
- ◆ **Käytä varaosina vain valmistajan suosittelemia laippoja ja ketjuja.** Sahaan sopimattomat laipat tai ketjut voivat johtaa ketjurikkoihin ja/tai takapotkuihin.
- ◆ **Noudata valmistajan antamia sahan teroitus- ja huolto-ohjeita.** Syyvyysohjaimen madaltaminen voi lisätä sahan alltiutta takapotkuihin.

- ◆ Terän osuminen puun lähellä olevaan metalliin, betoniin tai muuhun kovaan materiaaliin voi aiheuttaa takapotkun.
- ◆ Tylsä tai löysä ketju voi aiheuttaa takapotkun.
- ◆ Älä yritä asettaa aikaisempaan leikkaukseen, muutoin vaarana on takaisku. Tee joka kerta uusi sahausviilto.
- ◆ Ensikertalaisten sahan käyttäjien on erittäin suositeltavaa pyytää käytännön ohjeita ketjusahan käytöstä ja turvallaisista kokeneelta sahaajalta. Sahan käyttöä kannattaa opetella sahaamalla halkoja sahapukissa.
- ◆ Ketjusahan kuljetuksen aikana on suositeltavaa irrottaa akku ja pitää saha asennossa, jossa teräketju on taaksepäin.
- ◆ Pidä ketjusaha hyvässä kunnossa, kun se ei ole käytössä. Jos ketjusaha on pitkiä aikoja käyttämättä, irrota teräketju ja laippa ja säilytä ne öljyyn upotettuna. Säilytä ketjusahaa kuivassa, turvallisessa paikassa poissa lasten ulottuvilta.
- ◆ Öljysäiliö kannattaa tyhjentää ennen varastointia.
- ◆ Varmista, että seisot tukevalla alustalla. Katso etukäteen turvallinen poistumisreitti kaatuvan puun tieltä.
- ◆ Ohjaa puun kaatumissuuntaa kiiloilla. Kiilojen avulla voit myös estää ketjun ja laipan juuttumisen leikkausuraan.
- ◆ Ketjusahan huoltaminen. Pidä teräketju terävänä ja sopivan tiukalla. Huolehdi siitä, että ketjusaha ja laippa ovat puhtaata ja hyvin öljytyä. Kahvojen tulee olla kuivat, puhtaata ja rasvattomat.
- ◆ Varmista, että joku on lähellä (mutta turvallisen etäisyyden päässä) onnettomuuden varalta.
- ◆ Jos sinun on jostakin syystä kosketettava teräketjua, varmista, että ketjusahan akku on irrotettu.
- ◆ Ketjusahan melutaso voi ylittää 85 dB(A). Tämän vuoksi on suositeltavaa käyttää asianmukaisia kuulonsuojaimia.
- ◆ Terälevy voi kuumentua laitetta käsitellessä. Käsittele varoen.
- ◆ Pidä jatkojohdot poissa leikkaavien osien tieltä.

Muiden henkilöiden turvallisuus

- ◆ Tämä laite soveltuu yli 8-vuotiaiden lasten ja sellaisten henkilöiden käyttöön, joilla on fyysisiä tai älyllisiä rajoitteita tai aistirajoitteita, kuten myös laitteen toimintaan perehtymättömien henkilöiden käyttöön, jos he ovat saaneet laitteen turvalliseen käyttöön liittyvää opastusta ja mmärtävät laitteen käyttöön liittyvät vaarat.
- ◆ Älä anna lasten leikkiä laitteella. Puhdistus- ja huoltotöitä ei saa jättää lapsille ilman valvontaa.

Jäännösriskit

Myös muut kuin turvavaroituksissa mainitut riskit ovat mahdollisia työkalua käytettäessä. Nämä riskit voivat liittyä muun muassa virheelliseen tai pitkäaikaiseen käyttöön.

Tiettyjä jäännösriskejä ei voi välttää, vaikka noudat kaikkia turvamaääräyksiä ja käytät turvalaitteita. Näitä ovat:

- ◆ Pyörivien tai liikkuvien osien koskettamisen aiheuttamat vahingot.
- ◆ Osia, teriä tai lisävarusteita vaihdettaessa aiheutuneet vahingot.
- ◆ Työkalun pitkäaikaisen käytön aiheuttamat vahingot. Varmista, että pidät säännöllisesti taukoja työkalun pitkäaikaisen käytön aikana.
- ◆ Kuulon heikkeneminen.
- ◆ Työkalua käytettäessä (esimerkiksi puuta, erityisesti tammea, pyökkiä ja MDF-levyjä, käsiteltäessä) syntyneen pölyn sisäänhengityksen aiheuttamat terveysriskit.

Tärinä

Teknisissä tiedoissa ja vaatimustenmukaisuusvakuutuksessa ilmoitettu tärinäpäästöarvo on mitattu EN 60745 -standardin testausmenetelmän mukaisesti, ja arvoa voi käyttää työkalujen keskinäiseen vertailuun. Ilmoitettua tärinäpäästöarvoa voi käyttää myös altistumisen alustavaan arviointiin.

Varoitus! Sähkötyökalun käytön aikana mitattu todellinen tärinäpäästöarvo voi poiketa ilmoitetusta tärinäpäästöarvosta työkalun käyttötavan mukaan. Tärinätasoa voi olla ilmoitettu tasoa suurempi.

Kun tärinälle altistumista arvioidaan sen määrittämiseksi, mitä direktiivin 2002/44/EY mukaisia turvatoimenpiteitä vaaditaan sähkötyökaluja säännöllisesti käytävien henkilöiden suojelemiseksi, tärinälle altistumisen arvioinnissa on otettava huomioon todelliset käyttöolosuhteet ja työkalun käyttötavat. Todellisen käytön lisäksi on kiinnitettävä huomiota myös siihen, milloin työkalu on sammutettuna tai se käy tyhjäkäynnillä.

Karsiminen

Varmista etukäteen ennen puun karsimista, että puun kaataminen on luvallista.

- ◆ Huomioi suunta, johon oksa voi pudota. Mieti etukäteen kaikkia putoamissuuntaan vaikuttavia tilanteita, joita ovat esimerkiksi seuraavat:
 - ◆ katkaistavan oksan pituus ja paino
 - ◆ suunta, johon oksan pitäisi pudota
 - ◆ poikkeuksellisen raskaat oksat tai lahot kohdat
 - ◆ ympäröivät puut ja esteet
 - ◆ myös yli kulkevat jännitejohdot
 - ◆ oksan kiinnittyminen muihin oksiin.
 - ◆ tuulen nopeus ja suunta.
 - ◆ Selvitä, miten karsintakohtaan pääsee.

Katkaistavat oksat kallistuvat puun runkoa kohti. Putoavat oksat voivat osua karsijan lisäksi puun alla oleviin sivullisiin, rakennuksiin tai muihin esineisiin.

Työkalun tarrat

Työkaluun on merkitty päivämääräkoodi sekä seuraavat varoitusmerkinnot:



Varoitus! Käyttäjän on luettava käyttöohje vahinkojen välttämiseksi.



Älä käytä työkalua sateessa tai erittäin kosteissa olosuhteissa.



Varo putoavia esineitä. Pidä sivulliset loitolla.



Tappavan sähköiskun vaara. Pysy vähintään 10 metrin päässä yli kulkevista jännitejohdoista.



Käytä aina kypärää ja suojalaseja.



Käytä liukuesteturvajalkineita.



Varmista jatkuva turvallinen toiminta tarkistamalla ketjun kireys tässä käyttöohjeessa kuvatulla tavalla aina 10 käyttöminuutin jälkeen. Säädä ketjua takaisin 3 mm:n välykseen tarpeen vaatiessa. Lisää ketjun voiteluöljyä 10 minuutin välein.



Ketjun pyörimissuunta



Varoitus! Älä pidä kättä lastujen poistoaukon kohdalla.

Akku ja laturia koskevat lisäturvaohjeet

Akut

- ◆ Älä koskaan yritä avata mistään syystä.
- ◆ Älä anna akun kastua.
- ◆ Älä säilytä akkuja tiloissa, joissa lämpötila voi nousta yli 40 °C:een.
- ◆ Lataa akku paikassa, jonka lämpötila on vähintään 10 °C ja enintään +40 °C.
- ◆ Lataa akku ainoastaan työkalun mukana toimitetulla laturilla.
- ◆ Noudata akkuja hävittäessäsi kohdassa "Ympäristönsuojelu" annettuja ohjeita.
- ◆ Suojaa akkua vahingoittumiselta niin, ettei sen kotelo rikkoudu eikä siihen kohdistu iskuja, sillä muutoin voi syntyä henkilövahinkojen ja tulipalon vaara.
- ◆ Älä lataa viallisia akkuja.
- ◆ Vaativissa oloissa voi ilmetä paristovuotoja. Jos havaitset akkujen pinnalla nestettä, pyyhi se huolellisesti pois. Vältä ihokosketusta.

- ◆ Jos nestettä joutuu silmiin tai iholle, noudata jäljempänä olevia ohjeita.

Varoitus! Akkuneste voi aiheuttaa aineellisia vahinkoja tai henkilövahinkoja. Jos nestettä joutuu iholle, se on välittömästi huuhdeltava pois vedellä. Jos ihoa kirvelee tai se punottaa tai on muuten ärtynyt, kysy lisäohjeita lääkäriltä. Jos nestettä joutuu silmiin, huuhto välittömästi puhtaalla vedellä ja mene lääkäriin.

Laturit

Laturi on tarkoitettu tietylle jännitteelle. Tarkista aina, että verkkojännite vastaa arvokilvessä ilmoitettua jännitettä.

- ◆ Käytä BLACK+DECKER-laturia vain laitteen mukana toimitetun akun lataamiseen. Muut akut voivat räjähtää ja aiheuttaa henkilövahinkoja tai aineellisia vahinkoja.
- ◆ Älä koskaan yritä ladata akkuja, joita ei ole tarkoitettu ladattavaksi.
- ◆ Vaihda vialliset johdot välittömästi ehjiin.
- ◆ Suojaa laturi vedeltä.
- ◆ Älä avaa laturia.
- ◆ Älä työnnä mitään laturin sisään.
- ◆ Laturin on oltava lataamisen aikana paikassa, jossa on kunnollinen ilmanvaihto.

Laturin symbolit

Laturissa on seuraavat merkinnot:



Laturi on tarkoitettu ainoastaan sisäkäyttöön.



Lue käyttöohjeet huolellisesti ennen laitteen käyttöä.

Sähköturvallisuus



Laturi on kaksoiseristetty, joten erillistä maadoitusta ei tarvita. Tarkista aina, että verkkojännite vastaa arvokilvessä ilmoitettua jännitettä. Älä yritä vaihtaa laturiin tavallista verkkovirran pistoketta.

- ◆ Jos virtajohto vahingoittuu, sen vaihtaminen on turvallisuusyysistä jätettävä valmistajan tai valtuutetun BLACK+DECKER-huollon tehtäväksi.

Yleiskuvasu

Tässä laitteessa on kaikki tai joitakin seuraavista ominaisuuksista.

1. Virtakytkin
2. Lukituspainike
3. Pääkädensija
4. Sahan pää
5. Hammaspyörän suojus
6. Laippa

7. Ketju
8. Teräsuojus
9. Öljypullo
10. Jatkoputki
11. Akku

Kuva A

12. Laturi

Asennus

Varoitus! Poista akku laitteesta aina ennen kokoamista.

Akun kiinnittäminen ja irrottaminen (kuva B)

- ◆ Kiinnitä akku (11) asettamalla se työkalussa olevan kiinnityssyvennyksen kanssa samaan linjaan. Liu'uta akkua kiinnityssyvennykseen, kunnes se lukittuu paikalleen.
- ◆ Irrota akku painamalla vapautuspainiketta (13) samalla, kun vedät akun irti syvennyksestä.

Varoitus! Jotta sahaa ei käynnistetä vahingossa, irrota akku ja varmista, että teräsuojus on paikallaan teräketjun päällä, ennen kuin suoritat seuraavat toimenpiteet. Jos näin ei menetellä, seurauksena saattaa olla vakava tapaturma.

Sahan pään asentaminen (kuva C)

Sahan pää voidaan kiinnittää suoraan kädensijaan tavanomaisen toiminta-alueen aikaansaamiseksi.

- ◆ Aseta kädensijan (3) kytkentäpäähän ulkopuolella oleva ura sahan pään (4) kytkentäpäähän sisäpuolella olevaan kielekkeeseen. Työnnä sahan pää (4) kädensijaan (3).
- ◆ Liu'uta kartio (14) alas ja kierrä sitä myötäpäivään, kunnes se on täysin kireällä.

Varoitus! Tarkista liitännät säännöllisesti varmistaaksesi, että ne ovat tiukasti kiinni.

Sahan pään pidentäminen (kuva D)

Mahdollisimman suuri toiminta-alue saadaan aikaan asentamalla jatkoputki (10) sahan pään (4) ja kädensijan (3) välille.

- ◆ Aseta kädensijan (3) kytkentäpäähän ulkopuolella oleva ura jatkoputken (10) kytkentäpäähän sisäpuolella olevaan kielekkeeseen.
- ◆ Työnnä jatkoputki (10) kädensijaan (3).
- ◆ Liu'uta kartio (15) alas ja kierrä sitä myötäpäivään, kunnes se on täysin kireällä.
- ◆ Aseta jatkoputken (10) kytkentäpäähän ulkopuolella oleva ura sahan pään (4) kytkentäpäähän sisäpuolella olevaan kielekkeeseen.
- ◆ Työnnä sahan pää (4) jatkoputkeen (10).
- ◆ Liu'uta kartio (14) alas ja kierrä sitä myötäpäivään, kunnes se on täysin kireällä.

Varoitus! Tarkista liitännät säännöllisesti varmistaaksesi, että ne ovat tiukasti kiinni.

Sahan pään irrottaminen (kuva C & D)

Jos jatkoputki (10) asennetaan, sahan pää on irrotettava ensin.

- ◆ Irrota sahan pää (4) asettamalla kädensija (3) maahan, löysäämällä kartio (14) ja irrottamalla sahan pää.

Käyttö

Varoitus! Anna työkalun käydä omaan tahtiinsa. Älä ylikuormita sitä.

Akun lataaminen - kuva A

Lataa akku ennen ensimmäistä käyttökertaa ja aina silloin, kun se ei enää tuota riittävästi virtaa toimintoihin, jotka aikaisemmin hoituivat helposti. Akku voi lämmetä ladattaessa. Tämä on normaalia, eikä se ole merkki mistään viasta.

Varoitus! Älä lataa akkua, jos ympäristön lämpötila on alle +10 °C tai yli +40 °C. Suositeltava latauslämpötila: noin +24 °C.

Huomautus: Laturi ei lataa akkua, jos akun kennon lämpötila on alle 10 °C tai yli 40 °C.

Akku tulee kuitenkin jättää laturiin. Laturi aloittaa lataamisen automaattisesti, kun kennon lämpötila nousee tai laskee riittävästi.

- ◆ Lataa akku (11) poistamalla se työkalusta ja asettamalla se laturiin (12). Akku sopii laturiin vain yhdessä asennossa. Älä pakota. Varmista, että akku on kunnolla laturissa.
- ◆ Kytke laturi pistorasiaan.
- ◆ Latauksen merkkivalo (24) vilkkuu tasaisesti vihreänä (hitaasti).

Akku on ladattu, kun latauksen merkkivalo (24) palaa keskeytyksettä vihreänä. Akku voidaan jättää laturiin, kun LED-merkkivalo palaa. Merkkivalo voi alkaa vilkkua uudelleen vihreänä ns. täydennyslatauksen ajaksi. Latauksen merkkivalo (24) palaa niin kauan kuin akku on pistorasiaan liitettyssä laturissa.

- ◆ Lataa akut viikon kuluessa tyhjentymisestä. Akkujen käyttöikä lyhenee merkittävästi, jos ne jätetään tyhjiksi pitkäksi aikaa.

Akun jättäminen laturiin

Akku voidaan jättää laturiin, kun LED-merkkivalo palaa. Laturi ylläpitää akkua ja sen virtatasoa.

Laturin vianmääritys

Jos laturi havaitsee lähes tyhjän tai viallisen akun, latauksen merkkivalo (24) vilkkuu nopeasti punaisena. Toimi seuraavasti:

- ◆ Aseta akku (11) uudelleen laturiin.
- ◆ Jos merkkivalo vilkkuu edelleen nopeasti punaisena, vaihda akku niin, että voit tarkistaa virheettömän latautumisen.

- ◆ Jos toinen akku latautuu normaalisti, alkuperäinen akku on viallinen ja se on toimitettava huoltopisteeseen kierätettäväksi.
- ◆ Jos toinen akku antaa saman virheilmoituksen kuin alkuperäinen, vie laturi huoltopisteeseen testattavaksi.

Huomautus: Akun kunnon määrittäminen voi kestää 60 minuuttia. Jos akku on liian kuuma tai kylmä, LED-merkkivalo vilkkuu punaisena vuoroin nopeasti ja hitaasti.

Käynnistys ja pysäytys (kuva E)

Käyttöturvallisuuden lisäämiseksi tämä työkalu on varustettu käynnistysvarmistimella. Järjestelmä estää työkalun tahattoman käynnistämisen.

- ◆ Paina lukituspainiketta (2) taaksepäin peukalollasi ja paina samanaikaisesti virrankatkaisijaa (1).
- ◆ Vapauta lukituspainike (2).

Sammuttaminen

- ◆ Päästä irti virrankatkaisijasta (1).

Varoitus! Älä koskaan yritä lukita kytkimiä käyttöasentoon.

Karsiminen (kuva F)

- ◆ Ennen varsinaista katkaisuvaihetta anna työkalun toimia täydellä nopeudella.
- ◆ Pidä työkalusta kiinni tukevasti molemmin käsin, jotta se ei pääse ponnahtelemaan tai liikkumaan sivusuunnassa. Ohjaa työkalu oksan läpi kevyesti painaen. Kun sahaat isoja oksia, jolloin osittainen sahaus voi saada aikaan sälejä tai vahingoittaa puuta, toimi seuraavasti:
 - ◆ Sahaa ensin 15 cm puun rungosta karsintakohdan alapuolella. Käytä tähän sahauskeinoon laipan (6) yläpintaa.
 - ◆ Sahaa 1/3 karsintakohdan läpimitasta. Sahaa sitten sen yläpuolelta.

Puhdistus, hoito ja säilytys

Verkkojohdolla varustettu tai verkkojohdoton BLACK+DECKERin laite/työkalu on suunniteltu toimimaan mahdollisimman kauan mahdollisimman vähällä huollolla. Oikealla huollolla ja säännöllisellä puhdistuksella kone säilyttää suorituskykynsä.

Varoitus! Ennen verkkojohdolla varustetun tai verkkojohdoton sähkötyökalun huoltoa toimi seuraavasti.

- ◆ Sammuta laite/työkalu ja irrota se verkkovirrasta.
- ◆ Jos laitteessa/työkalussa on erillinen akku, sammuta laite/työkalu ja irrota sen akku.
- ◆ Jos akku on kiinteä, käytä akku täysin loppuun ja sammuta laite/työkalu sitten.
- ◆ Irrota laturi pistorasiasta ennen laturin puhdistamista. Laturi ei tarvitse säännöllisen puhdistamisen lisäksi mitään muuta huoltoa.

Puhdista laitteen/työkalun/laturin ilma-aukot säännöllisesti pehmeällä harjalla tai kuivalla rievulla.

Puhdista moottorikelokone säännöllisesti kostealla rievulla. Älä koskaan käytä puhdistamiseen liuotainaineita tai syövyttäviä puhdistusaineita.

Avaa istukka säännöllisesti ja naputtele pöly pois sen sisältä (soveltuvin osin).

Käytön jälkeen ja ennen varastointia

- ◆ Puhdista ilma-aukot puhtaalla, kuivalla maalisivelmillä.
- ◆ Käytä työkalun puhdistukseen vain mietoja saippualluosta ja kosteaa riepua. Älä koskaan päästä nestettä valumaan työkalun sisään äläkä upota mitään työkalun osaa nesteeseen.
- ◆ Poista roskat kovalla harjalla.
- ◆ Voitele ketju öljyllä.

Teräketjun asentaminen ja irrottaminen (kuva G & H)

Varoitus! Pidä aina suojakäsineitä asentaessasi tai irrottaessasi teräketjua. Teräketju on terävä ja voi aiheuttaa haavan myös liikkumattomana ollessaan.

- ◆ Aseta työkalu tukevalle ja vakaalle pinnalle.
 - ◆ Löysää ruuvit (16) työkalun mukana toimitetulla kuusiokoloavaimella. Irrota ruuvit.
 - ◆ Irrota hammaspyörän suojuksen (5) ketjun kiinnitysliite (17).
 - ◆ Kierrä ruuvia (18) vastapäivään niin, että laippa (6) vetäytyy ja vähentää teräketjun (7) kireyttä.
 - ◆ Irrota vanha teräketju hammaspyörästä (19) ja laipasta (6).
 - ◆ Aseta uusi teräketju laipan uraan ja hammaspyörän ympärille. Varmista, että hampaat ovat oikeassa suunnassa tarkistamalla, että teräketjun nuolet osoittavat samaan suuntaan kuin kuoreissa olevat nuolet.
 - ◆ Varmista, että laipassa oleva kolo (20) on kohdistustappien (21) yläpuolella ja että kolon alapuolella oleva reikä (22) on säätönupin (23) kohdalla.
 - ◆ Asenna uudelleen hammaspyörän suojuksen (5), ketjun kiinnitysliite (17) ja ruuvit (16).
 - ◆ Kiristä ruuvit (16) työkalun mukana toimitetulla kuusiokoloavaimella.
 - ◆ Säädä ketjun kireys jäljempänä kuvatulla tavalla.
- Jatkuva turvallinen toiminta edellyttää, että teräketju ja laippa vaihdetaan vain alkuperäisiin BLACK+DECKERin varaosiin. Varaosana saatavan ketjun tuotenumero on A6158 ja laipan 623381-00.

Ketjun kireyden tarkastus ja säätö (kuva G)

- ◆ Tarkista teräketjun kireys. Kireys on oikea, kun teräketju (7) voi keskisormella ja peukalolla kevyesti nostaa teräketjun levystä irti 3 mm ja vapauttamisen jälkeen ketju napsahtaa takaisin vasten levyä. Teräketju (7) ei saa roikkua laipan (6) alapuolella.

Kireyden säätö:

- ◆ Löysää ruuvit (16).
- ◆ Kierrä ruuvia (18) myötöpäivään.

Varoitus! Älä kiristä ketjua liian tiukalle, koska tällöin laippa ja ketju kuluvat loppuun ennenaikaisesti.

- ◆ Kun ketjun kireys on oikea, kiristä ruuvit (18).

Varoitus! Kun teräketju on uusi, tarkista kireys usein kahden ensimmäisen käyttötunnin aikana, sillä uusi teräketju venyy jonkin verran.

Ketjun voitelu

Teräketju on voideltava ennen jokaista käyttökertaa ja puhdistuksen jälkeen käyttämällä oikeaa öljyä (tuotenro A6027).

- ◆ Voitele koko teräketju (7) tasaisesti käyttämällä voitelulaitetta (9).

Ketjun kireyden säätäminen (kuvat B4, B5)

- ◆ Tarkista sahaketjun (14) kireys sahan ollessa tasaisella ja tukevalla alustalla. Kireys on oikea, kun ketjua voi etusormella ja peukalolla kevyesti nostaa laipasta (13) irti 3 mm ja vapauttamisen jälkeen ketju napsahtaa takaisin kuvan B4 mukaisesti. Ketju ei saa riippua laipan alapuolella kuvan B5 mukaisesti.
- ◆ Sahaketjun kireys voidaan säätää löysäämällä laipan säädön lukitusnuppia (31a) yhden täyden kierroksen verran ja noudattamalla ohjeita "Laipan ja sahaketjun asentaminen".
- ◆ Älä kiristä ketjua liian tiukalle, koska tällöin laippa ja ketju kuluvat loppuun ennenaikaisesti.
- ◆ Kun oikea kireys on säädetty, kiristä laipan säädön lukitusnuppi hyvin.
- ◆ Tarkista uuden ketjun kireys useaan kertaan (irrota ensin akku) 2 ensimmäisen käyttötunnin aikana, koska uusi ketju venyy hieman.

Säilytys

Kun työkalua ei ole tarkoitus käyttää pitkään aikaan, jätä akku kytketyksi laturiin.

Muutoin toimi seuraavasti:

- ◆ Lataa akku täyteen.
- ◆ Poista akku työkalusta.
- ◆ Säilytä työkalua ja akkua turvallisessa ja kuivassa paikassa.
- ◆ Säilytyspaikan lämpötilan täytyy aina olla vähintään +10 °C ja enintään +40 °C. Aseta akku tasaiselle alustalle.
- ◆ Lataa akku täyteen, ennen kuin käytät työkalua pitkäaikaisen säilytyksen jälkeen.

Ympäristönsuojelu

Toimita tämä laite erilliskeräykseen. Tällä symbolilla merkityjä tuotteita ja akkuja ei saa hävittää tavallisen kotitalousjätteen mukana.

Tuotteissa ja akuissa on materiaaleja, jotka voidaan ottaa talteen tai kierrättää uudelleen käyttöä varten.

Kierrätä sähkölaitteet ja akut paikallisten määräyksien mukaan.

Lisätietoa on saatavilla osoitteessa www.2helpU.com

Tekniset tiedot

PS1820ST1, PS1820L1 H2		
Jännite	V _{DC}	18
Ketjun nopeus (kuormittamattomana)	m/s	190
Suurin sahauspituus	cm	17
Paino	kg	3,5
Akku BL2518		
Jännite	V _{DC}	18
Kapasiteetti	Ah	2,5
Tyyppi		Li-ion
Laturi 906068**		
Tulojännite	V _{AC}	230
Lähtöjännite	Ah	18
Latausvirta	mA	2000

Äänenpainetaso mitattu EN 60745:n mukaisesti:

äänenpaine (L_{WA}) 78 dB(A), epävarmuus (K) 3 dB(A)
ääniteho (L_{WA}) 98 dB(A), epävarmuus (K) 3 dB(A)

Tärinän kokonaisarvot (vektorisumma) standardin EN 60745 mukaisesti:

mukaan Juuri kaadetun pehmeän puun katkai- seminen (a_{hw}) <2,5 m/s²,
epävarmuus (K) 1,5 m/s²

EY-vaatimustenmukaisuusvakuutus

KONEDIREKTIIVI
ULKOILMAMELUDIREKTIIVI



PS1820ST1, PS1820L1 – varsileikkuri

Black & Decker ilmoittaa, että Tekniset tiedot -kohdassa kuvattut tuotteet täyttävät seuraavien direktiivien vaatimukset:

EN 60745-1:2009 +A11:2010, EN ISO 11680-1:2011

Nämä tuotteet täyttävät myös direktiivien
2006/42/EY, 2014/30/EU ja 2011/65/EU vaatimukset.

Lisätietoja saa ottamalla yhteyden Black & Deckeriin seuraavassa osoitteessa. Tiedot ovat myös käyttöohjeen takakannessa.

Allekirjoittanut vastaa teknisten tietojen kokoamisesta tehden tämän ilmoituksen Black & Deckerin puolesta.



A. Smith

Teknisen osaston johtaja Black & Decker Europe,
210 Bath Road, Slough,
Berkshire, SL1 3YD
United Kingdom
15.01.2019

Takuu

Black & Decker on vakuuttanut tuotteidensa korkeasta laadusta ja tarjoaa kuluttajille 24 kuukauden takuun, joka astuu voimaan ostopäivänä. Takuu on lisäksi kuluttajan laillisiin oikeuksiin eikä vaikuta niihin.

Tämä takuu on voimassa kaikissa EU- ja ETA-maissa. Edellytyksenä takuun saamiselle on, että vaade täyttää Black & Deckerin ehdot ja että ostaja toimittaa ostotositteen jälleenmyyjälle tai valtuutetulle huoltoliikkeelle. Black & Deckerin kahden vuoden takuun ehdot ja lähimmän valtuutetun korjauspalvelun yhteystiedot ovat saatavilla osoitteessa www.2helpU.com tai ottamalla yhteyttä paikalliseen Black & Deckerin toimipisteeseen tässä ohjekirjassa ilmoitettuuhin osoitteisiin.

Käy verkkosivullamme osoitteessa www.blackanddecker.co.uk ja rekisteröi uusi Black & Decker -tuotteesi saadaksesi tietoa uusista tuotteista ja erikoistarjouksista.

Προβλεπόμενη χρήση

Το κλαδευτήρι μπαταρίας με μακριά λαβή PS1820ST1, PS1820L1 της BLACK+DECKER™ έχει σχεδιαστεί για κλάδεμα δέντρων. Το εργαλείο αυτό προορίζεται μόνο για καταναλωτική χρήση.

Ο φορτιστής BLACK+DECKER έχει σχεδιαστεί για τη φόρτιση των μπαταριών της BLACK+DECKER αυτού του τύπου που παρέχονται με αυτό το εργαλείο.

Οδηγίες ασφαλείας

Γενικές προειδοποιήσεις ασφαλείας για ηλεκτρικά εργαλεία



Προειδοποίηση! Διαβάστε όλες τις προειδοποιήσεις ασφαλείας και όλες τις οδηγίες. Η μη τήρηση των παρακάτω προειδοποιήσεων και οδηγιών μπορεί να προκαλέσει ηλεκτροπληξία, πυρκαγιά και/ή σοβαρές σωματικές βλάβες.

Φυλάξτε όλες τις προειδοποιήσεις και τις οδηγίες για μελλοντική αναφορά. Ο όρος "ηλεκτρικό εργαλείο" που χρησιμοποιείται σε όλες τις παρακάτω προειδοποιήσεις, αναφέρεται είτε σε εργαλείο που λειτουργεί με ρεύμα δικτύου (ρεύματος - με καλώδιο) είτε σε εργαλείο που λειτουργεί με μπαταρία (μπαταρίας - χωρίς καλώδιο).

1. Ασφάλεια χώρου εργασίας

- α. Διατηρείτε το χώρο εργασίας καθαρό και καλά φωτισμένο.** Οι απακτοποίητοι ή σκοτεινοί χώροι γίνονται αιτίες ατυχημάτων.
- β. Μη χρησιμοποιείτε ηλεκτρικά εργαλεία σε περιβάλλον όπου υπάρχει κίνδυνος έκρηξης, όπως με παρουσία εύφλεκτων υγρών, αερίων ή σκόνης.** Τα ηλεκτρικά εργαλεία παράγουν σπινθήρες που μπορεί να προκαλέσουν ανάφλεξη της σκόνης ή των αναθυμιάσεων.
- γ. Όταν χρησιμοποιείτε ηλεκτρικό εργαλείο, κρατάτε μακριά τα παιδιά και άλλα άτομα.** Παράγοντες που αποσπούν την προσοχή μπορεί να σας κάνουν να χάσετε τον έλεγχο.

2. Ασφαλής χρήση ηλεκτρικού ρεύματος

- α. Τα φως των ηλεκτρικών εργαλείων πρέπει να ταιριάζουν στην πρίζα. Σε καμία περίπτωση μην τροποποιήσετε το φως, με κανένα τρόπο. Μη χρησιμοποιείτε φως προσαρμογής με γειωμένα ηλεκτρικά εργαλεία.**
Τα φως που δεν έχουν υποστεί τροποποιήσεις και οι κατάλληλες πρίζες μειώνουν τον κίνδυνο ηλεκτροπληξίας.
- β. Αποφεύγετε την επαφή του σώματός σας με γειωμένες επιφάνειες, όπως σωλήνες, καλοριφέρ, κουζίνες και ψυγεία.** Υπάρχει αυξημένος κίνδυνος ηλεκτροπληξίας αν το σώμα σας είναι γειωμένο.

- γ. Μην εκθέτετε τα ηλεκτρικά εργαλεία σε βροχή ή υγρασία. Η διείσδυση νερού σε ένα ηλεκτρικό εργαλείο αυξάνει τον κίνδυνο ηλεκτροπληξίας.
- δ. Μην κακομεταχειρίζεστε το καλώδιο. Ποτέ μη χρησιμοποιείτε το καλώδιο για να μεταφέρετε το ηλεκτρικό εργαλείο, να το τραβήξετε ή να το αποσυνδέσετε από την πρίζα. Κρατάτε το καλώδιο μακριά από θερμότητα, λάδια, αιχμηρά άκρα ή κινούμενα μέρη. Τα καλώδια που έχουν υποστεί ζημιά ή είναι μπερδεμένα αυξάνουν τον κίνδυνο ηλεκτροπληξίας.
- ε. Όταν χρησιμοποιείτε ηλεκτρικό εργαλείο σε εξωτερικούς χώρους, να χρησιμοποιείτε πάντοτε καλώδιο επέκτασης κατάλληλο για εργασία σε εξωτερικούς χώρους. Η χρήση καλωδίου κατάλληλου για εργασία σε εξωτερικούς χώρους μειώνει τον κίνδυνο ηλεκτροπληξίας.
- στ. Εάν είναι αναπόφευκτη η χρήση ενός ηλεκτρικού εργαλείου σε συνθήκες υγρασίας, χρησιμοποιήστε μια διάταξη προστασίας από ρεύμα διαρροής (RCD). Η χρήση μιας διάταξης RCD μειώνει τον κίνδυνο ηλεκτροπληξίας.
3. Προσωπική ασφάλεια
- α. Όταν χρησιμοποιείτε ηλεκτρικό εργαλείο, να είστε σε εγρήγορση, να συγκεντρώνεστε στην εργασία που κάνετε και να επιστρατεύετε την κοινή λογική. Μη χρησιμοποιείτε ηλεκτρικό εργαλείο όταν είστε κουρασμένος/η ή υπό την επήρεια ναρκωτικών, οινοπνεύματος ή φαρμακευτικής αγωγής. Μια στιγμή απροσεξίας κατά τη χρήση ηλεκτρικών εργαλείων μπορεί να προκαλέσει σοβαρό τραυματισμό.
- β. Να χρησιμοποιείτε ατομικό εξοπλισμό προστασίας. Πάντα φοράτε προστασία ματιών.
Ο εξοπλισμός προστασίας, όπως μάσκα κατά της σκόνης, αντιολισθητικά παπούτσια ασφαλείας, κράνος ή προστασία ακοής, όταν χρησιμοποιείται για τις κατάλληλες συνθήκες, θα μειώσει τους τραυματισμούς και τις σωματικές βλάβες.
- γ. Αποτρέπετε την ακούσια ενεργοποίηση. Βεβαιωθείτε ότι ο διακόπτης βρίσκεται στη θέση απενεργοποίησης, πριν συνδέσετε το εργαλείο στην πηγή ρεύματος και/ή τοποθετήσετε το πακέτο μπαταρίας, καθώς και πριν πάρετε στα χέρια σας ή μεταφέρετε το εργαλείο. Η μεταφορά ηλεκτρικών εργαλείων με το δάχτυλο πάνω στο διακόπτη ή η σύνδεση στο ρεύμα ηλεκτρικών εργαλείων με το διακόπτη στη θέση ενεργοποίησης, ενέχει κινδύνους ατυχημάτων.
- δ. Πριν θέσετε το ηλεκτρικό εργαλείο σε λειτουργία, αφαιρέστε τυχόν εργαλεία ή κλειδιά ρύθμισης. Εάν αφήσετε ένα εργαλείο ή κλειδί πάνω σε κάποιο περιστρεφόμενο εξάρτημα του ηλεκτρικού εργαλείου, μπορεί να προκληθούν τραυματισμοί.
- ε. Μην τεντώνεστε υπερβολικά. Διατηρείτε πάντα σταθερή στήριξη στα πόδια σας και καλή ισορροπία. Έτσι μπορείτε να έχετε καλύτερο έλεγχο του ηλεκτρικού εργαλείου σε μη αναμενόμενες καταστάσεις.
- στ. Φοράτε κατάλληλη ενδυμασία εργασίας. Μη φοράτε φορδιά ρούχα ούτε κοσμήματα. Κρατάτε τα μαλλιά, τα ρούχα και τα γάντια σας μακριά από κινούμενα μέρη. Τα χαλαρά ρούχα, τα κοσμήματα και τα μακριά μαλλιά μπορούν να πιαστούν σε κινούμενα μέρη.
- ζ. Αν παρέχονται διατάξεις για τη σύνδεση συστημάτων απομάκρυνσης και συλλογής της σκόνης, βεβαιωθείτε ότι αυτές είναι συνδεδεμένες και χρησιμοποιούνται σωστά. Η χρήση διατάξεων συλλογής της σκόνης μπορεί να μειώσει τους κινδύνους που προέρχονται από τη σκόνη.
- η. Μην αφήνετε την εξοικείωση που έχετε αποκτήσει από τη συχνή χρήση εργαλείων να σας επιτρέψει να εφησυχάσετε ώστε να αγνοείτε τις αρχές ασφαλούς χρήσης των εργαλείων. Μια απρόσεκτη ενέργεια μπορεί να προκαλέσει βαρύ τραυματισμό μέσα σε κλάσματα του δευτερολέπτου.
4. Χρήση και φροντίδα ηλεκτρικών εργαλείων
- α. Μην υπερφορτώνετε το ηλεκτρικό εργαλείο. Χρησιμοποιείτε το σωστό ηλεκτρικό εργαλείο για την εφαρμογή σας. Το σωστό ηλεκτρικό εργαλείο θα εκτελέσει την εργασία καλύτερα και ασφαλέστερα, με την ένταση χρήσης για την οποία σχεδιάστηκε.
- β. Μη χρησιμοποιήσετε το ηλεκτρικό εργαλείο αν ο διακόπτης του δεν μπορεί να το ενεργοποιεί και απενεργοποιεί. Ένα ηλεκτρικό εργαλείο του οποίου η λειτουργία δεν μπορεί να ελεγχθεί με το διακόπτη είναι επικίνδυνο και πρέπει να επισκευαστεί.
- γ. Αποσυνδέστε το φως από την πηγή ρεύματος και/ή το πακέτο μπαταρίας από το ηλεκτρικό εργαλείο, πριν διεξαγάγετε οποιαδήποτε ρύθμιση, αλλαγή αξεσουάρ ή όταν πρόκειται να αποθηκεύσετε το ηλεκτρικό εργαλείο. Τέτοια προληπτικά μέτρα ασφαλείας μειώνουν τον κίνδυνο αβέλτητης εκκίνησης του ηλεκτρικού εργαλείου.
- δ. Να φυλάσσετε μακριά από παιδιά τα ηλεκτρικά εργαλεία που δεν χρησιμοποιείτε. Μην αφήνετε να χρησιμοποιήσουν ηλεκτρικό εργαλείο άτομα που δεν είναι εξοικειωμένα με αυτό ή άτομα που δεν έχουν διαβάσει αυτές τις οδηγίες χρήσης. Τα ηλεκτρικά εργαλεία είναι επικίνδυνα στα χέρια μη εκπαιδευμένων χρηστών.
- ε. Να συντηρείτε τα ηλεκτρικά εργαλεία. Ελέγχετε για προβλήματα ευθυγράμμισης ή για μάγκωμα των κινούμενων εξαρτημάτων, θραύση εξαρτημάτων, καθώς και για οποιοδήποτε άλλο πρόβλημα μπορεί να επηρεάσει τη λειτουργία των ηλεκτρικών εργαλείων. Αν το ηλεκτρικό εργαλείο έχει υποστεί ζημιά, φροντίστε να επισκευαστεί πριν το

χρησιμοποιήσετε. Η ανεπαρκής συντήρηση των ηλεκτρικών εργαλείων αποτελεί αιτία πολλών ατυχημάτων.

στ. Διατηρείτε τα κοπτικά εργαλεία κοφτερά και καθαρά.

Τα κοπτικά εργαλεία με κοφτερές κοπτικές αιχμές που συντηρούνται σωστά έχουν λιγότερες πιθανότητες να μαγκώσουν και ελέγχονται ευκολότερα.

- ζ. Να χρησιμοποιείτε το ηλεκτρικό εργαλείο, τα αξεσουάρ και τις μύτες του εργαλείου κλπ. σύμφωνα με τις παρούσες οδηγίες, λαμβάνοντας υπόψη σας τις συνθήκες εργασίας και την εργασία που θέλετε να εκτελέσετε.** Η χρήση του ηλεκτρικού εργαλείου για εργασίες διαφορετικές από τις προβλεπόμενες θα μπορούσε να οδηγήσει σε επικίνδυνη κατάσταση.
- η. Διατηρείτε τις λαβές και τις επιφάνειες κρατήματος στεγνές, καθαρές και απαλλαγμένες από λάδι και γράσο.** Οι ολισθηρές λαβές και επιφάνειες κρατήματος δεν επιτρέπουν τον ασφαλή χειρισμό και έλεγχο του εργαλείου σε μη αναμενόμενες καταστάσεις.

5. Χρήση και φροντίδα εργαλείων μπαταρίας

- α. Να επαναφορτίζετε μόνο με το φορτιστή που καθορίζει ο κατασκευαστής.** Ένας φορτιστής που είναι κατάλληλος για ένα τύπο πακέτου μπαταρίας μπορεί να δημιουργήσει κίνδυνο πυρκαγιάς όταν χρησιμοποιείται με άλλο πακέτο μπαταρίας.
- β. Χρησιμοποιείτε τα ηλεκτρικά εργαλεία αποκλειστικά και μόνο με τα καθοριζόμενα πακέτα μπαταριών.** Η χρήση άλλων πακέτων μπαταριών μπορεί να προκαλέσει κίνδυνο τραυματισμού και πυρκαγιάς.
- γ. Όταν το πακέτο μπαταρίας δεν χρησιμοποιείται, κρατάτε το μακριά από άλλα μεταλλικά αντικείμενα, όπως συνδετήρες, κέρματα, κλειδιά, καρφιά, βίδες ή άλλα μικρά μεταλλικά αντικείμενα που μπορούν να βραχυκυκλώσουν τους δύο ακροδέκτες του.** Αν βραχυκυκλωθούν οι ακροδέκτες της μπαταρίας, μπορεί να προκληθούν εγκαύματα ή πυρκαγιά.
- δ. Αν οι μπαταρίες υποστούν κακομεταχείριση, μπορεί να διαρρέυσει υγρό. Αποφύγετε την επαφή. Αν κατά λάθος έρθετε σε επαφή, ξεπλύνετε με νερό. Σε περίπτωση που το υγρό έλθει σε επαφή με τα μάτια σας, ζητήστε επιπλέον και ιατρική βοήθεια.** Το υγρό που εξέρχεται από την μπαταρία μπορεί να προκαλέσει ερεθισμούς ή εγκαύματα.
- ε. Μη χρησιμοποιήσετε πακέτο μπαταρίας ή εργαλείο που έχει υποστεί ζημιά ή τροποποίηση.** Οι μπαταρίες που έχουν υποστεί ζημιά ή τροποποίηση μπορεί να έχουν απρόβλεπτη συμπεριφορά, με αποτέλεσμα φωτιά, έκρηξη ή κίνδυνο τραυματισμού.
- στ. Μην εκθέσετε ένα πακέτο μπαταρίας ή εργαλείο σε φωτιά ή υπερβολική θερμοκρασία.** Η έκθεση σε φωτιά ή σε θερμοκρασία πάνω από 130 °C μπορεί να προκαλέσει έκρηξη.

- ζ. Τηρείτε όλες τις οδηγίες φόρτισης και μη φορτίζετε το πακέτο μπαταρίας ή το εργαλείο εκτός των ορίων θερμοκρασίας που ορίζονται στις προδιαγραφές.** Η ακατάλληλη φόρτιση ή η φόρτιση σε θερμοκρασίες εκτός των προβλεπόμενων ορίων μπορεί να προξενήσει ζημιά στην μπαταρία και να αυξήσει τον κίνδυνο φωτιάς.

6. Σέρβις

- α. Αναθέτετε το σέρβις του ηλεκτρικού σας εργαλείου σε εξειδικευμένο τεχνικό επισκευών που χρησιμοποιεί μόνο γνήσια ανταλλακτικά.** Έτσι θα εξασφαλίσετε τη διατήρηση της ασφάλειας του ηλεκτρικού εργαλείου.
- β. Ποτέ μην κάνετε σέρβις σε πακέτα μπαταριών που έχουν υποστεί ζημιά.** Το σέρβις των πακέτων μπαταριών πρέπει να γίνεται μόνο από τον κατασκευαστή ή από εξουσιοδοτημένους παρόχους σέρβις.

Συμπληρωματικές προειδοποιήσεις ασφαλείας για τα ηλεκτρικά εργαλεία



Προειδοποίηση! Συμπληρωματικές οδηγίες ασφαλείας για τα κλαδευτήρια με μακριά λαβή

- ◆ Κρατάτε όλα τα μέρη του σώματος μακριά από την αλυσίδα όταν το αλυσοπρίονο βρίσκεται σε λειτουργία. Πριν να θέσετε σε λειτουργία το αλυσοπρίονο, φροντίστε η αλυσίδα του πριονιού να μη βρίσκεται σε επαφή με οποιοδήποτε αντικείμενο. Μια στιγμήα απροσεξία κατά το χειρισμό του αλυσοπρίονου μπορεί να οδηγήσει στην εμπλοκή του εργαλείου με τα ρούχα ή το σώμα σας.
- ◆ Πάντα να κρατάτε το αλυσοπρίονο με το δεξί χέρι στην πίσω χειρολαβή και το αριστερό σας στην μπροστινή χειρολαβή. Ποτέ δεν πρέπει να κρατάτε το αλυσοπρίονο με αντίθετη διάταξη χεριών γιατί αυξάνεται ο κίνδυνος προσωπικού τραυματισμού.
- ◆ Κρατάτε το ηλεκτρικό εργαλείο από τις μονωμένες επιφάνειες λαβής μόνο, διότι η αλυσίδα του πριονιού μπορεί να έρθει σε επαφή με κρυμμένα καλώδια. Οι αλυσίδες πριονιού που έρχονται σε επαφή με καλώδια υπό τάση μπορεί να καταστήσουν και τα εκτεθειμένα μεταλλικά μέρη του ηλεκτρικού εργαλείου ηλεκτροφόρα και να προκαλέσουν ηλεκτροπληξία στο χειριστή.
- ◆ Όταν χρησιμοποιείτε αυτό το εργαλείο, να φοράτε προστατευτικά γυαλιά και ιωσασπίδες. Συνιστάται η χρήση περαιτέρω προστατευτικού εξοπλισμού για το κεφάλι, τα χέρια και τα πόδια. Τα κατάλληλα προστατευτικά ρούχα μειώνουν τον κίνδυνο προσωπικού τραυματισμού από τα εκτοξευόμενα θραύσματα ή την τυχαία επαφή με την αλυσίδα.
- ◆ Μη λειτουργείτε το αλυσοπρίονο ανεβασμένος σε δέντρο. Η χρήση του αλυσοπρίονου ενώ βρίσκεστε

πάνω σε δέντρο μπορεί να οδηγήσει σε προσωπικό τραυματισμό.

- ◆ **Φροντίζετε να έχετε πάντοτε την κατάλληλη στάση και να λειτουργείτε το αλυσοπρίονο μόνο όταν στέκεστε σε σταθερή, ασφαλή και επίπεδη επιφάνεια.** Οι ολισθηρές ή ασταθείς επιφάνειες όπως οι σκάλες μπορούν να προκαλέσουν απώλεια της ισορροπίας ή του ελέγχου του αλυσοπρίονου.
- ◆ **Κατά την κοπή ενός κλαδιού που έχει καμφθεί, προσέξτε το ενδεχόμενο επαναφοράς του.** Όταν πάψει να ασκείται πίεση στις ίνες του ξύλου, το κλαδί που βρισκόταν σε κάμψη ενδέχεται να κτυπήσει το χειριστή ή/και το αλυσοπρίονο, με αποτέλεσμα την απώλεια του ελέγχου του.
- ◆ **Να είστε ιδιαίτερα προσεκτικοί όταν κόβετε θάμνους και δενδρύλλια.** Τα λεπτά υλικά μπορεί να πιαστούν στην αλυσίδα και να πιναχτούν προς εσάς ή να σας κάνουν να χάσετε την ισορροπία σας.
- ◆ **Να μεταφέρετε το αλυσοπρίονο από την μπροστινή λαβή ή την αλυσίδα πριονιού σταματημένη και σε απόσταση από το σώμα σας.** Όταν αποθηκεύετε ή μετακινείτε το αλυσοπρίονο τοποθετείτε πάντα το κάλυμμα της μπάρας οδηγού. Ο σωστός χειρισμός του αλυσοπρίονου μειώνει την πιθανότητα τυχαίας επαφής με την κινούμενη αλυσίδα.
- ◆ **Ακολουθήστε τις σχετικές οδηγίες σε ότι αφορά τη λίπανση, το τέντωμα της αλυσίδας και την αλλαγή των εξαρτημάτων.** Όταν μια αλυσίδα δεν έχει ταυστεί ή λιπανθεί σωστά, μπορεί να σπάσει ή να έχει αυξημένη πιθανότητα ανάδρασης (κλωστήματος).
- ◆ **Φροντίστε οι λαβές να είναι στεγνές, καθαρές και χωρίς λάδια ή γράσα.** Οι λερωμένες με γράσο ή λάδι λαβές γλιστρούν, με αποτέλεσμα την απώλεια του ελέγχου.
- ◆ **Το εργαλείο προορίζεται αποκλειστικά για την κοπή ξύλου. Μη χρησιμοποιείτε το αλυσοπρίονο για εργασίες για τις οποίες δεν προορίζεται.** Για παράδειγμα: μη χρησιμοποιείτε αυτό το αλυσοπρίονο για κοπή πλαστικών, ειδών τοιχοποιίας ή μη-ξύλινων δομικών υλικών. Η χρήση του αλυσοπρίονου για εργασίες πέρα από τις προβλεπόμενες μπορεί να δημιουργήσει επικίνδυνες καταστάσεις.

Αιτίες της ανάδρασης και αποτροπή της από το χρήστη

Μπορεί να παρατηρηθεί ανάδραση όταν η μύτη ή το άκρο της μπάρας οδηγού έρθει σε επαφή με ένα αντικείμενο ή όταν το ξύλο περισφίξει και μαγκώσει την αλυσίδα πριονιού μέσα στην τομή.

Η επαφή του άκρου με ένα αντικείμενο μπορεί σε ορισμένες περιπτώσεις να προκαλέσει απότομη αντίστροφη κίνηση, κλωστώντας την μπάρα οδηγού προς τα πάνω και προς

τα πίσω προς το μέρος του χειριστή. Το μάγκωμα της αλυσίδας του εργαλείου κατά μήκος του πάνω μέρους της μπάρας οδηγού μπορεί να σπρώξει την μπάρα οδηγού απότομα πίσω προς το μέρος του χειριστή. Μία από αυτές τις αντιδράσεις μπορεί να σας κάνει να χάσετε τον έλεγχο του αλυσοπρίονου με κίνδυνο σοβαρού τραυματισμού. Μη βασίζεστε αποκλειστικά στις διατάξεις ασφαλείας που διαθέτει το αλυσοπρίονο σας. Ως χρήστης αλυσοπρίονου, θα πρέπει να παίρνετε ορισμένες προφυλάξεις για να αποφύγετε τα ατυχήματα και τους τραυματισμούς κατά τη διάρκεια των εργασιών κοπής που εκτελείτε.

Η ανάδραση είναι το αποτέλεσμα κακής χρήσης του εργαλείου και/ή λανθασμένων διαδικασιών ή συνθηκών χειρισμού και μπορεί να αποφευχθεί με τη λήψη κατάλληλων μέτρων προφύλαξης, όπως αναφέρονται πιο κάτω:

- ◆ Κρατάτε γερά το αλυσοπρίονο, με τους αντίχειρες και τα δάχτυλα να περικλείουν την λαβή του αλυσοπρίονου. **Να κρατάτε το αλυσοπρίονο και με τα δυο σας χέρια και να δίνετε στο σώμα και στους βραχίονές σας μια θέση, στην οποία θα μπορούσατε να αντιμετωπίσετε τυχόν δυνάμεις ανάδρασης.** Όταν έχουν ληφθεί κατάλληλα μέτρα προφύλαξης, ο χειριστής μπορεί να ελέγξει τις δυνάμεις ανάδρασης. Μη αφήνετε ελεύθερο το αλυσοπρίονο.
- ◆ **Μην τεντώνετε υπερβολικά και μην κόβετε πάνω από το ύψος του ώμου σας.** Αυτό βοηθάει στην αποφυγή της αθελήτης επαφής του άκρου με άλλο αντικείμενο και επιτρέπει τον καλύτερο έλεγχο του αλυσοπρίονου σε απρόοπτες καταστάσεις.
- ◆ **Χρησιμοποιείτε αποκλειστικά ανταλλακτικές μπάρες οδηγού και αλυσίδες που καθορίζονται από τον κατασκευαστή.** Ακατάλληλες ανταλλακτικές μπάρες οδηγού και αλυσίδες μπορεί να προκαλέσουν θραύση της αλυσίδας και/ή ανάδραση.
- ◆ **Να ακολουθείτε πάντα τις οδηγίες του κατασκευαστή σχετικά με το ακόνισμα και τη συντήρηση της αλυσίδας πριονιού.** Η μείωση του ύψους του ρυθμιστή βάθους κοπής μπορεί να οδηγήσει σε αυξημένη ανάδραση.
- ◆ **Αν χτυπήσατε μέταλλο, τσιμέντο ή άλλο σκληρό υλικό που βρίσκεται κοντά στο ξύλο ή χωμένο μέσα στο ξύλο μπορεί να προκληθεί ανάδραση.**
- ◆ **Αν η αλυσίδα δεν είναι αιχμηρή ή αν είναι χαλαρή μπορεί να προκαλέσει ανάδραση.**
- ◆ **Μην επιχειρήσετε να εισάγετε το εργαλείο σε προηγούμενη τομή, γιατί θα μπορούσε να προκληθεί ανάδραση.** Κάντε μια νέα κοπή κάθε φορά.
- ◆ **Συνιστούμε θερμά σε όσους χρησιμοποιούν αλυσοπρίονο για πρώτη φορά να λαμβάνουν πρακτικές οδηγίες για τη χρήση και τον προστατευτικό εξοπλισμό του αλυσοπρίονου από έναν πεπειραμένο χρήστη.** Θα πρέπει να γίνεται

εξάσκηση στην κοπή κορμών πάνω σε καβαλέτο ή κρίκιωμα.

- ◆ **Συνιστούμε όταν μεταφέρετε το αλυσοπρίονο, να αφαιρείτε τη μπαταρία και να βεβαιώνετε ότι η αλυσίδα πριονιού είναι στραμμένη προς τα πίσω.**
- ◆ **Συντηρείτε το αλυσοπρίονό σας όταν δεν το χρησιμοποιείτε. Όταν φυλάσσετε το αλυσοπρίονό σας για μεγάλο χρονικό διάστημα πρέπει να αφαιρείτε την αλυσίδα και την μπάρα οδηγού και να τα φυλάσσετε μέσα σε λάδι. Φυλάσσετε όλα τα εξαρτήματα του αλυσοπρίονου σε ένα ξηρό, ασφαλές μέρος μακριά από τα παιδιά.**
- ◆ **Συνιστούμε να αποστραγγίσετε το δοχείο λαδιού πριν από την φύλαξη.**
- ◆ **Βεβαιωθείτε ότι στηρίζετε καλά στα πόδια σας και προβλέψτε έναν ασφαλή δρόμο διαφυγής από το δέντρο ή τα κλαδιά που τυχόν θα πέσουν.**
- ◆ **Χρησιμοποιήστε σφήνες για να ελέγξετε καλύτερα την υλοτόμηση δένδρων και για να αποφύγετε το σφήνωμα της μπάρας οδηγού και του αλυσοπρίονου μέσα στην τομή.**
- ◆ **Φροντίδα της αλυσίδας του πριονιού. Διατηρείτε την αλυσίδα αιχμηρή και σφιχτή πάνω στην μπάρα οδηγού. Βεβαιωθείτε ότι η αλυσίδα και η μπάρα οδηγού είναι καθαρές και καλά λαδωμένες. Διατηρείτε τις λαβές στεγνές, καθαρές, χωρίς λάδι και γράσο.**
- ◆ **Βεβαιωθείτε πως υπάρχει κάποιος κοντά (αλλά σε απόσταση ασφαλείας) για την περίπτωση ατυχήματος.**
- ◆ **Αν για οποιονδήποτε λόγο πρέπει να αγγίξετε την αλυσίδα πριονιού, βεβαιωθείτε ότι το αλυσοπρίονο είναι αποσυνδεδεμένο από την μπαταρία.**
- ◆ **Ο θόρυβος που προκαλείται από το προϊόν αυτό μπορεί να ξεπεράσει τα 85 dB(A). Επομένως σας συνιστούμε να λαμβάνετε τα απαραίτητα μέτρα για την προστασία της ακοής σας.**
- ◆ **Κατά το χειρισμό του προϊόντος η μπάρα της αλυσίδας μπορεί να αποκτήσει υψηλή θερμοκρασία. Να κάνετε προσεκτικούς χειρισμούς.**
- ◆ **Κρατάτε τα καλώδια επέκτασης μακριά από στοιχεία κοπής.**

Ασφάλεια τρίτων

- ◆ Αυτό το εργαλείο δεν προορίζεται για χρήση από άτομα (στα οποία περιλαμβάνονται και τα παιδιά) με μειωμένες φυσικές, αισθητηριακές ή διανοητικές ικανότητες ή άτομα χωρίς εμπειρία και γνώσεις, παρά μόνο εφόσον επιτηρούνται ή τους έχουν δοθεί οδηγίες σχετικά με τη χρήση του εργαλείου από άτομο υπεύθυνο για την ασφάλειά τους.
- ◆ Τα παιδιά πρέπει να επιτηρούνται για να διασφαλίζεται ότι δεν παίζουν με τη συσκευή.

Υπολειπόμενοι κίνδυνοι

Κατά τη χρήση του εργαλείου μπορεί να δημιουργηθούν πρόσθετοι υπολειπόμενοι κίνδυνοι, οι οποίοι ενδέχεται να μη συμπεριλαμβάνονται στις προειδοποιήσεις ασφαλείας που εσωκλείονται. Αυτοί οι κίνδυνοι μπορεί να προκληθούν από κακή χρήση, παρατεταμένη χρήση κλπ. Παρά την εφαρμογή των σχετικών κανονισμών ασφαλείας και τη χρήση διατάξεων ασφαλείας, ορισμένοι υπολειπόμενοι κίνδυνοι δεν είναι δυνατόν να αποφευχθούν. Σε αυτούς περιλαμβάνονται:

- ◆ Τραυματισμοί από επαφή με περιστρεφόμενα/κινούμενα μέρη.
- ◆ Τραυματισμοί κατά την αλλαγή οποιωνδήποτε εξαρτημάτων, λαμών ή αξεσουάρ.
- ◆ Σωματικές βλάβες από παρατεταμένη χρήση του εργαλείου. Όταν χρησιμοποιείτε οποιονδήποτε εργαλείο για παρατεταμένα χρονικά διαστήματα, μην παραλείπετε με κανένα τρόπο να κάνετε τακτικά διαλείμματα.
- ◆ Βλάβη της ακοής.
- ◆ Κίνδυνοι για την υγεία λόγω εισπνοής σκόνης που αναπτύσσεται κατά τη χρήση του εργαλείου σας (παράδειγμα: εργασία με ξύλο, ειδικά βελανιδιά, οξιά και MDF.)

Κραδασμοί

Η δηλωμένη τιμή εκπομπής κραδασμών που αναφέρεται στα τεχνικά χαρακτηριστικά και στη δήλωση συμμόρφωσης έχει μετρηθεί σύμφωνα με τυποποιημένη μέθοδο δοκιμής που προβλέπεται από το πρότυπο EN 60745 και μπορεί να χρησιμοποιηθεί για τη σύγκριση ενός εργαλείου με ένα άλλο. Η δηλωμένη τιμή εκπομπής κραδασμών μπορεί επίσης να χρησιμοποιηθεί σε έναν προκαταρκτικό προσδιορισμό της έκθεσης σε κραδασμούς.

Προειδοποίηση! Στην πράξη, η τιμή εκπομπής κραδασμών κατά την χρήση του ηλεκτρικού εργαλείου μπορεί να διαφέρει από την τιμή που δηλώθηκε, ανάλογα με τον τρόπο που χρησιμοποιείται το εργαλείο. Το επίπεδο κραδασμών μπορεί να αυξηθεί πάνω από το επίπεδο που έχει δηλωθεί.

Κατά τον προσδιορισμό της έκθεσης σε κραδασμούς για τον καθορισμό των απαιτούμενων μέτρων ασφαλείας σύμφωνα με την οδηγία 2002/44/EK για την προστασία προσώπων που χρησιμοποιούν συχνά ηλεκτρικά εργαλεία στην εργασία τους, μια προσεγγιστική εκτίμηση της έκθεσης σε κραδασμούς πρέπει να λαμβάνει υπόψη τις πραγματικές συνθήκες χρήσης και τον τρόπο χρήσης του εργαλείου, συμπεριλαμβανομένων και όλων των επιμέρους τμημάτων του κύκλου εργασίας, όπως τα χρονικά διαστήματα που το εργαλείο ήταν εκτός λειτουργίας και τα διαστήματα λειτουργίας χωρίς φορτίο, επιπλέον του χρόνου πίεσης της σκανδάλης.

Κλάδεμα

Πριν αποπειραθείτε να κλαδέψετε ένα δέντρο, βεβαιωθείτε ότι δεν υπάρχουν νόμοι ή κανονισμοί που απαγορεύουν ή περιορίζουν το κόψιμο των δέντρων.

- ◆ Καθορίστε την κατεύθυνση προς την οποία μπορεί να πέσει ένα κλαδί. Λάβετε υπόψη όλους τους παράγοντες που ενδέχεται να επηρεάσουν την κατεύθυνση της πτώσης, συμπεριλαμβανομένων:
 - ◆ του μήκους και του βάρους του κλαδιού που θα κοπεί
 - ◆ της επιθυμητής κατεύθυνσης της πτώσης
 - ◆ οποιουδήποτε δομικού χαρακτηριστικού του κλαδιού με μεγάλο βάρος ή τυχόν σημείου σήψης
 - ◆ την παρουσία γύρω δέντρων και εμποδίων,
 - ◆ συμπεριλαμβανομένων εναέριων καλωδίων
 - ◆ της εμπλοκής με άλλα κλαδιά
 - ◆ της ταχύτητας και της διεύθυνσης του ανέμου.
 - ◆ Εξετάστε την πρόσβαση στο κλαδί.

Τα κλαδιά του δέντρου μπορεί να αιωρηθούν προς το κορμό του δέντρου. Εκτός από το χρήστη, κάθε παρευρισκόμενος, κτίριο ή αντικείμενο κάτω από το κλαδί κινδυνεύει να πληγεί από το κλαδί που θα πέσει.

Ετικέτες πάνω στο εργαλείο

Το εργαλείο φέρει τα παρακάτω εικονογράμματα μαζί με τον κωδικό ημερομηνίας:



Προειδοποίηση! Για να μειωθεί ο κίνδυνος τραυματισμού, ο χρήστης πρέπει να διαβάσει το εγχειρίδιο οδηγιών.



Μην εκθέτετε το εργαλείο στη βροχή ή σε υψηλή υγρασία.



Προσέχετε για τυχόν αντικείμενα που πέφτουν. Μην επιτρέπετε να πλησιάσουν άλλα άτομα.



Κίνδυνος ηλεκτροπληξίας. Κρατηθείτε τουλάχιστον 10 m μακριά από υπερκείμενα καλώδια.



Να φοράτε πάντα προστατευτικό εξοπλισμό για το κεφάλι και τα μάτια.



Να φοράτε πάντα αντιολισθητικά υποδήματα ασφαλείας.

Για να εξασφαλίσετε τη συνεχή ασφαλή λειτουργία, ελέγχετε την τάση της αλυσίδας όπως περιγράφεται σε αυτό το εγχειρίδιο μετά από κάθε 10 λεπτά χρήσης, και ρυθμίστε τη ξανά σε διάκενο 3 mm όπως απαιτείται. Λαδώνετε την αλυσίδα μετά από κάθε 10 λεπτά χρήσης.



Η κατεύθυνση περιστροφής της αλυσίδας.

Προειδοποίηση! Μην αγγίζετε την αλυσίδα στο σημείο εξαγωγής των απορριμμάτων κοπής.



Πρόσθετες οδηγίες ασφαλείας για μπαταρίες και φορτιστές

Μπαταρίες

- ◆ Ποτέ μην επιχειρήσετε να τις ανοίξετε, για κανένα λόγο.
- ◆ Μην εκθέτετε την μπαταρία σε νερό.
- ◆ Μην τις αποθηκεύετε σε θέσεις όπου η θερμοκρασία ενδέχεται να υπερβεί τους 40 °C.
- ◆ Να τις φορτίζετε μόνο σε θερμοκρασίες περιβάλλοντος μεταξύ 10 °C και 40 °C.
- ◆ Να τις φορτίζετε μόνο με τη χρήση του φορτιστή που παρέχεται με το εργαλείο.
- ◆ Κατά την απόρριψη μπαταριών, να ακολουθείτε τις οδηγίες που παρέχονται στην ενότητα "Προστασία του περιβάλλοντος".
- ◆ Μην καταστρέφετε/παρामορφώνετε την μπαταρία είτε τρυπώντας ή χτυπώντας την, διότι μπορεί να προκληθεί κίνδυνος τραυματισμού ή πυρκαγιάς.
- ◆ Μη φορτίζετε μπαταρίες που έχουν υποστεί ζημιά.
- ◆ Υπό ακραίες συνθήκες, μπορεί να επέλθει διαρροή υγρών της μπαταρίας. Αν παρατηρήσετε υγρό πάνω στις μπαταρίες, σκουπίστε το προσεκτικά με ένα πανί. Αποφύγετε την επαφή με το δέρμα.
- ◆ Σε περίπτωση επαφής με το δέρμα ή τα μάτια, ακολουθήστε τις παρακάτω οδηγίες.

Προειδοποίηση! Το υγρό της μπαταρίας μπορεί να προκαλέσει σωματικές βλάβες ή υλικές ζημιές. Σε περίπτωση επαφής με το δέρμα, ξεπλύνετε αμέσως με άφθονο νερό. Αν παρουσιαστεί κοκκίνισμα του δέρματος, πόνος ή ερεθισμός, ζητήστε ιατρική βοήθεια. Σε περίπτωση επαφής με τα μάτια, ξεπλύνετε αμέσως με καθαρό νερό και ζητήστε ιατρική βοήθεια.

Φορτιστές

Ο φορτιστής σας είναι σχεδιασμένος για συγκεκριμένη ηλεκτρική τάση. Ελέγχετε πάντα ότι η τάση ρεύματος δικτύου συμφωνεί με αυτήν που αναγράφεται στην πινακίδα τεχνικών χαρακτηριστικών.

- ◆ Ο φορτιστής BLACK+DECKER πρέπει να χρησιμοποιείται αποκλειστικά και μόνο για τη φόρτιση της μπαταρίας του εργαλείου που συνδέει. Άλλες μπαταρίες ενδέχεται να εκραγούν, προκαλώντας τραυματισμό ατόμων και ζημιές.
- ◆ Μην επιχειρήσετε ποτέ να φορτίσετε μη επαναφορτιζόμενες μπαταρίες.
- ◆ Να φροντίζετε να αντικαθίστανται άμεσα τα καλώδια που έχουν υποστεί ζημιά.
- ◆ Μην εκθέτετε το φορτιστή σε νερό.

- ◆ Μην ανοίγετε το φορτιστή.
- ◆ Μην εισάγετε οποιαδήποτε αντικείμενα μέσα στο φορτιστή.
- ◆ Κατά τη φόρτιση, ο φορτιστής πρέπει να βρίσκεται σε καλά αεριζόμενο χώρο.

Σύμβολα επάνω στο φορτιστή

Ο φορτιστής φέρει τα παρακάτω σύμβολα:



Ο φορτιστής προορίζεται για χρήση μόνο σε εσωτερικούς χώρους.



Διαβάστε το εγχειρίδιο οδηγιών πριν τη χρήση.

Ασφαλής χρήση ηλεκτρικού ρεύματος



Ο φορτιστής σας φέρει διπλή μόνωση. Επομένως, δεν απαιτείται αγωγός γείωσης. Ελέγχετε πάντα ότι η τάση ρεύματος δικτύου συμφωνεί με αυτήν που αναγράφεται στην πινακίδα τεχνικών χαρακτηριστικών. Ποτέ μην επιχειρήσετε να αντικαταστήσετε τη μονάδα φορτιστή με κανονικό φως ρεύματος δικτύου.

- ◆ Αν το καλώδιο ρεύματος έχει υποστεί ζημιά, πρέπει να αντικατασταθεί από τον κατασκευαστή ή εξουσιοδοτημένο κέντρο σέρβις BLACK+DECKER, για την αποφυγή κινδύνου.

Χαρακτηριστικά

Η συσκευή αυτή διαθέτει μερικά ή όλα από τα παρακάτω χαρακτηριστικά.

1. Διακόπτης on/off
2. Διακόπτης απασφάλισης
3. Κύρια χειρολαβή
4. Κεφαλή κοπής
5. Κάλυμμα οδοντωτού τροχού
6. Μπάρα οδηγού
7. Αλυσίδα
8. Θήκη αλυσίδας
9. Φιάλη λίπανσης
10. Σωλήνα προέκτασης
11. Μπαταρία

Εικ. Α

12. Φορτιστής

Συναρμολόγηση

Προειδοποίηση! Πριν από τη συναρμολόγηση, αφαιρέστε την μπαταρία από το εργαλείο.

Τοποθέτηση και αφαίρεση της μπαταρίας (εικ. Β)

- ◆ Για να τοποθετήσετε τη μπαταρία (11), ευθυγραμμίστε την με την υποδοχή στο εργαλείο. Τοποθετήστε την μπαταρία

μέσα στην υποδοχή και σπρώξτε την μέχρι να ασφαλίσει στη θέση της.

- ◆ Για να αφαιρέσετε τη μπαταρία, πατήστε τα κουμπιά απασφάλισης (13) και ταυτόχρονα τραβήξτε τη μπαταρία έξω από την υποδοχή.

Προειδοποίηση! Για να αποτρέψετε την κατά λάθος λειτουργία βεβαιωθείτε ότι έχετε αφαιρέσει την μπαταρία και τοποθετήσει τη θήκη της αλυσίδας επάνω στην αλυσίδα προτού εκτελέσετε τους ακόλουθους χειρισμούς. Σε αντίθετη περίπτωση υπάρχει κίνδυνος πρόκλησης σοβαρού τραυματισμού.

Τοποθέτηση της κεφαλής κοπής (εικ. C)

Η κεφαλή κοπής μπορεί να τοποθετηθεί απευθείας στη λαβή προκειμένου να επιτευχθεί η τυπική εμβέλεια.

- ◆ Ευθυγραμμίστε την εγκοπή της εξωτερικού του άκρου σύνδεσης της λαβής (3) με το γλωσσίδι στο εσωτερικό του άκρου σύνδεσης της κεφαλής κοπής (4). Πιέστε την κεφαλή κοπής (4) πάνω στη λαβή (3).
- ◆ Σπρώξτε κάτω το κολάρο (14) και περιστρέψτε το δεξιόστροφα μέχρι να σφίξει πλήρως.

Προειδοποίηση! Περιοδικά ελέγχετε τις συνδέσεις για να εξασφαλίσετε ότι είναι καλά σφιγμένες.

Επέκταση της κεφαλής κοπής (εικ. D)

Η μέγιστη εμβέλεια μπορεί να επιτευχθεί τοποθετώντας το σωλήνα προέκτασης (10) μεταξύ της κεφαλής κοπής (4) και της λαβής (3).

- ◆ Ευθυγραμμίστε την εγκοπή στο εξωτερικό του άκρου σύνδεσης της λαβής (3) με το γλωσσίδι στο εσωτερικό του άκρου σύνδεσης του σωλήνα προέκτασης (10).
- ◆ Πιέστε το σωλήνα προέκτασης (10) πάνω στη λαβή (3).
- ◆ Σπρώξτε κάτω το κολάρο (15) και περιστρέψτε το δεξιόστροφα μέχρι να σφίξει απόλυτα.
- ◆ Ευθυγραμμίστε την εγκοπή στο εξωτερικό του άκρου σύνδεσης του σωλήνα προέκτασης (10) με το γλωσσίδι στο εσωτερικό του άκρου σύνδεσης της κεφαλής κοπής (4).
- ◆ Πιέστε την κεφαλή κοπής (4) πάνω στο σωλήνα προέκτασης (10).
- ◆ Σπρώξτε κάτω το κολάρο (14) και περιστρέψτε το δεξιόστροφα μέχρι να σφίξει απόλυτα.

Προειδοποίηση! Περιοδικά ελέγχετε τις συνδέσεις για να εξασφαλίσετε ότι είναι καλά σφιγμένες.

Αφαίρεση της κεφαλής κοπής (εικ. C & D)

Εάν είναι τοποθετημένος ο σωλήνας προέκτασης (10), πρέπει πρώτα να αφαιρεθεί η κεφαλή κοπής.

- ◆ Για να αφαιρέσετε την κεφαλή κοπής (4), ακουμπήστε τη λαβή (3) στο έδαφος, χαλαρώστε το κολάρο (14) και αφαιρέστε την κεφαλή κοπής.

Χρήση

Προειδοποίηση! Αφήστε το εργαλείο να λειτουργήσει με το δικό του ρυθμό. Μην το υπερφορτώνετε.

Φόρτιση της μπαταρίας - Εικόνα Α

Η μπαταρία πρέπει να φορτιστεί πριν την πρώτη χρήση και όταν δεν μπορεί να παρέχει επαρκή ισχύ σε εργασίες που πριν γίνοντουσαν εύκολα. Η μπαταρία μπορεί να θερμαίνεται κατά τη φόρτιση. Κάτι τέτοιο είναι φυσιολογικό και δεν υποδηλώνει πρόβλημα.

Προειδοποίηση! Μη φορτίζετε την μπαταρία σε θερμοκρασίες περιβάλλοντος κάτω από 10°C ή πάνω από 40°C. Συνιστώμενη θερμοκρασία φόρτισης: περίπου 24°C.

Σημείωση: Ο φορτιστής δε θα φορτίσει μια μπαταρία με θερμοκρασία κυψέλης κάτω από περίπου 10°C ή πάνω από 40°C. Η μπαταρία θα πρέπει να μείνει στο φορτιστή και αυτός θα αρχίσει να τη φορτίζει αυτόματα μόλις η θερμοκρασία κυψέλης αυξηθεί ή μειωθεί αντίστοιχα.

- ♦ Για να φορτίσετε την μπαταρία (11), τοποθετήστε την στο φορτιστή (12). Η μπαταρία μπορεί να τοποθετηθεί στο φορτιστή μόνο με έναν τρόπο. Μην ασκείτε δύναμη. Βεβαιωθείτε ότι η μπαταρία είναι τοποθετημένη σωστά στο φορτιστή.
- ♦ Συνδέστε το φορτιστή και συνδέστε στο ρεύμα.
- ♦ Η ενδεικτική λυχνία φόρτισης (24) θα αρχίσει να αναβοσβήνει συνεχώς (αργά) με πράσινο χρώμα.

Η ένδειξη φόρτισης (24) θα αρχίσει να αναβοσβήνει. Η φόρτιση έχει ολοκληρωθεί όταν η ένδειξη φόρτισης (24) ανάβει συνεχώς για να. Ο φορτιστής και η μπαταρία μπορεί να μείνουν συνδεδεμένα για αόριστο χρονικό διάστημα. Η ενδεικτική λυχνία LED θα ανάβει καθώς ο φορτιστής αναπληρώνει περιστασιακά το φορτίο της μπαταρίας.

- ♦ Φορτίστε τις αποφορτισμένες μπαταρίες εντός 1 εβδομάδας. Η διάρκεια ζωής μιας μπαταρίας μειώνεται σημαντικά εάν αυτή αποθηκευτεί σε αποφορτισμένη κατάσταση.

Παραμονή της μπαταρίας στο φορτιστή

Ο φορτιστής και το πακέτο μπαταρίας μπορούν να παραμείνουν σε σύνδεση επ' αόριστον με τη λυχνία LED αναμμένη. Ο φορτιστής θα διατηρεί το πακέτο μπαταρίας σε βέλτιστη κατάσταση και πλήρως φορτισμένο.

Διαγνωστικά φορτιστή

Αν ο φορτιστής ανιχνεύσει ότι η μπαταρία είναι εξασθενημένη ή έχει υποστεί ζημιά, η ενδεικτική λυχνία φόρτισης (24) θα αρχίσει να αναβοσβήνει γρήγορα με κόκκινο χρώμα. Συνεχίστε ως εξής:

- ♦ Επανατοποθετήστε την μπαταρία (11).
- ♦ Εάν η ενδεικτική λυχνία φόρτισης συνεχίσει να αναβοσβήνει γρήγορα με κόκκινο χρώμα, χρησιμοποιήστε μια

άλλη μπαταρία για να εξακριβώσετε αν η διαδικασία φόρτισης λειτουργεί σωστά.

- ♦ Αν η νέα μπαταρία φορτίζεται σωστά, αυτό σημαίνει ότι η αρχική μπαταρία είναι ελαττωματική και θα πρέπει να επιστραφεί σε κέντρο σέρβις για ανακύκλωση.
- ♦ Αν η νέα μπαταρία δίνει την ίδια ένδειξη με την αρχική μπαταρία, δώστε το φορτιστή για έλεγχο σε εξουσιοδοτημένο κέντρο σέρβις.

Προειδοποίηση! Μπορεί να χρειαστούν μέχρι και 60 λεπτά για να εξακριβωθεί εάν η μπαταρία είναι ελαττωματική. Αν η μπαταρία είναι πολύ θερμή ή πολύ κρύα, η ενδεικτική λυχνία LED θα αναβοσβήνει κόκκινη με γρήγορο και αργό ρυθμό εναλλάξ, μια αναλαμπή σε κάθε ρυθμό και κατ' επανάληψη

Ενεργοποίηση και απενεργοποίηση (εικ. Ε)

Για την ασφάλειά σας, αυτό το εργαλείο είναι εξοπλισμένο με διπλό σύστημα ενεργοποίησης. Αυτό το σύστημα εμποδίζει την ακούσια ενεργοποίηση του εργαλείου.

Ενεργοποίηση

- ♦ Πιέστε το κουμπί απασφάλισης (2) προς τα πίσω με τον αντίχειρά σας και ταυτόχρονα πιέστε το διακόπτη on/off (1).
- ♦ Απελευθερώστε το κουμπί απασφάλισης (2).

Απενεργοποίηση

- ♦ Απελευθερώστε το διακόπτη on/off (1).

Προειδοποίηση! Μην επιχειρήσετε ποτέ να ασφαλίσετε ένα διακόπτη στη θέση ενεργοποίησης (ON).

Κλάδεμα (εικ. F)

- ♦ Βεβαιωθείτε ότι το εργαλείο λειτουργεί με τη μέγιστη ταχύτητα πριν πραγματοποιήσετε κοπή.
- ♦ Κρατήστε σταθερά το εργαλείο, για να αποφύγετε πιθανή αναπήδηση ή μετατόπιση του στο πλάι. Κατευθύνετε το εργαλείο μέσα από το κλαδί ασκώντας μικρή πίεση. Κατά την κοπή μεγάλων κλαδιών, όπου μια μερική κοπή μπορεί να σκίσει και να τραυματίσει το δέντρο, προχωρήστε ως εξής:
 - ♦ Πρώτα κόψτε 15 cm από τον κορμό του δέντρου στο κάτω μέρος του κλαδιού. Χρησιμοποιήστε το πάνω μέρος της μπάρας οδηγού (6) για να πραγματοποιήσετε αυτή την κοπή.
 - ♦ Κόψτε κατά το ένα τρίτο της διαμέτρου του κλαδιού. Στη συνέχεια, κόψτε προς τα κάτω, ξεκινώντας από πάνω.

Καθαρισμός συντήρηση και αποθήκευση

Αυτή η συσκευή/εργαλείο με καλώδιο/χωρίς καλώδιο της BLACK+DECKER έχει σχεδιαστεί έτσι ώστε να λειτουργεί για μεγάλο χρονικό διάστημα με την ελάχιστη δυνατή συντήρηση. Η αδιάλειπτη και ικανοποιητική λειτουργία του εργαλείου εξαρτάται από τη φροντίδα και τον τακτικό καθαρισμό του.

Προειδοποίηση! Πριν πραγματοποιήσετε οποιαδήποτε συντήρηση σε ηλεκτρικά εργαλεία με καλώδιο/χωρίς καλώδιο:

- ◆ Απενεργοποιήστε και αποσυνδέστε τη συσκευή/εργαλείο από την πρίζα
- ◆ Ή απενεργοποιήστε και αφαιρέστε την μπαταρία από τη συσκευή/εργαλείο εάν η συσκευή/εργαλείο διαθέτει ξεχωριστή μπαταρία
- ◆ Ή χρησιμοποιήστε την μπαταρία μέχρι να αδειάσει εντελώς και στη συνέχεια απενεργοποιήστε
- ◆ Πριν καθαρίσετε το φορτιστή, αποσυνδέστε τον από την πρίζα. Ο φορτιστής σας δεν απαιτεί κάποια συντήρηση εκτός του τακτικού καθαρισμού.

Να καθαρίζετε τακτικά τις εγκοπές εξαιρισμού της συσκευής/εργαλείου/φορτιστή με μια μαλακή βούρτσα ή με ένα στεγνό πανί.

Να καθαρίζετε τακτικά το περίβλημα του μοτέρ με ένα υγρό πανί. Μη χρησιμοποιείτε λιπαντικά καθαριστικά ή υγρά καθαρισμού που περιέχουν διαλυτικά.

Να ανοίγετε τακτικά το τσوك και να το χτυπάτε ελαφρά για να αφαιρείται η σκόνη από το εσωτερικό του (εφόσον εφαρμόζεται).

Μετά τη χρήση και πριν την αποθήκευση

- ◆ Καθαρίζετε σε τακτική βάση τις εγκοπές εξαιρισμού με ένα καθαρό, στεγνό πινέλο βαφής.
- ◆ Για τον καθαρισμό του εργαλείου, χρησιμοποιήστε αποκλειστικά ήπιο σαπούνι και υγρό πανί. Μην επιτρέψετε ποτέ να εισέλθει υγρό στο εσωτερικό του εργαλείου και μη βυθίσετε ποτέ οποιοδήποτε εξάρτημα του εργαλείου σε υγρό.
- ◆ Αφαιρέστε τα κατάλοιπα χρησιμοποιώντας μια σκληρή βούρτσα.
- ◆ Λιπάνετε την αλυσίδα με λάδι.

Τοποθέτηση και αφαίρεση της αλυσίδας πριονιού (εικ. G & H)

Προειδοποίηση! Φοράτε πάντοτε προστατευτικά γάντια κατά την τοποθέτηση ή την αφαίρεση της αλυσίδας του πριονιού.

Η αλυσίδα πριονιού είναι κοφτερή και μπορεί να σας τραυματίσει χωρίς να βρίσκεται σε λειτουργία.

- ◆ Τοποθετήστε το εργαλείο σε μια σταθερή επιφάνεια.
- ◆ Ξεσφίξτε τις βίδες (16) χρησιμοποιώντας το παρεχόμενο κλειδί Allen. Αφαιρέστε τις βίδες.
- ◆ Αφαιρέστε το κάλυμμα οδοντωτού τροχού (5) και το σφινγκήρα μπάρας (17).
- ◆ Στρέψτε αριστερόστροφα τη βίδα (18) ώστε να κάνετε δυνατή την υποχώρηση της μπάρας οδηγού (6) και να ελαττώσετε την τάνυση της αλυσίδας πριονιού (7).
- ◆ Αφαιρέστε την παλαιά αλυσίδα πριονιού από τον οδοντωτό τροχό (19) και την μπάρα οδηγό (6).
- ◆ Τοποθετήστε τη νέα αλυσίδα στην εσοχή της μπάρας οδηγού και γύρω από τον οδοντωτό τροχό. Βεβαιωθείτε ότι τα δόντια βρίσκονται προς τη σωστή κατεύθυνση

αντιστοιχώντας το βέλος επάνω στην αλυσίδα πριονιού με το βέλος επάνω στο περίβλημα.

- ◆ Βεβαιωθείτε ότι η εσοχή (20) στην μπάρα οδηγό βρίσκεται επάνω από τις ακίδες οριοθέτησης (21) και ότι η οπή (22) κάτω από την εσοχή βρίσκεται επάνω από την ακίδα ρύθμισης (23).
- ◆ Επανατοποθετήστε το κάλυμμα οδοντωτού τροχού (5) και το σφινγκήρα μπάρας (17) και τις βίδες (16).
- ◆ Σφίξτε τις βίδες (16) χρησιμοποιώντας το παρεχόμενο κλειδί Allen.
- ◆ Ρυθμίστε την τάνυση της αλυσίδας όπως περιγράφεται παρακάτω.

Για να εξασφαλίσετε συνεχή και ασφαλή λειτουργία, η αλυσίδα και η μπάρα οδηγού πρέπει να αντικαθίστανται μόνο με γνήσια εξαρτήματα BLACK+DECKER. Αριθμός ανταλλακτικού αλυσίδας A6158 αριθμός ανταλλακτικού μπάρας οδηγού 623381-00.

Έλεγχος και ρύθμιση της τάνυσης της αλυσίδας (εικ. G)

- ◆ Ελέγχετε την τάνυση της αλυσίδας. Η τάνυση έχει ρυθμιστεί σωστά όταν η αλυσίδα πριονιού (7) επανέρχεται αμέσως στη θέση της, αφού τραβηχτεί σε απόσταση 3 mm από τη ράβδο αλυσίδας με μικρή δύναμη με το μεσαίο δάχτυλο και τον αντίχειρα. Δεν πρέπει να υπάρχει "κοιλιά" μεταξύ της ράβδου οδήγησης αλυσίδας (6) και της αλυσίδας πριονιού (7) στην κάτω πλευρά.

Για να ρυθμίσετε την τάνυση:

- ◆ Χαλαρώστε τις βίδες (16).
- ◆ Περιστρέψτε τη βίδα (18) δεξιόστροφα.

Προειδοποίηση! Μην τεντώσετε υπερβολικά την αλυσίδα, καθώς αυτό θα προκαλέσει υπερβολική φθορά και θα μειώσει τη διάρκεια ζωής της ράβδου και της αλυσίδας.

- ◆ Μόλις πετύχετε τη σωστή τάνυση της αλυσίδας, σφίξτε τις βίδες (16).

Προειδοποίηση! Όταν η αλυσίδα πριονιού είναι καινούρια, ελέγχετε συχνά την τάνυση κατά τη διάρκεια των δύο πρώτων ωρών χρήσης, καθώς μια νέα αλυσίδα πριονιού επιμηκώνεται ελαφρά.

Λάδωμα της αλυσίδας

Η αλυσίδα πριονιού πρέπει να λαδώνεται πριν από κάθε χρήση και μετά τον καθαρισμό χρησιμοποιώντας μόνο το σωστό τύπο λαδιού (αρ. κατ. A6027).

- ◆ Λαδώστε ολόκληρη την αλυσίδα πριονιού (7) ομοιόμορφα με το λαδιώτηρι (9).


Αποθήκευση

Εάν το εργαλείο δεν πρόκειται να χρησιμοποιηθεί για αρκετούς μήνες, είναι προτιμότερο να αφήσετε την μπαταρία συνδεδεμένη με το φορτιστή.

Διαφορετικά, κάντε τα ακόλουθα:

- ◆ Φορτίστε πλήρως την μπαταρία.
- ◆ Αφαιρέστε την μπαταρία από το εργαλείο.
- ◆ Αποθηκεύστε το εργαλείο και την μπαταρία σε ασφαλές και στεγνό μέρος.
- ◆ Η θερμοκρασία αποθήκευσης πρέπει πάντοτε να παραμένει μεταξύ +10 °C έως +40 °C. Τοποθετήστε την μπαταρία σε μια επίπεδη επιφάνεια.
- ◆ Πριν από τη χρήση του εργαλείου μετά από παρατεταμένη αποθήκευση, φορτίστε πλήρως την μπαταρία ξανά.

Προστασία του περιβάλλοντος

 Χωριστή συλλογή. Τα προϊόντα και οι μπαταρίες που επισημαίνονται με αυτό το σύμβολο δεν πρέπει να απορρίπτονται μαζί με τα κανονικά οικιακά απορρίμματα.

Τα προϊόντα και οι μπαταρίες περιέχουν υλικά που μπορούν να ανακτηθούν ή να ανακυκλωθούν ώστε να μειωθούν οι ανάγκες για πρώτες ύλες.

Παρακαλούμε να ανακυκλώνετε τα ηλεκτρικά προϊόντα και τις μπαταρίες σύμφωνα με τους τοπικούς κανονισμούς.

Περισσότερες πληροφορίες διατίθενται στον ιστότοπο www.2helpU.com

Τεχνικά δεδομένα

PS1820ST1, PS1820L1 H2		
Τάση	V _{DC}	18
Ταχύτητα αλυσίδας (χωρίς φορτίο)	m/s	190
Μέγιστο μήκος κοπής	cm	17
Βάρος	kg	3,5
Μπαταρία BL2518		
Τάση	V _{DC}	18
Χωρητικότητα	Ah	2.5
Τύπος		Ιόντων λιθίου
Φορτιστής 906068**		
Τάση εισόδου	V _{AC}	230
Τάση εξόδου	Ah	18
Ρεύμα εξόδου	mA	2000

Στάθμη πίεσης ήχου σύμφωνα με το πρότυπο EN 60745:

Πίεση ήχου (L_{WA}) 78 dB(A), αβεβαιότητα (K) 3 dB(A)
ακουστική ισχύς (L_{WA}) 98 dB(A), αβεβαιότητα (K) 3 dB(A)

Συνολικές τιμές κραδασμών (διανυσματικό άθροισμα τριών αξόνων) κατά EN 60745:

Κοπή μαλακού ξύλου (a_{h,w}) <2,5 m/s², αβεβαιότητα (K) 1,5 m/s²

**Δήλωση συμμόρφωσης ΕΚ
ΟΔΗΓΙΑ ΠΕΡΙ ΜΗΧΑΝΗΜΑΤΩΝ**

PS1820ST1, PS1820L1 – κλαδευτήρι με μακριά λαβή
Η Black & Decker δηλώνει ότι τα προϊόντα αυτά που περιγράφονται στα "τεχνικά χαρακτηριστικά" συμμορφώνονται με:

EN 60745-1:2009 +A11:2010, EN ISO 11680-1:2011

Αυτά τα προϊόντα συμμορφώνονται και με την Οδηγία 2006/42/ΕΚ, 2014/30/ΕΕ και 2011/65/ΕΕ.

Για περισσότερες πληροφορίες, επικοινωνήστε με την Black & Decker στην παρακάτω διεύθυνση ή ανατρέξτε στο πίσω μέρος του εγχειριδίου.

Ο κάτωθι υπογεγραμμένος είναι υπεύθυνος για την κατάρτιση του τεχνικού φακέλου και δηλώνει τα παρόντα εκ μέρους της Black & Decker.

A. Smith

Διευθυντής Τμήματος Μηχανικής
Black & Decker Europe, 210 Bath Road, Slough,
Berkshire, SL1 3YD
Ηνωμένο Βασίλειο
15/01/2019

Εγγύηση

Η Black & Decker είναι σίγουρη για την ποιότητα των προϊόντων της και προσφέρει στους καταναλωτές εγγύηση 24 μηνών από την ημερομηνία αγοράς. Αυτή η εγγύηση συμπληρώνει και με κανένα τρόπο δεν παραβιάζει τα νόμιμα δικαιώματά σας. Η εγγύηση ισχύει εντός της επικράτειας των χωρών μελών της Ευρωπαϊκής Ένωσης και της Ευρωπαϊκής Ζώνης Ελεύθερων Συναλλαγών.

Για να υποβάλτε αξίωση βάσει της εγγύησης, η αξίωση θα πρέπει να είναι σύμφωνη με τους Όρους και προϋποθέσεις της Black & Decker και θα χρειαστεί να υποβάλτε απόδειξη αγοράς στον πωλητή ή σε εξουσιοδοτημένο αντιπρόσωπο επισκευών. Μπορείτε να αποκτήσετε τους Όρους και προϋποθέσεις της εγγύησης 2 ετών της Black & Decker και να μάθετε την τοποθεσία του πλησιέστερου εξουσιοδοτημένου αντιπροσώπου επισκευών στο Internet στο www.2helpU.com, ή επικοινωνώντας με το τοπικό σας γραφείο Black & Decker στη διεύθυνση που υποδεικνύεται στο παρόν εγχειρίδιο.

Παρακαλούμε επισκεφθείτε την ιστοσελίδα μας www.blackanddecker.gr για να καταχωρίσετε το νέο σας προϊόν Black & Decker και για να ενημερώνεστε για τα νέα προϊόντα και τις ειδικές προσφορές.

België/Belgique/Luxembourg www.blackanddecker.be enduser.be@sbdinc.com	Stanley Black & Decker Belgium BVBA Egide Walschaertsstraat 16 2800 Mechelen	Tel. NL +32 15 47 37 65 Tel. FR +32 15 47 37 66 Fax. +32 15 47 37 99
Danmark	Black & Decker Roskildevej 22 2620 Albertslund	kundeservice.dk@sbdinc.com www.blackanddecker.dk
Deutschland www.blackanddecker.de infobdgc@sbdinc.com	Stanley Black & Decker Deutschland GmbH Black & Decker Str. 40, D - 65510 Idstein	Tel. 06126 21-0 Fax 06126 21-2980
Ελλάδα www.blackanddecker.gr greece.service@sbdinc.com	Stanley Black & Decker (ΕΛΛΑΣ) Ε.Π.Ε ΓΡΑΦΕΙΑ: Σπύριδωνος 7 & Βουλιαγμένης 166 74 Γλυφάδα - Αθήνα	Τηλ. 210-8981616 Φαξ 210-8983570
SERVICE:	Ημερος Τόπος 2 -Χάνι Αδάμ 193 00 Ασπρόπυργος - Αθήνα	Τηλ. Service 210-8985208 Φαξ 210-5597598
España www.blackanddecker.es respuesta.posventa@sbdinc.com	Stanley Black & Decker Ibérica, S.C.A. Parc de Negocis "Mas Blau" Edificio Muntadas, c/Bergadà, 1, Of. A6 08820 El Prat de Llobregat (Barcelona)	Tel. 934 797 400 Fax 934 797 419
France www.blackanddecker.fr	Black & Decker (France) S.A.S. 5 allée des Hêtres B.P. 30084 69579 Limonest Cédex	Tel. 04 72 20 39 20 Fax 04 72 20 39 00
Helvetia www.blackanddecker.ch service@rofoag.ch	ROFO AG Gewerbezone Seeblick 3213 Kleinbösingen	Tel. 026-6749393 Fax 026-6749394
Italia www.blackanddecker.it service.italia@sbdinc.com	Stanley Black & Decker Italia Via Energypark 6 20871 Vimercate (MB)	Tel. 039-9590200 Fax 039-9590313 Numero verde 800-213935
Nederland www.blackanddecker.nl enduser.nl@sbdinc.com	Stanley Black & Decker Netherlands BV Holtum Noordweg 35, 6121 RE BORN Postbus 83, 6120 AB BORN	Tel. +31 164 283 065 Fax +31 164 283 200
Norge	Black & Decker Postboks 4613, Nydalen 0405 Oslo	kundeservice.no@sbdinc.com www.blackanddecker.no
Österreich www.blackanddecker.at service.austria@sbdinc.com	Stanley Black & Decker Austria GmbH Oberlaaerstraße 248, A-1230 Wien	Tel. 01 66116-0 Fax 01 66116-614
Portugal www.blackanddecker.pt resposta.posvenda@sbdinc.com	Black & Decker Limited SARL Quinta da Fonte - Edifício Q55 D. Diniz Rua dos Malhães, 2 e 2A - Piso 2 Esquerdo 2770 - 071 Paço de Arcos	Tel. 214667500 Fax 214667580
Suomi	Black & Decker PL47 00521, Helsinki	asiakaspalvelu.fi@sbdinc.com www.blackanddecker.fi
Sverige	Black & Decker AB Box 94, 431 22 Mölndal	kundservice.se@sbdinc.com www.blackanddecker.se
Türkiye www.blackanddecker.com.tr	KALE Hirdavat ve Makina A.Ş. Defferdar Mah. Savaklar Cad. No:15 Edimekapı / Eyüp / İstanbul 34050	Tel. 0212 533 52 55 Fax. 0212 533 10 05
United Kingdom & Republic Of Ireland www.blackanddecker.co.uk emeaservice@sbdinc.com	Black & Decker 210 Bath Road Slough, Berkshire SL1 3YD	Tel. 01753 511234 Fax 01753 512365
Middle East & Africa www.blackanddecker.ae service.mea@sbdinc.com	Black & Decker P.O.Box - 17164 Jebel Ali Free Zone (South), Dubai, UAE	Tel. +971 4 8863030 Fax +971 4 8863333