

[www.blackanddecker.eu](http://www.blackanddecker.eu)

PH5551

EN

DE

FR

IT

NL

ES

PT

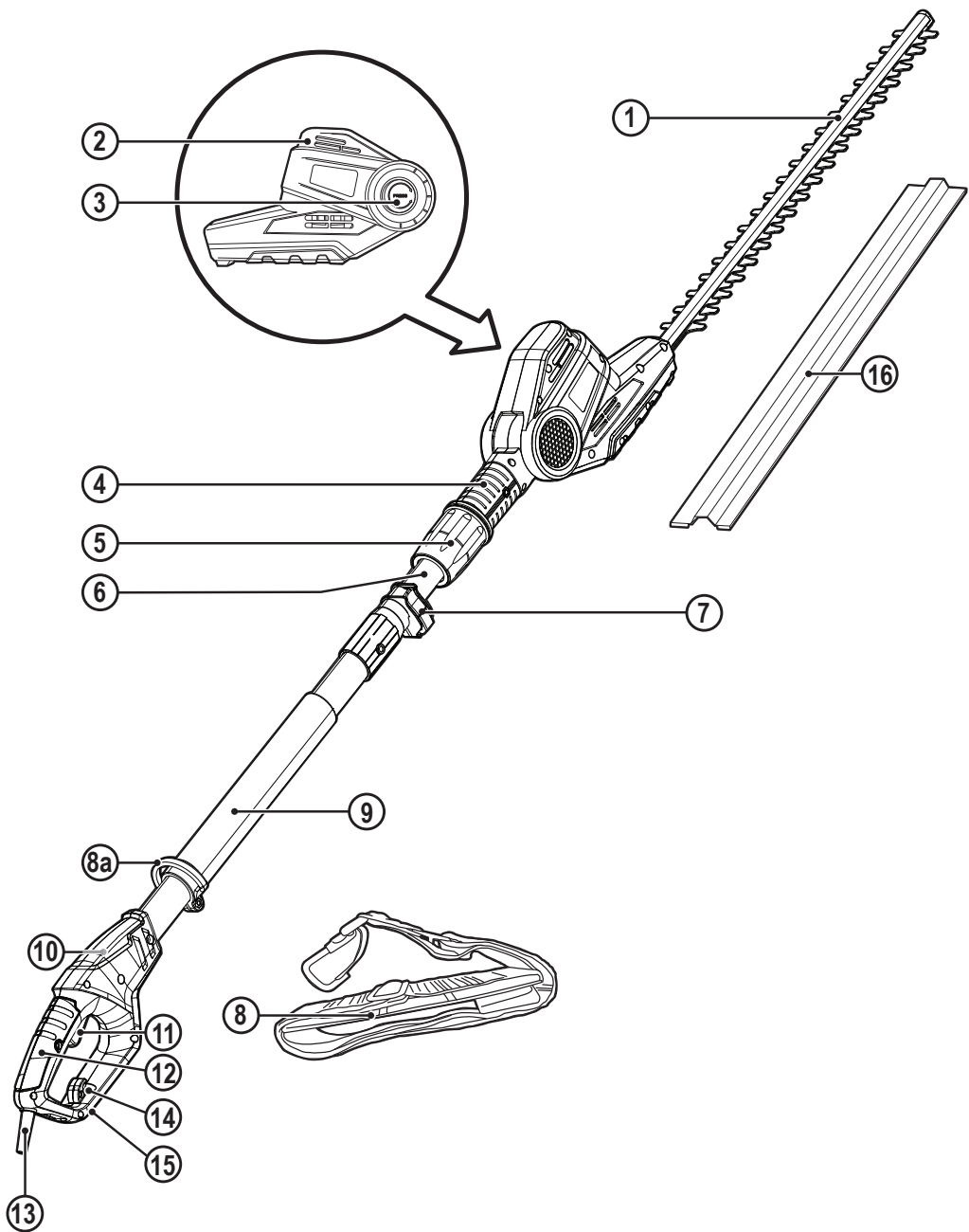
SV

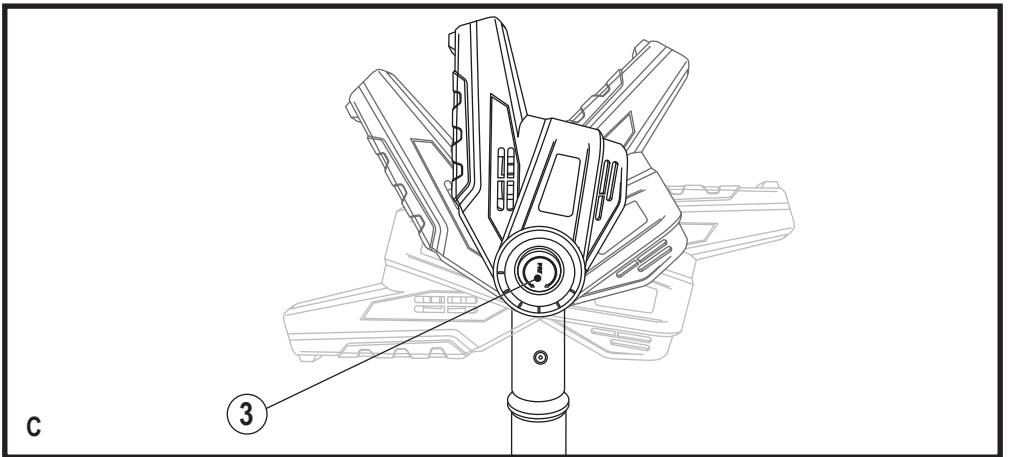
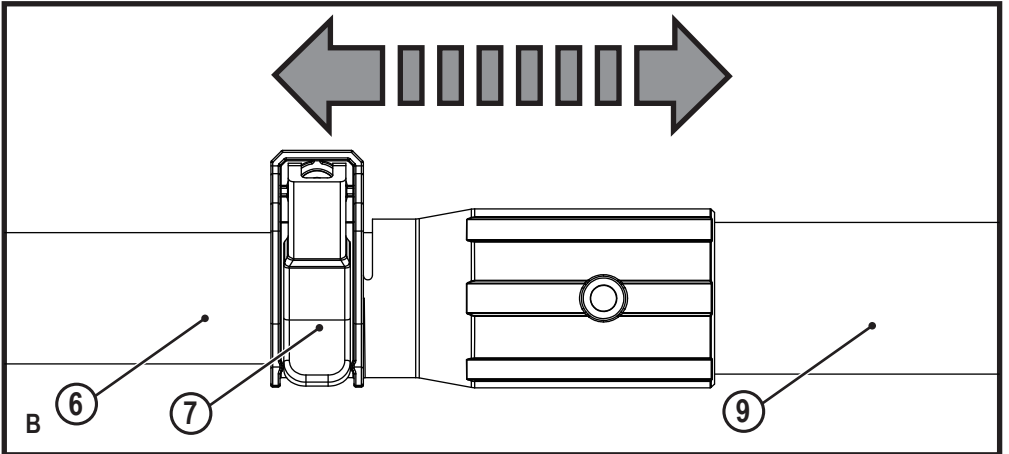
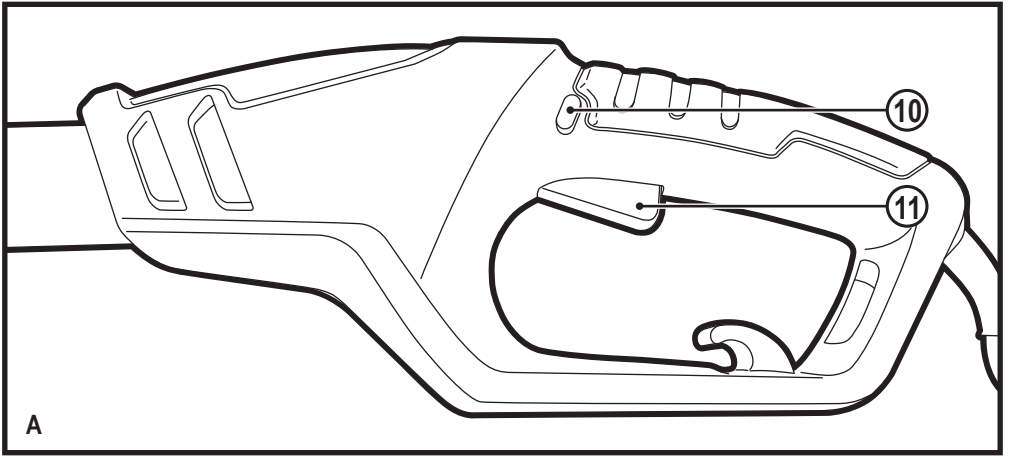
NO

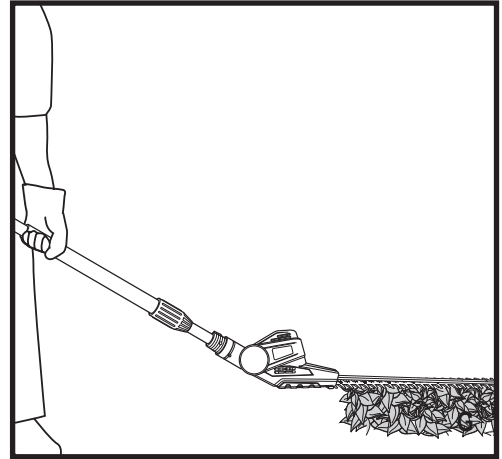
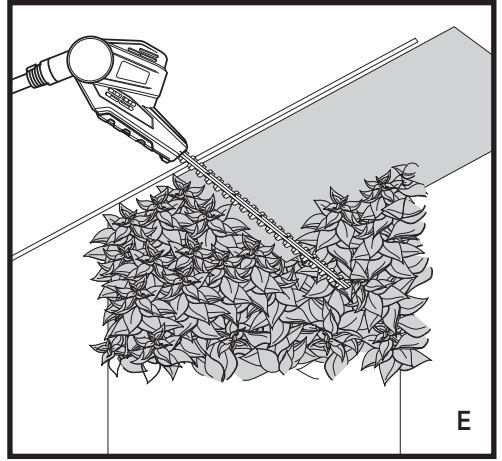
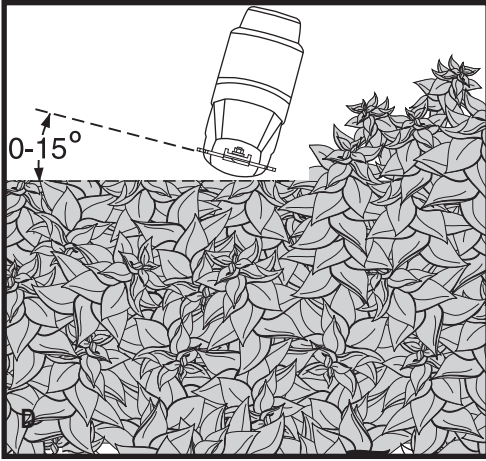
DK

FI

EL







## Intended use

Your PH5551 BLACK+DECKER pole hedge trimmer has been designed for trimming hedges, shrubs and brambles. This tool is intended for consumer use only.

## Safety instructions

### General power tool safety warnings



**Warning!** Read all safety warnings and all instructions. Failure to follow the warnings and instructions listed below may result in electric shock, fire and/or serious injury.

### Save all warnings and instructions for future reference.

The term "power tool" in the warnings refers to your mains operated (corded) power tool or battery operated (cordless) power tool.

#### 1. Work area safety

- a. **Keep work area clean and well lit.** Cluttered or dark areas invite accidents.
- b. **Do not operate power tools in explosive atmospheres, such as in the presence of flammable liquids, gases or dust.** Power tools create sparks which may ignite the dust or fumes.
- c. **Keep children and bystanders away while operating a power tool.** Distractions can cause you to lose control.

#### 2. Electrical safety

- a. **Power tool plugs must match the outlet. Never modify the plug in any way. Do not use any adapter plugs with earthed (grounded) power tools.** Unmodified plugs and matching outlets will reduce risk of electric shock.
- b. **Avoid body contact with earthed or grounded surfaces such as pipes, radiators, ranges and refrigerators.** There is an increased risk of electric shock if your body is earthed or grounded.
- c. **Do not expose power tools to rain or wet conditions.** Water entering a power tool will increase the risk of electric shock.
- d. **Do not abuse the cord. Never use the cord for carrying, pulling or unplugging the power tool. Keep cord away from heat, oil, sharp edges or moving parts.** Damaged or entangled cords increase the risk of electric shock.
- e. **When operating a power tool outdoors, use an extension cord suitable for outdoor use.** Use of a cord suitable for outdoor use reduces the risk of electric shock.
- f. **If operating a power tool in a damp location is unavoidable, use a residual current device (RCD) protected supply.**

Use of an RCD reduces the risk of electric shock.

#### 3. Personal safety

- a. **Stay alert, watch what you are doing and use common sense when operating a power tool. Do not use a power tool while you are tired or under the influence of drugs, alcohol or medication.** A moment of inattention while operating power tools may result in serious personal injury.
  - b. **Use personal protective equipment. Always wear eye protection.** Protective equipment such as dust mask, non-skid safety shoes, hard hat, or hearing protection used for appropriate conditions will reduce personal injuries.
  - c. **Prevent unintentional starting. Ensure the switch is in the off-position before connecting to power source and/or battery pack, picking up or carrying the tool.** Carrying power tools with your finger on the switch or energising power tools that have the switch on invites accidents.
  - d. **Remove any adjusting key or wrench before turning the power tool on.** A wrench or a key left attached to a rotating part of the power tool may result in personal injury.
  - e. **Do not overreach. Keep proper footing and balance at all times.** This enables better control of the power tool in unexpected situations.
  - f. **Dress properly. Do not wear loose clothing or jewellery. Keep your hair, clothing and gloves away from moving parts.** Loose clothes, jewellery or long hair can be caught in moving parts.
  - g. **If devices are provided for the connection of dust extraction and collection facilities, ensure these are connected and properly used.** Use of dust collection can reduce dust-related hazards.
- #### 4. Power tool use and care
- a. **Do not force the power tool. Use the correct power tool for your application.** The correct power tool will do the job better and safer at the rate for which it was designed.
  - b. **Do not use the power tool if the switch does not turn it on and off.** Any power tool that cannot be controlled with the switch is dangerous and must be repaired.
  - c. **Disconnect the plug from the power source and/or the battery pack from the power tool before making any adjustments, changing accessories, or storing power tools.** Such preventive safety measures reduce the risk of starting the power tool accidentally.
  - d. **Store idle power tools out of the reach of children and do not allow persons unfamiliar with the power tool or these instructions to operate the power tool.** Power tools are dangerous in the hands of untrained users.

- e. **Maintain power tools. Check for misalignment or binding of moving parts, breakage of parts and any other condition that may affect the power tools operation. If damaged, have the power tool repaired before use.** Many accidents are caused by poorly maintained power tools.
  - f. **Keep cutting tools sharp and clean.** Properly maintained cutting tools with sharp cutting edges are less likely to bind and are easier to control.
  - g. **Use the power tool, accessories and tool bits etc. in accordance with these instructions, taking into account the working conditions and the work to be performed.** Use of the power tool for operations different from those intended could result in a hazardous situation.
5. **Service**
- a. **Have your power tool serviced by a qualified repair person using only identical replacement parts.** This will ensure that the safety of the power tool is maintained.



**Warning! Additional safety warnings for pole hedge trimmers.**

The intended use is described in this instruction manual. Do not use the tool for purposes not intended; for example do not use the tool to fell trees. The use of any accessory or attachment or performance of any operation with this tool other than those recommended in this instruction manual may present a risk of personal injury.

- ◆ **Hold power tool by insulated gripping surfaces when performing an operation where the cutting tool may contact hidden wiring or its own cord.** Contact with a "live" wire will also make exposed metal parts of the power tool "live" and give the operator an electric shock.
- ◆ **Keep all parts of the body away from the cutter blade. Do not remove cut material or hold material to be cut when blades are moving.** Make sure the switch is off when clearing jammed material. A moment of inattention while operating the tool can result in serious personal injury.
- ◆ **Carry the hedge trimmer by the handle with the cutter blade stopped. When transporting or storing the hedge trimmer always fit the cutting device cover.** Proper handling of the hedge trimmer will reduce possible personal injury from the cutter blades.
- ◆ **Keep cable away from cutting area.** During operation the cable can be hidden in shrubs and can be accidentally cut by the blade.
- ◆ The intended use is described in this instruction manual. The use of any accessory or attachment or performance of any operation with this tool other than those recommended in this instruction manual can present a risk of personal injury and/or damage to property.

- ◆ Do not carry the tool with your hands on the front handle, switch or the trigger switch unless the tool has been disconnected from the power source.
- ◆ If you have not used a hedge trimmer before, preferably seek practical instruction by an experienced user in addition to studying this manual.
- ◆ Never touch the blades while the tool is running.
- ◆ Never attempt to force the blades to come to a standstill.
- ◆ Do not put the tool down until the blades have come to a complete standstill.
- ◆ Regularly check the blades for damage and wear. Do not use the tool when the blades are damaged.
- ◆ Take care to avoid hard objects (e.g. metal wire, railings) when trimming. Should you accidentally hit any such object, immediately switch the tool off and check for any damage.
- ◆ Should the tool start to vibrate abnormally, immediately switch it off and check for any damage.
- ◆ If the tool stalls, immediately switch it off. Disconnect from the power source before attempting to remove any obstructions.
- ◆ After use, place the blade sheath supplied over the blades. Store the tool, making sure that the blade is not exposed.
- ◆ Always ensure that all guards are fitted when using the tool. Never attempt to use an incomplete tool or a tool with unauthorised modifications.
- ◆ Never allow children to use the tool.
- ◆ Be aware of falling debris when cutting the higher slides of a hedge.
- ◆ Always hold the tool with both hands and by the handles provided.

### Safety of others

- ◆ Never allow children, persons with reduced physical, sensory or mental capabilities or lack of experience and knowledge or people unfamiliar with these instructions to use the machine, local regulations may restrict the age of the operator.
- ◆ Never operate the machine while people, especially children, or pets are nearby.

### Vibration

The declared vibration emission values stated in the technical data and the declaration of conformity have been measured in accordance with a standard test method provided by EN50636 and may be used for comparing one tool with another. The declared vibration emission value may also be used in a preliminary assessment of exposure.

**Warning!** The vibration emission value during actual use of the power tool can differ from the declared value depending on the ways in which the tool is used.

The vibration level may increase above the level stated. When assessing vibration exposure to determine safety measures required by 2002/44/EC to protect persons regularly using power tools in employment, an estimation of vibration exposure should consider, the actual conditions of use and the way the tool is used, including taking account of all parts of the operating cycle such as the times when the tool is switched off and when it is running idle in addition to the trigger time.

### Residual risks.

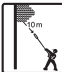


Additional residual risks may arise when using the tool which may not be included in the enclosed safety warnings. These risks can arise from misuse, prolonged use etc. Even with the application of the relevant safety regulations and the implementation of safety devices, certain residual risks can not be avoided. These include:

- ◆ Injuries caused by touching any rotating/moving parts.
- ◆ Injuries caused when changing any parts, blades or accessories.
- ◆ Injuries caused by prolonged use of a tool. When using any tool for prolonged periods ensure you take regular breaks.
- ◆ Impairment of hearing.
- ◆ Health hazards caused by breathing dust developed when using your tool (example:- working with wood, especially oak, beech and MDF.)

### Warning symbols

The following warning symbols along with the date code are shown on the tool:

	<b>Warning!</b> To reduce the risk of injury, the user must read the instruction manual.
	Do not use the tool in wet conditions or expose it to rain or high humidity.
	Always wear eye protection.
	Always wear ear protection.
	Wear non-slip safety footwear.
	Beware of falling objects.
	Keep bystanders away. Children must always remain in an area away from where the pole hedge trimmer is being used

	Electrocution hazard. Keep at least 10 m away from overhead lines.
	Disconnect from mains power immediately if power cord becomes damaged
	Directive 2000/14/EC guaranteed sound power.

### Electrical safety



This tool is double insulated; therefore no earth wire is required. Always check that the power supply corresponds to the voltage on the rating plate.

- ◆ If the supply cord is damaged, it must be replaced by the manufacturer or an authorised Black & Decker Service Centre in order to avoid a hazard.

### Using an extension cable

- ◆ Always use an approved extension cable suitable for the power input of this tool (see technical data). The extension cable must be suitable for outdoor use and marked accordingly. Up to 30 m of HO7RN-F 2 X 1.5 mm<sup>2</sup> extension cable can be used without loss of product performance. Before use, inspect the extension cable for signs of damage, wear and ageing. Replace the extension cable if damaged or defective. When using a cable reel, always unwind the cable completely.

### Voltage drops

- ◆ Under certain power supply conditions this product may cause short-time voltage drops during start-up.
- ◆ Other equipment may be affected. For example, electric lights may temporarily reduce in brightness.
- ◆ Contact the supply authority, if necessary, to determine that the impedance of the power supply is lower than 0.411 ohms. Disturbances are unlikely to occur under this condition.

### Guard against electric shock

- ◆ Prevent body contact with earthed or grounded surfaces (e.g. metal railings, lamp-posts etc.). Electric safety can be further improved by using a high-sensitivity (30 mA/30mS) Residual Current Device (RCD).

### Features

This tool includes some or all of the following features.

1. Hedge trimmer blade
2. Air vents
3. Lock-off angle adjustment button
4. Hedge trimmer head support
5. Locking sleeve (upper)
6. Pole extension
7. Locking sleeve (lower)
8. Harness
- 8a. Securing clip
9. Pole grip
10. Lock-off Button
11. On/Off switch
12. Main handle
13. Power cable
14. Cable strain reliever
15. Rear safe guard
16. Scabbard

## Assembly



**Warning!** Before assembly, make sure that the appliance is switched off and unplugged.



**Warning!** Always wear protective gloves when working with pole pruner.



**Warning!** This product must be fully assembled before operation. Do not use this product partially assembled or assembled with damaged parts.

- ◆ The pole pruner should be fully assembled within the package upon delivery.
- ◆ Remove the blade cover (17) from the blade (1) before operating.

## Switching on (Fig. A)

- ◆ Ensure that the pole pruner blade (1) does not touch any object.
- ◆ Press the lock off button (10) and hold it in position.
- ◆ Press the on/off switch (11) to switch the product on.

## Switching off

- ◆ Release the on/off switch (11).

**Warning!** Never attempt to lock a switch in the on position.

## Extending the pole pruner (Fig. B)

- ◆ Loosen the lower locking sleeve (7).
- ◆ Push the pole (9) and the pole extension (6) towards each other to retract, or away from each other to extend.
- ◆ Tighten the locking sleeve (7) once the desired length is achieved.

**Warning!** Periodically check the connections to ensure that they are tightened securely.

**Warning!** The length of the extension pole is limited. Stop pushing / pulling as soon as you feel resistance. Only extend to the length required to reach the hedges being trimmed. Do not attempt to use the product at a length which does not allow you to achieve proper footing and balance at all times.

## Angle adjustment (Fig. C)

- ◆ Depress the lock-off button (3) of the trimmer head whilst adjusting it.
- ◆ Ensure the lock-off button (3) snaps securely into place.

**Warning!** The head can be adjusted in five different positions. Always ensure the head is securely locked. Do not attempt to use the product with the head in any other position or unlocked.

## Use

**Warning!** Let the tool work at its own pace. Do not overload.

## Trimming (fig. D, E, F, G)

- ◆ Adjust the pole to the required length.
- ◆ Cut and remove branches exceeding the cutting capacity of this product using a hand pruner before operation.

**Note:** Jamming the blade on large branches can cause damage.

- ◆ Always hold the product firmly with both hands on the gripping surface and handle. Never operate this product using only one hand.

**Note:** Try to keep the blades angled at approximately 15° to the cutting surface (Fig D).

- ◆ Cut both sides from the bottom cutting upwards, this will prevent any of the cuttings falling into the path of the area still to be cut.
- ◆ After cutting the sides proceed to the top.
- ◆ When cutting wide hedges with the cutting area in sight move the cutting blade lightly through the cutting surface in a sweeping motion following the shape of the hedge or shrub. A slight tilt downwards of the cutting blade in the direction of motion is recommended for optimum cutting performance.
- ◆ Move the trimmer with slow motion forward when cutting an area out of sight.
- ◆ Do not rush and do not attempt to cut too much with one stroke of the cutting blade.
- ◆ Cut in a number of stages if the area being cut is particularly long to achieve a better result.
- ◆ In order to obtain a very straight cut, stretch a piece of string along the length of the hedge at the desired height. Use the string as a guideline, cutting just above it (Fig. E).
- ◆ In order to obtain flat sides, cut upwards with the growth. Younger stems move outwards when the blade cuts



downwards causing shallow patches in the hedge (Fig. E).

- ◆ Take care to avoid any foreign objects. Especially avoid hard objects such as metal wire and railings, as these could damage the blades.
- ◆ Regularly oil the blades.

### Guidelines for trimming (UK & Ireland)

- ◆ Trim hedges and shrubs with seasonal leaves (new leaves every year) in June and October.
- ◆ Trim evergreens in April and August.
- ◆ Trim conifers and other fast growing shrubs every six weeks from May until October.

### Guidelines for trimming (Australia & New Zealand)

- ◆ Trim hedges and shrubs with seasonal leaves (new leaves every year) in December and March.
- ◆ Trim evergreens in September and February.
- ◆ Trim conifers and other fast growing shrubs every six weeks from October until March.

### Cleaning, maintenance and storage

Your BLACK+DECKER corded/cordless appliance/tool has been designed to operate over a long period of time with a minimum of maintenance.

Continuous satisfactory operation depends upon proper tool care and regular cleaning.

**Warning!** Before performing any maintenance on corded/cordless power tools:

- ◆ Switch off and unplug the appliance/tool.
- ◆ Or switch off and remove the battery from the appliance/tool if the appliance/tool has a separate battery pack.
- ◆ Or run the battery down completely if it is integral and then switch off.

Regularly clean the ventilation slots in your appliance/tool/charger using a soft brush or dry cloth.

Regularly clean the motor housing using a damp cloth. Do not use any abrasive or solvent-based cleaner.

- ◆ Regularly clean the ventilation slots in your appliance/tool/charger using a soft brush or dry cloth.
- ◆ Regularly clean the motor housing using a damp cloth. Do not use any abrasive or solvent-based cleaner.

### After use and before storage

- ◆ Regularly clean the ventilation slots with a clean, dry paint brush.
- ◆ To clean the appliance/tool/charger, use only mild soap and a damp cloth. Never let any liquid get inside and never immerse any part into liquid.
- ◆ Remove debris using a hard brush.
- ◆ Lubricate the blade with oil.

### Mains plug replacement (U.K. & Ireland only)

If a new mains plug needs to be fitted:

- ◆ Safely dispose of the old plug.
- ◆ Connect the brown lead to the live terminal in the new plug.
- ◆ Connect the blue lead to the neutral terminal.

**Warning!** No connection is to be made to the earth terminal. Follow the fitting instructions supplied with good quality plugs. Recommended fuse: 5 A.

### Protecting the environment



Separate collection. Products and batteries marked with this symbol must not be disposed of with normal household waste.

Products and batteries contain materials that can be recovered or recycled reducing the demand for raw materials. Please recycle electrical products and batteries according to local provisions. Further information is available at [www.2helpU.com](http://www.2helpU.com).

### Technical data

		PH5551
Input Voltage	V <sub>ac</sub>	230
No-load speed	min <sup>-1</sup>	3300
Blade Length	mm	515
Blade brake time	s	<1
Weight	Kg	4.1

Level of sound pressure according to EN ISO 11680-1, EN ISO 3744:

Sound pressure (L<sub>PA</sub>) 90.3 dB(A), uncertainty (K) 2.5 dB(A)

Sound power (L<sub>WA</sub>) 100 dB(A), uncertainty (K) 2.5 dB(A)

Vibration total values (triax vector sum) according to EN 60745:

Cutting freshly felled softwood (a<sub>h, W</sub>) = 1.792 m/s<sup>2</sup>, uncertainty (K) 1.5 m/s<sup>2</sup>

### EC declaration of conformity MACHINERY DIRECTIVE



### PH5551 Pole hedge trimmer

Black & Decker declares that these products described under "technical data" are in compliance with:  
2006/42/EC and EN 60745-1:2009+A11,  
EN ISO 10517:2009+A1

Level of acoustic power according to 2000/14/EC

(Article 13, Annex III):

$L_{WA}$  (measured sound power) 97.2 dB(A)

Uncertainty = 2.5 dB(A)

$L_{WA}$  (guaranteed sound power) 100 dB(A)

These products also comply with Directive  
2004/108/EC (until 19/04/2016) 2014/30/EU (from 20/04/2016)  
and 2011/65/EU.

For more information, please contact Black & Decker at the  
following address or refer to the back of the manual.

The undersigned is responsible for compilation of the technical  
file and makes this declaration on behalf of Black & Decker.



R. Laverick  
Director of Engineering  
Black & Decker Europe, 210 Bath Road, Slough,  
Berkshire, SL1 3YD  
United Kingdom  
17/12/2015

## Garantie

Black & Decker is confident of the quality of its products and  
offers consumers a 24 month guarantee from the date  
of purchase. This guarantee is in addition to and in no way  
prejudices your statutory rights. The guarantee is valid within  
the territories of the Member States of the European Union  
and the European Free Trade Area.

To claim on the guarantee, the claim must be in accordance  
with Black&Decker Terms and Conditions and you will need to  
submit proof of purchase to the seller or an authorised repair  
agent. Terms and conditions of the Black&Decker 2 year  
guarantee and the location of your nearest authorised repair  
agent can be obtained on the Internet at [www.2helpU.com](http://www.2helpU.com), or  
by contacting your local Black & Decker office at the address  
indicated in this manual.

Please visit our website [www.blackanddecker.co.uk](http://www.blackanddecker.co.uk) to register  
your new Black & Decker product and receive updates on new  
products and special offers.

## Verwendungszweck

Ihre BLACK+DECKER Teleskop-Heckenschere PH5551 wur-  
de zum Beschneiden von Hecken, Büschen und Sträuchern  
entwickelt. Dieses Gerät ist nicht für den gewerblichen Einsatz  
vorgesehen.

## Sicherheitshinweise

### Allgemeine Sicherheitswarnungen für das Gerät



**Warnung!** Lesen Sie alle Sicherheitswarnhinwei-  
se und alle Anweisungen. Die Nichteinhaltung  
der folgenden Warnungen und Anweisungen  
kann einen elektrischen Schlag, Brand und/oder  
schwere Verletzungen verursachen.

**Bewahren Sie alle Sicherheitswarnungen und Anwei-  
sungen gut auf.** Der Begriff „Gerät“ bezieht sich auf netzbetrie-  
bene Geräte (mit Netzkabel) und auf akkubetriebene Geräte  
(ohne Netzkabel).

### 1. Sicherheit im Arbeitsbereich

- a. **Halten Sie Ihren Arbeitsbereich sauber und gut  
ausgeleuchtet.** Unaufgeräumte oder dunkle Bereiche  
begünstigen Unfälle.
- b. **Betreiben Sie das Gerät nicht in Umgebungen, in  
denen Explosionsgefahr z. B. aufgrund von  
brennbaren Flüssigkeiten, Gasen oder Staub besteht.**  
Geräte erzeugen Funken, die den Staub oder die Dämpfe  
entzünden können.
- c. **Halten Sie Kinder und andere Personen während der  
Benutzung eines Geräts fern.** Bei Ablenkung können  
Sie die Kontrolle verlieren.

### 2. Elektrische Sicherheit

- a. **Der Netzstecker des Geräts muss in die Steckdose  
passen. Ändern Sie niemals den Stecker in  
gründlicher Form. Verwenden Sie keinerlei  
Adapterstecker an geerdeten Elektrogeräten.**  
Unveränderte Stecker und passende Steckdosen mindern  
die Gefahr eines elektrischen Schlags.
- b. **Vermeiden Sie Körperkontakt mit geerdeten  
Oberflächen von Rohren, Heizungen, Herden und  
Kühlschränken.** Es besteht eine erhöhte Gefahr für einen  
elektrischen Schlag, wenn Ihr Körper geerdet ist.
- c. **Halten Sie Geräte von Regen und Nässe fern.** Das  
Eindringen von Wasser in ein Gerät erhöht das Risiko  
eines elektrischen Schlags.
- d. **Verwenden Sie das Kabel ordnungsgemäß.  
Verwenden Sie es niemals zum Tragen. Trennen Sie  
das Gerät nicht durch Ziehen am Kabel vom Netz.  
Halten Sie das Kabel fern von Hitze, Öl, scharfen  
Kanten oder beweglichen Teilen.**

Beschädigte oder verhedderte Kabel erhöhen die Gefahr eines elektrischen Schlags.

- e. **Wenn Sie mit einem Gerät im Freien arbeiten, verwenden Sie nur Verlängerungskabel, die für den Außenbereich zugelassen sind.**  
Die Verwendung eines für den Außenbereich geeigneten Verlängerungskabels verringert das Risiko eines elektrischen Schlags.
- f. **Wenn das Gerät in einer feuchten Umgebung verwendet werden muss, schließen Sie es unbedingt an eine Steckdose mit Fehlerstromschutzschalter (FI-Schalter) an.**  
Ein Fehlerstromschutzschalter verringert das Risiko eines elektrischen Schlags.
3. **Sicherheit von Personen**
- a. **Seien Sie aufmerksam, achten Sie darauf, was Sie tun, und gehen Sie sachgerecht mit einem Gerät um. Benutzen Sie kein Gerät, wenn Sie müde sind oder unter dem Einfluss von Drogen, Alkohol oder Medikamenten stehen.** Ein Moment der Unachtsamkeit beim Betrieb eines Geräts kann zu schweren Verletzungen führen.
- b. **Verwenden Sie eine geeignete Schutzausrüstung. Tragen Sie immer einen Augenschutz.** Das Tragen persönlicher Schutzausrüstung, wie Staubmaske, rutschfeste Sicherheitsschuhe, Schutzhelm oder Gehörschutz, je nach Art und Einsatz des Geräts, verringert das Risiko von Verletzungen.
- c. **Vermeiden Sie eine unbeabsichtigte Inbetriebnahme. Vergewissern Sie sich, dass das Gerät ausgeschaltet ist, bevor Sie es an eine Steckdose oder einen Akku anschließen, es hochheben oder tragen.** Wenn Sie beim Tragen des Geräts den Finger am Schalter haben oder das Gerät eingeschaltet an die Stromversorgung anschließen, kann dies zu Unfällen führen.
- d. **Entfernen Sie Einstell- oder Schraubenschlüssel, bevor Sie das Gerät einschalten.** Werkzeuge oder Schlüssel, die an rotierenden Teilen des Elektrogerätes angebracht sind, können zu Verletzungen führen.
- e. **Beugen Sie sich nicht zu weit nach vorne. Sorgen Sie für einen sicheren Stand und halten Sie jederzeit das Gleichgewicht.** Dadurch können Sie das Gerät in unerwarteten Situationen besser kontrollieren.
- f. **Tragen Sie geeignete Kleidung. Tragen Sie keine weite Kleidung und keinen Schmuck. Halten Sie Ihre Haare, Kleidung und Handschuhe von beweglichen Teilen fern.** Lose sitzende Kleidung, Schmuck oder lange Haare können sich in den beweglichen Teilen verfangen.
- g. **Falls Vorrichtungen zum Absaugen oder Auffangen von Staub vorhanden sind, vergewissern Sie sich, dass diese angeschlossen sind und richtig verwendet werden.**

Das Verwenden einer Staubauffangvorrichtung verringert Gefährdungen durch Staub.

4. **Gebrauch und Pflege von Geräten**
- a. **Überlasten Sie das Gerät nicht. Verwenden Sie das für Ihre Arbeit passende Gerät.** Das richtige Gerät wird die Aufgabe besser und sicherer erledigen, wenn es bestimmungsgemäß verwendet wird.
- b. **Verwenden Sie das Gerät nicht, wenn der Ein-/Ausschalter nicht funktioniert.** Ein Gerät, das sich nicht mehr ein- oder ausschalten lässt, ist gefährlich und muss repariert werden.
- c. **Ziehen Sie den Stecker aus der Steckdose, oder trennen Sie das Gerät vom Akku, bevor Sie Einstellungen vornehmen, Zubehörteile wechseln oder das Gerät lagern.** Diese Vorbeugemaßnahmen mindern die Gefahr, dass das Elektrogerät unbeabsichtigt startet.
- d. **Bewahren Sie unbenutzte Geräte außerhalb der Reichweite von Kindern auf. Lassen Sie Geräte nicht von Personen benutzen, die damit nicht vertraut sind oder diese Anweisungen nicht gelesen haben.** Geräte sind in den Händen nicht geschulter Personen gefährlich.
- e. **Halten Sie das Gerät in einem einwandfreien Zustand. Kontrollieren Sie, ob bewegliche Teile falsch ausgerichtet sind oder klemmen und ob Teile gebrochen oder so beschädigt sind, dass die Funktion des Geräts beeinträchtigt ist. Bei Beschädigungen lassen Sie das Gerät reparieren, bevor Sie es verwenden.** Viele Unfälle entstehen wegen mangelnder Wartung der Geräte.
- f. **Halten Sie Schneidgeräte scharf und sauber.** Richtig gewartete Schneidwerkzeuge mit scharfen Klingen blockieren seltener und sind leichter unter Kontrolle zu halten.
- g. **Verwenden Sie Gerät, Zubehör, Einsatz-Bits usw. entsprechend diesen Anweisungen und berücksichtigen Sie dabei die Arbeitsbedingungen und die auszuführende Arbeit.** Der Gebrauch von Geräten für andere als die vorgesehenen Zwecke kann zu gefährlichen Situationen führen.
5. **Service**
- a. **Lassen Sie das Gerät nur von qualifiziertem Fachpersonal und nur mit Originalersatzteilen reparieren.** Damit wird sichergestellt, dass die Sicherheit des Geräts erhalten bleibt.



**Warnung! Zusätzliche Sicherheitswarnungen für Teleskop-Heckenscheren**

Die bestimmungsgemäße Verwendung ist in dieser Betriebsanleitung beschrieben.

Verwenden Sie das Gerät nicht zweckentfremdet, z. B. zum Fällen von Bäumen. Bei Verwendung von Zubehör oder Anbauteilen, die nicht in dieser Anleitung empfohlen sind, sowie bei der Bedienung des Geräts in Abweichung von den in dieser Anleitung beschriebenen Verfahren besteht Verletzungsgefahr.

- ◆ Halten Sie das Elektrowerkzeug an den isolierten Griffflächen, wenn Arbeiten durchgeführt werden, bei denen das Schneidwerkzeug auf versteckte Kabel oder sein eigenes Kabel treffen könnte. Durch Kontakt mit einem spannungsführenden Draht werden auch freiliegende Metallteile des Elektrowerkzeugs spannungsführend, wodurch der Bediener einen Stromschlag bekommt.
- ◆ Halten Sie alle Körperteile von den Messern fern. Versuchen Sie nicht, Schnittmaterial zu entfernen oder festzuhalten, wenn die Messer in Bewegung sind. Stellen Sie sicher, dass der Schalter aus ist, wenn feststeckendes Material entfernt werden soll. Ein Moment der Unachtsamkeit beim Gebrauch des Geräts kann zu ernsthaften Verletzungen führen.
- ◆ Tragen Sie die Heckenschere stets mit angehaltenen Messern am Griff. Beim Transportieren oder Aufbewahren der Heckenschere muss immer die Messerabdeckung angebracht werden. Durch korrekten Umgang mit der Heckenschere reduzieren Sie mögliche Verletzungen durch die Messer.
- ◆ Halten Sie das Kabel von der Schneidzone fern. Während des Betriebs wird das Kabel möglicherweise von Zweigen verdeckt und kann unbeabsichtigt von den Messern beschädigt werden.
- ◆ Die bestimmungsgemäße Verwendung ist in dieser Betriebsanleitung beschrieben. Die Verwendung von Zubehör oder Anbauteilen oder die Durchführung von anderen Arbeiten als denjenigen, die in dieser Anleitung angegeben sind, können ein Risiko von Verletzungen bzw. Sachschäden bedeuten.
- ◆ Tragen Sie das Werkzeug nicht mit den Händen am vorderen Griff, am Schalter oder Auslöseschalter, wenn das Werkzeug nicht von der Stromquelle getrennt wurde.
- ◆ Wenn Sie noch nie mit einer Heckenschere gearbeitet haben, sollten Sie sich von einem erfahrenen Benutzer einweisen lassen und diese Anleitung besonders gründlich lesen.
- ◆ Berühren Sie niemals die Klingen, wenn sich das Gerät in Betrieb befindet.
- ◆ Versuchen Sie nie, die Messer mit Gewalt zum Stillstand zu bringen.
- ◆ Setzen Sie das Gerät erst ab, nachdem die Messer vollständig zum Stillstand gekommen sind.
- ◆ Überprüfen Sie die Messer regelmäßig auf Beschädigungen und Abnutzung.

**Verwenden Sie das Gerät nicht, wenn die Messer beschädigt sind.**

- ◆ Achten Sie bei der Arbeit auf harte Objekte (z. B. Metalldrähte oder Geländer). Sollten Sie versehentlich ein solches Objekt treffen, schalten Sie das Werkzeug sofort aus und überprüfen Sie es auf Schäden.
- ◆ Wenn das Gerät ungewöhnlich stark zu vibrieren beginnt, schalten Sie es aus und überprüfen Sie es auf Beschädigungen.
- ◆ Schalten Sie das Gerät unverzüglich aus, wenn es blockiert. Trennen Sie es von der Stromquelle, bevor Sie versuchen, Fremdkörper zu entfernen.
- ◆ Bringen Sie nach dem Gebrauch den mitgelieferten Messerschutz an. Lagern Sie das Gerät nicht mit ungeschützten Klingen.
- ◆ Stellen Sie bei Gebrauch stets sicher, dass alle Schutzvorrichtungen angebracht sind. Verwenden Sie auf keinen Fall ein unvollständiges Gerät bzw. ein Gerät, an dem unsachgemäße Änderungen vorgenommen wurden.
- ◆ Das Gerät darf auf keinen Fall von Kindern verwendet werden.
- ◆ Achten Sie beim Schneiden von höheren Heckenbereichen auf herabfallendes Schnittmaterial.
- ◆ Halten Sie das Gerät stets mit beiden Händen an den jeweiligen Griffen.

### Sicherheit anderer Personen

- ◆ Lassen Sie diese Maschine niemals von Personen mit eingeschränkter körperlicher, sensorischer oder geistiger Fähigkeiten oder mangelnder Erfahrung und Wissen in Bezug auf diese Anweisungen bedienen; örtliche Bestimmungen können das Alter des Benutzers einschränken.
- ◆ Es sollte stets ein Sicherheitsabstand zu anderen Personen, insbesondere Kindern, und Haustieren eingehalten werden.

### Vibration

Die in den Abschnitten „Technische Daten“ und „EU-Konformitätserklärung“ angegebenen Werte für die Vibrationsemission wurden mit einer Standard-Prüfmethode nach EN 50636 ermittelt und können zum Vergleich verschiedener Geräte herangezogen werden. Außerdem kann mit Hilfe dieses Werts die Belastung bei Verwendung des Geräts schon im Voraus eingeschätzt werden.

**Warnung!** Die bei Verwendung des Geräts auftretende Vibrationsemission hängt von der Art des Gerätegebrauchs ab und kann dementsprechend von dem angegebenen Wert abweichen. Gegebenenfalls kann die Vibration über dem angegebenen Wert liegen. Für die Ermittlung der Vibrationsbelastung müssen die tatsächlichen Einsatzbedingungen und Verwendungen des Geräts während des gesamten Arbeitsgangs berücksichtigt werden, einschließlich der Zeiten, wenn das Gerät nicht verwendet oder im Leerlauf betrieben

wird. Diese Werte werden benötigt, um die gemäß 2002/44/EG erforderlichen Sicherheitsmaßnahmen zum Schutz von Personen festlegen zu können.

### Restrisiken.






Beim Gebrauch dieses Geräts verbleiben zusätzliche Restrisiken, die möglicherweise nicht in den Sicherheitswarnungen genannt werden. Diese Risiken bestehen beispielsweise bei Missbrauch oder längerem Gebrauch.

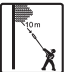


Auch bei der Einhaltung der entsprechenden Sicherheitsvorschriften und der Verwendung aller Sicherheitsgeräte bestehen weiterhin bestimmte Restrisiken. Diese sind:

- ◆ Verletzungen, die durch das Berühren von sich drehenden/bewegenden Teilen verursacht werden.
- ◆ Verletzungen, die durch das Austauschen von Teilen, Sägeblättern oder Zubehör verursacht werden.
- ◆ Verletzungen, die durch längeren Gebrauch eines Geräts verursacht werden. Legen Sie bei längerem Gebrauch regelmäßige Pausen ein.
- ◆ Beeinträchtigung des Gehörs.
- ◆ Gesundheitsrisiken durch das Einatmen von Staub beim Gebrauch des Geräts (beispielsweise bei Holzarbeiten, insbesondere Eiche, Buche und Pressspan).

### Warnsymbole

Folgende Warnsymbole sowie der Datumscode befinden sich auf dem Werkzeug:

	<b>Warnung!</b> Lesen Sie vor Gebrauch die Anleitung. Andernfalls besteht Verletzungsgefahr.
	Verwenden Sie das Gerät nicht in feuchten Umgebungen, und schützen Sie es vor Regen oder starker Feuchtigkeit.
	Tragen Sie immer einen Augenschutz.
	Tragen Sie stets einen Gehörschutz.
	Tragen Sie rutschfestes, sicheres Schuhwerk.
	Achten Sie auf herabfallende Gegenstände.
	Halten Sie Zuschauer aus dem Gefahrenbereich fern. Kinder müssen immer aus dem Bereich ferngehalten werden, in dem eine Teleskop-Heckenschere verwendet wird.

	Stromschlaggefahr. Halten Sie einen Abstand von mindestens 10 m zu frei verlegten Stromleitungen ein.
	Trennen Sie sofort die Stromversorgung, wenn das Netzkabel beschädigt ist.
	Garantierter Schalldruckpegel, gemessen nach Richtlinie 2000/14/EG.

### Elektrische Sicherheit



Dieses Gerät ist schutzisoliert, daher ist keine Erdleitung erforderlich. Überprüfen Sie immer, dass die Stromversorgung der Spannung auf dem Typenschild entspricht.

- ◆ Bei einer Beschädigung des Netzkabels muss dieses durch den Hersteller oder eine Black & Decker Vertragswerkstatt ausgetauscht werden, um mögliche Gefahren zu vermeiden.

### Verwenden eines Verlängerungskabels

- ◆ Verwenden Sie ausschließlich geprüfte Verlängerungskabel, die für die Leistungsaufnahme dieses Geräts ausgelegt sind (siehe „Technische Daten“). Das Verlängerungskabel muss für die Verwendung im Außenbereich geeignet und entsprechend gekennzeichnet sein. Es kann ein HO7RN-F 2 X-1.5 mm<sup>2</sup>-Verlängerungskabel von einer Länge von bis zu 30 m verwendet werden, ohne dass die Leistung des Geräts beeinträchtigt wird. Prüfen Sie vor der Inbetriebnahme das Netzkabel auf Verschleiß und Beschädigungen. Wechseln Sie beschädigte oder fehlerhafte Verlängerungskabel aus. Wenn Sie eine Kabeltrommel verwenden, wickeln Sie das Kabel vollständig ab.

### Spannungsabfälle

- ◆ Beim Starten dieses Gerätes kann es unter bestimmten Bedingungen der Stromversorgung zu kurzzeitigen Spannungsabfällen kommen.
- ◆ Davon können andere Geräte betroffen sein. Beispielsweise kann sich dies zeitweise auf die Intensität elektrischen Lichts auswirken.
- ◆ Wenden Sie sich falls erforderlich an Ihr Stromversorgungsunternehmen, um festzustellen, ob die Impedanz der Stromversorgung weniger als 0,411 Ohm beträgt. Unterhalb dieses Schwellwerts sind Störungen sehr unwahrscheinlich.

## Schutz vor einem Stromschlag

- ◆ Vermeiden Sie eine Berührung des Körpers mit geerdeten Gegenständen (z. B. Metallgeländer, Laternenpfähle usw.). Die elektrische Sicherheit lässt sich durch Verwendung eines Fehlerstromschutzschalters (30 mA/30 ms) erhöhen.

## Merkmale

Dieses Gerät verfügt über einige oder alle der folgenden Merkmale:

1. Heckentrimmermesser
2. Lüftöffnungen
3. Entriegelungsknopf für Winkeleinstellung
4. Stütze des Heckenscherenkopfes
5. Sicherungsmanschette (obere)
6. Stangenverlängerung
7. Sicherungsmanschette (untere)
8. Kabelzug
- 8a. Sicherungsclip
9. Stangengriff
10. Entriegelungsknopf
11. Ein-/Ausschalter
12. Haupthandgriff
13. Netzkabel
14. Kabelzugentlastung
15. Hintere Schutzvorrichtung
16. Messerschutz

## Montage



**Achtung!** Vergewissern Sie sich vor der Montage, dass das Gerät ausgeschaltet und von der Stromversorgung getrennt ist.



**Achtung!** Tragen Sie stets Schutzhandschuhe, wenn Sie mit der Astsäge arbeiten.



**Achtung!** Dieses Produkt muss vor dem Betrieb vollständig zusammengebaut werden. Verwenden Sie das Produkt nicht, wenn es nur teilweise zusammengebaut ist oder wenn beschädigte Teile angebracht sind.

- ◆ Die Astsäge ist bei Lieferung vollständig zusammengebaut.
- ◆ Entfernen Sie vor dem Betrieb die Messerabdeckung (17) vom Messer (1).

## Einschalten (Abb. A)

- ◆ Stellen Sie sicher, dass die Astsäge (1) keinen Gegenstand berührt.

- ◆ Drücken Sie den Entriegelungsknopf (10) und halten Sie ihn fest.
- ◆ Drücken Sie den Ein-/Ausschalter (11), um das Produkt einzuschalten.

## Ausschalten

- ◆ Lassen Sie den Ein-/Ausschalter (11) los.

**Warnung!** Versuchen Sie niemals, einen Schalter in seiner Einschaltstellung zu arretieren.

## Verlängern des Astsäge (Abb. B)

- ◆ Lösen Sie die untere Sicherungsmanschette (7).
- ◆ Schieben Sie Stange (9) und Stangenverlängerung (6) auf einander zu, um die Länge zu verringern, oder von einander weg, um sie zu erhöhen.
- ◆ Ziehen Sie die Sicherungsmanschette (7) bis zur gewünschten Länge.

**Warnung!** Überprüfen Sie die Verbindungen in regelmäßigen Abständen, um sicherzustellen, dass sie sicher und fest sitzen.

**Warnung!** Die Länge der Teleskopstange ist begrenzt. Schieben/ziehen Sie nur so weit, bis ein Widerstand zu spüren ist. Verlängern

Sie das Gerät nur soweit, wie es für die zu schneidende Hecke nötig ist. Versuchen Sie nicht, das Produkt mit einer Länge zu verwenden, bei der Sie nicht jederzeit einen sicheren Stand und Ihr Gleichgewicht haben.

## Winkeleinstellung (Abb. C)

- ◆ Drücken Sie beim Einstellen des Winkels den Entriegelungsknopf (3) am Trimmerkopf herein.
- ◆ Stellen Sie sicher, dass der Entriegelungsknopf (3) vollständig einrastet.

**Warnung!** Der Kopf kann in fünf verschiedene Positionen eingestellt werden. Stellen Sie immer sicher, dass sich der Kopf in der gesicherten Position befindet. Versuchen Sie nicht, das Produkt zu verwenden, wenn sich der Kopf in einer anderen Position befindet oder nicht gesichert ist.

## Verwendung

**Warnung!** Beschleunigen Sie den Arbeitsvorgang nicht mit Gewalt. Vermeiden Sie eine Überlastung.

## Heckenschneiden (Abb. D, E, F, G)

- ◆ Stellen Sie die Stange auf die benötigte Länge ein.
- ◆ Schneiden Sie Äste, die die Schneidkapazität dieses Geräts übersteigen, vor der Verwendung des Geräts mit einer Handsäge ab.

Hinweis: Wenn das Messer in dicken Ästen steckenbleibt, kann es zu Beschädigungen am Gerät kommen.

- ◆ Halten Sie das Produkt immer gut mit beiden Händen an der Grifffläche und dem Griff fest.



Betreiben Sie dieses Produkt keinesfalls nur mit einer Hand.

**Hinweis:** Versuchen Sie, die Messer in einem Winkel von etwa 15° zur Schneidfläche zu halten (Abb. D).

- ◆ Schneiden Sie beide Seiten von unten nach oben, das verhindert, dass Schnittgut in den noch zu schneidenden Bereich fällt.
- ◆ Machen Sie nach dem Schneiden der Seiten mit der Oberseite weiter.
- ◆ Beim Schneiden breiter Hecken, bei denen der Schneidbereich nicht gut sichtbar ist, bewegen Sie das Messer etwas im Schneidbereich hin und her, und folgen Sie dabei der Form der Hecke oder des Strauchs. Es wird ein in Bewegungsrichtung leicht nach unten geneigtes Messer empfohlen, um die beste Schneidleistung zu erreichen.
- ◆ Bewegen Sie das Gerät mit langsamen Bewegungen nach vorne, wenn der Schneidbereich nicht gut sichtbar ist.
- ◆ Arbeiten Sie nicht hektisch und versuchen Sie nicht, mit einer Bewegung des Messers zu viel Material auf einmal zu entfernen.
- ◆ Schneiden Sie in mehreren Arbeitsgängen, falls das Schnittmaterial besonders lang ist, damit Sie ein besseres Ergebnis erhalten.
- ◆ Für eine besonders gerade Schnittkante spannen Sie ein Stück Faden in der gewünschten Höhe an der Hecke entlang. Schneiden Sie direkt über der Richtschnur (Abb. E).
- ◆ Schneiden Sie für gerade Seiten aufwärts in Wachstumsrichtung. Jüngere Äste bewegen sich nach außen, wenn das Messer nach unten schneidet, was flache Stellen in der Hecke erzeugt (Abb. E).
- ◆ Achten Sie auf Fremdkörper. Vermeiden Sie besonders harte Gegenstände, wie Metalldraht oder Geländer, da diese die Messer beschädigen könnten.
- ◆ Ölen Sie die Messer regelmäßig.

### Tipps für den Beschnitt (Großbritannien und Irland)

- ◆ Beschneiden Sie Hecken und Sträucher, die im Winter ihre Blätter verlieren, im Juni und Oktober.
- ◆ Beschneiden Sie immergrüne Hecken und Sträucher im April und August.
- ◆ Beschneiden Sie Nadelhölzer und andere schnell wachsende Sträucher von Mai bis Oktober alle sechs Wochen.

### Tipps für den Beschnitt (Australien und Neuseeland)

- ◆ Beschneiden Sie Hecken und Sträucher, die im Winter ihre Blätter verlieren, im Dezember und März.
- ◆ Beschneiden Sie immergrüne Hecken und Sträucher im September und Februar.

- ◆ Beschneiden Sie Nadelhölzer und andere schnell wachsende Sträucher von Oktober bis März alle sechs Wochen.

### Reinigung, Wartung und Lagerung

Ihr BLACK+DECKER Gerät (mit und ohne Netzkabel) wurde im Hinblick auf eine lange Lebensdauer und einen möglichst geringen Wartungsaufwand entwickelt.

Ein kontinuierlicher, zufriedenstellender Betrieb hängt von der richtigen Pflege des Gerätes und seiner regelmäßigen Reinigung ab.

**Warnung!** Vor dem Ausführen jeglicher Wartungsarbeiten an Geräten mit und ohne Netzkabel:

- ◆ Schalten Sie das Gerät aus, und ziehen Sie den Netzstecker.
- ◆ Wenn das Gerät über einen separaten Akku verfügt, schalten Sie das Gerät ab und entfernen Sie ihn vom Gerät.
- ◆ Wenn das Gerät über einen separaten Akku verfügt, schalten Sie das Gerät ab und entfernen Sie ihn vom Gerät.

Reinigen Sie regelmäßig die Lüftungsschlitze des Gerätes und des Ladegeräts mit einer weichen Bürste oder einem trockenen Tuch.

Reinigen Sie das Motorgehäuse regelmäßig mit einem feuchten Tuch. Verwenden Sie keine scheuernden Reinigungsmittel oder Reinigungsmittel auf Lösungsmittelbasis.

- ◆ Reinigen Sie regelmäßig die Lüftungsschlitze des Gerätes und des Ladegeräts mit einer weichen Bürste oder einem trockenen Tuch.
- ◆ Reinigen Sie das Motorgehäuse regelmäßig mit einem feuchten Tuch. Verwenden Sie keine scheuernden Reinigungsmittel oder Reinigungsmittel auf Lösungsmittelbasis.

### Nach dem Gebrauch und vor der Aufbewahrung

- ◆ Reinigen Sie die Lüftungsschlitze regelmäßig mit einem sauberen, trockenen Pinsel.
- ◆ Reinigen Sie das Gerät/Ladegerät ausschließlich mit milder Seifenlösung und einem feuchten Tuch. Achten Sie darauf, dass keine Flüssigkeit in das Gerät gelangt. Tauchen Sie kein Teil des Geräts in Flüssigkeit ein.
- ◆ Entfernen Sie Schmutzablagerungen mit einer Hartbürste.
- ◆ Schmieren Sie die Kette mit Öl.

### Austauschen des Netzsteckers (nur Großbritannien und Irland)

Wenn ein neuer Netzstecker angebracht werden muss:

- ◆ Entsorgen Sie den alten Stecker auf sachgerechte Weise.
- ◆ Verbinden Sie die braune Leitung mit dem spannungsführenden Anschluss des Steckers.
- ◆ Verbinden Sie die blaue Leitung mit dem neutralen Anschluss.

**Warnung!** Stellen Sie keine Verbindung mit dem Erdungsanschluss her. Befolgen Sie die Montageanweisungen, die mit hochwertigen Steckern mitgeliefert werden. Empfohlene Sicherung: 5 A.

**Umweltschutz**



Getrennte Entsorgung. Produkte und Batterien, die mit diesem Symbol gekennzeichnet sind, dürfen nicht im normalen Hausmüll entsorgt werden.

Produkte und Batterien enthalten Materialien, die zurückgewonnen oder recycelt werden können und die Nachfrage nach Rohstoffen reduzieren.

Bitte recyceln Sie Elektroprodukte und Batterien gemäß den lokalen Bestimmungen. Weitere Informationen finden Sie auf [www.2helpU.com](http://www.2helpU.com).

**Technische Daten**

		PH5551
Eingangsspannung	$V_{AC}$	230
Leerlaufdrehzahl	Min. <sup>-1</sup>	3300
Messerlänge	mm	515
Messerbremszeit	s	<1
Gewicht	kg	4,1

<b>Schalldruckpegel gemäß EN ISO 11680-1, EN ISO 3744:</b>	
Schalldruck ( $L_{pA}$ )	90,3 dB(A), Unsicherheitsfaktor (K) 2,5 dB(A)
Schalleistung ( $L_{WA}$ )	100 dB(A), Unsicherheitsfaktor (K) 2,5 dB(A)

<b>Gesamtvibration (Triax-Vektorsumme) gemäß EN 60745:</b>	
Schneiden von frisch gefälltem Weichholz ( $a_{h,W}$ )	$= 1,792 \text{ m/s}^2$ , Unsicherheitsfaktor (K) $1,5 \text{ m/s}^2$

**EU-Konformitätserklärung**  
MASCHINENRICHTLINIE



**PH5551 Teleskop-Heckenschere**

Black & Decker erklärt, dass diese unter „Technische Daten“ beschriebenen Geräte übereinstimmen mit:

2006/42/EC und EN 60745-1:2009+A11,  
EN ISO 10517:2009+A1  
Schallpegel gemäß 2000/14/EG  
(Artikel 13, Anhang III):

LWA (gemessene Schalleistung) 97,2 dB(A)  
Unsicherheitsfaktor = 2,5 dB(A)  
LWA (garantierte Schalleistung) 100 dB(A)

Diese Produkte entsprechen außerdem der Richtlinie 2004/108/EC (bis 19/04/2016) 2014/30/EU (ab 20/04/2016) und 2011/65/EU.

Weitere Informationen erhalten Sie von Black & Decker unter der folgenden Adresse. Diese befindet sich auch auf der Rückseite dieser Anleitung.

Der Unterzeichnete ist verantwortlich für die Zusammenstellung der technischen Daten und gibt diese Erklärung im Namen von Black & Decker ab.

R. Laverick  
**Director of Engineering**  
Black & Decker Europe, 210 Bath Road, Slough,  
Berkshire, SL1 3YD  
Vereinigtes Königreich  
11.12.2015

**Garantie**

Black & Decker vertraut auf die Qualität der eigenen Geräte und bietet dem Käufer eine außergewöhnliche Garantie von 24 Monaten ab Kaufdatum. Diese Garantie versteht sich unbeschadet der gesetzlichen Gewährleistungsansprüche und schränkt diese keinesfalls ein. Diese Garantie gilt innerhalb der Staatsgebiete der Mitgliedstaaten der Europäischen Union und der Europäischen Freihandelszone.

Zur Inanspruchnahme dieser Garantie muss sie den allgemeinen Geschäftsbedingungen von Black&Decker entsprechen und dem Verkäufer bzw. der Vertragswerkstatt ist ein Kaufnachweis vorzulegen. Die Bedingungen für die 2-jährige Garantie von Black&Decker und den Standort Ihrer nächstgelegenen Vertragswerkstatt finden Sie im Internet unter [www.2helpU.com](http://www.2helpU.com) oder indem Sie sich an die lokale Black&Decker-Niederlassung wenden, deren Adresse Sie in dieser Anleitung finden.

Ihr neues Black & Decker Produkt können Sie auf unserer Website unter [www.blackanddecker.de](http://www.blackanddecker.de) registrieren. Dort erhalten Sie auch Informationen über neue Produkte und Sonderangebote.



## Utilisation prévue

Votre taille-haie à perche BLACK+DECKER PH5551 a été conçu pour tailler les haies, les arbustes et les ronces. Cet outil est destiné à un usage grand public uniquement.

## Consignes de sécurité

### Consignes de sécurité concernant les outils électriques



**Avertissement !** Lisez tous les avertissements et toutes les consignes de sécurité. Le non-respect des avertissements et des instructions listés ci-dessous peut entraîner des chocs électriques, des incendies et/ou de graves blessures.

**Conservez tous les avertissements et toutes les instructions afin de pouvoir vous y référer dans le futur.** Le terme «outil électrique» mentionné dans tous les avertissements listés ci-dessous fait référence à vos outils électriques fonctionnant sur secteur (avec câble) ou sur pile ou batterie (sans fil).

1. **Sécurité de la zone de travail**
  - a. **Maintenez la zone de travail propre et bien éclairée.** Les zones sombres ou encombrées sont propices aux accidents.
  - b. **N'utilisez pas d'outils électriques dans un environnement présentant des risques d'explosion ou en présence de liquides, gaz ou poussières inflammables.** Les outils électriques créent des étincelles qui peuvent enflammer les poussières et les fumées.
  - c. **Maintenez les enfants et autres personnes éloignés lorsque les outils électriques sont en marche.** Toute distraction peut vous faire perdre le contrôle de l'outil.
2. **Sécurité électrique**
  - a. **Les prises des outils électriques doivent correspondre à la prise de courant murale. Ne modifiez jamais la prise d'aucune sorte. N'utilisez aucun adaptateur avec des outils électriques reliés à la terre.** L'utilisation de prises d'origine et de prises murales appropriées permet de réduire le risque de choc électrique.
  - b. **Évitez tout contact physique avec des surfaces reliées à la terre comme des tuyaux, des radiateurs, des fours et des réfrigérateurs par exemple.** Le risque de choc électrique augmente si votre corps est relié à la terre.
  - c. **N'exposez pas les outils électriques à la pluie, ni à l'humidité.** Le risque de choc électrique augmente si de l'eau pénètre dans un outil électrique.
3. **Sécurité personnelle**
  - a. **Restez vigilant, surveillez ce que vous faites et faites preuve de bon sens lorsque vous utilisez un outil électrique. N'utilisez pas d'outils électriques si vous êtes fatigué ou sous l'influence de drogue, d'alcool ou de médicaments.** Tout moment d'inattention pendant l'utilisation d'un outil électrique peut engendrer de graves blessures.
  - b. **Portez des équipements de protection individuelle. Portez toujours une protection oculaire.** Les équipements de protection comme les masques à poussière, les chaussures de sécurité antidérapantes, les casques ou les protections auditives utilisés à bon escient réduisent le risque de blessures.
  - c. **Empêchez tout démarrage par inadvertance. Assurez-vous que l'interrupteur est en position Arrêt avant de raccorder l'outil à l'alimentation électrique et/ou au bloc-batterie ou avant de ramasser ou de transporter l'outil.** Le fait de transporter les outils électriques le doigt sur l'interrupteur ou d'alimenter les outils électriques dont l'interrupteur est déjà en position de marche augmente les accidents.
  - d. **Retirez toutes les clés ou pinces de réglage avant de mettre l'outil en marche.** Une clé ou une pince restée fixée à la partie rotative de l'outil électrique peut engendrer des blessures.
  - e. **Ne présumez pas de vos forces. Gardez les pieds bien ancrés au sol et conservez votre équilibre en permanence.** Cela permet de mieux maîtriser l'outil électrique en cas de situations imprévues.
  - f. **Portez des vêtements appropriés. Ne portez aucun vêtement ample ou bijou. Gardez vos cheveux, vos vêtements et vos gants éloignés des pièces mobiles.** Les vêtements amples, les bijoux ou les cheveux longs peuvent être happés par les pièces mobiles.
- d. **Ne tirez pas sur le cordon d'alimentation. N'utilisez jamais le cordon pour transporter, tirer ou débrancher l'outil électrique. Maintenez le cordon éloigné de la chaleur, des substances grasses, des bords tranchants ou des pièces mobiles.** Les cordons endommagés ou emmêlés augmentent le risque de choc électrique.
- e. **Si vous utilisez un outil électrique à l'extérieur, utilisez une rallonge homologuée pour les travaux extérieurs.** L'utilisation d'un cordon adapté pour l'extérieur réduit le risque de choc électrique.
- f. **Si l'utilisation d'un outil électrique dans un endroit humide est inévitable, utilisez une alimentation électrique protégée par un disjoncteur différentiel.** L'utilisation d'un disjoncteur différentiel réduit le risque de choc électrique.

- g. **Si des dispositifs pour l'extraction des poussières ou des installations pour la récupération sont présents, assurez-vous qu'ils sont correctement raccordés et utilisés.** L'utilisation de dispositifs récupérateurs de poussières réduit les risques liés aux poussières.

#### 4. Utilisation et entretien des outils électriques

- a. **Ne forcez pas sur l'outil électrique. Utilisez le bon outil adapté pour votre intervention.** Un outil adapté fonctionne mieux, de façon plus sûre et à la cadence pour laquelle il a été conçu.
- b. **N'utilisez pas l'outil électrique si son interrupteur Marche/Arrêt est défectueux.** Tout appareil électrique qui ne peut plus être commandé par son interrupteur est dangereux et doit être réparé.
- c. **Débranchez la prise du secteur et/ou le bloc-batterie de l'outil électrique avant d'effectuer tout réglage, de changer un accessoire ou de ranger l'outil électrique.** Ces mesures de sécurité préventives réduisent le risque de démarrage accidentel de l'outil électrique.
- d. **Rangez les outils électriques non utilisés hors de portée des enfants et ne laissez aucune personne ne connaissant pas ces outils ou leurs instructions d'utilisation les faire fonctionner.** Les outils électriques peuvent être dangereux entre des mains inexpérimentées.
- e. **Entretenez vos outils électriques. Vérifiez que les pièces mobiles sont alignées correctement et qu'elles ne sont pas coincées. Vérifiez qu'il n'y a pas de pièces cassées ou toute autre condition qui pourrait nuire au bon fonctionnement de l'outil. En cas de dommage, faites réparer l'outil électrique avant utilisation.** De nombreux accidents sont provoqués par des outils électriques mal entretenus.
- f. **Maintenez les organes de coupe affûtés et propres.** Des organes de coupe bien entretenus et affûtés sont moins susceptibles de rester coincés et sont plus faciles à contrôler.
- g. **Utilisez les outils électriques, les accessoires et les embouts d'outil conformément à ces instructions, en tenant compte des conditions de travail, ainsi que du travail à effectuer.** L'utilisation d'un outil électrique à des fins autres que celles pour lesquelles il a été prévu engendre des situations dangereuses.

#### 5. Réparation

- a. **Faites réparer votre outil électrique par une personne qualifiée, n'utilisant que des pièces de rechange d'origine.** Cela permet de garantir la sûreté de l'outil électrique.

L'usage prévu est décrit dans ce manuel d'instructions.

N'utilisez pas l'outil à d'autres fins que celles pour lesquelles il est conçu ; par exemple, n'utilisez pas l'outil pour abattre des arbres. L'utilisation d'accessoires ou la réalisation de travaux avec cet outil autres que ceux recommandés dans le présent manuel pourrait entraîner un risque de blessure.

- ◆ **Tenez l'outil électrique par ses surface de préhension isolées lorsque vous réalisez des opérations pendant lesquelles l'outil peut entrer en contact avec des fils cachés ou son propre cordon. Tout contact avec un fil sous tension met sous tension les pièces métalliques exposées de l'outil et peut provoquer un choc électrique à l'opérateur.**
- ◆ **Gardez toutes les parties de votre corps éloignées de la lame de coupe. Ne cherchez pas à retirer la pièce découpée ou à tenir la pièce à couper quand les lames son en mouvement. Assurez-vous que l'interrupteur est en position Arrêt lorsque vous éliminez un bourrage. Tout moment d'inattention pendant l'utilisation de l'outil peut entraîner de graves blessures.**
- ◆ **Portez le taille-haie par sa poignée quand la lame est complètement arrêtée. Pour le transport ou le rangement du taille-haie, installez toujours le cache-lame. Une bonne manipulation du taille-haie réduit les blessures possible dues aux lames.**
- ◆ **Éloignez le câble des zones de coupe. Pendant l'utilisation, le câble peut être caché par des arbustes et il risque d'être accidentellement coupé par la lame.**
- ◆ **L'utilisation prévue est décrite dans ce manuel d'utilisation. L'utilisation de tout accessoire ou la réalisation de toute opération autres que ceux recommandés dans ce manuel d'utilisation présentent un risque de blessures et/ou de dégâts matériels.**
- ◆ **Ne portez pas l'outil, la main sur la poignée avant, sur l'interrupteur ou sur la gâchette, sans que l'outil soit débranché de l'alimentation électrique.**
- ◆ **Si vous n'avez jamais utilisé de taille-haie auparavant, demandez des conseils pratiques auprès d'un utilisateur expérimenté, en plus de consulter ce manuel.**
- ◆ **Ne touchez jamais les lames quand l'outil est en marche.**
- ◆ **Ne forcez jamais les lames à s'arrêter.**
- ◆ **Ne posez pas l'outil tant que les lames ne sont pas parfaitement immobiles.**
- ◆ **Contrôlez régulièrement l'absence de dommage et d'usure sur les lames. N'utilisez pas l'outil si les lames sont endommagées.**
- ◆ **Prenez soin d'éviter les objets durs (ex : fils métalliques, rails) pendant la taille. Si vous entrez accidentellement en contact avec ce type d'objets, éteignez immédiatement l'outil et contrôlez l'absence de dommage.**



**Avertissement ! Consignes de sécurité supplémentaires pour les tailles-haies.**

- ◆ Si l'outil se met à vibrer anormalement, **éteignez-le immédiatement et contrôlez l'absence de dommage.**
- ◆ Si l'outil cale, **éteignez-le immédiatement. Débranchez-le de la source d'alimentation électrique avant d'essayer d'éliminer le bourrage.**
- ◆ Après utilisation, **placez le cache-lame fourni sur les lames. Rangez l'outil en prenant soin de ne pas laisser la lame apparente.**
- ◆ **Assurez-vous toujours que toutes les protections sont installées pour utiliser l'outil. N'essayez jamais d'utiliser un outil incomplet ou un outil ayant subi des modifications non autorisées.**
- ◆ **Ne laissez jamais les enfants utiliser l'outil.**
- ◆ **Faites attention à la chute de débris lorsque vous taillez la partie haute d'une haie.**
- ◆ **Tenez toujours l'outil à deux mains et par les poignées prévues à cet effet.**

### Sécurité des personnes

- ◆ Ne laissez jamais les enfants, les personnes aux capacités physiques sensorielles ou mentales déficientes ou manquant d'expérience ou de connaissances ou les personnes non familiarisées avec ces instructions, utiliser la machine. La réglementation locale peut limiter l'âge de l'utilisateur.
- ◆ Ne faites jamais fonctionner la machine, si des personnes, surtout des enfants ou des animaux, sont présents.

### Vibrations

La valeur des émissions de vibrations déclarée dans les caractéristiques techniques et la déclaration de conformité a été mesurée conformément à la méthode de test normalisée établie par la norme EN50636 et peut être utilisée pour comparer un outil à un autre. La valeur des émissions de vibrations déclarée peut aussi être utilisée pour une évaluation préliminaire de l'exposition.

**Avertissement !** En fonction de la manière dont l'outil est utilisé, la valeur des émissions de vibrations réelles pendant l'utilisation de l'outil peut différer de la valeur déclarée. Le niveau des vibrations peut dépasser le niveau déclaré. Quand l'exposition aux vibrations est évaluée afin de déterminer les mesures de sécurité requises par la norme 2002/44/CE pour protéger les personnes utilisant régulièrement des outils électriques, cette estimation doit tenir compte des conditions réelles d'utilisation et de la façon dont l'outil est utilisé. Il faut également tenir compte de toutes les composantes du cycle de fonctionnement comme la durée pendant laquelle l'outil est arrêté et quand il fonctionne au ralenti, ainsi que la durée du déclenchement.

### Risques résiduels.

Certains risques résiduels autres que ceux mentionnés dans les avertissements sur la sécurité peuvent survenir en utilisant l'outil. Ces risques peuvent être provoqués par une utilisation incorrecte, prolongée, etc...

Malgré l'application des normes de sécurité pertinentes et la présence de dispositifs de sécurité, certains risques résiduels ne peuvent pas être évités. Ils comprennent :

- ◆ Les blessures dues au contact avec une pièce rotative/mobile.
- ◆ Les blessures dues au remplacement de pièces, lames ou accessoires.
- ◆ Les blessures dues à l'utilisation prolongée d'un outil. Lorsque l'outil est utilisé pendant de longues périodes, assurez-vous de faire des pauses régulières.
- ◆ La perte de l'outil.
- ◆ Les risques sanitaires dus à l'inhalation de poussières émises pendant l'utilisation de l'outil (exemple : travail avec du bois, surtout le chêne, le hêtre et les panneaux en MDF).

### Symboles d'avertissement

Les symboles d'avertissement suivants ainsi que le code date sont apposés sur l'outil :



**Avertissement !** Pour réduire le risque de blessures, l'utilisateur doit lire le manuel d'instructions.



N'utilisez pas l'outil dans un environnement humide, ne l'exposez pas à la pluie et à une forte humidité.



Portez toujours une protection oculaire.



Portez toujours des protections auditives.



Portez des chaussures de sécurité antidérapantes.



Faites attention aux chutes d'objets.



Gardez à distance les éventuelles personnes alentour. Les enfants doivent toujours rester éloignés de la zone dans laquelle la taille-haie est utilisé



Risque d'électrocution. Gardez une distance d'au moins 10 m avec les lignes aériennes.



Débranchez immédiatement l'outil du secteur si le cordon d'alimentation est endommagé



Puissance sonore garantie conforme à la Directive 2000/14/CE.

## Sécurité électrique



Cet outil est doublement isolé et ne nécessite donc aucun fil de terre. Vérifiez toujours que l'alimentation électrique correspond à la tension indiquée sur la plaque signalétique.

- ◆ Si le câble d'alimentation est endommagé, il doit être remplacé par le fabricant ou par un centre de réparation agréé Black & Decker afin d'éviter tout risque.

## Utilisation d'une rallonge

- ◆ Utilisez toujours une rallonge homologuée et adaptée à la puissance absorbée de cet outil (voir les données techniques). La rallonge doit être homologuée pour une utilisation en extérieur et marquée en conséquence. Une rallonge Black & Decker HO7RN-F 2 de 1,5 mm<sup>2</sup> allant jusqu'à 30 m peut être utilisée tout en maintenant les performances de l'appareil. Avant d'utiliser la rallonge, assurez-vous qu'elle est en bon état et qu'elle ne présente aucun signe d'usure ou de vieillissement. Remplacez la rallonge si elle est en mauvais état. Lorsque vous utilisez un enrouleur de câble, déroulez toujours le câble complètement.

## Chutes de tension

- ◆ Sous certaines conditions d'alimentation, ce produit peut provoquer des chutes de tension au démarrage.
- ◆ D'autres équipements peuvent en être affectés. Par exemple, l'éclairage électrique peut temporairement perdre de la puissance.
- ◆ Le cas échéant, contactez votre fournisseur et distributeur en électricité, pour déterminer si l'impédance de l'alimentation est inférieure à 0,411 ohms. Il est peu probable que des perturbations se produisent dans cette condition.

## Protégez-vous contre les chocs électriques

- ◆ Évitez de toucher des surfaces reliées à la terre (par exemple, les grillages métalliques, les lampadaires, etc.). La sécurité électrique peut être améliorée en utilisant un disjoncteur différentiel à haute sensibilité de (30 mA/30mS).

## Caractéristiques

Cet outil dispose de tout ou partie des caractéristiques suivantes.

1. Lame de la taille-haie
2. Orifices de ventilation
3. Bouton de réglage du verrouillage de l'angle
4. Porte-tête du taille-haie
5. Manchon de verrouillage (supérieur)
6. Rallonge de la perche
7. Manchon de verrouillage (inférieur)
8. Harnais
- 8a. Clip de fixation
9. Poignée de la perche
10. Bouton de déverrouillage
11. Interrupteur marche/arrêt
12. Poignée principale
13. Câble électrique
14. Dispositif anti-étirement du câble
15. Protection arrière
16. Fourreau

## Assemblage



**Avertissement** ! Avant l'assemblage, assurez-vous que l'outil est éteint et débranché.



**Avertissement** ! Portez toujours des gants de protection lorsque vous utilisez la perche d'élagage.



**Avertissement** ! Ce produit doit être complètement assemblé avant d'être utilisé. N'utilisez pas ce produit s'il n'est que partiellement assemblé ou assemblé avec des pièces endommagées.

- ◆ La perche d'élagage est normalement complètement assemblée dans l'emballage à la livraison.
- ◆ Retirez le cache-lame (17) de la lame (1) avant l'utilisation.

## Mise en marche (Fig. A)

- ◆ Assurez-vous que la lame de la perche d'élagage (1) ne touche aucun objet.
- ◆ Appuyez sur le bouton de déverrouillage (10) et maintenez-le en position.
- ◆ Appuyez sur l'interrupteur Marche/Arrêt (11) pour mettre l'outil en marche.

## Extinction

- ◆ Relâchez l'interrupteur Marche/Arrêt (11).

**Avertissement** ! N'essayez jamais de bloquer l'interrupteur en position marche.

### Extension de la perche d'élagage (Fig. B)

- ◆ Desserrez le manchon de verrouillage inférieur (7).
- ◆ Poussez la perche (9) et la rallonge de la perche (6) l'un vers l'autre pour raccourcir la perche et l'un loin de l'autre pour l'agrandir.
- ◆ Serrez le manchon de verrouillage (7) une fois la longueur voulue atteinte.

Avertissement ! Vérifiez régulièrement le bon serrage des raccords.

Avertissement ! La longueur de la perche à rallonge est limitée. Arrêtez de pousser ou de tirer dès que vous sentez une résistance. N'étendez la perche que de la longueur nécessaire pour atteindre les haies devant être taillées. Ne tentez pas d'utiliser l'outil à une longueur qui ne vous permet pas de garder un bon ancrage au sol et votre équilibre en permanence.

### Réglage de l'inclinaison (Fig. C)

- ◆ Enfoncez le bouton de déverrouillage (3) de la tête de taille tout en la réglant.
- ◆ Assurez-vous que le bouton de déverrouillage (3) s'enclenche fermement en place.

Avertissement ! La tête peut être réglée en cinq positions différentes. Assurez-vous que la tête est bien verrouillée. Ne tentez pas d'utiliser ce produit si la tête est dans une autre position ou déverrouillée.

### Utilisation

**Avertissement !** Laissez l'outil fonctionner à son propre rythme. Ne le poussez pas au-delà de sa limite.

### Taille (fig. D, E, F, G)

- ◆ Réglez la perche à la longueur voulue.
- ◆ Coupez et retirez les branches dépassant la capacité de coupe de ce produit à l'aide d'un sécateur à main avant utilisation.

Remarque : Le blocage de la lame sur de grosses branches peuvent provoquer des dommages.

- ◆ Tenez toujours le produit fermement à deux mains par sa surface de préhension et la poignée. Ne faites jamais fonctionner ce produit d'une seule main.

Remarque : Essayez de garder les lames à un angle approximatif de 15° par rapport à la surface à tailler (Fig. D).

- ◆ Coupez les deux côtés du bas vers le haut, ceci évite que les chutes ne tombent dans une zone non encore taillée.
- ◆ Après avoir taillé les côtés, attaquez-vous au sommet.

- ◆ Lorsque vous taillez de larges haies, en gardant la zone de coupe en vue, déplacez la lame légèrement dans un mouvement de balayage, tout en suivant la forme de la haie ou de l'arbuste. Une légère inclinaison de la lame vers le bas dans le sens du mouvement est recommandé pour obtenir de meilleurs résultats.
- ◆ Déplacez la taille-haie en mouvements lents vers l'avant lorsque la zone à couper est hors de vue.
- ◆ Ne vous précipitez pas et ne tentez pas de trop tailler en un passage de lame.
- ◆ Taillez par étapes pour obtenir de meilleurs résultats, si la zone est particulièrement longue.
- ◆ Pour que la taille soit droite, tendez un bout de cordeau sur la longueur de la haie à la hauteur voulue. Utilisez le cordeau comme guide et coupez juste au-dessus (Fig. E).
- ◆ Pour obtenir des côtés droits, coupez dans le sens de la pousse. Les plus jeunes tiges se déplacent vers l'extérieur lorsque la lame coupe vers le bas, ce qui provoque de petites imperfections dans la haie (Fig. E).
- ◆ Prenez soin d'éviter tout corps étranger. Évitez tout particulièrement les objets durs comme les fils métalliques et les rails qui pourraient endommager les lames.
- ◆ Graissez régulièrement les lames.

### Consignes pour la taille (Royaume-Uni et Irlande)

- ◆ Taillez les haies et les arbustes à feuilles caduques (nouvelles feuilles chaque année) en juin et en octobre.
- ◆ Taillez les persistants en avril et en août.
- ◆ Taillez les conifères et autres arbustes à pousse rapide toutes les six semaines de mai à octobre.

### Consignes pour la taille (Australie et Nouvelle-Zélande)

- ◆ Taillez les haies et les arbustes à feuilles caduques (nouvelles feuilles chaque année) en décembre et en mars.
- ◆ Taillez les persistants en septembre et février.
- ◆ Taillez les conifères et autres arbustes à pousse rapide toutes les six semaines d'octobre à mars.

### Nettoyage, entretien et entreposage

Votre appareil/outil sans fil/avec fil BLACK+DECKER a été conçu pour fonctionner pendant longtemps avec un minimum d'entretien.

Le fonctionnement continu et satisfaisant de l'outil dépend d'un entretien adéquat et d'un nettoyage régulier.

**Avertissement !** Avant toute intervention de maintenance sur des outils électriques avec ou sans fil :

- ◆ Éteignez l'appareil/l'outil et débranchez-le.

- ◆ Ou, éteignez l'appareil/l'outil et retirez en la batterie si celui-ci est muni d'un bloc-batterie séparé.
- ◆ Ou, déchargez complètement la batterie si elle est intégrée, puis éteignez l'appareil.

Nettoyez régulièrement les orifices de ventilation de votre appareil/outil/chargeur à l'aide d'une brosse souple ou d'un chiffon sec.

Nettoyez régulièrement le carter moteur à l'aide d'un chiffon humide. N'utilisez pas de détergents abrasifs ou à base de solvants.

- ◆ Nettoyez régulièrement les fentes d'aération de votre appareil/outil/chargeur à l'aide d'une brosse souple ou d'un chiffon sec.
- ◆ Nettoyez régulièrement le carter moteur à l'aide d'un chiffon humide. N'utilisez pas de détergents abrasifs ou à base de solvants.

#### Après utilisation et avant le remisage

- ◆ Nettoyez régulièrement les orifices de ventilation à l'aide d'une brosse sèche et propre.
- ◆ Pour nettoyer l'appareil/l'outil/le chargeur, utilisez exclusivement du savon doux et un chiffon humide. Empêchez toute pénétration de liquide à l'intérieur de l'outil et n'immergez aucune partie de celui-ci dans du liquide.
- ◆ Retirez les débris avec une brosse dure.
- ◆ Graissez la lame avec de l'huile.

#### Remplacement de la prise secteur (RU et Irlande uniquement)

Si une nouvelle prise d'alimentation doit être montée :

- ◆ Jetez l'ancienne prise de façon sûre.
- ◆ Raccordez le fil marron à la borne de phase de la nouvelle prise.
- ◆ Raccordez le fil bleu à la borne du neutre.

**Avertissement !** Aucun branchement ne doit être fait à la borne de terre. Suivez les instructions d'installation fournies avec les prises de bonne qualité. Fusible recommandé : 5 A.

#### Protection de l'environnement



Tri sélectif. Les produits et batteries marqués de ce symbole ne doivent pas être jetés avec les déchets ménagers.

Les produits et batteries contiennent des matières qui peuvent être récupérées et recyclées afin de réduire la demande en matières premières.

Veillez recycler les produits électriques et les batteries conformément aux dispositions locales en vigueur. Plus d'informations sont disponibles sur le site [www.2helpU.com](http://www.2helpU.com).

#### Données techniques

		PH5551
Tension d'entrée	V <sub>ca</sub>	230
Vitesse à vide	min <sup>-1</sup>	3300
Longueur de la lame	mm	515
Temps de freinage de la lame	s	<1
Poids	Kg	4,1

Niveau de pression sonore selon la norme EN ISO 11680-1, EN ISO 3744 :

Pression sonore (L<sub>pa</sub>) 90,3 dB(A), incertitude (K) 2,5 dB(A)

Puissance sonore (L<sub>WA</sub>) 100 dB(A), incertitude (K) 2,5 dB(A)

Valeurs totales des vibrations (somme vectorielle triaxiale) selon la norme EN 60745 :

Coupe d'arbre tendre fraîchement coupé (a<sub>n, W</sub>) = 1,792 m/s<sup>2</sup>, incertitude (K) 1,5 m/s<sup>2</sup>

#### Déclaration de conformité CE

DIRECTIVES MACHINES



#### Taille-haie à perche PH5551

Black & Decker déclare que les produits décrits dans les «Données techniques» sont conformes aux normes :

2006/42/CE et EN 60745-1:2009+A11,  
EN ISO 10517:2009+A1

Niveau de puissance sonore selon la norme 2000/14/CE (Article 13, Annexe III) :

LWA (puissance sonore mesurée) 97,2 dB(A)  
Incertitude = 2,5 dB(A)  
LWA (puissance sonore garantie) 100 dB(A)

Ces produits sont conformes aux normes 2004/108/CE (jusqu'au 19/04/2016), 2014/30/UE (à partir du 20/04/2016) et 2011/65/UE.

Pour plus de détails, veuillez contacter Black & Decker à l'adresse suivante ou reportez-vous au dos du manuel.

Le soussigné est responsable des données de la fiche technique et fait cette déclaration au nom de Black & Decker.



R. Laverick  
Directeur Ingénierie  
Black & Decker Europe, 210 Bath Road, Slough,  
Berkshire, SL1 3YD  
Royaume-Uni  
11/12/2015

## Garantie

Black & Decker assure la qualité de ses produits et offre une garantie de 24 mois aux utilisateurs, à partir de la date d'achat. Cette garantie s'ajoute à vos droits légaux auxquels elle ne porte aucunement préjudice. Cette garantie est valable au sein des territoires des États membres de l'Union Européenne et au sein de la Zone européenne de libre-échange.

Pour prétendre à la garantie, la réclamation doit être en conformité avec les conditions générales de Black & Decker et vous devez fournir une preuve d'achat au vendeur ou au réparateur agréé. Les conditions générales de la garantie de 2 ans Black&Decker ainsi que l'adresse du réparateur agréé le plus proche sont disponibles sur le site Internet [www.2helpU.com](http://www.2helpU.com) ou en contactant votre agence Black & Decker locale à l'adresse indiquée dans ce manuel.

Accédez à notre site Internet [www.blackanddecker.co.uk](http://www.blackanddecker.co.uk) pour enregistrer votre nouveau produit Black & Decker et être informé des nouveaux produits et des offres spéciales.

## Usò previsto

Il tagliasepi ad asta PH5551 BLACK+DECKER è stato concepito per potare siepi, cespugli e rovi. Questo elettrotensile è destinato solo all'uso privato.

## Istruzioni di Sicurezza

### Avvisi di sicurezza generici per gli elettrotensili



**Avvertenza!** Leggere attentamente tutte le avvertenze e le istruzioni. La mancata osservanza dei presenti avvisi e istruzioni potrebbe causare scosse elettriche, incendi e/o infortuni gravi.

**Conservare tutti gli avvertimenti e le istruzioni per consultazioni future** Il termine "elettrotensile" che ricorre in tutti gli avvisi seguenti si riferisce a utensili elettrici alimentati dalla rete (con filo) o a batteria (senza filo).

#### 1. Sicurezza nella zona di lavoro

- Mantenere pulita e bene illuminata l'area di lavoro.** Gli ambienti disordinati o scarsamente illuminati favoriscono gli incidenti.
- Evitare di usare gli elettrotensili in ambienti esposti a rischio di esplosione, ad esempio in presenza di liquidi, gas o polveri infiammabili.** Gli apparati elettrici creano scintille che possono incendiare le polveri o i fumi.
- Tenere lontani bambini e astanti mentre si usa un elettrotensile.** Le distrazioni possono provocare la perdita di controllo.

#### 2. Sicurezza elettrica

- Le spine elettriche degli elettrotensili devono essere adatte alla presa. Non modificare la spina in alcun modo. Non collegare un adattatore alla spina di un apparato elettrico dotato di scarico a terra.** Per ridurre il rischio di scossa elettrica evitare di modificare le spine e utilizzare sempre le prese appropriate.
- Evitare il contatto fisico con superfici collegate a terra, tipo tubi, radiatori, forni e frigoriferi.** Se il proprio corpo è collegato con la terra, il rischio di scossa elettrica aumenta.
- Custodire gli elettrotensili al riparo dalla pioggia o dall'umidità.** Se l'acqua entra nell'apparato elettrico aumenta il rischio di scossa elettrica.
- Non utilizzare il cavo in modo improprio. Non utilizzare mai il cavo per spostare, tirare o scollegare l'apparato elettrico. Tenere il cavo elettrico lontano da fonti di calore, olio, bordi taglienti o parti in movimento.** Se il cavo è danneggiato o impigliato, il rischio di scossa elettrica aumenta.



- e. **Se l'elettrotensile viene adoperato all'aperto, usare esclusivamente prolunghe omologate per l'impiego all'esterno.**

L'uso di un cavo elettrico adatto ad ambienti esterni riduce il rischio di scossa elettrica.

- f. **Se non è possibile evitare di lavorare in una zona umida, usare un'alimentazione elettrica protetta da un dispositivo a corrente residua (RCD).**

L'uso di un interruttore differenziale riduce il rischio di scossa elettrica.

### 3. Sicurezza delle persone

- a. **È importante concentrarsi su ciò che si sta facendo e maneggiare con giudizio l'elettrotensile. Non utilizzare l'apparato elettrico quando si è stanchi o sotto l'effetto di droghe, alcool o medicinali.** Un solo attimo di distrazione durante l'uso di tali apparati potrebbe provocare gravi lesioni personali
- b. **Usare l'equipaggiamento di protezione personale. Utilizzare sempre protezioni oculari.** L'uso di abbigliamento di protezione quali mascherine antipolvere, scarpe antinfortunistiche antiscivolo, caschi di sicurezza o protezioni uditive, in condizioni opportune consente di ridurre le lesioni personali.
- c. **Impedire l'avviamento involontario. Accertarsi che l'interruttore di accensione sia regolato su spento prima di collegare l'elettrotensile all'alimentazione elettrica e/o al battery pack, di prenderlo in mano o di trasportarlo.** Il trasporto di apparati elettrici tenendo il dito sull'interruttore o quando sono collegati alla rete elettrica con l'interruttore nella posizione di accesso provoca incidenti.
- d. **Prima di accendere un elettrotensile, togliere eventuali utensili o chiavi di regolazione.** Un utensile di regolazione o una chiave fissati su una parte rotante dell'apparato elettrico possono provocare lesioni personali.
- e. **Non sbilanciarsi. Mantenere sempre un appoggio ed equilibrio adeguati.** Ciò consente un migliore controllo dell'apparato nelle situazioni impreviste.
- f. **Vestirsi adeguatamente. Non indossare abiti lenti o gioielli. Tenere i capelli, i vestiti e i guanti lontano dalle parti mobili.** Abiti larghi, gioielli o capelli lunghi possono impigliarsi nelle parti in movimento.
- g. **Se gli elettrotensili sono provvisti di attacchi per il collegamento di dispositivi di aspirazione o di raccolta della polvere, assicurarsi che questi siano installati e utilizzati correttamente.** La raccolta delle polveri può ridurre i pericoli legati a queste ultime.

### 4. Uso e cura degli elettrotensili

- a. **Non sovraccaricare l'elettrotensile. Utilizzare un apparato adatto al lavoro da eseguire.**

L'apparato lavora meglio e con maggior sicurezza se utilizzato secondo quanto è stato previsto.

- b. **Non utilizzare elettrotensili con interruttori difettosi.** Qualsiasi apparato elettrico che non possa essere controllato tramite l'interruttore è pericoloso e deve essere riparato.
- c. **Scollegare la spina dalla presa di corrente e/o il battery pack dall'elettrotensile prima di regolarlo, sostituirne gli accessori o di riportarlo.** Queste misure di sicurezza preventive riducono il rischio di azionare l'apparato accidentalmente.
- d. **Quando non vengono usati, gli elettrotensili devono essere custoditi fuori dalla portata dei bambini. Non consentire l'uso dell'elettrotensile a persone inesperte o che non abbiano letto le presenti istruzioni.** Gli apparati elettrici sono pericolosi in mano a persone inesperte.
- e. **Sottoporre gli elettrotensili a regolare manutenzione. Verificare che le parti mobili siano bene allineate e non inceppate, che non vi siano componenti rotti e che non sussistano altre condizioni che possono compromettere il funzionamento dell'elettrotensile. Se danneggiato, far riparare l'apparato elettrico prima dell'uso.** Molti incidenti sono provocati da apparati elettrici su cui non è stata effettuata la corretta manutenzione.
- f. **Mantenere affilati e puliti gli strumenti da taglio.** La manutenzione corretta degli utensili da taglio con bordi affilati riduce le probabilità di inceppamento e ne facilita il controllo.
- g. **Utilizzare l'elettrotensile, gli accessori e le punte in conformità alle presenti istruzioni, tenendo conto delle condizioni di lavoro e del lavoro da completare.** L'utilizzo dell'apparato elettrico per impieghi diversi da quelli previsti può provocare situazioni di pericolo.

### 5. Assistenza

- a. **Fare riparare l'elettrotensile esclusivamente da personale specializzato e solo usando pezzi di ricambio originali.** In questo modo viene garantita la sicurezza dell'apparato elettrico.



**Avvertenza! Aggiuntivi avvisi di sicurezza per i tagliaseipi ad asta.**

L'utilizzo previsto è indicato nel presente manuale. Non usare l'elettrotensile per lavori diversi da quelli previsti; ad esempio non usarlo per abbattere alberi. Se questo elettrotensile viene usato con accessori o per usi diversi da quelli raccomandati nel presente manuale d'uso, si potrebbero verificare lesioni personali.



- ◆ **Tenere l'elettrotensile per le superfici di presa isolate quando si esegue un'operazione in cui l'utensile di taglio potrebbe venire a contatto con un filo nascosto o con il suo cavo.** Il contatto con un filo "in tensione" inoltre potrebbe esporre le parti metalliche dell'elettrotensile dando una scossa all'operatore.
- ◆ **Tenere ogni parte del corpo lontana dalla lama. Non rimuovere il materiale tagliato e non tenere con le mani il materiale da tagliare quando le lame sono in movimento. Assicurarsi che l'interruttore sia spento quando si rimuove materiale inceppato.** Un attimo di distrazione durante l'utilizzo dell'utensile potrebbe provocare gravi lesioni personali.
- ◆ **Trasportare il tagliasiepi dall'impugnatura con la lama ferma. Durante il trasporto o l'immagazzinaggio del tagliasiepi, montare sempre il coperchio del dispositivo di taglio.** L'utilizzo corretto del tagliasiepi ridurrà possibili lesioni personali dalle lame di taglio.
- ◆ **Tenere il cavo lontano dalla zona di potatura.** Durante il funzionamento il cavo potrebbe essere nascosto nei cespugli ed è facile tagliarlo accidentalmente con le lame.
- ◆ **L'utilizzo previsto è indicato nel presente manuale.** L'uso di qualsiasi accessorio o attacco o l'esecuzione di qualsiasi operazione con questo utensile diversa da quelle raccomandate nel presente manuale d'istruzioni può presentare un rischio di lesioni personali e/o danni alla proprietà.
- ◆ Non trasportare l'utensile con le mani sull'impugnatura anteriore, l'interruttore o l'interruttore di azionamento a meno che l'utensile non sia stato scollegato dall'alimentazione.
- ◆ Se è la prima volta che si utilizza un tagliasiepi, è preferibile consultare un utente esperto per istruzioni pratiche oltre alla consultazione del presente manuale.
- ◆ Non toccare mai le lame quando l'elettrotensile è acceso.
- ◆ Non tentare mai di fermare a forza le lame.
- ◆ Non appoggiare l'elettrotensile fino a quando le lame non si sono completamente fermate.
- ◆ Controllare regolarmente che le lame non siano danneggiate e usurate. Non usare l'elettrotensile quando le lame sono danneggiate.
- ◆ Prestare attenzione a evitare oggetti duri (ad esempio filo metallico, inferrate) durante il taglio. Qualora si dovesse colpire accidentalmente un tale oggetto, spegnere immediatamente l'utensile e verificare la presenza di danni.
- ◆ Qualora l'utensile dovesse iniziare a vibrare in modo anormale, spegnerlo immediatamente e verificare la presenza di danni.
- ◆ Se l'elettrotensile si blocca, spegnerlo immediatamente. Scollegarlo dalla presa di corrente prima di tentare di eliminare eventuali inceppamenti.
- ◆ Dopo l'uso, infilare il fodero fornito sulle lame.

Riporre l'elettrotensile, verificando che la lama non sia esposta.

- ◆ Controllare sempre che tutte le protezioni siano montate quando si usa l'elettrotensile. Non tentare mai di usare un elettrotensile non completo o che abbia subito modifiche non autorizzate.
- ◆ Non permettere mai ai bambini di usare l'elettrotensile.
- ◆ Essere consapevoli della possibilità di caduta dei pezzi tagliati dai lati più alti di una siepe.
- ◆ Tenere sempre l'elettrotensile con entrambe le mani e mediante le impugnature fornite.

### Sicurezza altrui

- ◆ Non permettere mai a bambini, persone con capacità fisiche, sensoriali o mentali ridotte o mancanza di esperienze e di conoscenze o persone che non sono a conoscenza delle istruzioni di utilizzare la macchina, le normative locali possono limitare l'età dell'operatore.
- ◆ Non usare mai il tosaerba se vi sono astanti, in modo particolare bambini, o animali domestici, nelle vicinanze.

### Vibrazioni

I valori dichiarati delle emissioni di vibrazioni, indicati nei dati tecnici e nella dichiarazione di conformità del presente manuale, sono stati misurati in base al metodo di test standard previsto dalla normativa EN50636 e possono essere usati come paragone tra un attrezzo e un altro. Il valore delle emissioni di vibrazioni dichiarato può anche essere usato come valutazione preliminare dell'esposizione.

**Avvertenza!** Il valore delle emissioni di vibrazioni durante l'impiego effettivo dell'elettrotensile può variare da quello dichiarato a seconda delle modalità d'uso.

Il livello delle vibrazioni può aumentare oltre quello dichiarato. Quando si valuta l'esposizione alle vibrazioni per determinare le misure di sicurezza richieste dalla normativa 2002/44/CE destinata alla protezione delle persone che usano regolarmente gli elettrotensili nello svolgimento delle proprie mansioni, è necessario prendere in considerazione le condizioni effettive di utilizzo e il modo in cui l'utensile è usato, oltre a tenere in conto tutte le componenti del ciclo operativo, vale a dire i periodi in cui l'elettrotensile è spento, quelli in cui è acceso ma a riposo e quelli in cui è effettivamente utilizzato.

### Rischi residui.

L'utilizzo dell'apparecchio può comportare altri rischi non contemplati negli avvisi di sicurezza qui riportati. Tali rischi possono sorgere a seguito di un uso prolungato o improprio, ecc.

Pur osservando le norme di sicurezza e utilizzando dispositivi di protezione adeguati, certi rischi non possono essere evitati. Sono inclusi:

- ◆ Lesioni causate o subite a seguito del contatto con parti rotanti/in movimento.

- ◆ Lesioni causate o subite durante la sostituzione di parti, lame o accessori.
- ◆ Lesioni causate dall'impiego prolungato di un elettrotensile. Quando si usa qualsiasi apparecchio per lunghi periodi, accertarsi di fare regolarmente delle pause.
- ◆ Menomazioni uditive.
- ◆ Rischi per la salute causati dall'aspirazione di polvere generata dall'utilizzo dell'elettrotensile (ad esempio quando si lavora con il legno, in modo particolare quello di quercia, faggio o l'MDF.)

## Simboli di avviso

I seguenti simboli di avviso sono mostrati sull'utensile insieme al codice data:



**Avvertenza!** Per ridurre il rischio di infortuni, l'utente deve leggere il manuale d'uso.



Non usare l'elettrotensile in ambienti soggetti a umidità e non esporlo alla pioggia o all'umidità elevata.



Utilizzare sempre protezioni oculari.



Indossare sempre delle otoprotezioni.



Indossare scarpe di sicurezza antiscivolo.



Fare attenzione alla caduta di oggetti.



Mantenere distanti eventuali osservatori. I bambini devono sempre rimanere in una zona lontana dal punto in cui viene utilizzato il tagliasièpi ad asta



Pericolo di elettrocuzione. Tenersi ad almeno 10 m dalle linee elettriche aeree.



Staccare immediatamente dalla presa se il cavo di alimentazione viene danneggiato



Pressione sonora garantita in base alla direttiva 2000/14/CE.

## Sicurezza elettrica



Il doppio isolamento di cui è provvisto l'elettrodomestico rende superfluo il filo di terra. La fornitura del voltaggio e della corrente deve essere conforme alle specifiche indicate sulla targia.

- ◆ In caso di danneggiamento del filo di alimentazione, è necessario farlo riparare dal fabbricante o presso un centro assistenza Black & Decker autorizzato in modo da evitare eventuali pericoli.

## Utilizzo di un cavo di prolunga

- ◆ Usare sempre un cavo di prolunga di tipo omologato, idoneo all'assorbimento di corrente di questo elettrotensile (vedere i dati tecnici). Il cavo di prolunga deve essere idoneo per impiego all'esterno e deve essere opportunamente contrassegnato. È possibile usare un cavo di prolunga HO7RN-F 2 lungo fino a 30 m con diametro di 1.5 mm<sup>2</sup> senza perdita alcuna delle prestazioni del prodotto. Prima dell'impiego, ispezionare il cavo di prolunga per accertarsi che non presenti segni di danni, usura o invecchiamento. Sostituire il cavo di prolunga se è danneggiato o difettoso. Se si utilizza un avvolgitore, estrarre il cavo per l'intera lunghezza.

## Caduta di tensione

- ◆ In alcuni casi, che dipendono dal tipo di alimentazione, questo elettrotensile può causare una breve caduta di tensione all'avviamento,
- ◆ che potrebbe avere un effetto negativo su altre apparecchiature. Si potrebbe ad esempio avere una riduzione temporanea dell'intensità luminosa dell'impianto di illuminazione.
- ◆ Se necessario, rivolgersi all'ente di erogazione dell'energia elettrica per determinare se l'impedenza dell'alimentazione elettrica è inferiore a 0.411 ohm. Se lo è, si possono verificare dei disturbi.

## Fare attenzione alle scosse elettriche

- ◆ Evitare il contatto con le superfici messe a terra (ad esempio guide metalliche, steli di lampade ecc.). La sicurezza elettrica può essere ulteriormente aumentata utilizzando un dispositivo a corrente residua (RCD) ad alta sensibilità (30 mA/30 mS).

## Caratteristiche

Questo elettrodomestico presenta alcune o tutte le seguenti caratteristiche.

1. Lama tagliasièpi
2. Fessure di ventilazione
3. Pulsante di regolazione dell'angolazione di blocco
4. Supporto della testa del tagliasièpi

5. Manicotto di blocco (superiore)
6. Estensione dell'asta
7. Manicotto di blocco (inferiore)
8. Imbracatura
- 8a. Clip di fissaggio
9. Impugnatura dell'asta
10. Pulsante di blocco
11. Interruttore di accensione
12. Impugnatura principale
13. Cavo di alimentazione
14. Dispositivo antitrazione cavo
15. Protezione di sicurezza posteriore
16. Sciabola

## Assemblaggio



**Attenzione!** Prima di montare l'elettrodomestico, assicuratevi che sia spento e disinserito dalla presa di corrente.



**Attenzione!** Indossare sempre guanti protettivi quando si lavora con il potatore telescopico.



**Attenzione!** Questo prodotto deve essere completamente assemblato prima dell'uso. Non utilizzare questo prodotto assemblato in parte o assemblato con parti danneggiate.

- ◆ Il potatore telescopico deve essere completamente assemblato dentro la confezione alla consegna.
- ◆ Rimuovere il coperchio della lama (17) dalla lama (1) prima dell'uso.

## Accensione (Fig. A)

- ◆ Assicurarvi che la lama del potatore telescopico (1) non tocchi alcun oggetto.
- ◆ Premere il pulsante di blocco (10) e tenerlo in posizione.
- ◆ Premere l'interruttore di accensione (11) per accendere il prodotto.

## Spegnimento

- ◆ Rilasciare l'interruttore di accensione/spegnimento (11).

**Avvertenza!** Non tentare mai di bloccare un interruttore su acceso.

## Estensione del potatore telescopico (Fig. B)

- ◆ Allentare il manicotto di blocco inferiore (7).
- ◆ Spingere l'asta (9) e l'estensione dell'asta (6) l'una verso l'altra o l'una lontano dall'altra per estendere.
- ◆ Serrare il manicotto di blocco (7) una volta ottenuta la lunghezza desiderata.

**Avvertenza!** Controllare periodicamente i collegamenti per verificare che siano sempre ben serrati.

**Avvertenza!** La lunghezza dell'asta di estensione è limitata. Smettere di spingere/tirare non appena si avverte la resistenza. Estendere alla lunghezza desiderata soltanto per raggiungere le siepi da potare. Non tentare di utilizzare il prodotto a una lunghezza che non consente di ottenere una posizione sicura e l'equilibrio in ogni momento.

## Regolazione dell'angolo (Fig. C)

- ◆ Premere il pulsante di blocco (3) della testa del taglia siepi durante la regolazione.
- ◆ Assicurarvi che il pulsante di blocco (3) scatti saldamente in posizione.

**Avvertenza!** La testa può essere regolata in cinque posizioni diverse. Assicurarvi che la testa sia sempre bloccata saldamente. Non tentare di utilizzare il prodotto con la testa in qualsiasi altra posizione o sbloccata.

## Utilizzo

**Avvertenza!** Lasciare che l'elettrodomestico funzioni al suo ritmo. Non sovraccaricarlo.

## Potatura (fig. D, E, F, G)

- ◆ Regolare l'asta alla lunghezza desiderata.
- ◆ Tagliare e rimuovere i rami che superano la capacità di taglio di questo prodotto utilizzando una potatrice manuale prima dell'uso.

**Nota:** L'inzeppamento della lama su rami di grandi dimensioni può causare danni.

- ◆ Tenere sempre il prodotto saldamente con entrambe le mani sulla superficie di presa e l'impugnatura. Non azionare mai questo prodotto con una mano sola.

**Nota:** Provare a tenere le lame inclinate di circa 15° rispetto alla superficie di taglio (Fig D).

- ◆ Tagliare entrambi i lati dal basso verso l'alto; questo impedirà a qualsiasi taglio di rientrare nel percorso della zona ancora da tagliare.
- ◆ Dopo aver tagliato i lati, procedere con la parte superiore.
- ◆ Quando si tagliano siepi larghe con la zona di taglio in vista muovere la lama di taglio leggermente attraverso la superficie di taglio in un movimento circolare seguendo la forma della siepe o arbusto. Una leggera inclinazione verso il basso della lama di taglio nella direzione di movimento è raccomandata per prestazioni di taglio ottimali.
- ◆ Spostare il taglia siepi con movimento lento in avanti quando si taglia una zona fuori dalla vista.
- ◆ Non avere fretta e non tentare di tagliare troppo con un colpo della lama di taglio.

- ◆ Tagliare in più fasi, se la zona da tagliare è particolarmente lunga per ottenere un risultato migliore.
- ◆ Per ottenere un taglio molto dritto, allungare un pezzo di corda lungo la lunghezza della siepe all'altezza desiderata.  
Usare la corda come guida, tagliando immediatamente al di sopra (fig. E).
- ◆ Per ottenere dei lati piatti, potare verso l'alto in direzione della crescita. Gli steli più piccoli si spostano verso l'esterno quando la lama taglia verso il basso causando dei buchi in siepe (Fig. E).
- ◆ Prestare attenzione a evitare oggetti estranei. In particolare, evitare oggetti duri come fili e ringhiere metallici, poiché potrebbero danneggiare le lame.
- ◆ Oliare regolarmente le lame.

### Consigli per il taglio (Regno Unito e Irlanda)

- ◆ Potare siepi e cespugli con foglie stagionali (foglie nuove ogni anno) in giugno e in ottobre.
- ◆ Potare i sempreverdi in aprile e agosto.
- ◆ Potare le conifere e altri cespugli che crescono rapidamente ogni sei settimane da maggio fino a ottobre.

### Consigli per il taglio (Australia e Nuova Zelanda)

- ◆ Potare siepi e cespugli con foglie stagionali (foglie nuove ogni anno) in dicembre e marzo.
- ◆ Potare i sempreverdi in settembre e in febbraio.
- ◆ Potare le conifere e altri cespugli che crescono rapidamente ogni sei settimane da ottobre fino a marzo.

### Pulitura, manutenzione e conservazione

Questo elettrotensile BLACK+DECKER con o senza filo è stato progettato per funzionare a lungo con una manutenzione minima.

Prestazioni sempre soddisfacenti dipendono da una cura appropriata e da una pulizia regolare.

**Avvertenza!** Prima di eseguire interventi di manutenzione su elettrotensili con o senza filo procedere come descritto di seguito.

- ◆ Spegner e scollegare l'apparecchio/elettrotensile dalla presa di corrente.
- ◆ Oppure spegnere ed estrarre la batteria se l'apparecchio/elettrotensile è dotato di battery pack a parte.
- ◆ Oppure scaricare completamente la batteria se è di tipo integrale e quindi spegnerlo.

Pulire regolarmente le prese di ventilazione dell'apparecchio/elettrotensile/alimentatore con un pennello o con un panno morbido e asciutto. Il vano del motore deve essere pulito regolarmente con un panno umido. Non usare materiali abrasivi o detergenti a base di solventi.

- ◆ Pulire regolarmente le prese di ventilazione dell'apparecchio/elettrotensile/caricabatterie con un pennello o con un panno morbido e asciutto.
- ◆ Il vano del motore deve essere pulito regolarmente con un panno umido. Non usare materiali abrasivi o detergenti a base di solventi.

### Dopo l'impiego e prima di riporre l'elettrotensile

- ◆ Pulire regolarmente le feritoie di ventilazione con un pennello pulito e asciutto.
- ◆ Per pulire l'elettrotensile e i relativi accessori e componenti, usare solo sapone neutro e un panno umido. Evitare la penetrazione di liquidi all'interno dell'elettrotensile e non immergere mai nessuna parte dello stesso in un liquido.
- ◆ Eliminare i trucioli con una spazzola rigida.
- ◆ Lubrificare la catena con olio.

### Sostituzione della spina (solo Regno Unito e Irlanda)

Se è necessario installare una nuova spina:

- ◆ Smaltire in sicurezza quella vecchia.
- ◆ Collegare il filo marrone al morsetto sotto tensione della nuova spina.
- ◆ Collegare il filo blu al morsetto neutro.

**Avvertenza!** Non deve essere effettuato nessun collegamento al terminale di messa a terra. Seguire le istruzioni di montaggio fornite con spine di buona qualità. Fusibile raccomandato: 5 A.

### Protezione dell'ambiente



Raccolta differenziata. I prodotti e le batterie contrassegnate con questo simbolo devono essere smaltiti con i rifiuti domestici normali.

I prodotti e le batterie contengono materiali che possono essere recuperati o riciclati riducendo la richiesta di materie prime. Riciclare i prodotti elettrici e le batterie secondo le disposizioni locali. Ulteriori informazioni sono disponibili all'indirizzo [www.2helpU.com](http://www.2helpU.com).

### Dati tecnici

		PH5551
Tensione in ingresso	V <sub>ac</sub>	230
Velocità a vuoto	min <sup>-1</sup>	3300
Lunghezza lama	mm	515
Tempo di frenatura lama	s	<1
Peso	kg	4,1

Livello di pressione sonora misurato in base a EN ISO 11680-1, EN ISO 3744:
---

Pressione sonora ( $L_{pA}$ ) 90,3 dB(A), incertezza (K) 2,5 dB(A)
--

Potenza acustica ( $L_{WA}$ ) 100 dB(A), incertezza (K) 2,5 dB(A)
---

Valori totali vibrazioni (somma vettoriale triassiale) in base a EN 60745:
--

Taglio di legno dolce appena abbattuto ( $a_{h,w}$ ) = 1,792 $m/s^2$ , incertezza (K) 1,5 $m/s^2$
---

## Dichiarazione di conformità CE

DIRETTIVA MACCHINE



### Tagliasiepi ad asta PH551

Black & Decker dichiara che i prodotti descritti al paragrafo "Dati tecnici" sono conformi alle seguenti normative:

2006/42/EC e EN 60745-1:2009+A11,  
EN ISO 10517:2009+A1

Livello di potenza acustica misurato in base a 2000/14/CE

(Articolo 13, Allegato III):

LWA (pressione sonora misurata) 97,2 dB(A)

Incertezza = 2,5 dB(A)

LWA (pressione sonora garantita) 100 dB(A)

Questi prodotti sono anche conformi alle direttive  
2004/108/CE (fino al 19/04/2016) 2014/30/UE (dal  
20/04/2016) e 2011/65/UE.

Per ulteriori informazioni contattare  
Black & Decker al seguente indirizzo oppure consultare  
l'ultima di copertina del manuale.

Il sottoscritto è responsabile della redazione di questo  
documento tecnico e rilascia questa dichiarazione per conto di  
Black & Decker.

R. Laverick  
Direttore tecnico  
Black & Decker Europe, 210 Bath Road, Slough,  
Berkshire, SL1 3YD  
Regno Unito  
11/12/2015

## Garanzia

Black & Decker è sicura della qualità dei propri prodotti e offre ai consumatori una garanzia di 24 mesi dalla data di acquisto. Il presente certificato di garanzia è complementare ai diritti legali e non li pregiudica in alcun modo. La garanzia è valida sui territori degli stati membri dell'Unione Europea e dell'EFTA (Associazione europea di libero scambio).

Per attivare la garanzia, il reclamo deve essere effettuato in accordo con i Termini e Condizioni Black & Decker e sarà necessario presentare la prova di acquisto al venditore o all'agente di riparazione autorizzato. I Termini e condizioni della garanzia Black & Decker di 2 anni e la sede dell'agente di riparazione autorizzato più vicino sono consultabili su Internet all'indirizzo [www.2helpU.com](http://www.2helpU.com), o contattando l'ufficio Black & Decker di zona all'indirizzo indicato in questo manuale.

Visitare il nostro sito [www.blackanddecker.co.uk](http://www.blackanddecker.co.uk) per registrare il nuovo prodotto Black & Decker e ricevere gli aggiornamenti sui nuovi prodotti e le offerte speciali.

## Bedoeld gebruik

De BLACK+DECKERTM verlengde heggenschaar van het type PH5551 is ontworpen voor het snoeien van heggen, heesters en braamstruiken. Dit gereedschap is uitsluitend bestemd voor consumentengebruik.

## Instructies voor de veiligheid

### Algemene veiligheidswaarschuwingen voor elektrisch gereedschap



**Waarschuwing!** Lees alle veiligheidswaarschuwingen en alle instructies. Wanneer de volgende waarschuwingen en voorschriften niet in acht worden genomen, kan dit een elektrische schok, brand of ernstig letsel tot gevolg hebben.

**Bewaar alle waarschuwingen en instructies als referentiemateriaal.** Het in de waarschuwingen gebruikte begrip 'elektrisch gereedschap' heeft betrekking op elektrisch gereedschap voor gebruik op de netspanning (met netsnoer) of op accu (snoerloos).

#### 1. Veilige werkomgeving

- a. **Houd uw werkomgeving schoon en opgeruimd.** Op rommelige of donkere plekken zullen sneller ongelukken gebeuren.
- b. **Gebruik elektrisch gereedschap niet in een omgeving met explosiegevaar, zoals in de nabijheid van brandbare vloeistoffen, gassen of stof.** Elektrisch gereedschap veroorzaakt vonken die het stof of de dampen kunnen doen ontbranden.
- c. **Houd kinderen en omstanders tijdens het gebruik van elektrisch gereedschap op afstand.** Als u wordt afgeleid, kunt u de controle over het gereedschap verliezen.

#### 2. Elektrische veiligheid

- a. **De netstekker van het gereedschap moet in het stopcontact passen. Pas de stekker nooit op enige manier aan. Gebruik geen adapterstekkers in combinatie met geaard elektrisch gereedschap.** Niet-aangepaste stekkers en passende contactdozen verminderen het risico van een elektrische schok.
- b. **Vermijd aanraking van het lichaam met geaarde oppervlakken, bijvoorbeeld buizen, verwarmingen, fornuizen en koelkasten.** Er bestaat een verhoogd risico van een elektrische schok als uw lichaam contact heeft met aarde.
- c. **Stel het gereedschap niet bloot aan regen en vocht.** Als er water in een elektrisch gereedschap dringt, verhoogt dit het risico van een elektrische schok.

- d. **Behandel het snoer voorzichtig. Gebruik het snoer nooit om het elektrische gereedschap te dragen of naar u toe te trekken, of de stekker uit het stopcontact te halen. Houd het snoer uit de buurt van warmte, olie, scherpe randen, of bewegende onderdelen.**  
Beschadigde snoeren of snoeren die in de war zijn geraakt, verhogen het risico van een elektrische schok.
- e. **Gebruik, wanneer u buitenshuis met elektrisch gereedschap werkt, alleen verlengsnoeren die zijn goedgekeurd voor gebruik buitenshuis.**  
Het gebruik van een verlengsnoer dat geschikt is voor buitenshuis, vermindert het risico van een elektrische schok.
- f. **Als u met elektrisch gereedschap werkt op een vochtige locatie, gebruik dan een aardlekschakelaar (RCD).** Het gebruik van een aardlekschakelaar vermindert het risico van een elektrische schok.

#### 3. Persoonlijke veiligheid

- a. **Blijf alert, let goed op wat u doet en ga met verstand te werk bij het gebruik van elektrisch gereedschap. Gebruik het gereedschap niet als u vermoeid bent of onder de invloed van drugs, alcohol of medicatie bent.**  
Een moment van onoplettendheid tijdens het werken met elektrisch gereedschap kan leiden tot ernstig persoonlijk letsel.
- b. **Draag persoonlijke beschermende uitrusting. Draag altijd oogbescherming.** Beschermende uitrusting, zoals een stofmasker, antislip veiligheidsschoenen, een helm, of gehoorbescherming, gebruikt in de juiste omstandigheden, zal het risico op persoonlijk letsel verminderen.
- c. **Voorkom per ongeluk inschakelen. Controleer dat de schakelaar in de uit-stand staat voordat u het gereedschap aansluit op het stopcontact en/of de accu plaatst en voordat u het gereedschap optilt of gaat dragen.** Het dragen van elektrisch gereedschap met uw vinger op de schakelaar of het aanzetten van elektrisch gereedschap waarvan de schakelaar aan staat, kan leiden tot ongelukken.
- d. **Verwijder instelgereedschap of schroefslutels voordat u het gereedschap inschakelt.** Een instelgereedschap of sleutel in een draaiend deel van het gereedschap kan tot verwondingen leiden.
- e. **Reik niet te ver. Blijf altijd stevig en in balans op de grond staan.** Dit zorgt voor betere controle over het elektrisch gereedschap in onverwachte situaties.
- f. **Draag geschikte kleding. Draag geen loszittende kleding of sieraden. Houd uw haar, kleding en handschoenen uit de buurt van bewegende onderdelen.** Loszittende kleding, sieraden of lang haar kunnen door bewegende delen worden gegrepen.

- g. **Als stofafzuigings- of stofopvangvoorzieningen kunnen worden gemonteerd, controleer dan dat deze zijn aangesloten en op de juiste wijze worden gebruikt.** Het gebruik van stofafzuiging kan aan stof gerelateerde gevaren verminderen.
4. **Gebruik en onderhoud van elektrisch gereedschap**
- a. **Overbelast het elektrisch gereedschap niet. Gebruik het juiste elektrisch gereedschap voor uw toepassing.** Met het juiste elektrisch gereedschap kunt u de werkzaamheden waarvoor het gereedschap is ontworpen, beter en veiliger uitvoeren.
- b. **Gebruik het elektrisch gereedschap niet als de schakelaar niet goed werkt.** Ieder gereedschap dat niet met de schakelaar kan worden bediend, is gevaarlijk en moet worden gerepareerd.
- c. **Trek de stekker uit het stopcontact en/of de accu uit het elektrisch gereedschap voordat u het gereedschap instelt, toebehoren wisselt of het gereedschap opbergt.** Dergelijke preventieve veiligheidsmaatregelen verminderen het risico dat het elektrisch gereedschap per ongeluk wordt gestart.
- d. **Bewaar elektrisch gereedschap dat niet wordt gebruikt, buiten bereik van kinderen. Laat niet personen die er niet vertrouwd mee zijn en deze aanwijzingen niet hebben gelezen met het gereedschap werken.** Elektrisch gereedschap is gevaarlijk in handen van ongetrainde gebruikers.
- e. **Onderhoud het gereedschap goed. Controleer of bewegende delen van het gereedschap goed functioneren en niet klemmen, en of er onderdelen zodanig zijn gebroken of beschadigd dat de werking van het gereedschap nadelig wordt beïnvloed. Laat het gereedschap voor gebruik repareren als het beschadigd is.** Veel ongelukken worden veroorzaakt door slecht onderhouden elektrisch gereedschap.
- f. **Houd zaag- en snijgereedschap scherp en schoon.** Goed onderhouden snijgereedschap met scherpe snijvlakken lopen minder snel vast en zijn gemakkelijker onder controle te houden.
- g. **Gebruik elektrisch gereedschap, toebehoren, zaagjes en boortjes, enz., volgens deze aanwijzingen. Let daarbij op de arbeidsomstandigheden en de uit te voeren werkzaamheden.** Gebruik van het elektrisch gereedschap voor werkzaamheden die anders zijn dan bedoeld, kan leiden tot een gevaarlijke situatie.

## 5. Service

- a. **Laat het gereedschap repareren door gekwalificeerd en vakkundig personeel en alleen met originele vervangende onderdelen.** Dit zorgt ervoor dat de veiligheid van het gereedschap gewaarborgd blijft.



**Waarschuwing!** Aanvullende veiligheidsaanschuivingen voor verlengde heggenscharen.

Het bedoeld gebruik wordt beschreven in deze gebruiksaanwijzing. De heggenschaar mag niet worden gebruikt voor andere doeleinden dan waarvoor deze is bestemd. Het apparaat mag daarom bijvoorbeeld niet worden gebruikt voor het snoeien van bomen. Het gebruik van andere accessoires of hulpstukken dan wel de uitvoering van andere handelingen dan in deze gebruikershandleiding worden aanbevolen, kan een risico van persoonlijk letsel geven.

- ◆ Houd het elektrisch gereedschap vast bij de geïsoleerde handgrepen wanneer u een bedieningshandeling uitvoert waarbij het knipgereedschap in contact kan komen met het eigen snoer. Contact met een draad waar spanning op staat kan onbedekte metalen delen van het elektrisch gereedschap onder spanning zetten en de gebruiker een elektrische schok geven.
- ◆ Houd alle lichaamsdelen uit de buurt van het snijmes. Verwijder geen geknipt materiaal en houd niet iets vast dat moet worden geknipt wanneer de messen in beweging zijn. Let erop dat de schakelaar in de uit-stand staat wanneer u vastgelopen materiaal verwijdt. Een moment van onoplettendheid bij het gebruik van het gereedschap kan leiden tot ernstige verwondingen.
- ◆ Houd de heggenschaar bij de handgreep vast terwijl het snijmes stilstaat. Wanneer u de heggenschaar vervoert of opbergt, plaats dan altijd de kap op het snijmes. Wanneer u op de juiste manier met de heggenschaar werkt zal het gevaar van persoonlijk letsel door de snijmessen afnemen.
- ◆ Houd het snoer uit de buurt van het knipgebied. Tijdens het werken kan de kabel in de struiken verborgen raken en per ongeluk door het snijmes worden doorgesneden.
- ◆ Het bedoeld gebruik wordt beschreven in deze instructiehandleiding. Het gebruik van een accessoire of hulpstuk of uitvoering Van een bedieningshandeling met dit gereedschap dat niet in deze instructiehandleiding wordt geadviseerd, kan een risico van persoonlijk letsel en/of materiële schade geven.
- ◆ Draag het gereedschap niet met uw handen op de voorste handgreep, de schakelaar of de aan/uit-schakelaar als het gereedschap niet is losgekoppeld van de stroomvoorziening.
- ◆ Als u niet eerder een heggenschaar hebt gebruikt, verdient het de voorkeur instructie over het gebruik in de praktijk te vragen aan een ervaren gebruiker en verder ook deze handleiding te bestuderen.
- ◆ Raak nooit de messen aan terwijl het gereedschap in werking is.
- ◆ Probeer nooit de messen tot stilstand te dwingen.



- ◆ Leg het gereedschap pas neer wanneer de messen volledig tot stilstand zijn gekomen.
- ◆ Controleer de messen regelmatig op beschadiging en slijtage. Het gereedschap mag niet worden gebruikt wanneer de messen beschadigd zijn.
- ◆ Blijf tijdens het knippen vooral uit de buurt van harde voorwerpen (bijv. metalen draad, relingen). Als u per ongeluk een dergelijk voorwerp raakt, schakel het gereedschap dan onmiddellijk uit en controleer het gereedschap op beschadiging.
- ◆ Als het apparaat meer begint te trillen dan normaal is, schakel het dan onmiddellijk uit en controleer het op beschadiging.
- ◆ Schakel het gereedschap onmiddellijk uit, als het vastloopt. Koppel het gereedschap los van de stroomvoorziening voordat u eventuele obstakels probeert te verwijderen.
- ◆ Plaats na gebruik de meegeleverde beschermkap over de messen. Let er, wanneer u het gereedschap opbergt, vooral goed op dat het snijmes niet onbedekt is.
- ◆ Let er altijd goed op dat alle beschermkappen zijn gemonterd wanneer u het gereedschap gebruikt. Probeer nooit een incompleet apparaat of een apparaat waarop ongeoorloofde wijzigingen zijn aangebracht te gebruiken.
- ◆ Laat nooit kinderen het gereedschap gebruiken.
- ◆ Houd rekening met vallend knipafval wanneer u de hogere gedeeltes van een heg knipt.
- ◆ Houd het gereedschap altijd met beide handen aan de handgrepen vast.

**Veiligheid van anderen**

- ◆ Laat nooit kinderen, personen met verminderde fysieke, zintuiglijke of mentale vermogens of met een gebrek aan ervaring en kennis of mensen die niet bekend zijn met deze instructies, de machine gebruiken, ter plaatse geldende bepalingen zullen mogelijk een minimale leeftijd van de gebruiker voorschrijven.
- ◆ Gebruik de machine nooit als er mensen, met name kinderen, of huisdieren in de buurt zijn.

**Trillingen**

De aangegeven waarden voor trillingsemisatie in de technische gegevens en de conformiteitsverklaring, zijn gemeten conform een standaardtestmethode die door EN50636 wordt verstrekt. Hiermee kan het ene gereedschap met het andere worden vergeleken. De aangegeven waarde voor trillingsemisatie kan ook worden gebruikt bij een voorlopige bepaling van blootstelling.

**Waarschuwing!** De waarde voor trillingsemisatie tijdens het werkelijke gebruik van het gereedschap kan verschillen van de aangegeven waarde afhankelijk van de manieren waarop het gereedschap wordt gebruikt.

Het trillingsniveau kan hoger worden dan het aangegeven niveau.

Wanneer de blootstelling aan trillingen wordt vastgesteld ten einde veiligheidsmaatregelen te bepalen die worden vereist door 2002/44/EG ter bescherming van personen die tijdens hun werk regelmatig elektrische gereedschappen gebruiken, moet bij een schatting van de blootstelling aan trillingen rekening worden gehouden met de werkelijke omstandigheden van het gebruik en de manier waarop het gereedschap wordt gebruikt. Daarbij moet ook rekening worden gehouden met alle stappen in de gebruikscyclus, zoals het moment waarop het gereedschap wordt uitgeschakeld en wanneer het gereedschap stationair loopt alsook de aanlooptijd.

**Overige risico's**

Er kunnen zich nog meer risico's voordoen bij het gebruik van dit gereedschap, die mogelijk niet in de bijgesloten veiligheids-waarschuwingen worden beschreven. Deze risico's kunnen zich voordoen door onoordeelkundig gebruik, langdurig gebruik, enz. Zelfs wanneer de veiligheidsvoorschriften in acht worden genomen en de veiligheidshulpmiddelen worden gebruikt, kunnen bepaalde risico's niet worden uitgesloten. Dit zijn onder meer:

- ◆ Verwondingen die worden veroorzaakt door het aanraken van draaiende/bewegende onderdelen.
- ◆ Verwondingen die worden veroorzaakt bij het vervangen van onderdelen, zaagbladen of accessoires.
- ◆ Verwondingen die worden veroorzaakt door langdurig gebruik van gereedschap. Wanneer u langere periodes met het gereedschap werkt, kunt u het beste regelmatig een pauze nemen.
- ◆ Gehoorbeschadiging.
- ◆ Gezondheidsrisico's door het inademen van stof dat vrijkomt bij gebruik van uw gereedschap (bijv.: het werken met hout, vooral eiken, beuken en MDF.)

**Waarschuwingssymbolen**

De volgende waarschuwingssymbolen worden met de datumcode op het gereedschap weergegeven:



**Waarschuwing!** De gebruiker moet de instructiehandleiding lezen zodat het risico van letsel wordt beperkt.



Gebruik het gereedschap niet in natte omstandigheden en stel het niet bloot aan regen en hoge luchtvochtigheid.



Draag altijd oogbescherming.



Rol het snoer altijd volledig af, als u een haspel gebruikt.



Draag altijd gehoorbescherming.



Draag antislipschoeisel.



Wees bedacht op vallende voorwerpen.



Houd omstanders uit de buurt. Houd kinderen altijd uit de buurt bij waar u met de verlengde heggenschaar werkt



Elektrocutiegevaar. Blijf minimaal 10 meter uit de buurt van bovengrondse kabels.



Trek de stekker onmiddellijk uit het stopcontact als het netsnoer beschadigd raakt



Richtlijn 2000/14/EG gegarandeerd geluidsvermogen.

## Elektrische veiligheid



Dit gereedschap is dubbel geïsoleerd. Een aardaansluiting is daarom niet noodzakelijk. Controleer altijd of de stroomvoorziening overeenkomt met de voltage op het typeplaatje.

- ◆ Als het netsnoer is beschadigd, moet het door de fabrikant of door een geautoriseerd Black & Decker-servicecentrum worden vervangen, zodat gevaarlijke situaties worden voorkomen.

## Een verlengsnoer gebruiken

- ◆ Gebruik altijd een goedgekeurd verlengsnoer dat geschikt is voor het opgenomen vermogen van dit apparaat (zie technische gegevens). Het verlengsnoer moet geschikt zijn voor gebruik buitenshuis en dient als zodanig te zijn gemarkeerd. Er kan een HO7RN-F 2 X verlengkabel van 1.5 mm<sup>2</sup> van maximaal 30 m lang worden gebruikt zonder dat de prestaties van het gereedschap verminderen. Controleer het verlengsnoer vóór gebruik op tekenen van beschadiging, slijtage of veroudering. Vervang het verlengsnoer indien het beschadigd of defect is.

## Spanningsdalingen

- ◆ Onder bepaalde omstandigheden wat betreft de stroomvoeding kan dit product een kortdurende daling in spanning veroorzaken tijdens het opstarten.
- ◆ Andere apparatuur kan hierdoor worden beïnvloed. Elektrische lampen kunnen bijvoorbeeld tijdelijk minder helder zijn.
- ◆ Neem indien nodig contact op met uw stroomvoorzieningsbedrijf en vraag of de impedantie van de stroomvoorziening lager is dan 0,411 Ohm kan zijn. Hierbij treden meestal geen storingen op.

## Bescherming tegen elektrische schok

- ◆ Vermijd aanraking met geaarde oppervlakken (bijv. metalen relingen, lantaarpalen, enz.). Verhoog de elektrische veiligheid eventueel verder met behulp van een hooggevoelige (30 mA/30 mS) reststroomschakelaar (RCD).

## Functies

Dit gereedschap is voorzien van enkele of alle van de volgende functies.

1. Heggenschaarmes
2. Ventilatieopeningen
3. Vergrendelknop hoekafstelling
4. Ondersteuning kop van heggenschaar
5. Vergrendelmof (boven)
6. Stangverlenger
7. Vergrendelmof (onder)
8. Afscherming
- 8a. Bevestigingsklem
9. Stanghandgreep
10. Vergrendelknop Uit-stand
11. Aan/uit-schakelaar
12. Hoofdhandgreep
13. Voedingskabel
14. Kabelspanningsontlaster
15. Achterste beschermkap
16. Snijbladbeschermkap

## Montage



**Waarschuwing!**Controleer vóór de montage dat het apparaat is uitgeschakeld en de stekker niet in het stopcontact zit.



**Waarschuwing!**Draag altijd beschermende handschoenen wanneer u met de verlengde snoeischaar werkt.

**Waarschuwing!** Dit product moet volledig worden gemonteerd voor het in gebruik kan worden genomen. Gebruik dit product niet gedeeltelijk gemonteerd of gemonteerd met beschadigde onderdelen.



- ◆ De verlengde snoeischaar moet volledig gemonteerd in de verpakking worden geleverd.
- ◆ Neem de beschermkap (17) van het snoeimes (1) voordat u het gereedschap in gebruik neemt.

### Inschakelen (Afb. A)

- ◆ Let er vooral op dat het snoeimes (1) van het verlengde snoeimes niet een voorwerp raakt.
- ◆ Druk op de vergrendelingsknop voor de Uit-stand (10) en houd vast.
- ◆ Schakel het gereedschap in met de Aan/Uit-schakelaar (11).

### Uitschakelen

- ◆ Laat de Aan/Uit-schakelaar (11) los.

**Waarschuwing!** Probeer nooit een schakelaar in de ingeschakelde stand te vergrendelen.

### De verlengde snoeischaar uitschuiven (Afb. D)

- ◆ Draai de onderste vergrendelmof (7) los.
- ◆ Duw de verlengstok (9) en het uitschuifdeel (6) naar elkaar toe als u de verlengstok wilt inschuiven en van elkaar weg als u de uitschuifstok wilt uitschuiven.
- ◆ Zet de vergrendelmof (7) vast wanneer de gewenste lengte is bereikt.

**Waarschuwing!** Controleer de verbindingen regelmatig zodat u er zeker van bent dat ze stevig vastzitten.

**Waarschuwing!** De lengte van de verlengstok is beperkt. Stop met duwen / trekken zodra u weerstand voelt. Schuif de verlengstok niet verder uit dan nodig is om de heggen die u wilt knippen te bereiken. Probeer niet het product te gebruiken op lengte waarop u niet steeds uw voeten vast aan de grond kunt houden en uw evenwicht kunt bewaren.

### Hoekafstelling (Afb. C)

- ◆ Druk op de vergrendelingsknop van de Uit-stand (3) van de kop van de heggenschaar terwijl u de afstelling uitvoert.
- ◆ Let erop dat vergrendelingsknop van de Uit-stand(3) weer stevig op z'n plaats klikt.

**Waarschuwing!** De kop van de heggenschaar kan in drie verschillende standen worden ingesteld. Let er altijd goed op dat de kop stevig is vergrendeld.

Probeer niet met het product te werken terwijl de kop in een andere stand staat of niet vergrendeld is.

### Het gereedschap gebruiken

**Waarschuwing!** Laat het gereedschap op zijn eigen snelheid werken. Overbelast het gereedschap niet.

### Knippen (Afb. D, E, F, G)

- ◆ Stel de verlengstok af op de gewenste lengte.
- ◆ Knip en verwijder takken die te dik zijn voor dit product met een handschaar voordat u aan het werk gaat.

**Opmerking:** Wanneer het knipmes vastloopt op grote takken kan het gereedschap beschadigd raken.

- ◆ Houd het product altijd stevig met beide handen vast op het handgreepoppervlak en de hendel vast. Bedien dit product nooit met maar één hand.

**Opmerking:** Probeer de messen in een hoek van ongeveer 15° ten opzichte van te knippen oppervlakte houden (Afb. D).

- ◆ Knip beide zijden van onder naar boven, zo vallen er geen geknipte takjes in het gebied waar u nog moet knippen.
- ◆ Ga na het knippen van de zijden van de heg door naar de bovenkant.
- ◆ Wanneer u brede heggen knipt waarbij het te knippen oppervlak in zicht blijft, verplaats dan het knipmes licht in een zwaaibeweging door het te knippen oppervlak, waarbij u de vorm van de heg of de heester volgt. Een lichte neerwaartse kanteling van het knipmes, in de richting van de maaibeweging, wordt aanbevolen omdat u zo het beste resultaat krijgt.
- ◆ Verplaats de heggenschaar in een langzame beweging naar voren wanneer u een oppervlak knipt dat u niet kunt overzien.
- ◆ Haast u niet en probeer niet te veel te knippen in één slag met het snijmes.
- ◆ Knip de heg in een aantal fasen als het te knippen oppervlak erg lang is, zo krijgt u een beter resultaat.
- ◆ U kunt voor een heel recht resultaat een stuk touw langs de heg spannen over de lengte en op de gewenste hoogte. Gebruik het touw als leidraad door er vlak boven te knippen (Afb. E).
- ◆ U krijgt een vlakke zijden van de heg door omhoog te knippen in de richting van de groei. Jongere takjes zakken naar buiten wanneer het mes omlaag knipt waardoor ondiepe plekken in de heg ontstaan (Afb. E).
- ◆ Ga voorzichtig te werk zodat de heggenschaar niet in aanraking komt met andere voorwerpen. Blijf vooral uit de buurt van harde voorwerpen zoals metalen draad en relingen, omdat deze de messen kunnen beschadigen.
- ◆ Breng regelmatig wat smeerolie aan op de messen.

## Leidraad voor het knippen van heggen (Verenigd Koninkrijk en Ierland)

- ◆ Knip heggen en heesters met seizoensblad (elk jaar nieuw blad) in juni en oktober.
- ◆ Snoei struiken die het hele jaar door groen zijn (Evergreens) in april en augustus.
- ◆ Snoei coniferen en andere snelgroeiende heesters elke zes weken van mei tot oktober.

## Richtlijnen voor het snoeien (Australië en Nieuw Zeeland)

- ◆ Knip heggen en heesters met seizoensblad (elk jaar nieuw blad) in december en maart.
- ◆ Knip struiken die het hele jaar door groen zijn (Evergreens) in september en februari.
- ◆ Knip coniferen en andere snelgroeiende heesters elke zes weken van oktober tot maart.

## Reiniging, onderhoud en opbergen

Uw BLACK+DECKER-machine/-gereedschap (met netsnoer/snoerloos) is ontworpen om gedurende lange tijd te functioneren met een minimum aan onderhoud.

Het continu naar tevredenheid functioneren hangt af van de juiste zorg voor het gereedschap en regelmatig schoonmaken.

**Waarschuwing!** Ga altijd als volgt te werk voor u onderhouds- of reinigingswerkzaamheden aan het gereedschap (met snoer/snoerloos) uitvoert:

- ◆ Schakel het gereedschap/apparaat uit en trek de stekker uit het stopcontact.
- ◆ Of schakel het gereedschap/apparaat en haal de accu eruit, als het een aparte accu heeft.
- ◆ Of maak de accu geheel leeg, als de accu een integraal onderdeel van het gereedschap is en schakel het apparaat vervolgens uit.

Reinig regelmatig de ventilatieopeningen van het gereedschap/apparaat/lader met een zachte borstel of droge doek. Reinig de behuizing van de motor regelmatig met een vochtige doek. Gebruik niet een schurend schoonmaakmiddel of een schoonmaakmiddel op basis van een oplosmiddel.

- ◆ Reinig regelmatig de ventilatieopeningen van het gereedschap/apparaat/de lader met een zachte borstel of droge doek.
- ◆ Reinig de behuizing van de motor regelmatig met een vochtige doek. Gebruik niet een schurend schoonmaakmiddel of een schoonmaakmiddel op basis van een oplosmiddel.

## Na gebruik en voordat het gereedschap wordt opgeborgen

- ◆ Reinig de ventilatieopeningen regelmatig met een schone, droge verfkwas.

- ◆ Reinig het apparaat/het gereedschap/de oplader uitsluitend met een milde reinigingsoplossing en een vochtige doek. Voorkom dat vloeistof het apparaat binnendringt en dompel de onderdelen van het apparaat nooit onder in een vloeistof.
- ◆ Verwijder afval met een harde borstel.
- ◆ Smeer het mes met olie.

## Netstekker vervangen (alleen UK en Ierland)

Als er een nieuwe netstekker moet worden gemonteerd:

- ◆ Gooi de oude stekker op verantwoorde wijze weg.
- ◆ Sluit de bruine draad aan op de spanningvoerende pool van de nieuwe stekker.
- ◆ Sluit de blauwe draad aan op de neutrale pool.

**Waarschuwing!** Er moet geen verbinding tot stand worden gebracht met de aardeaansluiting. Volg de bevestigingsinstructies die bij stekkers van goede kwaliteit worden geleverd. Aanbevolen zekering: 5 A.

## Het milieu beschermen



Gescheiden afvalinzameling. Producten en accu's waarop dit symbool is aangebracht, mogen niet bij het normale huishoudafval worden weggegooid.

Producten en accu's bevatten materialen die kunnen worden teruggewonnen of gerecycled en dat doet de vraag naar grondstoffen.

Recycle elektrische producten en accu's volgens de ter plaatse geldende bepalingen. Nadere informatie is beschikbaar op [www.2helpU.com](http://www.2helpU.com).

## Technische gegevens

		PH5551
Ingangsspanning	V <sub>ac</sub>	230
Snelheid onbelast	min <sup>-1</sup>	3300
Meslengte	mm	515
Remtijd blad	s	<1
Gewicht	kg	4.1

Geluidsrukniveau volgens EN ISO 11680-1, EN ISO 3744:

Geluidsdruk (L<sub>PA</sub>) 90,3 dB(A), onzekerheid (K) 2,5 dB(A)

Geluidsvermogen (L<sub>WA</sub>) 100 dB(A), onzekerheid (K) 2,5 dB(A)

Totale trillingwaarden (som triaxvector) volgens EN 60745:

Het knippen van onlangs geveld zachthout (a<sub>h,w</sub>) = 1,792 ml/s<sup>2</sup>, onzekerheid (K) 1,5 ml/s<sup>2</sup>

**EG conformiteitsverklaring**

RICHTLIJN VOOR MACHINES

**PH5551 Verlengde heggenschaar**

Black & Decker verklaart dat deze producten, die zijn beschreven onder 'Technische gegevens', voldoen aan:

2006/42/EC en EN 60745-1:2009+A11,  
EN ISO 10517:2009+A1

Akoestisch vermogen, volgens 2000/14/EG

(Artikel 13, bijlage III):

LWA (gemeten geluidsvermogen) 97,2 dB(A)

Onzekerheid = 2,5 dB(A)

LWA (gegarandeerd geluidsvermogen) 100 dB(A)

Deze producten voldoen tevens aan richtlijn  
2004/108/EC (tot 19-04-2016) 2014/30/EU (vanaf 20-04-2016)  
en 2011/65/EU.

Neem voor meer informatie contact op met Black & Decker  
op het volgende adres of raadpleeg de achterzijde van de  
handleiding.

Ondergetekende is verantwoordelijk voor de samenstelling  
van het technische bestand en legt deze verklaring af namens  
Black & Decker.

R. Laverick  
Technisch Directeur  
Black & Decker Europe, 210 Bath Road, Slough,  
Berkshire, SL1 3YD  
Verenigd Koninkrijk  
11-12-2015

**Garantie**

Black & Decker heeft vertrouwen in zijn producten en biedt consumenten een garantie van 24 maanden vanaf de datum van aankoop. Deze garantie vormt een aanvulling op uw wettelijke rechten en beperken deze niet. De garantie is geldig op het grondgebied van de Lidstaten van de Europese Unie en de Europese Vrijhandelszone.

Voor een garantie-aanspraak moet uw aanspraak in overeenstemming zijn met de Voorwaarden en Condities van Black & Decker en moet u een bewijs van aankoop overleggen aan de verkoper of aan een geautoriseerde reparatiemonteur. Voorwaarden en condities van de 2-jarige garantie van Black & Decker en het adres van de vestiging van het geautoriseerde reparatiecentrum bij u in de buurt, kunt u vinden op internet op [www.2helpU.com](http://www.2helpU.com) of door contact op te nemen met het Black & Decker-kantoor ter plaatse, op het adres dat in deze handleiding wordt vermeld.

Ga naar onze website [www.blackanddecker.co.uk](http://www.blackanddecker.co.uk), register uw nieuwe product van Black & Decker en ontvang informatie over nieuwe producten en speciale aanbiedingen.

## Uso previsto

El cortasetos de altura BLACK+DECKER PH5551 ha sido diseñado para cortar setos, arbustos y zarzas. Esta herramienta ha sido concebida únicamente para uso doméstico.

## Instrucciones de seguridad

### Advertencias de seguridad generales para herramientas eléctricas



**Advertencia.** Lea todas las advertencias de seguridad y todas las instrucciones. En caso de no atenderse a las siguientes advertencias e instrucciones de seguridad, podría producirse una descarga eléctrica, incendio o lesión grave.

**Guarde todas las advertencias e instrucciones para futuras consultas.** El término "herramienta eléctrica" que aparece en las advertencias se refiere a la herramienta eléctrica que funciona a través de la red eléctrica (con cable) o a la herramienta eléctrica que funciona con batería (sin cable).

#### 1. Seguridad del área de trabajo

- a. **Mantenga limpia y bien iluminada el área de trabajo.** Las áreas de desorden u oscuras pueden provocar accidentes.
- b. **No utilice herramientas eléctricas en entornos con peligro de explosión, como aquellos en los que haya líquidos, gases o material en polvo inflamables.** Las herramientas eléctricas originan chispas que pueden inflamar el polvo o los gases.
- c. **Mantenga alejados a los niños y otras personas del área de trabajo cuando utilice una herramienta eléctrica.** Las distracciones pueden ocasionar que pierda el control.

#### 2. Seguridad eléctrica

- a. **El enchufe de la herramienta eléctrica debe corresponder a la toma de corriente. No modifique nunca el enchufe de ninguna forma. No utilice ningún enchufe adaptador con las herramientas eléctricas conectadas a tierra.** Los enchufes no modificados y las tomas de corriente correspondientes reducirán el riesgo de descarga eléctrica.
- b. **Evite que su cuerpo toque partes conectadas a tierra como tuberías, radiadores, cocinas y refrigeradores.** Existe un mayor riesgo de descarga eléctrica si su propio cuerpo está conectado a tierra.
- c. **No exponga las herramientas eléctricas a la lluvia y evite que penetren líquidos en su interior.** Si entra agua a una herramienta eléctrica aumentará el riesgo de descarga eléctrica.

- d. **Cuide el cable de alimentación. No use nunca el cable para transportar, tirar de la herramienta eléctrica o desenchufarla. Mantenga el cable alejado del calor, aceite, bordes afilados y piezas en movimiento.** Los cables dañados o enredados aumentan el riesgo de descarga eléctrica.
- e. **Al trabajar con la herramienta eléctrica en la intemperie utilice solamente cables de prolongación homologados para su uso en exteriores.** La utilización de un cable adecuado para el uso en exteriores reduce el riesgo de descarga eléctrica.
- f. **Si la utilización de una herramienta eléctrica en un lugar húmedo es inevitable, utilice una fuente protegida con un dispositivo de corriente residual (RCD).** El uso de un dispositivo de corriente residual reduce el riesgo de descarga eléctrica.

#### 3. Seguridad personal

- a. **Esté atento a lo que hace y emplee la herramienta eléctrica con prudencia. No maneje una herramienta eléctrica cuando esté cansado o bajo los efectos de drogas, medicamentos o alcohol.** Un momento de falta de atención cuando se manejan las herramientas eléctricas puede ocasionar lesiones personales graves.
- b. **Utilice un equipo de protección personal. Utilice siempre protección ocular.** El uso del equipo protector como mascarillas antipolvo, calzado antideslizante, casco o protección auditiva para condiciones apropiadas reducirá las lesiones personales.
- c. **Impida que la herramienta se ponga en marcha accidentalmente. Asegúrese de que el interruptor se encuentre en la posición de apagado antes de conectar la herramienta a la fuente de alimentación o a la batería, o de coger o transportar la herramienta.** Transportar herramientas eléctricas con el dedo puesto en el interruptor o herramientas eléctricas activadoras que tengan el interruptor encendido puede provocar accidentes.
- d. **Retire las herramientas de ajuste o llaves fijas antes de encender la herramienta eléctrica.** Dejar una llave inglesa u otra llave puesta en una pieza en movimiento de la herramienta eléctrica puede ocasionar lesiones personales.
- e. **Sea precavido. Mantenga un equilibrio adecuado y la estabilidad constantemente.** Esto permite un mejor control de la herramienta eléctrica en situaciones inesperadas.
- f. **Lleve puesta una vestimenta de trabajo adecuada. No se ponga ropa suelta o joyas. Mantenga el cabello, la ropa y los guantes alejados de las piezas en movimiento.** La ropa suelta, las joyas y el pelo largo pueden quedar atrapados en las piezas en movimiento.

**g. Siempre que sea posible utilizar unos equipos de aspiración o captación de polvo, asegúrese de que estén montados y se utilicen correctamente.** El uso de equipo de recogida de polvo puede reducir los riesgos relacionados con el polvo.

**4. Uso y cuidado de herramientas eléctricas**

**a. No sobrecargue la herramienta eléctrica. Use la herramienta eléctrica correcta para su trabajo.** La herramienta eléctrica correcta funcionará mejor y con mayor seguridad si se utiliza de acuerdo con sus características técnicas.

**b. No utilice herramientas eléctricas con un interruptor defectuoso.** Toda herramienta eléctrica que no pueda controlarse con el interruptor es peligrosa y debe ser reparada.

**c. Desconecte el conector de la herramienta eléctrica de la fuente de alimentación y la batería antes de realizar cualquier ajuste, cambiar accesorios o guardar la herramienta.** Dichas medidas de seguridad preventivas reducen el riesgo de poner en marcha accidentalmente la herramienta eléctrica.

**d. Guarde las herramientas eléctricas fuera del alcance de los niños y no permita que la utilicen las personas no familiarizadas con su uso o con estas instrucciones.** Las herramientas eléctricas son peligrosas en manos de personas no capacitadas.

**e. Realice el mantenimiento de sus herramientas eléctricas. Controle si funcionan correctamente, sin atascarse, las partes móviles de la herramienta eléctrica, y si existen partes rotas o deterioradas que pudieran afectar al funcionamiento de la herramienta. Si la herramienta eléctrica está dañada, llévela para que sea reparada antes de utilizarla.** Se ocasionan muchos accidentes por el mal mantenimiento de las herramientas eléctricas.

**f. Mantenga las herramientas de corte limpias y afiladas.** Hay menos probabilidad de que las herramientas de cortar con bordes afilados se bloqueen, y son más fáciles de controlar.

**g. Utilice la herramienta eléctrica, los accesorios, los útiles de la herramienta, etc. de acuerdo con estas instrucciones, y tenga en cuenta las condiciones de trabajo y la tarea que va a realizar.** El uso de la herramienta eléctrica para operaciones que no sean las previstas puede ocasionar una situación peligrosa.

**5. Servicio**

**a. Haga reparar las herramientas eléctricas solo por personal técnico autorizado que emplee exclusivamente piezas de repuesto originales.** Así se asegurará que se mantenga la seguridad de la herramienta eléctrica.



**Advertencia. Advertencias de seguridad adicionales para cortasetos de altura.**

En este manual de instrucciones se describe el uso previsto. No utilice esta herramienta para fines no previstos; por ejemplo, no la utilice para talar árboles. El uso de accesorios o acoplamientos o la realización de cualquier operación con esta herramienta que sean distintos de los recomendados en este manual de instrucciones puede dar lugar a lesiones personales.

- ◆ Aferre la herramienta por las superficies de agarre aisladas cuando realice una operación de corte en que la herramienta pueda entrar en contacto con cables ocultos o con su propio cable. El contacto con un cable "con tensión" hará que las piezas metálicas expuestas de la herramienta eléctrica „se carguen" produciendo una descarga eléctrica al operador.
- ◆ Mantenga todas las partes del cuerpo alejadas de la cuchilla de corte. No retire el material de corte ni sujete el material que va a cortar mientras las cuchillas se encuentren en movimiento. Compruebe que el interruptor esté apagado cuando limpie un atasco de material. Un momento de distracción durante el uso de la herramienta puede causar lesiones personales graves.
- ◆ Transporte el cortasetos por la empuñadura con la cuchilla de corte apagada. Cuando transporte o guarde el cortasetos, coloque siempre la vaina cubre cuchillas. La manipulación correcta del cortasetos reducirá posibles lesiones personales producidas por las cuchillas de corte.
- ◆ Mantenga el cable alejado de la zona de corte. Durante el funcionamiento, el cable puede quedar oculto entre los arbustos y las cuchillas podrían cortarlo accidentalmente.
- ◆ En este manual de instrucciones se describe el uso previsto. La utilización de accesorios o acoplamientos o realizar cualquier operación con la herramienta distinta a las recomendadas en este manual de instrucciones, puede representar un riesgo de lesiones personales y/o daños materiales.
- ◆ No transporte la herramienta apoyando las manos en la empuñadura delantera, en el interruptor o en el interruptor de disparo, salvo que la máquina esté desenchufada de la fuente de alimentación.
- ◆ Si nunca ha utilizado antes un cortasetos, es preferible que solicite instrucciones prácticas a un usuario experto, además de leer este manual.
- ◆ Nunca toque las cuchillas mientras la herramienta esté en funcionamiento.
- ◆ Nunca intente forzar las cuchillas para que se detengan.
- ◆ No suelte la herramienta hasta que las cuchillas se hayan detenido por completo.
- ◆ Compruebe con regularidad que las cuchillas no estén dañadas o gastadas.

No utilice la herramienta si las cuchillas están dañadas.

- ◆ Procure evitar los objetos duros (por ejemplo, alambres o verjas) durante las operaciones de corte. Si golpea accidentalmente tales objetos, apague inmediatamente la herramienta y compruebe que no tenga daños.
- ◆ Si el aparato comienza a vibrar de manera anormal, apáguelo inmediatamente y compruebe que no tenga daños.
- ◆ Si la herramienta se para, apáguela inmediatamente. Desconéctela del suministro de corriente antes de intentar eliminar cualquier obstrucción.
- ◆ Después de utilizar la herramienta, coloque la vaina de la cuchilla suministrada sobre las cuchillas. Cuando guarde la herramienta, asegúrese de que la cuchilla no quede descubierta.
- ◆ Asegúrese siempre de que todos los protectores estén colocados cuando utilice la herramienta. Nunca intente utilizar una herramienta que no esté completamente montada o con modificaciones no autorizadas.
- ◆ Nunca permita que los niños utilicen la herramienta.
- ◆ Tenga cuidado con los restos que caen al cortar las partes altas de un seto.
- ◆ Sujete siempre la herramienta con ambas manos por las empuñaduras correspondientes.

### Seguridad de terceros

- ◆ Nunca permita que los niños ni las personas con capacidades físicas, sensoriales o mentales disminuidas; que carezcan de experiencia y conocimientos, o que no estén familiarizadas con estas instrucciones utilicen la máquina. Las normas locales pueden restringir la edad del operador.
- ◆ No utilice el aparato mientras haya personas, especialmente niños, o animales cerca.

### Vibración

Los valores de emisión de vibraciones declarados en el apartado de características técnicas y en la declaración de conformidad se han calculado según un método de prueba estándar proporcionado por la norma EN50636 y pueden utilizarse para comparar una herramienta con otra. El valor de emisión de vibraciones especificado también puede utilizarse en una evaluación preliminar de la exposición.

**Advertencia!** El valor de emisión de vibraciones durante el funcionamiento real de la herramienta eléctrica puede diferir del valor declarado en función de cómo se utilice dicha herramienta. El nivel de las vibraciones puede aumentar por encima del nivel declarado. Al evaluar la exposición a las vibraciones con el fin de determinar las medidas de seguridad que exige la norma 2002/44/CE para proteger a las personas que utilizan periódicamente herramientas eléctricas en el entorno laboral, deberá tenerse en cuenta una estimación de

la exposición a las vibraciones, las condiciones de uso reales y el modo de empleo de la herramienta, así como los pasos del ciclo operativo como, por ejemplo, el número de veces que la herramienta se apaga, el tiempo que está parada y el tiempo de activación.

### Riesgos residuales.

El uso de esta herramienta puede producir riesgos residuales adicionales no incluidos en las advertencias de seguridad adjuntas. Estos riesgos se pueden generar por un uso incorrecto, demasiado prolongado, etc.

El cumplimiento de las normas de seguridad correspondientes y el uso de dispositivos de seguridad no evitan ciertos riesgos residuales. Esto incluye:

- ◆ Lesiones producidas por el contacto con piezas móviles o giratorias.
- ◆ Lesiones producidas al cambiar cualquier pieza, cuchilla o accesorio.
- ◆ Lesiones producidas al usar una herramienta por un tiempo demasiado prolongado. Si utiliza una herramienta durante períodos de tiempo demasiado prolongados, asegúrese de realizar pausas con frecuencia.
- ◆ Deterioro auditivo.
- ◆ Riesgos para la salud producidos al respirar el polvo que se genera cuando se utiliza la herramienta (ejemplo: en los trabajos con madera, especialmente si son de roble, haya y tableros de densidad mediana).

### Símbolos de advertencia

Los siguientes símbolos de advertencia se muestran junto al código en la herramienta:



**Advertencia.** Para reducir el riesgo de lesiones, el usuario debe leer el manual de instrucciones.



No utilice la herramienta en entornos húmedos ni la esponja a la lluvia ni a la humedad excesiva.



Utilice siempre protección ocular.



Utilice protección para los oídos en todo momento.



Lleve calzado de seguridad antideslizante.



Tenga cuidado con los objetos que puedan caerse.





Mantenga alejadas a otras personas. Los niños siempre deben mantenerse alejados del lugar en que se utiliza el cortasetos de altura.



Peligro de electrocución. Manténgase a una distancia mínima de 10 m de las líneas de teléfono o de tendido eléctrico.



Desconecte el aparato de la red de suministro inmediatamente si el cable de alimentación se daña.



Directiva 2000/14/CE sobre la potencia acústica garantizada.

## Seguridad eléctrica



Esta herramienta lleva un doble aislamiento; por lo tanto, no requiere una toma de tierra. Compruebe siempre que el voltaje suministrado corresponda al indicado en la placa de características.

- Si se daña el cable de alimentación, deberá ser sustituido por el fabricante o un centro de servicio técnico autorizado de BLACK+DECKER, para evitar riesgos.

## Uso de un cable de prolongación

- Utilice siempre un cable de prolongación aprobado que sea adecuado para la entrada de corriente de esta herramienta (consulte la ficha técnica). El cable de prolongación debe ser adecuado para su uso en exteriores y presentar las indicaciones oportunas. Se puede utilizar un cable de prolongación HO7RN-F 2 X de 1.5 mm<sup>2</sup> y de hasta 30 m sin pérdida de rendimiento del producto. Antes de utilizar el cable de prolongación, compruebe que no está dañado, gastado o deteriorado. Si está dañado o defectuoso, sustitúyalo. Si utiliza un carrete de cable, desenrolle siempre el cable completamente.

## Caídas de tensión

- En determinadas condiciones de suministro de alimentación, es posible que este producto provoque caídas de tensión de corta duración durante el arranque.
- Es posible que otros equipos se vean afectados. Por ejemplo, es posible que la intensidad de las luces eléctricas se vea reducida temporalmente.
- Si fuera necesario, póngase en contacto con su suministrador de energía para determinar si la impedancia de la fuente de alimentación es inferior a 0.411 ohmios.

En esta situación, es poco probable que se produzcan perturbaciones.

## Protéjase contra las descargas eléctricas

- Evite el contacto del cuerpo con superficies conectadas a masa o tierra (p. ej., verjas metálicas, farolas, etc.). Se puede incrementar la seguridad eléctrica utilizando un dispositivo de corriente residual (RCD) de alta sensibilidad (30 mA/30 mS).

## Características

Esta herramienta incluye parte o la totalidad de estas características.

- Cuchilla cortasetos
- Ranuras de ventilación
- Botón de ajuste de ángulo de bloqueo
- Soporte cabezal cortasetos
- Manguito de bloqueo (superior)
- Asta de extensión
- Manguito de bloqueo (inferior)
- Arnés
- Abrazadera de sujeción
- Agarre del asta
- Botón de bloqueo
- Interruptor de encendido/apagado
- Empuñadura principal
- Cable de alimentación
- Aliviador de tensión del cable
- Protector de seguridad trasero
- Funda

## Ensamblaje



**Advertencia.** Antes de proceder al montaje, compruebe que el aparato está apagado y desenchufado.



**Advertencia.** Utilice siempre guantes de protección cuando manipule la podadora de altura.



**Advertencia.** Este producto debe estar totalmente montado antes de utilizarlo. No utilice el producto si está parcialmente montado o si está ensamblado con piezas dañadas.

- La podadora de altura debe estar totalmente ensamblada dentro del embalaje cuando se la entregan.
- Extraer la vaina (17) de la cuchilla (1) antes del uso.

## Encendido (Fig. A)

- Compruebe que la cuchilla de la podadora de altura (1) no toque ningún objeto.
- Pulse el botón de bloqueo (10) y manténgalo en esa posición.

- ◆ Pulse el botón de encendido/apagado (11) para encender el producto.

### Apagado

- ◆ Suelte el interruptor de encendido/apagado (11).

**Advertencia.** No intente nunca trabar un interruptor en la posición de encendido.

### Extensión de la podadora de altura (Fig. B)

- ◆ Afloje el manguito de bloqueo inferior (7).
- ◆ Empuje el asta (9) y el asta de extensión (6) una hacia otra para replegarlas, o hacia fuera para extenderlas.
- ◆ Apriete el manguito de bloqueo (7) una vez que haya obtenido la longitud deseada.

**Advertencia.** Compruebe periódicamente las conexiones para asegurarse de que se encuentren firmemente apretadas.

**Advertencia.** La longitud del asta de extensión es limitada. Deje de empujar/tirar tan pronto como note una resistencia. Extiéndala solo

hasta la longitud necesaria para alcanzar los setos que debe recortar. No intente usar el producto con una longitud que no le permita conseguir y mantener un correcto equilibrio.

### Ajuste de ángulo (Fig. C)

- ◆ Apriete el botón de bloqueo (3) del cabezal del cortasetos mientras lo ajusta.
- ◆ Compruebe que el botón de bloqueo (3) quede encajado en su posición.

**Advertencia.** El cabezal puede ajustarse en tres ángulos diferentes. Compruebe siempre que el cabezal esté bien bloqueado. No intente usar el producto si tiene el cabezal en cualquier otra posición o está desbloqueado.

### Uso

**Advertencia.** Deje que la herramienta funcione a su ritmo. No la sobrecargue.

### Corte (Figs. D, E, F y G)

- ◆ Ajuste el asta en la longitud que desee.
- ◆ Corte y extraiga las ramas que excedan la capacidad de corte del producto usando una podadora manual antes de efectuar cualquier operación.

**Nota:** Atorar la cuchilla con ramas grandes puede causar daños.

- ◆ Sostenga siempre el producto firmemente con ambas manos por las superficies de agarre y por las empuñaduras. Nunca haga funcionar este producto usando una sola mano.

**Nota:** Trate de mantener las cuchillas a un ángulo de aproximadamente 15° respecto de la superficie de corte (Fig D).

- ◆ Corte ambos lados desde el fondo cortando hacia arriba, esto evitará que cualquier de las recortes caiga en el camino o la zona que todavía no ha cortado.
- ◆ Después de cortar los lados proceda hacia arriba.
- ◆ Cuando corte setos anchos con la zona de corte a la vista, mueva la cuchilla de corte suavemente a través de la superficie de corte con un movimiento de barrido, siguiendo la forma del seto o arbusto. El corte óptimo se consigue inclinando ligeramente hacia abajo la cuchilla de corte en dirección del movimiento, siguiendo la dirección del movimiento.
- ◆ Mueva el cortasetos lentamente hacia adelante cuando corte una zona que no está a la vista.
- ◆ No se apresure y no intente cortar demasiado con un impulso de la cuchilla de la sierra.
- ◆ Corte en etapas si la zona que debe cortar es particularmente larga, para obtener un mejor resultado.
- ◆ Para obtener un corte muy recto, extienda un trozo de cuerda a lo largo del seto a la altura que desee. Utilice la cuerda como guía y realice el corte justo por encima (Fig. E).
- ◆ Para obtener lados planos, corte hacia arriba en la dirección de crecimiento. Los tallos más nuevos saltan hacia arriba cuando con la cuchilla se corta hacia abajo, dejando parches superficiales en el seto (Fig. E).
- ◆ Procure evitar los objetos extraños. Evite especialmente los objetos duros tales como hilos metálicos y verjas, pues pueden dañar las cuchillas.
- ◆ Lubrique las hojas periódicamente.

### Instrucciones de corte (Reino Unido e Irlanda)

- ◆ Corte setos y arbustos con hojas caducas (que producen hoja nueva cada año) en junio y en octubre.
- ◆ Corte árboles o plantas de hoja perenne en abril y en agosto.
- ◆ Corte coníferas y otros arbustos de rápido crecimiento cada seis semanas de mayo a octubre.

### Instrucciones de corte (Australia y Nueva Zelanda)

- ◆ Corte setos y arbustos con hojas caducas (que producen hoja nueva cada año) en diciembre y en marzo.
- ◆ Corte árboles o plantas de hoja perenne en septiembre y en febrero.
- ◆ Corte coníferas y otros arbustos de rápido crecimiento cada seis semanas de octubre a marzo.

## Limpieza, mantenimiento y almacenamiento

Su aparato o herramienta con o sin cable de BLACK+DECKER ha sido diseñada para funcionar durante un largo período de tiempo con un mantenimiento mínimo. El funcionamiento satisfactorio y continuo depende del buen cuidado de la herramienta y de una limpieza frecuente.

**Advertencia.** Antes de realizar el mantenimiento de herramientas eléctricas con o sin cables:

- ◆ Apague y desenchufe el aparato o herramienta.
- ◆ O bien, apague y extraiga las pilas o la batería del aparato o herramienta, en caso de que disponga de una batería separada.
- ◆ O bien, deje que la batería se agote por completo si es integral y, a continuación, apague el aparato.

Limpie periódicamente las ranuras de ventilación de la herramienta, aparato o cargador con un cepillo suave o un paño seco.

Limpie periódicamente la carcasa del motor con un paño húmedo. No utilice limpiadores de base abrasiva ni disolventes.

- ◆ Limpie periódicamente las ranuras de ventilación de la herramienta, aparato o cargador con un cepillo suave o un paño seco.
- ◆ Limpie periódicamente la carcasa del motor con un paño húmedo. No utilice limpiadores de base abrasiva ni disolventes.

## Después de su utilización y antes del almacenamiento

- ◆ Limpie periódicamente las ranuras de ventilación con un cepillo limpio y seco.
- ◆ Para limpiar el aparato, la herramienta o el cargador, utilice únicamente un jabón suave y un paño húmedo. No permita que penetre ningún líquido en el interior y nunca sumerja ninguna de sus piezas en un líquido.
- ◆ Extraiga los restos de suciedad con la ayuda de un cepillo de cerdas duras.
- ◆ Lubrique la cuchilla con aceite.

## Sustitución del enchufe de red (solo para el Reino Unido e Irlanda)

Si debe ajustarse un nuevo enchufe de red:

- ◆ Elimine el enchufe anterior de forma segura.
- ◆ Conecte el cable marrón al terminal conductor del nuevo enchufe.
- ◆ Conecte el cable azul al terminal neutro.

**Advertencia.** No deberá realizar ninguna conexión al terminal de tierra. Siga las instrucciones de ajuste suministradas con las tomas de buena calidad. Fusible recomendado: 5 A.

## Protección del medio ambiente



Recogida selectiva. Los productos y las baterías marcadas con este símbolo no se deben eliminar con los residuos domésticos normales.

Los productos y las baterías que contienen materiales que se puedan recuperar o reciclar reducen la demanda de materias primas.

Recicle los productos eléctricos y las baterías de conformidad con la normativa local. Puede obtener más información en [www.2helpU.com](http://www.2helpU.com).

## Datos técnicos

		PH5551
Voltaje de entrada	V <sub>ca</sub>	230
Velocidad en vacío	min <sup>-1</sup>	3300
Longitud de las cuchillas	mm	515
Tiempo de frenado de la cuchilla	s	<1
Peso	Kg	4.1

Nivel de presión acústica de acuerdo con las normas EN ISO 11680-1 y EN ISO 3744:

Presión acústica (L<sub>PA</sub>) 90,3 dB(A), incertidumbre (K) 2,5 dB(A)

Potencia acústica (L<sub>WA</sub>) 100 dB(A), incertidumbre (K) 2,5 dB(A)

Valores totales de las vibraciones (suma de vectores teniendo en cuenta los tres ejes) de acuerdo con la norma EN 60745:

Corte de madera blanda recién cortada (a<sub>h,w</sub>) = 1.792 m/s<sup>2</sup>, incertidumbre (K) 1,5 m/s<sup>2</sup>

## Declaración de conformidad CE

DIRECTIVA DE MÁQUINAS



### Cortasetos de altura PH5551

Black & Decker declara que los productos descritos en la „ficha técnica“ cumplen con las siguientes directivas:

2006/42/CE y EN 60745-1:2009+A11,  
EN ISO 10517:2009+A1

Nivel de potencia acústica de acuerdo con la directiva  
2000/14/CE

(Artículo 13, Anexo III):

LWA (potencia acústica medida) 97,2 dB(A)

Incertidumbre = 2,5 dB(A)

LWA (potencia acústica garantizada) 100 dB(A)

Estos productos también cumplen con la Directiva 2004/108/CE (hasta 19/04/2016) 2014/30/EU (desde 20/04/2016) y 2011/65/EU.

Si desea obtener más información, póngase en contacto con Black & Decker a través de la siguiente dirección o consulte la contracubierta del manual.

El abajo firmante es responsable de la elaboración del expediente técnico y realiza esta declaración en nombre de Black & Decker.



R. Laverick

Director de Ingeniería

Black & Decker Europa, 210 Bath Road, Slough,  
Berkshire, SL1 3YD  
Reino Unido  
11/12/2015

## Garantía

Black & Decker confía en la calidad de sus productos y ofrece a los consumidores una garantía de 24 meses a partir de la fecha

de compra. Esta garantía es adicional a sus derechos legales y no los menoscaba en modo alguno. La garantía es válida dentro de los territorios de los Estados Miembros de la Unión Europea y del Área de Libre Comercio Europea.

Para reclamar la garantía, la reclamación se debe presentar de conformidad con las condiciones de Black & Decker. Tendrá que adjuntar un justificante de compra al vendedor o al agente técnico autorizado. Las condiciones de la garantía de 2 años de Black & Decker y la ubicación de su agente técnico autorizado más cercano se pueden obtener en Internet en [www.2helpU.com](http://www.2helpU.com) o

poniéndose en contacto con su oficina local de Black & Decker en la dirección que se indica en este manual.

Visite nuestro sitio web [www.blackanddecker.co.uk](http://www.blackanddecker.co.uk) y registre su nuevo producto Black & Decker para mantenerse al día sobre los nuevos productos y las ofertas especiales.

## Utilização pretendida

O corta-sebes com mastro PH5551 BLACK+DECKER foi concebido para aparar/podar sebes, arbustos e rubos. Esta ferramenta destina-se apenas para utilização doméstica.

## Instruções de segurança

### Avisos de segurança gerais para ferramentas eléctricas



**Atenção!** Leia todos os avisos de segurança e todas as instruções. O não cumprimento dos seguintes avisos e instruções pode resultar em choque eléctrico, incêndio e/ou graves lesões.

**Guarde todos os avisos e instruções para futura referência.** A expressão "ferramenta eléctrica" utilizada nos avisos refere-se à sua ferramenta eléctrica com ligação à corrente eléctrica (com cabo) ou com bateria (sem fios).

### 1. Segurança na área de trabalho

- a. **Mantenha a área de trabalho limpa e bem iluminada.** As áreas desorganizadas ou escuras são propensas a acidentes.
- b. **Não trabalhe com ferramentas eléctricas em áreas com risco de explosão, nas quais se encontrem líquidos, gases ou poeiras inflamáveis.** As ferramentas eléctricas criam faíscas que poderão inflamar estas poeiras ou vapores.
- c. **Mantenha crianças e outras pessoas afastadas durante a utilização da ferramenta eléctrica.** As distrações podem levar à perda do controlo da ferramenta.

### 2. Segurança eléctrica

- a. **As fichas da ferramenta eléctrica devem caber na tomada. Nunca modifique a ficha de forma alguma. Não utilize fichas adaptadoras com ferramentas eléctricas ligadas à terra.** As fichas não modificadas e as tomadas compatíveis reduzem o risco de choque eléctrico.
- b. **Evite que o corpo entre em contacto com superfícies ligadas à terra, como tubos, radiadores, fogões e frigoríficos.** Se o seu corpo estiver "ligado" à terra, o risco de choque eléctrico é maior.
- c. **As ferramentas eléctricas não podem ser expostas a chuva nem humidade.** A entrada de água numa ferramenta eléctrica aumenta o risco de choque eléctrico.
- d. **Manuseie o cabo com cuidado. Nunca o utilize para transportar, puxar ou desligar a ferramenta eléctrica. Mantenha o cabo afastado de fontes de calor, substâncias oleosas, extremidades aguçadas ou peças móveis.** Os cabos danificados ou emaranhados aumentam o risco de choque eléctrico.

**e. Quando trabalhar com uma ferramenta eléctrica ao ar livre, utilize um cabo de extensão apropriado para esse fim.**

A utilização de um cabo adequado para uso ao ar livre reduz o risco de choque eléctrico.

**f. Se for inevitável trabalhar com uma ferramenta eléctrica num local húmido, utilize um dispositivo de corrente residual (RCD).**

A utilização de um DCR reduz o risco de choque eléctrico.

### 3. Segurança pessoal

**a. Mantenha-se atento, observe o que está a fazer e seja prudente quando trabalhar com a ferramenta eléctrica.**

**Não utilize uma ferramenta eléctrica quando estiver cansado ou sob o efeito de drogas, álcool ou medicamentos.** Um momento de distração durante a utilização de ferramentas eléctricas poderá resultar em ferimentos graves.

**b. Utilize equipamento de protecção pessoal. Use sempre uma protecção ocular.**

O equipamento de protecção, como, por exemplo, uma máscara contra o pó, sapatos de segurança antiderrapantes, um capacete de segurança ou uma protecção auditiva, usado nas condições apropriadas, reduz o risco de ferimentos.

**c. Evite arranques involuntários. Certifique-se de que o botão está desligado antes de ligar a ferramenta à corrente eléctrica e/ou à bateria, e antes de pegar ou transportar a ferramenta.**

Se mantiver o dedo sobre o interruptor ao transportar ferramentas eléctricas ou se as ligar à fonte de alimentação com o interruptor ligado, poderá dar origem a acidentes.

**d. Retire eventuais chaves de ajuste ou chaves de fendas antes de ligar a ferramenta eléctrica.**

Uma chave de fenda ou de ajuste que se encontre numa peça em rotação da ferramenta eléctrica poderá causar lesões.

**e. Não tente chegar a pontos fora do alcance. Mantenha sempre os pés bem apoiados e um equilíbrio apropriado.**

Desta forma, será mais fácil controlar a ferramenta eléctrica em situações inesperadas.

**f. Use vestuário adequado. Não use roupa larga nem jóias. Mantenha o cabelo, a roupa e as luvas afastados das peças móveis.** As roupas largas, as jóias ou o cabelo comprido podem ficar presos nestas peças.

**g. Se for prevista a montagem de dispositivos de extracção e recolha de poeiras, assegure-se de que estão ligados e que são utilizados de forma correcta.**

A utilização de dispositivos de extracção de partículas pode reduzir os riscos relacionados com as mesmas.

### 4. Utilização e manutenção da ferramenta eléctrica

**a. Não sobrecarregue a ferramenta eléctrica. Utilize a ferramenta eléctrica correcta para o seu trabalho.**

A ferramenta eléctrica adequada irá efectuar o trabalho de um modo mais eficiente e seguro se for utilizada de acordo com a capacidade para a qual foi concebida.

**b. Não utilize a ferramenta eléctrica se o interruptor não puder ser ligado nem desligado.** Qualquer ferramenta eléctrica que não possa ser controlada através do interruptor de alimentação é perigosa e tem de ser reparada.

**c. Desligue a ficha da tomada e/ou a bateria da ferramenta eléctrica antes de proceder a ajustes, trocar acessórios ou guardar ferramentas eléctricas.** Estas medidas de segurança preventivas reduzem o risco de ligar a ferramenta eléctrica acidentalmente.

**d. Mantenha as ferramentas eléctricas que não estiverem a ser utilizadas fora do alcance das crianças. Não permita que a ferramenta eléctrica seja utilizada por pessoas não familiarizadas com a mesma ou que não tenham lido estas instruções.** As ferramentas eléctricas são perigosas nas mãos de pessoas que não possuam as qualificações necessárias para as manusear.

**e. Proceda à manutenção das ferramentas eléctricas.**

**Verifique se as partes móveis estão desalinhasadas ou bloqueadas, se existem peças partidas ou qualquer outra situação que possa afectar o funcionamento das ferramentas eléctricas. Se a ferramenta eléctrica estiver danificada, esta não deve ser utilizada até que seja reparada.** Muitos acidentes têm como principal causa ferramentas eléctricas com uma manutenção insuficiente.

**f. Mantenha as ferramentas de corte afiadas e limpas.** As ferramentas de corte sujeitas a uma manutenção adequada, com arestas de corte afiadas, emperram com menos frequência e controlam-se com maior facilidade.

**g. Utilize a ferramenta eléctrica, os acessórios e as peças de ferramenta, etc., de acordo com estas instruções, considerando as condições de trabalho e a tarefa a ser executada.** A utilização da ferramenta eléctrica para fins diferentes dos previstos poderá resultar em situações perigosas.

### 5. Assistência

**a. A sua ferramenta eléctrica só deve ser reparada por pessoal qualificado e só devem ser colocadas peças sobressalentes originais.** Desta forma, é garantida a segurança da ferramenta eléctrica.



**Atenção! Avisos de segurança adicionais para corta-sebes com mastro**

A utilização adequada é descrita neste manual de instruções. Não utilize a ferramenta para outros fins que não os indicados. Por exemplo, não utilize a ferramenta para cortar árvores.

O uso de qualquer acessório ou o desempenho de qualquer operação com esta ferramenta, que não seja o recomendado neste manual de instruções, pode constituir um risco em termos de ferimentos.

- ◆ Segure a ferramenta eléctrica pelas pegas isoladas quando efectuar uma operação em que a ferramenta de corte possa entrar em contacto com fios escondidos ou o próprio cabo. O contacto com um fio sob tensão também fará com que as peças metálicas expostas da ferramenta eléctrica fiquem sob tensão e causar um choque eléctrico no operador.
- ◆ Mantenha todas as partes do corpo afastadas da lâmina de corte. Não remova o material cortado ou material a ser cortado quando as lâminas estiverem em movimento. Certifique-se de que o interruptor está desligado quando retirar material encravado. Um momento de falta de atenção durante a utilização da ferramenta poderá causar ferimentos graves.
- ◆ Transporte o corta-sebes pelo punho com a lâmina de corte parada. Quando transportar ou armazenar o corta-sebes, coloque sempre a tampa do dispositivo de corte. O manuseamento adequado do corta-sebes reduz a probabilidade de ferimentos causados pelas lâminas do cortador.
- ◆ Mantenha o cabo afastado da área de corte. Durante o funcionamento, o cabo pode ficar escondido em arbustos e pode ser cortado acidentalmente pela lâmina.
- ◆ A utilização prevista é descrita neste manual de instruções. O uso de qualquer acessório ou o desempenho de qualquer operação com esta ferramenta, que não seja o recomendado neste manual de instruções, pode constituir um risco em termos de ferimentos e/ou danos de propriedade.
- ◆ Não transporte a ferramenta com as mãos a segurar a pega frontal, o interruptor ou o gatilho, a menos que a ferramenta tenha sido desligada da fonte de alimentação.
- ◆ Se nunca tiver utilizado um corta-sebes, consulte um utilizador experiente assim como este manual.
- ◆ Nunca toque nas lâminas enquanto a ferramenta estiver em funcionamento.
- ◆ Nunca force a imobilização das lâminas.
- ◆ Não pouse a ferramenta até que as lâminas parem completamente.
- ◆ Verifique regularmente se existem danos e desgaste nas lâminas. Não utilize a ferramenta quando as lâminas estiverem danificadas.
- ◆ Evite cortar objectos rígidos (por exemplo, cablagem de metal, calhas) quando aparar. Se tocar acidentalmente nesse tipo de objectos, desligue a ferramenta de imediato e verifique se ocorreu algum dano.
- ◆ Se a ferramenta começar a vibrar anormalmente, desligue-a de imediato e verifique se existem danos.
- ◆ Se a ferramenta encravar, desligue-a imediatamente.

Retire a ficha da fonte de alimentação antes de tentar remover qualquer obstrução.

- ◆ Depois da utilização, coloque a protecção da lâmina fornecida. Guarde a ferramenta, certificando-se de que a lâmina não está exposta.
- ◆ Certifique-se sempre de que todas as protecções estão colocadas quando utilizar a ferramenta. Nunca tente utilizar uma ferramenta não completa ou uma ferramenta com modificações não autorizadas.
- ◆ Não permita que as crianças mexam na ferramenta.
- ◆ Tenha atenção aos detritos prestes a cair quando cortar as partes mais altas de uma sebe.
- ◆ Segure sempre a ferramenta com ambas as mãos e pelas pegas fornecidas.

### Segurança de terceiros

- ◆ Não permita que crianças, pessoas com capacidade físicas, sensoriais ou mentais reduzidas ou falta de experiência ou conhecimentos ou não familiarizadas com estas instruções utilizem a máquina. Os regulamentos locais podem restringir a idade do operador.
- ◆ Nunca utilize a máquina enquanto estiverem pessoas (em especial, crianças) ou animais nas proximidades.

### Vibração

Os valores de emissão de vibração declarados na secção de dados técnicos e na declaração de conformidade foram medidos de acordo com o método de teste padrão fornecido pela EN EN50636 e podem ser utilizados para comparar ferramentas. O valor de emissão de vibração declarado pode ainda ser utilizado numa avaliação preliminar de exposição. Atenção! O valor de emissão de vibração durante a utilização real da ferramenta eléctrica pode ser diferente do valor declarado, dependendo da forma como a ferramenta é utilizada. O nível de vibração pode aumentar acima do nível indicado. Quando avaliar a exposição da vibração para determinar as medidas de segurança exigidas pela Directiva 2002/44/CE para proteger pessoas que utilizem regularmente ferramentas eléctricas na sua actividade profissional, deve ser considerada uma estimativa de exposição de vibração, as condições reais de utilização e o modo de utilização da ferramenta, incluindo ainda todas as partes do ciclo de funcionamento, como os períodos de inactividade e espera da ferramenta, para além do tempo de funcionamento.

### Riscos residuais.

Podem surgir riscos residuais adicionais durante a utilização da ferramenta, que poderão não constar nos avisos de segurança incluídos. Estes riscos podem resultar de má utilização, uso prolongado, etc.

Mesmo com o cumprimento dos regulamentos de segurança relevantes e com a implementação de dispositivos de segurança, alguns riscos residuais não podem ser evitados.

Estes incluem:

- ◆ Ferimentos causados pelo contacto com peças em rotação/movimento.
- ◆ Ferimentos causados durante a troca de peças, lâminas ou acessórios.
- ◆ Ferimentos causados pela utilização prolongada de uma ferramenta. Quando utilizar uma ferramenta durante períodos prolongados, certifique-se de que faz pausas regularmente.
- ◆ Danos auditivos.
- ◆ Problemas de saúde causados pela inalação de poeiras resultantes da utilização da ferramenta (exemplo: trabalhos em madeira, especialmente carvalho, faia e MDF.)

### Símbolos de aviso

Os seguintes símbolos de aviso, assim como o código de data, estão indicados na ferramenta:



**Atenção!** Para reduzir o risco de ferimentos, o utilizador deve ler o manual de instruções.



Não utilize a ferramenta em condições húmidas nem a exponha a chuva ou humidade elevada.



Use sempre uma protecção ocular.



Utilize sempre protecção para os ouvidos.



Utilize calçado de segurança anti-derrapante.



Tenha em atenção a possibilidade de queda de objectos.



Mantenha os transeuntes afastados. As crianças devem permanecer sempre num local afastado da utilização do corta-sebes com mastro



Perigo de electrocussão. Mantenha uma distância mínima de 10 metros relativamente às catenárias.



Desligue a ferramenta da corrente eléctrica de imediato se o cabo de alimentação sofrer danos



A potência sonora está em conformidade com a Directiva 2000/14/CE.

### Segurança eléctrica



Esta ferramenta tem isolamento duplo. Por esse motivo, não precisa de ligação à terra. Verifique sempre se a tensão da tomada de electricidade corresponde à voltagem indicada na placa com os requisitos de alimentação da ferramenta.

- ◆ Se o cabo de alimentação estiver danificado, terá de ser substituído pelo fabricante ou por um Centro de Assistência autorizado Black & Decker, de modo a evitar situações de perigo.

### Utilizar um cabo de extensão

- ◆ Utilize sempre um cabo de extensão aprovado, adequado à entrada de alimentação da ferramenta (consulte os dados técnicos). O cabo de extensão tem de ser adequado para utilização exterior, possuindo a respectiva marcação. Pode utilizar um cabo de extensão HO7RN-F 2 X de 1.5 mm<sup>2</sup> até 30 m sem perda do desempenho do produto. Antes da utilização, verifique se o cabo de extensão apresenta sinais de envelhecimento, danos ou desgaste. Substitua o cabo de extensão se este se encontrar danificado ou avariado. Ao utilizar uma bobina de cabo, desenrole sempre o cabo na íntegra.

### Quebras de tensão

- ◆ Em determinadas condições de alimentação, este produto poderá provocar quebras de tensão de curta duração durante o arranque.
- ◆ Poderão ser afectados outros equipamentos. Por exemplo, a intensidade das luzes eléctricas poderá ser temporariamente reduzida.
- ◆ Se necessário, contacte a autoridade fornecedora para determinar se a impedância da fonte de alimentação é inferior a 0,411 ohms. É pouco provável que ocorram perturbações nesta situação.

### Protecção contra choques eléctricos

- ◆ Evite o contacto do corpo com superfícies ligadas à terra (por ex., postes metálicos, candeeiros, etc.). A segurança eléctrica pode ser melhorada mediante a utilização de um Dispositivo de Corrente Residual (RCD) de alta sensibilidade (30 mA/30mS).

### Componentes

Esta ferramenta inclui algumas ou todas as características seguintes.

1. Lâmina do corta-sebes
2. Saídas de ventilação
3. Botão de ajuste do ângulo de desbloqueio
4. Suporte da parte superior do corta-sebes
5. Acoplamento de travamento (superior)



6. Extensão do mastro
7. Acoplamento de travamento (inferior)
8. Cablagem
- 8a. Clip de fixação
9. Fixação do mastro
10. Botão de desbloqueio
11. Interruptor para ligar/desligar
12. Pega principal
13. Cabo de alimentação
14. Redutor de tensão do cabo
15. Protecção traseira
16. Bainha

## Montagem



**Atenção!** Antes da montagem, certifique-se de que o aparelho se encontra desligado e de que a ficha foi retirada da tomada.



**Atenção!** Utilize sempre luvas de protecção ao trabalhar com o podador com mastro.



**Atenção!** Este produto deve ser totalmente montado antes de ser utilizado. Não utilize este produto parcialmente montado ou montado com peças danificadas.

- ◆ O podador com mastro deve ser totalmente montado na embalagem após a entrega.
- ◆ Retire a tampa da lâmina (17) da lâmina (1) antes de utilizar a ferramenta.

## Ligar (Fig. A)

- ◆ Certifique-se de que a lâmina do podador com mastro (1) não toca em qualquer objecto.
- ◆ Prima o botão de desbloqueio (10) e fixe-o na respectiva posição.
- ◆ Prima o interruptor de ligar/desligar (11) para ligar o equipamento.

## Desligar

- ◆ Liberte o interruptor de ligar/desligar (11).

**Atenção!** Nunca tente bloquear um interruptor de ligação na posição de ligado.

## Esticar o podador com mastro (Fig. B)

- ◆ Desaperte o acoplamento de travamento (7).
- ◆ Empurre o mastro (9) na direcção da extensão do mastro (6) para recolhê-lo ou afaste o mastro para abri-lo.
- ◆ Aperte o acoplamento de travamento (7) quando for atingido o comprimento pretendido.

**Atenção!** Verifique periodicamente as ligações para garantir que estão bem apertadas.

**Atenção!** O comprimento do mastro da extensão é limitado. Quando sentir resistência, pare de empurrar/puxar. Só deve abrir para o comprimento pretendido para tocar nas sebes que estejam a ser cortadas. Não tente utilizar o equipamento com um comprimento que não permita sempre um suporte e equilíbrio adequados.

## Ajuste do ângulo (Fig. C)

- ◆ Prima o botão de desbloqueio (3) da parte superior do podador quando ajustá-lo.
- ◆ Certifique-se de que o botão de desbloqueio (3) encaixa com firmeza no respectivo local.

**Atenção!** A parte superior pode ser ajustada para cinco posições diferentes. Certifique-se de que a parte superior está devidamente bloqueada. Não utilize a ferramenta com a parte superior em qualquer posição ou desbloqueada.

## Utilização

**Atenção!** Não altere o ritmo de funcionamento da ferramenta. Não sobrecarregue.

## Aparar (Fig. D, E, F, G)

- ◆ Ajuste o mastro para o comprimento pretendido.
- ◆ Corte e retire os ramos que excedam a capacidade de corte utilizando um podador antes de efectuar a operação.

**Nota:** se a lâmina ficar encravada em ramos grandes, isso pode dar origem a danos.

- ◆ Segure sempre a ferramenta com firmeza com ambas as mãos na superfície de fixação e na pega. Nunca utilize esta ferramenta com apenas uma mão.

**Nota:** Tente manter as lâminas a um ângulo de cerca de 15° em relação à superfície de corte (Fig D).

- ◆ Corte ambos de baixo para cima, isto impede que os cortes deslizem para a área que vai ser cortada.
- ◆ Após o corte lateral, avance para a parte superior.
- ◆ Quando cortar sebes largas com a área de corte visível, desloque a lâmina de corte ligeiramente através da superfície de corte num movimento circular com a forma de uma sebe ou arbusto. Uma ligeira inclinação para baixo da lâmina de corte, na direcção do movimento, é recomendado para um excelente corte.
- ◆ Aproxime o podador lentamente quando cortar uma área de difícil alcance.
- ◆ Não apresse o trabalho nem tente cortar demasiado com apenas um movimento da lâmina de corte.
- ◆ Faça o corte em várias fases se a área que pretende cortar for demasiado grande para obter um melhor resultado.
- ◆ Para obter um corte muito preciso, estique uma corda ao longo do comprimento com a altura adequada.

Utilize a corda como linha de orientação e corte exactamente acima da mesma (fig. E).

- ◆ Para obter extremidades lisas, corte de baixo para cima no sentido do crescimento. Os ramos mais recentes deslocam-se para fora quando a lâmina corta para baixo, resultando em pedaços superficiais na sebe (Fig. E).
- ◆ Evite cortar objectos estranhos. Evite especialmente objectos rígidos, como cablagem de metal e calhas, porque podem danificar as lâminas.
- ◆ Lubrifique regularmente as lâminas.

### **Linhas de orientação para aparar (Reino Unido e Irlanda)**

- ◆ Podar sebes e arbustos cobertos com folhas sazonais (novas folhas em cada ano) em Junho e Outubro.
- ◆ Podar folhas perenes (sempre-verdes) em Abril e Agosto.
- ◆ Podar coníferas e outros arbustos de crescimento rápido em cada seis meses de Maio até Outubro.

### **Linhas de orientação para podar (Austrália e Nova Zelândia)**

- ◆ Podar sebes e arbustos cobertos com folhas sazonais (novas folhas em cada ano) em Dezembro e Março.
- ◆ Podar folhas perenes (sempre-verdes) em Setembro e Fevereiro.
- ◆ Podar coníferas e outros arbustos de crescimento rápido a cada seis meses de Outubro até Março.

### **Limpeza, manutenção e armazenamento**

O seu aparelho/ferramenta com/sem fio BLACK+DECKER foi concebido para funcionar durante muito tempo, com um mínimo de manutenção.

Uma utilização continuamente satisfatória depende de uma manutenção apropriada da ferramenta e de uma limpeza regular.

**Atenção!** Antes de proceder a qualquer acção de manutenção em ferramentas eléctricas com cabo/sem fios:

- ◆ Desligue o aparelho/ferramenta e retire a respectiva ficha da tomada.
- ◆ Ou desligue e remova a bateria do aparelho/ferramenta caso o aparelho/ferramenta tenha uma bateria individual.
- ◆ Pode também deixar a bateria descarregar completamente se estiver incorporada e, em seguida, desligue-a.

Limpe regularmente as aberturas de ventilação do aparelho/ferramenta/carregador com uma escova macia ou um pano seco.

Limpe regularmente o compartimento do motor com um pano húmido. Não utilize produtos de limpeza abrasivos ou à base de solvente.

- ◆ Limpe regularmente as ranhuras de ventilação do aparelho/ferramenta/carregador com uma escova suave ou um pano seco.
- ◆ Limpe regularmente o compartimento do motor com um pano húmido. Não utilize produtos de limpeza abrasivos ou à base de solvente.

### **Após a utilização e antes do armazenamento**

- ◆ Limpe regularmente as aberturas de ventilação com um pincel limpo e seco.
- ◆ Para limpar o aparelho/ferramenta/carregador, utilize apenas sabão suave e um pano húmido. Nunca deixe entrar líquidos nem submerja qualquer peça em líquidos.
- ◆ Remova os detritos utilizando uma escova dura.
- ◆ Lubrifique a lâmina com óleo.

### **Substituição da tomada de alimentação (apenas Reino Unido e Irlanda)**

Se for necessário instalar uma nova ficha de alimentação:

- ◆ Elimine com segurança a ficha antiga.
- ◆ Ligue o cabo castanho ao terminal activo da nova ficha.
- ◆ Ligue o cabo azul ao terminal neutro.

**Atenção!** não deve ser efectuada qualquer ligação ao terminal de terra. Siga as instruções de instalação fornecidas com fichas de boa qualidade. Fusível recomendado: 5 A.

### **Protecção do ambiente**



Faça uma recolha de lixo selectiva. Os produtos e as baterias assinaladas com este símbolo não devem ser eliminados juntamente com o lixo doméstico normal.

Os produtos e as baterias contêm materiais que podem ser recuperados ou reciclados, reduzindo assim a necessidade de matérias-primas.

Recicle os produtos eléctricos e as baterias de acordo com as disposições locais. Estão disponíveis mais informações em [www.2helpU.com](http://www.2helpU.com).

### **Dados técnicos**

		PH5551
Tensão de entrada	V <sub>ca</sub>	230
Velocidade sem carga	min <sup>-1</sup>	3300
Comprimento da lâmina	mm	515
Tempo de paragem das lâminas	s.	<1
Peso	Kg	4.1

Nível de pressão acústica, de acordo com as normas EN ISO 11680-1, EN ISO 3744:
---

Pressão acústica ( $L_{pA}$ ) 90,3 dB(A), imprecisão (K) 2,5 dB(A)
--

Potência acústica ( $L_{WA}$ ) 100 dB(A), imprecisão (K) 2,5 dB(A)
--

Valores totais de vibração (soma vectores triax) de acordo com EN 60745:
--

Corte de madeira macia recém-abatida ( $a_{h, W}$ ) = 1,792 m/s <sup>2</sup> , imprecisão (K) 1,5 m/s <sup>2</sup>
--

## Declaração de conformidade CE

DIRECTIVA "MÁQUINAS"



### Corta-sebes com mastro PH5551

A Black & Decker declara que os produtos descritos em "dados técnicos" estão em conformidade com as seguintes normas:

2006/42/CE e EN 60745-1:2009+A11,  
EN ISO 10517:2009+A1

Nível de potência acústica em conformidade com 2000/14/CE (Artigo 13, Anexo III):

LWA (potência acústica medida) 97,2 dB(A)  
Imprecisão = 2,5 dB(A)

LWA (potência sonora garantida) 100 dB(A)

Estes produtos respeitam também as Directivas 2004/108/CE (até 19/04/2016) 2014/30/UE (a partir de 20/04/2016) e 2011/65/UE.

Para mais informações, contacte a Black & Decker para o endereço seguinte ou consulte o verso do manual.

O signatário é responsável pela compilação do ficheiro técnico e efectua esta declaração em nome da Black & Decker.

R. Laverick  
Director de Engenharia  
Black & Decker Europe, 210 Bath Road, Slough,  
Berkshire, SL1 3YD  
Reino Unido  
11/12/2015

## Garantia

A Black & Decker confia na qualidade dos seus produtos e oferece aos clientes uma garantia de 24 meses a partir da data de compra. Esta garantia é um complemento dos seus direitos estabelecidos por lei, não os prejudicando de forma alguma. A garantia é válida nos Estados-membros da União Europeia e nos países-membros da Zona Europeia de Comércio Livre.

Para accionar a garantia, esta deve estar em conformidade com os termos e condições da Black&Decker e terá de apresentar comprovativos de compra ao vendedor ou a um agente de reparação autorizado. Os termos e condições da garantia de 2 anos da Black&Decker e a localização do agente de reparação autorizado mais próximo pode ser obtido na Internet em [www.2helpU.com](http://www.2helpU.com) ou contactando uma filial da Black & Decker, cuja morada está indicada neste manual.

Visite o nosso Website [www.blackanddecker.co.uk](http://www.blackanddecker.co.uk) para registar o seu novo produto Black & Decker e receber actualizações sobre novos produtos e ofertas especiais.

## Avsedd användning

Din PH5551 BLACK+DECKER skafthäcktrimmer har designats för trimning av häckar, buskar och taggbuskar. Detta redskap är endast avsett för konsumentanvändning.

## Säkerhetsinstruktioner

### Allmänna säkerhetsanvisningar för elverktyg



**Varning!** Läs alla säkerhetsvarningar och instruktioner. Fel som uppstår till följd av att varningarna och instruktionerna som listas nedan inte följts kan orsaka elstöt, brand och/eller allvarliga kroppsskador.

**Spara alla säkerhetsföreskrifter och anvisningar för framtida bruk.** Termen "elverktyg" i varningarna syftar på ditt nätnätslutna (med kabel) elverktyg eller batteridrivna (sladdlösa) elverktyg.

#### 1. Säkerhet på arbetsområdet

- Se till att arbetsområdet är rent och väl belyst.** Stökiga eller mörka områden inbjuder till olyckor.
- Använd inte elverktyget i explosionsfarlig omgivning, t.ex. i närheten av brännbara vätskor, gaser eller damm.** Elverktyg ger upphov till gnistor som kan antända damm eller ångor.
- Håll barn och andra obehöriga personer på avstånd vid arbete med elverktyget.** Distractioner kan göra att du förlorar kontrollen.

#### 2. Elsäkerhet

- Elverktygets stickkontakt måste passa i eluttaget. Modifiera aldrig kontakten på något sätt. Använd inga adapterkontakter med jordanslutna (jordade) elektriska verktyg.** Icke modifierade kontakter och passande uttag minskar risken för elektrisk stöt.
- Undvik kroppskontakt med jordade ytor, t.ex. rör, värmeelement, spisar och kylskåp.** Det finns en ökad risk för elektrisk stöt om din kropp är jordansluten eller jordad.
- Skydda elverktyget mot regn och väta.** Vatten som kommer in i ett elverktyg ökar risken för elektrisk stöt.
- Hantera nätsladden varsamt. Använd aldrig sladden för att bära, dra eller koppla bort elverktyget från uttaget. Håll sladden borta från värme, olja, skarpa kanter eller rörliga delar.** Skadade eller tilltrasslade sladdar ökar risken för elektrisk stöt.
- Använd endast förlängningssladdar som är godkända för utomhusbruk när du arbetar med elverktyg utomhus.** Att använda en sladd som lämpar sig för utomhusanvändning minskar risken för elektrisk stöt.

- Om du måste använda ett elverktyg på en fuktig plats, bör du använda en strömförsörjning med jordfelsbrytare.** Att använda en jordfelsbrytare minskar risken för elektrisk stöt.

#### 3. Personlig säkerhet

- Var uppmärksam, fokusera på det du gör och använd elverktyget med förnuft.** Använd inte ett elverktyg när du är trött eller påverkad av droger, alkohol eller mediciner. Ett ögonblicks ouppmärksamhet när du arbetar med elektriska verktyg kan leda till allvarliga personskador.
  - Använd personlig skyddsutrustning. Använd alltid skyddsglasögon.** Skyddsutrustning såsom dammask, halkfria säkerhetsskor, skyddshjälme eller hörselskydd som används för lämpliga förhållanden minskar personskador.
  - Förhindra oavsiktlig igångsättning. Kontrollera att strömbrytaren står i avstängt läge innan du ansluter verktyget till elnätet eller sätter i batteriet, samt innan du tar upp eller bär verktyget.** Att bära elektriska verktyg med fingret på strömbrytaren eller att koppla strömmen till elektriska verktyg när strömbrytaren är på leder till olyckor.
  - Ta bort alla inställningsverktyg och skruvnycklar innan du startar elverktyget.** Ett verktyg eller en nyckel i en roterande komponent kan orsaka kroppsskada.
  - Sträck dig inte för mycket. Ha ordentligt fotfäste och balans hela tiden.** Detta möjliggör bättre kontroll av elverktyget i oväntade situationer.
  - Bär lämpliga kläder. Bär inte lösa kläder eller smycken. Håll hår, beklädnad och handskar borta från delar i rörelse.** Lösa kläder, smycken eller långt hår kan fastna i rörliga delar.
  - Om elverktyget har dammuppsugnings- och uppsamlingsutrustning kontrollerar du att den är monterad och används på korrekt sätt.** Användning av dammuppsamling kan minska dammrelaterade risker.
- #### 4. Användning och skötsel av elverktyg
- Överbelasta inte elverktyget. Använd rätt elverktyg för ditt arbete.** Det korrekta elverktyget gör arbetet bättre och säkrare vid den hastighet för vilket det konstruerades.
  - Använd inte elverktyget om det inte kan startas och stängas av med strömbrytaren.** Ett elverktyg som inte kan kontrolleras med strömbrytaren är farligt och måste repareras.
  - Dra stickproppen ur vägguttaget och/eller ta ut batteriet ur elverktyget innan inställningar görs, tillbehörsdelar byts ut eller elverktyget ställs undan.** Sådana förebyggande säkerhetsåtgärder minskar risken att oavsiktligt starta elverktyget.
  - Förvara elverktyg utom räckhåll för barn. Låt inte personer som inte är vana vid elverktyget eller som inte läst denna bruksanvisning använda det.**

Elektriska verktyg är farliga i händerna på ovana användare.

- e. **Underhålla elverktyg. Kontrollera att rörliga komponenter fungerar felfritt och inte kärvar, att komponenter inte gått sönder eller skadats och inget annat föreligger som kan påverka elverktygets funktion. Om det är skadat, se till att elverktyget blir reparerat före användningen.** Många olyckor orsakas av dåligt underhållna elektriska verktyg.
- f. **Håll kapverktyg vassa och rena.** Ordentligt underhållna kapverktyg med vassa skärtyr fastnar inte så lätt och är lättare att kontrollera.
- g. **Använd elverktyg, tillbehör, bits m.m. enligt dessa anvisningar, samtidigt som arbetsförhållandena och det arbete som ska utföras beaktas.** Att använda elverktyget för något annat än det som det är avsett för, kan leda till en riskfylld situation.

## 5. Service

- a. **Låt en kvalificerad reparatör som bara använder originaldelar utföra service på elverktyget.** Detta säkerställer att elverktygets säkerhet bibehålls.



**Varning! Ytterligare säkerhetsanvisningar för skafthäcktrimmer.**

Avsedd användning beskrivs i denna bruksanvisning. Verktyget får inte användas för andra ändamål än vad det konstruerats för. Använd det t.ex. inte för trädfällning. Användning av andra tillbehör eller tillsatser eller användning av det här verktyget som inte rekommenderas i den här bruksanvisningen kan leda till personskador.

- ◆ Håll elverktyg i de isolerade greppytorna när arbete utförs där kapverktyget kan komma i kontakt med dolda ledningar eller dess egen sladd. Kontakt med en strömförande ledning kommer också att göra metalldelarna på elverktyget strömförande och ge operatören en elektrisk stöt.
- ◆ Håll alla kroppsdelar borta från skärbladet. Ta inte bort klippmaterial och håll inte i material som ska klippas medan bladen rör sig. Se till att omkopplaren är avstängd när fastklämt material tas bort. Ett ögonblicks uppmärksamhet vid arbete med verktyget kan resultera i allvarlig personskada.
- ◆ Bär häcktrimmern i handtaget med skärbladet stoppat. Vid transport eller förvaring av häcktrimmern skall alltid kapenhetens skydd vara monterat. Korrekt hantering av häcktrimmen kommer att reducera eventuella personskador från klippbladen.
- ◆ Håll sladden borta från klippområdet. Under arbetet kan kabeln döljas i buskar och kan oavsiktligt klippas av bladet.

- ◆ Den avsedda användningen beskrivs i denna bruksanvisning. Användning av andra tillbehör eller tillsatser eller prestanda vid arbetet med detta verktyg än de som rekommenderas i denna bruksanvisning kan utgöra en risk för personskador och/eller skador på egendom.
- ◆ Bär inte verktyget med händerna på fronthandtaget, omkopplaren eller avtryckaren såvida inte verktyget kopplas bort från strömkällan.
- ◆ Om du inte har använt en häcktrimmer tidigare be att få praktiska tips av en erfaren användare förutom att studera denna manual.
- ◆ Vidrör aldrig bladen när verktyget är igång.
- ◆ Försök aldrig tvinga bladen att stanna.
- ◆ Lägg inte ned verktyget förrän bladen har stannat helt.
- ◆ Kontrollera regelbundet om bladen är skadade eller slitna. Använd inte verktyget om bladen är skadade.
- ◆ Undvik hårda föremål (t.ex. stålträdsstaket och räcken) när du klipper. Skulle du oavsiktligt träffa ett sådant föremål, stäng omedelbart av verktyget och kontrollera om det finns några skador.
- ◆ Skulle verktyget börja vibrera onormalt, stäng omedelbart av det och kontrollera om det finns några skador.
- ◆ Stäng av verktyget direkt om det kör fast. Koppla bort strömkällan innan du försöker ta bort eventuella föremål som kan ha fastnat.
- ◆ Montera det medföljande bladskyddet över bladen efter användning. Förvara verktyget så att bladen inte exponeras.
- ◆ Se alltid till att alla skydd är monterade när du använder verktyget. Försök aldrig att använda ett ofullständigt verktyg eller ett verktyg med icke auktoriserade ändringar.
- ◆ Låt aldrig barn använda verktyget.
- ◆ Se upp för nedfallande skräp när du klipper höga kanter på häckar.
- ◆ Håll alltid i verktyget med båda händerna i de därför avsedda handtagen.

## Andras säkerhet

- ◆ Låt aldrig barn, personer med reducerad sensorisk eller mental kapacitet eller utan erfarenhet eller kunskap eller personer som är obekant med dessa instruktioner använda maskinen, lokala bestämmelser kan begränsa åldern hos operatören.
- ◆ Använd inte maskinen i närheten av andra människor (främst barn) eller husdjur.

## Vibrationer

De vibrationsvärden som anges i avsnitten Tekniska data och deklarationen om överensstämmelse har uppmätts i enlighet med en standardtestmetod föreskriven i EN50636 och kan användas för jämförelse med andra verktyg. Det angivna vibrationsvärdet kan även användas för en preliminär bedömning av exponeringen.

**Varning!** Vibrationsvärdet under faktisk användning av elverktuget kan skilja sig från det uppgivna värdet beroende på hur verktyget används.

Vibrationsnivån kan överstiga den uppgivna nivån.

Vid uppskattningar av exponering för vibrationer i syfte att bedöma vilka säkerhetsåtgärder som är nödvändiga enligt 2002/44/EG för att skydda personer som regelbundet använder elverktyg i arbetet ska man utgå från de faktiska omständigheter under vilka elverktuget används och sättet på vilket det används. Bedömningen ska även ta hänsyn till alla moment i arbetscykeln, t.ex. när verktyget är avstängt och när det går på tomgång såväl som när det faktiskt används.

### Övriga risker.

Ytterligare risker som inte finns med i de bifogade säkerhetsanvisningarna kan uppstå när verktyget används. Dessa risker kan uppstå vid felaktig eller långvarig användning, etc. Även om alla relevanta säkerhetsanvisningar följs och säkerhetsanordningar används kan vissa ytterligare risker inte undvikas. Dessa omfattar:

- ◆ Skador orsakade av att roterande/rörliga delar vidrörs.
- ◆ Skador som uppstår vid byte av delar, blad eller tillbehör.
- ◆ Skador som orsakas av långvarig användning av ett verktyg. Se till att regelbundet ta vilopauser när du använder ett verktyg under en längre period.
- ◆ Nedsatt hörsel.
- ◆ Hälsorisker till följd av inandning av damm när apparaten används (exempel: arbete med trämaterial, särskilt ek, bok och MDF.)

### Varningssymboler

Följande varningssymboler tillsammans med datumkoden visas på verktyget:



**Varning!** Läs bruksanvisningen före användning för att minska risken för personskador.



Använd inte verktyget under våta förhållanden, om det regnar eller vid hög fuktighet.



Använd alltid skyddsglasögon.



Bär alltid hörselskydd.



Använd halkfria säkerhetsskor.



Se upp för fallande föremål.



Håll åskådare borta. Barn måste alltid hållas på avstånd från platsen där skafthäcktrimmern används



Risk för elstötar med dödlig utgång. Håll dig minst 10 meter från luftledningar.



Koppla ifrån nätströmmen omedelbart om strömladdan skadats



Garanterad ljudnivå enligt direktiv 2000/14/EG.

### Elsäkerhet



Eftersom detta verktyg är dubbelisolerat behövs ingen jordledare. Kontrollera alltid att spänningen på nätet motsvarar den spänning som finns angiven på märkplåten.

- ◆ Om strömladdan är skadad, måste den för att undvika risker, bytas ut av tillverkaren eller ett auktoriserat BLACK+DECKER servicecenter.

### Använda förlängningssladd

- ◆ Använd alltid en godkänd förlängningssladd som lämpar sig för verktygets ineffekt (se Tekniska data). Förlängningssladden måste vara lämplig för utomhusbruk och märkt därefter. Det går att använda en  $2 \times 1.5 \text{ mm}^2$  HO7RN-F-förlängningssladd som är upp till 30 m lång utan att produktens prestanda försämras. Innan du använder sladden kontrollerar du att den inte är skadad, sliten eller nött. Byt ut förlängningssladden om den är skadad eller defekt. Om du använder en sladdvinda, vira alltid av sladden fullständigt.

### Spänningsfall

- ◆ Under vissa driftförhållanden kan verktyget orsaka kortvariga spänningsfall när det slås på.
- ◆ Andra enheter kan påverkas. Till exempel kan ljusstyrkan hos elektriska lampor minska tillfälligt.
- ◆ Kontakta vid behov elleverantören för att avgöra om strömkällans impedans är lägre än 0.411 ohm. Under dessa förhållanden är det ovanligt att störningar förekommer.

### Förebygg risk för elektriska stötar

- ◆ Undvik kroppskontakt med jordade ytor (t.ex. metallräcken, lyktstolpar m.m.). Elsäkerheten kan förbättras ytterligare genom att använda en jordfelsbrytare med hög känslighet (30 mA).

### Funktioner

Detta verktyg har några eller samtliga av följande funktioner.

1. Häcktrimmerblad
2. Luftventiler
3. Låsbar knapp för vinkelinställning
4. Huvudstöd häcktrimmer
5. Låshylsa (övre)
6. Teleskopförlängare
7. Låshylsa (nedre)
8. Sele
- 8a. Säkerhetsklämma
9. Skaftgrepp
10. Lås knapp
11. Strömbrytare
12. Huvudhandtag
13. Strömkabel
14. Avlastare kabelpåkänning
15. Bakre säkerhetsskydd
16. Slida

### Montering



**Varning!** Se till att redskapet är avstängd samt att den inte är ansluten innan du påbörjar monteringen.



**Varning!** Använd alltid skyddshandskar när du arbetar med grensågen.



**Varning!** Denna produkt måste vara helt monterad innan användning. Använd inte denna produkt om den bara delvis är monterad eller monterad med skadade delar.

- ◆ Grensågen skall vara fullständigt monterad i paketet vid leverans.
- ◆ Ta bort bladskyddet (17) från bladet (1) innan användning.

### Slå på (bild A)

- ◆ Se till att grensågbladet (1) inte vidrör några föremål.
- ◆ Tryck på låsknappen (10) och håll kvar den i positionen.
- ◆ Tryck på strömbrytaren (11) för att slå på produkten.

### Stänga av

- ◆ Släpp strömbrytaren (11).

**Varning!** Försök aldrig låsa eller fixera strömbrytaren i påslaget läge.

### Förlänga grensågen (bild F)

- ◆ Lossa den nedre låshylsan (7).
- ◆ Skjut staven (9) och stavförlängningen (6) mot varandra för att dra tillbaka eller bort från varandra för att förlänga.
- ◆ Dra åt låshylsan (7) när önskad längd hittats.

Varning! Kontrollera regelbundet att anslutningarna sitter ordentligt.

Varning! Längden på förlängningsstaven är begränsad. Sluta skjut/dra så snart du känner ett motstånd. Dra endast ut till längden som krävs för att nå häcken som trimmas. Försök inte att använda produkten med en längd som hindrar att du hela tiden har ett stadigt fotfäste och god balans.

### Vinkelinställning (bild C)

- ◆ Tryck på låsknappen (3) på trimmerhuvudet medan det justeras.
- ◆ Se till att låsknappen (3) snäpper ordentligt på plats.

Varning! Huvudet kan justeras i fem olika positioner. Se alltid till att huvudet är ordentligt låst på plats. Försök inte att använda produkten med huvudet i någon annan position eller olåst.

### Användning

**Varning!** Låt redskapet arbeta i sin egen takt. Överbelasta inte.

### Trimning (bild D, E, F, G)

- ◆ Ställ in den längd som krävs på staven.
- ◆ Klipp och ta bort grenar för att öka klippkapaciteten hos produkten med en handgrensåg innan arbetet.

Notera: Fastklämning av blad på stora grenar kan orsaka skador.

- ◆ Håll alltid produkten med ett fast grepp på ytan och handtaget. Använd aldrig produkten med bara en hand.

Notera: Försök att hålla bladen i en vinkel på ungefär 15° mot klippytan (bild D).

- ◆ Klipp båda sidor nedifrån och uppåt, detta förhindrar att det klippna faller ned i vägen för det som skall klippas.
- ◆ Efter klippning av sidorna fortsätt med ovsidan.
- ◆ Vid klippning av breda häckar med klippområdet i siktområdet flytta klippbladen lätt genom klippytan i en svepande rörelse för att forma häcken eller busken. En lätt lutning nedåt på klippbladet i rörelseriktningen rekommenderas för optimal klippresultat.
- ◆ Flytta trimmern med en långsam rörelse framåt vid klippning av områden utanför siktområdet.
- ◆ Jäka inte och försök inte att klippa för mycket med en svepning med klippbladet.



- ◆ Klipp i flera steg om området som skall klippas är särskilt långt för att få ett bättre resultat.
- ◆ För att få en mycket rak klippning, sträck ut ett snöre längs med häcken på önskad höjd. Använd snöret som riktlinje och klipp strax ovanför det (bild E).
- ◆ För att få åt sidorna platta kan du klippa uppåt i grenarnas växtriktning. Yngre grenar flyttas uppåt när bladet klipper nedåt vilket ger gropar i häcken (bild E).
- ◆ Var försiktig och undvik främmande föremål. Undvik särskilt hårda föremål såsom metalltrådar och staket då dessa kan skada bladen.
- ◆ Olja bladen regelbundet.

## Riktlinjer för klippning (Storbritannien och Irland)

- ◆ Klipp häckar och buskar med ettåriga blad (nya blad varje år) i juni och oktober.
- ◆ Klipp vintergröna häckar och buskar i april och augusti.
- ◆ Klipp barrträd och andra snabbväxande buskar var sjätte vecka från maj till oktober.

## Riktlinjer för klippning (Australien och Nya Zeeland)

- ◆ Klipp häckar och buskar med ettåriga blad (nya blad varje år) i december och mars.
- ◆ Klipp vintergröna häckar och buskar i september och februari.
- ◆ Klipp barrträd och andra snabbväxande buskar var sjätte vecka från oktober till mars.

## Rengöring, underhåll och förvaring

Det här BLACK+DECKER sladdanslutna/sladdlösa apparaten har konstruerats för att fungera under lång tid med minsta möjliga underhåll.

Kontinuerlig tillfredsställande drift beror på ordentlig verktygs-vård och regelbunden rengöring.

**Varning!** Innan något underhåll utförs på sladdanslutna/sladdlösa elverktyg:

- ◆ Stäng av apparaten/verktyget och dra ur nätkontakten.
- ◆ Eller avlägsna batteriet ur apparaten/verktyget om det har ett separat batteripaket.
- ◆ Eller töm batteriet fullständigt om det är integrerat och stäng sedan av maskinen.

Rengör regelbundet redskapets/verktygets/laddarens luftintag med en mjuk borste eller torr trasa.

Rengör motorhöljet regelbundet med en fuktig trasa. Använd aldrig rengöringsmedel med lösnings- eller slipmedel.

- ◆ Rengör regelbundet apparatens/verktygets/laddarens ventilationsöppningar med en mjuk borste eller torr trasa.
- ◆ Rengör motorhöljet regelbundet med en fuktig trasa.

Använd aldrig rengöringsmedel med lösnings- eller slipmedel.

## Efter användning och innan förvaring

- ◆ Rengör regelbundet ventilationsöppningarna med en ren och torr målarborste.
- ◆ Använd bara mild tvål och en fuktig trasa för att rengöra redskapet/verktyget/laddaren. Låt aldrig någon vätska tränga in och doppa aldrig någon del i vätska.
- ◆ Avlägsna skräp med en hård borste.
- ◆ Smörj bladet med olja.

## Byte av elkontakten (endast Storbritannien & Irland)

Om en ny elkontakt måste monteras:

- ◆ Gör dig av med den gamla kontakten på ett säkert sätt.
- ◆ Anslut den bruna ledningen till fasanslutningen i den nya kontakten.
- ◆ Anslut den blå ledningen till den neutrala anslutningen.

**Varning!** Ingenting bör kopplas till jordanslutningen. Följ de monteringsanvisningar som följer med kontakter av god kvalitet. Rekommenderad säkring: 5 A.

## Skydda miljön



Separat insamling. Produkter och batterier som är markerade med denna symbol får inte kastas in de vanliga hushållsoporna.

Produkter och batterier innehåller material som kan återanvändas eller återvinnas för att minska behovet av råmaterial.

Återvinn elektriska produkter och batterier enligt lokala bestämmelser. Närmare information finns tillgänglig på [www.2helpU.com](http://www.2helpU.com).

## Tekniska data

		PH5551
Inmatad spänning	V <sub>ac</sub>	230
Varvtal obelastad	min <sup>-1</sup>	3300
Bladlängd	mm	515
Bladets stopptid	s	<1
Vikt	Kg	4.1

Ljudtrycksnivå enligt EN ISO 11680-1, EN ISO 3744:

Ljudtryck (L<sub>PA</sub>) 90,3 dB(A), osäkerhet (K) 2,5 dB(A)

Ljudeffekt (L<sub>WA</sub>) 100 dB(A), osäkerhet (K) 2,5 dB(A)

Totala vibrationsvärden (vektorsumman av tre axlar) enligt EN 60745:

Sågning i mjukt, färskt trä (a<sub>n,W</sub>) = 1,792 m/s<sup>2</sup>, osäkerhet (K) 1,5 m/s<sup>2</sup>

**EG Försäkran om överensstämmelse**

MASKINDIREKTIVET

**PH5551 skafthäcktrimmer**

Black & Decker garanterar att produkterna som beskrivs under "Tekniska data" uppfyller:

2006/42/EC and EN 60745-1:2009+A11,  
EN ISO 10517:2009+A1

Akustisk effekt enligt 2000/14/EG  
(Artikel 13, bilaga III):

LWA (uppmätt ljudnivå) 97.2 dB(A)

Osäkerhet = 2,5 dB(A)

LWA (garanterad ljudnivå) 100 dB(A)

De här produkterna överensstämmer även med direktiven 2004/108/EG (till 2016-04-19) 2014/30/EU (från 2016-04-20) och 2011/65/EU.

Mer information får du genom att kontakta Black & Decker på följande adress eller titta i slutet av bruksanvisningen.

Undertecknad är ansvarig för sammanställningen av tekniska data och gör denna försäkran för Black & Decker.

R.Laverick

Director of Engineering

Black & Decker Europe, 210 Bath Road, Slough,  
Berkshire, SL1 3YD

Storbritannien

2015-12-11

**Garanti**

Black & Decker är säker på kvaliteten hos denna produkt och erbjuder kunder 24 månaders garanti från datumet för inköpet. Garantin gäller utöver konsumentens rättigheter enligt lag och påverkar inte dessa. Garantin är giltig i de territorier som tillhör medlemsstaterna i Europeiska unionen och det europeiska frihandelsområdet.

För yrkande under garantin måste yrkandet vara i enlighet med Black&Deckers villkor och du kommer att behöva skicka in bevis på köpet till försäljaren eller en auktoriserad reparatör. Villkoren för Black&Deckers tvååriga garanti och var du hittar din närmaste auktoriserade reparatör kan erhållas på internet på [www.2helpU.com](http://www.2helpU.com) eller genom att kontakta ditt lokala Black & Decker kontor på adressen som angetts i denna bruksanvisning.

Besök vår webbsida [www.blackanddecker.co.uk](http://www.blackanddecker.co.uk) för att registrera registrera din nya Black & Decker-produkt samt för att få information om nya produkter och specialerbjudanden.

**Tiltentk bruk**

PH5551 BLACK+DECKER hekksaks er konstruert for trimming av hekker, busker og kratt. Dette verktøyet er bare ment som et forbrukerverktøy.

**Sikkerhetsinstruksjoner****Generelle sikkerhetsadvarsler for elektroverktøy**

**Advarsel!** Les alle sikkerhetsadvarsler og alle instruksjoner. Hvis advarslene og anvisningene nedenfor ikke overholdes, kan det medføre elektrisk støt, brann og/eller alvorlige personskader.

**Ta vare på alle advarsler og instruksjoner for fremtidig bruk.** Begrepet "elektroverktøy" i advarslene gjelder nettdrevet elektroverktøy (med ledning) eller batteridrevet elektroverktøy (uten ledning).

**1. Sikkerhet i arbeidsområdet**

- Hold arbeidsområdet rent og godt opplyst.** Rotete eller mørke områder er en invitasjon til ulykker.
- Ikke arbeid med elektroverktøy i eksplosjonsfarlige omgivelser, for eksempel der det befinner seg brennbare væsker, gass eller støv.** Elektrisk verktøy skaper gnister som kan antenne støv eller gasser.
- Hold barn og andre personer unna når du bruker et elektroverktøy.** Distraksjoner kan føre til at du mister kontrollen.

**2. Elektrisk sikkerhet**

- Støpselet til verktøyet må passe til stikkkontakten. Aldri modifier støpselet på noen måte. Ikke bruk adapterstøpsler til jordede elektriske verktøy.** Umodifiserte støpsler og stikkontakter som passer vil redusere risikoen for elektrisk sjokk.
- Unngå kroppskontakt med jordede overflater som rør, radiatorer, komfyrer og kjøleskap.** Det er økt risiko for elektrisk støt dersom kroppen din er jordet.
- Ikke utsett elektroverktøy for regn eller fuktighet.** Dersom det kommer vann inn i et elektrisk verktøy vil det øke risikoen for elektrisk sjokk.
- Unngå uforsvarlig behandling av ledningen. Aldri bruk ledningen til å bære, trekke eller dra ut støpselet til det elektriske verktøyet. Hold ledningen borte fra varme, olje, skarpe kanter eller bevegelige deler.** Skadede eller innviklede ledninger øker risikoen for elektrisk sjokk.
- Når du bruker et elektroverktøy utendørs, må du bruke en skjøteledning som er egnet til utendørs bruk.** Bruk av en skjøteledning beregnet for utendørs bruk reduserer risikoen for elektrisk støt.

- f. Hvis du ikke kan unngå å bruke elektroverktøy på et fuktig sted, må du bruke en strømforsyning som er beskyttet med jordfeilbryter.  
Bruk av jordfeilbryter (RCD) reduserer risikoen for elektrisk sjokk.
3. Personikkerhet
- a. Vær oppmerksom, pass på hva du gjør, og vis fornuft når du arbeider med et elektroverktøy. Ikke bruk et elektrisk verktøy dersom du er trøtt eller er påvirket av medikamenter, narkotika eller alkohol. Ett øyeblikks uoppmerksomhet under bruk av elektriske verktøy kan føre til alvorlig personskade.
- b. Bruk personlig verneutstyr. Bruk alltid vernebriller. Verneutstyr slik som støvmaske, skliskre vernesko, hjelm, eller hørselsvern brukt under passende forhold vil redusere personskader.
- c. Forhindre utilsiktet start. Kontroller at bryteren står i posisjon "av" før du kobler til strømkilden og/eller batteripakken, og før du tar opp eller bærer verktøyet. Å bære elektriske verktøy med fingeren på bryteren eller å sette inn støpselet mens elektriske verktøy har bryteren på øker faren for ulykker.
- d. Fjern eventuelt innstillingsverktøy eller skruverktøy før du slår på elektroverktøyet. Et skruverktøy eller en nøkkel som fortsatt er festet til en roterende del av elektroverktøyet, kan føre til personskade.
- e. Ikke strekk deg for langt. Ha godt fotfeste og stå støtt hele tiden. Dette fører til at du har bedre kontroll over det elektriske verktøyet ved uventede situasjoner.
- f. Bruk egnede klær. Ikke ha på deg løstsittende klær eller smykker. Hold hår, antrekk og hansker borte fra bevegelige deler. Løstsittende klær, smykker og langt hår kan bli fanget opp av bevegelige deler.
- g. Hvis det kan monteres støvavsug- og oppsamlingsinnretninger, må du forvise deg om at disse er tilkoblet og brukes på riktig måte. Bruk av støvoppsamlere kan redusere støvrelaterte farer.
4. Bruk og behandling av elektroverktøy
- a. Ikke bruk makt på elektroverktøyet. Bruk det elektriske verktøyet som situasjonen krever. Det riktige elektriske verktøyet vil gjøre jobben bedre og tryggere ved den hastigheten det ble konstruert for.
- b. Ikke bruk elektroverktøyet hvis du ikke kan slå det på og av med bryteren. Ethvert elektrisk verktøy som ikke kan kontrolleres med bryteren er farlig og må repareres.
- c. Trekk støpselet ut av stikkontakten og/eller koble fra batteripakken på elektroverktøyet før du utfører innstillinger, bytter tilbehør eller legger elektroverktøyet bort. Slike preventive sikkerhetsforanstaltninger reduserer risikoen for å starte det elektriske verktøyet ved et uhell.
- d. Elektroverktøy som ikke er i bruk, må oppbevares utilgjengelig for barn. Ikke la verktøyet bli brukt av personer som ikke er fortlørlige med det, eller som ikke kjenner disse instruksjonene. Elektriske verktøy er farlige i hendene på utrenede brukere.
- e. Sørg for vedlikehold av elektroverktøy. Undersøk om bevegelige deler er feiljustert eller blokkert, om deler er skadet, og om det er andre forhold som kan påvirke elektroverktøets funksjon. Dersom det er skadet, få verktøyet reparert før neste bruk. Mange ulykker forårsakes av dårlig vedlikeholdte verktøy.
- f. Hold skjæreverktøy skarpe og rene. Godt vedlikeholdte skjæreverktøy med skarpe skjærekantene setter seg mindre sannsynlig fast og er lettere å kontrollere.
- g. Bruk elektroverktøy, tilbehør, bits osv. i henhold til disse instruksjonene. Ta hensyn til arbeidsforholdene og arbeidet som skal utføres. Bruk av det elektriske verktøyet for oppgaver som er forskjellige fra de som er tiltenkt kan føre til en farlig situasjon.
5. Service
- a. Elektroverktøy skal repareres av kvalifisert personell og bare med originale reservedeler. Dette vil sikre at verktøets sikkerhet blir ivarett.



**Advarsel! Ytterligere sikkerhetsadvarsler for heksaksler.**

Bruksområdet er beskrevet i denne bruksanvisningen. Ikke bruk verktøyet til formål det ikke er beregnet for. For eksempel skal du ikke bruke verktøyet til å felle trær. Bruk av ethvert tilbehør eller ekstrautstyr, eller utføring av andre operasjoner med dette verktøy, enn det som er beskrevet i denne bruksanvisningen, kan gi risiko for personskader.

- ◆ Hold i verktøyet på de isolerte overflatene når du utfører arbeid der verktøyet kan komme i kontakt med skjulte ledninger eller sin egen kabel. Kontakt med en strømførende ledning vil også gjøre eksponerte metalldeleer på verktøyet strømførende og gi brukeren elektrisk støt.
- ◆ Hold alle deler av kroppen borte fra skjærebladet. Når bladene beveger seg, må du ikke fjerne skåret materiale eller holde i materiale som skal klippes. Forsikre deg om at bryteren er av når du fjerner tilstoppet materiale. Et øyeblikks uoppmerksomhet under bruk av verktøyet kan føre til alvorlige personskader.
- ◆ Bær heksaksen i hånda med skjærebladet stanset. Når du transporterer eller lagrer heksaksen skal du alltid ha dekslet over kutteenheten. Ved å håndtere heksaksen på riktig måte vil du redusere risikoen for personskader forårsaket av kuttebladene.
- ◆ Hold ledningen unna skjæreområdet. Under bruk kan ledningen være gjemt i busker og kan kuttes av bladet ved et uhell.

- ◆ Bruksrådet er beskrevet i denne bruksanvisningen. Bruk av tilbehør, ekstrautstyr eller å utføre handlinger med dette verktøyet utenom de som er anbefalt i denne bruksanvisningen kan føre til fare for personskader og/eller materielle skader.
- ◆ Ikke bær verktøyet med hendene på fronthåndtaket, bryteren eller avtrekkeren hvis ikke verktøyet er frakoblet strømkilden.
- ◆ Hvis du ikke har brukt en hekksaks før, bør du få praktisk instruksjon fra en erfaren bruker i tillegg til å lese denne bruksanvisningen.
- ◆ Du må aldri berøre bladene når verktøyet er i gang.
- ◆ Du må aldri prøve å stanse bladene med makt.
- ◆ Du må ikke sette fra deg verktøyet før bladene er stanset helt.
- ◆ Kontroller jevnlig om bladene er skadet eller slitt. Ikke bruk verktøyet når bladene er skadet.
- ◆ Pass på at du unngår harde gjenstander (blant annet metalltråd og gjerder) når du bruker verktøyet. Skulle du ved et uhell komme bort i slike gjenstander skal du umiddelbart stanse verktøyet og sjekke det for skader.
- ◆ Skulle verktøyet begynne å vibrere unormalt, skal du umiddelbart slå det av og sjekke det for skade.
- ◆ Hvis verktøyet stopper eller kjører seg fast, må du slå det av straks. Trekk ut støpselet til nettstrømmen før du prøver å fjerne hindringer.
- ◆ Etter bruk må du plassere bladbeskytteren som følger med, over bladene. Pass på at bladene er beskyttet når du oppbevarer verktøyet.
- ◆ Pass på at all beskyttelse er montert når du bruker verktøyet. Du må aldri forsøke å bruke et verktøy som ikke er komplett, eller hvor det er foretatt endringer som ikke er godkjent.
- ◆ Du må aldri la barn bruke verktøyet.
- ◆ Vær oppmerksom på rusk som faller ned, når du klipper høye hekker.
- ◆ Hold alltid verktøyet med begge hender i håndtakene som er beregnet for dette.

### Andre personers sikkerhet

- ◆ La aldri barn eller personer med reduserte fysiske, sensoriske eller mentale ferdigheter eller med manglende erfaring eller kunnskap, eller personer som ikke kjenner bruksanvisningen bruke denne maskinen. Lokale lover og regler kan gi begrensninger for brukerens alder.
- ◆ Ikke bruk maskinen hvis det er personer, spesielt barn, eller dyr i nærheten.

### Vibrasjon

Vibrasjonsemissionsverdien som er angitt under tekniske data og samsvarserklæring, er blitt målt i henhold til en standard testmetode som er angitt i EN 50636, og kan brukes til å sammenligne et verktøy med et annet. Den oppgitte vibrasjonsemissionsverdien kan også brukes til en foreløpig vurdering av eksponering.

**Advarsel!** Vibrasjonsemissionsverdien under faktisk bruk av elektroverktøyet kan avvike fra den oppgitte verdien avhengig av måten verktøyet blir brukt på.

Vibrasjonsnivået kan øke over nivået som er oppgitt.

Når det vurderes vibrasjonseksponering for å avgjøre hvilke sikkerhetstiltak som kreves ifølge 2002/44/EF, for å beskytte personer som bruker elektroverktøy regelmessig til arbeidsformål, skal det, når vibrasjonseksponeringen anslås, tas hensyn til de faktiske bruksforholdene og måten verktøyet blir brukt på. Dette inkluderer å ta hensyn til alle deler av brukssyklusen, for eksempel når verktøyet er avslått, når det går på tomgang og når utløseren er trykket inn.

### Andre risikoer.

Når verktøyet brukes, kan det oppstå ytterligere risikoer som kanskje ikke er beskrevet i de medfølgende sikkerhetsadvarslene. Disse risikoene kan bli forårsaket av feil bruk, langvarig bruk osv.

Selv om de relevante sikkerhetsbestemmelsene blir fulgt, og sikkerhetstiltakene blir gjennomført, kan visse gjenværende risikoer ikke unngås. Disse inkluderer:

- ◆ Personskader som forårsakes av berøring av en roterende/bevegelig del.
- ◆ Personskader som forårsakes av at en del, et blad eller tilbehør endres.
- ◆ Personskader som skyldes for lang tids bruk av verktøyet. Når du bruker et verktøy i lange perioder, må du sørge for å ta regelmessige pauser.
- ◆ Hørselskader.
- ◆ Helsefarer som forårsakes av innånding av støv som dannes når du bruker verktøyet (eksempel: arbeid med tre, spesielt eik, bøk og MDF.)

### Advarselssymboler

De følgende advarselssymbolene sammen med datokode vises på verktøyet:



**Advarsel!** Brukeren må lese håndboken for å redusere risikoen for personskade.



Ikke bruk apparatet på våte steder, og ikke utsett det for regn.



Bruk alltid vernebriller.



Bruk alltid hørselvern.



Bruk alltid sklisikkert fotteøy.



Vær oppmerksom på fallende gjenstander.



Hold andre personer unna. Barn må holdes unna områder der hekksaksen brukes



Fare for dødelig elektrisk støt. Må holdes minst 10 m unna elektriske ledninger i luften.



Koble fra strømmen umiddelbart hvis strømkabelen blir skadet



Garantert lydeffekt i henhold til direktiv 2000/14/ EU.

## Elektrisk sikkerhet



Dette verktøyet er dobbeltisolert. Jording er derfor ikke nødvendig. Kontroller alltid at strømforsyningen samsvarer med spenningen på merkeskiltet.

- ◆ Hvis strømledningen blir skadet, må den byttes av produsenten eller et autorisert BLACK+DECKER-service-senter for å unngå fare.

## Bruke skjøteledning

- ◆ Bruk alltid en godkjent skjøteledning som passer til inngangseffekten for dette verktøyet (se tekniske data). Skjøteledningen må passe for utendørs bruk og skal være merket i samsvar med dette. Opptil 30 m 2 x 1,5 mm<sup>2</sup> HO7RN-F-skjøteledning kan brukes uten tap av ytelse for produktet. Før bruk må du undersøke skjøteledningen for tegn på skade, slitasje og aldring. Bytt skjøteledningen hvis den er skadet eller defekt. Vikle alltid ut kabelen fullstendig når du bruker en kabeltrommel.

## Spenningsfall

- ◆ Under visse strømforsyningsforhold kan dette produktet forårsake korte spenningsfall under oppstart.
- ◆ Annet utstyr kan bli berørt. For eksempel kan elektrisk lys bli midlertidig svakere.
- ◆ Kontakt om nødvendig reguleringsmyndighetene for elektrisitet for å finne ut om impedansen for strømforsyningen er mindre enn 0,411 ohm. Det er lite sannsynlig at det oppstår forstyrrelser under disse betingelsene.

## Vern mot elektrisk støt

- ◆ PUNNGÅ å komme i kontakt med jordede overflater (f.eks. metallrekkeverk, lyktestolper osv.). Elektrisk sikkerhet kan forbedres ytterligere ved bruk av jordfeilbryter med høy følsomhet (30 mA / 30 mS).

## Funksjoner

Dette verktøyet har noen av eller alle følgende egenskaper.

1. Hekksaksblad
2. Ventilasjonsåpninger
3. Låsing vinkeljusteringsknapp
4. Hekksaks hodestøtte
5. Låsehylse (øvre)
6. Stangforlenger
7. Låsehylse (nedre)
8. Sele
- 8a. Festeklips
9. Stanghåndtak
10. Låse- knapp
11. På/Av bryter
12. Hovedhåndtak
13. Strømkabel
14. Kabelstrekklavlater
15. Bakre beskyttelse
16. Slire

## Montering



**Advarsel!**Før monteringen må du passe på at maskinen er slått av, og at kontakten er trukket ut.



**Advarsel!**Bruk alltid vernehansker når du arbeider med beskjeringsgassen.



**Advarsel!**Dette produktet må være fullstendig montert før bruk. Du skal ikke bruke dette produktet hvis det er delvis montert eller hvis det montert med skadede deler.

- ◆ Hekksaksen er ferdig montert i emballasjen ved levering.
- ◆ Fjern bladdekslet (17) fra bladet(1) før bruk.

**Slå på (figur A.)**

- ◆ Forsikre deg om at heksaksbladet (1) ikke berører noen objekter.
- ◆ Trykk ned låseknappen (10) og hold den i posisjon.
- ◆ Trykk på av/på knappen (11) for å slå produktet på.

**Slå av**

- ◆ Slipp av/på-knappen (11).

**Advarsel!** Ikke prøv å låse en bryter i stillingen "på".

**Forlengelse beskjæringsagen (figur B)**

- ◆ Løsne den nedre låsehylsen (7).
- ◆ Dytt stangen (9) og stangforlengeren (6) mot hverandre for å forkorte, eller fra hverandre for å forleng.
- ◆ Fest låsehylsen (7) når den ønskede lengden er oppnådd.

**Advarsel!** Kontroller koblingene regelmessig for å sikre at de er strammet og sikre.

**Advarsel!** Lengden på forlengelsesstangen er begrenset.

Slutt å dytte/dra når du føler motstand. Forleng bare til den lengden som kreves for å nå hekken som skal trimmes. Ikke prøv å bruke produktet ved en lengde som ikke lar deg ha godt fotfeste og balanse hele tiden.

**Vinkeljustering (figur C)**

- ◆ Trykk ned låseknappen (3) på trimmehodet mens du justerer det.
- ◆ Forsikre deg om at låseknappen (3) klikker sikkert på plass.

**Advarsel!** Hodet kan justeres i fem ulike posisjoner. Forsikre deg alltid om at hodet er låst fast skikkelig. Ikke prøv å bruke hodet i noen annen posisjon eller ulåst.

**Bruk**

**Advarsel!** La verktøyet arbeide i sin egen hastighet. Må ikke overbelastes.

**Klipping (figur D, E, F, G)**

- ◆ Juster stangen til den påkrevde lengden.
- ◆ Kutt og fjern først grener som overgår kapasiteten til dette produktet. Bruk en manuell heksaks til dette.

**Merk:** Hvis verktøyet setter seg fast i store grener, kan dette forårsake skader.

- ◆ Du skal alltid holde produktet fast med begge hender på gripeoverflatene og håndtaket. Du skal aldri bruke dette produktet med bare en hånd.

**Merk:** Prøv å holde bladene i en vinkel på omtrent 15° til kutteoverflaten (figur D).

- ◆ Kutt på begge sider fra bunnen. Kutt oppover. Dette vil forhindre at kutteavfall setter seg fast i områdene som ennå ikke er kuttet.
- ◆ Etter å ha kuttet begge sider skal du fortsette til toppen.
- ◆ Når du klipper brede hekker med klippeområdet innen synsvide, beveg bladet lett over klippeflaten i en sveipebevegelse som følger formen på hekken eller busken. Best resultat får du med en liten ned-vinkel på bladet i bevegelsesretningen.
- ◆ Beveg heksaksen med sakte bevegelse fremover når du kutter et område som er ute av synsvinkel.
- ◆ Ikke forhast deg og ikke prøv å klippe for mye med en bevegelse av bladet.
- ◆ For å få best resultat skal du klippe i flere omganger hvis området som skal klippes er spesielt langt.
- ◆ For å oppnå et helt jevnt resultat kan du strekke en tråd langs lengden på hekken i ønsket høyde. Bruk snoren til å styre etter, og klipp rett over den (fig. E).
- ◆ Du oppnår flate sider ved å skjære oppover i vekstreningen. Yngre grener beveger seg utover når bladet kutter nedover, som fører til innsunkne partier på hekken (fig. E).
- ◆ Pass på at du unngår fremmedlegemer. Du skal spesielt unngå harde gjenstander slik som metalltråd og rekkverk, da disse kan skade bladet.
- ◆ Smør bladene regelmessig.

**Retningslinjer for trimming (Storbritannia og Irland)**

- ◆ Klipp hekker og busker som feller løv (nytt løv hvert år) i juni og oktober.
- ◆ Klipp eviggrønne vekster i april og august.
- ◆ Klipp bartrær og andre busker som vokser raskt, hver sjette uke fra mai til oktober.

**Retningslinjer for trimming (Australia og New Zealand)**

- ◆ Klipp hekker og busker som feller løv (nytt løv hvert år) i desember og mars.
- ◆ Klipp eviggrønne vekster i september og februar.
- ◆ Klipp bartrær og andre busker som vokser raskt, hver sjette uke fra oktober til mars.

**Rengjøring, vedlikehold og oppbevaring**

BLACK+DECKER-apparatet/verktøyet med ledning/batteri er laget for å brukes over lang tid med et minimum av vedlikehold. For at den skal fungere tilfredsstillende over tid, er det viktig å sørge for riktig stell av verktøyet og regelmessig renhold.

**Advarsel!** Før du utfører vedlikehold på elektriskdrevet/batteridrevet elektroverktøy:

- ◆ Slå av apparatet/verktøyet og trekk ut støpselet.

- ◆ Eller slå av apparatet/verktøyet og fjern batteriet fra dette hvis apparatet/verktøyet har separat batteripakke.
- ◆ Eller la batteriet gå helt tomt hvis det er innebygd, og slå deretter av.

Rengjør ventilasjonsåpningene i apparatet/verktøyet/laderen jevnlig med en myk børste eller tørr klut.

Rengjør motorhuset regelmessig med en fuktig klut. Ikke bruk slipende eller løsemiddelbaserte rengjøringsmidler.

- ◆ Rengjør ventilasjonsåpningene i apparatet/verktøyet/laderen jevnlig med en myk børste eller tørr klut.
- ◆ Rengjør motorhuset regelmessig med en fuktig klut. Ikke bruk slipende eller løsemiddelbaserte rengjøringsmidler.

### Etter bruk og før oppbevaring

- ◆ Rengjør ventilasjonssporene regelmessig med en ren, tørr malerkost.
- ◆ Apparatet/verktøyet/laderen skal bare rengjøres med mild såpe og en fuktig klut. La det aldri komme inn væske og senk aldri noen del ned i væske.
- ◆ Fjern rusk med en hard børste.
- ◆ Smør kjedet med olje.

### Skifte nettplugg (bare Storbritannia og Irland)

Dersom du trenger å sette på et nytt støpsele:

- ◆ Kast det gamle støpselet på en trygg måte.
- ◆ Koble den brune ledningen til den strømførende terminalen i det nye støpselet.
- ◆ Koble den blå ledningen til den nøytrale terminalen.

**Advarsel!** Jordingslederen skal ikke kobles til. Følg monteringsanvisningen som medfølger støpsler av god kvalitet. Anbefalt sikring: 5 A.

### Miljøvern



Separat avfallshåndtering. Produkter og batterier merket med dette symbolet skal ikke kastes i vanlig husholdningsavfall.

Produkter og batterier inneholder materialer som kan gjenbrukes eller gjenvinnes for å redusere behovet for nye råmaterialer. Vennligst lever elektrisk utstyr og batterier til gjenbruk i henhold til lokale regler. Mer informasjon finner du på [www.2helpU.com](http://www.2helpU.com).

### Tekniske data

		PH5551
Inngangs- spenning	V <sub>ac</sub>	230
Ubelastet hastighet	min <sup>-1</sup>	3300
Bladlengde	mm	515
Bremsetid for bladet	s	<1
Vekt	kg	4,1

Lydtryknivå målt i henhold til EN ISO 11680-1, EN ISO 3744:
Lydtrykk (L <sub>pA</sub> ) 90,3 dB(A), usikkerhet (K) 2,5 dB(A)
Lydeffekt (L <sub>WA</sub> ) 100 dB(A), usikkerhet (K) 2,5 dB(A)
<b>Totale vibrasjonsverdier (triax vektorsum) bestemt i samsvar med EN 60745:</b>
Kutting av nyfelt myktrø (a <sub>h, W</sub> ) = 1,792 m/s <sup>2</sup> , usikkerhet (K) 1,5 m/s <sup>2</sup>

## EU-samsvarserklæring MASKINERIDIREKTIV



### PH5551 hekksaks

Black & Decker erklærer at disse produktene, som er beskrevet under "Tekniske data", er i samsvar med:

2006/42/EC and EN 60745-1:2009+A11,  
EN ISO 10517:2009+A1

Lydeffektnivå i henhold til 2000/14/EF  
(artikkel 13, vedlegg III):  
LWA (målt lydeffekt) 97,2 dB(A)  
Usikkerhet = 2,5 dB(A)  
LWA (garantert lydeffekt) 100 dB(A)

Disse produktene er også i samsvar med direktiv 2004/108/EU (til 19/04/2016), 2014/30/EU (fra 20/04/2016) og 2011/65/EU.

Hvis du ønsker mer informasjon, kontakt Black & Decker på følgende adresse, eller se på baksiden av bruksanvisningen. Undertegnede er ansvarlig for utarbeidelsen av den tekniske dokumentasjonen og gir denne erklæringen på vegne av Black & Decker.

R. Laverick  
**Director of Engineering**  
Black & Decker Europe, 210 Bath Road, Slough,  
Berkshire, SL1 3YD  
Storbritannia  
11.12.2015



## Garanti

Black & Decker er trygg på kvaliteten av produktene sine og tilbyr en 24 måneders garanti fra kjøpsdato. Denne garantierklæringen kommer i tillegg til dine lovbestemte rettigheter og er ikke i konflikt med disse. Garantien er gyldig innen områdene tilhørende medlemslandene i den Europeiske Union (EU) og det Europeiske Frihandelsområdet (EFTA).

For å ta garantien i bruk må kravet være i samsvar med kjøpsbetingelsene fra Black&Decker og du må vise kjøpskvittering til forhandleren eller til et autorisert serviceverksted. Betingelsene for Black&Deckers 2 års garanti og adressen til din nærmeste autoriserte serviceverksted kan du finne på internett under [www.2helpU.com](http://www.2helpU.com), eller ved å kontakte ditt lokale Black & Decker kontor, adressen er angitt i denne bruksanvisningen.

Besøk vår webside [www.blackanddecker.co.uk](http://www.blackanddecker.co.uk) for å registrere ditt nye Black & Decker-produkt og for å holde deg oppdatert om nye produkter og spesialtilbud.

## Tilsigtede bruk

Din PH5551 BLACK + DECKER hækkeklipper er designet til klipping af hække, buske og brombærbuske. Værktøjet er kun beregnet til privat brug.

## Sikkerhedsinstruksjoner

### Generelle sikkerhedsadvarsler vedrørende elværktøj



**Advarsel!** Læs alle sikkerhedsadvarsler og alle instruksjoner. Hvis nedenstående advarsler og instruksjoner ikke følges, er der risiko for elektrisk stød, brand og/eller alvorlige personskader.

### Gem alle advarsler og anvisninger til senere brug.

Begrebet "elværktøj", der benyttes i nedenstående advarsler, henviser til netdrevet elværktøj (med netledning) eller batteridrevet værktøj (uden netledning).

#### 1 Sikkerhed i arbejdsområdet

- Hold arbejdsområdet rent og ordentligt oplyst.** Rodede eller mørke områder giver anledning til ulykker.
- Brug ikke elværktøj i eksplosive atmosfærer, f.eks. i områder med brændbare væsker, gasser eller støv.** Elværktøj danner gnister, der kan antænde støv eller dampe.
- Hold børn og omkringstående på afstand, når der arbejdes med elværktøj.** Distraktioner kan medføre, at du mister kontrollen.

#### 2 Elektricitet og sikkerhed

- Elværktøjets stik skal passe til kontakten. Stikket må aldrig modificeres på nogen måde. Undlad at bruge adapterstik sammen med jordforbundet elektrisk værktøj.** Umodificerede stik og dertil passende stikkontakter reducerer risikoen for elektrisk stød.
- Undgå kropskontakt med jordforbundne overflader som f.eks. rør, radiatorer, komfurer og køleskabe.** Der er øget risiko for elektrisk stød, hvis din krop er jordforbundet.
- Udsæt ikke elværktøj for regn, og brug det ikke, hvor omgivelserne er våde.** Hvis der trænger vand ind i et elektrisk værktøj, øges risikoen for elektrisk stød.
- Pas på, at ledningen ikke beskadiges. Brug aldrig ledningen til at bære, trække værktøjet eller trække det ud af stikkontakten. Hold ledningen borte fra varme, olie, skarpe kanter og bevægelige dele.** Beskadigede eller sammenfiltrede ledninger øger risikoen for elektrisk stød.
- Hvis elværktøj benyttes udendørs, skal der benyttes en forlængerledning, der er godkendt til udendørs brug.**

Brug af en ledning, der er egnet til udendørs brug, reducerer risikoen for elektrisk stød.

- f. **Brug en strømkilde med fejlstrømsrelæ, hvis det er nødvendigt at anvende elværktøj på fugtige steder.** Ved at benytte en fejlstrømsafbryder reduceres risikoen for elektrisk stød.

### 3 Personlig sikkerhed

- a. **Vær opmærksom, hold øje med, hvad du laver, og brug elværktøjet fornuftigt. Betjen ikke værktøjet, hvis du er træt, påvirket af narkotika, alkohol eller medicin.** Et øjeblikks uopmærksomhed under anvendelse af et elektrisk værktøj kan forårsage alvorlig personskade.
- b. **Brug personligt beskyttelsesudstyr. Bær altid beskyttelsesbriller.** Sikkerhedsudstyr, såsom støvmaske, skridsikre sikkerhedssko, sikkerhedshjelm eller høreværn, brugt når omstændighederne foreskriver det, reducerer omfanget af personskader.
- c. **Træf forholdsregler, så utilsigtet start ikke er mulig. Kontroller, at afbryderkontakten står på slukket, inden værktøjet tilsluttes strømkilden og/eller batteriet, samles op eller bæres.** Når elektrisk værktøj bæres med fingeren på kontakten eller tilsluttes, når kontakten er tændt, giver det anledning til ulykker.
- d. **Fjern indstillingsværktøj eller skruenøgle, inden elværktøjet startes.** En skruenøgle eller anden nøgle, der bliver siddende på en roterende del af elektrisk værktøj, kan give anledning til personskade.
- e. **Stræk dig ikke for langt. Hold hele tiden en god fodstilling og balance.** Dette giver bedre kontrol af det elektriske værktøj, når uventede situationer opstår.
- f. **Brug egnet arbejdstøj. Bær ikke løst tøj eller smykker. Hold dit hår, tøj og handsker væk fra bevægelige dele.** Løstsiddende tøj, smykker eller langt hår kan blive fanget i bevægelige dele.
- g. **Hvis der kan monteres støvudsugnings- og opsamlingsudstyr, skal dette tilsluttes og benyttes korrekt.** Anvendelse af støvsamlingsudstyr kan begrænse farer forårsaget af støv.

### 4 Brug og vedligeholdelse af elværktøj

- a. **Overbelast ikke elværktøjet. Brug det værktøj, der er bedst egnet til det arbejde, der skal udføres.** Værktøjet vil klare opgaven bedre og mere sikkert med den ydelse, som det er beregnet til.
- b. **Brug ikke elværktøjet, hvis afbryderkontakten er defekt.** Alt elektrisk værktøj, der ikke kan kontrolleres med kontakten, er farligt og skal repareres.
- c. **Træk stikket ud af stikkontakten og/eller tag batteriet ud af elværktøjet, før du indstillet det, skifter tilbehør eller lægger det væk.** Sådanne forebyggende sikkerhedsforanstaltninger mindsker risikoen for, at værktøjet startes utilsigtet.

- d. **Opbevar ubenyttet elværktøj uden for børns rækkevidde. Lad aldrig personer, der ikke er fortrolige med elværktøjet, eller som ikke har læst denne vejledning, benytte maskinen.** El-værktøj er farligt i hænderne på personer, som ikke er instrueret i brugen deraf.
- e. **Elværktøj skal vedligeholdes. Kontroller, om bevægelige dele er skæve og ikke sidder fast, og om delene er brækket eller beskadiget, så elværktøjets funktion påvirkes.** Hvis det elektriske værktøj er beskadiget, skal det repareres før brug. Mange ulykker er forårsaget af dårligt vedligeholdt værktøj.
- f. **Hold skæreværktøj skarpt og rent.** Ordentligt vedligeholdt skæreværktøj med skarpe skærekanter har mindre tilbøjelighed til at binde og er lettere at styre.
- g. **Brug elværktøjet, tilbehøret, indsatsværktøj osv. i overensstemmelse med disse instruktioner under hensyntagen til arbejdsforholdene og arbejdet, der skal udføres med værktøjet.** Brug af elektrisk værktøj til andre opgaver end dem, det er beregnet til, kan resultere i en farlig situation.

### 5 Service

- a. **Få altid elværktøjet repareret af kvalificerede fagfolk, og brug kun originale reservedele.** Derved sikres det, at værktøjets driftssikkerhed opretholdes.



**Advarsel! Yderligere sikkerhedsadvarsler for hækkeklippere.**

Den tilsigtede anvendelse er beskrevet i denne betjeningsvejledning. Brug ikke værktøjet til andre formål end de tiltænkte; brug f.eks. ikke værktøjet til træfældning. Brugen af ekstraudstyr eller tilbehør eller udførelse af opgaver med værktøjet ud over de i brugervejledningen anbefalede kan medføre risiko for personskade.

- ◆ Hold kun fast i elværktøjet ved hjælp af de isolerede håndtagsflader, når der skal saves i emner, hvor skæreværktøjet kan berøre skjulte ledninger eller sit eget kabel. Kontakt med med en strømførende ledning vil også gøre blotlagte metaldele på elværktøjet strømførende og give stød til brugeren.
- ◆ Hold alle kropsdele på afstand af skæreklingen. Fjern ikke skåret materiale eller hold fast i materiale, der skal skæres, når klingerne bevæger sig. Kontroller at kontakten er slået fra ved udtagning af fastklemt materiale. Et øjeblikks uopmærksomhed under brugen af værktøjet kan resultere i alvorlige personskader.
- ◆ Bær hækkeklipperen i håndtaget med stoppet skæreklinge. Under transport eller opbevaring af hækkeklipperen, sæt altid beskyttelsesskærmen på. Korrekt håndtering af hækkeklipperen vil nedsætte risikoen for personskader fra skæreklingerne.

- ◆ Hold kablet væk fra klippeområdet. Under klipning kan kablet blive skjult i buske og kan ved et uheld blive skåret over af klingerne.
- ◆ Den tilsigtede anvendelse er beskrevet i denne betjeningsvejledning. Hvis der udføres andre opgaver end dem, der anbefales i denne betjeningsvejledning med dette værktøj eller tilbehør eller udstyr, kan det medføre risiko for personskade og/eller beskadigelse af ejendom.
- ◆ Bær ikke værktøjet med dine hænder på det forreste håndtag, kontakt eller udløsekontakt, medmindre værktøjet er blevet afbrudt fra strømkilden.
- ◆ Hvis du ikke har brugt en hækkeklipper før, bør du helst søge rådgivning hos en erfaren bruger ud over at studere denne betjeningsvejledning.
- ◆ Rør aldrig ved klingerne, mens værktøjet kører.
- ◆ Forsøg aldrig at tvinge klingerne til at stoppe.
- ◆ Sæt ikke værktøjet fra dig, før klingerne står helt stille.
- ◆ Kontroller regelmæssigt klingerne for beskadigelse og slid. Brug ikke værktøjet, hvis skæreklingen er beskadiget.
- ◆ Pas på, at du ikke rammer hårde genstande (f.eks. metaltråde, stakitter) under klipningen. Hvis du ved et uheld skulle ramme en sådan genstand, slå omgående værktøjet fra og kontroller, om der er opstået en skade.
- ◆ Hvis værktøjet starter med at vibrere, slå det omgående fra og kontroller det for beskadigelse.
- ◆ Sluk omgående værktøjet, hvis det går i stå. Tag ledningen ud af stikkontakten, før du forsøger at fjerne forhindringer.
- ◆ Sæt den medfølgende afskærmning på klingerne efter brug. Værktøjet må ikke opbevares med utildækket skæreklinge.
- ◆ Kontroller altid, at alle afskærmninger er monteret, når du bruger værktøjet. Forsøg aldrig at bruge et mangelfuldt værktøj eller et værktøj hvor der er foretaget uautoriserede ændringer.
- ◆ Lad aldrig børn bruge værktøjet.
- ◆ Vær opmærksom på nedfaldende afklip ved klipning af høje hække.
- ◆ Hold altid værktøjet med begge hænder i håndtagene.

## Andres sikkerhed

- ◆ Lad aldrig børn, personer med nedsatte fysiske, sensoriske eller mentale evner eller manglende erfaring og viden, eller folk der ikke kender disse instruktioner bruge maskinen, lokale regler kan begrænse operatørens alder.
- ◆ Brug aldrig maskinen, mens der er andre i nærheden, især børn eller kæledyr.

## Vibration

De angivne værdier for udsendelse af vibration anført under de tekniske data og overensstemmelseserklæringen er målt i henhold til standardtestmetoden i EN50636 og kan bruges til at sammenligne ét værktøj med et andet.

Den angivne vibrationsemissionsværdi kan også bruges som en foreløbig vurdering af eksponeringen.

**Advarsel!** Værdien for udsendelse af vibration ved faktisk brug af elværktøjet kan afvige fra den angivne værdi afhængig af måden, værktøjet anvendes på.

Vibrationsniveauet kan overstige det angivne niveau.

I vurderingen af eksponeringen for vibration med henblik på fastsættelse af sikkerhedsforanstaltninger som krævet i 2002/44/EF til beskyttelse af personer, der jævnligt anvender elværktøj i deres arbejde, skal der tages hensyn til de faktiske betingelser under brugen, og måden værktøjet bruges på, herunder alle arbejdsryklussens elementer, f.eks. perioder, hvor værktøjet er slukket, og hvor det kører i tomgang, tillige med startperioderne.

## Restrisici.

Der kan opstå yderligere restrisici under brugen af værktøjet, som ikke kan medtages i vedlagte sikkerhedsadvarsler. Disse risici kan opstå pga. forkert anvendelse, langvarig brug etc. Selv ved overholdelse af relevante sikkerhedsforskrifter og anvendelse af sikkerhedsudstyr kan visse restrisici ikke undgås. Disse omfatter:

- ◆ Tilskadekomst forårsaget af berøring af roterende/bevægelige dele.
- ◆ Tilskadekomst forårsaget af udskiftning af dele, klinger eller tilbehør.
- ◆ Tilskadekomst forårsaget af langvarig brug af et værktøj. Husk at holde pause jævnligt ved brug af et værktøj i længere tid.
- ◆ Hørenedsættelse.
- ◆ Sundhedsrisici forårsaget af indånding af støv, der genereres ved brug af værktøjet (eksempel: Arbejde med træ, især, eg, bøg og MDF.)

## Advarselssymboler

Følgende advarselssymboler vises på værktøjet sammen med datokoder:



**Advarsel!** Brugeren skal læse brugervejledningen for at reducere risikoen for tilskadekomst.



Brug ikke værktøjet i våde omgivelser, og udsæt det ikke for regn eller fugtige omgivelser.



Bær altid beskyttelsesbriller.



Bær altid høreværn.



Bær skridsikkert fodtøj.



Vær opmærksom på faldende genstande.



Hold omkringstående på afstand. Børn skal altid forblive i et område på afstand af, hvor hækkeklipperen bliver brugt.



Risiko for dødsfald pga. elektrisk stød. Hold mindst 10 m afstand fra el-ledninger.



Frakobl omgående fra hovedstrømforsyningen, hvis strømledningen bliver beskadiget.



Direktiv 2000/14/EF garanteret lydeffekt.

## Elektricitet og sikkerhed



Dette værktøj er dobbelt isoleret, derfor er en jordledning ikke nødvendig. Kontrollér altid, at strømforsyningen svarer til spændingen på mærkepladen.

- Hvis netledningen beskadiges, skal den udskiftes af producenten eller et autoriseret Black & Decker værksted, så farlige situationer undgås.

## Brug af en forlængerledning

- Brug altid en godkendt forlængerledning, der er egnet til dette værktøjs strømstik (se de tekniske data). Forlængerledningen skal være egnet til udendørs brug og mærket i overensstemmelse hermed. Der kan bruges en HO7RN-F 2 X-forlængerledning på op til 30 m med et tværsnit på 1,5 mm<sup>2</sup>, uden at produktets ydeevne forringes. Før brug skal forlængerledningen inspiceres for tegn på beskadigelse, slid og ældning. Udskift forlængerledningen, hvis den er beskadiget eller defekt. Ved brug af en ledningstrømler skal ledningen altid rulles helt ud.

## Spændingsfald

- Under visse strømforsyningsforhold kan dette produkt ved start forårsage kortvarige spændingsfald.
- Det kan påvirke andet udstyr. Den elektriske belysning kan f.eks. kortvarigt blive svagere.
- Kontakt om nødvendigt elværket for at få oplyst, om strømforsyningens impedans er under 0,411 ohm.

Der opstår sandsynligvis ikke forstyrrelser under disse forhold.

## Beskyttelse mod elektrisk stød

- Undgå kropskontakt med jordede overflader (f.eks. metalgælendere, lygtepæle osv.). Den elektriske sikkerhed kan forbedres yderligere ved brug af en højfølsom (30 mA / 30 mS) fejlstrømsafbryder.

## Funktioner

Dette værktøj leveres med nogle af eller alle de følgende komponenter.

- 1 Hækkeklipperklinge
- 2 Lufthuller
- 3 Låseknop til justering af vinkel
- 4 Holder til hækkeklipperhoved
- 5 Låsebøsning (øverst)
- 6 Polforlængere
- 7 Låsebøsning (nederst)
- 8 Ledningsnet
- 8a. Fastgørelsesclips
- 9 Polclips
- 10 Låse knap
- 11 Tænd/sluk-kontakt
- 12 Hovedhåndtag
- 13 Strømkabel
- 14 Kabelstrammingsløsner
- 15 Bagerste sikkerhedsafskærmning
- 16 Skede

## Samling



**Advarsel!**Kontroller før samling, at apparatet er slukket, og at ledningen er taget ud af stik-kontakten.



**Advarsel!**Bær altid beskyttelseshandsker, når du arbejder med beskæringssaksen.



**Advarsel!**Dette produkt skal være fuldt monteret før drift. Anvend ikke dette produkt delvis samlet eller samlet med ødelagte dele.

- Beskæringssaksen skal være fuldt monteret i pakken ved levering.
- Fjern klingedækslet (17) fra klingens (1) før drift.

## Slå strømmen til (fig. A)

- Kontroller at beskæreklingen (1) ikke rører ved nogen genstand.
- Tryk på låseknappen (10) og hold den i position.
- Tryk på tænd/sluk-knappen (11) for at slå produktet til.

## Slå fra

- ◆ Slip tænd/sluk-kontakten (11).

**Advarsel!** Forsøg aldrig at fastlåse en kontakt i tændt position.

## Forlængelse af beskærersaksen (fig. B)

- ◆ Løsn den nederste låsebøsning (7).
- ◆ Skub stangen (9) og stangforlængelsen (6) mod hinanden for at trække tilbage eller væk fra hinanden for at forlænge.
- ◆ Stram låsebøsningen (7), når den ønskede længde er opnået.

**Advarsel!** Kontroller jævnligt, at forbindelserne er helt spændt.

**Advarsel!** Længden på forlængerstangen er begrænset. Stop med at skubbe / trækker, så snart du føler modstand. Forlæng kun

indtil den nødvendige længde til at nå hækken, der skal klippes, er opnået. Forsøg ikke at bruge produktet ved en længde, som ikke giver dig mulighed for at få ordentligt fodfæste og balance på alle tidspunkter.

## Vinkeljustering (fig. C)

- ◆ Tryk låseknappen (3) på hækkeklipperhovedet ned under justering af den.
- ◆ Kontroller at låseknappen (3) klikker sikkert på plads.

**Advarsel!** Hovedet kan indstilles i fem forskellige positioner. Kontroller altid at hovedet er sikkert låst. Forsøg ikke at bruge produktet med hovedet i alle andre positioner eller ulåst.

## Anvendelse

**Advarsel!** Lad værktøjet arbejde i dets eget tempo. Det må ikke overbelastes.

## Klipning (fig. D, E, F, G)

- ◆ Juster stangen til den nødvendige længde.
- ◆ Klip og fjern grene, der overstiger dette produkts skærekapacitet ved hjælp af en håndholdt beskærersaks før drift.

**Bemærk:** Blokering af klingens på store grene kan forårsage skader.

- ◆ Hold altid godt fast i produktet med begge hænder på grebfladen og håndtaget. Arbejd aldrig med dette værktøj med kun en hånd.

**Bemærk:** Prøv at holde klingerne vinklet ved ca. 15° til skærefladen (fig. D).

- ◆ Klip begge sider fra bunden og klip opad, dette vil forhindre, at nogle af afklippene falder ned i det område, der stadig skal klippes.
- ◆ Efter klipping af siderne fortsæt til toppen.

- ◆ Under klipping af brede hække med klipningsområdet i syne bevæg klingens let gennem skærefladen i en fejende bevægelse efter formen på hækken eller busken. En lille hældning nedad af skæreklingen i retning af bevægelsen anbefales for optimal skæreydelse.
- ◆ Bevæg hækkeklipperen langsomt fremad under klipping af et område, der ikke er synligt.
- ◆ Skynd dig ikke og forsøg ikke at klippe mest muligt med et strøg med skæreklingen.
- ◆ Klip i et antal trin, hvis det område, der skal klippes, er meget langt, for at opnå det bedste resultat.
- ◆ Du kan opnå et meget lige snit ved at udspænde et stykke snor langs længden af hækken i den ønskede højde. Brug snoren til at klippe efter, og klip lige over den (fig. E).
- ◆ For at få flade sider skal du klippe opad i vækstretningen. Yngre stængler flyttes udad, når klingens skærer nedad og forårsager flade pletter i hækken (fig. E).
- ◆ Vær omhyggelig med at undgå alle fremmedlegemer. Undgå specielt hårde genstande som f.eks. metaltråd og gelændere, da disse kan beskadige klingerne.
- ◆ Smør regelmæssigt klingerne med olie.

## Retningslinjer for klipping (Storbritannien og Irland)

- ◆ Beskær hække og buske med årstidens blade (nye blade hvert år) i juni og oktober.
- ◆ Beskær stedsegrønne planter i april og august.
- ◆ Beskær nåletræer og andre hurtigt voksende buske hver sjette uge fra maj til oktober.

## Retningslinjer for klipping (Australien og New Zealand)

- ◆ Beskær hække og buske med årstidens blade (nye blade hvert år) i december og marts.
- ◆ Beskær stedsegrønne planter i september og februar.
- ◆ Beskær nåletræer og andre hurtigt voksende buske hver sjette uge fra oktober til marts.

## Rengøring, vedligeholdelse og opbevaring

Dit BLACK+DECKER-apparat/værktøj med eller uden ledning er beregnet til brug gennem lang tid med et minimum af vedligeholdelse.

Vedvarende tilfredsstillende funktion er afhængig af, om værktøjet plejes korrekt og rengøres regelmæssigt.

**Advarsel!** Før udførelse af nogen form for vedligeholdelse på elværktøj med/uden ledning:

- ◆ Sluk og tag apparatets/værktøjets stik ud af stikkontakten.
- ◆ Eller sluk og fjern batteriet fra apparatet/værktøjet, hvis det har en separat batteripakke.
- ◆ Eller aflad batteriet helt, hvis det er indbygget, og sluk derefter.

Rengør jævnligt apparatets/værktøjets/laderens ventilationshuller med en blød børste eller en tør klud.

Rengør med jævne mellemrum motorhuset med en fugtig klud. Der må ikke bruges skuremidler eller opløsningsmidler.

- ◆ Rengør jævnligt apparatets/værktøjets/laderens ventilationshuller med en blød børste eller en tør klud.
- ◆ Rengør med jævne mellemrum motorhuset med en fugtig klud. Der må ikke bruges skuremidler eller opløsningsmidler.

### Efter brug og før opbevaring

- ◆ Rengør regelmæssigt ventilationsåbningerne med en ren, tør pensel.
- ◆ Brug kun et mildt rengøringsmiddel og en fugtig klud til rengøring af apparatet/værktøjet/laderen. Lad aldrig væske trænge ind, og nedsenk aldrig nogen del i væske.
- ◆ Fjern smuds med en hård børste.
- ◆ Smør klingens med olie.

### Udskiftning af netstik (kun Storbritannien og Irland)

Hvis et nyt lysnetstik skal monteres:

- ◆ Det gamle stik skal bortskaffes på en sikker måde.
- ◆ Tilslut den brune ledning til den strømførende klemme på det nye stik.
- ◆ Tilslut den blå ledning til den neutrale klemme.

**Advarsel!** Der skal ikke tilsluttes til jordklemmen. Følg de monteringsinstruktioner, der følger med stik af god kvalitet. Anbefalet sikring: 5 A.

### Miljøbeskyttelse



Særskielt bortskaffelse. Produkter og batterier mærket med dette symbol må ikke bortskaffes sammen med normalt husholdningsaffald.

Produkter og batterier indeholder materialer, der kan blive gendannet eller genanvendt og således reducere efterspørgslen efter råvarer.

Genbrug venligst elektriske produkter og batterier i henhold til lokale regulativer. Yderligere informationer findes på [www.2helpU.com](http://www.2helpU.com).

### Tekniske data

		PH5551
Indgangs- spænding	V <sub>ac</sub>	230
Tomgangshastighed	min <sup>-1</sup>	3300
Klingelængde	mm	515
Klingebræmsetid	s	<1
Vægt	kg	4.1

Lydtrykniveau i henhold til EN ISO 11680-1, EN ISO 3744:
Lydtryk (L <sub>20A</sub> ) 90,3 dB(A), usikkerhed (K) 2,5 dB(A)
Lydeffekt (L <sub>WA</sub> ) 100 dB(A), usikkerhed (K) 2,5 dB(A)
Samlede værdier for vibration (triaksial vektorsum) i henhold til EN 60745:
Savning i nyfældet, blødt træ (a <sub>h, W</sub> ) = 1,792 m/s <sup>2</sup> , usikkerhed (K) 1,5 m/s <sup>2</sup>

## EF-overensstemmelseserklæring

MASKINDIREKTIV



### PH5551 hækkeklipper

Black & Decker erklærer, at produkterne beskrevet under "Tekniske data" er i overensstemmelse med:

2006/42/EC og EN 60745-1:2009+A11,  
EN ISO 10517:2009+A1

Lydintensitetsniveau i henhold til 2000/14/EF:

(artikel 13, bilag III):

LWA (målt lydeffekt) 97.2 dB(A)

Usikkerhed = 2,5 dB(A)

LWA (garanteret lydeffekt) 100 dB(A)

Disse produkter er endvidere i overensstemmelse med direktiv 2004/108/EC (indtil 19/04/2016) 2014/30/EU (fra 20/04/2016) og 2011/65/EU.

Kontakt Black & Decker på nedenstående adresse eller se vejledningens bagside for at få flere oplysninger. Undertegnede er ansvarlig for udarbejdelsen af de tekniske data og fremsætter denne erklæring på vegne af Black & Decker.

R.Laverick

Direktør for konstruktioner

Black & Decker Europe, 210 Bath Road, Slough,  
Berkshire, SL1 3YD  
Storbritannien  
11/12/2015

## Garanti

Black & Decker er sikker på kvaliteten af sine produkter og giver forbrugerne en garanti på 24 måneder fra købsdatoen. Garantien er et tillæg til forbrugerens lovsikrede rettigheder og påvirker ikke disse. Garantien er gyldig inden for medlemsstaterne af Den Europæiske Union og Det Europæiske Frihandelsområde.

Når du gør krav på garantien, skal kravet være i overensstemmelse med Black&Decker vilkår og betingelser, og du skal indsende dokumentation for købet til sælgeren eller til en autoriseret reparatør. Vilkår og betingelser for Black & Decker 2 års garanti og placeringen af dit nærmeste autoriserede serviceværksted kan fås på internettet på [www.2helpU.com](http://www.2helpU.com), eller ved at kontakte dit lokale Black & Decker kontor på den adresse, der er angivet i denne vejledning.

Besøg venligst vores websted [www.blackanddecker.co.uk](http://www.blackanddecker.co.uk) for at registrere dit nye Black & Decker produkt og modtage opdateringer om nye produkter og specielle tilbud.

## Käyttötarkoitus

Varrellinen PH5551 BLACK+DECKER -pensasleikkuri on tarkoitettu pensaiden leikkaamiseen. Tämä työkalu on tarkoitettu vain yksityiskäyttöön.

## Turvallisuusohjeet

### Sähkötyökalujen yleiset turvavaroitukset



**Varoitus!** Lue kaikki turvallisuusvaroitukset ja ohjeet. Alla olevien varoitusten ja ohjeiden noudattamisen laiminlyönti saattaa johtaa sähköiskuun, tulipaloon ja/tai vakavaan loukkaantumiseen.

**Säästä kaikki varoitukset ja ohjeet tulevaa käyttöä varten.** Varoituksissa käytetty käsite "sähkötyökalu" tarkoittaa verkkokäyttöisiä sähkötyökaluja (joissa on verkkojohto) ja akkukäyttöisiä sähkötyökaluja (joissa ei ole verkkojohtoa).

### 1. Työalueen turvallisuus

- Pidä työalue puhtaana ja hyvin valaistuna.**  
Onnettomuuksia sattuu herkemmin epäsiistissä tai huonosti valaistussa ympäristössä.
- Älä käytä sähkötyökalua räjähdysalttiissa ympäristössä, jossa on syttyvää nestettä, kaasua tai pölyä.** Sähkötyökalujen aiheuttamat kipinät voivat sytyttää pölyn tai kaasut.
- Pidä lapset ja sivulliset loitolla sähkötyökalua käyttäessäsi.** Keskitymiskyvyn herpaantuminen voi aiheuttaa hallinnan menettämisen.

### 2. Sähköturvallisuus

- Sähkötyökalun pistokkeen on sovitava pistorasiaan. Älä koskaan tee pistokkeeseen mitään muutoksia. Älä yhdistä maadoitettua sähkötyökalua jatkojohtoon.** Sähköiskun vaara vähenee, jos pistokkeisiin ei tehdä muutoksia ja ne yhdistetään vain niille tarkoitettuihin pistorasioihin.
- Vältä koskettamasta maadoitettuja pintoja, kuten putkia, lämpöpattereita, liesiä tai jääkaappeja.** Voit saada sähköiskun, jos kehosi on maadoitettu.
- Älä altista sähkötyökalua sateelle tai kosteudelle.** Sähkötyökaluun menevä vesi lisää sähköiskun vaaraa.
- Älä käsittele virtajohtoa kovakouraisesti. Älä kannata työkaluja sähköjohdosta tai vedä pistoketta pistorasiasta sähköjohdon avulla. Pidä sähköjohto kaukana kuumuudesta, öljystä, terävistä reunoista tai liikkuvista osista.** Vaurioituneet tai sokeutuneet johdot lisäävät sähköiskun vaaraa.
- Käyttäessäsi sähkötyökalua ulkona käytä ainoastaan ulkokäyttöön soveltuvaa jatkojohtoa.**



Ulkokäyttöön tarkoitettujen sähköjohdon käyttäminen vähentää sähköiskun vaaraa.

- f. **Jos sähkötyökalua on välttämättä käytettävä kosteassa paikassa, käytä vikavirtasuojalla (RCD) suojattua virtälähdettä.**  
Tämä vähentää sähköiskun vaaraa.
3. **Henkilöturvallisuus**
- a. **Ole valpas, keskity työhön ja noudata tervettä järkeä sähkötyökalun käytössä. Älä käytä tätä työkalua ollessasi väsynyt tai alkoholin, huumeiden tai lääkkeiden vaikutuksen alaisena.** Keskittymisen herpaantuminen hetkeksikin sähkötyökalua käytettäessä voi aiheuttaa vakavan henkilövahingon.
- b. **Käytä henkilökohtaisia suojavarusteita. Käytä aina suojalaseja.** Hengityssuojaimen, liukumattomien turvajalkineiden, kypärän ja kuulosuojaimen käyttäminen vähentää henkilövahinkojen vaaraa.
- c. **Vältä tahatonta käynnistämistä. Varmista, että kytkin on OFF-asennossa, ennen kuin liität laitteen virtälähteeseen ja/tai akkuun, nosta laitteen tai kannat sitä.** Sähkötyökalun kantaminen sormi virtakytkimellä lisää onnettomuusvaaraa.
- d. **Irrota mahdollinen säätö- tai kiintoavain ennen kuin käynnistät sähkötyökalun.** Sähkötyökalun pyöriivään osaan kiinni jäänyt avain voi johtaa loukkaantumiseen.
- e. **Älä kurkotta. Huolehdi siitä, että sinulla on koko ajan tukeva jalansija ja hyvä tasapaino.** Näin voit hallita sähkötyökalua paremmin odottamattomissa tilanteissa.
- f. **Käytä tarkoitukseen soveltuvia vaatteita. Älä käytä löysiä vaatteita tai koruja. Pidä hiukset, vaatteet ja kädet loitolla liikkuvista osista.** Löysät vaatteet, korut tai pitkät hiukset voivat tarttua liikkuviin osiin.
- g. **Jos työkalun voi liittää pölynimuriin, tarkista, että liitos on tehty asianmukaisesti ja että laitteita käytetään oikealla tavalla.** Pölyn ottaminen talteen voi vähentää pölyn aiheuttamia vaaroja.
4. **Sähkötyökalujen käyttö ja hoito**
- a. **Älä yliuormita sähkötyökalua. Valitse käyttötarkoituksen kannalta oikea sähkötyökalu.** Sähkötyökalu toimii paremmin ja turvallisemmin, kun sitä käytetään sille suunniteltuun käyttötarkoitukseen.
- b. **Älä käytä sähkötyökalua, jota ei voida käynnistää ja pysäyttää virtakytkimestä.** Jos sähkötyökalua ei voi hallita kytkimen avulla, se on vaarallinen ja se on korjattava.
- c. **Irrota pistotulppa pistorasiasta ja/tai akku laitteesta ennen kuin suoritat säätöjä, vaihdat tarvikkeita tai siirrrät sähkötyökalun varastoitavaksi.** Näin voit vähentää vahingossa käynnistymisen aiheuttaman henkilövahingon vaaraa.

- d. **Säilytä sähkötyökalut poissa lasten ulottuvilta, kun niitä ei käytetä. Älä anna sähkötyökalua sellaisen henkilön käyttöön, joka ei tunne sitä tai joka ei ole tutustunut tähän käyttöohjeeseen.** Sähkötyökalut ovat vaarallisia kouluttamattomien käyttäjien käsissä.
- e. **Hoida sähkötyökalusi huolella. Tarkista, että liikkuvat osat toimivat moitteettomasti ja etteivät ne ole puristuksessa.** Tarkista myös, ettei työkalussa ei ole murtuneita tai vahingoittuneita osia, jotka saattaisivat vaikuttaa haitallisesti sen toimintaan. Jos havaitset vaurioita, korjauta sähkötyökalu ennen niiden käyttämistä. Huonosti kunnossapidetyt sähkötyökalut aiheuttavat onnettomuuksia.
- f. **Pidä leikkausterät terävinä ja puhtaina.** Kunnossa pidettyjen leikkaavien teräviä reunoja sisältävien työkalut todennäköisyys jumiutua vähenee, ja niitä on helpompi hallita.
- g. **Käytä sähkötyökaluja, tarvikkeita, vaihtoteriä yms. näiden ohjeiden mukaisesti. Ota tällöin huomioon työolosuhteet ja suoritettava toimenpide.** Jos sähkötyökalua käytetään näiden ohjeiden vastaisesti, voi syntyä vaaratilanne.

## 5. Huolto

- a. **Korjauta sähkötyökalu koulutetulla ja ammattitaitoisella henkilöllä ja hyväksy korjauksiin vain alkuperäisiä varaosia.** Tämä varmistaa sähkötyökalun turvallisuuden.



**Varoitus! Varrellisten pensasleikkureiden lisäturvavaroitukset**

Tarkoitettu käyttö on kuvattu tässä käyttöohjeessa. Älä käytä työkalua muihin tarkoituksiin, esimerkiksi puiden kaatamiseen. Muiden kuin ohjeissa suositeltujen lisävarusteiden tai -osien käyttö sekä työkalun käyttö muuhun kuin oppaassa suositeltuun tarkoitukseen voi aiheuttaa loukkaantumisvaaran.

- ◆ Pidä sähkötyökalua eristetyistä kahvoista, kun leikkuri voi koskettaa piilossa oleviin sähköjohtoihin tai sen omaan virtajohtoon. Jos laite koskettaa jännitteenalaisiin johtoihin, jännite välittyy työkalun metalliosiin ja olemassa on sähköiskuvaara.
- ◆ Älä pidä kehoa lähellä leikkurin terää. Älä poista leikattua materiaalia tai pidä leikattavasta materiaalista kiinni terien liikkessa. Varmista, että kytkin on kytketty pois päältä ennen kuin poistat kiinni jäänyttä materiaalia. Hetken tarkkaamattomuus työkalua käytettäessä saattaa johtaa vakavaan loukkaantumiseen.
- ◆ Kanna pensasleikkuria kahvasta, kun leikkurin terä on pysäytetty. Kun pensasleikkuria kuljetetaan tai se asetetaan säilöön, asenna aina leikkurin suojus paikoilleen. Pensasleikkurin oikeaoppisella käsittelyllä voidaan välttää terien aiheuttamat henkilövahinkovaarat.

- ◆ Pidä kaapeli poissa leikkausalueelta. Käytön aikana kaapeli voi olla pilossa pensaikossa ja voit leikata sitä vahingossa.
- ◆ Tarkoitettu käyttö on kuvattu tässä käyttöohjeessa. Muiden kuin ohjeissa suositeltujen lisävarusteiden tai -osien käyttö sekä työkalun käyttö muuhun kuin oppaassa suositeltuun tarkoitukseen voi aiheuttaa loukkaantumisaarua ja/tai omaisuusvahinkoja.
- ◆ Älä kannu laitetta pitämällä käsiä etukahvassa, kytkimellä tai liipaisimella, ellei työkalua ole irrotettu virtalähteestä.
- ◆ Jos et ole käyttänyt pensasleikkuria aikaisemmin, pyydä käytännön ohjeita kokoneelta käyttäjältä ja lue tämä ohjekirja huolellisesti.
- ◆ Älä koskaan koske terin työkalun ollessa käynnissä.
- ◆ Älä jarruta terän pysähtymisliikettä.
- ◆ Älä laske työkalua alas, ennen kuin terät ovat pysähtyneet kokonaan.
- ◆ Tarkista säännöllisesti, etteivät terät ole vahingoittuneet tai kuluneet. Älä käytä työkalua, jos sen terät ovat vioittuneet.
- ◆ Vältä kovia esineitä (esimerkiksi metallilankaa, kaiteita) leikkauksen aikana. Jos osut vahingossa johonkin esineeseen, kytke laite välittömästi pois päältä ja tarkista mahdolliset vauriot.
- ◆ Jos laite alkaa tärinästä poikkeavasti, kytke se välittömästi pois päältä ja tarkista mahdolliset vauriot.
- ◆ Jos työkalu pysähtyy, katkaise sen virta heti. Irrota työkalu virtalähteestä, ennen kuin yrität poistaa esteet.
- ◆ Aseta terän suojuksen terien päälle käytön jälkeen. Säilytä työkalua siten, ettei sen terä ole paljaana.
- ◆ Varmista, että kaikki suojukset ovat paikallaan työkalua käytettäessä. Älä koskaan yritä käyttää puutteellista työkalua tai työkalua, johon on tehty luvattomia muutoksia.
- ◆ Älä koskaan anna lasten käyttää työkalua.
- ◆ Varo putoavia oksia, kun leikkaat pensasaidan yläreunoja.
- ◆ Pidä työkalusta aina kiinni molemmin käsin työkaluin kahvoista.

## Muiden henkilöiden turvallisuus

- ◆ Lapset, fyysisesti, aistillisesti tai henkisesti puutteelliset tai kokemattomat ja kouluttamattomat henkilöt, jotka eivät tunne näitä ohjeita, eivät saa koskaan käyttää konetta. Paikalliset määräykset voivat asettaa käyttäjän ikärajoitukset.
- ◆ Älä koskaan käytä laitetta muiden henkilöiden (erityisesti lapsien) tai eläinten läheisyydessä.

## Tärinä

Teknisissä tiedoissa ja vaatimustenmukaisuusvakuutuksessa ilmoitettu tärinäpäästöarvo on mitattu EN50636-standardin testausmenetelmän mukaisesti, ja arvoa voi käyttää työkalujen keskinäiseen vertailuun.

Ilmoitettua tärinäpäästöarvoa voi käyttää myös altistumisen alustavaan arviointiin.

**Varoitus!** Sähkötyökalun käytön aikana mitattu todellinen tärinäpäästöarvo voi poiketa ilmoitetusta tärinäpäästöarvosta työkalun käyttötavan mukaan.

Tärinätasoa voi olla ilmoitettua tasoa suurempi.

Kun tärinälle altistumista arvioidaan sen määrittämiseksi, mitä direktiivin 2002/44/EY mukaisia turvatoimenpiteitä vaaditaan sähkötyökaluja säännöllisesti käyttävien henkilöiden suojelemiseksi, tärinälle altistumisen arvioinnissa on otettava huomioon todelliset käyttöolosuhteet ja työkalun käyttötavat. Todellisen käytön lisäksi on kiinnitettävä huomiota myös siihen, milloin työkalu on sammutettuna tai se käy tyhjäkäynnillä.

## Muut riskit

Myös muut kuin turvavaroituksissa mainitut riskit ovat mahdollisia työkalua käytettäessä. Nämä riskit voivat liittyä muun muassa virheelliseen tai pitkäaikaiseen käyttöön.

Tiettyjä jäännösriskejä ei voi välttää, vaikka noudatetaan kaikkia turvamääräyksiä ja käytät turvalaitteita. Näitä ovat:

- ◆ Pyörivien tai liikkuvien osien koskettamisen aiheuttamat vahingot.
- ◆ Osia, teriä tai lisävarusteita vaihdettaessa aiheutuneet vahingot.
- ◆ Työkalun pitkäaikaisen käytön aiheuttamat vahingot. Varmista, että pidät säännöllisesti taukoja työkalun pitkäaikaisen käytön aikana.
- ◆ Kuulon heikkeneminen.
- ◆ Työkalua käytettäessä (esimerkiksi puuta, erityisesti tammea, pöykkiä ja MDF-levyjä käsiteltäessä) syntyneen pölyn sisäänhengityksen aiheuttamat terveysriskit.

## Varoitusmerkit

Työkalussa on seuraavat varoitusmerkit sekä päivämääräkoodi:



**Varoitus!** Käyttäjän on luettava käyttöohje vahinkojen välttämiseksi.



Älä käytä laitetta märissä olosuhteissa tai jätä sitä sateeseen tai kosteaan ympäristöön.



Käytä aina suojalaseja.



Käytä aina kuulonsuojaimia.



Käytä liukuesteturvajalkineita.



Varo putoavia esineitä.



Pidä sivulliset loitolla. Lasten tulee pysyä aina pois pensasleikkurin käyttöalueelta



Tappavan sähköiskun vaara. Pysy vähintään 10 metrin päässä yli kulkevista jännitejohdoista.



Katkaise virta välittömästi, jos virtajohto vaurioituu



Direktiivin 2000/14/EY mukainen taattu ääniteho.

## Sähköturvallisuus



Tämä työkalu on kaksoeristetty, joten erillistä maadoitusta ei tarvita. Tarkista aina, että verkkovirran jännite vastaa tyyppikilpeen merkittyä jännitettä.

- ◆ Jos virtajohto vahingoittuu, sen vaihtaminen on turvallisuussyistä jätettävä valmistajan tai valtuutetun Black & Decker -huollon tehtäväksi.

## Jatkojohdon käyttäminen

- ◆ Käytä aina oikeanlaista jatkojohtoa, joka sopii tämän laitteen virransyöttöliitäntään (katso kohta Tekniset tiedot). Jatkojohdon on oltava ulkokäyttöön soveltuva ja siinä on oltava soveltavuudesta ilmoitettava merkintä. Laitteen kanssa voidaan käyttää enintään 30 m pitkää 1.5 mm<sup>2</sup>:n HO7RN-F 2 X -jatkajohtoa ilman tehon heikkenemistä. Tarkista jatkojohdon kunto ennen sen käyttämistä. Vahingoittunut tai viallinen kaapeli on vaihdettava. Jos käytät johtokelaa, kelaa johto aina kokonaan auki.

## Jännitteen aleneminen

- ◆ Joissakin virransyöttötilanteissa laite voi aiheuttaa lyhytaikaisen jännitteen alenemisen käynnistyksen aikana.
- ◆ Tämä voi vaikuttaa myös muihin laitteisiin. Esimerkiksi sähkövalojen kirkkaus voi hetkellisesti heiketä.
- ◆ Ota tarvittaessa yhteyttä sähköntoimittajaan, jos haluat selvittää, onko virtalähteen impedanssi pienempi kuin 0,411 ohmia. Tällöin häiriöiden esiintyminen on epätodennäköistä.

## Suojaudu sähköiskuilta.

- ◆ Vältä itse koskettamasta maadoitettuihin pintoihin (esim. metallikalusteisiin, lyhtypylväisiin jne.). Sähköturvallisuutta voi parantaa käyttämällä erittäin herkkää (30 mA / 30 mS) vikavirtasuojaa.

## Yleiskuvaus

Tässä työkalussa on joitakin tai kaikki seuraavista ominaisuuksista.

1. Pensasleikkurin terä
2. Ilmanvaihtoaukot
3. Lukituskulman säätöpainike
4. Pensasleikkurin päätuki
5. Lukituslaippa (ylempi)
6. Varren pidennys
7. Lukituslaippa (alempi)
8. Valjaat
- 8a. Pidike
9. Varren kahva
10. Lukituspainike
11. Virtakytkin
12. Pääkahva
13. Virtajohto
14. Kaapelin vedonpoistaja
15. Takasuojus
16. Tuppi

## Asennus



**Varoitus!**Varmista ennen kokoamista, että virta on katkaistu ja että virtajohto on irti pistorasiasta.



**Varoitus!**Käytä aina suojakäsineitä, kun käsittelet varsileikkuria.



**Varoitus!**Tämä leikkuri tulee koota kokonaan ennen käyttöä. Älä käytä osittain asennettua leikkuria tai jos sen osat ovat vaurioituneet.

- ◆ Toimitettu varsileikkuri on koottu kokonaan sen pakkauksessa.
- ◆ Irrota teräsuojus (17) terästä (1) ennen käyttöä.

## Käynnistäminen (kuva A)

- ◆ Varmista, ettei varsileikkurin terä (1) kosketa mitään esinettä.
- ◆ Paina lukituspainiketta (10) ja pidä sitä alhaalla.
- ◆ Käynnistä leikkuri painamalla virtakytkintä (11).

## Sammuttaminen

- ◆ Päästä irti virtakytkimestä (11).

**Varoitus!** Älä koskaan yritä lukita kytkimiä käyttöasentoon.

**Varsileikkurin pidentäminen (kuva B)**

- ◆ Löysää alemmaa lukituslaippaa (7).
- ◆ Paina vartta (9) ja varren pidennystä (6) toisiaan kohti niiden vetämiseksi sisään tai toisistaan pois päin varren pidentämiseksi.
- ◆ Kiristä lukituslaippa (7), kun olet säätänyt varren haluamaasi pituuteen.

**Varoitus!** Tarkista liitännät säännöllisesti varmistaaksesi, että ne ovat tiukasti kiinni.

**Varoitus!** Pidennettävän varren pituus on rajallinen. Lopeta työntäminen/vetäminen heti kun tunnet vastusta. Säädä varsi ainoastaan vaadittuun pituuteen leikkattavan pensaan mukaan. Älä yritä käyttää leikkuria pituudella, joka ei salli hyvänjalansijan ja tasapainon säilyttämistä.

**Kulman säätäminen (kuva C)**

- ◆ Paina leikkuupään lukituspainiketta (3) sen säätämiseksi.
- ◆ Varmista, että lukituspainike (3) napsahtaa hyvin paikoilleen.

**Varoitus!** Pää voidaan säätää viiteen eri asentoon. Varmista aina, että pää on lukittunut hyvin paikoilleen. Älä yritä käyttää leikkuria, jos pää on jossakin muussa asennossa tai irti.

**Käyttö**

**Varoitus!** Anna työkalun käydä omaan tahtiinsa. Älä ylikuormita sitä.

**Leikkaaminen (kuvat D, E, F, G)**

- ◆ Säädä varsi vaaditun pituuden mukaan.
- ◆ Leikkaa ja poista tähän leikkuriin sopimattomat oksat etukäteisen käsikäyttöisellä reunaleikkurilla.

**Huomautus:** Vahinkoja voi syntyä, jos terä jää kiinni suuriin oksiin.

- ◆ Pidä leikkuria aina tiukasti molemmilla käsillä sen kahvoista. Älä koskaan käytä tätä leikkuria yhdellä kädellä.

**Huomautus:** Pyri pitämään terät noin 15° kulmassa leikkauspintaan nähden (kuva D).

- ◆ Leikkaa molemmat puolet alhaalta ylöspäin, täten vältät leikatun osan putoamisen leikkattavaan kohtaan.
- ◆ Leikkaa ylösa sivujen jälkeen.
- ◆ Kun leikkaat leveitä pensaita leikkausalueen ollessa näkyvissä, siirrä leikkuuterää kevyesti leikkuupinnan läpi pyyhkivien liikkein ja myötälleillen pensaan muotoa. Paras leikkaustulos saavutetaan kallistamalla terää hiukan alaspäin liikkeen suuntaan.
- ◆ Liikuta leikkuria hitaasti eteenpäin, kun leikkaat näkyvätömissä olevaa kohtaa.

- ◆ Vältä kiirehtimästä ja leikkaamasta liikaa yhdellä terän liikkeellä.
- ◆ Leikkaa useaan kertaan parhaan tuloksen saavuttamiseksi, jos leikattava alue on erityisen pitkä.
- ◆ Voit leikata erittäin suoraan asettamalla ohjausnarun leikkattavan pensaan koko pituudelta haluamallesi korkeudelle.
- ◆ Käytä narua apuna ja leikkaa sen yläpuolelta (kuva E).
- ◆ Saat aikaiseksi suorat reunat leikkaamalla ylöspäin kasvusuunnassa. Uudemmat varret liikkuvat ulospäin, kun terällä leikataan alaspäin. Tällöin pensaaseen tulee syvennyksiä (kuva E).
- ◆ Vältä osumasta muihin esineisiin. Vältä erityisesti kovia kohteita (esim. metallivaijerit ja kaiteet), sillä ne voivat vahingoittaa teriä.
- ◆ Voitele terät säännöllisesti.

**Trimmausohjeet (Iso-Britannia ja Irlanti)**

- ◆ Trimmaa lehtipensaat kesä- ja lokakuussa.
- ◆ Trimmaa havupensaat huhti- ja elokuussa.
- ◆ Trimmaa katajat ja muut nopeasti kasvavat pensaat kuuden viikon välein toukokuusta lokakuuhun.

**Trimmausohjeet (Australia ja Uusi-Seelanti)**

- ◆ Trimmaa lehtipensaat joului- ja maaliskuussa.
- ◆ Trimmaa havupensaat syys- ja helmikuussa.
- ◆ Trimmaa katajat ja muut nopeasti kasvavat pensaat kuuden viikon välein lokakuusta maaliskuuhun.

**Puhdistus, hoito ja säilytys**

Verkkohjohdolla varustettu tai verkkohjohdoton BLACK+DECKER-laite on suunniteltu toimimaan mahdollisimman kauan mahdollisimman vähällä huollolla. Oikea käsittely ja säännöllinen puhdistus varmistavat laitteen ongelmattoman toiminnan.

**Varoitus!** Ennen verkkohjohdolla varustetun tai verkkohjohdoton sähkötyökalun huoltoa toimi seuraavasti.

- ◆ Sammuta laite/työkalu ja irrota se verkkovirrasta.
- ◆ Jos laitteessa/työkalussa on erillinen akku, sammuta laite/työkalu ja irrota sen akku.
- ◆ Jos akku on kiinteä, käytä akku täysin loppuun ja sammuta laite sitten.

Puhdista laitteen/työkalun/laturin ilma-aukot säännöllisesti pehmeällä harjalla tai kuivalla kangasliinalla.

Puhdista moottorikotelo säännöllisesti kostealla liinalla. Älä käytä hankaavia tai liuotinpohjaisia puhdistusaineita.

- ◆ Puhdista laitteen/työkalun/laturin ilma-aukot säännöllisesti pehmeällä harjalla tai kuivalla kangasliinalla.
- ◆ Puhdista moottorin kotelo säännöllisesti kostealla rätillä. Älä käytä hankaavia tai liuotinpohjaisia puhdistusaineita.

**Käytön jälkeen ja ennen varastointia**

- ◆ Puhdista ilma-aukot puhtaalla, kuivalla maalisiveltimellä.
- ◆ Käytä laitteen/laturin puhdistukseen vain mietoa saippualluosta ja kosteaa liinaa. Älä koskaan päästä nestettä valumaan sisään äläkä upota mitään osaa nesteeseen.
- ◆ Poista roskat kovalla harjalla.
- ◆ Voitele terä öljyllä.

**Varaverkkopistoke (vain Iso-Britannia ja Irlanti)**

Jos uusi verkkopistoke täytyy asentaa:

- ◆ Hävitä vanha pistoke ympäristöystävällisesti.
- ◆ Liitä ruskea johto uuden pistokkeen jännitteeseen napaan.
- ◆ Liitä sininen johto tähtipisteliitimeen.

**Varoitus!** Maadoitusliittimeen ei tule tehdä liitoksia. Noudata korkealaatuisten pistokkeiden mukana toimitettuja asennusohjeita. Suositeltu varoke: 5 A.

**Ympäristönsuojelu**

Toimita tämä laite erilliskeräykseen. Tällä symbolilla merkityjä tuotteita ja akkuja ei saa hävittää tavallisen kotitalousjätteen mukana.

Tuotteissa ja akuissa on materiaaleja, jotka voidaan ottaa talteen tai kierrättää uudelleen käyttöä varten. Kierrätä sähkölaitteet ja akut paikallisten määräyksien mukaan. Lisätietoa on saatavilla osoitteessa [www.2helpU.com](http://www.2helpU.com).

**Tekniset tiedot**

		PH5551
Tulojännite	V <sub>ac</sub>	230
Kuormittamaton nopeus	min <sup>-1</sup>	3300
Terän pituus	mm	515
Terän jarrutus aika	s	<1
Paino	Kg	4,1

Äänenpainetaso standardien EN ISO 11680-1 ja EN ISO 3744 mukaisesti:

Äänenpaine (L<sub>PA</sub>) 90,3 dB(A), epävarmuus (K) 2,5 dB(A)

Äänitehotaso (L<sub>WA</sub>) 100 dB(A), epävarmuus (K) 2,5 dB(A)

Tärinän kokonaisarvot (vektorisumma) standardin EN 60745 mukaisesti:

Juuri kaadettun pehmeän puun katkaisemisen (a<sub>h, w</sub>) = 1,792 m/s<sup>2</sup>, epävarmuus (K) 1,5 m/s<sup>2</sup>

Black & Decker ilmoittaa, että tuotteet, jotka on kuvattu kohdassa Tekniset tiedot, täyttävät seuraavien direktiivien vaatimukset:

2006/42/EY ja EN 60745-1:2009+A11,  
EN ISO 10517:2009+A1

Äänitehotaso mitattuna standardin 2000/14/EY mukaisesti (Artikla 13, liite III):

LWA (mitattu ääniteho) 97,2 dB(A)  
Epätarkkuus = 2,5 dB(A)  
LWA (taattu ääniteho) 100 dB(A)

Nämä tuotteet täyttävät myös direktiivien 2004/108/EY (19.4.2016 saakka), 2014/30/EU (20.4.2016 alkaen) ja 2011/65/EU vaatimukset.

Lisätietoja saa ottamalla yhteyden Black & Deckeriin seuraavassa osoitteessa. Tiedot ovat myös käyttöohjeen takakannessa.

Allekirjoittanut vastaa teknisten tietojen kokoamisesta tehden tämän ilmoituksen Black & Deckerin puolesta.

R. Laverick

**Teknisen osaston** johtaja

Black & Decker Europe, 210 Bath Road, Slough,  
Berkshire, SL1 3YD  
Iso-Britannia  
11.12.2015

**Takuu**

Black & Decker on vakuuttanut tuotteidensa korkeasta laadusta ja tarjoaa kuluttajille 24 kuukauden takuun, joka astuu voimaan ostopäivänä. Takuu on lisäys kuluttajan laillisiin oikeuksiin eikä vaikuta niihin. Tämä takuu on voimassa kaikissa EU- ja ETA-maissa.

Edellytyksenä takuun saamiselle on, että vaade täyttää Black & Deckerin ehdot ja että ostaja toimittaa ostotositteen jälleenmyyjälle tai valtuutetulle huoltoliikkeelle. Black & Deckerin kahden vuoden takuun ehdot ja lähimmän valtuutetun korjauspalvelun yhteystiedot ovat saatavilla osoitteessa [www.2helpU.com](http://www.2helpU.com) tai ottamalla yhteyttä paikalliseen Black & Deckerin toimipisteeseen tässä ohjekirjassa ilmoitettuihin osoitteisiin.

Käy verkkosivuillemme osoitteessa [www.blackanddecker.co.uk](http://www.blackanddecker.co.uk) ja rekisteröi uusi Black & Decker -tuotteesi. Sivuilta saat myös päivityksiä uusista tuotteista ja erikoistarjouksista.

**EY-vaatimustenmukaisuusvakuutus**  
KONEDIREKTIIVI



PH5551 Varrellinen pensasleikkuri

## Προβλεπόμενη χρήση

Το θαμνοκοπτικό με πρόεκταση PH5551 BLACK+DECKER έχει σχεδιαστεί για την κοπή και περιποίηση φυτικών φραχτών, θάμνων και βάλτων. Αυτό το εργαλείο προορίζεται μόνο για καταναλωτική χρήση.

## Οδηγίες ασφαλείας

### Γενικές προειδοποιήσεις ασφαλείας για ηλεκτρικά εργαλεία



**Προειδοποίηση!** Διαβάστε όλες τις προειδοποιήσεις ασφαλείας και όλες τις οδηγίες. Η μη τήρηση των παρακάτω προειδοποιήσεων και οδηγιών μπορεί να προκαλέσει ηλεκτροπληξία, πυρκαγιά και/ή σοβαρούς τραυματισμούς.

**Φυλάξτε όλες τις προειδοποιήσεις και τις οδηγίες για μελλοντική αναφορά.** Ο όρος «ηλεκτρικό εργαλείο» σε όλες τις προειδοποιήσεις, αναφέρεται σε εργαλείο που τροφοδοτείται με ρεύμα από το ηλεκτρικό δίκτυο (με καλώδιο) ή σε εργαλείο που λειτουργεί με μπαταρία (χωρίς καλώδιο).

#### 1. Ασφάλεια χώρου εργασίας

- α. Διατηρείτε το χώρο που εργάζεστε καθαρό και καλά φωτισμένο. Οι ατακτοποιητοί ή σκοτεινοί χώροι γίνονται αιτίες ατυχημάτων.
- β. **Μη χρησιμοποιείτε ηλεκτρικά εργαλεία σε περιβάλλον όπου υπάρχει κίνδυνος έκρηξης, όπως με παρουσία εύφλεκτων υγρών, αερίων ή σκόνης.** Τα ηλεκτρικά εργαλεία παράγουν σπινθήρες που μπορεί να προκαλέσουν ανάφλεξη της σκόνης ή των αναθυμιάσεων.
- γ. **Όταν χρησιμοποιείτε ηλεκτρικό εργαλείο, κρατάτε τα παιδιά και άλλα άτομα μακριά.** Παράγοντες που αποσπούν την προσοχή μπορεί να σας κάνουν να χάσετε τον έλεγχο.

#### 2. Ασφαλής χρήση ηλεκτρικού ρεύματος

- α. Το φως του καλωδίου του ηλεκτρικού εργαλείου πρέπει να ταιριάζει στην αντίστοιχη πρίζα. Σε καμία περίπτωση μην τροποποιήσετε το φως με κανένα τρόπο. **Μη χρησιμοποιείτε προσαρμοστικά φως με γειωμένα ηλεκτρικά εργαλεία.** Τα φως που δεν έχουν υποστεί τροποποιήσεις και οι κατάλληλες πρίζες μειώνουν τον κίνδυνο ηλεκτροπληξίας.
- β. **Αποφεύγετε την επαφή του σώματός σας με γειωμένες επιφάνειες, όπως σωλήνες, καλοριφέρ, κουζίνες και ψυγεία.** Υπάρχει αυξημένος κίνδυνος ηλεκτροπληξίας αν το σώμα σας είναι γειωμένο.
- γ. **Μην εκθέτετε τα ηλεκτρικά εργαλεία σε βροχή ή υγρασία.** Η εισχώρηση νερού σε ηλεκτρικό εργαλείο αυξάνει τον κίνδυνο ηλεκτροπληξίας.

- δ. **Μην κακομεταχειριζόμαστε το καλώδιο. Μην χρησιμοποιείτε ποτέ το καλώδιο για να μεταφέρετε το εργαλείο, να το τραβήξετε ή να το αποσυνδέσετε από την πρίζα. Κρατάτε το καλώδιο μακριά από θερμότητα, λάδια, αιχμηρά άκρα ή κινούμενα μέρη.** Τα καλώδια που έχουν υποστεί ζημιά ή είναι μπερδεμένα αυξάνουν τον κίνδυνο ηλεκτροπληξίας.
- ε. **Όταν χρησιμοποιείτε ηλεκτρικό εργαλείο σε εξωτερικούς χώρους, να χρησιμοποιείτε πάντοτε καλώδιο επέκτασης κατάλληλο για εργασία σε εξωτερικούς χώρους.**  
Η χρήση καλωδίου κατάλληλο για εργασία σε εξωτερικούς χώρους μειώνει τον κίνδυνο ηλεκτροπληξίας.
- στ. **Εάν είναι αναπόφευκτη η χρήση ενός ηλεκτρικού εργαλείου σε συνθήκες υγρασίας, χρησιμοποιήστε μια διάταξη προστασίας από ρεύμα διαρροής (RCD).** Η χρήση μιας διάταξης RCD μειώνει τον κίνδυνο ηλεκτροπληξίας.

#### 3. Προσωπική ασφάλεια

- α. **Όταν χρησιμοποιείτε το ηλεκτρικό εργαλείο, να είστε προσεκτικοί, να δίνετε προσοχή στην εργασία που κάνετε και να επιστρατεύετε την κοινή λογική. Μη χρησιμοποιείτε ηλεκτρικό εργαλείο όταν είστε κουρασμένος/η ή υπό την επήρεια ναρκωτικών, οινοπνεύματος ή φαρμακευτικής αγωγής.** Μια στιγμή απροσεξίας κατά τη χρήση ηλεκτρικών εργαλείων μπορεί να προκαλέσει σοβαρό τραυματισμό.
- β. **Να χρησιμοποιείτε εξοπλισμό προσωπικής προστασίας. Πάντα φοράτε προστασία ματιών.** Ο εξοπλισμός προστασίας, όπως μάσκα κατά της σκόνης, αντιολισθητικά παπούτσια ασφαλείας, κράνος ή προστασία ακοής, όταν χρησιμοποιείται για τις κατάλληλες συνθήκες, θα μειώσει τους τραυματισμούς και τις σωματικές βλάβες.
- γ. **Αποτρέπετε την ακούσια ενεργοποίηση. Βεβαιωθείτε ότι ο διακόπτης βρίσκεται στη θέση απενεργοποίησης πριν συνδέσετε το εργαλείο στην πηγή ρεύματος και/ή τοποθετήσετε το πακέτο μπαταρίας, πριν πάρετε ή μεταφέρετε το εργαλείο.** Η μεταφορά ηλεκτρικών εργαλείων με το δάχτυλο πάνω στο διακόπτη ή η σύνδεση στο ρεύμα ηλεκτρικών εργαλείων με το διακόπτη στη θέση ενεργοποίησης, ενέχει κινδύνους πρόκλησης ατυχημάτων.
- δ. **Πριν θέσετε το ηλεκτρικό εργαλείο σε λειτουργία, αφαιρέστε τυχόν εργαλεία ή κλειδιά ρύθμισης.** Αν παραμείνει μηχανικό κλειδί ή κλειδί ρύθμισης συνδεδεμένο σε περιστρεφόμενο εξάρτημα του ηλεκτρικού εργαλείου, αυτό μπορεί να έχει ως αποτέλεσμα τραυματισμό ατόμων.
- ε. **Μην τεντώνετε υπερβολικά. Διατηρείτε πάντα σταθερή στήριξη στα πόδια σας και καλή ισορροπία.**



Έτσι μπορείτε να έχετε καλύτερο έλεγχο του ηλεκτρικού εργαλείου σε μη αναμενόμενες καταστάσεις.

**στ. Φοράτε κατάλληλη ενδυμασία εργασίας. Μη φοράτε ρούχα με χαλαρή εφαρμογή ούτε κοσμήματα. Κρατάτε τα μαλλιά, τα ρούχα και τα γάντια σας μακριά από κινούμενα μέρη.** Τα χαλαρά ρούχα, τα κοσμήματα και τα μακριά μαλλιά μπορούν να πιαστούν σε κινούμενα μέρη.

**ζ. Αν παρέχονται εξαρτήματα σύνδεσης με διατάξεις αφαίρεσης και συλλογής της σκόνης, βεβαιωθείτε ότι συνδέονται και χρησιμοποιούνται σωστά.** Η χρήση διατάξεων συλλογής της σκόνης μπορεί να μειώσει τους κινδύνους που προέρχονται από τη σκόνη.

**4. Χρήση και φροντίδα ηλεκτρικών εργαλείων**

**α. Μην υπερφορτώνετε το ηλεκτρικό εργαλείο.**

Χρησιμοποιείτε το κατάλληλο εργαλείο ανάλογα με την εφαρμογή. Το σωστό ηλεκτρικό εργαλείο θα εκτελέσει την εργασία καλύτερα και ασφαλέστερα, με την ένταση χρήσης για την οποία σχεδιάστηκε.

**β. Μη χρησιμοποιήσετε ηλεκτρικό εργαλείο αν ο διακόπτης του δεν μπορεί να το ενεργοποιεί και απενεργοποιεί.** Ένα ηλεκτρικό εργαλείο του οποίου η λειτουργία δεν μπορεί να ελεγχθεί με το διακόπτη είναι επικίνδυνο και πρέπει να επισκευαστεί.

**γ. Βγάλετε το φως από την πρίζα ή/και την μπαταρία από το ηλεκτρικό εργαλείο, πριν διεξάγετε οποιαδήποτε ρύθμιση, αλλαγή εξαρτήματος ή όταν πρόκειται να αποθηκεύσετε τα ηλεκτρικά εργαλεία.** Τέτοια προληπτικά μέτρα ασφαλείας μειώνουν το κίνδυνο αθέλητης εκκίνησης του ηλεκτρικού εργαλείου.

**δ. Να φυλάσσετε μακριά από παιδιά τα ηλεκτρικά εργαλεία που δεν χρησιμοποιείτε. Μην αφήνετε να χρησιμοποιήσουν ηλεκτρικό εργαλείο άτομα που δεν είναι εξοικειωμένα με αυτό ή άτομα που δεν έχουν διαβάσει αυτές τις οδηγίες χρήσης.** Τα ηλεκτρικά εργαλεία είναι επικίνδυνα στα χέρια μη εκπαιδευμένων χρηστών.

**ε. Να συντηρείτε τα ηλεκτρικά εργαλεία. Ελέγχετε για προβλήματα ευθυγράμμισης ή μάγκωμα των κινούμενων εξαρτημάτων, θραύση εξαρτημάτων, καθώς και για οποιοδήποτε άλλο πρόβλημα μπορεί να επηρεάσει τη λειτουργία των ηλεκτρικών εργαλείων. Αν το εργαλείο έχει υποστεί ζημιά, φροντίστε να επισκευαστεί πριν το χρησιμοποιήσετε.** Η ανεπαρκής συντήρηση των ηλεκτρικών εργαλείων αποτελεί αιτία πολλών ατυχημάτων.

**στ. Διατηρείτε τα κοπτικά εργαλεία κοφτερά και καθαρά.**

Τα κοπτικά εργαλεία με αιχμηρά κοπτικά άκρα που συντηρούνται σωστά έχουν λιγότερες πιθανότητες να μπλοκάρουν και ελέγχονται ευκολότερα.

**ζ. Να χρησιμοποιείτε το ηλεκτρικό εργαλείο, τα αξεσουάρ και τις μύτες των εργαλείων κλπ.**

**σύμφωνα με τις παρούσες οδηγίες, λαμβάνοντας υπόψη σας τις συνθήκες εργασίας και την εργασία που θέλετε να εκτελέσετε.** Η χρήση του ηλεκτρικού εργαλείου για εργασίες διαφορετικές από τις προβλεπόμενες θα μπορούσε να οδηγήσει σε επικίνδυνη κατάσταση.

**5. Σέρβις**

**α. Το σέρβις του ηλεκτρικού σας εργαλείου πρέπει να αναλαμβάνει έμπειρος τεχνικός που θα χρησιμοποιεί μόνο γνήσια ανταλλακτικά.** Έτσι θα εξασφαλίσετε τη διατήρηση της ασφάλειας του ηλεκτρικού εργαλείου.



**Προειδοποίηση! Πρόσθετες προειδοποιήσεις ασφαλείας για θαμνοκοπτικά με προέκταση**

Η προβλεπόμενη χρήση περιγράφεται στο παρόν εγχειρίδιο οδηγιών. Μην χρησιμοποιείτε το εργαλείο για εργασίες για τις οποίες δεν προορίζεται, για παράδειγμα μην το χρησιμοποιείτε για την κοπή δέντρων. Η χρήση οποιουδήποτε παρελκόμενου ή προσαρτήματος ή η εκτέλεση οποιασδήποτε εργασίας με αυτό το εργαλείο, πέραν των όσων συνιστώνται στο παρόν εγχειρίδιο οδηγιών, μπορεί να παρουσιάσει κίνδυνο τραυματισμού.

- ◆ Κρατήστε το ηλεκτρικό εργαλείο από τις μονωμένες επιφάνειες λαβής όταν πραγματοποιείτε μία λειτουργία που το κοπτικό εργαλείο μπορεί να έρθει σε επαφή με καλώδια ή με το δικό του καλώδιο. Έρθει σε επαφή με ένα «ζωντανό» καλώδιο θα κάνει τα εκτεθειμένα μεταλλικά μέρη του ηλεκτρικού εργαλείου να «ζήσουν» και να προκαλέσουν ηλεκτροσόκ στον χειριστή.
- ◆ Κρατάτε όλα τα μέλη του σώματός σας σε απόσταση από τη λεπίδα κοπής. Μην αφαιρείτε το κομμένο υλικό και μην κρατάτε υλικό για κοπή όταν οι λεπίδες βρίσκονται σε κίνηση. Βεβαιωθείτε ότι ο διακόπτης είναι σε θέση απενεργοποίησης όταν καθαρίζετε τα υλικά που έχουν κολλήσει. Μία στιγμή απροσεξίας κατά τον χειρισμό του εργαλείου μπορεί να οδηγήσει σε σοβαρό προσωπικό τραυματισμό.
- ◆ Μεταφέρετε το θαμνοκοπτικό από τη λαβή, με τη λεπίδα κοπής σταματημένη. Κατά τη μεταφορά ή τη φύλαξη του θαμνοκοπτικού, πάντα να τοποθετείτε το κάλυμμα της συσκευής. Ο σωστός χειρισμός του θαμνοκοπτικού θα ελαττώσει τους ενδεχόμενους προσωπικούς τραυματισμούς από τις λεπίδες κοπής.
- ◆ Κρατάτε το καλώδιο μακριά από την περιοχή κοπής. Κατά τη διάρκεια της χρήσης, το καλώδιο μπορεί να κρυφτεί στους θάμνους και να κοπεί κατά λάθος από τις λεπίδες.
- ◆ προβλεπόμενη χρήση περιγράφεται στο παρόν εγχειρίδιο οδηγιών.



Η χρήση οποιουδήποτε αξεσουάρ ή εξαρτήματος ή η διενέργεια οποιασδήποτε λειτουργίας με αυτό το εργαλείο, εκτός αυτών που συνίστανται στο εγχειρίδιο οδηγιών μπορεί να προκαλέσουν κίνδυνο προσωπικού τραυματισμού και/ή ζημιά σε κάποια ιδιοκτησία.

- ◆ Μη μεταφέρετε το εργαλείο με τα χέρια σας στη μπροστινή λαβή, στον διακόπτη ή τον διακόπτη σκανδάλης, εκτός εάν το εργαλείο έχει αποσυνδεθεί από την τροφοδοσία.
- ◆ Εάν δεν έχετε χρησιμοποιήσει ποτέ θαμνοκοπτικό, προτιμήστε να ζητήσετε πρακτικές συμβουλές από έναν έμπειρο χρήστη σε συνδυασμό με το να διαβάσετε αυτό το εγχειρίδιο.
- ◆ Μην αγγίζετε ποτέ τις λεπίδες ενώ το εργαλείο βρίσκεται σε λειτουργία.
- ◆ Μην επιχειρήσετε ποτέ να ακινητοποιήσετε τις λεπίδες εξαναγκαστικά.
- ◆ Μην τοποθετείτε κάτω το εργαλείο πριν να ακινητοποιηθούν εντελώς οι λεπίδες.
- ◆ Ελέγχετε τακτικά τις λεπίδες για ζημιές και φθορές. Μη χρησιμοποιείτε το εργαλείο εάν οι λεπίδες έχουν υποστεί ζημιά.
- ◆ Προσέξτε ώστε να αποφεύγετε σκληρά αντικείμενα (π.χ. μεταλλικά σύρματα, κιγκλιδώματα) κατά τις εργασίες κοπής. Εάν χτυπήσετε κατά λάθος κάποιο τέτοιο αντικείμενο, αμέσως απενεργοποιήστε το εργαλείο και ελέγξτε για οποιαδήποτε ζημιά.
- ◆ Εάν το εργαλείο αρχίσει να δονείται μη φυσιολογικά, αμέσως απενεργοποιήστε το και ελέγξτε για οποιαδήποτε ζημιά.
- ◆ Αν το εργαλείο σταματήσει να λειτουργεί λόγω μεγάλης αντίστασης, αμέσως απενεργοποιήστε το. Αποσυνδέστε από την τροφοδοσία πριν επιχειρήσετε να αφαιρέσετε οποιοδήποτε εμπόδιο.
- ◆ Μετά από τη χρήση, τοποθετήστε στις λεπίδες την παρεχόμενη θήκη λεπίδων. Αποθηκεύστε το εργαλείο, αφού βεβαιωθείτε ότι η λεπίδα δεν είναι εκτεθειμένη.
- ◆ Πάντοτε να βεβαιώνεστε ότι όλα τα προστατευτικά είναι τοποθετημένα στο εργαλείο όταν το χρησιμοποιείτε. Μην επιχειρήσετε να χρησιμοποιήσετε το εργαλείο εάν λείπουν εξαρτήματα από αυτό ή εάν έχει υποβληθεί σε μη εξουσιοδοτημένες τροποποιήσεις.
- ◆ Μην αφήσετε ποτέ παιδιά να χρησιμοποιήσουν το εργαλείο.
- ◆ Να προσέχετε το ενδεχόμενο πτώσης υπολειμμάτων κοπής κατά την κοπή στις ψηλότερες πλευρές ενός φυτικού φράχτη.
- ◆ Πάντα να κρατάτε το εργαλείο και με τα δύο χέρια και από τις παρεχόμενες λαβές.

## Ασφάλεια τρίτων

- ◆ Σε καμία περίπτωση μην επιτρέψετε σε παιδιά, σε άτομα με μειωμένες σωματικές, αισθητηριακές ή διανοητικές ικανότητες ή με έλλειψη εμπειρίας και γνώσης ή σε άτομα μη εξοικειωμένα με τις παρούσες οδηγίες να χρησιμοποιήσουν το μηχάνημα, τοπικοί κανονισμοί μπορεί να θέτουν όρια στην ηλικία του χειριστή.
- ◆ Μη χρησιμοποιείτε ποτέ τη μηχανή όταν υπάρχουν κοντά άνθρωποι και ιδιαίτερα παιδιά ή κατοικίδια ζώα.

## Κραδασμοί

Η δηλωμένη τιμή εκπομπής κραδασμών που αναφέρεται στα τεχνικά χαρακτηριστικά και τη δήλωση συμμόρφωσης έχει μετρηθεί σύμφωνα με τυποποιημένη μέθοδο δοκιμής που προβλέπεται από το πρότυπο EN50636 και μπορεί να χρησιμοποιηθεί για τη σύγκριση ενός εργαλείου με ένα άλλο. Η δηλωμένη τιμή εκπομπής κραδασμών μπορεί επίσης να χρησιμοποιηθεί σε έναν προκαταρκτικό προσδιορισμό της έκθεσης σε κραδασμούς.

Προειδοποίηση! Η τιμή εκπομπής κραδασμών κατά την πραγματική χρήση του ηλεκτρικού εργαλείου μπορεί να διαφέρει από τη δηλωμένη τιμή, ανάλογα με τον τρόπο που χρησιμοποιείται το εργαλείο.

Το επίπεδο κραδασμών μπορεί να αυξηθεί πάνω από το επίπεδο που έχει δηλωθεί.

Κατά τον προσδιορισμό της έκθεσης σε κραδασμούς για τον καθορισμό των απαιτούμενων μέτρων ασφάλειας σύμφωνα με την οδηγία 2002/44/ΕΚ για την προστασία προσώπων που χρησιμοποιούν συχνά ηλεκτρικά εργαλεία στην εργασία τους, μια προσεγγιστική εκτίμηση της έκθεσης σε κραδασμούς πρέπει να λαμβάνει υπόψη τις πραγματικές συνθήκες χρήσης και τον τρόπο χρήσης του εργαλείου, συμπεριλαμβανομένων και όλων των επιμέρους τμημάτων του κύκλου εργασίας, όπως τα χρονικά διαστήματα που το εργαλείο ήταν εκτός λειτουργίας και τα διαστήματα λειτουργίας χωρίς φορτίο επιπλέον του χρόνου πίεσης της σκανδάλης.

## Υπολειπόμενοι κίνδυνοι.

Κατά τη χρήση του εργαλείου μπορεί να δημιουργηθούν πρόσθετοι υπολειπόμενοι κίνδυνοι, οι οποίοι ενδέχεται να μη συμπεριλαμβάνονται στις προειδοποιήσεις ασφαλείας που εσωκλείονται. Αυτοί οι κίνδυνοι μπορεί να προκληθούν από κακή χρήση, παρατεταμένη χρήση κλπ.

Παρά την εφαρμογή των σχετικών κανονισμών ασφαλείας και τη χρήση διατάξεων ασφαλείας, ορισμένοι υπολειπόμενοι κίνδυνοι δεν είναι δυνατοί να αποφευχθούν. Σ' αυτούς περιλαμβάνονται:

- ◆ Τραυματισμοί από επαφή με περιστρεφόμενα/κινούμενα μέρη.
- ◆ Τραυματισμοί κατά την αλλαγή οποιωνδήποτε εξαρτημάτων, λεπίδων ή αξεσουάρ.

- ◆ Σωματικές βλάβες από παρατεταμένη χρήση του εργαλείου. Όταν χρησιμοποιείτε οποιοδήποτε εργαλείο για παρατεταμένα χρονικά διαστήματα, μην παραλείπετε με κανένα τρόπο να κάνετε τακτικά διαλείμματα.
- ◆ Βλάβη της ακοής.
- ◆ Κίνδυνοι στην υγεία που προκαλούνται από την εισπνοή σκόνης, όταν χρησιμοποιείτε το εργαλείο (παραδείγματα: όταν επεξεργάζεστε ξύλο, ειδικά δρυ, οξιά και MDF.)

### Προειδοποιητικά σύμβολα

Τα ακόλουθα σύμβολα προειδοποίησης μαζί με τον κωδικό δεδομένων εμφανίζονται πάνω στο εργαλείο:



**Προειδοποίηση!** Για να μειωθεί ο κίνδυνος τραυματισμού, ο χρήστης πρέπει να διαβάσει το εγχειρίδιο οδηγιών.



Μην χρησιμοποιείτε το εργαλείο σε υγρές συνθήκες και μην το εκθέτετε στη βροχή ή σε υψηλή υγρασία.



Πάντα φοράτε προστασία ματιών.



Να φοράτε πάντα ωτασπίδες.



Να φοράτε πάντα αντιολισθητικά υποδήματα ασφαλείας.



Προσέχετε για τυχόν αντικείμενα που πέφτουν.



Μην επιτρέπετε να πλησιάσουν άλλα άτομα. Τα παιδιά πρέπει πάντα να παραμένουν μακριά από το σημείο που χρησιμοποιείται το θαμνοκοπτικό με επέκταση



Κίνδυνος ηλεκτροπληξίας. Κρατηθείτε τουλάχιστον 10 m μακριά από υπερκείμενα καλώδια.



Αποσυνδέστε την πρίζα αμέσως εάν το καλώδιο υποστεί ζημιά



Εγγυημένη ηχητική ισχύς σύμφωνα με την Οδηγία 2000/14/ΕΚ.

### Ασφαλής χρήση ηλεκτρικού ρεύματος



Αυτό το εργαλείο φέρει διπλή μόνωση. Επομένως, δεν απαιτείται καλώδιο γείωσης. Ελέγχετε πάντα ότι η παροχή ρεύματος αντιστοιχεί στην τάση που αναφέρεται στην πινακίδα στοιχείων.

- ◆ Αν το καλώδιο ρεύματος έχει υποστεί φθορά, η αντικατάστασή του πρέπει να γίνει από τον κατασκευαστή ή από ένα εξουσιοδοτημένο κέντρο της Black & Decker, ώστε να μην αποτελέσει κίνδυνο.

### Χρήση καλωδίου προέκτασης

- ◆ Χρησιμοποιείτε πάντα εγκεκριμένα καλώδια προέκτασης, κατάλληλα για την ισχύ εισόδου αυτού του εργαλείου (δείτε τεχνικά χαρακτηριστικά). Το καλώδιο προέκτασης πρέπει να είναι κατάλληλο για χρήση σε εξωτερικούς χώρους και να φέρει την αντίστοιχη σήμανση. Μπορείτε να χρησιμοποιήσετε ένα καλώδιο προέκτασης 1.5 mm<sup>2</sup> H07RN-F 2 X μήκους έως 30 m, χωρίς απώλειες απόδοσης του εργαλείου. Πριν από τη χρήση, ελέγξτε προσεκτικά το καλώδιο προέκτασης για σημάδια ζημιάς, φθοράς ή παλαιώσης. Αντικαταστήστε το καλώδιο προέκτασης αν παρουσιάσει ζημιά ή ελάττωμα. Όταν χρησιμοποιείτε καλώδιο σε καρούλι, πάντα ξετυλίγετε τελείως το καλώδιο.

### Πτώσεις τάσης

- ◆ Υπό ορισμένες συνθήκες τροφοδοσίας το προϊόν αυτό μπορεί να προκαλέσει σύντομες πτώσεις τάσης κατά την εκκίνηση.
- ◆ Μπορεί να επηρεαστεί άλλος εξοπλισμός. Για παράδειγμα, μπορεί να μειωθεί προσωρινά η φωτεινότητα ηλεκτρικών λαμπτήρων.
- ◆ Επικοινωνήστε με την αρχή τροφοδοσίας, εάν χρειάζεται, για να διαπιστώσετε εάν η αντίσταση της τροφοδοσίας είναι χαμηλότερη από 0.411 ohm. Είναι απίθανο να συμβούν διαταραχές υπό αυτή τη συνθήκη.

### Λάβετε τις κατάλληλες προφυλάξεις κατά της ηλεκτροπληξίας

- ◆ Αποφύγετε τη σωματική επαφή με γειωμένες ή συνδεδεμένες με το έδαφος επιφάνειες (π.χ. μεταλλικά κικλιδώματα, λάμπες κ.τ.λ.). Η ασφάλεια έναντι ηλεκτροπληξίας μπορεί να βελτιωθεί ακόμα περισσότερο αν χρησιμοποιηθεί διάταξη παραμένουτος ρεύματος (RCD) υψηλής ευαισθησίας (30 mA / 30 mS).

### Λειτουργίες

Αυτό το εργαλείο διαθέτει μερικά από ή όλα τα παρακάτω χαρακτηριστικά.

1. Λεπίδα θαμνοκοπτικού
2. Ανοίγματα αερισμού

3. Κουμπί προσαρμογής γωνίας κλειδώματος
4. Υποστήριξη κεφαλής θαμνοκοπτικού
5. Θέση αγκύρωσης (άνω)
6. Στήλος επέκτασης
7. Θέση αγκύρωσης (κάτω)
8. Ιμάντας
- 8a. Κλιπ ασφάλισης
9. Λαβή στήλου
10. Κουμπί κλειδώματος
11. Διακόπτης ενεργοποίησης/απενεργοποίησης (on/off)
12. Κύρια λαβή
13. Καλώδιο ρεύματος
14. Εξάρτημα ελάττωσης της τάσης
15. Οπίσθιο προστατευτικό ασφαλείας
16. Θηκάρι

- ◆ Πιέστε τον στύλο (9) και την επέκταση του στύλου (6) το ένα προς το άλλο για να το συμπιύξετε ή μακριά το ένα από το άλλο για να το επεκτείνετε.
- ◆ Σφίξτε τη θέση αγκύστρωσης (7) μόλις επιτύχετε το μήκος που επιθυμείτε.

**Προειδοποίηση!** Περιοδικά ελέγχετε τις συνδέσεις για να εξασφαλίσετε ότι είναι καλά σφιγμένες.

**Προειδοποίηση!** Το μήκος του στύλου επέκτασης είναι περιορισμένο. Σταματήστε να σπρώχνετε / τραβάτε μόλις αισθανθείτε αντίσταση. Να επεκτείνετε μόνο έως το μήκος που απαιτείται για να φτάσετε τους θάμνους που κλαδεύετε. Μην προσπαθήσετε να χρησιμοποιήσετε αυτό το προϊόν σε μήκος που δεν σας επιτρέπεται να έχετε σωστό πάτημα και ισορροπία συνεχώς.

### Προσαρμογή γωνίας (Εικ. Γ)

- ◆ Ελευθερώστε το κουμπί κλειδώματος (3) της κεφαλής του κοπτικού κατά την προσαρμογή του.
- ◆ Διασφαλίστε ότι το κουμπί κλειδώματος (3) ασφαλίζεται στη θέση του.

**Προειδοποίηση!** Η κεφαλή μπορεί να ρυθμιστεί σε πέντε διαφορετικές θέσεις. Πάντα να διασφαλίσετε ότι η κεφαλή έχει ασφαλιστεί. Μην προσπαθήσετε να χρησιμοποιήσετε αυτό το προϊόν με την κεφαλή σε οποιαδήποτε άλλη θέση ή μη κλειδωμένη.

### Χρήση

**Προειδοποίηση!** Αφήστε το εργαλείο να λειτουργήσει με το δικό του ρυθμό. Μην το υπερφορτώνετε.

### Κλάδεμα (εικ. Δ, Ε, ΣΤ, Ζ)

- ◆ Προσαρμόστε τον στύλο στο επιθυμητό μήκος.
- ◆ Κόψτε και αφαιρέστε τα κλαδιά που δεν μπορεί να κόψει αυτό το προϊόν χρησιμοποιώντας ένα κλαδευτήρι χειρός πριν από τη λειτουργία του προϊόντος.

**Σημείωση:** Η χρήση της λεπίδας σε μεγάλα κλαδιά μπορεί να προκαλέσει ζημιά.

- ◆ Πάντα να κρατάτε το προϊόν σταθερά και με τα δύο χέρια στην επιφάνεια αφής και τη λαβή. Ποτέ μη λειτουργείτε αυτό το προϊόν με ένα χέρι.

**Σημείωση:** Προσπαθήστε να κρατήσετε τις λεπίδες σε γωνία περίπου 15° από την επιφάνεια κοπής (Εικ. Δ).

- ◆ Κόψτε και τις δύο πλευρές από τα κάτω προς τα πάνω, αυτό θα αποτρέψει τα κομμένα μέρη να πέσουν στο σημείο που πρέπει ακόμα να κοπεί.
- ◆ Αφού κόψετε τις πλευρές, συνεχίστε προς την κορυφή.
- ◆ Όταν κόβετε ευρείς θάμνους, έχοντας την περιοχή που θα κόψετε μπροστά σας, μετακινήστε τη λεπίδα κοπής πάνω από την επιφάνεια κοπής με μία κίνηση σάρωσης, ακολουθώντας το σχήμα του φράχτη ή του θάμνου.

### Συναρμολόγηση



**Προειδοποίηση!** Πριν από τη συναρμολόγηση, βεβαιωθείτε ότι η συσκευή είναι απενεργοποιημένη και αποσυνδεδεμένη από την πρίζα.



**Προειδοποίηση!** Να φοράτε πάντα προστατευτικά γάντια όταν εργάζεστε με το κλαδευτήρι με μακριά λαβή.



**Προειδοποίηση!** Αυτό το προϊόν πρέπει να συναρμολογηθεί πλήρως πριν από τη λειτουργία. Μη χρησιμοποιείτε αυτό το προϊόν όταν έχει συναρμολογηθεί μερικώς ή έχει συναρμολογηθεί με εξαρτήματα που έχουν υποστεί ζημιά.

- ◆ Το θαμνοκοπτικό με επέκταση θα πρέπει να συναρμολογηθεί πλήρως κατά την παράδοση.
- ◆ Αφαιρέστε το κάλυμμα της λεπίδας (17) από τη λεπίδα (1) πριν από τη λειτουργία.

### Ενεργοποίηση (Εικ. Α)

- ◆ Διασφαλίστε ότι η λεπίδα του θαμνοκοπτικού με επέκταση (1) δεν ακουμπάει κάποιο αντικείμενο.
- ◆ Πιέστε το κουμπί κλειδώματος (10) και κρατήστε το πατημένο.
- ◆ Πιέστε το διακόπτη ενεργοποίησης/απενεργοποίησης (11) για να ενεργοποιήσετε το προϊόν.

### Απενεργοποίηση

- ◆ Ελευθερώστε το διακόπτη on/off (11).

**Προειδοποίηση!** Μην επιχειρήσετε ποτέ να ασφαλίσετε ένα διακόπτη στη θέση ενεργοποίησης (ON).

### Επέκταση του κλαδευτηριού με μακριά λαβή

#### (Εικ. Β)

- ◆ Χαλαρώστε την κάτω θέση αγκύστρωσης (7).

Συνίσταται μία ελαφριά καθοδική κλίση της λεπίδας κοπής προς την κατεύθυνση της κίνησης, για τη βέλτιστη απόδοση κοψίματος.

- ◆ Μετακινήστε το κοπτικό με αργές κινήσεις προς τα μπροστά όταν κόβετε μία περιοχή που δε βλέπετε.
- ◆ Μη βιάζεστε και μην προσπαθήσετε να κόψετε μεγάλη έκταση με μία κίνηση της λεπίδας κοπής.
- ◆ Κόψτε σε στάδια εάν η περιοχή που θα κοπεί είναι ιδιαίτερα μεγάλη, ώστε να έχετε το καλύτερο δυνατό αποτέλεσμα.
- ◆ Για να πετύχετε πολύ ευθεία γραμμή κοψίματος, τεντώστε ένα κομμάτι σπάγκου κατά μήκος του φράχτη στο επιθυμητό ύψος. Χρησιμοποιήστε το σπάγγο ως καθοδηγητική ένδειξη, κόβοντας ακριβώς πάνω από αυτόν (Εικ. Ε).
- ◆ Για να επιτύχετε επίπεδες πλευρές, κόψτε προς τα πάνω προς την κατεύθυνση της βλάστησης. Τα νέα βλαστάρια κινούνται προς τα έξω όταν η λεπίδα κόβει προς τα κάτω, προκαλώντας ριχή κομμάτια στον φράχτη (Εικ. Ε).
- ◆ Προσέχετε ώστε να αποφεύγετε τυχόν ξένα σώματα. Αποφύγετε ιδιαίτερα τα σκληρά αντικείμενα όπως μεταλλικά σύρματα και κάγκελα, καθώς μπορεί να προκαλέσουν ζημιά στις λεπίδες.
- ◆ Λιπαίνετε τακτικά τις λεπίδες.

### Γενικές οδηγίες κοπής (Η.Β. και Ιρλανδία)

- ◆ Στην περίπτωση φυλλοβόλων φραχτών και θάμνων (δηλ. με καινούριο φύλλωμα κάθε χρόνο), εκτελείτε κοπή τον Ιούνιο και τον Οκτώβριο.
- ◆ Στην περίπτωση αειθαλών φυτών, εκτελείτε κοπή τον Απρίλιο και τον Αύγουστο.
- ◆ Τέλος, στην περίπτωση κωνοφόρων και άλλων θάμνων με γρήγορη ανάπτυξη της βλάστησης, εκτελείτε κοπή κάθε έξι εβδομάδες από το Μάιο μέχρι τον Οκτώβριο.

### Γενικές οδηγίες κοπής και περιποίησης (Αυστραλία & Νέα Ζηλανδία)

- ◆ Στην περίπτωση φυλλοβόλων φυτικών φραχτών και θάμνων (δηλ. με καινούριο φύλλωμα κάθε χρόνο), εκτελείτε κοπή το Δεκέμβριο και το Μάρτιο.
- ◆ Στην περίπτωση αειθαλών φυτών, εκτελείτε κοπή το Σεπτέμβριο και το Φεβρουάριο.
- ◆ Τέλος, στην περίπτωση κωνοφόρων και άλλων θάμνων με γρήγορη ανάπτυξη της βλάστησης, εκτελείτε κοπή κάθε έξι εβδομάδες από τον Οκτώβριο μέχρι το Μάρτιο.

### Καθαρισμός, συντήρηση και αποθήκευση

Αυτή η συσκευή/το εργαλείο με καλώδιο/χωρίς καλώδιο της BLACK+DECKER έχει σχεδιαστεί έτσι ώστε να λειτουργεί για μεγάλο χρονικό διάστημα με την ελάχιστη δυνατή συντήρηση.

Η συνεχής ικανοποιητική λειτουργία εξαρτάται από τη σωστή φροντίδα και τον τακτικό καθαρισμό του εργαλείου.

**Προειδοποίηση!** Πριν πραγματοποιήσετε οποιαδήποτε συντήρηση σε ηλεκτρικά εργαλεία με καλώδιο/χωρίς καλώδιο:

- ◆ Απενεργοποιήστε και αποσυνδέστε τη συσκευή/το εργαλείο από την πρίζα.
- ◆ Ή απενεργοποιήστε και αφαιρέστε το πακέτο μπαταρίας από τη συσκευή/το εργαλείο, εάν η συσκευή/το εργαλείο διαθέτει αφαιρούμενο πακέτο μπαταρίας.
- ◆ Ή χρησιμοποιήστε την μπαταρία μέχρι να αδειάσει εντελώς, αν είναι ενσωματωμένη, και στη συνέχεια απενεργοποιήστε.

Να καθαρίζετε τακτικά τις εγκοπές εξαιρισμού της συσκευής/εργαλείου/φορτιστή με μια μαλακή βούρτσα ή με ένα στεγνό πανί. Να καθαρίζετε τακτικά το περίβλημα του μοτέρ με ένα υγρό πανί. Μη χρησιμοποιείτε λειαντικά καθαριστικά ή υγρά καθαρισμού που περιέχουν διαλυτικά.

- ◆ Να καθαρίζετε τακτικά τις εγκοπές εξαιρισμού της συσκευής/του εργαλείου/του φορτιστή χρησιμοποιώντας μια μαλακή βούρτσα ή ένα στεγνό πανί.
- ◆ Να καθαρίζετε τακτικά το περίβλημα του μοτέρ με ένα ελαφρά υγρό πανί. Μη χρησιμοποιείτε καθαριστικά που χαράζουν ή περιέχουν διαλύτες.

### Μετά τη χρήση και πριν από την αποθήκευση

- ◆ Καθαρίζετε σε τακτική βάση τις εγκοπές εξαιρισμού με ένα καθαρό, στεγνό πινέλο βαφής.
- ◆ Για τον καθαρισμό της συσκευής/του εργαλείου/του φορτιστή, χρησιμοποιείτε αποκλειστικά ήπιο σαπούνι και υγρό πανί. Μην επιτρέψετε ποτέ να εισέλθει υγρό στο εσωτερικό και μην εμβυθίσετε ποτέ οποιοδήποτε εξάρτημα σε υγρό.
- ◆ Αφαιρέστε τα κατάλοιπα χρησιμοποιώντας μια σκληρή βούρτσα.
- ◆ Λιπάνετε την αλυσίδα με λάδι.

### Αντικατάσταση του φινι ρευματοληψίας (Μ. Βρετ. & Ιρλανδία μόνο)

Αν χρειάζεται να τοποθετηθεί νέο φινι ρευματοληψίας:

- ◆ Απορρίψτε με ασφαλή τρόπο το παλιό φινι.
- ◆ Συνδέστε τον καφέ αγωγό στον ακροδέκτη φάσης του νέου φινι.
- ◆ Συνδέστε τον μπλε αγωγό στον ουδέτερο ακροδέκτη.

**Προειδοποίηση!** Δεν πρέπει να γίνει καμία σύνδεση στον ακροδέκτη γείωσης. Ακολουθήστε τις οδηγίες συναρμολόγησης που συνοδεύουν τα καλής ποιότητας φινι. Συνιστώμενη ασφάλεια: 5 Α.

## Προστασία του περιβάλλοντος



Χωριστή συλλογή. Τα προϊόντα και οι μπαταρίες που επισημαίνονται με αυτό το σύμβολο δεν πρέπει να απορρίπτονται μαζί με τα κανονικά οικιακά απορρίμματα.

Τα προϊόντα και οι μπαταρίες περιέχουν υλικά που μπορούν να ανακτηθούν ή να ανακυκλωθούν ώστε να μειωθούν οι ανάγκες για πρώτες ύλες.

Παρακαλούμε να ανακυκλώνετε τα ηλεκτρικά προϊόντα και τις μπαταρίες σύμφωνα με τους τοπικούς κανονισμούς.

Περισσότερες πληροφορίες διατίθενται στον ιστότοπο [www.2helpU.com](http://www.2helpU.com).

## Τεχνικά χαρακτηριστικά

		PH551
Τάση Εισόδου	V <sub>ac</sub>	230
Ταχύτητα χωρίς φορτίο	min <sup>-1</sup>	3300
Μήκος λεπίδας	mm	515
Χρόνος φρεναρίσματος λεπίδας	δευτ.	<1
Βάρος	Kg	4.1

Στάθμη ηχητικής πίεσης, μετρημένης σύμφωνα με το πρότυπο EN ISO 11680-1, EN ISO 3744:

Ηχητική πίεση (L<sub>pA</sub>) 90,3 dB(A), αβεβαιότητα (K) 2,5 dB(A)

Ηχητική ισχύς (L<sub>WA</sub>) 100 dB(A), αβεβαιότητα (K) 2,5 dB(A)

Συνολικές τιμές κραδασμών (διανυσματικό άθροισμα τριών αξόνων) κατά EN 60745:

Κοπή μαλακού ξύλου (a<sub>h, w</sub>) = 1.792 m/s<sup>2</sup>, αβεβαιότητα (K) 1.5 m/s<sup>2</sup>

## Δήλωση συμμόρφωσης EC ΟΔΗΓΙΑ ΠΕΡΙ ΜΗΧΑΝΗΜΑΤΩΝ



### Θαμνοκοπτική με επέκταση PH551

Η Black & Decker δηλώνει ότι τα προϊόντα αυτά που περιγράφονται στα «τεχνικά χαρακτηριστικά» συμμορφώνονται με τα ακόλουθα:

2006/42/EC και EN 60745-1:2009+A11,  
EN ISO 10517:2009+A1

Στάθμη ηχητικής ισχύος σύμφωνα με 2000/14/EC

(Άρθρο 13, Παράρτημα III):

LWA (μετρούμενη ηχητική ισχύς) 97,2 dB(A)

Αβεβαιότητα = 2,5 dB(A)

LWA (εγγυημένη ηχητική ισχύς) 100 dB(A)

Αυτά τα προϊόντα συμμορφώνονται επίσης με την Οδηγία 2004/108/ΕΚ (μέχρι 19/04/2016) 2014/30/ΕΕ (από 20/04/2016) και 2011/65/ΕΕ.

Για περισσότερες πληροφορίες, παρακαλείστε να επικοινωνήσετε με την Black & Decker στην παρακάτω διεύθυνση ή να ανατρέξετε στο πίσω μέρος του χειριδίου. Ο κάτωθι υπογεγραμμένος είναι υπεύθυνος για την κατάρτιση του τεχνικού φακέλου και δηλώνει τα παρόντα εκ μέρους της Black & Decker.

R.Laverick

**Διευθυντής** Σχεδιασμού

Black & Decker Europe, 210 Bath Road, Slough,

Berkshire, SL1 3YD

United Kingdom

11/12/2015

## Εγγύηση

Η Black & Decker είναι σίγουρη για την ποιότητα των προϊόντων της και προσφέρει στους καταναλωτές εγγύηση 24 μηνών από την ημερομηνία

αγοράς. Αυτή η εγγύηση είναι πρόσθετο δικαίωμά σας και δεν ζημιώνει τα νόμιμα δικαιώματά σας. Η εγγύηση ισχύει εντός της επικράτειας των χωρών μελών της Ευρωπαϊκής Ένωσης και της Ευρωπαϊκής Ζώνης Ελευθέρων Συναλλαγών.

Για να υποβάλετε αξίωση βάσει της εγγύησης, η αξίωση θα πρέπει να είναι σύμφωνη με τους Όρους και προϋποθέσεις της Black&Decker και θα χρειαστεί να υποβάλετε απόδειξη αγοράς στον πωλητή ή σε εξουσιοδοτημένο αντιπρόσωπο επισκευών. Μπορείτε να αποκτήσετε τους Όρους και προϋποθέσεις της εγγύησης 2 ετών της Black&Decker και να μάθετε την τοποθεσία του πλησιέστερου εξουσιοδοτημένου αντιπροσώπου επισκευών στο Internet στο [www.2helpU.com](http://www.2helpU.com), ή επικοινωνώντας με το τοπικό σας γραφείο Black & Decker στη διεύθυνση που υποδεικνύεται στο παρόν χειριδίδιο.

Παρακαλούμε επισκεφθείτε την ιστοσελίδα μας [www.blackanddecker.gr](http://www.blackanddecker.gr) για να καταχωρίσετε το νέο σας προϊόν Black & Decker και για να ενημερωέστε για τα νέα προϊόντα και τις ειδικές προσφορές.

<b>België/Belgique/Luxembourg</b> www.blackanddecker.be enduser.be@sbdinc.com	Stanley Black & Decker Belgium BVBA Egide Walschaertsstraat 16 2800 Mechelen	Tel. NL +32 15 47 37 65 Tel. FR +32 15 47 37 66 Fax. +32 15 47 37 99
<b>Danmark</b>	Black & Decker Roskildevej 22 2620 Albertslund	kundeservice.dk@sbdinc.com www.blackanddecker.dk
<b>Deutschland</b> www.blackanddecker.de infobfge@sdbinc.com	Stanley Black & Decker Deutschland GmbH Black & Decker Str. 40, D - 65510 Idstein	Tel. 06126 21-0 Fax 06126 21-2980
<b>Ελλάδα</b> www.blackanddecker.gr greece.service@sbdinc.com	Stanley Black & Decker (ΕΛΛΑΣ) Ε.Π.Ε ΓΡΑΦΕΙΑ: Σπύριδωνος 7 & Βουλιαγμένης 166 74 Γλυφάδα - Αθήνα	Τηλ. 210-8981616 Φαξ 210-8983570
<b>SERVICE:</b>	Ημερος Τόπος 2 -Χάνι Αδάμ 193 00 Ασπρόπυργος - Αθήνα	Τηλ. Service 210-8985208 Φαξ 210-5597598
<b>España</b> www.blackanddecker.es respuesta.posventa@sbdinc.com	Stanley Black & Decker Ibérica, S.C.A. Parc de Negocis "Mas Blau" Edificio Muntadas, c/Bergadà, 1, Of. A6 08820 El Prat de Llobregat (Barcelona)	Tel. 934 797 400 Fax 934 797 419
<b>France</b> www.blackanddecker.fr	Black & Decker (France) S.A.S. 5 allée des Hêtres B.P. 30084 69579 Limonest Cédex	Tel. 04 72 20 39 20 Fax 04 72 20 39 00
<b>Helvetia</b> www.blackanddecker.ch service@rofoag.ch	ROFO AG Gewerbezone Seeblick 3213 Kleinbösingen	Tel. 026-6749393 Fax 026-6749394
<b>Italia</b> www.blackanddecker.it service.italia@sbdinc.com	Stanley Black & Decker Italia Via Energypark 6 20871 Vimercate (MB)	Tel. 039-9590200 Fax 039-9590313 Numero verde 800-213935
<b>Nederland</b> www.blackanddecker.nl enduser.nl@sbdinc.com	Stanley Black & Decker Netherlands BV Holtum Noordweg 35, 6121 RE BORN Postbus 83, 6120 AB BORN	Tel. +31 164 283 065 Fax +31 164 283 200
<b>Norge</b>	Black & Decker Postboks 4613, Nydalen 0405 Oslo	kundeservice.no@sbdinc.com www.blackanddecker.no
<b>Österreich</b> www.blackanddecker.at service.austria@sbdinc.com	Stanley Black & Decker Austria GmbH Oberlaaerstraße 248, A-1230 Wien	Tel. 01 66116-0 Fax 01 66116-614
<b>Portugal</b> www.blackanddecker.pt resposta.posvenda@sbdinc.com	Black & Decker Limited SARL Quinta da Fonte - Edifício Q55 D. Diniz Rua dos Malhães, 2 e 2A - Piso 2 Esquerdo 2770 - 071 Paço de Arcos	Tel. 214667500 Fax 214667580
<b>Suomi</b>	Black & Decker PL47 00521, Helsinki	asiakaspalvelu.fi@sbdinc.com www.blackanddecker.fi
<b>Sverige</b>	Black & Decker AB Box 94, 431 22 Mölndal	kundservice.se@sbdinc.com www.blackanddecker.se
<b>Türkiye</b> www.blackanddecker.com.tr	KALE Hırdavat ve Makina A.Ş. Defferdar Mah. Savaklar Cad. No:15 Edimekapı / Eyüp / İstanbul 34050	Tel. 0212 533 52 55 Fax. 0212 533 10 05
<b>United Kingdom &amp; Republic Of Ireland</b> www.blackanddecker.co.uk emeaservice@sbdinc.com	Black & Decker 210 Bath Road Slough, Berkshire SL1 3YD	Tel. 01753 511234 Fax 01753 512365
<b>Middle East &amp; Africa</b> www.blackanddecker.ae service.mea@sbdinc.com	Black & Decker P.O.Box - 17164 Jebel Ali Free Zone (South), Dubai, UAE	Tel. +971 4 8863030 Fax +971 4 8863333