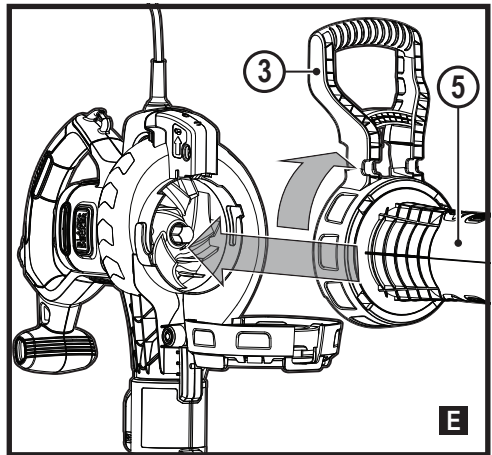
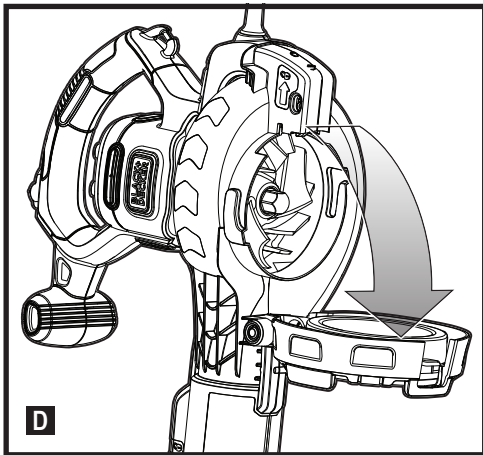
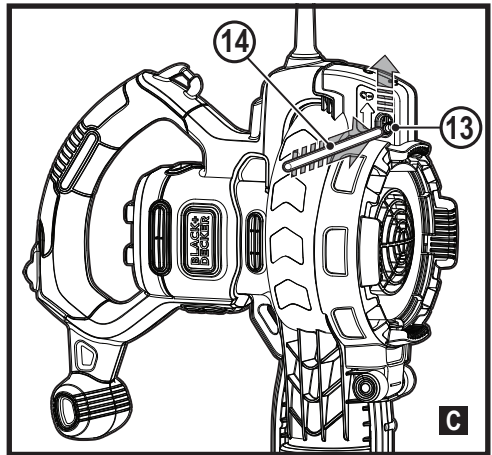
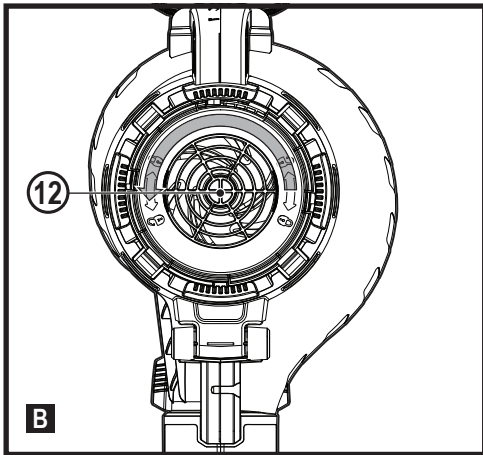
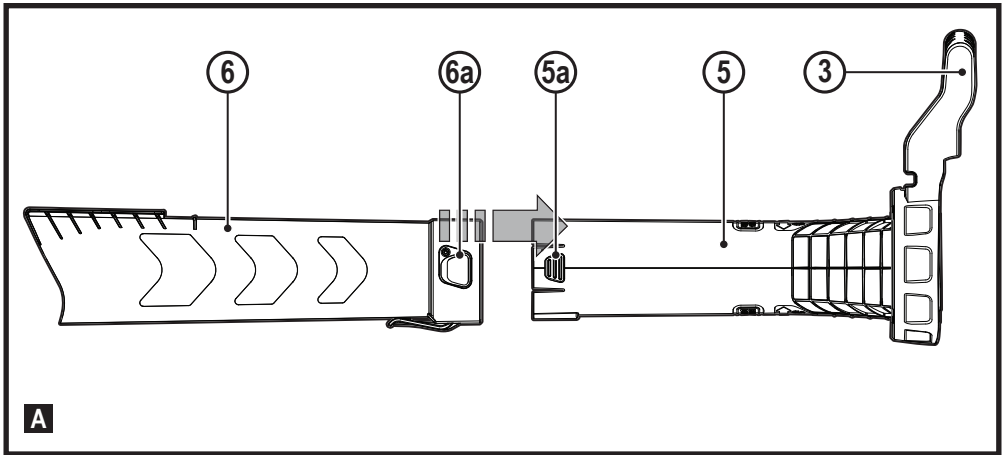
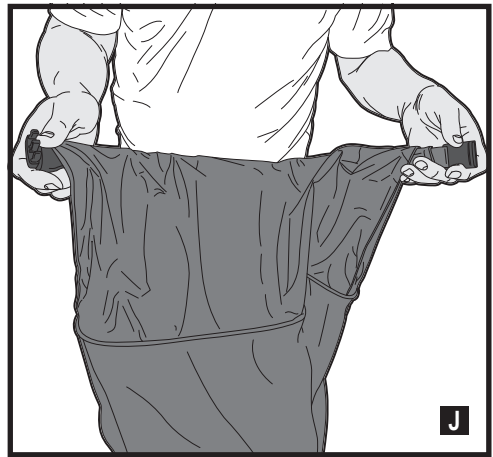
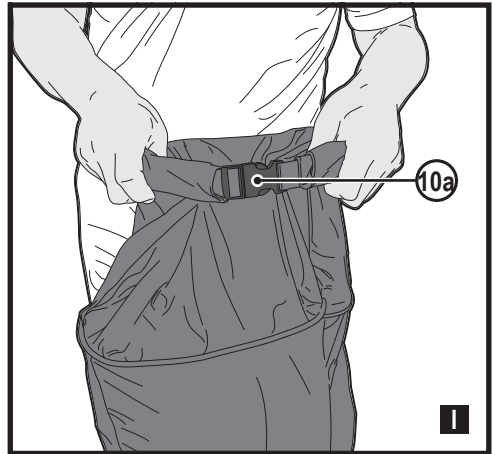
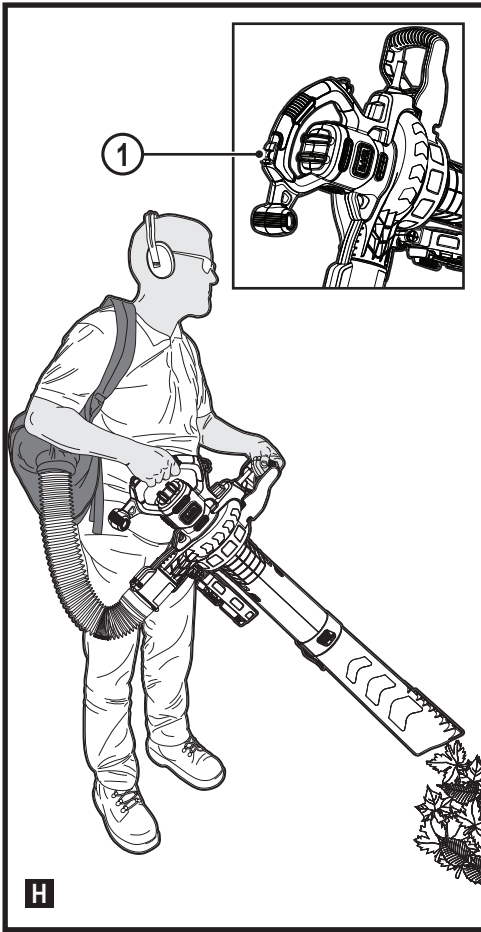
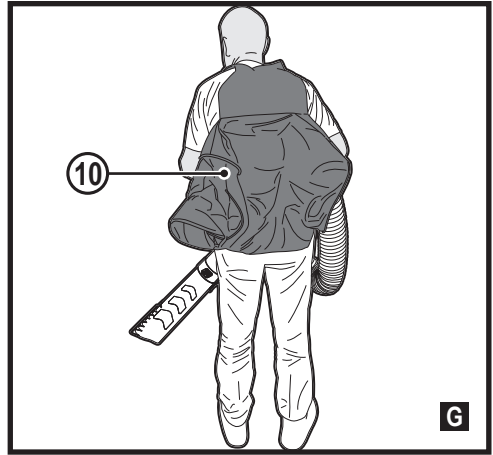
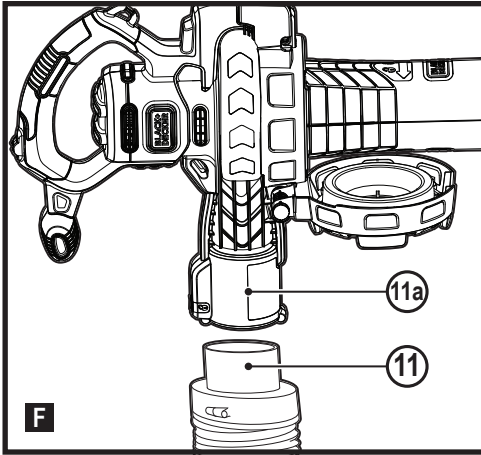


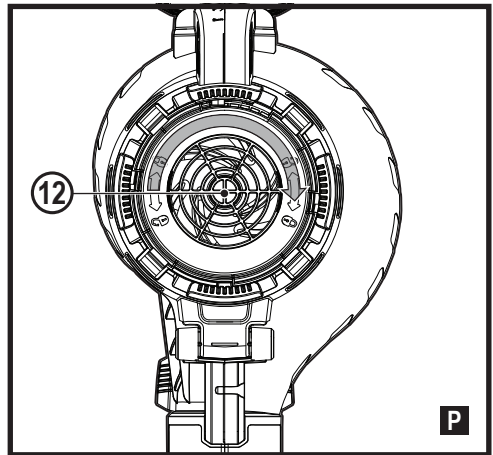
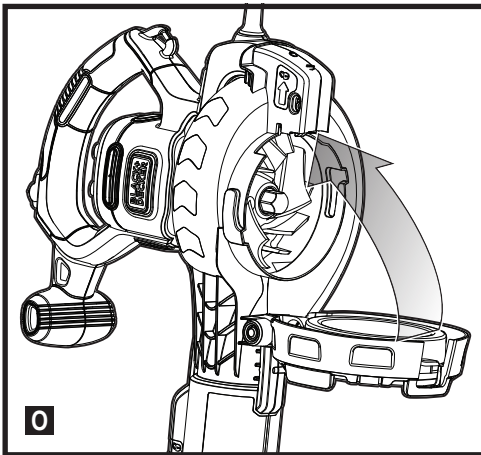
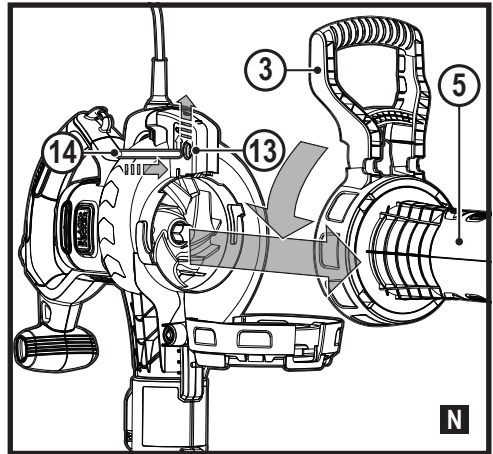
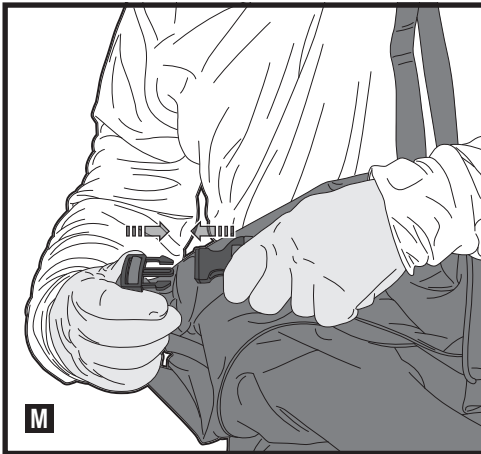
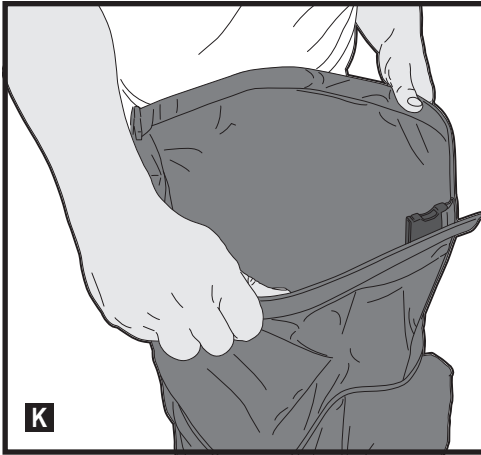
www.blackanddecker.eu

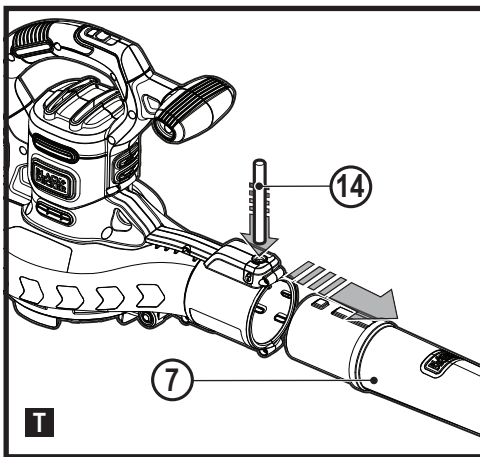
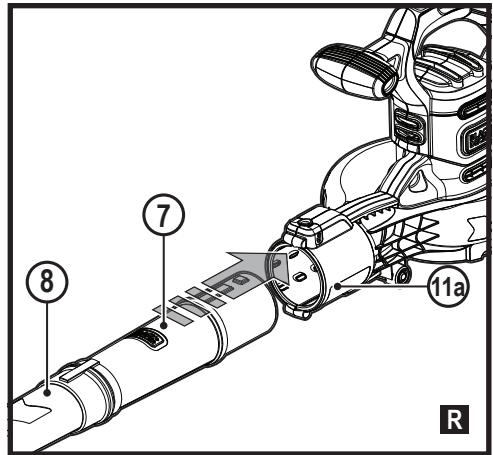
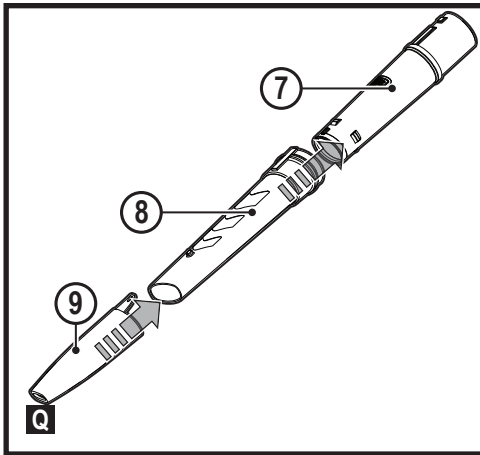
BEBLV290
BEBLV300

- EN
- DE
- FR
- IT
- NL
- ES
- PT
- SV
- NO
- DK
- FI
- EL









Intended use

Your BLACK+DECKER™ BEBLV290, BEBLV300 blower vacs have been designed for leaf clearing. These appliances are intended for consumer and outdoor use only.

General appliance safety warnings



Warning! When using mains powered/cordless

appliances, basic safety precautions, including the following, should always be followed to reduce the risk of fire, electric shock, personal injury and material damage.

- ◆ Read all of this manual carefully before using the appliance, be familiar with the controls and the proper use of the appliance.
- ◆ The intended use is described in this manual. The use of any accessory or attachment or the performance of any operation with this appliance other than those recommended in this instruction manual may present a risk of personal injury.

The term "appliance" in all of the warnings listed below refers to your mains operated (corded) appliance or battery operated (cordless) appliance.

Save all warnings and instructions for future reference.

Save all warnings and instructions for future reference.

Using your appliance

- ◆ **Always take care when using the appliance.**
- ◆ Keep work area clean and well lit. Cluttered or dark areas invite accidents.
- ◆ Only use the appliance in daylight or good artificial light.
- ◆ Do not operate your appliance in explosive atmospheres, such as in the presence of flammable liquids, gases or dust.
- ◆ Never allow children or people unfamiliar with the instructions to use the appliance, local regulations may restrict the age of the operator.
- ◆ Do not allow children or animals to come near the work area or touch the appliance supply cord.
- ◆ Keep children, bystanders and animals away while operating an appliance. Distractions can cause you to lose control.
- ◆ The appliance is not to be used as a toy.
- ◆ Do not immerse the appliance in water.
- ◆ Do not open body casing. There are no user serviceable parts inside.

Personal safety

- ◆ Stay alert, watch what you are doing and use common sense when operating an appliance. Do not use an appliance while you are tired or under the influence of drugs, alcohol or medication. A moment of inattention while operating an appliance may result in serious personal injury.
- ◆ Where required, use personal protective equipment. Protective equipment such as eye protection, dust mask, non-skid safety shoes, hard hat, or hearing protection used for appropriate conditions will reduce personal injuries.
- ◆ Prevent unintentional starting. Make sure that the switch is in the off position before connecting to a power source and/or battery pack, picking up or carrying the appliance. Carrying appliances with your finger on the switch or energising appliances that have the switch on invites accidents.
- ◆ Do not overreach. Keep proper footing and balance at all times. This enables better control of the appliance in unexpected situations.
- ◆ Dress properly. Do not wear loose clothing or jewellery. Keep your hair, clothing and gloves away from moving parts. Loose clothes, jewellery or long hair can be caught in moving parts.

Appliance use and care

- ◆ Before use, check the appliance for damaged or defective parts. Check for breakage of parts, damage to switches and any other conditions that may affect its operation.
- ◆ Do not use the appliance if the switch does not turn it on and off. Any appliance that cannot be controlled with the switch is dangerous and must be repaired.
- ◆ Disconnect the plug from the power source and/or the battery pack from the appliance before making any adjustments, changing accessories, or storing appliances. Such preventive safety measures reduce the risk of starting the appliance accidentally.
- ◆ Where applicable, keep cutting tools sharp and clean. Properly maintained cutting tools with sharp cutting edges are less likely to bind and are easier to control.
- ◆ Do not use the appliance if any part is damaged or defective.
- ◆ Have any damaged or defective parts repaired or replaced by an authorised repair agent.
- ◆ Never attempt to remove or replace any parts other than those specified in this manual.

Electrical safety

- ◆ Appliance plugs must match the outlet. Never modify the plug in any way. Do not use any adapter plugs with earthed (grounded) appliance.

Unmodified plugs and matching outlets will reduce risk of electric shock.

- ◆ Do not expose appliance to rain or wet conditions. Water entering a appliance will increase the risk of electric shock.
- ◆ Do not abuse the cord. Never use the cord for carrying, pulling or unplugging the appliance. Keep cord away from heat, oil, sharp edges or moving parts. Damaged or entangled cords increase the risk of electric shock.
- ◆ When operating an appliance outdoors, use an extension cord suitable for outdoor use. Use of a cord suitable for outdoor use reduces the risk of electric shock.
- ◆ If operating an appliance in a damp location is unavoidable, use a Residual Current Device (RCD) protected supply. Use of an RCD reduces the risk of electric shock.

After Use

- ◆ When not in use, the appliance should be stored in a dry, well ventilated place out of the reach of children.
- ◆ Children should not have access to stored appliances.
- ◆ When the appliance is stored or transported in a vehicle it should be placed in the boot or restrained to prevent movement following sudden changes in speed or direction.

Service

- ◆ Have your appliance serviced by a qualified repair person using only identical replacement parts.

This will ensure that the safety of the appliance is maintained.

Additional Safety instructions for blow vacs

The intended use is described in this manual. The use of any accessory or attachment or performance of any operation with this appliance other than those recommended in this instruction manual can present a risk of personal injury and/or damage to property.

- ◆ To protect your feet and legs while operating the appliance, always wear heavy duty footwear and long trousers.
- ◆ Do not use in vacuum mode without the vacuum tubes and collection bag in place.
- ◆ Always switch off your product, allow the fan to stop and remove the plug from the socket when:
 - ◆ Changing from blower to vacuum.
 - ◆ The supply cable has become damaged or entangled.
 - ◆ You leave your product unattended.
 - ◆ Clearing a blockage.
 - ◆ Checking, adjusting, cleaning or working on your product.
 - ◆ If the appliance starts to vibrate abnormally.
- ◆ Do not place the inlet or outlet of the vacuum near eyes or ears when operating.
- ◆ Never blow debris in the direction of bystanders.
- ◆ Do not use in the rain or leave outdoors while it is raining.

- ◆ Do not cross gravel paths or roads whilst your product is switched on during blow/vac mode.
- ◆ Walk, never run.
- ◆ Do not place your unit down on gravel while it is switched on.
- ◆ Always be sure of your footing, particularly on slopes.
- ◆ Do not overreach and keep your balance at all times.
- ◆ Do not pick up matter that may be contaminated with flammable or combustible liquids such as gasoline, or use in areas where they might be present.
- ◆ Do not place any objects into the openings. Never use if the openings are blocked - keep free of hair, lint, dust and anything that may reduce the airflow.

Warning! Always use your product in the manner outlined in this manual.

Your product is designed to be used in an upright mode and if it is used in any other way it may result in injury. Never run your product whilst lying on it's side or upside down.

- ◆ The operator or user is responsible for accidents or hazards occurring to other people or their property.
- ◆ Do not carry the appliance by the cable.
- ◆ Always direct the cable to the rear away from the appliance.

Warning! If a cord becomes damaged during use, disconnect the supply cord from the mains supply immediately.

Do not touch the supply cord before disconnecting the supply.

- ◆ Do not use solvents or cleaning fluids to clean your product. Use a blunt scraper to remove grass and dirt.
- ◆ Check the collection bag frequently for wear or deterioration.
- ◆ Replacement fans are available from a BLACK+DECKER service agent. Use on BLACK+DECKER recommended spare parts and accessories.
- ◆ Keep all nuts bolts and screws tight to make sure that the appliance is in a safe working condition.

Safety of others

- ◆ This appliance can be used by children aged from 8 years and above and persons with reduced physical, sensory or mental capabilities or lack of experience and knowledge if they have been given supervision or instruction concerning use of the appliance in a safe way and understand the hazards involved. Children shall not play with the appliance. Cleaning and user maintenance shall not be made by children without supervision.
- ◆ Children should be supervised to ensure that they do not play with the appliance.

Electrical safety



This appliance is double insulated; therefore no earth wire is required.

Always check that the power supply corresponds to the voltage on the rating plate.

- ◆ If the supply cord is damaged, it must be replaced by the manufacturer or an authorised BLACK+DECKER Service Centre in order to avoid a hazard.
- ◆ Electric safety can be further improved by using a high sensitivity 30 mA Residual Current Device (RCD).

Using an extension cable

Always use an approved extension cable suitable for the power input of this tool (see technical data). The extension cable must be suitable for outdoor use and marked accordingly. Up to 30 m of 1.5 mm² HO5V V-F extension cable can be used without loss of product performance. Before use, inspect the extension cable for signs of damage, wear and ageing. Replace the extension cable if damaged or defective. When using a cable reel, always unwind the cable completely.

Residual risks

Additional residual risks may arise when using the tool which may not be included in the enclosed safety warnings. These risks can arise from misuse, prolonged use etc. Even with the application of the relevant safety regulations and the implementation of safety devices, certain residual risks can not be avoided. These include:

- ◆ Injuries caused by touching any rotating/ moving parts.
- ◆ Injuries caused when changing any parts, blades or accessories.
- ◆ Injuries caused by prolonged use of a tool. When using any tool for prolonged periods ensure you take regular breaks.
- ◆ Impairment of hearing.
- ◆ Health hazards caused by breathing dust developed when using your tool (example:- working with wood, especially oak, beech and MDF.).

Vibration

The declared vibration emission values stated in the technical data and the declaration of conformity have been measured in accordance with a standard test method provided by EN50636 and may be used for comparing one tool with another. The declared vibration emission value may also be used in a preliminary assessment of exposure.

Warning! The vibration emission value during actual use of the power tool can differ from the declared value depending on the ways in which the tool is used. The vibration level may increase above the level stated.

When assessing vibration exposure to determine safety measures required by 2002/44/EC to protect persons regularly using power tools in employment, an estimation of vibration exposure should consider, the actual conditions of use and the way the tool is used, including taking account of all parts of the operating

cycle such as the times when the tool is switched off and when it is running idle in addition to the trigger time.

Labels on Appliance

The following pictograms, along with the date code, are shown on the tool.



Warning! Read the manual prior to operation.



Wear safety glasses or goggles when operating this appliance.



Wear suitable ear protection when operating this appliance.



Do not expose the tool to rain or high humidity or leave outdoors while it is raining.



Switch off: remove plug from mains before cleaning or maintenance.



Disconnect the mains plug if the cord becomes damaged or entangled.



Beware of flying objects.



Keep bystanders away.



Directive 2000/14/EC guaranteed sound power.

Features

This appliance includes some or all of the following features.

1. On/Off switch - speed control
2. Front handle
3. Back handle
4. Power head
5. Upper vacuum tube
6. Lower vacuum tube
7. Upper blower tube
8. Lower blower tube
9. Concentrator

10. Collection bag
11. Bag connector

Using your product

Warning! When using as a blower or vacuum, always wear safety glasses. If using in dusty conditions, wear a filter mask as well.

Warning! Switch off your product, allow the fan to stop and remove the plug from the socket before carrying out any adjustment, servicing or maintenance.

Assembly



Warning! Before assembly, make sure that the appliance is switched off and unplugged.



Warning! Always wear protective gloves when working with your blow vac.

Vacuum tube assembly (fig. A)

The vacuum tubes must be assembled together before use.

Warning! Do not operate the appliance with the vacuum tubes separated.

- ◆ To ease assembly, apply a soapy water solution to the joint area.
- ◆ Align the notches (5a) and the recesses (6a) on the upper (5) and lower (6) vacuum tubes.
- ◆ Push the lower vacuum tube (6) firmly onto the upper vacuum tube (5) until they click into place.

Warning! Do not separate the tubes once assembled.

Vacuum mode (fig. B, C, D, E, F, G, H, I, J, K, L, M)

- ◆ Rotate the fan guard assembly anti-clockwise as (fig. B).
- ◆ Insert the rod (14) (supplied) into the fan guard release (13) and push upward to release the fan guard assembly (12) as shown in figure C.
- ◆ Drop the fan guard assembly (12) forward as shown in figure D.
- ◆ Insert the assembled vacuum tube (5) into the available recess in the power head (4) as shown in figure E.
- ◆ Rotate the assembled vacuum tube clockwise so that the bayonet fixing locks into place as shown in figure E.
- ◆ Insert the collection bag connector (11) onto the power head receptacle (11a) as shown in figure F.
- ◆ Place the straps from the collection bag (10) over your shoulders (fig. G) this will support the additional weight as the back pack collection bag fills.
- ◆ Position the vacuum tube slightly above the debris/leaves. Switch on the appliance by pushing the On/Off switch (1) upwards (fig.H insert) and use a sweeping motion; the debris/leaves will be sucked up the tube, and thrown into the collection bag (10) (fig. H).
- ◆ As the bag fills, the power of the suction will decrease, switch off the appliance and unplug from the mains power supply.

- ◆ Unclip the the catch (10a) on the back pack collection bag (fig I).
- ◆ Unfold the opening of the back pack collection pack (fig J).
- ◆ Open the back pack collection pack (fig K) and proceed to empty its contents.
- ◆ To seal the collection bag, hold the flexible bars together and roll 2-3 times (fig L).
- ◆ Latch the retaining clip (10a) as shown in figure M.

Warning! Never remove the collection bag without first turning off and unplugging the appliance.

Note: If the suction decreases and the bag is not full, the vacuum tube is probably clogged with debris. Turn off and unplug the vacuum and clear the tube before continuing.

- ◆ When task is complete, rotate the assembled vacuum tube anticlockwise to release the bayonet fixing. Insert the rod (14) into the fan guard release (13) and push upwards to release the assembled vacuum tube. Remove the assembled vacuum tube from the powerhead as shown in figure N.
- ◆ Replace the fan guard assembly as shown in figure O.
- ◆ Rotate the fan guard assembly clockwise as shown in figure P.

Blower mode (fig. Q, R, S, T)

- ◆ Assemble the upper blow tube (7), the lower blow tube (8) and the optional concentrator (9) as shown in figure Q.
- ◆ Push the assembled blow tube onto the vacuum outlet (11a) until the lock engages tightly with the blow tube as shown in figure R.

Warning! Never operate in Blow mode without the blow tube firmly in place.

- ◆ Hold the blow tube approximately 180 mm above the ground, switch on the appliance and using a sweeping motion from side to side, advance slowly keeping the accumulated debris/leaves in front of you (fig. S).
- ◆ Once you have blown the debris/leaves into a pile, you can remove the blow tube assembly by inserting the rod (14) into the aperture on the vacuum head and pushing down to release the lock as shown in figure T.
- ◆ Now you can convert to vacuum mode and collect the debris.

Troubleshooting

Problem	Possible solution
Failure to operate	Check the connection to the power supply
	Check the fuse in the plug, if blown, replace (UK only).
	Check that the blow/vacuum tube assembly is correctly fitted to the powerhead.
	If the fuse continues to blow - immediately disconnect from the mains power supply and consult your local BLACK+DECKER authorised repair agent.

Poor vacuum/high pitched whine	Switch off - disconnect from the mains power supply, debris should fall clear of the tube.
	Remove and empty the collection bag.
	Check that both the inlet and exit ports on the vacuum tube are clear.
	Remove any debris from the fan area.
	If poor vacuuming continues - immediately disconnect from the mains power supply and consult your local BLACK+DECKER authorised repair agent

Maintenance

Your BLACK+DECKER appliance has been designed to operate over a long period of time with a minimum of maintenance.

Continuous satisfactory operation depends upon proper appliance care and regular cleaning.

- ◆ Keep the appliance clean and dry.
- ◆ Remove any leaves stuck to the inside of the vacuum tube.
- ◆ Regularly clean the ventilation slots with a clean, dry paint brush.
- ◆ Regularly clean the collection bag and ensure that it is clean and empty after each use.
- ◆ To clean the appliance, use only mild soap and a damp cloth. Never let any liquid get inside the tool and never immerse any part of the tool into liquid. Do not use any abrasive or solvent-based cleaner.
- ◆ Self lubricating bearings are used in your product, therefore lubrication is not required.

Mains plug replacement (U.K. & Ireland only)

If a new mains plug needs to be fitted:

- ◆ Safely dispose of the old plug.
- ◆ Connect the brown lead to the live terminal in the new plug.
- ◆ Connect the blue lead to the neutral terminal.

Warning! No connection is to be made to the earth terminal. Follow the fitting instructions supplied with good quality plugs. Recommended fuse: 13 A.

Protecting the environment



Separate collection. Products and batteries marked with this symbol must not be disposed of with normal household waste.

Products and batteries contain materials that can be recovered or recycled reducing the demand for raw materials. Please recycle electrical products and batteries according to local provisions. Further information is available at www.2helpU.com

Technical data

		BEBLV290	BEBLV300
Input voltage	V _{AC}	230	230
Power Input	W	2900	3000
Capacity	L	55	72
Weight (blower)	kg	3.6	3.6
Weight (vacuum)	kg	4.4	4.4

Level of sound pressure according to EN 50636-2-100
Sound pressure level at the operator position: (L _{PA}) 90.0 dB(A), uncertainty (K) 1.2 dB(A)
Sound power level (L _{WA}) 102.5 dB(A), uncertainty (K) 1.1 dB(A)

Vibration total values (triax vector sum) according to EN 50636-2-100
Vibration (a _v) 3.0 m/s ² , uncertainty (K) 1.8 m/s ²

**EC DECLARATION OF CONFORMITY
MACHINERY DIRECTIVE**



BEBLV290, BEBLV300 Blower Vac

Black & Decker declares that these products described under "technical data" are in compliance with:

2006/42/EC, EN60335-1:2012+A11:2014+A13:2017+A1:2019+A14:2019+A2:2019, EN50636-2-100:2014.

2000/14/EC, Annex V

LWA (measured sound power level) 102.5 dB(A),
Uncertainty (K)=1.1 dB(A),

LWA (guaranteed sound power) 104 dB(A).

These products also comply with Directive 2014/30/EU and 2011/65/EU.

For more information, please contact Black & Decker at the following address or refer to the back of the manual.

The undersigned is responsible for compilation of the technical file and makes this declaration on behalf of Black & Decker.

Patrick Diepenbach

Patrick Diepenbach
General Manager, Benelux
Black and Decker,
Egide Walschaertsstraat 14-18
2800 Mechelen, Belgium
15.03.2021

**DECLARATION OF CONFORMITY
THE SUPPLY OF MACHINERY (SAFETY)
REGULATIONS 2008**



BEBLV290, BEBLV300 Blower Vac

Black & Decker declares that these products described under "technical data" are in compliance with:

The Supply of Machinery (Safety) Regulations, 2008, S.I. 2008/1597 (as amended), EN60335-1:2012+A1 1:2014+A13:2017+A1:2019+A14:2019+A2:2019, EN50636-2-100:2014.

The Noise Emission in the Environment by Equipment for use Outdoors Regulations 2001, S.I. 2001/1701 (as amended), Schedule 8.

LWA (measured sound power level) 102.5 dB(A),
Uncertainty (K)=1.1 dB(A),

LWA (guaranteed sound power) 104 dB(A).

These products conform to the following UK Regulations: Electromagnetic Compatibility Regulations, 2016, S.I.2016/1091 (as amended).

The Restriction of the Use of Certain Hazardous Substances in Electrical and Electronic Equipment Regulations 2012, S.I. 2012/3032 (as amended).

For more information, please contact Black & Decker at the following address or refer to the back of the manual.

The undersigned is responsible for compilation of the technical file and makes this declaration on behalf of Black & Decker.

Paul Featherstone
Product Director – Outdoor Products Group
Black and Decker UK, 270 Bath Road, Slough
Berkshire, SL1 4DX
United Kingdom
15.03.2021

Guarantee

Black & Decker is confident of the quality of its products and offers consumers a 24 month guarantee from the date of purchase. This guarantee is in addition to and in no way prejudices your statutory rights. The guarantee is valid within the territories of the Member States of the European Union and the European Free Trade Area.

To claim on the guarantee, the claim must be in accordance with Black&Decker Terms and Conditions and you will need to submit proof of purchase to the seller or an authorised repair agent.

Terms and conditions of the Black&Decker 2 year guarantee and the location of your nearest authorised repair agent can be obtained on the Internet at www.2helpU.com, or by contacting your local Black & Decker office at the address indicated in this manual.

Please visit our website www.blackanddecker.co.uk to register your new Black & Decker product and receive updates on new products and special offers.

Verwendungszweck

Die BLACK+DECKER™ Laubbläser/-sauger BEBLV290, BEBLV300 wurden zur Beseitigung von Laub entwickelt. Diese Geräte sind nicht für den gewerblichen Einsatz vorgesehen und dürfen nur im Freien verwendet werden.

Allgemeine Sicherheitswarnungen für das Gerät



Warnung! Beachten Sie beim Umgang mit kabelgebundenen/ kabellosen

Geräten stets die grundlegenden Sicherheitshinweise, die im Folgenden beschrieben werden. Dadurch verhindern Sie Brände, Stromschläge sowie Sach- und Personenschäden.

- ◆ Lesen Sie diese Bedienungsanleitung vor der Verwendung des Geräts aufmerksam durch, und machen Sie sich mit den Bedienelementen sowie der ordnungsgemäßen Verwendung des Geräts vertraut.
- ◆ Der vorgesehene Verwendungszweck ist in dieser Anleitung beschrieben. Bei Verwendung von Zubehör oder Anbauteilen, die nicht in dieser Anleitung empfohlen werden, sowie bei der Verwendung des Geräts

in Abweichung von den in dieser Anleitung beschriebenen Verfahren besteht Verletzungsgefahr.

Der in den folgenden Warnungen verwendete Begriff "Gerät" bezieht sich auf netzbetriebene Geräte (mit Netzkabel) und auf akkubetriebene Geräte (ohne Netzkabel).

Bewahren Sie alle Warnhinweise und alle Anweisungen gut auf.

Bewahren Sie alle Warnhinweise und alle Anweisungen gut auf.

Verwendung des Geräts

- ◆ **Verwenden Sie das Gerät stets mit Umsicht.**
- ◆ Halten Sie den Arbeitsbereich sauber und gut ausgeleuchtet. Unaufgeräumte oder dunkle Bereiche begünstigen Unfälle.
- ◆ Betreiben Sie das Gerät nur bei Tageslicht oder bei ausreichender Beleuchtung.
- ◆ Betreiben Sie das Gerät nicht in explosionsgefährdeter Umgebung, in der sich brennbare Flüssigkeiten, Gase oder Stäube befinden.
- ◆ Kinder oder Personen, die mit diesen Anweisungen nicht vertraut sind, dürfen das Gerät nicht verwenden. Möglicherweise wird das Mindestalter des Bedieners durch regionale Richtlinien festgelegt.
- ◆ Achten Sie darauf, dass sich im Arbeitsbereich keine Kinder oder Tiere aufhalten. Verhindern Sie, dass

Kinder das Gerät oder das Netzkabel berühren.

- ◆ Halten Sie Kinder, Zuschauer und Tiere während der Benutzung von Geräten fern. Bei Ablenkung können Sie die Kontrolle verlieren.
- ◆ Das Gerät ist kein Spielzeug.
- ◆ Tauchen Sie das Gerät nicht in Wasser.
- ◆ Versuchen Sie nicht, das Gehäuse zu öffnen.

Es gibt keine vom Benutzer zu wartenden Teile im Inneren des Lasers.

Sicherheit von Personen

- ◆ Seien Sie aufmerksam, achten Sie darauf, was Sie tun, und gehen Sie sachgerecht mit dem Gerät um. Benutzen Sie das Gerät nicht, wenn Sie müde sind oder unter dem Einfluss von Drogen, Alkohol oder Medikamenten stehen. Ein Moment der Unachtsamkeit beim Gebrauch von Geräten kann zu ernsthaften Verletzungen führen.
- ◆ Verwenden Sie ggf. eine geeignete Schutzausrüstung. Schutzausrüstung wie Augenschutz, rutschfeste Sicherheitsschuhe, Schutzhelm oder Gehörschutz, je nach Art und Einsatz des Geräts, verringert das Risiko von Verletzungen.
- ◆ Vermeiden Sie eine unbeabsichtigte Inbetriebnahme. Vergewissern Sie sich, dass das Gerät ausgeschaltet ist, bevor Sie es an eine Steckdose oder einen Akku anschließen, es hochheben oder tragen.

Durch das Tragen des Geräts mit dem Finger am Schalter oder durch das Anschließen eingeschalteter Geräte werden Unfälle provoziert.

- ◆ Vermeiden Sie eine anormale Körperhaltung. Sorgen Sie für einen sicheren Stand und halten Sie jederzeit das Gleichgewicht. Dadurch können Sie das Gerät in unerwarteten Situationen besser unter Kontrolle halten.
- ◆ Tragen Sie geeignete Kleidung. Tragen Sie keine weite Kleidung und keinen Schmuck. Halten Sie Ihre Haare, Kleidung und Handschuhe von beweglichen Teilen fern. Lose sitzende Kleidung, Schmuck oder lange Haare können sich in den beweglichen Teilen verfangen.

Gebrauch und Pflege von Geräten

- ◆ Prüfen Sie das Gerät vor der Verwendung auf beschädigte oder defekte Teile. Prüfen Sie, ob Teile gebrochen sind, Schalter beschädigt sind oder andere Bedingungen vorliegen, welche die Funktion beeinträchtigen könnten.
- ◆ Betreiben Sie das Gerät nicht, wenn der Schalter zum Ein- und Ausschalten nicht funktioniert. Ein Gerät, das sich nicht mehr ein- oder ausschalten lässt, ist gefährlich und muss repariert werden.
- ◆ Ziehen Sie den Stecker aus der Steckdose, und/oder trennen

Sie das Gerät vom Akku, bevor Sie Einstellungen vornehmen, Zubehörteile wechseln oder das Gerät lagern. Diese Vorsichtsmaßnahmen verhindern den unbeabsichtigten Start des Geräts.

- ◆ Halten Sie ggf. die Schneidwerkzeuge scharf und sauber. Richtig gewartete Schneidwerkzeuge mit scharfen Klingen blockieren seltener und sind leichter unter Kontrolle zu halten.
- ◆ Betreiben Sie das Gerät nicht, wenn ein Teil beschädigt oder defekt ist.
- ◆ Lassen Sie beschädigte oder defekte Teile in einer Vertragswerkstatt reparieren oder austauschen.
- ◆ Ersetzen oder entfernen Sie keine Teile, für die in dieser Anleitung keine entsprechende Beschreibung enthalten ist.

Elektrische Sicherheit

- ◆ Der Netzstecker des Geräts muss in die Steckdose passen. Ändern Sie niemals den Stecker in irgendeiner Form. Verwenden Sie für schutzgeerdete Geräte keine Adapterstecker. Unveränderte Stecker und passende Steckdosen mindern die Gefahr eines elektrischen Schlages.
- ◆ Schützen Sie das Gerät vor Regen und Feuchtigkeit. Das Eindringen von Wasser in das Gerät erhöht das Risiko eines elektrischen Schlags.
- ◆ Verwenden Sie das Kabel ordnungsgemäß. Verwenden Sie das

Kabel niemals zum Tragen. Trennen Sie das Gerät nicht durch Ziehen am Kabel vom Netz. Halten Sie das Kabel fern von Hitze, Öl, scharfen Kanten oder beweglichen Teilen. Beschädigte oder verhedderte Kabel erhöhen die Gefahr eines elektrischen Schlages.

- ◆ Verwenden Sie nur für den Außenbereich zugelassene Verlängerungskabel, wenn Sie mit dem Gerät im Freien arbeiten. Die Verwendung eines für den Außenbereich geeigneten Verlängerungskabels verringert das Risiko eines elektrischen Schlags.
- ◆ Wenn ein Gerät in einer feuchten Umgebung verwendet werden muss, schließen Sie es unbedingt an eine Steckdose mit Fehlerstromschutzschalter (FI-Schalter) an. Ein Fehlerstromschutzschalter verringert das Risiko eines elektrischen Schlags.

Nach dem Gebrauch

- ◆ Bewahren Sie das Gerät bei Nichtgebrauch an einem trockenen, gut belüfteten Ort außerhalb der Reichweite von Kindern auf.
- ◆ Kinder sollten keinen Zugang zu aufbewahrten Geräten haben.
- ◆ Wenn das Gerät in einem Fahrzeug transportiert oder gelagert wird, bewahren Sie es im Kofferraum oder einer geeigneten Ablage auf, damit es bei plötzlichen Geschwindigkeits- oder Richtungsänderungen nicht in Bewegung geraten kann.

Service

- ◆ Lassen Sie das Gerät nur von qualifiziertem Fachpersonal und nur mit Originalersatzteilen reparieren. So wird gewährleistet, dass die Sicherheit des Geräts erhalten bleibt.

Zusätzliche Sicherheitshinweise für Laubbläser/-sauger

Der vorgesehene Verwendungszweck ist in dieser Anleitung beschrieben. Die Verwendung von Zubehör oder Anbauteilen, die nicht in dieser Anleitung empfohlen werden, sowie die Bedienung des Geräts in Abweichung von den in dieser Anleitung beschriebenen Verfahren kann zu Verletzungen und/oder Sachschäden führen.

- ◆ Tragen Sie zum Schutz Ihrer Füße und Beine stets feste Schuhe und eine lange Hose, wenn Sie mit dem Gerät arbeiten.
- ◆ Verwenden Sie den Saugmodus nur, wenn die Saugrohre und der Auffangbeutel angebracht sind.
- ◆ Schalten Sie in folgenden Fällen das Gerät stets aus, warten Sie, bis das Gebläse zum Stillstand gekommen ist, und ziehen Sie den Netzstecker:
 - ◆ Wenn Sie von Blas- auf Saugbetrieb wechseln.
 - ◆ Wenn das Netzkabel verheddert oder beschädigt ist.
 - ◆ Wenn Sie das Gerät unbeaufsichtigt lassen.
 - ◆ Wenn eine Verstopfung entfernt

werden muss.

- ◆ Wenn das Gerät überprüft, eingestellt oder gereinigt wird.
- ◆ Wenn das Gerät ungewöhnlich stark zu vibrieren beginnt.
- ◆ Halten Sie während des Betriebs Ihre Augen und Ohren von der Saug- und der Auslassöffnung fern.
- ◆ Richten Sie das Gebläse nicht in Richtung von Personen in Ihrer Nähe.
- ◆ Verwenden Sie das Gerät nicht bei Regen, und lassen Sie es nicht im Regen liegen.
- ◆ Schalten Sie das Gerät vor dem Überqueren von Kieswegen aus.
- ◆ Betreiben Sie das Gerät nur im Gehen, nie im Rennen.
- ◆ Legen Sie das eingeschaltete Gerät nicht auf Kies ab.
- ◆ Achten Sie stets auf Trittsicherheit, insbesondere bei Arbeiten an Hängen.
- ◆ Achten Sie jederzeit auf einen sicheren Stand und eine sichere Balance.
- ◆ Saugen Sie keine Materialien auf, die mit entzündlichen Flüssigkeiten wie Benzin getränkt sein könnten. Verwenden Sie das Gerät nicht in der Nähe solcher Materialien.
- ◆ Stecken Sie keine Gegenstände in die Öffnungen des Geräts. Verwenden Sie das Gerät nicht, wenn die Öffnungen verstopft sind. Halten Sie die Öffnungen frei von Haaren, Flusen, Staub usw., damit der Luftstrom nicht beeinträchtigt

wird.

Warnung! Befolgen Sie beim Gebrauch stets die Anweisungen in dieser Anleitung. Verwenden Sie das Gerät nur in aufrechter Position, um Verletzungen zu vermeiden. Betreiben Sie das Gerät nicht mit der Saugöffnung nach oben oder wenn es auf der Seite liegt.

- ◆ Der Bediener bzw. Benutzer ist für eventuelle Personen- oder Sachschäden verantwortlich.
- ◆ Tragen Sie das Gerät nicht am Kabel.
- ◆ Das Kabel sollte stets hinter dem Gerät geführt werden.


Warnung! Trennen Sie das Gerät sofort vom Stromnetz, wenn das Netzkabel während des Betriebs beschädigt wird. Berühren Sie das Kabel nicht, solange der Stecker noch in der Netzsteckdose steckt.

- ◆ Reinigen Sie das Gerät keinesfalls mit Lösungs- oder Reinigungsmitteln. Verwenden Sie einen stumpfen Schaber, um Gras und Verschmutzungen zu entfernen.
- ◆ Überprüfen Sie den Auffangbeutel regelmäßig auf Abnutzungen und Beschädigungen.
- ◆ Ersatzgebläse sind in BLACK+DECKER Vertragswerkstätten erhältlich. Verwenden Sie nur von BLACK+DECKER empfohlene Ersatz- und Zubehörteile.
- ◆ Ziehen Sie alle Muttern, Bolzen und Schrauben am Gerät fest, um einen sicheren Gerätebetrieb zu gewährleisten.

Sicherheit anderer Personen

- ◆ Dieses Gerät darf von Kindern ab 8 Jahren und Personen mit eingeschränkter körperlicher, sensorischer oder geistiger Fähigkeiten sowie mangelnder Erfahrung und Wissen in Bezug auf dessen Gebrauch bedient werden, wenn sie bei der Verwendung des Geräts beaufsichtigt oder angeleitet werden und die möglichen Gefahren verstehen. Kinder dürfen nicht mit dem Gerät spielen. Reinigung und Wartungsarbeiten dürfen von Kindern nur unter Aufsicht durchgeführt werden.
- ◆ Kinder müssen beaufsichtigt werden, um sicherzustellen, dass sie nicht mit dem Gerät spielen.

Elektrische Sicherheit

 Dieses Gerät ist schutzisoliert, daher ist keine Masseleitung erforderlich.

Überprüfen Sie immer, dass die Stromversorgung der Spannung auf dem Typenschild entspricht.

- ◆ Bei einer Beschädigung des Netzkabels muss dieses durch den Hersteller oder eine BLACK+DECKER-Vertragswerkstatt ausgetauscht werden, um mögliche Gefahren zu vermeiden.
- ◆ Die Verwendung eines Fehlerstromschutzschalters (30 mA) erhöht die elektrische Sicherheit.

Verwenden eines Verlängerungskabels

Verwenden Sie ausschließlich geprüfte Verlängerungskabel, die für die Leistungsaufnahme dieses Geräts ausgelegt sind (siehe "Technische Daten"). Das Verlängerungskabel muss für die Verwendung im Außenbereich geeignet und entsprechend gekennzeichnet sein.

Es kann ein 1.5 mm²-HO5V V-F-Verlängerungskabel von einer Länge von bis zu 30 m verwendet werden, ohne dass die Leistung des Geräts beeinträchtigt wird. Prüfen Sie vor der Inbetriebnahme das Netzkabel auf Verschleiß und Beschädigungen. Wechseln Sie beschädigte oder fehlerhafte Verlängerungskabel aus. Wenn Sie eine Kabeltrommel verwenden, wickeln Sie das Kabel vollständig ab.

Restrisiken

Beim Gebrauch dieses Geräts verbleiben zusätzliche Restrisiken, die möglicherweise nicht in den Sicherheitswarnungen genannt werden. Diese Risiken bestehen beispielsweise bei Missbrauch oder längerem Gebrauch. Auch bei der Einhaltung der entsprechenden Sicherheitsvorschriften und der Verwendung aller Sicherheitsgeräte bestehen weiterhin bestimmte Restrisiken. Diese sind:

- ◆ Verletzungen, die durch das Berühren von sich drehenden/bewegenden Teilen verursacht werden.
- ◆ Verletzungen, die durch das Austauschen von Teilen, Messern oder Zubehör verursacht werden.
- ◆ Verletzungen, die durch längeren Gebrauch eines Geräts verursacht werden. Legen Sie bei längerem Gebrauch regelmäßige Pausen ein.
- ◆ Beeinträchtigung des Gehörs.
- ◆ Gesundheitsrisiken durch das Einatmen von Staub beim Verwenden des Geräts (beispielsweise bei Holzarbeiten, insbesondere Eiche, Buche und MDF).

Vibration

Die in den Abschnitten "Technische Daten" und "EU-Konformitätserklärung" angegebenen Werte für die Vibrationsemission wurden mit einer Standard-Prüfmethode nach EN50636 ermittelt und können zum Vergleich verschiedener Geräte herangezogen werden. Außerdem kann mit Hilfe dieses Werts die Belastung bei Verwendung des Geräts schon im Voraus eingeschätzt werden.

Warnung! Die bei Verwendung des Geräts auftretende Vibrationsemission hängt von der Art des Gerätegebrauchs ab und kann dementsprechend von dem angegebenen Wert abweichen. Gegebenenfalls kann die Vibration über dem angegebenen Wert liegen. Für die Ermittlung der Vibrationsbelastung müssen die

tatsächlichen Einsatzbedingungen und Verwendungen des Geräts während des gesamten Arbeitsgangs berücksichtigt werden, einschließlich der Zeiten, wenn das Gerät nicht verwendet oder im Leerlauf betrieben wird. Diese Werte werden benötigt, um die gemäß 2002/44/EG erforderlichen Sicherheitsmaßnahmen zum Schutz von Personen festlegen zu können.

Warnsymbole am Gerät

Folgende Piktogramme sowie der Datumscode befinden sich auf dem Werkzeug:



Warnung! Lesen Sie vor Inbetriebnahme die Bedienungsanleitung.



Tragen Sie eine Schutzbrille, wenn Sie mit dem Gerät arbeiten.



Tragen Sie einen geeigneten Gehörschutz, wenn Sie mit dem Gerät arbeiten.



Setzen Sie das Gerät weder Regen noch starker Feuchtigkeit aus.



Ausschalten: Vor der Reinigung bzw. Wartung Netzstecker ziehen.



Ziehen Sie den Netzstecker, wenn das Kabel beschädigt oder verheddert ist.



Achten Sie auf Gegenstände, die eventuell umhergeschleudert werden.



Halten Sie Zuschauer aus dem Gefahrenbereich fern.



Garantierter Schalldruckpegel, gemessen nach Richtlinie 2000/14/EG.

Merkmale

Dieses Gerät verfügt über einige oder alle der folgenden Merkmale.

1. Ein/Aus-Schalter - Geschwindigkeitsregelung
2. Vorderer Handgriff
3. Hinterer Griff
4. Saugkopf
5. Oberes Saugrohr
6. Unteres Saugrohr
7. Oberes Gebläserohr
8. Unteres Gebläserohr
9. Konzentrator
10. Auffangbeutel
11. Beutelanschluss

Verwenden des Geräts

Warnung! Tragen Sie beim Gebrauch des Laubbläse-/saugers stets eine Schutzbrille. Tragen Sie in staubigen Umgebungen zusätzlich eine Filtermaske.

Warnung! Schalten Sie das Gerät vor Anpassungen oder Wartungsarbeiten aus, warten Sie bis das Gebläse zum Stillstand gekommen ist, und ziehen Sie den Netzstecker.

Montage



Warnung! Vergewissern Sie sich vor der Montage, dass das Gerät ausgeschaltet und von der Stromversorgung getrennt ist.



Warnung! Tragen Sie stets Schutzhandschuhe, wenn Sie mit dem Laubbläse-/sauger arbeiten.

Montage des Saugrohrs (Abb. A)

Das Saugrohr muss vor der Verwendung montiert werden.

Warnung! Verwenden Sie das Gerät ausschließlich mit vollständig montiertem Saugrohr.

- ◆ Die Verwendung von Seifenlauge an der Verbindungsstelle erleichtert die Montage.
- ◆ Richten Sie die Kerben (5a) und die Dreiecke (6a) am oberen (5) und unteren (6) Saugrohr aus.
- ◆ Drücken Sie das untere Saugrohr (6) kräftig in das obere Saugrohr (5), bis sie einrasten.

Warnung! Versuchen Sie nicht, das Rohr nach der Montage wieder zu zerlegen.

Saugmodus (Abb. B, C, D, E, F, G, H, I, J, K, L, M)

- ◆ Drehen Sie die Lüfterschutzbaugruppe gegen den Uhrzeigersinn (Abb. B).
- ◆ Führen Sie die Stange (14) (mitgeliefert) in die Lüfterschutzriegelungsvorrichtung (13) ein und drücken Sie sie nach oben, um die Lüfterschutzbaugruppe (12) wie in Abbildung C gezeigt zu lösen.
- ◆ Klappen Sie die Lüfterschutzbaugruppe (12) wie in Abbildung D gezeigt nach vorne.
- ◆ Setzen Sie das zusammengebaute Saugrohr (5) wie in Abbildung E gezeigt in die vorhandene Aussparung im Saugkopf (4) ein.
- ◆ Drehen Sie das zusammengebaute Saugrohr im Uhrzeigersinn, so dass der Bajonettverschluss wie in Abbildung E gezeigt einrastet.
- ◆ Setzen Sie den Beutelanschluss (11) wie in Abbildung F gezeigt in den Saugkopfanschluss (11a) ein.
- ◆ Legen Sie sich die am Auffangbeutel (10) angebrachten Tragriemen über die Schultern (Abb. G), um das zusätzliche Gewicht zu halten, wenn sich der Rucksack-Auffangbeutel füllt.
- ◆ Halten Sie das Saugrohr dicht über dem Laub/Schmutz. Schalten Sie das Gerät ein, indem Sie den Ein/Aus-Schalter (1) nach oben schieben (Ausschnitt in Abb. H), und saugen Sie das Laub/den Schmutz mit Kehrbewegungen auf. Das Material wird vom Rohr aufgesaugt und im Auffangbeutel (10) gesammelt (Abb. H).
- ◆ Die Saugleistung lässt nach, wenn der Auffangbeutel gefüllt ist. Schalten Sie das Gerät aus, und ziehen Sie den Netzstecker.
- ◆ Lösen Sie den Haken (10a) am Rucksack-Auffangbeutel (Abb. I).
- ◆ Entfalten Sie die Öffnung am Rucksack-Auffangbeutel (Abb. J).
- ◆ Öffnen Sie den Rucksack-Auffangbeutel (Abb. K) und entleeren Sie ihn.
- ◆ Um den Auffangbeutel abzudichten, halten Sie die flexiblen Stangen zusammen und rollen Sie diese 2-3 Mal hin und her (Abb. L).
- ◆ Schließen Sie die Schnalle (10a) wie in Abbildung M gezeigt.

Warnung! Entfernen Sie den Auffangbeutel keinesfalls, ohne vorher das Gerät auszuschalten und vom Stromnetz zu trennen.

Hinweis: Wenn die Saugleistung trotz leerem Auffangbeutel nachlässt, ist möglicherweise das Saugrohr verstopft.

Schalten Sie das Gerät aus, trennen Sie es vom Stromnetz, und reinigen Sie das Rohr, bevor Sie die Arbeit fortsetzen.

- ◆ Danach drehen Sie das zusammengebaute Saugrohr gegen den Uhrzeigersinn, um den Bajonettverschluss zu lösen. Führen Sie die Stange (14) in die Lüfterschutzentriegelungsvorrichtung (13) ein und drücken Sie sie nach oben, um das zusammengebaute Saugrohr zu lösen. Entfernen Sie das zusammengebaute Saugrohr wie in Abbildung N gezeigt vom Saugkopf.
- ◆ Bringen Sie die Lüfterschutzbaugruppe wie in Abbildung O gezeigt wieder an.
- ◆ Drehen Sie die Lüfterschutzbaugruppe wie in Abbildung P gezeigt im Uhrzeigersinn.

Gebläsemodus (Abb. Q, R, S, T)

- ◆ Bauen Sie das obere Gebläserohr (7), das untere Gebläserohr (8) und den optionalen Konzentrator (9) wie in Abbildung Q gezeigt zusammen.
- ◆ Drücken Sie das zusammengebaute Gebläserohr wie in Abbildung R gezeigt auf die Auswurföffnung (11a), bis die Verriegelung sicher am Gebläserohr einrastet.

Warnung! Verwenden Sie den Gebläsemodus nicht, wenn das Gebläserohr nicht fest in seiner Position sitzt.

- ◆ Halten Sie das Gebläserohr ca. 180 mm über dem Boden, schalten Sie das Gerät ein, und führen Sie das Gerät mit Kkehrbewegungen von einer Seite zur anderen. Gehen Sie langsam vorwärts, und bleiben Sie stets hinter dem gesammelten Laub und Schmutz (Abb. S).
- ◆ Sobald Sie den Schmutz/die Blätter zu einem Haufen zusammengeblasen haben, können Sie die Blasrohrbaugruppe entfernen, indem Sie die Stange (14) in die Öffnung am Saugkopf einführen und nach unten drücken, um die Verriegelung wie in Abbildung T gezeigt zu lösen.
- ◆ Jetzt können Sie zum Saugmodus wechseln und Schmutz/Blätter aufsaugen.

Fehlerbehebung

Problem	Mögliche Lösung
Gerät kann nicht eingeschaltet werden	Überprüfen Sie die Stromversorgung.
	Überprüfen Sie die Sicherung des Steckers, und ersetzen Sie diese ggf. (nur Großbritannien).
	Überprüfen Sie, ob das Gebläse-/Saugrohr ordnungsgemäß an der Antriebseinheit angebracht ist.
	Wenn die Sicherung dennoch durchbrennt, ziehen Sie unverzüglich den Netzstecker, und wenden Sie sich bezüglich der Reparatur an eine BLACK+DECKER Vertragswerkstatt.
Geringe Saugleistung/ hohes Pfeifen	Schalten Sie das Gerät aus, und ziehen Sie den Netzstecker. Die Schmutzablagerungen sollten sich aus dem Rohr lösen.
	Entfernen Sie den Auffangbeutel, und leeren Sie diesen.
	Überprüfen Sie, ob die Einsaug- und Auswurföffnung des Saugrohrs verstopft sind.
	Entfernen Sie alle Verschmutzungen im Gebläsebereich.
	Wenn die Saugleistung sich nicht verbessert, ziehen Sie unverzüglich den Netzstecker, und wenden Sie sich bezüglich der Reparatur an eine BLACK+DECKER Vertragswerkstatt.

Wartung

Ihr BLACK+DECKER Gerät wurde im Hinblick auf eine lange Lebensdauer und einen möglichst geringen Wartungsaufwand entwickelt.

Ein kontinuierlicher, zufriedenstellender Betrieb hängt von der richtigen Pflege des Gerätes und seiner regelmäßigen Reinigung ab.

- ◆ Bewahren Sie das Gerät sauber und trocken auf.
- ◆ Entfernen Sie sämtliche Blätter aus dem Saugrohr.
- ◆ Reinigen Sie die Lüftungsschlitze regelmäßig mit einem sauberen, trockenen Pinsel.
- ◆ Reinigen Sie den Auffangbeutel regelmäßig, und stellen Sie nach jeder Verwendung sicher, dass er sauber und leer ist.
- ◆ Reinigen Sie das Gerät ausschließlich mit milder Seifenlösung und einem feuchten Tuch. Achten Sie darauf, dass keine Flüssigkeit in das Gerät gelangt. Tauchen Sie kein Teil des Geräts in Flüssigkeit ein. Verwenden Sie keine scheuernden Reinigungsmittel oder Reinigungsmittel auf Lösungsmittelbasis.
- ◆ Das Gerät verfügt über selbstschmierende Lager, weiteres Schmieren ist nicht erforderlich.

Austauschen des Netzsteckers (nur Großbritannien und Irland)

Wenn ein neuer Netzstecker angebracht werden muss:

- ◆ Entsorgen Sie den alten Stecker auf sachgerechte Weise.
- ◆ Verbinden Sie die braune Leitung mit dem spannungsführenden Anschluss des Steckers.
- ◆ Verbinden Sie die blaue Leitung mit dem neutralen Anschluss.

Warnung! Stellen Sie keine Verbindung mit dem Erdungsanschluss her.

Befolgen Sie die Montageanweisungen, die mit hochwertigen Steckern mitgeliefert werden.

Empfohlene Sicherung: 13 A.

Umweltschutz



Getrennte Entsorgung. Produkte und Akkus mit diesem Symbol dürfen nicht mit dem normalen Hausmüll entsorgt werden.

Produkte und Akkus enthalten Materialien, die wiederverwertet werden können, um den Bedarf an Rohstoffen zu verringern. Bitte recyceln Sie elektrische Produkte und Akkus gemäß den örtlichen Bestimmungen. Weitere Informationen finden Sie auf www.2helpU.com

Technische Daten

		BEBLV290	BEBLV300
Eingangsspannung	V_{AC}	230	230
Leistungsaufnahme	W	2900	3000
Kapazität	L	55	72
Gewicht (Laubgebläse)	kg	3,6	3,6
Gewicht (Laubsauger)	kg	4,4	4,4

Schalldruckpegel gemessen nach EN 50636-2-100

Schalldruckpegel an der Position des Bedieners: (L_{PA}) 90,0 dB(A), Unsicherheitsfaktor (K) 1,2 dB(A)

Schalleistungspegel (L_{WA}) 102,5 dB(A), Unsicherheitsfaktor (K) 1,1 dB(A)

Gesamtvibration (Triax-Vektorsumme) gemäß EN 50636-2-100

Vibration (a_v) 3,0 m/s², Unsicherheitsfaktor (K) 1,8 m/s²

EU-Konformitätserklärung

MASCHINENRICHTLINIE
AUSSENLAUTSTÄRKERICHTLINIE



BEBLV290, BEBLV300 - Laubbläser/-sauger
Black & Decker erklärt, dass die in den technischen Daten

beschriebenen Geräte übereinstimmen mit:

2006/42/EC, EN60335-1:2012+A11:201, EN50636-2-100:2014, 2000/14/EG, Laubsauger/-bläser, Anhang V
DEKRA Quality B.V., Utrechtseweg 310, 6802 ED Arnhem,
Niederlande Gemeldet unter ID-Nr.: 0344

Schallpegel gemäß 2000/14/EG (Artikel 13, Anhang III):

Schalleistungspegel: L_{WA}: 102,5 dB(A); K=1,1 dB(A)

Garantierter Schalleistungspegel: L_{WA}: 104 dB(A)

Diese Produkte entsprechen außerdem den Richtlinien 2014/30/EU und 2011/65/EU. Weitere Informationen erhalten Sie von Black & Decker unter der folgenden Adresse. Diese befindet sich auch auf der Rückseite dieser Anleitung.

Der Unterzeichnete ist verantwortlich für die Zusammenstellung des technischen Dossiers und gibt diese Erklärung im Namen von
Black & Decker ab.

Patrick Diepenbach

Patrick Diepenbach
General Manager, Benelux
Black and Decker,
Egide Walschaertsstraat 14-18
2800 Mechelen, Belgien
24/11/2021

Garantie

Black & Decker vertraut auf die Qualität der eigenen Geräte und bietet dem Käufer eine außergewöhnliche Garantie von 24 Monaten ab Kaufdatum. Diese Garantie versteht sich unbeschadet der gesetzlichen Gewährleistungsansprüche und schränkt diese keinesfalls ein. Diese Garantie gilt innerhalb der Staatsgebiete der Mitgliedstaaten der Europäischen Union und der Europäischen Freihandelszone.

Zur Inanspruchnahme dieser Garantie muss sie den allgemeinen Geschäftsbedingungen von Black&Decker entsprechen und dem Verkäufer bzw. der Vertragswerkstatt ist ein Kaufnachweis vorzulegen.

Die Bedingungen für die 2-jährige Garantie von Black&Decker und den Standort Ihrer nächstgelegenen Vertragswerkstatt finden Sie im Internet unter www.2helpU.com oder indem Sie sich an die lokale Black&Decker-Niederlassung wenden, deren Adresse Sie in dieser Anleitung finden.

Ihr neues Black & Decker Produkt können Sie auf unserer Website unter www.blackanddecker.de registrieren. Dort erhalten Sie auch Informationen über neue Produkte und Sonderangebote.

Utilisation prévue

Les aspirateurs-souffleurs BLACK+DECKER™ BEBLV290 et BEBLV300 ont été conçus pour éliminer les feuilles mortes. Ces appareils ne peuvent être utilisés qu'à l'extérieur et ils sont destinés à un usage grand public uniquement.

Consignes de sécurité concernant ce genre d'appareil



Avertissement ! L'utilisation d'appareil alimentés sur secteur/ sans fil implique le respect de certaines précautions de sécurité élémentaires, dont celles qui suivent, afin de réduire les risques d'incendie, de choc électrique, de blessures et de dégâts matériels.

- ◆ Lisez attentivement l'ensemble de ce manuel avant d'utiliser l'appareil. Familiarisez-vous avec les commandes et l'utilisation correcte de l'appareil.
- ◆ Ce manuel décrit la manière d'utiliser cet appareil. L'utilisation d'un accessoire ou d'un équipement ou l'utilisation de cet appareil à d'autres fins que celles recommandées dans ce manuel d'utilisation peut présenter un risque de blessures.

La notion "d'appareil" mentionnée dans toutes les consignes de sécurité listées ci-dessous se rapporte à des appareils raccordés au secteur (avec câble de raccordement) ou alimentés par batterie (sans fil).

Conservez tous les avertissements et toutes les instructions afin de pouvoir vous y référer dans le futur.

Utiliser votre appareil

- ◆ **Prenez toutes les précautions nécessaires pour utiliser l'appareil.**
- ◆ Maintenez la zone de travail propre et bien éclairée. Les zones sombres ou encombrées sont propices aux accidents.
- ◆ N'utilisez l'appareil que de jour ou avec un bon éclairage artificiel.
- ◆ N'utilisez pas l'appareil dans un environnement présentant des risques d'explosion, ni en présence de liquides, gaz ou poussières inflammables.
- ◆ Ne laissez jamais les enfants ou toute autre personne ne connaissant pas ces instructions, utiliser l'appareil. Des réglementations locales peuvent limiter l'âge de l'opérateur.
- ◆ Ne laissez pas les enfants ou les animaux s'approcher de la zone de travail ou toucher le cordon électrique de l'appareil.
- ◆ Gardez les enfants, les autres personnes à proximité et les animaux éloignés pendant que vous utilisez l'appareil.

Toute distraction peut vous faire perdre le contrôle de l'outil.

- ◆ Cet appareil n'est pas un jouet et il ne doit pas être utilisé comme tel.
- ◆ Ne plongez pas l'appareil dans l'eau.
- ◆ N'ouvrez pas le boîtier. Il n'y a aucune pièce réparable par l'utilisateur à l'intérieur.

Sécurité des personnes

- ◆ Restez vigilant, surveillez ce que vous faites. Faites preuve de bon sens quand vous utilisez un appareil. N'utilisez pas l'appareil si vous êtes fatigué ou sous l'influence de drogue, d'alcool ou de médicaments. Tout moment d'inattention pendant l'utilisation de l'appareil peut entraîner de graves blessures.
- ◆ Portez les équipements de protection individuelle requis et nécessaires. En fonction du travail à effectuer, le port d'équipements de protection tels que des lunettes de protection, un masque anti-poussière, des chaussures de sécurité antidérapantes, un casque ou des protections auditives, réduit le risque de blessures.
- ◆ Empêchez tout démarrage intempestif. Assurez-vous que l'interrupteur est sur la position Arrêt avant de raccorder l'appareil à l'alimentation électrique et/ou au bloc-batterie ou avant de le ramasser ou de le transporter.

Le transport d'appareils avec le doigt sur l'interrupteur ou la mise sous tension d'un appareil dont l'interrupteur est en position Marche sont sources d'accidents.

- ◆ Ne vous penchez pas. Gardez les pieds bien ancrés au sol et conservez votre équilibre en permanence. Vous contrôlerez mieux l'appareil dans des situations inattendues.
- ◆ Portez des vêtements adaptés. Ne portez aucun vêtement ample ou bijou. Gardez vos cheveux, vos vêtements et vos gants éloignés des pièces mobiles. Les vêtements amples, les bijoux ou les cheveux longs peuvent être happés par les pièces mobiles.

Utiliser et entretenir l'appareil

- ◆ Avant utilisation, vérifiez que les pièces de l'appareil sont en bon état. Contrôlez l'absence de pièces cassées, d'interrupteurs endommagés et de toutes autres anomalies susceptibles de nuire au bon fonctionnement de l'appareil.
- ◆ N'utilisez pas l'appareil si l'interrupteur ne permet plus de le mettre en marche ou de l'éteindre. Tout appareil qui ne peut plus être commandé par son interrupteur est dangereux et doit être réparé.
- ◆ Débranchez la prise de courant et/ou retirez le bloc-batterie avant d'effectuer des réglages, de changer les accessoires ou de ranger l'appareil.

Ces mesures de précaution permettent de réduire le risque de mise en marche accidentelle.

- ◆ Le cas échéant, maintenez les organes de coupe aiguisés et propres. Des organes de coupe bien entretenus et affûtés sont moins susceptibles de rester coincés et ils sont plus faciles à contrôler.
- ◆ N'utilisez pas l'appareil si une quelconque pièce est endommagée ou défectueuse.
- ◆ Faites réparer ou remplacer les pièces défectueuses ou endommagées par un réparateur agréé.
- ◆ Ne tentez jamais de retirer ou de remplacer des pièces autres que celles mentionnées dans ce manuel.

Sécurité électrique

- ◆ Les prises de l'appareil doivent être adaptées à la prise de courant. Ne modifiez jamais la prise d'aucune sorte. N'utilisez pas d'adaptateurs de prises avec des appareils reliés à la prise de terre. L'utilisation de prises d'origine et de prises murales appropriées permet de réduire le risque de choc électrique.
- ◆ N'exposez pas l'appareil à la pluie ni à l'humidité. La pénétration d'eau augmente le risque de choc électrique.
- ◆ Ne tirez pas sur le cordon d'alimentation. N'utilisez jamais le câble pour porter, tirer ou débrancher l'appareil.

Maintenez le cordon éloigné de la chaleur, de substances grasses, de bords tranchants ou de pièces mobiles. Les cordons endommagés ou emmêlés augmentent le risque de choc électrique.

- ◆ Pour utiliser l'appareil à l'extérieur, utilisez une rallonge homologuée pour une utilisation à l'extérieur. L'utilisation d'une rallonge électrique homologuée pour les travaux en extérieur réduit le risque de choc électrique.
- ◆ Si l'utilisation d'un appareil dans un endroit humide est inévitable, utilisez une alimentation électrique protégée par un disjoncteur différentiel à courant résiduel (DDR). L'utilisation d'un DDR réduit le risque de choc électrique.

Après l'utilisation

- ◆ Quand il n'est pas utilisé, l'appareil doit être rangé dans un endroit sec, suffisamment aéré et hors de portée des enfants.
- ◆ Les enfants ne doivent pas avoir accès aux appareils rangés.
- ◆ Quand l'appareil est rangé ou transporté dans un véhicule, il doit être installé dans le coffre ou correctement calé pour éviter les mouvements dus aux changements de direction ou de vitesse.

Révision/Réparation

- ◆ Faites réparer votre appareil uniquement par du personnel qualifié et qui n'utilise que des pièces de rechange d'origine.

Cela permet de garantir la sûreté de l'appareil.

Consignes de sécurité supplémentaires liées aux aspirateurs-souffleurs

Ce manuel décrit la manière d'utiliser l'appareil. L'utilisation d'un accessoire ou d'un équipement ou l'utilisation de cet appareil à d'autres fins que celles recommandées dans ce manuel d'instructions peut entraîner des blessures et/ou des dommages matériels.

- ◆ Pour protéger vos pieds et vos jambes quand l'appareil est en marche, portez toujours des chaussures renforcées et un pantalon.
- ◆ N'utilisez pas l'appareil en mode aspiration sans que les tubes de l'aspirateur et le sac de récupération ne soient en place.
- ◆ Éteignez toujours votre produit, laissez le ventilateur s'arrêter et débranchez la prise murale quand/si :
 - ◆ Vous passez du mode Soufflage au mode Aspiration.
 - ◆ Le câble d'alimentation est endommagé ou emmêlé.
 - ◆ Vous laissez l'appareil sans surveillance.
 - ◆ Vous devez supprimer un bouchage.
 - ◆ Vous devez contrôler, régler, nettoyer ou réparer votre appareil.
 - ◆ L'appareil se met à vibrer anormalement.

- ◆ Ne placez pas l'arrivée ou la sortie d'air d'aspiration près de vos yeux ou de vos oreilles quand l'appareil est en marche.
- ◆ Ne soufflez jamais de débris vers les éventuelles personnes à proximité.
- ◆ N'utilisez en aucun cas l'appareil sous la pluie et ne le laissez pas à l'extérieur par temps pluvieux.
- ◆ Ne passez pas au dessus de chemins ou de routes gravillonnés si l'appareil est allumé et en mode soufflage/ aspiration.
- ◆ Marchez toujours, ne courez jamais.
- ◆ Ne reposez pas votre appareil sur les graviers quand il est encore en marche.
- ◆ Faites toujours attention à votre posture, surtout en pente.
- ◆ Ne vous penchez pas et faites en sorte de toujours conserver votre équilibre.
- ◆ N'aspirez pas des éléments qui pourraient être contaminés par des liquides inflammables ou combustibles comme du carburant par exemple ou dans des zones où ces produits pourraient être présents.
- ◆ Ne placez aucun objet dans les ouvertures. N'utilisez jamais l'appareil si les ouvertures sont obstruées – retirez la poussière, les cheveux et les peluches qui pourraient réduire le débit d'air.

Avertissement ! Utilisez toujours cet appareil en respectant les consignes de ce manuel.

Votre appareil doit être utilisé à la verticale pour éviter les risques de blessures. N'utilisez jamais cet appareil à l'envers ou s'il est posé sur le côté.

- ◆ L'utilisateur est responsable des accidents ou des risques subis par autrui ou leurs biens.
- ◆ Ne portez pas l'appareil par le câble.
- ◆ Le câble doit toujours être dirigé vers l'arrière de l'appareil.

Avertissement ! Si un câble est endommagé pendant l'utilisation, débranchez immédiatement l'appareil. Ne touchez surtout pas le câble avant de l'avoir débranché.

- ◆ N'utilisez pas de solvants ou de liquides de nettoyage pour nettoyer votre appareil. Utilisez un racloir souple pour retirer l'herbe et les saletés.
- ◆ Vérifiez régulièrement l'absence de traces d'usure ou de détérioration sur le sac de récupération.
- ◆ Des ventilateurs de rechange sont disponibles auprès de votre prestataire de service agréé BLACK+DECKER. N'utilisez que des pièces de rechange et des accessoires recommandés par BLACK+DECKER.
- ◆ Maintenez toujours tous les écrous, boulons et vis parfaitement serrés afin de garantir le bon état de fonctionnement de l'appareil.

Sécurité des personnes

- ◆ Cet appareil peut être utilisé par des enfants âgés de 8 ans ou plus et par des personnes aux capacités physiques, mentales ou sensorielles déficientes ou qui manquent d'expérience ou de connaissance s'ils sont supervisés ou qu'ils ont été formés à l'utilisation sûre de l'appareil et qu'ils sont conscients des risques potentiels. Ne laissez pas les enfants jouer avec l'appareil. Le nettoyage et la maintenance à réaliser par l'utilisateur ne doivent pas être entrepris par des enfants sans surveillance.
- ◆ Ne laissez jamais les enfants sans surveillance afin d'éviter qu'ils ne jouent avec l'appareil.

Sécurité électrique



Cet appareil est doublement isolé. Par conséquent, aucun fil de mise à la terre n'est nécessaire.

Assurez-vous toujours que l'alimentation électrique correspond à la tension mentionnée sur la plaque signalétique.

- ◆ Si le câble d'alimentation est endommagé, il doit être remplacé par le fabricant ou par un centre d'assistance agréé BLACK+DECKER afin d'éviter tout accident.
- ◆ Utilisez un dispositif différentiel à courant résiduel (DDR) de grande sensibilité, 30 mA, pour améliorer la sécurité électrique.

Utiliser une rallonge

Utilisez toujours une rallonge homologuée et adaptée à la puissance absorbée par cet outil (voir les caractéristiques techniques). La rallonge doit être homologuée pour une utilisation en extérieur et marquée en conséquence. Une rallonge HO5V V-F de 1,5 mm² allant jusqu'à 30 m peut être utilisée sans perte de puissance. Avant utilisation, vérifiez la rallonge et assurez-vous qu'elle est ne présente aucun signe de dommage, d'usure ou de vieillissement. Remplacez la rallonge si elle est endommagée ou défectueuse. Si vous utilisez un enrouleur de câble, déroulez toujours le câble complètement.

Risques résiduels

Certains risques résiduels autres que ceux mentionnés dans les avertissements sur la sécurité peuvent survenir en utilisant l'outil.

Ces risques peuvent survenir si la machine est mal utilisée, en cas d'utilisation prolongée, etc. Malgré le respect des normes de sécurité pertinentes et la présence de dispositifs de sécurité, les risques résiduels suivants ne peuvent être évités. Ils comprennent :

- ◆ Les blessures provoquées par le contact avec des pièces rotatives/mobiles.
- ◆ Les blessures provoquées pendant le remplacement des pièces, des lames ou des accessoires.

- ◆ Les blessures dues à l'utilisation prolongée d'un outil. Lorsque vous utilisez un outil quel qu'il soit pendant de longues périodes, assurez-vous de faire des pauses régulières.
- ◆ La diminution de l'acuité auditive.
- ◆ Les risques pour la santé provoqués par l'inhalation des poussières générées pendant l'utilisation de votre outil (exemple : travail du bois, surtout le chêne, le hêtre et les panneaux en MDF).

Vibrations

La valeur des émissions de vibrations déclarée dans les caractéristiques techniques et la déclaration de conformité a été mesurée conformément à la méthode de test normalisée établie par la norme EN50636 et elle peut être utilisée pour comparer un outil à un autre. La valeur des émissions de vibrations déclarée peut aussi être utilisée pour une évaluation préliminaire à l'exposition.

Avertissement ! En fonction de la manière dont l'outil électrique est utilisé, la valeur des émissions de vibrations réelles pendant l'utilisation de l'outil peut différer de la valeur déclarée. Le niveau des vibrations peut dépasser le niveau déclaré. Quand l'exposition aux vibrations est évaluée afin de déterminer les mesures de sécurité requises par la norme 2002/44/CE pour protéger les personnes utilisant régulièrement des outils électriques, cette estimation doit tenir compte des conditions réelles d'utilisation et de la façon dont l'outil est utilisé.

Il faut également tenir compte de toutes les composantes du cycle de fonctionnement comme la durée pendant laquelle l'outil est arrêté et quand il fonctionne au ralenti, ainsi que la durée du déclenchement.

Étiquettes apposées sur l'appareil

Les pictogrammes suivants ainsi que le code date sont apposés sur l'outil.



Avertissement ! Lisez le manuel avant la mise en marche.



Portez toujours des lunettes de protection pour utiliser cet appareil.



Portez toujours des protections auditives appropriées pour utiliser cet appareil.



N'exposez pas l'appareil à la pluie ou à une forte humidité. Ne le laissez pas dehors par temps pluvieux.



Extinction : retirez la prise du secteur avant de procéder au nettoyage ou à l'entretien.



Débranchez la prise de courant si le cordon est endommagé ou emmêlé.



Faites attention aux projections d'objets.



Gardez à distance les éventuelles personnes à proximité.



Puissance sonore garantie conforme à la Directive 2000/14/CE.

Caractéristiques

Cet appareil présente tout ou partie des caractéristiques suivantes.

1. Interrupteur Marche/Arrêt - Contrôle de la vitesse
2. Poignée avant
3. Poignée arrière
4. Bloc-moteur
5. Tube d'aspiration supérieur
6. Tube d'aspiration inférieur
7. Tube de soufflage supérieur
8. Tube de soufflage inférieur
9. Concentrateur
10. Sac de récupération
11. Raccord pour le sac

Utiliser votre appareil

Avertissement ! Portez toujours des lunettes de protection pour les travaux de soufflage et d'aspiration. Pour les travaux dégageant de la poussière, portez aussi un masque.

Avertissement ! Éteignez toujours l'appareil, laissez le ventilateur s'arrêter et débranchez la prise avant d'effectuer toute opération de réglage, de réparation ou de maintenance.

Assemblage



Avertissement ! Avant l'assemblage, assurez-vous que l'appareil est éteint et débranché.



Avertissement ! Portez toujours des gants de protection quand vous intervenez avec et sur votre aspirateur-souffleur.

Assembler le tube d'aspiration (Fig. A)

Les tubes d'aspiration doivent être assemblés les uns aux autres avant l'utilisation.

Avertissement ! N'utilisez pas l'appareil si les tubes ne sont pas assemblés.

- ◆ Pour faciliter l'assemblage, appliquez une solution d'eau savonneuse sur les raccords.
- ◆ Alignez les encoches (5a) et les renforcements (6a) des tubes d'aspiration supérieur (5) et inférieur (6).
- ◆ Poussez fermement le tube d'aspiration inférieur (6) dans le tube d'aspirateur supérieur (5) jusqu'à ce qu'ils s'enclenchent en place.

Avertissement ! Ne séparez pas les tubes une fois assemblés.

Mode Aspiration (Fig. B, C, D, E, F, G, H, I, J, K, L, M)

- ◆ Pivotez le carter de protection du ventilateur dans le sens inverse des aiguilles d'une montre, comme illustré par la figure B.
- ◆ Insérez la tige (14) (fournie) dans le mécanisme de libération du carter du ventilateur (13) et poussez vers le haut pour libérer l'ensemble carter de protection du ventilateur (12), comme illustré par la figure C.
- ◆ Lâchez le carter de protection du ventilateur (12) vers l'avant, comme illustré par la figure B.
- ◆ Insérez le tube d'aspiration assemblé (5) dans le renforcement à disposition sur le bloc-moteur (4), comme illustré par la figure E.
- ◆ Faites pivoter le tube d'aspiration assemblé dans le sens des aiguilles d'une montre de façon que la baïonnette de fixation se verrouille en place, comme illustré par la figure E.
- ◆ Insérez le sac de récupération (11) dans le raccord du bloc-moteur (11a), comme illustré par la figure F.
- ◆ Positionnez les sangles du sac de récupération (10) sur vos épaules (Fig. G) pour mieux supporter le poids supplémentaire, au fur et à mesure que le sac se remplit.
- ◆ Positionnez le tube d'aspiration légèrement au-dessus des débris/feuilles. Mettez l'appareil en marche en poussant l'interrupteur Marche/Arrêt (1) vers le haut (encart Fig. H) et effectuez un mouvement de balayage. Les débris/feuilles sont aspirés dans le tuyau et expédiés dans le sac de récupération (10) (Fig. H).
- ◆ Au fur et à mesure du remplissage du sac, la puissance de l'aspiration faiblit. Arrêtez l'appareil et débranchez-le de la prise murale.
- ◆ Déverrouillez le loquet (10a) sur le sac de récupération dorsal (Fig. I).
- ◆ Dépliez l'ouverture du sac de récupération dorsal (Fig. J).
- ◆ Ouvrez le sac de récupération dorsal (Fig. K) et videz son contenu.
- ◆ Pour refermer le sac de récupération de façon étanche, rapprochez les barres souples et enroulez-les 2 à 3 fois (Fig. L).
- ◆ Attachez le clip de retenu (10a), comme illustré par la figure M.

Avertissement ! Ne retirez jamais le sac sans avoir éteint et débrancher l'appareil.

Remarque : Si la puissance d'aspiration diminue et que le sac n'est pas plein, il est probable que le tube d'aspiration soit bouché par des débris. Éteignez et débranchez l'appareil, puis nettoyez le tube avant de continuer.

- ◆ Un fois terminé, faites pivoter le tube d'aspiration assemblé dans le sens inverse des aiguilles d'une montre pour libérer la baïonnette de fixation. Insérez la tige (14) dans le dispositif de libération du carter de protection du ventilateur (13) et poussez vers le haut pour libérer le tube d'aspiration. Retirez le tube d'aspiration complet du bloc-moteur, comme illustré par la figure N.
- ◆ Réinstallez le carter de protection du ventilateur, comme illustré par la figure O.

- ◆ Pivotez le carter de protection du ventilateur dans le sens des aiguilles d'une montre, comme illustré par la figure P.

Mode Soufflage (Fig. Q, R, S, T)

- ◆ Assemblez le tube de soufflage supérieur (7) le tube de soufflage inférieur (8) et le concentrateur (9) (facultatif), comme illustré par la figure Q.
- ◆ Poussez le tube de soufflage complet dans la sortie d'aspiration (11a) jusqu'à ce que l'attache soit fermement engagée dans le tube de soufflage, comme illustré par la figure R.

Avertissement ! N'utilisez jamais le mode Soufflage sans que le tube de soufflage ne soit correctement installé.

- ◆ Tenez le tube de soufflage à environ 180 mm au-dessus du sol, allumez l'appareil et avancez lentement en balayant d'un côté à l'autre et en gardant les feuilles/débris devant vous (Fig. S).
- ◆ Après avoir soufflé les débris/feuilles en une pile, vous pouvez retirer le tube de soufflage complet en insérant la tige (14) dans l'ouverture sur la tête d'aspiration et en poussant vers le bas pour libérer l'attache, comme illustré par la figure T.
- ◆ Vous pouvez alors passer l'appareil en mode Aspiration pour aspirer les débris.

Dépannage

Problème	Solution possible
Fonctionnement impossible	Vérifiez le branchement à l'alimentation électrique
	Vérifiez le fusible de la prise. S'il est grillé, remplacez-le (Royaume-Uni uniquement).
	Vérifiez si le tube d'aspiration/soufflage est correctement raccordé au bloc-moteur.
	Si le fusible continue de griller – débranchez immédiatement l'appareil de la prise murale et consultez votre réparateur BLACK+DECKER local agréé.
Faible aspiration/bruit strident	Arrêtez l'appareil – débranchez-le de la prise murale, des débris devraient tomber du tuyau.
	Retirez le sac de récupération et videz-le.
	Vérifiez que l'entrée et la sortie du tube sont dégagées.
	Retirez les débris autour du ventilateur.
	Si l'aspiration reste inefficace – débranchez immédiatement l'appareil de la prise murale et consultez votre réparateur BLACK+DECKER agréé

Maintenance

Votre appareil BLACK+DECKER a été conçu pour fonctionner pendant longtemps avec un minimum d'entretien.

Le fonctionnement continu et satisfaisant de l'appareil dépend d'un entretien adéquat et d'un nettoyage régulier.

- ◆ Gardez l'appareil propre et sec.
- ◆ Retirez les feuilles collées à l'intérieur du tube d'aspiration.
- ◆ Nettoyez régulièrement les orifices d'aération à l'aide d'un pinceau propre et sec.
- ◆ Nettoyez régulièrement le sac d'aspiration et assurez-vous qu'il est toujours propre et vide après chaque utilisation.
- ◆ Pour nettoyer l'appareil, n'utilisez que du savon doux et un chiffon humide. Ne laissez jamais aucun liquide pénétrer à l'intérieur de l'outil et ne plongez aucune de ses pièces dans aucun liquide. N'utilisez pas de détergents abrasifs ou à base de solvants.
- ◆ Cet appareil intègre des roulements auto-lubrifiés, aucun graissage n'est donc nécessaire.

Remplacer la prise secteur (RU et Irlande uniquement)

Si une nouvelle prise secteur doit être installée :

- ◆ Déposez et jetez l'ancienne prise de façon appropriée.
- ◆ Raccordez le fil marron à la borne de phase de la nouvelle prise.
- ◆ Raccordez le fil bleu à la borne du neutre.

Avertissement ! Aucun branchement ne doit être fait à la borne de terre.

Suivez les instructions d'installation fournies avec les prises de bonne qualité.

Fusible recommandé : 13 A.

Protection de l'environnement



Tri sélectif. Les produits et batteries marqués de ce symbole ne doivent pas être jetés avec les déchets ménagers.

Les produits et batteries contiennent des matières qui peuvent être récupérées et recyclées afin de réduire la demande en matières premières.

Veillez à recycler les produits électriques et les piles et batteries conformément aux prescriptions locales en vigueur. Pour plus d'informations, consultez le site www.2helpU.com

Caractéristiques techniques

		BEBLV290	BEBLV300
Tension d'entrée	V _{ca}	230	230
Puissance absorbée	W	2900	3000
Capacité	L	55	72
Poids (souffleur)	kg	3,6	3,6
Poids (aspirateur)	kg	4,4	4,4

FRANÇAIS

(Traduction des instructions initiales)

Niveau de pression sonore selon la norme EN 50636-2-100
Niveau de pression sonore à l'endroit de l'utilisateur : (L_{pA}) 90,0 dB(A), incertitude (K) 1,2 dB(A)
Niveau de puissance sonore (L_{WA}) 102,5 dB(A), incertitude (K) 1,1 dB(A)
Valeurs totales des vibrations (somme vectorielle triaxiale) selon la norme EN 50636-2-100
Vibration (a_w) 3,0 m/s ² , incertitude (K) 1,8 m/s ²

Déclaration de conformité CE

DIRECTIVES MACHINES
DIRECTIVE RELATIVE AUX NUISANCES SONORES
EXTÉRIEURES



BEBLV290, BEBLV300 - Aspirateur/Souffleur

Black & Decker déclare que les produits décrits dans les

"Caractéristiques techniques" sont conformes aux normes :
2006/42/CE, EN60335-1:2012+A11:2014;
EN50636-2-100:2014

2000/14/CE, Aspirateur-souffleur, Annexe V
DEKRA Quality B.V., Utrechtseweg 310, 6802 ED Arnhem,
Numéro d'identification de l'organisme mandaté aux Pays-Bas
: 0344

Niveau de puissance sonore selon la norme 2000/14/CE
(Article 13, Annexe III) :

Niveau de puissance sonore : L_{WA} : 102,5 dB(A); $K=1,1$ dB(A)
Le niveau de puissance acoustique garanti : L_{WA} : 104 dB(A)

Ces produits sont également conformes aux Directives
2014/30/UE et 2011/65/UE. Pour plus de détails, veuillez
contacter Black & Decker à l'adresse suivante ou consultez la
dernière page du manuel.

Le soussigné est responsable de la compilation du fichier
technique et fait cette déclaration au nom de
Black & Decker

Patrick Diepenbach

Patrick Diepenbach
General Manager, Benelux
Black and Decker,
Egide Walschaertsstraat 14-18
2800 Mechelen, Belgique
24/11/2021

Garantie

Black & Decker est sûr de la qualité de ses produits et offre une garantie de 24 mois aux utilisateurs, à partir de la date d'achat. Cette garantie s'ajoute à vos droits légaux auxquels elle ne porte aucunement préjudice. Cette garantie est valable au sein des territoires des États membres de l'Union Européenne et au sein de la Zone européenne de libre-échange.

Pour prétendre à la garantie, la réclamation doit être en conformité avec les conditions générales de Black & Decker et vous devez fournir une preuve d'achat au vendeur ou au réparateur agréé.

Les conditions générales de la garantie de 2 ans Black&Decker ainsi que l'adresse du réparateur agréé le plus proche sont disponibles sur le site Internet www.2helpU.com ou en contactant votre agence Black & Decker locale à l'adresse indiquée dans ce manuel.

Veillez consulter notre site Internet www.blackanddecker.co.uk pour enregistrer votre nouveau produit Black & Decker et pour être tenu informé des nouveaux produits et offres spéciales.

(Traduzione del testo originale)

ITALIANO

Uso previsto

I modelli di soffiatore aspiratore BEBLV290 e BEBLV300 BLACK+DECKER™ sono stati progettati per la rimozione di foglie. Questi elettrodomestici sono concepiti esclusivamente per uso domestico all'esterno.

Avvertenze di sicurezza generiche per gli elettrodomestici



Avvertenza! Quando si usano utensili alimentati elettricamente, con o senza filo, osservare sempre le normali precauzioni di sicurezza per ridurre il rischio di incendio, scossa elettrica, lesioni alle persone e danni materiali.

- ◆ Leggere attentamente il presente manuale prima di utilizzare l'elettrodomestico; imparare bene i comandi e come usare in modo appropriato l'elettrodomestico.
- ◆ L'uso previsto è descritto in questo manuale.

Se questo elettroutensile viene utilizzato con accessori o per impieghi diversi da quelli raccomandati in questo manuale, si potrebbero verificare lesioni a persone.

Il termine "elettroutensile" che ricorre in tutte le avvertenze seguenti si riferisce a utensili elettrici alimentati tramite la rete elettrica (con filo) o alimentati a batteria (senza filo).

Conservare tutte le avvertenze e le istruzioni per consultazioni successive.

Impiego dell'elettroutensile

- ◆ **Prestare sempre attenzione quando si usa l'elettroutensile.**
- ◆ Tenere pulita e ben illuminata l'area di lavoro. Gli ambienti disordinati o scarsamente illuminati favoriscono gli incidenti.
- ◆ Usare l'elettroutensile solo alla luce del giorno o con una buona luce artificiale.
- ◆ Evitare d'impiegare questo elettroutensile in ambienti esposti al rischio di esplosione, ad esempio in presenza di liquidi, gas o polveri infiammabili.
- ◆ Vietare l'uso dell'elettroutensile a bambini o adulti che non abbiano letto il presente manuale; i regolamenti locali in vigore potrebbero limitare l'età dell'utilizzatore.
- ◆ Vietare a bambini o animali di avvicinarsi all'area di lavoro o di toccare l'elettroutensile o il cavo di alimentazione.

- ◆ Mantenere lontani bambini e altre persone presenti mentre si usa l'elettroutensile. Eventuali distrazioni possono provocare la perdita di controllo dello stesso.
- ◆ Questo elettroutensile non deve essere usato come un giocattolo.
- ◆ Non immergere l'elettroutensile in acqua.
- ◆ Non aprire il corpo dell'elettroutensile. All'interno non sono presenti parti riparabili dall'utilizzatore.

Sicurezza delle persone

- ◆ È importante concentrarsi su ciò che si sta facendo e maneggiare con giudizio un elettroutensile. Non adoperare l'elettroutensile se si è stanchi o sotto l'effetto di stupefacenti, alcol o medicinali. Un attimo di distrazione durante l'impiego dell'elettroutensile può causare gravi lesioni personali.
- ◆ Se necessario, utilizzare un dispositivo di protezione individuale. Se si avrà cura d'indossare il dispositivo di protezione necessario, quali ad esempio occhiali protettivi, una maschera antipolvere, calzature antiscivolo, un casco o delle protezioni acustiche, si ridurrà il rischio di infortuni.
- ◆ Impedire l'avviamento involontario. Accertarsi che l'interruttore di accensione sia in posizione "off" (spento), prima di collegare l'elettroutensile all'alimentazione elettrica e/o alla batteria, di prenderlo in mano o di trasportarlo.

Per non esporsi al rischio di incidenti, non trasportare l'elettrotensile tenendo le dita sull'interruttore oppure se è collegato a una fonte di alimentazione elettrica, con l'interruttore acceso.

- ◆ Non sporgersi troppo. Mantenere sempre un appoggio e un equilibrio adeguati. In questo modo è possibile controllare meglio l'elettrotensile in situazioni inattese.
- ◆ Vestirsi adeguatamente. Non indossare abiti larghi o gioielli. Tenere i capelli, gli indumenti e i guanti lontano dalle parti mobili. Indumenti larghi, gioielli o capelli lunghi possono impigliarsi nelle parti in movimento.

Utilizzo e cura dell'elettrotensile

- ◆ Prima dell'uso, verificare che l'elettrotensile non sia danneggiato e non presenti parti difettose. Controllare che non siano presenti parti rotte, interruttori danneggiati o altre condizioni che potrebbero incidere sul suo funzionamento.
- ◆ Non usare l'elettrotensile se l'interruttore di accensione/ spegnimento non funziona correttamente. Un elettrotensile che non può essere controllato mediante l'interruttore è pericoloso e deve essere riparato.
- ◆ Scollegare la spina dalla presa di corrente e/o la batteria dall'elettrotensile prima di regolarlo o di ripararlo oppure di sostituire gli accessori.

Queste precauzioni riducono la possibilità che l'elettrotensile venga messo in funzione accidentalmente.

- ◆ Se pertinente, mantenere affilati e puliti gli utensili da taglio. La manutenzione corretta degli utensili da taglio con bordi affilati riduce le probabilità di inceppamento e ne facilita il controllo.
- ◆ Non usare l'elettrotensile se alcune parti sono danneggiate o difettose.
- ◆ Fare riparare o sostituire le parti danneggiate o difettose da un tecnico autorizzato.
- ◆ Non tentare di smontare o sostituire alcuna parte, ad eccezione di quelle specificate in questo manuale.

Sicurezza elettrica

- ◆ Le spine elettriche dell'elettrotensile devono essere adatte alle prese di corrente. Non modificare la spina in alcun modo. Non usare adattatori con elettrotensili provvisti di messa a terra. Per ridurre il rischio di scossa elettrica evitare di modificare le spine e utilizzare sempre le prese di corrente appropriate.
- ◆ Non esporre l'elettrotensile alla pioggia o all'umidità. L'eventuale infiltrazione di acqua in un elettrotensile aumenta il rischio di scossa elettrica.
- ◆ Non utilizzare il cavo di alimentazione in modo improprio.

Non usare il cavo per trasportare o trainare l'elettrotensile e non tirarlo per estrarre la spina dalla presa di corrente. Tenere il cavo di alimentazione lontano da fonti di calore, olio, bordi taglienti o parti in movimento. Se il cavo è danneggiato o impigliato, il rischio di scossa elettrica aumenta.

- ◆ Se l'elettrotensile viene adoperato all'aperto, usare esclusivamente prolunghe omologate per l'impiego all'esterno. L'uso di un cavo di alimentazione adatto per esterni riduce il rischio di scossa elettrica.
- ◆ Se non è possibile evitare di lavorare con l'elettrotensile in una zona umida, collegarsi a una rete elettrica protetta da un interruttore differenziale (RCD). L'uso di un interruttore differenziale riduce il rischio di scossa elettrica.

Dopo l'uso

- ◆ Quando non viene usato, l'elettrotensile deve essere custodito in un luogo asciutto e ben ventilato, fuori dalla portata dei bambini.
- ◆ L'elettrotensile non deve essere riposto alla portata dei bambini.
- ◆ Se viene conservato o trasportato a bordo di un veicolo, l'elettrotensile deve essere riposto nel bagagliaio o legato per evitare che si sposti in caso di cambiamento repentino della velocità o della direzione di marcia.

Assistenza

- ◆ Fare riparare l'elettrotensile solo ed esclusivamente da personale specializzato e usando solamente ricambi originali. In questo modo si evita di alterare la sicurezza dell'elettrotensile.

Istruzioni di sicurezza aggiuntive per i soffiatori-aspiratori

L'uso previsto è descritto nel presente manuale. L'uso di questo elettrotensile con accessori o altre parti montate oppure per scopi diversi da quelli raccomandati nel presente manuale, potrebbe essere causa di lesioni personali e/o danni materiali.

- ◆ Per proteggere piedi e gambe durante l'impiego dell'elettrotensile indossare sempre calzature da lavoro robuste e pantaloni lunghi.
- ◆ Non usare l'elettrotensile nella modalità di aspirazione senza aver montato i tubi di aspirazione e il sacco di raccolta.
- ◆ Spegnerne sempre l'elettrotensile, lasciare che la ventola smetta di girare e scollegare la spina dalla presa di corrente nei seguenti casi:
 - ◆ si passa dalla modalità di soffiatura a quella di aspirazione;
 - ◆ se il cavo di alimentazione ha subito danni o è attorcigliato;
 - ◆ quando si lascia l'elettrotensile incustodito;

- ◆ se si deve eliminare un'ostruzione;
- ◆ quando si eseguono controlli, regolazioni, interventi di pulitura o manutenzione sull'elettrostrumento;
- ◆ se l'elettrostrumento comincia a vibrare in modo anomalo.
- ◆ Non appoggiare la bocchetta dell'aria in ingresso o in uscita del soffiatore vicino agli occhi o alle orecchie durante l'uso.
- ◆ Non soffiare mai detriti verso altre persone.
- ◆ Non usare l'elettrostrumento sotto la pioggia e non lasciarlo all'aperto quando piove.
- ◆ Non attraversare sentieri o strade coperti di ghiaia quando l'elettrostrumento è acceso nella modalità di soffiatura/aspirazione.
- ◆ Camminare, non correre.
- ◆ Non appoggiare l'elettrostrumento sulla ghiaia mentre è acceso.
- ◆ Mantenersi sempre saldi sui piedi, in modo particolare sui pendii.
- ◆ Mantenersi sempre saldi sui piedi e bene equilibrati, evitando di sporgersi.
- ◆ Non aspirare sostanze che possono essere state contaminate da liquidi infiammabili o combustibili, come la benzina e non usare l'elettrostrumento in aree dove tali sostanze potrebbero essere presenti.
- ◆ Non inserire oggetti nelle aperture nell'elettrostrumento. Non usarlo mai se le aperture sono bloccate – mantenerlo libero da capelli, lanugine, polvere e da tutto ciò che possa limitare il passaggio dell'aria.

Avvertenza! Usare sempre l'elettrostrumento come descritto nel presente manuale.

Il prodotto è stato progettato per essere usato in verticale e, se lo si utilizza in modo diverso, potrebbero verificarsi lesioni a persone. Non fare mai funzionare l'elettrostrumento quando è appoggiato su un fianco o è capovolto.

- ◆ L'utilizzatore è responsabile di eventuali rischi o incidenti che coinvolgono terzi o cose di loro proprietà.
- ◆ Non trasportare l'elettrostrumento dal cavo.
- ◆ Tenere sempre il cavo dietro di sé, lontano dall'elettrostrumento.

Avvertenza! Se il cavo di alimentazione subisce danni durante l'uso, scollegarlo immediatamente dalla presa di corrente. Non toccare il cavo di alimentazione prima di scollegarlo dalla presa di corrente.


- ◆ Non usare solventi o detersivi liquidi per pulire l'elettrostrumento. Usare un raschietto non appuntito per eliminare erba e sporcizia.
- ◆ Controllare di frequente il sacco di raccolta per vedere che non sia usurato o rovinato.
- ◆ Le ventole di ricambio sono reperibili presso qualsiasi rivenditore autorizzato BLACK+DECKER. Usare solo ricambi e accessori raccomandati da BLACK+DECKER.

- ◆ Mantenere sempre ben saldi dadi, bulloni e viti per garantire che l'elettrotensile funzioni in modo sicuro.

Sicurezza altrui

- ◆ Questo elettrotensile può essere usato da bambini dagli 8 anni in su e da persone portatrici di handicap fisici, psichici o sensoriali o che non possiedono la dovuta esperienza o conoscenza, purché siano seguiti o opportunamente istruiti sull'uso sicuro e comprendano i pericoli inerenti. Non lasciare che i bambini giochino con l'elettrotensile. Gli interventi di pulizia e manutenzione da parte dell'utilizzatore non devono essere eseguiti da bambini senza supervisione.
- ◆ Sorvegliare i bambini per assicurarsi che non giochino con l'elettrotensile.

Sicurezza elettrica

 Il doppio isolamento di cui è provvisto l'elettrotensile rende superfluo il filo di terra.

Assicurarsi che la tensione della rete di alimentazione corrisponda al valore indicato sulla targhetta dei valori nominali.

- ◆ In caso di danneggiamento del cavo di alimentazione, farlo riparare dal produttore o presso un Centro di assistenza BLACK+DECKER autorizzato, in modo da evitare pericoli.

- ◆ a sicurezza elettrica può essere ulteriormente aumentata utilizzando un dispositivo a corrente residua (RCD) ad alta sensibilità (30 mA).

Utilizzo di un cavo di prolunga

Usare sempre un cavo di prolunga di tipo omologato, idoneo all'assorbimento di corrente di questo elettrotensile (vedere i Dati tecnici). Il cavo di prolunga deve essere idoneo per l'impiego all'esterno e deve essere opportunamente contrassegnato. È possibile usare un cavo di prolunga lungo fino a 30 m con diametro di 1.5 mm² HO5V V-F senza perdita alcuna di prestazioni dell'elettrotensile. Prima dell'impiego, ispezionare il cavo di prolunga per accertarsi che non presenti segni di danneggiamento, usura o invecchiamento. Sostituire il cavo di prolunga se è danneggiato o difettoso. Se si utilizza un avvolgitore, estrarre il cavo per l'intera lunghezza.

Rischi residui

L'utilizzo dell'elettrotensile può comportare rischi residui non necessariamente riportati nelle presenti avvertenze di sicurezza.

Tali rischi possono sorgere a causa di un uso prolungato o improprio, ecc. Malgrado l'osservanza dei relativi regolamenti di sicurezza e l'impiego dei dispositivi di sicurezza, determinati rischi residui non possono essere evitati. Sono inclusi:

- ◆ lesioni causate o subite a seguito del contatto con parti rotanti/in movimento;
- ◆ lesioni causate o subite durante la sostituzione di parti, lame o accessori;
- ◆ lesioni causate dall'impiego prolungato di un elettrotensile (quando si utilizza qualsiasi apparecchio per lunghi periodi, accertarsi di fare regolarmente delle pause);
- ◆ menomazioni uditive;
- ◆ rischi per la salute causati dall'aspirazione di polvere generata dall'utilizzo dell'apparecchio (ad esempio, quando si lavora con il legno, in modo particolare quello di quercia, faggio o l'MDF).

Vibrazioni

I valori dichiarati delle emissioni di vibrazioni, indicati nei dati tecnici e nella dichiarazione di conformità del presente manuale, sono stati misurati in base al metodo di test standard previsto dalla normativa EN50636 e possono essere usati come paragone tra un attrezzo e un altro. Il valore delle emissioni di vibrazioni dichiarato può anche essere usato come valutazione preliminare dell'esposizione.

Avvertenza! Il valore delle emissioni di vibrazioni durante l'impiego effettivo dell'elettrotensile può variare da quello dichiarato a seconda delle modalità d'uso. Il livello delle vibrazioni può aumentare oltre quello dichiarato.

Quando si valuta l'esposizione alle vibrazioni per determinare le misure di sicurezza richieste dalla normativa 2002/44/CE destinata alla protezione delle persone che utilizzano regolarmente elettrotensili per lo svolgimento delle proprie mansioni, è necessario prendere in considerazione le condizioni effettive di utilizzo e il modo in cui l'elettrotensile viene usato, oltre che tenere conto di tutte le componenti del ciclo operativo, vale a dire i periodi in cui l'elettrotensile rimane spento, quelli in cui è acceso ma fermo e quelli in cui viene effettivamente utilizzato.

Etichette sull'elettrotensile

Sull'elettrotensile compaiono i seguenti pittogrammi, insieme al codice data.



Avvertenza! Prima dell'uso leggere il manuale.



Indossare occhiali di sicurezza quando si usa l'elettrotensile.



Indossare otoprotezioni idonee quando si usa l'elettrotensile.



Non esporre l'elettrotensile alla pioggia o a un'umidità intensa e non lasciarlo all'aperto quando piove.



Scollegare la spina dalla presa di corrente prima di eseguire la pulitura o la manutenzione.



Scollegare la spina dalla presa di corrente se il cavo di alimentazione ha subito danni o è attorcigliato.



Fare attenzione agli oggetti lanciati in aria.



Mantenere le persone presenti a debita distanza.



Livello di pressione acustica garantito ai sensi della Direttiva 2000/14/CE.

Caratteristiche

Questo elettrotensile presenta alcune o tutte le seguenti caratteristiche.

1. Interruttore di accensione/spengimento - controllo della velocità
2. Impugnatura anteriore
3. Impugnatura posteriore
4. Corpo motore
5. Tubo di aspirazione - sezione superiore
6. Tubo di aspirazione- sezione inferiore
7. Tubo di soffiaggio - sezione superiore
8. Tubo di soffiaggio - sezione inferiore
9. Concentratore
10. Sacco di raccolta
11. Connettore del sacco di raccolta

Utilizzo dell'elettrotensile

Avvertenza! Indossare sempre occhiali di protezione quando si usa l'elettrotensile come soffiatore o aspiratore. In caso di impiego in ambienti polverosi, indossare anche una maschera.

Avvertenza! Spegner l'apparecchio, lasciare che la ventola si fermi e scollegare la spina dalla presa di corrente prima di eseguire regolazioni o interventi di manutenzione o riparazione.

Assemblaggio



Avvertenza! Prima di montare l'elettrotensile assicurarsi che l'elettrotensile sia spento e disinserito.



Avvertenza! Indossare sempre guanti protettivi quando si lavora sul soffiatore/aspiratore.

Assemblaggio del tubo di aspirazione (Fig. A)

Le due sezioni del tubo di aspirazione devono essere unite prima dell'uso.

Avvertenza! Non far funzionare l'elettrotensile con i tubi di aspirazione separati.

- ◆ Per facilitare l'assemblaggio, inumidire con acqua insaponata l'area di giunzione.
- ◆ Allineare le tacche (5a) e i triangoli (6a) sulle sezioni del tubo di aspirazione superiore (5) e inferiore (6).

- ◆ Premere con forza la sezione inferiore del tubo di aspirazione (6) su quella superiore (5) fino a quando le linguette si agganciano in sede.

Avvertenza! Non dividere le due sezioni del tubo dopo averle assemblate.

Modalità di aspirazione (Figg. B, C, D, E, F, G, H, I, J, K, L, M)

- ◆ Ruotare la protezione della ventola in senso antiorario, come illustrato nella Fig. B.
 - ◆ Inserire la barra (14) (in dotazione) nel foro di sgancio della protezione della ventola (13) e spingere in su per sganciare la protezione della ventola (12), come illustrato nella Figura C.
 - ◆ Rimuovere la protezione della ventola (12) lasciandola cadere in avanti, come illustrato nella Figura D.
 - ◆ Inserire il tubo di aspirazione assemblato (5) nell'apposito attacco sul corpo motore (4), come mostrato nella figura E.
 - ◆ Ruotare il tubo di aspirazione in senso orario in modo che il connettore a baionetta si blocchi in posizione, come illustrato nella Figura E.
 - ◆ Inserire il connettore del sacco di raccolta (11) nell'attacco sul corpo motore (11a) come mostrato nella Figura F.
 - ◆ Infilare la tracolla del sacco di raccolta (10) sopra la spalla (Fig. G) per sostenere meglio il peso supplementare del sacco man mano che si riempie.
 - ◆ Tenere il tubo di aspirazione appena sopra i detriti/fogliame. Accendere l'elettrotensile premendo l'interruttore di accensione/spengimento (1) (inserito Fig. H) e procedere con un movimento largo; i detriti/le foglie saranno aspirati dal tubo e convogliati nel sacco di raccolta (10) (Fig. H).
 - ◆ Quando il sacco di raccolta si riempie, la potenza aspirante diminuisce. Spegner l'elettrotensile e scollegarlo dalla rete di alimentazione.
 - ◆ Sganciare il fermo (10a) sul sacco di raccolta a zaino (Fig. I).
 - ◆ Distendere l'apertura del sacco di raccolta a zaino (Fig. J).
 - ◆ Aprire il sacco di raccolta a zaino (Fig K) e svuotarlo.
 - ◆ Per sigillare il sacco di raccolta, unire insieme le barre flessibili e arrotolarle 2-3 volte (Fig L).
 - ◆ Chiudere la fibbia (10a), come illustrato nella Figura M.
- Avvertenza!** Non rimuovere mai il sacco di raccolta senza aver prima spento l'elettrotensile e senza aver scollegato la spina.
- Nota:** se la forza aspirante diminuisce e il sacco di raccolta non è pieno, è possibile che il tubo di aspirazione sia ostruito da detriti. Spegner l'aspiratore, scollegare la spina ed eliminare l'intasamento dal tubo prima di continuare.
- ◆ Al termine del lavoro ruotare il tubo di aspirazione assemblato in senso antiorario per sganciare il connettore a baionetta.

Inserire la barra (14) nel foro di sgancio della protezione della ventola (13) e spingere in su per sganciare il tubo di aspirazione assemblato. Rimuovere il tubo di aspirazione assemblato dal corpo motore, come illustrato nella Figura N.

- ◆ Riposizionare la protezione della ventola, come illustrato nella Figura O.
- ◆ Ruotare la protezione della ventola in senso orario, come illustrato nella Figura P.

Modalità di soffiaggio (Figg. Q, R, S, T)

- ◆ Assemblare la sezione superiore (7) e la sezione inferiore (8) del tubo di soffiaggio e il concentratore opzionale (9), come illustrato nella Figura Q.
- ◆ Calzare il tubo di soffiaggio assemblato sullo scarico dell'aspiratore (11a) fino a quando la chiusura si innesta saldamente nel tubo di soffiaggio, come illustrato nella Figura R.

Avvertenza! Non attivare la modalità di soffiaggio senza aver montato saldamente il tubo di soffiaggio.

- ◆ Tenere il tubo di soffiaggio a 180 mm circa dal terreno, accendere l'elettrotensile e, con un movimento ampio da un lato all'altro, procedere lentamente tenendo i detriti/fogliame raccolti di fronte a sé (Fig. S).
- ◆ Dopo avere soffiato detriti e foglie formando un mucchio è possibile rimuovere il tubo di soffiaggio completo inserendo la barra (14) nell'apposito foro sul corpo macchina e spingendo in giù per sganciare il blocco, come illustrato nella Figura T.
- ◆ A questo punto è possibile passare alla modalità di aspirazione e raccogliere i detriti.

Ricerca e risoluzione guasti

Problema	Possibile soluzione
Mancato funzionamento	Controllare il collegamento all'alimentazione elettrica.
	Controllare il fusibile nella spina; se è bruciato, sostituirlo (solo UK).
	Controllare che il tubo di soffiaggio/aspirazione sia montato correttamente sul corpo motore.
	Se il fusibile continua a bruciarsi, scollegare immediatamente l'elettrotensile dall'alimentazione di rete e consultare il tecnico riparatore autorizzato BLACK+DECKER di zona.

Aspirazione scadente/ suono acuto	Spegner e scollegare dall'alimentazione di rete, i detriti dovrebbero cadere fuori dal tubo.
	Staccare e svuotare il sacco di raccolta.
	Controllare che sia i fori di aspirazione sia di scarico del tubo di aspirazione siano liberi.
	Eliminare ogni detrito dalla zona della ventola.
	Se l'aspirazione continua a essere scadente, scollegare immediatamente l'elettrotensile dalla rete di alimentazione e consultare il tecnico autorizzato BLACK+DECKER di zona.

Manutenzione

L'elettrotensile BLACK+DECKER è stato concepito per funzionare per un lungo periodo con un minimo di manutenzione.

Per prestazioni sempre soddisfacenti sono necessarie una cura appropriata e una pulizia regolare dell'elettrotensile.

- ◆ Mantenere pulito e asciutto l'elettrotensile.
- ◆ Eliminare le foglie bloccate all'interno del tubo di aspirazione.
- ◆ Pulire regolarmente le feritoie di ventilazione con un pennello pulito e asciutto.
- ◆ Pulire regolarmente il sacco di raccolta della polvere e controllare che sia pulito e vuoto dopo ciascun impiego.
- ◆ Per pulire l'elettrotensile, usare solo sapone neutro e un panno umido. Evitare la penetrazione di liquidi all'interno dell'elettrotensile e non immergere mai nessuna parte dello stesso in un liquido. Non usare materiali abrasivi o detersivi a base di solventi.
- ◆ In questo elettrotensile sono stati usati dei cuscinetti autolubrificanti che non richiedono lubrificazione.

Sostituzione della spina (solo Regno Unito e Irlanda)

Se dovesse essere necessario installare una nuova spina:

- ◆ smaltire in sicurezza quella vecchia;
- ◆ collegare il filo marrone al morsetto sotto tensione della nuova spina;
- ◆ collegare il filo blu al morsetto neutro.

Avvertenza! Non deve essere effettuato alcun collegamento al terminale di messa a terra.

Seguire le istruzioni di montaggio fornite con le spine di buona qualità.

Fusibile raccomandato: 13 A.

Protezione dell'ambiente



Raccolta differenziata. I prodotti e le batterie contrassegnati con questo simbolo non devono essere smaltiti con i rifiuti domestici normali.

Prodotti e batterie contengono materiali che possono essere recuperati o riciclati, riducendo la richiesta di materie prime. Riciclare i prodotti elettrici e le batterie attenendosi alle disposizioni locali vigenti. Ulteriori informazioni sono disponibili all'indirizzo www.2helpU.com.

Dati tecnici

		BEBLV290	BEBLV300
Tensione in ingresso	V _{CA}	230	230
Potenza assorbita	W	2900	3000
Capacità	L	55	72
Peso (soffiatore)	kg	3,6	3,6
Peso (aspiratore)	kg	4,4	4,4

Livello di pressione sonora misurato in base alla norma EN 50636-2-100

Pressione sonora nella posizione dell'utilizzatore: (L_{PA}) 90,0 dB(A), incertezza (K) 1,2 dB(A)

Potenza acustica (L_{WA}) 102,5 dB(A), incertezza (K) 1,1 dB(A)

Valori totali di vibrazione (somma vettoriale triassiale) in base alla norma EN 50636-2-100

Vibrazione (a_v) 3,0 m/s², incertezza (K) 1,8 m/s²

Dichiarazione di conformità CE

DIRETTIVA MACCHINE
DIRETTIVA SULLA RUMOROSITÀ ESTERNA



BEBLV290, BEBLV300 - Soffiatore/aspiratore
Black & Decker dichiara che i prodotti descritti al capitolo "Dati

tecnici" sono conformi alle seguenti norme:

2006/42/CE, EN60335-1:2012+A11:2014;

EN50636-2-100:2014

2000/14/CE, Soffiatore aspiratore, Allegato V

DEKRA Quality B.V., Utrechtseweg 310, 6802 ED Arnhem,
The Netherlands

ID ente notificato n.: 0344

Livello di potenza acustica misurato in base a 2000/14/CE
(Articolo 13, Allegato III):

Livello di potenza sonora: L_{wA}: 102,5 dB(A); K=1,1 dB(A)

Garanzia livello di potenza sonora garantita: L_{wA}: 104 dB(A)

Questi prodotti sono conformi alle Direttive 2014/30/UE e 2011/65/UE. Per maggiori informazioni contattare Black & Decker al seguente indirizzo oppure consultare l'ultima di copertina del manuale.

Il firmatario è responsabile della compilazione del documento tecnico e rende questa dichiarazione per conto di

Black & Decker.

Patrick Diepenbach

Patrick Diepenbach
Direttore generale, Benelux
Black and Decker,
Egide Walschaertsstraat 14-18
2800 Mechelen, Belgio
24/11/2021

Garanzia

Black & Decker è certa della qualità dei propri prodotti e offre ai consumatori una garanzia di 24 mesi dalla data di acquisto. Il presente certificato di garanzia è complementare ai diritti legali e non li pregiudica in alcun modo. La garanzia è valida nei territori degli Stati membri dell'Unione Europea o dell'EFTA (Associazione europea di libero scambio).

Per attivare la garanzia, il reclamo deve essere effettuato in accordo con i Termini e Condizioni Black&Decker e sarà necessario presentare la prova di acquisto al venditore o all'agente di riparazione autorizzato.

I Termini e condizioni della garanzia Black&Decker di 2 anni e la sede del tecnico riparatore autorizzato più vicino sono consultabili su Internet all'indirizzo www.2helpU.com, o contattando l'ufficio Black&Decker di zona all'indirizzo postale indicato in questo manuale.

Visitare il nostro sito www.blackanddecker.it per registrare il prodotto Black&Decker appena acquistato e ricevere gli aggiornamenti su nuovi prodotti e offerte speciali.

Bedoeld gebruik

De BLACK+DECKER™ bladblazers/-zuigers BEBLV290, BEBLV300 zijn ontworpen voor het ruimen van bladeren. Deze apparaten zijn uitsluitend bedoeld voor gebruik door consumenten en buitenshuis.

Algemene veiligheidswaarschuwingen voor apparaten



Waarschuwing! Wanneer u apparaten met snoer/snoerloos

moeten bepaalde elementaire voorzorgsmaatregelen, waaronder de navolgende, altijd in acht worden genomen zodat het risico van brand, elektrische schokken, persoonlijk letsel en materiële schade wordt beperkt.

- ◆ Lees deze handleiding zorgvuldig door voordat u het apparaat in gebruik neemt. Zorg ervoor dat u vertrouwd bent met de knoppen en met het juiste gebruik van het apparaat.
- ◆ In deze handleiding wordt het bedoeld gebruik beschreven. Het gebruik van accessoires of hulpstukken of de uitvoering van handelingen anders dan in deze gebruikershandleiding worden aanbevolen, kan een risico van persoonlijk letsel geven.

Het in de onderstaande waarschuwingen gebruikte begrip 'apparaat' heeft betrekking op apparaten voor gebruik op de netspanning (met netsnoer) of met een accu (snoerloos).

Bewaar alle waarschuwingen en instructies zodat u deze later ook kunt raadplegen.

Bewaar alle waarschuwingen en instructies als referentiemateriaal.

Het apparaat gebruiken

- ◆ **Ga bij gebruik van het apparaat altijd voorzichtig te werk.**
- ◆ Houd het werkgebied schoon en goed verlicht. Op rommelige of donkere plekken zullen sneller ongelukken gebeuren.
- ◆ Gebruik het apparaat alleen bij daglicht of goed kunstlicht.
- ◆ Gebruik het apparaat niet in een omgeving met explosiegevaar, zoals in de nabijheid van brandbare vloeistoffen, gasen of stof.
- ◆ Laat het apparaat nooit gebruiken door kinderen of door personen die onbekend zijn met de instructies voor het apparaat. Plaatselijke voorschriften kunnen eisen aan de leeftijd van de gebruiker stellen.
- ◆ Laat kinderen of dieren niet in de buurt van de werkomgeving komen, en niet het netsnoer van het apparaat aanraken.
- ◆ Houd kinderen, omstanders en dieren op afstand tijdens het gebruik van een apparaat. Als u wordt afgeleid, kunt u de controle over het gereedschap verliezen.
- ◆ Het apparaat mag niet als speelgoed worden gebruikt.
- ◆ Dompel het apparaat niet onder in water.
- ◆ Open de behuizing niet. Binnenin bevinden zich geen onderdelen waaraan de gebruiker onderhoud kan

uitvoeren.

Persoonlijke veiligheid

- ◆ Blijf alert, let goed op wat u doet en gebruik uw gezond verstand bij het gebruik van een apparaat. Werk niet met een apparaat wanneer u moe bent of onder invloed van drugs, alcohol of medicijnen verkeert. Een moment van onoplettendheid bij het gebruik van een apparaat kan leiden tot ernstige verwondingen.
- ◆ Draag, waar nodig, persoonlijke beschermende uitrusting. Het dragen van een persoonlijke beschermende uitrusting zoals een veiligheidsbril, een stofmasker, slipvaste werkschoenen, een veiligheidshelm of gehoorbescherming, afhankelijk van de aard en het gebruik van het apparaat, vermindert het risico van verwondingen.
- ◆ Voorkom onbedoeld inschakelen. Controleer dat de schakelaar in de Uitstand staat voordat u het gereedschap aansluit op het stopcontact en/of de accu plaats en voordat u het apparaat op tilt of gaat dragen. Wanneer u bij het dragen van het apparaat uw vinger op de schakelaar houdt of wanneer u het apparaat per ongeluk inschakelt, kan dat tot ongevallen leiden.
- ◆ Reik niet buiten uw macht. Blijf altijd stevig en in balans op de grond staan. Daardoor kunt u het apparaat beter

onder controle houden in onverwachte situaties.

- ◆ Draag de juiste kleding. Draag geen loszittende kleding of sieraden. Houd uw haar, kleding en handschoenen uit de buurt van bewegende onderdelen. Loszittende kleding, sieraden of lang haar kunnen door bewegende delen worden gegrepen.

Gebruik en onderhoud van het apparaat

- ◆ Controleer het apparaat vóór gebruik op beschadigde en defecte onderdelen. Controleer het apparaat op gebroken onderdelen, schade aan de schakelaars en andere omstandigheden die de werking ervan kunnen beïnvloeden.
- ◆ Gebruik het apparaat niet als de schakelaar defect is. Een apparaat dat niet meer met de schakelaar kan worden in- of uitgeschakeld, is gevaarlijk en moet worden gerepareerd.
- ◆ Trek de stekker uit het stopcontact en/of haal de accu uit het apparaat voordat u het apparaat instelt, accessoires wisselt of het apparaat opbergt. Deze voorzorgsmaatregelen helpen onbedoeld starten van het apparaat voorkomen.
- ◆ Houd zaag- en snijgereedschap, waar van toepassing, scherp en schoon. Goed onderhouden zaaggereedschap met scherpe snijvlakken loopt minder snel vast en is gemakkelijker onder controle te houden.

- ◆ Gebruik het apparaat niet als een of meer onderdelen beschadigd of defect is.
- ◆ Laat beschadigde of defecte onderdelen door een geautoriseerd servicecentrum repareren of vervangen.
- ◆ Probeer nooit andere onderdelen te verwijderen of te vervangen dan de onderdelen die in deze handleiding worden genoemd.
- ◆ Gebruik, wanneer u buitenshuis met een apparaat werkt, alleen verlengsnoeren die zijn goedgekeurd voor gebruik buitenshuis. Het gebruik van een verlengsnoer dat geschikt is voor buiten vermindert het risico van een elektrische schok.
- ◆ Als u met een apparaat werkt op een vochtige locatie, moet u een aardlekschakelaar (RCD) gebruiken. Het gebruik van een aardlekschakelaar vermindert het risico van een elektrische schok.

Elektrische veiligheid

- ◆ De stekker van het apparaat moet in het stopcontact passen. Pas de stekker nooit op enige manier aan. Gebruik geen adapterstekkers in combinatie met geaarde apparaten. Niet-aangepaste stekkers en passende contactdozen verminderen het risico van een elektrische schok.
- ◆ Stel het apparaat niet bloot aan regen of natte omstandigheden. Het binnendringen van water in een apparaat vergroot het risico van een elektrische schok.
- ◆ Behandel het snoer voorzichtig. Gebruik het snoer niet om het apparaat te dragen of op te hangen of om de stekker uit het stopcontact te trekken. Houd het snoer uit de buurt van warmtebronnen, olie, scherpe randen, of bewegende onderdelen. Beschadigde snoeren of snoeren die in de war zijn geraakt, verhogen het risico van een elektrische schok.

Na gebruik

- ◆ Bewaar het apparaat na gebruik op een droge, goed geventileerde plaats, buiten het bereik van kinderen.
- ◆ Zorg ervoor dat kinderen niet bij apparaten kunnen die zijn opgeborgen.
- ◆ Wanneer het apparaat in de auto ligt, moet u het apparaat in de kofferruimte plaatsen of goed vastzetten, zodat het apparaat niet kan wegschieten bij plotselinge veranderingen in snelheid of richting.

Service

- ◆ Laat het apparaat alleen repareren door gekwalificeerd en vakkundig personeel en alleen met originele vervangende onderdelen. Daarmee wordt de veiligheid van het apparaat gewaarborgd.

Aanvullende Veiligheidsinstructies voor bladblazers/-zuigers

In deze handleiding wordt het bedoeld gebruik beschreven. Het gebruik van andere accessoires of hulpstukken dan wel de uitvoering van andere handelingen met dit apparaat dan in deze gebruikershandleiding worden aanbevolen, kan tot persoonlijk letsel en/of materiële schade leiden.

- ◆ Draag tijdens het werken met het apparaat ter bescherming van uw voeten en benen altijd stevige schoenen en een lange broek.
- ◆ Gebruik het apparaat niet in de zuigerstand zonder dat de stangen en de opvangzak zijn bevestigd.
- ◆ Schakel het apparaat altijd uit, laat de ventilator tot stilstand komen en trek de stekker uit het stopcontact wanneer:
 - ◆ u het apparaat omzet van blazer naar zuiger.
 - ◆ het netsnoer is beschadigd of in de war is geraakt.
 - ◆ u het apparaat onbeheerd achterlaat.
 - ◆ u een blokkade verhelpt.
 - ◆ u het apparaat controleert, instelt, reinigt of onderhoudt.
 - ◆ Als het apparaat meer dan gewoon begint trillen.
- ◆ Houd de inlaat en uitlaat van de bladblazer/-zuiger tijdens het werken weg bij ogen en oren.
- ◆ Blaas nooit afval in de richting van omstanders.

- ◆ Gebruik het apparaat niet in de regen en laat het niet buiten liggen wanneer het regent.
- ◆ Steek geen grindpaden of wegen over wanneer het apparaat is ingeschakeld in de stand blazen/zuigen.
- ◆ Loop rustig, ren nooit.
- ◆ Leg het apparaat niet op grind neer terwijl het is ingeschakeld.
- ◆ Zorg er altijd voor dat u stevig staat, vooral op hellingen.
- ◆ Reik niet buiten uw macht en bewaar te allen tijde uw evenwicht.
- ◆ Zuig geen materiaal op dat kan zijn vervuild met brandbare of ontvlambare vloeistoffen zoals benzine, en werk ook niet op plaatsen waar dergelijke vloeistoffen aanwezig kunnen zijn.
- ◆ Plaats geen voorwerpen in de openingen van het apparaat. Gebruik het apparaat nooit wanneer de openingen verstopt zijn – zorg dat er geen haren, stof en andere zaken in terecht komen die de luchtstroom kunnen belemmeren.

Waarschuwing! Gebruik dit apparaat altijd volgens de aanwijzingen in deze handleiding. Het apparaat is ontworpen voor rechtstandig gebruik, en als het op andere wijze wordt gebruikt, kan dat leiden tot letsel. Laat het apparaat nooit draaien wanneer het op de zijkant ligt of ondersteboven.

- ◆ De gebruiker van het apparaat is verantwoordelijk voor ongelukken die gebeuren of voor gevaren waaraan andere mensen of hun eigendommen worden blootgesteld.

- ◆ Draag het apparaat niet aan het snoer.
- ◆ Houd het snoer altijd naar achteren gericht en van het apparaat verwijderd.

Waarschuwing! Als het netsnoer tijdens het gebruik wordt beschadigd, moet u onmiddellijk de stekker uit het stopcontact halen.

Raak het netsnoer in dat geval pas aan wanneer de stekker uit het stopcontact is.

- ◆ Maak het apparaat niet schoon met oplosmiddelen of reinigingsvloeistoffen. Schrap met een botte krabber gras en vuil van het apparaat.
- ◆ Controleer de opvangzak regelmatig op slijtage of beschadiging.
- ◆ Vervangende ventilatoren zijn verkrijgbaar bij een BLACK+DECKER-servicecentrum. Gebruik uitsluitend door BLACK+DECKER aanbevolen reserveonderdelen en accessoires.
- ◆ Zorg ervoor dat alle moeren, bouten en schroeven van het apparaat goed zijn aangedraaid zodat u veilig kunt werken.

Veiligheid van anderen

- ◆ Dit apparaat mag worden gebruikt door kinderen van 8 jaar en ouder en personen die lichamelijk of geestelijk minder valide zijn of die geen ervaring met of kennis van dit apparaat hebben, mits zij onder toezicht staan of instructies krijgen voor een veilige manier van gebruiken van het apparaat en inzicht hebben in de mogelijke gevaren.

Kinderen mogen niet met het apparaat spelen. Laat kinderen nooit zonder toezicht het gereedschap schoonmaken of onderhouden.

- ◆ Houd toezicht op kinderen zodat zij niet met het apparaat kunnen spelen.

Elektrische veiligheid



Dit apparaat is dubbel geïsoleerd; een aardeaansluiting is daarom niet noodzakelijk.

Controleer altijd dat de stroomvoorziening overeenkomt met de voltage op het typeplaatje.

- ◆ Als het netsnoer is beschadigd, moet het door de fabrikant of door een geautoriseerd BLACK+DECKER-servicecentrum worden vervangen, zodat gevaarlijke situaties worden voorkomen.
- ◆ Met een zeer gevoelige reststroomschakelaar (een RCD van 30 mA) wordt het risico van een elektrische schok verkleind.

Een verlengsnoer gebruiken

Gebruik altijd een goedgekeurd verlengsnoer dat geschikt is voor het ingangsvermogen van dit apparaat (zie de technische gegevens). Het verlengsnoer moet geschikt zijn voor gebruik buitenshuis en dat moet erop zijn vermeld. Er kan een HO5V V-F verlengsnoer van 1,5 mm² van maximaal 30 m lang worden gebruikt zonder dat de prestaties van het apparaat afnemen.

Controleer het verlengsnoer vóór gebruik op tekenen van beschadiging, slijtage of veroudering. Vervang het verlengsnoer als het beschadigd of defect is. Rol het snoer altijd volledig af, wanneer u een haspel gebruikt.

Overige risico's

Er kunnen zich bij het gebruik van dit gereedschap nog meer risico's voordoen, die mogelijk niet in de bijgesloten veiligheidswaarschuwingen worden beschreven. Deze risico's kunnen zich voordoen bij verkeerd of langdurig gebruik, enz. Ook als de geldende veiligheidsvoorschriften worden gevolgd en de juiste veiligheidsvoorzieningen worden getroffen, kunnen bepaalde risico's niet worden uitgesloten. Dit zijn onder meer:

- ◆ Verwondingen die worden veroorzaakt door het aanraken van draaiende of bewegende onderdelen.
- ◆ Verwondingen die worden veroorzaakt bij het vervangen van onderdelen, zaagbladen of accessoires.
- ◆ Verwondingen die worden veroorzaakt door langdurig gebruik van gereedschap. Wanneer u langere periodes met gereedschap werkt, kunt u het beste regelmatig een pauze nemen.
- ◆ Gehoorbeschadiging.
- ◆ Gezondheidsrisico's door het inademen van stof dat vrijkomt tijdens het gebruik van uw gereedschap (bijvoorbeeld: het werken met hout, vooral eiken, beuken en MDF).

Trillingen

De aangegeven waarden voor trillingsemisatie in de technische gegevens en de conformiteitsverklaring, zijn gemeten conform een standaardtestmethode die door EN50636 wordt verstrekt. Hiermee kan het ene gereedschap met het andere worden vergeleken. De aangegeven waarde voor trillingsemisatie kan ook worden gebruikt bij een voorlopige bepaling van blootstelling.

Waarschuwing! De waarde voor trillingsemisatie tijdens het werkelijke gebruik van het elektrisch gereedschap kan verschillen van de aangegeven waarde afhankelijk van de manieren waarop het gereedschap wordt gebruikt. Het trillingsniveau kan toenemen tot boven het aangegeven niveau. Bij beoordeling van de blootstelling aan trillingen met het doel vast te stellen welke veiligheidsmaatregelen 2002/44/EG vereist ter bescherming van personen die tijdens hun werk regelmatig elektrisch gereedschap gebruiken, moet bij een inschatting van de blootstelling aan trillingen rekening worden gehouden met de werkelijke gebruiksomstandigheden en de manier waarop het gereedschap wordt gebruikt. Daarbij moet ook rekening worden gehouden met alle onderdelen van de bedrijfsproces, zoals wanneer het gereedschap wordt uitgeschakeld en wanneer het gereedschap stationair loopt en ook de aanlooptijd.

Labels op het apparaat

De volgende pictogrammen worden met de datumcode op het gereedschap weergegeven.



Waarschuwing! Lees de handleiding voordat u met het apparaat gaat werken.



Draag een veiligheidsbril of een stofbril wanneer u met dit apparaat werkt.



Maak gebruik van goede gehoorbescherming wanneer u dit apparaat gebruikt.



Gebruik het apparaat niet in de regen of bij een hoge luchtvochtigheid en laat het niet buiten liggen wanneer het regent.



Schakel het apparaat uit: haal de stekker uit het stopcontact voordat u het reinigt of er onderhoudswerkzaamheden aan uitvoert.



Trek de stekker uit het stopcontact wanneer het snoer beschadigd of in de war raakt.



Wees bedacht op voorwerpen die worden weggeslingerd.



Houd omstanders uit de buurt.



Richtlijn 2000/14/EG gegarandeerd geluidsvermogen.

Functies

Dit apparaat heeft enkele of alle van de volgende functies.

1. Aan/Uitschakelaar - snelheidsregeling
2. Voorste handgreep
3. Achterste handgreep
4. Motorhuis

5. Bovenste zuigerbuis
6. Onderste zuigerbuis
7. Bovenste blazerbuis
8. Onderste blazerbuis
9. Concentrator
10. Opvangzak
11. Aansluiting van de zaak

Gebruik van het apparaat

Waarschuwing! Draag altijd een veiligheidsbril tijdens de bediening van dit apparaat als blazer of zuiger. Als u het apparaat gebruikt in een stoffige omgeving, moet u ook een filtermasker dragen.

Waarschuwing! Schakel het apparaat uit, laat de waaijer tot stilstand komen en haal de stekker uit het stopcontact voordat u het apparaat gaat instellen, reinigen of onderhouden.

Montage



Waarschuwing! Let er voordat u overgaat tot montage op dat de machine is uitgeschakeld en de stekker uit het stopcontact is getrokken.



Waarschuwing! Draag altijd beschermende handschoenen wanneer u met de blazer-zuiger werkt.

Montage buizen van zuiger (afb. A)

De buizen van blazer/zuiger moeten voorafgaand aan gebruik aan elkaar worden gezet.

Waarschuwing! Het apparaat mag niet worden gebruikt zonder dat alle zuigerbuizen zijn bevestigd.

- ◆ U kunt de aansluiting vergemakkelijken door wat zeepwater op de verbindende delen aan te brengen.
- ◆ Houd de nokken (5a) en de uitsparingen (6a) op de zuigerbuizen boven (5) en onder (6) tegenover elkaar.
- ◆ Duw de onderste zuigerbuis (6) stevig in de bovenste zuigerbuis (5) tot zij vastklikken.

Waarschuwing! Haal de buizen niet van elkaar wanneer ze eenmaal zijn gemonteerd.

Zuigerstand (afb. B, C, D, E, F, G, H, I, J, K, L, M)

- ◆ Draai de beschermkap van de ventilator naar links (afb. B).
- ◆ Steek de stang (14) (meegeleverd) in de vrijgave-opening (13) van de ventilatorbeschermkap en duw omhoog zodat de ventilatorbeschermkap (12) loskomt, zoals wordt getoond in afbeelding C.
- ◆ Laat de ventilatorbeschermkap (12) naar voren vallen, zoals wordt getoond in afbeelding D.
- ◆ Steek de gemonteerde zuigerbuis (5) in de beschikbare uitsparing in het motorhuis (4), zoals wordt getoond in afbeelding E.
- ◆ Draai de gemonteerde zuigerbuis naar rechts, zodat de bajonetsluiting wordt vergrendeld, zoals wordt getoond in afbeelding E.

- ◆ Steek de connector (11) van de opvangzak in de opening (11a) in het motorhuis, zoals wordt getoond in afbeelding F.
- ◆ Plaats de riemen van de opvangzak (10) over uw schouders (afb. G). Dit biedt extra ondersteuning wanneer de zak wordt gevuld en zwaarder wordt.
- ◆ Houd de zuigerbuis vlak boven het afval/de bladeren. Schakel het apparaat in door de Aan/Uit-schakelaar (1) naar boven te duwen (afb. H, inzet) en maak een vegende beweging. Het afval/de bladeren worden in de buis gezogen en in de opvangzak (10) (afb. H) geworpen.
- ◆ Naarmate de zak voller wordt, neemt de zuigkracht af. Schakel het apparaat uit en trek de stekker uit het stopcontact.
- ◆ Maak de vergrendeling (10a) op de opvangzak-rugzak los (afb I).
- ◆ Vouw de opvangzak-rugzak open (afb J).
- ◆ Open de opvangzak-rugzak (afb K) en schud de zak leeg.
- ◆ Sluit de opvangzak weer door de flexibele balken tegen elkaar aan te houden en 2-3 keer te rollen (afb L).
- ◆ Vergrendel de afdichtingsklem (10a), zoals wordt getoond in afbeelding M.

Waarschuwing! Verwijder de opvangzak pas wanneer u het apparaat hebt uitgeschakeld en de stekker van het apparaat uit het stopcontact hebt gehaald.

Opmerking: Als de zuigkracht afneemt maar de zak is niet vol, zit de zuigerbuis waarschijnlijk verstopt. Zet het apparaat uit, haal de stekker uit het stopcontact, maak de zuigerbuis los en reinig deze voordat u verdergaat.

- ◆ Maak, wanneer de taak is volbracht, de bajonetsluiting los door de gemonteerde zuigerbuis naar links te draaien. Steek de stang (14) in de vrijgave-opening (13) van de ventilatorbeschermer en duw omhoog zodat de gemonteerde zuigerbuis loskomt. Verwijder de gemonteerde zuigerbuis uit het motorhuis, zoals wordt getoond in afbeelding N.
- ◆ Plaats de ventilatorbeschermer weer, zoals wordt getoond in afbeelding O.
- ◆ Draai de ventilatorbeschermer naar rechts, zoals wordt getoond in afbeelding P.

Stand blazen (afb. Q, R, S, T)

- ◆ Monteer de bovenste blazerbuis (7), de onderste blazerbuis (8) en de als optie verkrijgbare concentrator (9), zoals wordt getoond in afbeelding Q.
- ◆ Duw de gemonteerde blazerbuis op de zuigeruitlaat (11a) tot de vergrendeling stevig vastklikt op de blazerbuis, zoals wordt getoond in afbeelding R.

Waarschuwing! Werk nooit in de blazerstand als niet de blazerbuis stevig is bevestigd.

- ◆ Houd de blazerbuis ongeveer 180 mm boven de grond, schakel het apparaat in en maak een vegende beweging heen en weer, loop langzaam verder terwijl u het verzamelde afval/de verzamelde bladeren voor u houdt (afb. S).
- ◆ Wanneer u het afval/de bladeren eenmaal op een hoop hebt verzameld, kunt u de blazerbuis losnemen door de stang (14) in de opening op de zuigerkop te steken en omlaag te duwen zodat de vergrendeling loskomt, zoals wordt getoond in afbeelding T.
- ◆ U kunt nu het apparaat omzetten naar de zuigerstand en het afval opnemen.

Problemen oplossen

Probleem	Mogelijke oplossing
Het apparaat doet het niet	Controleer de aansluiting op de stroomvoorziening
	Controleer de zekering in de stekker. Vervang deze als de zekering gesprongen is (alleen voor het Verenigd Koninkrijk).
	Controleer dat de blazer/zuigerbuis op de juiste wijze op de motorbehuizing is aangesloten.
	Als de zekering blijft doorslaan, haal dan onmiddellijk de stekker uit het stopcontact en neem contact op met een geautoriseerde reparateur van BLACK+DECKER bij u in de buurt.
Het apparaat zuigt niet goed/jankend geluid	Schakel het apparaat uit en haal de stekker uit het stopcontact. Het afval moet nu uit de buis vallen.
	Neem de opvangzak los en maak deze leeg.
	Controleer dat de inlaat- en uitlaatgaten van de zuigerbuis niet verstopt zijn.
	Verwijder afval uit de omgeving van de waaier.
	Als de zuigkracht laag blijft, haal de stekker dan onmiddellijk uit het stopcontact en raadpleeg een geautoriseerde reparateur van BLACK+DECKER bij u in de buurt

Onderhoud

Dit BLACK+DECKER-apparaat is ontworpen om gedurende een lange periode te functioneren met een minimum aan onderhoud.

Voortdurend gebruik naar tevredenheid is afhankelijk van de juiste verzorging en regelmatige reiniging van het apparaat.

- ◆ Houd het apparaat schoon en droog.
- ◆ Verwijder bladeren die in de zuigerbuis vastzitten.
- ◆ Reinig de ventilatieopeningen regelmatig met een schone, droge kwast.
- ◆ Maak de opvangzak regelmatig schoon en maak vooral de zak steeds na gebruik leeg.
- ◆ Reinig het apparaat uitsluitend met een milde zeepoplossing en een vochtige doek.

Laat nooit vloeistof in het apparaat dringen en dompel de onderdelen van het apparaat nooit onder in een vloeistof. Gebruik niet een schurend schoonmaakmiddel of een schoonmaakmiddel op basis van een oplosmiddel.

- ◆ Het apparaat heeft zelfmerende lagers, smering is dus niet nodig.

Netstekker vervangen (alleen VK en Ierland)

Als er een nieuwe netstekker moet worden gemonteerd:

- ◆ Gooi de oude stekker op verantwoorde wijze weg.
- ◆ Sluit de bruine draad aan op de spanningvoerende pool in de nieuwe stekker.
- ◆ Sluit de blauwe draad op de niet-spanningvoerende pool.

Waarschuwing! Er moet geen verbinding tot stand worden gebracht met de aardeaansluiting. Volg de montage-instructies die bij stekkers van goede kwaliteit worden geleverd.

Aanbevolen zekering: 13 A.

Het milieu beschermen



Gescheiden afvalinzameling. Producten en accu's waarop dit symbool is aangebracht, mogen niet bij het normale huishoudafval worden weggegooid.

Producten en accu's bevatten materialen die kunnen worden teruggewonnen of gerecycled en dat doet de vraag naar grondstoffen afnemen. Recycle elektrische producten en accu's volgens de ter plaatse geldende bepalingen. Nadere informatie is beschikbaar op www.2helpU.com

Technische gegevens

		BEBLV290	BEBLV300
Ingangsspanning	V _{ac}	230	230
Vermogen	W	2900	3000
Capaciteit	L	55	72
Gewicht (blazer)	kg	3,6	3,6
Gewicht (zuiger)	kg	4,4	4,4

Niveau van geluidsdruk volgens EN 50636-2-100

Geluidsdruk niveau bij de gebruiker: (L_{pA}) 90,0 dB(A), meetonzekerheid (K) 1,2 dB(A)
 Geluidsvermogen niveau (L_{WA}) 102,5 dB(A), meetonzekerheid (K) 1,1 dB(A)

Totale trillingswaarden (som triaxvector) volgens EN 50636-2-100

Trilling (a_r) 3,0 m/s², onzekerheid (K) 1,8 m/s²

EG conformiteitsverklaring

RICHTLIJN VOOR MACHINES
 RICHTLIJN VOOR GELUID BUITENSHUIS



BEBLV290, BEBLV300 - Bladblazer/-zuiger

Black & Decker verklaart dat de producten die worden

beschreven onder 'Technische gegevens', voldoen aan: 2006/42/EC, EN60335-1:2012+A11:2014; EN50636-2-100:2014

2000/14/EG, Blazer-zuiger, bijlage V

DEKRA Quality B.V., Utrechtseweg 310, 6802 ED Arnhem, Aangemelde instantie in Nederland ID Nr.: 0344

Niveau van akoestisch vermogen, volgens 2000/14/EG (Artikel 13, bijlage III):

Geluidsvermogen niveau: L_{WA}: 102,5 dB(A); K= 1,1 dB(A)

Gegarandeerd geluidsvermogen niveau: L_{WA}: 104 dB(A)

Deze producten voldoen ook aan richtlijn 2014/30/EU en 2011/65/EU. Neem voor meer informatie contact op met Black & Decker op het volgende adres of raadpleeg de achterzijde van de handleiding.

Ondergetekende is verantwoordelijk voor de samenstelling van het technische bestand en legt deze verklaring af namens

Black & Decker.

Patrick Diepenbach

Patrick Diepenbach

General Manager, Benelux

Black and Decker,

Egide Walschaertsstraat 14-18

2800 Mechelen, België

24/11/2021

Garantie

Black & Decker heeft vertrouwen in zijn producten en biedt consumenten een garantie van 24 maanden vanaf de aankoopdatum. Deze garantie vormt een aanvulling op uw wettelijke rechten en beperken deze niet. De garantie is geldig op het grondgebied van de Lidstaten van de Europese Unie en de Europese Vrijhandelszone.

Voor een garantie-aanspraak moet uw aanspraak in overeenstemming zijn met de Voorwaarden en Condities van Black&Decker en moet u een bewijs van aankoop overleggen aan de verkoper of aan een geautoriseerde reparatiemonteur. Voorwaarden en condities van de 2-jarige garantie van Black&Decker en het adres van de vestiging van het geautoriseerde reparatiecentrum bij u in de buurt, kunt u vinden op internet op www.2helpU.com, of door contact op te nemen met het Black & Decker-kantoor ter plaatse, op het adres dat in deze handleiding wordt vermeld.

Bezoek onze website www.blackanddecker.nl, waar u uw nieuwe Black & Decker-product kunt registreren en het laatste nieuws vindt over nieuwe producten en speciale aanbiedingen.

Uso previsto

Los sopladores aspiradores BEBLV290 y BEBLV300 de BLACK+DECKER™ han sido diseñados para la eliminación de hojas. Estos aparatos han sido concebidos únicamente para uso doméstico y en exteriores.

Advertencias de seguridad generales para el aparato

¡Advertencia! Si utiliza aparatos con cable/inalámbricos, es necesario

seguir las precauciones de seguridad básicas, incluidas las que se indican a continuación, para reducir el riesgo de incendios, descargas eléctricas, lesiones personales y daños materiales.

- ◆ Lea todo el manual detenidamente antes de utilizar el aparato y familiarícese con sus controles y su uso correcto.
- ◆ En este manual se describe el uso previsto del aparato. La utilización de accesorios o la realización de operaciones distintas a las recomendadas en este manual de instrucciones pueden conllevar el riesgo de lesiones.

El término "aparato" empleado en todas las advertencias siguientes se refiere al aparato eléctrico con alimentación de red (con cable) o al aparato eléctrico alimentado por batería (sin cable).

Guarde todas las advertencias e instrucciones para futuras consultas.

Uso del aparato

- ◆ Tenga siempre mucho cuidado al utilizar el aparato.

- ◆ Mantenga el área de trabajo limpia y bien iluminada. Las áreas en desorden u oscuras pueden provocar accidentes.
- ◆ Utilice el aparato únicamente a la luz del día o con iluminación artificial adecuada.
- ◆ No utilice el aparato en entornos con peligro de explosión, como en los que se encuentren líquidos, gases o material en polvo inflamables.
- ◆ Nunca permita que los niños ni las personas no familiarizadas con estas instrucciones utilicen el aparato. Las normativas locales pueden restringir la edad del usuario.
- ◆ Evite que los niños y animales se acerquen a la zona de trabajo y toquen el aparato o el cable de alimentación.
- ◆ Cuando utilice el aparato, mantenga a los niños, a otras personas y a los animales alejados del área de trabajo. Las distracciones pueden provocar la pérdida del control de la herramienta.
- ◆ Este aparato no es un juguete.
- ◆ No sumerja el aparato en agua.
- ◆ No abra la carcasa. Este aparato no contiene piezas que puedan ser reparadas por el usuario.

Seguridad personal

- ◆ Esté atento a lo que hace y aplique el sentido común cuando utilice el aparato. No lo utilice si está cansado, ni si se encuentra bajo los efectos del alcohol, drogas o medicamentos.

Un momento de distracción durante el uso del aparato puede provocarle serias lesiones personales.

- ◆ En caso necesario, utilice un equipo de protección individual. El riesgo de lesiones se reduce considerablemente si se utiliza material de protección adecuado como gafas de protección, mascarilla antipolvo, zapatos de seguridad con suela antideslizante, casco o protectores auditivos.
- ◆ Impida que la herramienta se ponga en marcha accidentalmente. Asegúrese de que el conmutador de encendido/apagado se encuentre en la posición de apagado antes de coger o transportar el aparato, o de conectarlo a la fuente de alimentación o a la batería.
Transportar el aparato con el dedo sobre el interruptor o enchufarlo con el interruptor encendido puede provocar accidentes.
- ◆ No se estire demasiado. Mantenga un equilibrio adecuado y la estabilidad constantemente. Ello le permitirá controlar mejor el aparato en caso de presentarse una situación inesperada.
- ◆ Use la vestimenta adecuada. No se ponga ropa suelta o joyas. Mantenga el cabello, la ropa y los guantes alejados de las piezas en movimiento. La ropa suelta, las joyas y el pelo largo pueden quedar atrapados en las piezas en movimiento.

Uso y cuidado del aparato

- ◆ Antes de utilizarlo, compruebe que el aparato no contenga piezas dañadas ni defectuosas.
Compruebe que no haya piezas rotas, que los interruptores no estén dañados y que no existan otros defectos que puedan afectar al funcionamiento del aparato.
- ◆ No utilice el aparato si no se puede encender y apagar con el interruptor. Los aparatos que no se pueden controlar con el interruptor de encendido/apagado son peligrosos y deben hacerse reparar.
- ◆ Desconecte el enchufe de la fuente de alimentación y/o la batería del aparato antes de realizar cualquier ajuste, cambiar los accesorios o guardar los aparatos. Estas medidas preventivas reducen el riesgo de conectar el aparato accidentalmente.
- ◆ En caso necesario, mantenga las herramientas de corte limpias y afiladas. Hay menos probabilidad de que las herramientas de cortar con bordes afilados se bloqueen, y son más fáciles de controlar.
- ◆ No utilice el aparato si presenta alguna pieza dañada o defectuosa.
- ◆ Solicite a un agente autorizado del servicio técnico la reparación o sustitución de las piezas dañadas o defectuosas.
- ◆ Nunca intente extraer ni sustituir ninguna pieza que no esté especificada en este manual.

Seguridad eléctrica

- ◆ Los enchufes del aparato deben corresponder a la toma de corriente utilizada. No modifique nunca el enchufe de ninguna forma. No utilice ningún enchufe adaptador con los aparatos conectados a tierra (puesta a masa). Los enchufes no modificados y las tomas de corriente compatibles reducen el riesgo de descarga eléctrica.
- ◆ No exponga el aparato a la lluvia ni a condiciones húmedas. El peligro de recibir una descarga eléctrica es mayor si penetra agua en el aparato.
- ◆ Cuide el cable de alimentación. No lo utilice para transportar o colgar el aparato, ni tire de él para sacar el enchufe de la toma de corriente. Mantenga el cable alejado del calor, aceite, bordes afilados y piezas en movimiento. Los cables dañados o enredados aumentan el riesgo de descarga eléctrica.
- ◆ Al trabajar con el aparato a la intemperie, utilice solamente cables de prolongación homologados para su uso en exteriores. La utilización de un cable adecuado para el uso en exteriores reduce el riesgo de descarga eléctrica.
- ◆ Si la utilización de un aparato en un lugar húmedo es inevitable, utilice una fuente protegida con un dispositivo de corriente residual (DCR). El uso de un DCR reduce el riesgo de descarga eléctrica.

Después de la utilización

- ◆ Cuando el aparato no esté en uso, deberá guardarse en un lugar seco, bien ventilado y lejos del alcance de los niños.
- ◆ Los niños no deben tener acceso a los aparatos guardados.
- ◆ Cuando se guarde o transporte el aparato en un vehículo, deberá colocarse en el maletero o asegurarse para evitar movimientos producidos por cambios repentinos en la velocidad o en la dirección.

Reparaciones

- ◆ Haga reparar el aparato solo por personal técnico autorizado que emplee exclusivamente piezas de repuesto idénticas. De este modo se garantiza el mantenimiento de la seguridad del aparato.

Instrucciones de seguridad adicionales para sopladores aspiradores

En este manual se describe el uso para el que se ha diseñado el aparato. La utilización de accesorios o la realización de operaciones con este aparato distintas de las recomendadas en este manual de instrucciones puede presentar un riesgo de lesiones y/o daños materiales.

- ◆ Para proteger sus pies y piernas cuando utilice el aparato, lleve siempre calzado resistente y pantalones largos.

- ◆ No utilice el producto en modo de aspiración sin los tubos de aspiración y la bolsa colectora en su lugar.
- ◆ Apague siempre el producto, deje que el ventilador se detenga y desconecte el enchufe de la toma cuando:
 - ◆ Cambie del modo de sopladora al de aspiradora.
 - ◆ El cable de alimentación esté dañado o enrollado.
 - ◆ Deje el producto sin vigilancia.
 - ◆ Elimine una obstrucción.
 - ◆ Compruebe, ajuste, limpie o realice cualquier operación en el producto.
 - ◆ El aparato comience a vibrar de manera anormal.
- ◆ Evite acercarse a la entrada o la salida de la aspiradora a los ojos o a los oídos cuando utilice el producto.
- ◆ Nunca sople restos en la dirección de otras personas.
- ◆ No utilice el producto bajo la lluvia ni lo deje en el exterior mientras esté lloviendo.
- ◆ No cruce caminos de grava ni carreteras con el producto encendido en el modo de soplado o aspirado.
- ◆ Camine; nunca corra.
- ◆ No deje la unidad sobre la grava mientras se encuentra encendida.
- ◆ Manténgase en todo momento firmemente apoyado en el suelo, especialmente en las pendientes.
- ◆ No se estire demasiado y mantenga el equilibrio en todo momento.

- ◆ No recoja sustancias que puedan estar contaminadas con líquidos inflamables o combustibles, como gasolina, ni utilice el producto en lugares donde tales sustancias puedan estar presentes.
- ◆ No coloque ningún objeto en las aberturas. Nunca utilice el producto si las aberturas están bloqueadas (evite que se introduzcan pelos, pelusas, partículas de polvo u otras sustancias que puedan reducir el flujo de aire).

¡Advertencia! Utilice siempre el producto según las instrucciones que se describen en este manual.

El producto está diseñado para utilizarse en posición vertical, y su utilización en cualquier otro modo puede causar lesiones. Nunca ponga en marcha el producto mientras este se encuentre recostado o boca abajo.

- ◆ El usuario será responsable de los accidentes y las situaciones peligrosas que puedan sufrir las personas de su alrededor o sus propiedades.
- ◆ No sujete el aparato por el cable para transportarlo.
- ◆ Dirija siempre el cable hacia atrás para alejarlo del aparato.

¡Advertencia! Si se daña un cable mientras utiliza el producto, desconecte el cable de alimentación de la red eléctrica inmediatamente.

No toque el cable de alimentación sin haberlo desconectado previamente de la red eléctrica.

- ◆ No utilice disolventes ni fluidos de limpieza para limpiar el producto.

Utilice un raspador sin filo para eliminar los restos de hierba y la suciedad.

- ◆ Compruebe frecuentemente que la bolsa colectora no esté gastada ni rota.
- ◆ Puede adquirir los ventiladores de repuesto de su agente autorizado de BLACK+ DECKER. Utilice las piezas de repuesto y los accesorios recomendados por BLACK+DECKER.
- ◆ Mantenga todas las tuercas, pernos y tornillos del aparato apretados para asegurar unas condiciones de trabajo seguras.

Seguridad de otras personas

- ◆ Este aparato puede ser usado por niños a partir de 8 años de edad y por personas con capacidades físicas, sensoriales o mentales disminuidas, o que carezcan de experiencia y conocimientos, siempre que estén supervisadas o hayan recibido formación con respecto al uso del aparato de una forma segura y comprendan los peligros que entraña su uso. Los niños no deben jugar con el aparato. Los niños no deberán realizar las tareas de limpieza y mantenimiento de usuario, salvo que lo hagan bajo supervisión.
- ◆ Los niños deben estar siempre vigilados para asegurarse de que no juegan con el aparato.

Seguridad eléctrica



Este aparato lleva un doble aislamiento; por lo tanto, no requiere una toma a tierra.

Compruebe siempre que el voltaje suministrado corresponda al indicado en la placa de características.

- ◆ Si se daña el cable de alimentación, el fabricante o un centro del servicio técnico autorizado de BLACK+DECKER deberán sustituirlo para evitar riesgos.
- ◆ Se puede incrementar la seguridad eléctrica mediante dispositivos de corriente residual (DCR) de 30 mA de alta sensibilidad.

Uso de un cable de prolongación

Utilice siempre un cable de prolongación aprobado que sea adecuado para la entrada de corriente de esta herramienta (consulte los datos técnicos). El cable de prolongación debe ser adecuado para su uso en exteriores y presentar las indicaciones oportunas. Se puede utilizar un cable de prolongación HO5VV-F de 1.5 mm² y de hasta 30 m sin pérdida de rendimiento del producto. Antes de utilizar el cable de prolongación, compruebe que no esté dañado, gastado o deteriorado. Si está dañado o defectuoso, sustitúyalo. Si utiliza un carrete de cable, desenrolle siempre el cable completamente.

Riesgos residuales

El uso de esta herramienta puede producir riesgos residuales adicionales no incluidos en las advertencias de seguridad adjuntas. Estos riesgos se pueden generar por un uso incorrecto, demasiado prolongado, etc. El cumplimiento de las normas de seguridad correspondientes y el uso de dispositivos de seguridad no evitan ciertos riesgos residuales. Dichos riesgos incluyen:

- ◆ Lesiones producidas por el contacto con piezas móviles o giratorias.
- ◆ Lesiones causadas al cambiar piezas, hojas o accesorios.
- ◆ Lesiones causadas por el uso prolongado de una herramienta.
Si utiliza una herramienta durante períodos de tiempo demasiado prolongados, asegúrese de realizar pausas con frecuencia.
- ◆ Deterioro auditivo.
- ◆ Riesgos para la salud causados por la respiración del polvo generado por el uso de la herramienta (por ejemplo, al trabajar con madera, especialmente roble, haya y tablero semiduro de fibras).

Vibración

Los valores de emisión de vibraciones declarados en el apartado de características técnicas y en la declaración de conformidad se han calculado según un método de prueba estándar proporcionado por la norma EN50636 y pueden utilizarse para

comparar una herramienta con otra.

El valor de emisión de vibraciones especificado también puede utilizarse en una evaluación preliminar de la exposición.

¡Advertencia! El valor de emisión de vibraciones durante el funcionamiento real de la herramienta eléctrica puede diferir del valor declarado en función de cómo se utilice dicha herramienta. El nivel de las vibraciones puede aumentar por encima del nivel declarado.

Al evaluar la exposición a las vibraciones con el fin de determinar las medidas de seguridad que exige la norma 2002/44/CE para proteger a las personas que utilizan periódicamente herramientas eléctricas en el entorno laboral, deberá tenerse en cuenta una estimación de la exposición a las vibraciones, las condiciones de uso reales y el modo de empleo de la herramienta, así como los pasos del ciclo operativo como, por ejemplo, el número de veces que la herramienta se apaga, el tiempo que está parada y el tiempo de activación.

Etiquetas del aparato

Los siguientes pictogramas están colocados, junto al código de fecha, en la herramienta.



¡Advertencia! Lea el manual antes de utilizar el aparato.



Cuando utilice el aparato, lleve siempre gafas protectoras.



Cuando maneje el aparato, utilice protección para los oídos adecuada.



No exponga la herramienta a la lluvia ni a la humedad, ni la deje en el exterior mientras esté lloviendo.



Desenchufado: desconecte el enchufe de la corriente antes de limpiar o revisar el aparato.



Desconecte el enchufe de red si el cable está dañado o enredado.



Tenga cuidado con los objetos que salen volando.



Mantenga alejadas a otras personas.



Directiva 2000/14/CE sobre la potencia acústica garantizada.

Características

Este aparato incluye una o más de las siguientes características.

1. Interruptor de encendido/apagado – Control de la velocidad
2. Empuñadura frontal
3. Mango trasero
4. Cabeza motriz
5. Tubo de aspiración superior
6. Tubo de aspiración inferior
7. Tubo de soplado superior
8. Tubo de soplado inferior
9. Concentrador
10. Bolsa colectora
11. Conector de la bolsa

Utilización del producto

¡Advertencia! Tanto si utiliza el producto como un soplador o un aspirador, utilice siempre gafas de seguridad. Si utiliza el producto en entornos con mucho polvo, utilice también una mascarilla de filtro.

¡Advertencia! Apague el producto, deje que el ventilador se detenga y desconecte el enchufe de la toma antes de llevar a cabo cualquier ajuste, reparación u operación de mantenimiento.

Montaje



¡Advertencia! Antes de proceder al montaje, compruebe que el aparato esté apagado y desenchufado.



¡Advertencia! Utilice siempre guantes de protección cuando manipule el soplador aspirador.

Montaje del tubo de aspiración (Fig. A)

Los tubos de aspiración deben colocarse antes de utilizar el aparato.

¡Advertencia! No utilice el aparato con los tubos de aspiración separados.

- ◆ Para facilitar el montaje, aplique una solución de agua jabonosa en la zona de unión.
- ◆ Alinee las muescas (5a) y los huecos (6a) de los tubos de aspiración superior (5) e inferior (6).
- ◆ Presione el tubo de aspiración inferior (6) firmemente dentro del tupo de aspiración superior (5) hasta que encajen.

¡Advertencia! No separe los tubos una vez montados.

Modo de aspiración (figs. B, C, D, E, F, G, H, I, J, K, L, M)

- ◆ Gire el conjunto del protector del ventilador en sentido antihorario (fig. B).
- ◆ Inserte la varilla (14) (suministrada) en la liberación de la protección (13) y pulse hacia arriba el conjunto de protección del ventilador (12), como se muestra en la figura C.
- ◆ Tire hacia delante del conjunto de protección del ventilador (12), como se muestra en la figura D.
- ◆ Inserte el tubo de aspiración montado (5) en el hueco disponible del cabezal de la bomba (4), como se muestra en la figura E.
- ◆ Gire el tubo de aspiración montado en sentido horario de forma que la fijación de bayoneta se bloquee en su lugar, como se muestra en la figura F.
- ◆ Inserte el conector de la bolsa colectora (11) en el receptáculo del cabezal de la bomba (11a) como se muestra en la figura F.
- ◆ Coloque las correas de la bolsa colectora (10) sobre su hombro (fig. G). De este modo, soportará el peso adicional de la bolsa a medida que la mochila se llene.
- ◆ Coloque el tubo de aspiración ligeramente por encima de los restos u hojas.

Encienda el aparato pulsando hacia arriba el interruptor de encendido/apagado (1) (cuadro de la fig. H) y realice un movimiento de barrido; el tubo succionará los restos u hojas, que se enviarán a la bolsa colectora (10) (fig. H).

- ◆ A medida que la bolsa se llena, la potencia de succión disminuye. Apague el aparato y desconéctelo de la fuente de alimentación.
- ◆ Desenganche el gancho (10a) de la mochila recolectora (fig. I).
- ◆ Desdoble la apertura de la mochila colectora (fig. J).
- ◆ Abra la mochila colectora (fig. K) y vacíe su contenido.
- ◆ Para sellar la bolsa colectora, mantenga juntas las barras flexibles y gírelas 2-3 veces (fig. L).
- ◆ Enganche el clip de retención (10a) como se muestra en la figura M.

¡Advertencia! Nunca extraiga la bolsa colectora antes de apagar el aparato y desconectarlo de la fuente de alimentación.

Nota: Si la potencia de succión disminuye y la bolsa no está llena, es posible que el tubo de aspiración esté atascado con restos. Apague y desenchufe el aspirador y limpie el tubo antes de seguir utilizando el aparato.

- ◆ Cuando la tarea se haya completado, gire el tubo de aspiración montado en sentido antihorario para liberar la fijación de bayoneta. Inserte la varilla (14) en la liberación de la protección del ventilador (13) y pulse hacia arriba para liberar el tubo de aspiración montado. Retire el tubo de aspiración montado del cabezal motorizado, como se muestra en la figura N.
- ◆ Sustituya el conjunto de protección del ventilador como se muestra en la figura O.
- ◆ Gire el conjunto de protección del ventilador en sentido horario como se muestra en la figura P.

Modo de soplado (fig. Q, R, S, T)

- ◆ Monte el tubo de soplado superior (7), el tubo de soplado inferior (8) y el concentrador opcional (9), como se muestra en la figura Q.
- ◆ Presione el tubo de soplado montado dentro de la salida de la aspiradora (11a) hasta que el bloqueo se enganche firmemente con el tubo de soplado, como se muestra en la figura R.

¡Advertencia! Nunca utilice el modo de soplado sin el tubo de soplado colocado firmemente en su sitio.

- ◆ Sujete el tubo de soplado aproximadamente 180 mm por encima del nivel del suelo, encienda el aparato y avance lentamente mientras realiza un movimiento de barrido de lado a lado, a la vez que mantiene los restos y hojas acumulados enfrente de usted (fig. S).

- ◆ Una vez que haya soplado los residuos/hojas en un motón, puede quitar el montaje del tubo de soplado insertando la varilla (14) en la apertura de la carga de vacío y presionando para liberar el bloqueo, como se muestra en la figura T.
- ◆ Ahora puede pasar al modo de aspiración para recoger los residuos.

Resolución de problemas

Problema	Posible solución
Fallo de funcionamiento	Compruebe la conexión a la fuente de alimentación.
	Compruebe el fusible del enchufe y, si está fundido, sustitúyalo (solamente para el Reino Unido).
	Compruebe que el tubo de soplado/aspiración esté correctamente montado en la cabeza motriz.
	Si el fusible se sigue fundiendo, desconecte inmediatamente el aparato de la fuente de alimentación y póngase en contacto con el agente del servicio técnico autorizado de BLACK+DECKER.
Aspiración insuficiente/ chirrido agudo	Apague el producto y desconecte el producto de la fuente de alimentación. Los restos deberían expulsarse del tubo.
	Extraiga y vacíe la bolsa colectora.
	Compruebe que los puertos de entrada y salida del tubo de aspiración estén libres de obstrucciones.
	Extraiga cualquier resto del área del ventilador.
	Si la potencia de aspiración sigue siendo insuficiente, desconecte inmediatamente el producto de la fuente de alimentación y póngase en contacto con el agente del servicio técnico autorizado de BLACK+DECKER.

Mantenimiento

Su aparato BLACK+DECKER ha sido diseñado para funcionar durante un largo periodo de tiempo con un mantenimiento mínimo. El funcionamiento satisfactorio continuo depende del buen cuidado del aparato y de una limpieza frecuente.

- ◆ Mantenga el aparato limpio y seco.
- ◆ Retire cualquier hoja que haya quedado atascada dentro del tubo de aspiración.
- ◆ Limpie periódicamente las ranuras de ventilación con un cepillo limpio y seco.
- ◆ Limpie periódicamente la bolsa recolectora y asegúrese de que esté limpia y vacía después de cada uso.
- ◆ Para limpiar el aparato, utilice únicamente un jabón suave y un paño húmedo. Evite que penetre líquido en el interior de la herramienta y nunca sumerja ninguna parte de esta en líquido. No utilice limpiadores abrasivos o a base de disolventes.

- ◆ En este producto se han utilizado cojinetes autolubrificantes, por lo que no hay que lubricarlos.

Sustitución del enchufe de alimentación principal (solo Irlanda y Reino Unido)

Si debe colocar un nuevo enchufe de red:

- ◆ Tire el enchufe viejo según las normas de seguridad.
- ◆ Conecte el cable marrón al terminal conductor del nuevo enchufe.
- ◆ Conecte el cable azul al terminal neutro.

¡Advertencia! No deberá realizar ninguna conexión al terminal de tierra.

Siga las instrucciones de colocación suministradas con los enchufes de buena calidad.

Fusible recomendado: 13 A

Protección del medio ambiente



Recogida selectiva. Los productos y las baterías marcadas con este símbolo no se deben eliminar con los residuos domésticos normales.

Los productos y las baterías que contienen materiales que se puedan recuperar o reciclar reducen la demanda de materias primas. Recicle los productos eléctricos y las baterías de conformidad con la normativa local. Puede obtener más información en www.2helpU.com

Datos técnicos

		BEBLV290	BEBLV300
Voltaje de entrada	V _{CA}	230	230
Potencia de entrada	W	2900	3000
Capacidad	L	55	72
Peso (soplador)	kg	3,6	3,6
Peso (aspirador)	kg	4,4	4,4

Nivel de presión acústica de acuerdo con la norma EN 50636-2-100

Nivel de presión acústica en la posición del operador: (L_{PA}) 90,0 dB(A), incertidumbre (K) 1,2 dB(A)

Nivel de potencia acústica (L_{WA}) 102,5 dB (A), incertidumbre (K) 1,1 dB (A)

Valores totales de vibraciones (suma vectorial triaxial) de acuerdo con la norma EN 50636-2-100

Vibración (a_v) 3,0 m/s², incertidumbre (K) 1,8 m/s²

Declaración de conformidad CE

DIRECTIVA DE MÁQUINAS
DIRECTIVA SOBRE EL RUIDO EXTERIOR



BEBLV290, BEBLV300 - Soplador aspirador
Black & Decker declara que los productos descritos en "datos técnicos" cumplen las siguientes normas:
2006/42/CE, EN60335-1:2012+A11:2014;
EN50636-2-100:2014

2000/14/CE, Soplador aspirador, Anexo V
DEKRA Quality B.V., Utrechtseweg 310, 6802 ED Arnhem,
Países Bajos, ID del organismo notificado 0344

Nivel de potencia acústica de acuerdo con la directiva
2000/14/CE

(Artículo 13, Anexo III):

Nivel de potencia acústica: L_{WA}: 102,5 dB(A); K = 1,1 dB(A)

Nivel de potencia acústica garantizado: L_{WA}: 104 dB(A)

Estos productos también cumplen las Directivas 2014/30/UE y 2011/65/UE. Para más información, póngase en contacto con Black & Decker en la siguiente dirección o consulte la parte posterior del manual.

El que suscribe es responsable de la compilación del archivo técnico y realiza esta declaración en nombre de

Black & Decker.

Patrick Diepenbach

Patrick Diepenbach
Director General, Benelux
Black & Decker,
Egide Walschaertsstraat 14 - 18
2800 Malinas, Bélgica

24/11/2021

Garantía

Black & Decker confía en la calidad de sus productos y ofrece a los consumidores una garantía de 24 meses a partir de la fecha de compra. Esta garantía es adicional a sus derechos legales y no los menoscaba en modo alguno. La garantía es válida dentro de los territorios de los Estados Miembros de la Unión Europea y del Área de Libre Comercio Europea. Para reclamar la garantía, la reclamación se debe presentar de conformidad con las condiciones de Black & Decker. Tendrá que adjuntar un justificante de compra al vendedor o al agente técnico autorizado.

Las condiciones de la garantía de 2 años de Black & Decker y la ubicación de su agente de servicio técnico autorizado más cercano se pueden obtener en Internet en www.2helpU.com o poniéndose en contacto con su oficina local de Black & Decker en la dirección que se indica en este manual.

Visite nuestro sitio web www.blackanddecker.co.uk para registrar su nuevo producto Black & Decker y recibir noticias sobre nuevos productos y ofertas especiales.

Utilização prevista

Os aspiradores/sopradores BLACK+DECKER™ BEBLV290, BEBLV300 foram concebidos para limpar/aspirar folhas. Este equipamento destina-se apenas a uma utilização ao ar livre.

Avisos de segurança gerais para equipamentos eléctricos

Atenção! Quando utilizar equipamentos eléctricos/sem fio,

deve sempre cumprir medidas de segurança básicas, incluindo as seguintes, de modo a reduzir os riscos de incêndio, choque eléctrico, danos pessoais e materiais.

- ◆ Leia cuidadosamente o manual completo antes de utilizar este equipamento e familiarize-se com os respectivos controlos e utilização adequada.
- ◆ A utilização prevista está descrita neste manual. A utilização de qualquer acessório ou a execução de qualquer operação com este equipamento que não esteja incluída no presente manual de instruções poderá representar um risco de ferimentos pessoais.

A expressão "equipamento" em todos os avisos apresentados abaixo refere-se ao seu equipamento com ligação à corrente eléctrica (com cabo) ou com bateria (sem fios).

Guarde todos os avisos e instruções para futura referência.

Utilizar o equipamento

- ◆ **Tenha sempre cuidado quando utilizar este equipamento.**

- ◆ Mantenha a área de trabalho limpa e bem iluminada. As áreas desorganizadas ou escuras são propensas a acidentes.
- ◆ Utilize apenas o equipamento à luz do dia ou com uma boa luz artificial.
- ◆ Não utilize o equipamento em áreas com risco de explosão, nas quais se encontrem líquidos, gases ou poeiras inflamáveis.
- ◆ Nunca deixe crianças ou pessoas que não estejam familiarizadas com estas instruções utilizarem este equipamento, as normas locais podem restringir a idade do operador.
- ◆ Não deixe que crianças ou animais se aproximem da área de trabalho ou toquem no cabo de alimentação do equipamento.
- ◆ Mantenha as crianças, outras pessoas e animais afastados durante a utilização do equipamento. As distrações podem levar à perda do controlo da ferramenta.
- ◆ Este equipamento não deve ser utilizado como um brinquedo.
- ◆ Não mergulhe o equipamento dentro de água.
- ◆ Não abra a caixa do equipamento. O equipamento não tem peças no interior que possam ser reparadas pelo utilizador.

Segurança pessoal

- ◆ Mantenha-se atento, concentre-se no que está a fazer e tenha bom senso quando utilizar o equipamento.

Não utilize o equipamento se estiver cansado ou sob a influência de drogas, álcool ou medicamentos. Um momento de falta de atenção enquanto utiliza o equipamento poderá resultar em lesões graves.

- ◆ Sempre que necessário, utilize equipamento de protecção pessoal. Equipamento de protecção como, por exemplo, protecção para os olhos, máscara anti-poeiras, sapatos de segurança anti-derrapantes, capacete de segurança ou protecção auricular, de acordo com as condições adequadas reduz o risco de lesões.
- ◆ Evite arranques não intencional. Certifique-se de que o botão está desligado antes de ligar o equipamento à corrente eléctrica e/ou a bateria, ou antes de pegar ou transportar o equipamento. Transportar equipamentos com o dedo no botão ou ligar equipamentos à tomada com o interruptor na posição de ligado pode dar origem a acidentes.
- ◆ Não tente chegar a pontos fora do alcance. Mantenha sempre os pés bem apoiados e um equilíbrio apropriado. Assim, controlará melhor o equipamento em situações imprevistas.
- ◆ Use vestuário adequado. Não use roupa larga ou joias. Mantenha o cabelo, a roupa e as luvas afastados das peças móveis. As roupas largas, as jóias ou o cabelo comprido podem ficar presos nestas peças.

Utilização e manutenção do equipamento

- ◆ Antes da utilização verifique se há peças danificadas ou avariadas no equipamento. Verifique se há peças partidas, danos nos interruptores ou outro tipo de condições que possam afectar o funcionamento.
- ◆ Não utilize o equipamento se não conseguir ligar ou desligar o interruptor. Qualquer equipamento que não possa ser controlado com o interruptor é perigoso e terá de ser reparado.
- ◆ Desligue a ficha da fonte de alimentação e/ou a bateria do equipamento antes de proceder a ajustes, trocar acessórios ou guardar equipamentos. Estas medidas de segurança reduzem o risco de o equipamento ser ligado acidentalmente.
- ◆ Sempre que aplicável, mantenha as ferramentas de corte afiadas e limpas. As ferramentas de corte sujeitas a uma manutenção adequada, com arestas de corte afiadas, bloqueiam com menos frequência e controlam-se com maior facilidade.
- ◆ Não utilize o equipamento se alguma das peças estiver danificada ou avariada.
- ◆ Mandar reparar ou substituir quaisquer peças danificadas ou avariadas por um agente de reparação autorizado.

- ◆ Nunca tente retirar ou substituir quaisquer peças que não sejam as especificadas neste manual.

Segurança eléctrica

- ◆ As fichas do equipamento devem encaixar na tomada. Nunca modifique a ficha de forma alguma. Não utilize quaisquer fichas adaptadoras em equipamentos com ligação à terra. As fichas não modificadas e as tomadas compatíveis reduzem o risco de choque eléctrico.
- ◆ Não exponha o equipamento à chuva ou humidade. A penetração de água num equipamento aumenta o risco de choques eléctricos.
- ◆ Manuseie o cabo com cuidado. O cabo não deve ser utilizado para transportar ou pendurar o equipamento, nem para puxar a ficha da tomada. Mantenha o cabo afastado de fontes de calor, substâncias oleosas, arestas afiadas ou peças móveis. Os cabos danificados ou emaranhados aumentam o risco de choque eléctrico.
- ◆ Quando trabalhar com um equipamento ao ar livre, utilize uma extensão adequada para esse fim. A utilização de um cabo adequado para uso ao ar livre reduz o risco de choque eléctrico.
- ◆ Se for inevitável trabalhar com um equipamento num local húmido, utilize um dispositivo de corrente residual (RCD). A utilização de um RCD reduz o risco de choque eléctrico.

Após a Utilização

- ◆ Quando não for utilizado, o equipamento deve ser guardado num local seco e com boa ventilação, longe do alcance das crianças.
- ◆ As crianças não devem ter acesso a equipamentos armazenados.
- ◆ Se o equipamento for guardado ou transportado num veículo, deve ser colocado na bagageira ou fixado para evitar qualquer movimento devido a alterações súbitas na velocidade ou direcção.

Assistência

- ◆ O equipamento só deve ser reparado por pessoal qualificado e só devem ser colocadas peças sobressalentes originais. Isso garante a manutenção da segurança do equipamento.

Instruções de segurança adicionais aspiradores/sopradores de folhas

A utilização prevista para este equipamento está descrita no manual. A utilização de qualquer acessório ou a realização de qualquer operação com este equipamento que não se inclua no presente manual de instruções pode representar um risco de ferimentos pessoais e/ou danos materiais.

- ◆ Para proteger os pés e as pernas quando utilizar o equipamento, use sempre calçado robusto e calças compridas.

- ◆ Só deve utilizar o modo de vácuo quando os tubos de aspiração e o saco de recolha estiverem na devida posição.
- ◆ Desligue sempre o equipamento, aguarde até a ventoinha parar e retire a ficha da tomada se:
 - ◆ Mudar de soprador para aspirador.
 - ◆ O cabo de alimentação ficar danificado ou torcido.
 - ◆ Deixar o equipamento sem vigilância.
 - ◆ Retirar obstáculos.
 - ◆ Verificar, ajustar, limpar ou trabalhar com o equipamento.
 - ◆ Se o equipamento começar a vibrar de maneira anormal.
- ◆ Não coloque a entrada ou a saída do aspirador perto dos olhos ou ouvidos durante a utilização.
- ◆ Nunca sobre os resíduos na direcção de pessoas que se encontrem por perto.
- ◆ Se estiver a chover, não utilize o equipamento nem o deixe no exterior.
- ◆ Não atravesse caminhos ou estradas de gravilha quando o equipamento estiver ligado no modo de sopro/ aspiração.
- ◆ Ande, nunca corra.
- ◆ Não coloque a unidade em cima de gravilha enquanto estiver ligada.
- ◆ Tenha sempre cuidado ao deslocar-se, especialmente em terrenos inclinados.
- ◆ Não tente chegar a pontos fora do alcance e mantenha sempre o equilíbrio.

- ◆ Não recolha material que possa estar contaminado com líquidos inflamáveis ou combustíveis como gasolina ou utilizá-lo em áreas em que possam estar presentes.
- ◆ Não coloque quaisquer objectos nas aberturas do equipamento. Nunca utilize o equipamento se as aberturas estiverem obstruídas. Retire quaisquer cabelos, algodão, pó ou outros objectos que possam reduzir a circulação do ar longe das aberturas.

Atenção! Utilize sempre o equipamento da forma descrita neste manual.

O equipamento foi concebido para ser utilizado de um modo vertical e se for utilizado de outro modo pode provocar danos pessoais. Nunca coloque o equipamento em funcionamento quando estiver pousado lateralmente ou virado ao contrário.

- ◆ O operador ou o utilizador são responsáveis por acidentes ou perigos que possam ocorrer a outras pessoas ou bens.
- ◆ Não transporte o equipamento pelo cabo.
- ◆ Direcione sempre o cabo para a traseira, longe do equipamento.

Atenção! Se um cabo se danificar durante a utilização, desligue de imediato o equipamento da fonte de alimentação eléctrica.

Não toque no cabo de alimentação antes de desligar da fonte de alimentação eléctrica.

- ◆ Não utilize dissolventes ou líquidos de limpeza para limpar o equipamento.

Utilize uma raspadeira para remover a relva e a sujidade.

- ◆ Verifique regularmente se o saco de recolha apresenta sinais de desgaste ou deterioração.
- ◆ As ventoinhas de substituição estão disponíveis no seu técnica de assistência BLACK+DECKER. Utilize apenas peças de substituição e acessórios recomendados pela BLACK+DECKER.
- ◆ Mantenha todas as porcas, parafusos e Pernos do equipamento apertados para garantir um bom funcionamento.

Segurança de terceiros

- ◆ Este equipamento pode ser utilizado por crianças com 8 anos de idade ou mais e por pessoas que apresentem capacidades físicas, sensoriais ou mentais reduzidas ou que não possuam os conhecimentos e a experiência necessários, se forem vigiadas e instruídas acerca da utilização do equipamento de uma forma segura e compreenderem os perigos envolvidos. As crianças não devem mexer no equipamento. A limpeza e manutenção não deverão ser efectuadas por crianças sem supervisão.
- ◆ As crianças devem ser vigiadas para garantir que não brincam com o equipamento.

Segurança eléctrica



Este equipamento tem um isolamento duplo e, por isso, não é necessário um fio de terra.

Verifique sempre se a tensão da tomada de electricidade corresponde à tensão indicada na placa com os requisitos de alimentação da ferramenta.

- ◆ Se o cabo de alimentação estiver danificado, deve ser substituído pelo fabricante ou por um Centro de Assistência autorizado da BLACK+DECKER, para evitar situações de perigo.
- ◆ A segurança eléctrica pode ser melhorada mediante a utilização de um dispositivo de corrente residual (RCD) de alta sensibilidade (30 mA).

Utilizar um cabo de extensão

Utilize sempre um cabo de extensão aprovado, adequado à entrada de alimentação da ferramenta (consulte os dados técnicos). O cabo de extensão tem de ser adequado para utilização exterior, possuindo a respectiva marcação. Pode utilizar um cabo de extensão HO5V V-F de 1.5 mm² até 30 m sem perda do desempenho do equipamento. Antes da utilização, verifique se o cabo de extensão apresenta sinais de envelhecimento, danos ou desgaste. Substitua o cabo de extensão se este se encontrar danificado ou avariado. Ao utilizar uma bobina de cabo, desenrole sempre o cabo na íntegra.

Riscos residuais

Podem surgir riscos residuais adicionais durante a utilização da ferramenta, que poderão não constar nos avisos de segurança incluídos.

Estes riscos podem resultar de má utilização, uso prolongado, etc. Mesmo com a aplicação das regulamentações de segurança relevantes e implementação de dispositivos de segurança, existem alguns riscos residuais que não podem ser evitados. Estes incluem:

- ◆ Ferimentos causados pelo contacto com peças em rotação/movimento.
- ◆ Ferimentos causados durante a substituição de peças, lâminas ou acessórios.
- ◆ Ferimentos causados pela utilização prolongada de uma ferramenta. Se utilizar uma ferramenta durante períodos prolongados, certifique-se de que faz pausas regularmente.
- ◆ Danos auditivos.
- ◆ Problemas de saúde causados pela inalação de poeiras resultantes da utilização da ferramenta (exemplo: trabalhos em madeira, especialmente carvalho, faia e MDF).

Vibração

Os valores de emissão de vibração declarados na secção de dados técnicos e na declaração de conformidade foram medidos de acordo com o método de teste padrão fornecido pela EN EN50636 e podem ser utilizados para comparar ferramentas. O valor de emissão de vibração declarado pode ainda ser utilizado numa avaliação preliminar de exposição.

Atenção! O valor de emissão de vibração durante a utilização real da ferramenta eléctrica pode ser diferente do valor declarado, dependendo da forma como a ferramenta é utilizada. O nível de vibração pode aumentar acima do nível indicado.

Quando avaliar a exposição da vibração para determinar as medidas de segurança exigidas pela Directiva 2002/44/CE para proteger pessoas que utilizem regularmente ferramentas eléctricas na sua actividade profissional, deve ser considerada uma estimativa de exposição de vibração, as condições reais de utilização e o modo de utilização da ferramenta, incluindo ainda todas as partes do ciclo de funcionamento, como os períodos de inactividade e espera da ferramenta, além do tempo de funcionamento.

Rótulos no equipamento

Os seguintes pictogramas, assim como o código de data, estão indicados na ferramenta.



Atenção! Antes de utilizar o equipamento, leia o manual.



Utilize óculos ou viseiras de protecção quando utilizar este equipamento.



Utilize protecções auditivas adequadas quando utilizar este equipamento.



Não exponha a ferramenta à chuva ou humidade elevada, nem a deixe no exterior.



Para desligar: retire a ficha da tomada eléctrica antes de proceder à limpeza ou manutenção do equipamento.



Desligue a ficha de alimentação se o cabo estiver danificado ou emaranhado.



Esteja atento à projecção de objectos.



Mantenha os transeuntes afastados.



A potência sonora está em conformidade com a Directiva 2000/14/CE.

Componentes

Este equipamento inclui algumas ou todas as seguintes características.

1. Interruptor para ligar/desligar - controlo da velocidade
2. Pega frontal
3. Pega traseira
4. Cabeça motora
5. Tubo de aspiração superior
6. Tubo de aspiração inferior
7. Tubo de sopro superior
8. Tubo de sopro inferior
9. Concentrador
10. Saco de recolha
11. Conector do saco

Utilização do equipamento

Atenção! Quando utilizar um aspirador ou soprador, utilize sempre óculos de protecção. Durante a utilização em ambientes com poeira, utilize também uma máscara com filtro.

Atenção! Desligue o equipamento, deixe que a ventoinha pare e remova a ficha da tomada antes de fazer qualquer ajuste ou operação de manutenção.

Montagem



Atenção! Antes da montagem, certifique-se de que o equipamento está desligado e que não está ligado à corrente eléctrica.



Atenção! Utilize sempre luvas de protecção ao trabalhar com o aspirador/soprador.

Montagem do tubo de aspiração (Fig. A)

Os tubos de vácuo devem ser montados em conjunto antes de serem utilizados.

Atenção! Não utilize o equipamento com os tubos de aspiração em separado.

- ◆ Para facilitar a montagem, aplique uma solução de água com sabão na área de junção.
- ◆ Alinhe os entalhes (5a) e os triângulos (6a) nos tubos de aspiração superior (5) e inferior (6).
- ◆ Pressione o tubo de aspiração inferior (6) com firmeza para dentro do tubo de aspiração superior (5) até os triângulos emitirem um som "clique" de encaixe.

Atenção! Não separe os tubos depois de serem montados.

Modo de aspiração (Fig. B, C, D, E, F, G, H, I, J, K, L, M)

- ◆ Rode o conjunto da cobertura da ventoinha para a esquerda (Fig. B).
- ◆ Insira a haste (14) (fornecida) na patilha de libertação da cobertura da ventoinha (13) e empurre-a para cima para libertar o conjunto da cobertura da ventoinha (12), como indicado na Figura C.
- ◆ Encaixe o conjunto da cobertura da ventoinha (12), como indicado na Figura D.
- ◆ Insira o tubo do aspiração montado (5) na saliência da cabeça motora (4), como indicado na Figura E.
- ◆ Rode para a direita o tubo de aspiração montado para que a fixação tipo baioneta encaixe na devida posição, como indicado na Figura E.
- ◆ Insira o conector do saco de recolha (11) no receptáculo da cabeça motora (11a), como indicado na Figura F.
- ◆ Coloque as correias do saco de recolha (10) sobre os ombros (Fig. G) para suportar melhor o peso adicional do saco, à medida que for enchendo.
- ◆ Posicione o tubo de aspiração ligeiramente acima dos resíduos/folhas. Pressione o interruptor para ligar/desligar (1) para cima para ligar o equipamento (Fig. H) e movimente-se como se estivesse a varrer; os resíduos/folhas são sugados pelo tubo e atirados para dentro do saco de recolha (10) (Fig. H).
- ◆ À medida que o saco enche, a potência de sucção diminui. Desligue o equipamento e retire a ficha da tomada eléctrica.
- ◆ Desencaixe a lingueta (10a) no saco de recolha da mochila (Fig. I).
- ◆ Desdobre a abertura do saco de recolha da mochila (Fig. J).
- ◆ Abra o saco de recolha da mochila (Fig. K) e esvazie o conteúdo.
- ◆ Para fechar o saco de recolha, segure nas barras flexíveis e enrole-as 2-3 vezes (Fig. L).
- ◆ Feche o clipe de fixação (10a), como indicado na Figura M.

Atenção! Nunca remova o saco de recolha sem desligar o equipamento e retirar a ficha da tomada eléctrica.

Nota: Se a sucção diminuir e o saco não estiver cheio, o tubo de vácuo poderá estar obstruído com resíduos. Desligue o equipamento, retire a ficha da tomada eléctrica e desobstrua o tubo antes de continuar.

- ◆ Quando terminar a limpeza, rode o tubo de aspiração montado para a esquerda para libertar a fixação tipo baioneta. Insira a haste (14) na patilha de libertação da cobertura da ventoinha (13) e empurre para cima para libertar o tubo de aspiração montado. Retire o tubo de aspiração montado da cabeça motora, como indicado na Figura N.
- ◆ Volte a colocar o conjunto da cobertura da ventoinha, como indicado na Figura O.
- ◆ Rode o conjunto da cobertura da ventoinha para a direita, como indicado na Figura P.

Modo de sopro (Fig. Q, R, S, T)

- ◆ Monte o tubo de sopro superior (7), o tubo de sopro inferior (8) e o concentrador opcional (9), como indicado na Figura Q.
- ◆ Empurre o tubo de sopro montado na saída de aspiração (11a) até a patilha de bloqueio encaixar com firmeza no tubo de sopro, como indicado na Figura R.

Atenção! Nunca ligue o equipamento no modo de sopro sem o tubo de sopro correctamente colocado.

- ◆ Segure no tubo de sopro a cerca de 180 mm acima do chão, ligue o equipamento e, com um movimento pendular, avance lentamente mantendo os resíduos/ folhas à sua frente (Fig. S).
- ◆ Depois de fazer uma pilha com os resíduos/folhas, pode retirar o conjunto do tubo de sopro inserindo a haste (14) para dentro da abertura na cabeça de vácuo e empurrando para baixo para libertar o sistema de bloqueio, como indicado na Figura T.
- ◆ Agora pode mudar para o modo de vácuo e recolher os resíduos.

Resolução de problemas

Problema	Possível solução
Erro de funcionamento	Verifique a ligação à corrente eléctrica
	Verifique o fusível na ficha, se estiver fundido, substitua-o (apenas Reino Unido).
	Verifique se o tubo de vácuo/sopro está correctamente montado na cabeça de potência.
	Se o fusível continuar fundido, desligue a ficha de imediato da corrente eléctrica e consulte o seu agente de reparação autorizado local da BLACK+DECKER.

Aspiração com pouca força/ruído agudo (silvo)	Desligue o equipamento e retire a ficha da tomada eléctrica, os resíduos devem cair directamente no tubo.
	Remova e esvazie o saco de recolha.
	Verifique se as portas de entrada e saída no tubo de aspiração estão desimpedidas.
	Remova quaisquer resíduos da área de ventilação.
	Se a aspiração continuar sem força – desligue de imediato o equipamento da corrente eléctrica e consulte o seu agente autorizado BLACK+DECKER local

Manutenção

O equipamento BLACK+DECKER foi concebido para funcionar durante um longo período de tempo com uma manutenção mínima.

Uma utilização continuamente satisfatória depende de uma manutenção apropriada e de uma limpeza regular da ferramenta.

- ◆ Mantenha o equipamento limpo e seco.
- ◆ Remova quaisquer folhas que estejam presas dentro do tubo de aspiração.
- ◆ Limpe regularmente as ranhuras de ventilação com um pincel limpo e seco.
- ◆ Limpe regularmente o saco de recolha e certifique-se de que este é limpo e esvaziado após cada utilização.
- ◆ Para limpar o equipamento, utilize apenas sabão suave e um pano húmido. Nunca permita a entrada de líquidos na ferramenta e nunca mergulhe nenhuma parte da ferramenta em líquido. Não utilize produtos de limpeza abrasivos ou à base de dissolventes.
- ◆ São utilizados rolos de lubrificação automática no equipamento; deste modo, a lubrificação não é necessária.

Substituição da ficha de alimentação (apenas Reino Unido e Irlanda)

Se for necessário instalar uma nova ficha de alimentação:

- ◆ Elimine com segurança a ficha usada.
- ◆ Ligue o cabo castanho ao terminal activo da nova ficha.
- ◆ Ligue o cabo azul ao terminal neutro.

Atenção! Não deve ser efetuada qualquer ligação ao terminal de terra.

Siga as instruções de instalação fornecidas com fichas de boa qualidade.

Fusível recomendado: 13 A.

Protecção do ambiente



Faça uma recolha de lixo seletiva. Os produtos e as baterias assinalados com este símbolo não devem ser eliminados juntamente com o lixo doméstico normal.

Os produtos e as pilhas contêm materiais que podem ser recuperados ou reciclados, reduzindo assim a necessidade de matérias-primas.

Recicle os produtos eléctricos e as pilhas de acordo com as disposições locais. Estão disponíveis mais informações em www.2helpU.com

Dados técnicos

		BEBLV290	BEBLV300
Tensão de entrada	V _{CA}	230	230
Alimentação	W	2900	3000
Capacidade	L	55	72
Peso (soprador)	kg	3,6	3,6
Peso (aspirador)	kg	4,4	4,4

Nível de pressão acústica de acordo com a EN 50636-2-100

Nível de pressão sonora na posição do operador: (L_{PA}) 90,0 dB(A), imprecisão (K) 1,2 dB(A)

Nível de potência acústica (L_{WA}) 102,5 dB(A), imprecisão (K) 1,1 dB(A)

Valores totais de vibração (soma vectores triax) de acordo com a EN 50636-2-100

Vibração (a_v) 3,0 m/s², imprecisão (K) 1,8 m/s²

Declaração de conformidade CE

DIRETIVA "MÁQUINAS"
DIRECTIVA SOBRE RUIDO EXTERIOR



BEBLV290, BEBLV300 - Aspirador/soprador

A Black & Decker declara que os produtos descritos nos

"dados técnicos" estão em conformidade com:
2006/42/CE, EN60335-1:2012+A11:2014;
EN50636-2-100:2014

2000/14/CE, Aspirador/Soprador, Anexo V

DEKRA Quality B.V., Utrechtseweg 310, 6802 ED Arnhem,
N.º de ID do Organismo Notificado dos Países Baixos: 0344
Nível de potência acústica em conformidade com 2000/14/CE
(Artigo 13, Anexo III):

Nível de potência sonora: L_{WA}: 102,5 dB(A); K=1,1 dB(A)

Nível de potência sonora garantido: L_{WA}: 104 dB(A)

Estes produtos estão também em conformidade com a Diretiva 2014/30/UE e 2011/65/UE. Para obter mais informações, contacte a Black & Decker através do endereço seguinte ou consulte o verso do manual.

O abaixo assinado é responsável pela compilação do ficheiro técnico e faz esta declaração em nome da Black & Decker.

Patrick Diepenbach

Patrick Diepenbach
Director General, Benelux
Black & Decker,
Egide Walschaertsstraat 14 - 18
2800 Malinas, Bélgica
24/11/2021

Garantia

A Black & Decker confia na qualidade dos seus produtos e oferece aos clientes uma garantia de 24 meses a partir da data de compra. Esta garantia é um complemento dos seus direitos estabelecidos por lei, não os prejudicando de forma alguma. A garantia é válida nos Estados-membros da União Europeia e nos países-membros da Zona Europeia de Comércio Livre.

Para acionar a garantia, esta deve estar em conformidade com os termos e condições da Black&Decker e terá de apresentar o comprovativo de compra ao vendedor ou a um agente de reparação autorizado.

Os termos e condições da garantia de 2 anos da Black&Decker e a localização do agente de reparação autorizado mais próximo podem ser obtidos na Internet em www.2helpU.com ou pode contactar uma filial da Black & Decker, cuja morada está indicada neste manual.

Visite o nosso Website www.blackanddecker.co.uk para registar o novo produto Black & Decker e manter-se atualizado relativamente a novos produtos e ofertas especiais.

Avsedd användning

Din BLACK+DECKER™ BEBLV290, BEBLV300 lövblåssugare har designats för lövrensning. Dessa apparater är endast avsedd för konsumentbruk utomhus.

Allmänna säkerhetsanvisningar för redskapet

Varning! Vid användning av sladdanslutna/sladdlösa

apparater ska grundläggande säkerhetsanvisningar, inklusive nedanstående, alltid följas för att minska risken för brand, elektriska stötar, person- och materialskador.

- ◆ Läs hela bruksanvisningen noggrant innan du använder apparaten. Bekanta dig med reglagen och ta reda på hur apparaten ska användas.
- ◆ Avsedd användning beskrivs i denna bruksanvisning. Använd inte apparaten med andra tillbehör eller tillsatser än de som rekommenderas i den här bruksanvisningen eftersom detta kan leda till personskador.

Begreppet "apparat" som använts i alla varningar nedan syftar på nätdrivna apparater (med nätsladd) eller batteridrivna (sladdlösa) apparater. Spara alla varningar och instruktioner för framtida referens.

Spara alla säkerhetsföreskrifter och anvisningar för framtida bruk.**Använda apparaten**

- ◆ Var alltid försiktig när du använder apparaten.
- ◆ Håll arbetsområdet rent och ordentligt upplyst. Belamrade och mörka områden inbjuder till olyckor.

- ◆ Använd endast apparaten i dagsljus eller i tillräcklig artificiell belysning.
- ◆ För att undvika explosionsrisk bör du inte använda apparaten i omgivningar med brandfarliga vätskor, gaser eller damm.
- ◆ Låt aldrig barn eller personer som inte har läst instruktionerna använda apparaten. Det kan finnas lokala bestämmelser om åldersgräns för användaren.
- ◆ Låt inte barn eller djur komma i närheten av arbetsområdet. Låt dem inte heller röra vid apparaten eller elsladden.
- ◆ När du arbetar med apparaten ska barn, åskådare och djur hållas på betryggande avstånd. Distractioner kan göra att du förlorar kontrollen.
- ◆ Apparaten ska inte användas som leksak.
- ◆ Sänk aldrig apparaten i vatten.
- ◆ Öppna inte höljet. Det finns inga användarservicebara delar på insidan.

Personlig säkerhet

- ◆ Var uppmärksam, se på vad du gör och använd apparaten med förnuft. Använd inte en apparat när du är trött eller om du är påverkad av droger, alkohol eller mediciner. Även en kort stunds ouppmärksamhet under användningen kan leda till allvarliga kroppsskador.
- ◆ Använd personlig skyddsutrustning där det krävs.

Rätt använd personlig skyddsutrustning, t.ex. skyddsglasögon, dammfiltermask, halkfria säkerhetsskor, hjälm och hörselskydd, minskar risken för kroppsskada.

- ◆ Förhindra oavsiktlig start. Se till att strömbrytaren står i avstängt läge innan ansluter apparaten till elnätet och/eller sätter i batteriet samt innan du tar upp eller bär den. Olyckor kan inträffa om du bär apparaten med fingret på strömbrytaren eller kopplar den till nätet eller sätter i batteriet med strömbrytaren i till-läge.
- ◆ Böj dig inte för långt. Ha ordentligt fotfäste och balans hela tiden. På så sätt kan du lättare kontrollera apparaten i oväntade situationer.
- ◆ Klä dig på lämpligt sätt. Bär inte lösa kläder eller smycken. Håll hår, beklädnad och handskar borta från delar i rörelse. Lösa kläder, smycken eller långt hår kan fastna i rörliga delar.

Användning och skötsel av apparaten

- ◆ Kontrollera att apparaten är hel och att inga delar är skadade innan du använder den. Kontrollera att inga delar är trasiga, att strömbrytaren fungerar och att inget annat föreligger som kan påverka dess funktion.
- ◆ Använd inte apparaten om den inte kan startas och stängas av med strömbrytaren.

En apparat som inte kan kontrolleras av strömbrytaren är farlig och måste repareras.

- ◆ Dra stickkontakt ur vägguttaget och/ eller ta ur batteriet ur apparaten innan inställningar utförs, tillbehörsdelar byts eller apparaten ställs undan. Därmed undviker du risken för oavsiktlig start av apparaten.
- ◆ Håll skärverktyg (där det finns) skarpa och rena. Korrekt underhållna kapverktyg med vassa skär är mindre troliga att de fastnar och är lättare att kontrollera.
- ◆ Använd inte apparaten om någon del har skadats eller gått sönder.
- ◆ Låt en auktoriserad reparatör reparera eller byta ut skadade eller defekta delar.
- ◆ Försök aldrig ta bort eller byta ut andra delar än de som anges i den här bruksanvisningen.

Elsäkerhet

- ◆ Apparatsens stickkontakt måste passa till vägguttaget. Modifiera aldrig kontakten på något sätt. Använd inte adapterkontakter tillsammans med jordade apparater. Icke modifierade kontakter och passande uttag minskar risken för elektrisk stöt.
- ◆ Skydda apparaten mot regn och väta. Om vatten tränger in en apparat ökar risken för elektriska stötar.
- ◆ Hantera nätsladden varsamt. Använd inte sladden för att bära eller dra apparaten och inte heller för att dra ut kontakten ur vägguttaget.

Håll sladden borta från värme, olja, skarpa kanter eller rörliga delar. Skadade eller tilltrasslade sladdar ökar risken för elektrisk stöt.

- ◆ Använd endast förlängningsladdar som är godkända för utomhusbruk när du arbetar med apparater utomhus. Användning av en sladd som är lämplig för utomhusbruk minskar risken för elektriska stötar.
- ◆ Om du måste använda en apparat på en fuktig plats ska ett uttag som skyddas av jordfelsbrytare användas. Användning av en jordfelsbrytare minskar risken för elektrisk stöt.

Efter användning

- ◆ När den inte används ska apparaten förvaras på en torr plats med god ventilation och utom räckhåll för barn.
- ◆ Barn ska inte ha tillgång till apparater under förvaring.
- ◆ När apparaten förvaras eller transporteras i en bil ska det placeras i bagageutrymmet eller spännas fast så att det inte rör sig vid plötsliga ändringar av hastighet eller riktning.

Service

- ◆ Apparaten ska bara repareras av utbildade reparatörer som endast använder originalreservdelar. Då vet du att apparaten förblir säker.

Ytterligare säkerhetsinstruktioner för lövblåssugare

Avsedd användning beskrivs i den här bruksanvisningen.

Om andra tillbehör eller tillsatser används eller om någon annan åtgärd än de som rekommenderas i den här bruksanvisningen utförs med apparaten kan personer och/eller egendom skadas.

- ◆ Skydda fötter och ben när du använder apparaten genom att alltid bära kraftiga skor och långbyxor.
- ◆ Använd inte uppsugningsläge utan att sugröret och uppsamlare är monterade.
- ◆ Slå alltid av produkten, låt fläkten stanna och dra kontakten ur uttaget om:
 - ◆ Du byter från blås- till sugfunktion.
 - ◆ Strömsladden har skadats eller trasslat till sig.
 - ◆ Du lämnar produkten utan tillsyn.
 - ◆ Du tar bort ett stopp.
 - ◆ Du kontrollerar, justerar, rengör eller utför annat arbete på produkten.
 - ◆ Apparaten börjar vibrera på ett onormalt sätt.
- ◆ Ha inte insugnings- eller utblåsningshålet i närheten av ögon eller öron under arbetet.
- ◆ Blås aldrig skräp mot någon.
- ◆ Apparaten bör inte användas när det regnar eller lämnas utomhus när det regnar.
- ◆ Gå inte över grusgångar eller grusvägar när produkten är påslagen eller när du använder blås- eller sugfunktionen.
- ◆ Gå med produkten. Spring aldrig.
- ◆ Lägg inte enheten på grus medan den är påslagen.

- ◆ Se alltid till så att du har ett bra fotfäste, särskilt i sluttningar.
- ◆ Sträck dig inte för långt och håll alltid balansen.
- ◆ Samla inte upp material som kan innehålla antändningsbara eller brännbara vätskor, t.ex. bensin, och använd inte apparaten i områden där sådana kan finnas.
- ◆ Stoppa inte in några föremål i öppningarna. Använd aldrig apparaten om öppningarna är blockerade. Håll borta hår, ludd, damm och annat som kan minska luftflödet.

Varning! Använd alltid produkten på det sätt som beskrivs i den här handboken. Produkten är avsedd att användas i upprätt läge. Om den används på något annat sätt kan det orsaka personskador. Använd aldrig produkten om den ligger på sidan eller upp och ned.

- ◆ Användaren ansvarar för olyckor och risker som andra människor eller deras egendom utsätts för.
- ◆ Bär inte apparaten i sladden.
- ◆ Håll alltid sladden riktad bakåt, bort från apparaten.

Varning! Om en sladd skadas när du använder apparaten kopplar du omedelbart bort sladden från elnätet. Rör inte vid sladden innan du har dragit ut den ur uttaget.

- ◆ Använd inte lösnings- eller rengöringsmedel när du rengör produkten. Ta bort gräs och smuts från apparaten med ett trubbigt skrapverktyg.

- ◆ Kontrollera ofta att uppsamlaren inte är utsliten eller har skadats.
- ◆ Utbytesfläktar finns att köpa hos BLACK+DECKER serviceombud. Använd endast reservdelar och tillbehör som rekommenderas av BLACK+DECKER.
- ◆ För säker användning av redskapet ska du se till att alla muttrar, bultar och skruvar är ordentligt åtdragna.

Säkerhet för andra

- ◆ Denna apparat kan användas av barn från 8 år och personer med nedsatt fysisk eller psykisk förmåga eller bristande erfarenhet eller kunskap, om de övervakas eller får instruktioner om hur apparaten används på ett säkert sätt och är medvetna om riskerna. Barn ska inte leka med apparaten. Rengöring och användarunderhåll ska inte utföras av barn utan övervakning.
- ◆ Barn ska hållas under uppsikt så att de inte leker med apparaten.

Elsäkerhet



Eftersom apparaten är dubbelisolerat behövs ingen jordledare.

Kontrollera alltid så att spänningen på nätet motsvarar den spänning som finns angiven på märkplåten.

- ◆ Om nätsladden är skadad så måste den bytas ut av tillverkaren eller en auktoriserad BLACK+DECKER-verkstad för att undvika risker.

- ◆ Elsäkerheten kan förbättras ytterligare genom att man använder en jordfelsbrytare med hög känslighet (30 mA).

Använda förlängningssladd

Använd alltid en godkänd förlängningssladd som klarar verktygets ineffekt (se Tekniska data). Förlängningssladden måste vara lämplig för utomhusbruk och märkt därefter. Det går att använda en 1.5 mm² HO5V V-F-förlängningssladd som är upp till 30 m lång utan spänningsförlust. Innan du använder sladden, kontrollera att den inte är skadad, sliten eller nött. Byt ut förlängningssladden om den är skadad eller defekt. Om du använder en sladdvinda, vira alltid av sladden fullständigt.

Återstående risker

Ytterligare risker som inte finns med i de bifogade säkerhetsanvisningarna kan uppstå när verktyget används. Dessa risker kan uppstå vid felaktig användning, långvarig användning, osv. Även om relevanta säkerhetsföreskrifter följs och säkerhetsanordningar monteras kan vissa risker inte undvikas. Dessa omfattar:

- ◆ Skador orsakade av att roterande/rörliga delar vidrörs.
- ◆ Skador som uppstår vid byte av delar, klinga eller tillbehör.
- ◆ Skador som orsakas av en långvarig användning av ett verktyg.

Se till att regelbundet ta vilopauser när du använder ett verktyg under en lång period.

- ◆ Hörselnedsättning.
- ◆ Hälsorisker orsakade av inandning av damm när redskapet används (exempel: arbete med trä, särskilt ek, bok och MDF.).

Vibrationer

De vibrationsvärden som anges i avsnitten Tekniska data och deklarationen om överensstämmelse har uppmätts i enlighet med en standardtestmetod föreskriven i EN50636 och kan användas för jämförelse med andra verktyg. Det angivna vibrationsvärdet kan även användas för en preliminär bedömning av exponeringen.

Varning! Vibrationsvärdet under faktisk användning av elverktyget kan skilja sig från det uppgivna värdet beroende på hur verktyget används. Vibrationsnivån kan överstiga den uppgivna nivån.

Vid uppskattningar av exponering för vibrationer i syfte att bedöma vilka säkerhetsåtgärder som är nödvändiga enligt 2002/44/EG för att skydda personer som regelbundet använder elverktyg i arbetet ska man utgå från de faktiska omständigheter under vilka elverktyget används och sättet på vilket det används. Bedömningen ska även ta hänsyn till alla moment i arbetscykeln, t.ex. när verktyget är avstängt och när det går på tomgång såväl som när det faktiskt används.

Etiketter på apparaten

Följande symboler tillsammans med datumkoden visas på verktyget.



Varning! Läs bruksanvisningen innan användning.



Bär alltid skyddsglasögon när du använder denna apparat.



Bär alltid hörselskydd när du använder apparaten.



Exponera inte redskapet för regn eller hög luftfuktighet och lämna det inte utomhus när det regnar.



Avstängning: dra ut kontakten ur nätuttaget före rengöring eller underhåll.



Koppla ifrån elkontakten om sladden skadas eller traslar ihop sig.



Se upp för flygande föremål.



Håll åskådare borta.



Garanterad ljudnivå enligt direktiv 2000/14/EG.

Funktioner

Denna apparat har några eller samtliga av följande funktioner.

1. Strömbrytare - hastighetskontroll
2. Främre handtag
3. Bakre handtag
4. Motorhuvud
5. Övre sugrör
6. Nedre sugrör
7. Övre blåsror
8. Nedre blåsror
9. Koncentrator
10. Uppsamlarsäck
11. Säckanslutning

Använda produkten

Varning! Bär alltid skyddsglasögon när du använder blås- eller sugfunktionen.

Bär en skyddsmask när du arbetar i dammiga miljöer.

Varning! Slå alltid av produkten, låt fläkten stanna och dra kontakten ur uttaget innan du gör justeringar eller utför service eller underhåll.

Montering



Varning! Se till att apparaten är avstängd och urkopplad innan du påbörjar monteringen.



Varning! Använd alltid skyddshandskar när du arbetar med lövblossugaren.

Sätta ihop sugröret (bild A)

Sugrören måste sättas ihop innan du använder apparaten.

Varning! Använd inte apparaten om sugrören inte är hopsatta.

- ◆ Underlätta hopsättningen genom att stryka tvålvattenlösning på fogområdet.
- ◆ Passa in skårorna (5a) och trianglarna (6a) på den övre (5) och den nedre (6) sugrören mot varandra.
- ◆ Tryck in det nedre sugröret (6) ordentligt i det övre sugröret(5) tills trianglarna klickar på plats.

Varning! Ta inte isär rören när de har satts ihop.

Sugläge (bild B, C, D, E, F, G, H, I, J, K, L, M)

- ◆ Vrid fläktskyddmontaget moturs såsom visas i bild B.
- ◆ För in stängen (14) (medföljer) i fläktskyddets utlösningsmekanism (13) och skjut uppåt för att lossa fläktskyddsmontaget (12) såsom visas i bild C.
- ◆ Sänk fläktskyddsmontaget (12) framåt såsom visas i bild D.
- ◆ Sätt i det monterade sugröret (5) i det tillgängliga uttaget på motorhuvudet (4) såsom visas i bild E.
- ◆ Vrid det monterade sugröret medurs så att bajonettfästet låses på plats såsom visas i bild E.
- ◆ Sätt i uppsamlarens anslutning (11) på motorhuvudetets honuttag (11a) såsom visas i bild F.
- ◆ Placera remmarna från uppsamlaren (10) över axlarna (bild G). Det ger stöd för den extra vikten när uppsamlaren fylls.
- ◆ Placera sugröret något ovanför skräpet/löven. Slå på apparaten genom att skjuta strömbrytaren (1) uppåt (bild H insats) och gör en svepande rörelse. Skräpet/löven sugs upp i röret och hamnar sedan i uppsamlaren (10) (bild H).
- ◆ När uppsamlaren fylls upp minskar sugkraften. Stäng av apparaten och koppla bort den från nätuttaget.
- ◆ Lossa haken (10a) på rygsäckens uppsamlarsäck (bild I).
- ◆ Öppna öppningen på rygsäckens uppsamlarsäck (bild J).
- ◆ Öppna rygsäckens uppsamlingsäck (bild K) och fortsätt med att tömma ut dess innehåll.
- ◆ För att försegla uppsamlaren, håll de flexibla stängerna tillsammans och rulla 2-3 gånger (bild L).
- ◆ Haka fast låsklämman (10a) såsom visas i bild K.

Varning! Ta aldrig bort uppsamlaren utan att först stänga av apparaten och koppla bort den från nätuttaget.

Notera: Om sugkraften minskar och uppsamlaren inte är full är troligen sugröret igensatt av skräp. Stäng av apparaten och dra ut nätsladden och rensa röret innan du fortsätter.

- ◆ När arbetet är klar, vrid det monterade sugröret moturs för att lossa bajonettfästet. Sätt i stängningen (14) i fläktskyddets låsmekanism (13) och skjut uppåt för att lossa det monterade sugröret. Ta bort det monterade sugröret från motorhuvudet såsom visas i bild N.
- ◆ Sätt tillbaka fläktskyddmontaget framåt såsom visas i bild O.
- ◆ Vrid fläktskyddmontaget moturs såsom visas i bild P.

Blåsläge (bild Q, R, S, T)

- ◆ Montera det över blåsroret (7) med det nedre blåsroret (8) och den optimala koncentratorn (9) såsom visas i bild Q.
- ◆ Tryck in den hopsatta blåsroret i utblåsningshålet (11a) tills låsanordningen fäster blåsroret såsom visas i bild R.

Varning! Använd aldrig blåsläge utan att blåsroret och fläkthölet sitter fast på plats.

- ◆ Håll blåsroret cirka 180 mm ovanför marken, slå på apparaten och rör den från sida till sida med en svepande rörelse. Gå sakta framåt och håll det hopsamlade skräpet eller löven framför dig (bild S).
- ◆ När du blåst skräpet/löven i en hög kan du ta bort blåsroret genom att sätta in stängningen (14) i apparaten på sughuvudet och skjuta nedåt för att lossa låset såsom visas i bild T.
- ◆ Nu kan du ändra till sugläge och samla upp skräpet.

Felsökning

Problem	Möjlig lösning
Apparaten fungerar inte	Kontrollera anslutningen till strömkällan
	Kontrollera säkringen i kontakten, och om den har gått, byt ut den (endast Storbritannien).
	Kontrollera att blås-/sugröret är korrekt monterat på motorhuvudet.
	Om säkringen fortsätter att gå kopplar du omedelbart bort apparaten från nätuttaget och kontaktar din lokala, auktoriserade BLACK+DECKER-reparatör.
Apparaten suger dåligt/högt, vinande ljud	Stäng av apparaten och koppla bort från nätuttaget. Skräpet bör falla ut ur röret.
	Ta bort och töm uppsamlaren.
	Kontrollera att både ingången och utgången på sugröret är fria från skräp.
	Avlägsna allt skräp runt fläkten.
	Om apparaten fortsätter att suga dåligt kopplar du omedelbart bort apparaten från nätuttaget och kontaktar din lokala auktoriserade BLACK+DECKER-reparatör

Underhåll

Din BLACK+DECKER-apparat är konstruerad för att fungera under lång tid med ett minimum av underhåll.

Kontinuerlig tillfredsställande drift beror på ordentlig apparatvård och regelbunden rengöring.

- ◆ Håll apparaten ren och torr.
- ◆ Ta bort löv som har fastnat inuti sugröret.
- ◆ Rengör regelbundet ventilationsöppningarna med en ren och torr målarborste.
- ◆ rengör regelbundet uppsamlaren och se till att den är ren och tom efter varje användning.
- ◆ Använd bara mild tvål och en fuktig trasa för att rengöra apparaten. Låt aldrig någon vätska komma in i verktyget och doppa det aldrig i någon vätska. Använd aldrig något slipande eller lösningsmedelsbaserat rengöringsmedel.
- ◆ Produkten har självsmörjande lager så ingen smörjning krävs.

Byte av elkontakten (endast Storbritannien och Irland)

Om en ny elkontakt måste monteras:

- ◆ Gör dig av med den gamla kontakten på lämpligt sätt.
- ◆ Anslut den bruna ledningen till den strömförande anslutningen i den nya kontakten.
- ◆ Anslut den blå ledningen till den icke strömförande anslutningen.

Varning! Ingenting bör kopplas till jordanslutningen.

Följ de monteringsanvisningar som följer med kontakter av god kvalitet.

Rekommenderad säkring: 13 A.

Skydda miljön



Separat insamling. Produkter och batterier som är markerade med denna symbol får inte kastas i de vanliga hushållssoporna.

Produkter och batterier innehåller material som kan återanvändas eller återvinnas för att minska behovet av råmaterial.

Återvinn elektriska produkter och batterier enligt lokala föreskrifter. Närmare information finns tillgänglig på www.2helpU.com

Tekniska data

		BEBLV290	BEBLV300
Inspänning	V _{AC}	230	230
Ineffekt	W	2900	3000
Kapacitet	L	55	72
Vikt (blås)	kg	3,6	3,6
Vikt (sug)	kg	4,4	4,4

Ljudnivå enligt EN 50636-2-100

Ljudtrycksnivå vid operatörens position: (L_{pA}) 90,0 dB(A), osäkerhet (K) 1,2 dB(A)Ljudtrycksnivå (L_{WA}) 102,5 dB(A), osäkerhet (K) 1,1 dB(A)

Totala vibrationsvärden (vektorsumman av tre axlar) enligt EN 50636-2-100

Vibration (a_w) < 3,0 m/s², osäkerhet (K) 1,8 m/s²

EG-försäkran om överensstämmelse

MASKINDIREKTIVET
BULLERFÖRESKRIFTER, UTMOMHUS

BEBLV290, BEBLV300 - Lövlåssug

Black & Decker försäkrar att dessa produkter, beskrivna under

"tekniska data" uppfyller:

2006/42/EG, EN60335-1:2012+A11:2014; EN50636-2-100:2014

2000/14/EG, Lövlåssugare, Bilaga V
DEKRA Quality B.V., Utrechtseweg 310, 6802 ED Arnhem,
Nederländernas anmälda organ, id-nr: 0344Akustisk effekt enligt 2000/14/EG
(Artikel 13, bilaga III):Ljudtrycksnivå: L_{WA}: 102,5 dB(A); K= 1,1 dB(A)Garanterad akustisk effektnivå: L_{WA}: 104 dB(A)Dessa produkter överensstämmer även med direktiven
2014/30/EU och 2011/65/EU. Kontakta Black & Decker för
ytterligare information på följande adress, eller se handbokens
baksida.Undertecknad är ansvarig för sammanställningen av den
tekniska filen och lämnar denna deklaration på uppdrag av
Black & Deckers.*Patrick Diepenbach*Patrick Diepenbach
General Manager, Benelux
Black and Decker,
Egide Walschaertsstraat 14-18
2800 Mechelen, Belgien

24/11/2021

Garanti

Black & Decker är säkra på kvaliteten hos denna produkt och erbjuder kunder 24 månaders garanti från inköpsdatumet. Garantin gäller utöver konsumentens rättigheter enligt lag och påverkar inte dessa. Garantin är giltig i de områden som tillhör medlemsstaterna i

Europeiska unionen och det europeiska frihandelsområdet. För yrkande under garantin måste yrkandet vara in enlighet med Black&Deckers villkor och du kommer att behöva skicka in bevis på köpet till försäljaren eller en auktoriserad reparatör. Villkoren för Black & Deckers tvååriga garanti och var du hittar din närmaste auktoriserade reparatör kan erhållas på Internet på www.2helpU.com, eller genom att kontakta ditt lokala Black & Decker-kontor på adressen som angetts i denna manual. Besök vår webbplats www.blackanddecker.se för att registrera din nya Black & Decker-produkt samt för att få information om nya produkter och specialerbjudanden.(OVERSETTELSE AV DE OPPRINNELIGE
INSTRUKSJONENE)

NORSK

Beregnet bruk

BLACK+DECKER™ BEBLV290 og BEBLV300 blåser/-suger er konstruert for å fjerne løv. Disse verktøyene er bare beregnet som konsumentverktøy og bare til utendørs bruk.

Generelle sikkerhetsadvarsler
for apparater**Advarsel!** Ved bruk av
nettdrevne/batteridrevneapparater, må du alltid ta grunnleggende
forholdsregler når det gjelder sikkerhet,
blant annet dem som er beskrevet
nedenfor, for å redusere risikoen for
brann, elektrisk støt, personskade og
materiell skade.

- Les hele denne håndboken nøye før du bruker apparatet og gjør deg kjent med betjeningen og riktig bruk av apparatet.
- Beregnet bruk er beskrevet i denne håndboken. Hvis du bruker annet tilbehør, kobler til annet utstyr eller bruker dette apparatet til andre oppgaver enn det som er anbefalt i denne håndboken, kan det føre til fare for personskade.

Begrepet "apparat" i alle advarslene som er oppgitt nedenfor, gjelder nettdrevet apparat (med ledning) eller batteridrevet apparat (uten ledning).

Ta vare på alle advarsler og instruksjoner for fremtidig bruk.

Bruke produktet

- ◆ **Vær alltid forsiktig når du bruker apparatet.**
- ◆ Hold arbeidsområdet rent og godt opplyst. Rotete eller mørke områder er en invitasjon til ulykker.
- ◆ Bruk apparatet bare i dagslys eller godt kunstig lys.
- ◆ Ikke bruk apparatet i eksplosjonsfarlige omgivelser, som for eksempel der det befinner seg brennbare væsker, gass eller støv.
- ◆ La aldri barn eller personer som ikke kjenner instruksjonene, bruke apparatet. Lokale bestemmelser kan begrense alderen til brukeren.
- ◆ Pass på at barn og dyr ikke kommer i nærheten av arbeidsområdet, og at de ikke berører apparatet eller strømledningen.
- ◆ Hold barn, andre personer og dyr unna når du bruker apparatet. Distraksjoner kan føre til at du mister kontrollen.
- ◆ Apparatet skal ikke brukes som leketøy.
- ◆ Ikke senk apparatet ned i vann.
- ◆ Ikke åpne apparatet. Verktøyet inneholder ingen deler som kan vedlikeholdes av brukeren.

Personsikkerhet

- ◆ Vær oppmerksom, pass på hva du gjør, og gå fornuftig frem når du bruker et apparat. Ikke bruk et apparat når du er trett eller er påvirket av narkotika, alkohol eller medikamenter. Et øyeblikks uoppmerksomhet under bruk av verktøyet kan føre til alvorlige personskader.
- ◆ Bruk personlig verneutstyr når det er nødvendig. Verneutstyr som beskyttelsesbriller, støvmaske, sklisikre vernesko, hjelm eller hørselsvern som passer til forholdene, reduserer risikoen for personskader.
- ◆ Forhindre utilsiktet start. Kontroller at bryteren står i posisjon "av" før du kobler til en strømkilde og/eller batteripakke, og før du tar opp eller bærer apparatet. Det kan føre til ulykker hvis du bærer apparater med fingeren på bryteren, eller tilfører strøm til apparater når bryteren står på.
- ◆ Ikke strekk deg for langt. Ha godt fotfeste og stå støtt hele tiden. Da kan du kontrollere apparatet bedre i uventede situasjoner.
- ◆ Bruk egnet arbeidstøy. Ikke ha på deg løstsittende klær eller smykker. Hold hår, antrekk og hansker borte fra bevegelige deler. Løstsittende klær, smykker og langt hår kan bli fanget opp av bevegelige deler.

Bruk og behandling av apparater

- ◆ Kontroller at maskinen ikke er skadet eller har defekte deler før du bruker det. Undersøk om brytere eller andre deler er skadet, eller om det er andre forhold som kan påvirke bruken.
- ◆ Ikke bruk apparatet hvis det ikke kan slås på og av med bryteren. Et apparat som ikke kan slås på eller av med bryteren, er farlig og må repareres.
- ◆ Trekk støpselet ut av stikkontakten og/eller koble batteripakken fra apparatet før du utfører innstillinger, bytter tilbehør eller lagrer apparatet. Disse forebyggende sikkerhetstiltakene reduserer risikoen for utilsiktet start av apparatet.
- ◆ Hold skjæreverktøy skarpe og rene der det er mulig å komme til. Godt vedlikeholdte skjæreverktøy med skarpe skjærekanten setter seg mindre sannsynlig fast og er lettere å kontrollere.
- ◆ Ikke bruk produktet hvis noen del er skadet eller defekt.
- ◆ Overlat reparasjon eller utskifting av skadde eller defekte deler til et autorisert serviceverksted.
- ◆ Forsøk aldri å fjerne eller skifte ut andre deler enn dem som er oppgitt i denne håndboken.

Elektrisk sikkerhet

- ◆ Apparatstøpselet må passe i stikkontakten. Aldri modifier støpselet på noen måte.

Ikke bruk adapterstøpsler sammen med jordede apparater.

Umodifiserte støpsler og stikkontakter som passer vil redusere risikoen for elektrisk sjokk.

- ◆ Hold apparatet unna regn eller fuktighet. Dersom det kommer vann inn i et apparat, øker faren for elektrisk støt.
- ◆ Unngå uforsvarlig behandling av ledningen. Bruk aldri ledningen til å bære eller trekke apparatet eller til å trekke ut støpselet. Hold ledningen borte fra varme, olje, skarpe kanter eller bevegelige deler. Skadede eller innviklede ledninger øker risikoen for elektrisk sjokk.
- ◆ Når du arbeider utendørs med et apparat, må du bruke en skjøteledning som er egnet for utendørs bruk. Bruk av en skjøteledning beregnet for utendørs bruk reduserer risikoen for elektrisk støt.
- ◆ Hvis du ikke kan unngå å bruke et apparat på et fuktig sted, bruker du strømforsyning som er beskyttet med jordfeilbryter. Bruk av jordfeilbryter (RCD) reduserer risikoen for elektrisk støt.

Etter bruk

- ◆ Når apparatet ikke er i bruk, skal det oppbevares på et tørt og godt ventilert sted og utilgjengelig for barn.
- ◆ Barn skal ikke ha tilgang til apparater som oppbevares.

- ◆ Når apparatet oppbevares eller transporteres i et kjøretøy, bør det plasseres i bagasjerommet eller festes, slik at det ikke beveger seg når kjøretøyet brått endrer hastighet eller retning.

Service

- ◆ Apparatet skal alltid repareres av kvalifisert personell og kun med originale reservedeler. Dette sikrer at apparatets sikkerhet opprettholdes.

Ytterligere sikkerhetsinstruksjoner for blåsere/sugere

Beregnet bruk er beskrevet i denne håndboken. Hvis du bruker annet tilbehør, kobler til annet utstyr eller bruker dette produktet til andre oppgaver enn det som er anbefalt i denne håndboken, kan det føre til fare for personskade og/eller skade på eiendom.

- ◆ Bruk alltid kraftig fottøy og lange bukser mens du bruker produktet, for å beskytte føttene og bena.
- ◆ Skal ikke brukes i sugemodus uten at sugerør og oppsamlingspose er montert.
- ◆ Slå alltid av produktet, la viften stoppe og ta støpselet ut av kontakten når:
 - ◆ Du bytter fra blåsing til suging.
 - ◆ Strømledningen er blitt skadet eller sitter fast.
 - ◆ Du forlater produktet uten tilsyn.
 - ◆ Fjerne blokkering.
 - ◆ Kontrollere, justere, rengjøre eller arbeide på produktet.

- ◆ Apparatet begynner å vibrere unormalt.
- ◆ Ikke plasser inntaket eller uttaket for sugerør i nærheten av øyne eller ører når det er i bruk.
- ◆ Blås aldri avfall mot personer som står i nærheten.
- ◆ Må ikke brukes i regnvær, og må heller ikke settes igjen ute mens det regner.
- ◆ Ikke kryss grusganger eller -veier mens produktet er slått på i blåse/suge-modus.
- ◆ Gå, løp aldri.
- ◆ Ikke sett enheten ned på grus når den er slått på.
- ◆ Pass på at du alltid har godt fotfeste, særlig i skråninger.
- ◆ Ikke strekk deg for langt, og pass på balansen hele tiden.
- ◆ Ikke sug opp ting som kan være forurenset av brennbare eller lett antennelige væsker, for eksempel bensin, og ikke bruk verktøyet i områder der slike kan forekomme.
- ◆ Ikke plasser noen gjenstander i åpningene. Bruk aldri produktet hvis åpningene er blokkert. Hold dem frie for hår, lo, støv og alt som kan redusere luftstrømmen.

Advarsel! Bruk alltid produktet på den måten som er forklart i denne håndboken.

Produktet er konstruert for å bli brukt i loddrett stilling, og hvis det brukes på annen måte, kan det oppstå personskade. Kjør aldri produktet mens det ligger på siden eller er opp-ned.

- ◆ Operatøren eller brukeren er ansvarlig for ulykker eller farer andre personer eller deres eiendom blir utsatt for.
- ◆ Du må ikke bære produktet i kabelen.
- ◆ Før alltid kabelen bakover og bort fra produktet.

Advarsel! Hvis en ledning blir skadet under bruk, må du øyeblikkelig koble produktet fra strømmettet.

Ikke ta på strømledningen før den er koblet fra stikkontakten.

- ◆ Ikke bruk løsemidler eller rengjøringsvæsker til å rengjøre produktet. Bruk et butt skraperedskap for å fjerne gress og jord.
- ◆ Kontroller oppsamlingsposen ofte for slitasje eller misforming.
- ◆ Du får kjøpt reservevifter hos BLACK+DECKER-serviceverkstedet. Bruk bare reservedeler og tilbehør som anbefales av BLACK+DECKER.
- ◆ Pass på at alle muttere og skruer er godt tilskrudd, så du sikrer at produktet er i trygg arbeidsmessig stand.

Andre personers sikkerhet

- ◆ Dette apparatet kan brukes av barn som er 8 år eller eldre samt av personer som har reduserte fysiske, sansemessige eller mentale evner, eller som mangler erfaring og kunnskap, hvis de har tilsyn eller har fått veiledning i bruk av apparatet på en trygg måte og forstår farene som foreligger. Barn skal ikke leke med apparatet. Rengjøring og brukervedlikehold skal ikke utføres av barn uten tilsyn.

- ◆ Barn må holdes under oppsyn, sørg for at de ikke leker med apparatet.

Elektrisk sikkerhet



Dette apparatet er dobbeltisolert. Jording er derfor ikke nødvendig.

Kontroller alltid at strømforsyningen samsvarer med spenningen på merkeskiltet.

- ◆ Hvis strømledningen blir skadet, må den byttes av produsenten eller et autorisert BLACK+DECKER-servicesenter for å unngå fare.
- ◆ Strømsikkerheten kan forbedres ytterligere ved bruk av jordfeilbryter på 30 mA med høy følsomhet (RCD).

Bruke skjøteledning

Bruk alltid en godkjent skjøteledning som passer til inngangseffekten for dette verktøyet (se tekniske data). Skjøteledningen må passe for utendørs bruk og skal være merket i samsvar med dette. Opptil 30 m 1,5 mm² HO5V V-F-skjøteledning kan brukes uten tap av ytelse for produktet. Før bruk må du undersøke skjøteledningen for tegn på skade, slitasje og aldring. Bytt skjøteledningen hvis den er skadet eller defekt. Vikle alltid ut kabelen fullstendig når du bruker en kabeltrommel.

Restrisikoer

Når verktøyet brukes, kan det oppstå ytterligere risikoer som kanskje ikke er beskrevet i de medfølgende sikkerhetsadvarslene.

Disse risikoene kan bli forårsaket av feil bruk, langvarig bruk osv. Selv når du følger relevante sikkerhetsforskrifter og bruker sikkerhetsutstyr, er det visse gjenværende risikoer som ikke kan unngås. Disse inkluderer:

- ◆ Personskader som forårsakes av berøring av en roterende/bevegelig del.
- ◆ Personskader som oppstår ved skifte av deler, blader eller tilbehør.
- ◆ Personskader som skyldes for lang tids bruk av verktøyet. Når du bruker et verktøy i lange perioder, må du sørge for å ta regelmessige pauser.
- ◆ Hørselskader.
- ◆ Helsefarer forårsaket av innånding av støv som utvikler seg når du bruker verktøyet (eksempel: arbeid med tre, spesielt eik, bøk og MDF).

Vibrasjon

Vibrasjonsemisjonsverdien som er angitt under tekniske data og samsvarserklæring, er blitt målt i henhold til en standard testmetode som er angitt i EN50636, og kan brukes til å sammenligne et verktøy med et annet. Den oppgitte vibrasjonsemisjonsverdien kan også brukes til en foreløpig vurdering av eksponering.

Advarsel! Vibrasjonsemisjonsverdien under faktisk bruk av elektroverktøyet kan avvike fra den oppgitte verdien avhengig av måten verktøyet blir brukt på. Vibrasjonsnivået kan øke over nivået som er oppgitt.

Når det vurderes vibrasjonseksponering for å avgjøre hvilke sikkerhetstiltak som kreves ifølge 2002/44/EF, for å beskytte personer som bruker elektroverktøy regelmessig til arbeidsformål, skal det, når vibrasjonseksponeringen anslås, tas hensyn til de faktiske bruksforholdene og måten verktøyet blir brukt på. Dette inkluderer å ta hensyn til alle deler av brukssyklusen, for eksempel når verktøyet er avslått, når det går på tomgang og når avtrekkeren er trykket inn.

Merking på produktet

De følgende symbolene sammen med datokode vises på apparatet.



Advarsel! Les håndboken før bruk.



Benytt vernebriller når du bruker dette produktet.



Benytt passende hørselvern når du bruker dette produktet.



Ikke utsett verktøyet for regn eller høy fuktighet, og sett det ikke igjen ute mens det regner.



Trekk støpselet ut av kontakten før rengjøring eller vedlikehold.



Ta ut støpselet dersom strømkabelen er skadet eller floket.



Se opp for gjenstander som kastes rundt.



Hold andre personer unna.



Garantert lydeffekt i henhold til direktiv 2000/14/EU.

Funksjoner

Dette apparatet har noen av eller alle funksjonene nedenfor.

1. På/av bryter - hastighetskontroll
2. Fronthåndtak
3. Bakre håndtak
4. Effekthode
5. Øvre sugerør
6. Nedre sugerør
7. Øvre blåserør
8. Nedre blåserør
9. Konsentrator
10. Oppsamlingspose
11. Oppsamlingspose

Bruke produktet

Advarsel! Benytt alltid vernebriller når du bruker produktet til å blåse eller suge. Hvis det er støv der det brukes, benytter du også en maske med filter.

Advarsel! Slå av produktet, la viften stoppe og ta ut kontakten av støpselet før du utfører justering, behandling eller vedlikehold.

Montering



Advarsel! Før monteringen må du passe på at maskinen er slått av, og at kontakten er trukket ut.



Advarsel! Bruk alltid vernehansker når du arbeider med løvsamleren.

Montering av sugerør (figur A)

Sugerørene må settes sammen før bruk.

Advarsel! Ikke bruk maskinen med sugerørene skilt fra hverandre.

- ◆ Bruk såpevann på skjotedelen for å lette monteringen.
- ◆ Plasser hakkene (5a) og knastene (6a) på øvre (5) og nedre (6) del av sugerøret i forhold til hverandre.
- ◆ Skyv nedre del (6) av sugerøret fast inn i øvre del (5) av sugerøret til knastene klikker på plass.

Advarsel! Ikke skill rørene når de er satt sammen.

Sugemodus (figur B, C, D, E, F, G, H, I, J, K, L, M)

- ◆ Roter viftebeskyttelsesmodulen mot klokken (figur B).
- ◆ Sett inn stangen (14) (følger med) i utløseren for viftebeskyttelsen (13) og skyv opp for å løsne viftebeskyttelsesmodulen (12) som vist i figur C.
- ◆ Vipp viftebeskyttelsesmodulen (12) forover som vist i figur D.
- ◆ Sett inn det sammensatte blåserøret (5) i det ledige sporet i effekthodet (4) som vist i figur E.
- ◆ Roter det sammensatte sugerøret med klokken slik at bajonettlåsen låses på plass som vist i figur E.
- ◆ Installer oppsamlingsposen (11) på effekthodet (11a) som vist i figur F.

- ◆ Plasser stroppen fra oppsamlingsposen (10) over skulderen (figur G). Dette vil bidra til å bære den ekstra vekten når oppsamlingsposen fylles.
- ◆ Plasser sugerøret litt over avfallet/løvet. Slå på enheten ved å trykke på/av bryteren (1) opp (figur H, detalj), og bruk en feiende bevegelse. Avfall/løv vil bli sugd opp gjennom røret og kastet i oppsamlingsposen (10) (figur H).
- ◆ Etter hvert som posen fylles, vil styrken i sugingen avta. Slå av produktet og trekk ut støpselet fra kontakten.
- ◆ Klips av låsen (10a) på ryggsekkposen (figur I).
- ◆ Fold ut åpningen på ryggsekkposen (figur J).
- ◆ Åpne ryggsekkposen (figur K) og tøm ut innholdet.
- ◆ For å lukke ryggsekkposen, hold de fleksible stengene sammen og rull 2-3 ganger (figur L).
- ◆ Låse festeklipset (10a) som vist i figur M.

Advarsel! Du må aldri fjerne oppsamlingsposen uten å slå av produktet og trekke ut støpselet.

Merk: Hvis sugingen avtar og posen ikke er full, er sannsynligvis sugerøret tettet med avfall. Slå av løvsamleren, trekk ut kontakten og åpne røret før du fortsetter.

- ◆ Når du er ferdig, roter det sammensatte blåserøret mot klokken for å løsne bajonettingen. Sett staven (14) i utløseren for viftebeskyttelsen (13) og skyv opp for å løsne det sammensatte sugerøret. Ta av det sammensatte sugerøret fra effekthodet som vist i figur N.
- ◆ Skift ut viftebeskyttelsesmodulen som vist i figur O.
- ◆ Roter viftebeskyttelsen med klokken som vist i figur P.

Blåsemodus (figur Q, R, S, T)

- ◆ Monter øvre blåserør (7), nedre blåserør (8) og den ekstra konsentratoren (9) som vist i figur Q.
- ◆ Skyv det sammensatte blåserøret inn på sugeuttaket (11a) til låsen griper sikkert i blåserøret som vist i figur R.

Advarsel! Bruk aldri løvsamleren i blåsemodus uten at blåserøret er sikkert festet.

- ◆ Hold blåserøret ca. 180 mm over bakken, slå på produktet, og benytt en feiende bevegelse fra side til side. Beveg deg langsomt fremover, og hold oppsamlet rusk/løv foran deg (figur S).
- ◆ Når du har blåst sammen rusk/løv i en haug, kan du ta av blåserørmodulen ved å sette inn staven (14) i åpningen på sugehodet og skyve ned for å løsne låsen som vist i figur T.
- ◆ Så kan du skifte til sugemodus og samle opp løvhaugen.

Feilsøking

Problem	Mulig løsning
Virker ikke	Kontroller tilkoblingen til strømkilden
	Kontroller sikringen i støpselet. Hvis den er gått, bytter du den (bare Storbritannia).
	Kontroller at blåse-/sugerørheten er korrekt montert på motorenheten.
	Hvis sikringen fortsetter å gå, kobler du straks fra strømmettet og tar kontakt med ditt lokale autoriserte BLACK+DECKER-serviceverksted.
Dårlig suging / hvinende høy lyd	Slå av og koble fra strømmettet. Avfall skal falle unna røret.
	Ta av og tøm oppsamlingsposen.
	Kontroller at både inntak og uttak på sugerøret er åpne.
	Fjern eventuelt avfall fra viteområdet.
	Hvis verktøyet fortsetter å suge dårlig, kobler du straks fra strømmettet og tar kontakt med et autoriserte BLACK+DECKER-serviceverksted

Vedlikehold

Ditt BLACK+DECKER -produkt er konstruert for å være i drift over lengre tid med et minimum av vedlikehold.

Kontinuerlig tilfredsstillende bruk avhenger av ordentlig stell av apparatet og regelmessig renhold.

- ◆ Hold apparatet rent og tørt.
- ◆ Fjern eventuelt løv som sitter fast inni sugerøret.
- ◆ Rengjør ventilasjonsporene regelmessig med en ren, tørr malerkost.
- ◆ Rengjør oppsamlingsposen regelmessig og kontroller at den er ren og tom etter hver gangs bruk.
- ◆ Maskinen rengjøres bare med mild såpe og en fuktig klut. La det aldri komme væske inn i verktøyet og senk aldri noen deler av verktøyet ned i væske. Ikke bruk slipende eller løsemiddelbaserte rengjøringsmidler.
- ◆ Det er benyttet selvsmerende lagre i produktet, og derfor trenger det ingen smøring.

Skitte støpsel (bare Storbritannia og Irland)

Dersom du trenger å sette på et nytt støpsel:

- ◆ Kast det gamle støpselet på en trygg måte.
- ◆ Koble den brune ledningen til den strømførende terminalen i det nye støpselet.
- ◆ Koble den blå ledningen til den nøytrale terminalen.

Advarsel! Jordingslederen skal ikke kobles til.

Følg monteringsanvisningen som medfølger støpsler av god kvalitet.

Anbefalt sikring: 13 A.

Miljøvern



Separat avfallshåndtering. Produkter og batterier merket med dette symbolet skal ikke kastes i vanlig husholdningsavfall.

Produkter og batterier inneholder materialer som kan gjenbrukes eller gjenvinnes for å redusere behovet for nye råmaterialer.

Vennligst lever elektrisk utstyr og batterier til gjenbruk i henhold til lokale regler. Mer informasjon finner du på www.2helpU.com

Tekniske data

		BEBLV290	BEBLV300
Inngangsspenning	V_{AC}	230	230
Inngangseffekt	W	2900	3000
Kapasitet	L	55	72
Vekt (blåsing)	kg	3,6	3,6
Vekt (suging)	kg	4,4	4,4

Lydtrykksnivå i henhold til EN 50636-2-100

Lydtrykknivå ved brukerens posisjon: (L_{pA}) 90,0 dB(A), usikkerhet (K) 1,2 dB(A)
Lydeffekt (L_{WA}) 102,5 dB(A), usikkerhet (K) 1,1 dB(A)

Totale vibrasjonsverdier (triax vektorsum) i samsvar med EN 50636-2-100

Vibrasjon (a_v) 3,0 m/s², usikkerhet (K) 1,8 m/s²

EF-samsvarserklæring

MASKINDIREKTIVET
DIREKTIV FOR UTENDØRSSTØY



BEBLV290, BEBLV300 - Blåser/suger
Black & Decker erklærer at disse produktene, som er

beskrevet under "Tekniske data", er i samsvar med:

2006/42/EC, EN60335-1:2012+A11:2014;

EN50636-2-100:2014

2000/14/EF, løvsamler, vedlegg V

DEKRA Quality B.V., Utrechtseweg 310, 6802 ED Arnhem,

ID-nummer for varslet organ ID nr.: 0344

Lydeffektnivå i henhold til 2000/14/EF

(Artikkel 13, vedlegg III):

Lydeffekt: L_{WA} : 102,5 dB(A); K : 1,1 dB(A)

Garantert lydeffektnivå: L_{WA} : 104 dB(A)

Disse produktene er også i samsvar med direktiv 2014/30/EU og 2011/65/EU. Hvis du ønsker mer informasjon, kan du kontakte Black & Decker på adressen under eller se baksiden av bruksanvisningen.

NORSK

(Oversettelse av de opprinnelige instruksjonene)

Undertegnede er ansvarlig for sammenstillingen av den tekniske filen og fremsetter denne erklæringen på vegne av

Black & Decker.



Patrick Diepenbach
General Manager, Benelux
Black and Decker,
Egide Walschaertsstraat 14-18
2800 Mechelen, Belgia
24/11/2021

Garanti

Black & Decker er trygg på kvaliteten av produktene sine og tilbyr en 24 måneders garanti fra kjøpsdato. Denne garantierklæringen kommer i tillegg til dine lovbestemte rettigheter og er ikke i konflikt med disse. Garantien er gyldig innen områdene tilhørende medlemslandene i den Europeiske Union (EU) og det Europeiske Frihandelsområdet (EFTA).

For å ta garantien i bruk må kravet være i samsvar med kjøpsbetingelsene fra Black&Decker og du må vise kjøpskvittering til forhandleren eller til et autorisert serviceverksted.

Betingelsene for Black&Deckers 2 års garanti og adressen til din nærmeste autoriserte serviceverksted kan du finne på internett under www.2helpU.com, eller ved å kontakte ditt lokale Black & Decker kontor, adressen er angitt i denne bruksanvisningen.

Besøk våre nettsider på www.blackanddecker.no for å registrere ditt nye Black & Decker-produkt og for å få informasjon om nye produkter og spesialtilbud.

(Oversættelse af de oprindelige instruktioner)

DANSK

Tilsigtet brug

Dine BLACK+DECKER™ BEBLV290 og BEBLV300 løvsugere er konstrueret til at fjerne blade. Disse apparater er kun beregnet til privat og udendørs brug.

Generelle sikkerhedsadvarsler for apparatet



Advarsel! Ved brug af apparater, der forsynes med strøm via forsyningsnettet/ trådløse apparater, er det vigtigt, at grundlæggende sikkerhedsforholdsregler, herunder bl.a. nedenstående, altid følges for at mindske risikoen for brand, elektrisk stød, kvæstelser og materiel skade.

- ◆ Læs hele denne vejledning omhyggeligt, før du bruger apparatet, sæt dig ind i dets betjeningsanordninger og korrekt brug af apparatet.
- ◆ Den tilsigtede brug er beskrevet i denne vejledning. Brugen af ekstraudstyr eller tilbehør eller udførelse af andet arbejde med dette apparat end det, der anbefales i denne vejledning, kan udgøre en fare for kvæstelser.

Udtrykket "apparat", der benyttes i alle nedenstående advarsler, henviser til netdrevne apparater (med netledning) eller batteridrevne apparater (trådløs).

Gem alle advarsler og instruktioner til fremtidig reference.

Brug af apparatet

- ◆ Vær altid opmærksom ved brugen af apparatet.

- ◆ Sørg for, at arbejdsområdet er rent og godt oplyst. Rodede eller mørke områder giver anledning til ulykker.
- ◆ Brug kun apparatet i dagslys eller ved god kunstig belysning.
- ◆ Brug ikke apparatet i eksplosive omgivelser, f.eks. hvor der er brændbare væsker, gasser eller støv.
- ◆ Lad ikke børn eller personer, der ikke har læst denne vejledning, benytte apparatet. Lokale regler kan begrænse brugerens alder.
- ◆ Lad ikke børn eller dyr komme i nærheden af arbejdsområdet eller røre ved apparatet eller netledningen.
- ◆ Hold børn, omkringstående og dyr på afstand, når der arbejdes med et apparat. Distractioner kan medføre, at du mister kontrollen.
- ◆ Apparatet må ikke bruges som legetøj.
- ◆ Apparatet må ikke nedsænkes i vand.
- ◆ Kabinettet må ikke åbnes. Der er ingen dele indeni, der kan serviceres af brugeren.

Personsikkerhed

- ◆ Vær opmærksom, hold øje med, hvad du laver, og brug apparatet fornuftigt. Brug ikke et apparat, hvis du er træt eller påvirket af stoffer, medicin eller alkohol. Et øjeblik uopmærksomhed under brug af et apparat kan medføre alvorlige kvæstelser.
- ◆ Brug om nødvendigt personligt sikkerhedsudstyr.

Brug af værnemidler som f.eks. øjenbeskyttelse, støvmaske, skridsikkert fodtøj, beskyttelseshjelm eller høreværn nedsætter risikoen for personskader, hvis udstyret anvendes korrekt.

- ◆ Sørg for, at værktøjet ikke kan starte utilsigtet. Kontroller, at afbryderkontakten står på slukket, inden apparatet sluttes til en strømkilde og/eller batteriet, samles op eller bæres. Bæres apparatet, mens fingeren er på kontakten, eller tilsluttes det, mens kontakten står på tændt, kan der nemt ske en ulykke.
- ◆ Undlad at række for langt. Hold hele tiden en god fodstilling og balance. Så har du bedre styr på apparatet, hvis der opstår uventede situationer.
- ◆ Bær hensigtsmæssig påklædning. Bær ikke løst tøj eller smykker. Hold dit hår, tøj og handsker væk fra bevægelige dele. Løstsiddende tøj, smykker eller langt hår kan blive fanget i bevægelige dele.

Brug og vedligeholdelse af apparater

- ◆ Kontroller apparatet for beskadigede eller defekte dele før brug. Se efter knækkede dele, skader på kontakter og eventuelle andre tilstande, der kan påvirke apparatets funktion.
- ◆ Brug ikke apparatet, hvis afbryderen er defekt. Apparatet, der ikke kan afbrydes, er farligt og skal repareres.

- ◆ Træk stikket ud af stikkontakten og/eller batteriet inden indstilling, tilbehørsudskiftning eller opbevaring af apparatet. Disse sikkerhedsforanstaltninger reducerer risikoen for utilsigtet start af apparatet.
- ◆ Hold skæreværktøj skarpt og rent. Ordentligt vedligeholdt skæreværktøj med skarpe skærekanter har mindre tilbøjelighed til at binde og er lettere at styre.
- ◆ Brug ikke apparatet med beskadigede eller defekte dele.
- ◆ Få beskadigede eller defekte dele repareret eller udskiftet på et autoriseret værksted.
- ◆ Forsøg aldrig at fjerne eller udskifte dele ud over dem, der er beskrevet i denne vejledning.

Elektricitet og sikkerhed

- ◆ Apparatets stik skal passe til stikkontakten. Stikket må aldrig modificeres på nogen måde. Brug ikke adapterstik sammen med jordforbundne apparater. Umodificerede stik og dertil passende stikkontakter reducerer risikoen for elektrisk stød.
- ◆ Apparatet må ikke udsættes for regn eller fugt. Indtrængen af vand i apparatet øger risikoen for elektrisk stød.
- ◆ Pas på, at ledningen ikke beskadiges. Bær, træk eller afbryd ikke apparatet vha. ledningen.

Hold ledningen borte fra varme, olie, skarpe kanter og bevægelige dele. Beskadigede eller sammenfiltrede ledninger øger risikoen for elektrisk stød.

- ◆ Hvis et apparat benyttes i det fri, skal der benyttes en forlængerledning, som er godkendt til udendørs brug. Brug af en ledning, der er egnet til udendørs brug, reducerer risikoen for elektrisk stød.
- ◆ Brug en strømkilde med fejlstrømsbeskyttelse, hvis det er nødvendigt at anvende et apparat på fugtige steder. Ved at benytte en fejlstrømsafbryder reduceres risikoen for elektrisk stød.

Efter brug

- ◆ Opbevar apparatet på et tørt, godt ventileret sted uden for børns rækkevidde, når det ikke er i brug.
- ◆ Børn må ikke have adgang til opbevarede apparater.
- ◆ Når apparatet opbevares eller transporteres i et køretøj, skal det anbringes i bagagerummet eller fastgøres for at forhindre bevægelse som følge af pludselige ændringer i hastighed eller retning.

Service

- ◆ Få altid apparatet repareret af kvalificerede fagfolk med originale reservedele. Dermed opretholdes apparatets sikkerhed.

Yderligere sikkerhedsvejledninger til løvsugere

Den tilsigtede brug er beskrevet i denne vejledning. Brug af ekstraudstyr eller tilbehør eller udførelse af andre opgaver med dette apparat end de, der anbefales i denne vejledning, kan medføre risiko for personskade og/eller materiel skade.

- ◆ Brug altid kraftigt fodtøj og lange bukser til beskyttelse af fødder og ben under brugen af apparatet.
- ◆ Brug ikke løvsugerfunktionen uden påmonteret sugerør og opsamlingspose.
- ◆ Sluk altid produktet, lad blæseren stoppe, og tag stikket ud af kontakten:
 - ◆ Når du skifter fra blæsning til sugning.
 - ◆ Hvis strømledningen er filtret sammen.
 - ◆ Når du efterlader produktet uden opsyn.
 - ◆ Når du fjerner en blokering.
 - ◆ Når du kontrollerer, juster, rengør eller arbejder på produktet.
 - ◆ Hvis produktet begynder at vibrere unormalt.
- ◆ Hold ikke ind sugning eller udblæsning i nærheden af øjne eller ører under arbejdet.
- ◆ Blæs aldrig materiale mod omkringstående.
- ◆ Brug ikke produktet i regnvejr, og lad det ikke ligge ude i regnvejr.
- ◆ Passér ikke grusstier eller veje, mens produktet er tændt og suger/blæser.

- ◆ Gå, løb ikke.
- ◆ Sæt ikke produktet ned på grus, mens der er tændt for det.
- ◆ Sørg altid for godt fodfæste, især på skråninger.
- ◆ Stræk dig ikke for langt, og sørg hele tiden for at være i balance.
- ◆ Opsaml ikke materiale, der kan være forurenede af letantændelige eller brandbare væsker såsom benzin, og brug ikke produktet i områder, hvor sådanne stoffer kan forekomme.
- ◆ Stik ikke genstande ind i åbningerne. Brug aldrig produktet, hvis åbningerne er blokeret - hold dem fri for hår, fnug, støv og andet, der kan reducere luftstrømmen.

Advarsel! Brug altid produktet som beskrevet i vejledningen.

Produktet er designet til brug i opretstående stilling; hvis det bruges på anden måde, kan det forårsage tilskadekomst. Lad aldrig produktet køre, mens det ligger på siden eller står på hovedet.

- ◆ Brugeren er ansvarlig for ulykker eller risici, som andre eller andres ejendom udsættes for.
- ◆ Bær ikke produktet i ledningen.
- ◆ Før altid ledningen bagved og væk fra produktet.

Advarsel! Hvis ledningen bliver beskadiget under brug, skal du omgående tage den ud af stikkontakten. Rør ikke ved ledningen, før du har taget den ud af stikkontakten.

- ◆ Brug ikke opløsningsmidler eller renevæsker til rengøring af produktet. Brug en uskarp skraber til at fjerne græs og snavs.
- ◆ Kontroller jævnlige opsamlingsposen for slid og forringelse.
- ◆ Udskiftningsblæsere kan købes hos en BLACK+DECKER-servicefilial. Brug kun reservedele og tilbehør, der anbefales af BLACK+DECKER.
- ◆ Sørg for, at alle apparatets møtrikker, bolte og skruer er spændt, så arbejdsforholdene er sikre.
- ◆ Hvis netledningen beskadiges, skal den udskiftes af producenten eller et autoriseret BLACK+DECKER-værksted, så farlige situationer undgås.
- ◆ Den elektriske sikkerhed kan forbedres yderligere ved brug af en højfølsom 30 mA fejlstrømsafbryder (RCD).

Andres sikkerhed

- ◆ Dette apparat kan bruges af børn i en alder fra 8 år og derover og personer med nedsatte fysiske, sensoriske eller mentale evner eller manglende erfaring og viden, hvis det sker under overvågning, eller de vejledes i brugen af apparatet på en sikker måde, og de forstår de farer, som er forbundet dermed. Børn må ikke lege med apparatet. Rengøring og brugervedligeholdelse må ikke foretages af børn uden opsyn.
- ◆ Børn skal holdes under opsyn, så det sikres, at de ikke leger med værktøjet.

Elektricitet og sikkerhed



Dette værktøj er dobbelt isoleret. Derfor er en jordledning ikke nødvendig.

Kontrollér altid, at strømforsyningen svarer til spændingen på mærkepladen.

Brug af en forlængerledning

Brug altid en godkendt forlængerledning, der er egnet til dette værktøjs strømstik (se de tekniske data). Forlængerledningen skal være egnet til udendørs brug og mærket i overensstemmelse hermed. Der kan bruges en HO5V V-F-forlængerledning på op til 30 m med et tværsnit på 1.5 mm², uden at produktets ydeevne forringes. Før brug skal forlængerledningen inspiceres for tegn på beskadigelse, slid og ældning. Udskift forlængerledningen, hvis den er beskadiget eller defekt. Ved brug af en ledningstrømle skal ledningen altid rulles helt ud.

Tilbageværende risici

Der kan opstå yderligere, tilbageværende risici under brugen af apparatet, som muligvis ikke behandles i de vedlagte sikkerhedsadvarsler.

Disse risici kan opstå pga. forkert anvendelse, langvarig brug osv. Selv ved overholdelse af relevante sikkerhedsbestemmelser og anvendelse af sikkerhedsanordninger medfører brugen af save en række restrisici, som ikke kan undgås.

Disse omfatter:

- ◆ Tilskadekomst forårsaget af berøring af roterende/bevægelige dele.
- ◆ Tilskadekomst forårsaget af udskiftning af dele, klinger eller tilbehør.
- ◆ Tilskadekomst forårsaget af langvarig brug af et værktøj. Husk at holde pause jævnligt ved brug af et apparat i længere tid.
- ◆ Hørenedsættelse.
- ◆ Sundhedsrisici forårsaget af indånding af støv, der genereres ved brug af værktøjet (eksempel: arbejde med træ, især, eg, bøg og MDF.).

Vibration

De angivne værdier for udsendelse af vibration anført under de tekniske data og overensstemmelseserklæringen er målt i henhold til standardtestmetoden i EN50636 og kan bruges til at sammenligne ét værktøj med et andet.

Den angivne vibrationsemissionsværdi kan også bruges i forbindelse med en foreløbig vurdering af eksponeringen.

Advarsel! Værdien for vibrationsemission ved faktisk brug af elværktøjet kan afvige fra den angivne værdi afhængig af måden, værktøjet anvendes på.

Vibrationsniveauet kan overstige det angivne niveau.

I vurderingen af eksponeringen for vibration med henblik på fastsættelse af sikkerhedsforanstaltninger som krævet i 2002/44/EF til beskyttelse af personer, der jævnligt anvender elværktøj i deres arbejde, skal der tages hensyn til de faktiske betingelser under brugen, og måden værktøjet bruges på, herunder alle arbejds cyklussens afsnit, f.eks. perioder, hvor værktøjet er slukket, og hvor det kører i tomgang, tillige med startperioderne.

Mærkater på apparatet

Følgende piktogrammer vises på værktøjet sammen med datokoder.



Advarsel! Læs vejledningen inden brug.



Bær beskyttelses- eller sikkerhedsbriller, når du bruger dette apparat.



Bær egnet høreværn, når du bruger dette apparat.



Udsæt ikke værktøjet for regn eller høj luftfugtighed, og lad det ikke ligge ude i regnvejr.



Tag stikket ud af stikkontakten før rengøring eller vedligeholdelse.



Tag stikket ud af stikkontakten, hvis ledningen bliver beskadiget eller filtrer.



Pas på flyvende genstande.



Hold omkringstående på afstand.



Direktiv 2000/14/EF garanteret lydeffekt.

Funktioner

Dette apparat leveres med nogle af eller alle de følgende komponenter.

1. Tænd/sluk-kontakt - hastighedskontrol
2. Forreste håndtag
3. Baghåndtag
4. Strømhoved
5. Øverste sugerør
6. Nederste sugerør
7. Øverste blæserør
8. Nederste blæserør
9. Koncentrator
10. Opsamlingspose
11. Posekonnektor

Sådan bruges produktet

Advarsel! Bær altid sikkerhedsbriller, når blæse- eller sugefunktionen bruges. Bær også en filtermaske under støvede forhold.

Advarsel! Sluk produktet, lad blæseren stoppe, og tag stikket ud af kontakten, før du foretager justeringer, service eller vedligeholdelse.

Samling



Advarsel! Kontroller før samling, at apparatet er slukket, og at ledningen er taget ud af stikkontakten.



Advarsel! Bær altid beskyttelseshandsker, når du arbejder med løvsugeren.

Sugerørenhed (fig. A)

Sugerørene skal samles før brug.

Advarsel! Brug aldrig produktet med adskilte sugerør.

- ◆ Kom lidt sæbevand på samleområdet for at lette samlingen.
- ◆ Sæt hakkene (5a) og fordybningerne (6a) på det øverste (5) og det nederste (6) sugerør ud for hinanden.
- ◆ Skub det nederste sugerør (6) fast på det øverste sugerør (5), til de klikker på plads.

Advarsel! Adskil ikke rørene, når de først er samlet.

Sugefunktion (fig. B, C, D, E, F, G, H, I, J, K, L, M)

- ◆ Roter blæserskærmsamlingen mod uret, som (fig. B).
- ◆ Indsæt stangen (14) (medfølger) i blæserskærmmfrigørelsen (13), og skub opad for at frigive blæserskærmsamlingen (12), som vist i figur C.
- ◆ Lad blæserskærmsamlingen (12) falde fremad, som vist i figur D.

- ◆ Indsæt det samlede sugerør (5) i den tilgængelige fordybning i strømhovedet (4), som vist på figur E.
 - ◆ Roter det samlede sugerør med uret, så bajonøfastgørelsen låses på plads, som vist i figur E.
 - ◆ Indsæt opsamlingsposekonnektoren (11) på strømhovedstikkontakten (11a), som vist i figur F.
 - ◆ Placer opsamlingsposens stropper (10) over skuldrene (fig. G). Dette støtter den yderligere vægt, efterhånden som rygsæk-opsamlingsposen fyldes.
 - ◆ Hold sugerøret lidt over affaldet/bladene. Tænd for apparatet ved at skubbe tænd/sluk-kontakten (1) opad (fig. H indsats) og bruge en fejende bevægelse; affaldet/bladene suges op gennem røret og føres til opsamlingsposen (10) (fig. H).
 - ◆ Efterhånden som posen fyldes, reduceres sugeeffekten. Sluk for apparatet, og tag ledningen ud af stikkontakten.
 - ◆ Løsn palen (10a) på rygsæk-opsamlingsposen (fig I).
 - ◆ Fold åbningen af rygsæk-opsamlingsposen ud (fig J).
 - ◆ Åbn rygsæk-opsamlingsposen (fig K), og tøm dens indhold.
 - ◆ For at forsegle opsamlingsposen skal du holde de fleksible stænger sammen og rulle 2-3 gange (fig L).
 - ◆ Smæk fastholdelsesklemmen (10a) som vist i figur M.
- Advarsel!** Fjern aldrig opsamlingsposen uden først at slukke apparatet og tage ledningen ud af stikkontakten.
- Bemærk:** Hvis sugeeffekten falder, og posen ikke er fuld, er sugerøret formentlig tilstoppet af affald. Sluk for apparatet, tag ledningen ud af stikkontakten, og rens røret, før du fortsætter.
- ◆ Når opgaven er afsluttet, skal du rotere det samlede sugerør mod uret for at frigøre bajonøfastgørelsen. Indsæt stangen (14) i blæserskærmmfrigørelsen (13), og skub opad for at frigøre det samlede sugerør. Fjern det samlede sugerør fra strømhovedet, som vist i figur N.
 - ◆ Udskift blæserskærmsamlingen, som vist i figur O.
 - ◆ Roter blæserskærmsamlingen med uret, som vist på figur P.

Blæsertilstand (fig. Q, R, S, T)

- ◆ Saml det øverste blæserør (7), det nederste blæserør (8) og den valgfri koncentrator (9), som vist i figur Q.
 - ◆ Skub det samlede blæserør på sugedgangen (11a), indtil låsen griber stramt ind i blæserøret, som vist i figur R.
- Advarsel!** Må aldrig anvendes i blæsefunktion, uden at blæserøret er på plads.
- ◆ Hold blæserøret ca. 180 mm over jorden, tænd produktet og gå langsomt frem med en fejende bevægelse fra side til side med ophobet affald/blade foran dig (fig. S).
 - ◆ Når du har blæst affaldt/bladene ind i en bunke, kan du fjerne blæserskærmsamlingen ved at indsætte stangen (14) i åbningen på sugehovedet og skubbe ned for at frigøre låsen, som vist i figur T.
 - ◆ Nu kan du konvertere til sugefunktion og opsamle affaldet.

Problemløsning

Problem	Mulig løsning
Kan ikke starte	Kontroller tilslutningen til strømforsyningen
	Kontroller sikringen i stikket, og udskift den, hvis den er gået (kun Storbritannien).
	Kontroller, at blæse-/sugerøret er monteret korrekt på motordelen.
	Hvis sikringen bliver ved med at gå, skal du omgående tage ledningen ud af kontakten og kontakte det lokale autoriserede BLACK+DECKER-værksted.
Ringe sugeeffekt/høj hylelyd	Sluk - tag ledningen ud af kontakten, affaldet skal falde ud af røret.
	Fjern og tøm opsamlingsposen.
	Kontroller at både indsugnings- og udblæsningsporte på sugerøret er fri for blokeringer.
	Fjern eventuelt affald fra blæserområdet.
	Hvis sugeeffekten stadig er ringe, skal du omgående tage ledningen ud af kontakten og kontakte det lokale autoriserede BLACK+DECKER-værksted

Vedligeholdelse

Dit BLACK+DECKER-udstyr er beregnet til brug gennem lang tid med et minimum af vedligeholdelse.

Vedvarende tilfredsstillende funktion er afhængig af, om apparatet plejes korrekt og rengøres regelmæssigt.

- ◆ Hold apparatet rent og tørt.
- ◆ Fjern blade, der måtte side fast på indersiden af sugerøret.
- ◆ Rengør regelmæssigt ventilationsåbningerne med en ren, tør pensel.
- ◆ Rengør jævnlige opsamlingsposen og sørg for, at den er ren og tom efter hver brug.
- ◆ Brug kun et mildt rengøringsmiddel og en fugtig klud til rengøring af apparatet. Lad aldrig væske trænge ind i værktøjet, og nedsænk aldrig nogen del af værktøjet i væske. Der må ikke bruges skuremidler eller opløsningsmidler.
- ◆ Der anvendes selvsmørende lejer i produktet, hvorfor smøring ikke er nødvendig.

Udskiftning af netstik (kun Storbritannien og Irland)

Hvis et nyt lysnetstik skal monteres:

- ◆ Det gamle stik skal bortskaffes på en sikker måde.
- ◆ Slut den brune ledning til den strømførende klemme på det nye stik.
- ◆ Slut den blå ledning til den neutrale klemme.

Advarsel! Der skal ikke tilsluttes til jordklemmen.

Følg de monteringsinstruktioner, der følger med stik af god kvalitet.

Anbefalet sikring: 13 A.

Miljøbeskyttelse



Særskilt bortskaffelse. Produkter og batterier mærket med dette symbol må ikke bortskaffes sammen med normalt husholdningsaffald.

Produkter og batterier indeholder materialer, der kan genvindes eller genbruges og således reducere efterspørgslen efter råvarer.

Genbrug venligst elektriske produkter og batterier i henhold til lokale bestemmelser. Yderligere informationer findes på www.2helpU.com

Tekniske data

		BEBLV290	BEBLV300
Indgangsspænding	V_{AC}	230	230
Effektindgang	W	2900	3000
Kapacitet	L	55	72
Vægt (blæser)	kg	3.6	3.6
Vægt (suger)	kg	4.4	4.4

Lydtrykniveau, målt i overensstemmelse med EN 50636-2-100

Lydtrykniveau ved operatorposition: (L_{PA}) 90,0 dB(A), usikkerhed (K) 1,2 dB(A)
Lydeffektniveau (L_{WA}) 102,5 dB(A), usikkerhed (K) 1,1 dB(A)

Samlede værdier for vibration (triaksial vektorsum) i henhold til EN 50636-2-100

Vibration (a_w) 3.0 m/s^2 , usikkerhed (K) 1.8 m/s^2

EU-overensstemmelseserklæring

MASKINDIREKTIV
DIREKTIV OM STØJEMISSION FRA MASKINER TIL
UDENDØRS BRUG



BEBLV290, BEBLV300 - Løvsuger
Black & Decker erklærer, at produkterne beskrevet under

"Tekniske data" er i overensstemmelse med:

2006/42/EC, EN60335-1:2012+A11:2014;

EN50636-2-100:2014

2000/14/EF, løvsuger, bilag V

DEKRA Quality B.V., Utrechtseweg 310, 6802 ED Arnhem,

Nederlandene Underrettet myndighed, id-nr.: 0344

Lydintensitetsniveau i henhold til 2000/14/EF

(artikel 13, bilag III):

Lydtrykniveau: L_{WA} : 102,5 dB(A); $K=1$, 1 dB(A)

Det garanterede lydtrykniveau: L_{WA} : 104 dB(A)

Disse produkter er endvidere i overensstemmelse med direktiv 2014/30/EU og 2011/65/EU. Kontakt Black & Decker på nedenstående adresse eller se vejledningens bagside for at få yderligere oplysninger.

DANSK

(Oversættelse af de oprindelige instruktioner)

Undertegnede er ansvarlig for kompilering af den tekniske fil og udsteder denne erklæring på vegne af

Black & Decker.

Patrick Diepenbach

Patrick Diepenbach
General Manager, Benelux
Black and Decker,
Egide Walschaertsstraat 14-18
2800 Mechelen, Belgien
24/11/2021

Garanti

Black & Decker er overbevist om den gode kvalitet af sine produkter og giver forbrugerne en garanti på 24 måneder fra købsdatoen. Garantien er et tillæg til forbrugerens lovmæssige rettigheder og påvirker ikke disse. Garantien er gyldig inden for medlemsstaterne af Den Europæiske Union og Det Europæiske Frihandelsområde.

Når du gør krav på garantien, skal kravet være i overensstemmelse med Black&Decker vilkår og betingelser, og du skal indsende dokumentation for købet til sælgeren eller til en autoriseret reparatør.

Vilkår og betingelser for Black & Decker 2 års garanti og det nærmeste autoriserede serviceværksted findes på internettet på www.2helpU.com, eller du kan kontakte dit lokale Black & Decker kontor på den adresse, der er angivet i denne vejledning.

Besøg venligst vores websted www.blackanddecker.co.uk for at registrere dit nye Black & Decker produkt og modtage opdateringer om nye produkter og specielle tilbud.

(Alkuperäisten ohjeiden käännös)

SUOMI

Käyttötarkoitus

BLACK+DECKER™ BEBLV290, BEBLV300 -puhaltimet/imurit on suunniteltu puunlehtien siivoamiseen. Laitteet on tarkoitettu vain kotikäyttöön ja vain ulkona.

Laitteen yleiset turvavaroitukset



Varoitus! Johdollisia laitteita

käytettäessä on aina noudatettava asianmukaisia turvaohjeita, jotta tulipalojen, sähköiskujen, henkilövahinkojen ja materiaalivaurioiden riski olisi mahdollisimman pieni.

- ◆ Lue nämä ohjeet huolellisesti ennen laitteen käyttöä. Tutustu hallintalaitteisiin ja opettele laitteen oikea käyttö.
- ◆ Käyttötarkoitus kuvataan näissä ohjeissa. Muiden kuin ohjeissa suositeltujen lisävarusteiden tai -osien käyttö sekä laitteen käyttö muuhun kuin oppaassa suositeltuun tarkoitukseen voi aiheuttaa henkilövahingon vaaran.

Jäljempänä olevissa varoituksissa käytetyllä käsitteellä "laite" tarkoitetaan verkkokäyttöisiä laitteita (joissa on verkkojohto) tai akkukäyttöisiä laitteita (joissa ei ole verkkojohtoa).

Tallenna kaikki varoitukset ja ohjeet myöhempää tarvetta varten.

Säästä kaikki varoitukset ja ohjeet tulevaa käyttöä varten.

Laitteen käyttö

- ◆ Ole aina huolellinen käyttäessäsi laitetta.
- ◆ Pidä työskentelyalue puhtaana ja hyvin valaistuna.

Onnettomuuksia sattuu herkemmin epäsiistissä tai huonosti valaistussa ympäristössä.

- ◆ Käytä laitetta vain päivänvalossa tai hyvin valaistulla alueella.
- ◆ Älä käytä laitetta räjähdysalttiissa ympäristössä, jossa on palavaa nestettä, kaasua tai pölyä.
- ◆ Älä koskaan anna lasten tai kenenkään, joka ei ole lukenut käyttöohjetta, käyttää laitetta. Paikalliset säädökset saattavat määrittää käyttäjiä koskevia ikärajoituksia.
- ◆ Älä anna lasten tai eläinten tulla lähelle työskentelyaluetta tai koskea laitteen virtajohtoon.
- ◆ Pidä lapset, sivulliset ja eläimet loitolla laitetta käyttäessäsi. Keskittymiskyvyn herpaantuminen voi aiheuttaa hallinnan menettämisen.
- ◆ Laitetta ei saa käyttää leluna.
- ◆ Älä upota laitetta veteen.
- ◆ Älä avaa laitteen koteloa. Sisällä ei ole mitään huollettavia osia.

Henkilöturvallisuus

- ◆ Ole valpas, keskity työhön ja noudata tervettä järkeä laitteen käytössä. Älä käytä laitetta, jos olet väsynyt tai huumeiden, alkoholin tai lääkkeiden vaikutuksen alaisena. Hetken tarkkaamattomuus laitetta käytettäessä saattaa johtaa vakavaan loukkaantumiseen.
- ◆ Käytä tarvittaessa henkilökohtaisia suojarusteita.

Suojavarusteet, kuten suojalasit, hengityssuojain, luistamattomat turvajalkineet, kypärä ja kuulosuojaimet, pienentävät loukkaantumiseriskiä, jos niitä käytetään tilanteen mukaan oikein.

- ◆ Vältä tahatonta käynnistämistä. Varmista, että virta on katkaistu käyttökytkimellä, ennen kuin liität laitteen virtalähteeseen ja/tai akkuun, nostat laitteen tai kannat sitä. Onnettomuusvaara lisääntyy, jos kannat laitetta sormi käyttökytkimellä tai kytket laitteen virtajohdon pistorasiaan, kun käyttökytkin on päällä.
- ◆ Älä kurkottele. Huolehdi siitä, että sinulla on koko ajan tukeva jalansija ja hyvä tasapaino. Niin voit paremmin hallita laitetta odottamattomissa tilanteissa.
- ◆ Käytä tarkoitukseen soveltuvia vaatteita. Älä käytä löysiä vaatteita tai koruja. Pidä hiukset, vaatteet ja kädet loitolla liikkuvista osista. Löysät vaatteet, korut tai pitkät hiukset voivat tarttua liikkuviin osiin.

Laitteiden käyttö ja hoito

- ◆ Tarkista ennen laitteen käyttöä, ettei laitteessa ole vahingoittuneita tai viallisia osia. Tarkista osien ja kytkimien kunto sekä muut seikat, jotka voivat vaikuttaa laitteen toimintaan.
- ◆ Älä käytä laitetta, jota ei voida käynnistää ja pysäyttää virtakytkimestä.

Laite, jota ei enää voida käynnistää ja pysäyttää käynnistyskytkimellä, on vaarallinen, ja se täytyy korjata.

- ◆ Irrota pistotulppa pistorasiasta ja/tai akku laitteesta, ennen kuin suoritat säätöjä, vaihdat tarvikkeita tai siirrät laitteen varastoitavaksi. Tällä tavoin pienennetään laitteen tahattoman käynnistymisen mahdollisuutta.
- ◆ Pidä mahdolliset leikkausterät terävinä ja puhtaina. Kunnossa pidettyjen leikkaavia teräviä reunoja sisältävien työkalut todennäköisyys jumiutua vähenee, ja niitä on helpompi hallita.
- ◆ Älä käytä laitetta, jos jokin osa on vahingoittunut tai viallinen.
- ◆ Korjauta tai vaihdata vaurioituneet tai vialliset osat valtuutetussa huoltoliikkeessä.
- ◆ Älä yritä korjata tai vaihtaa muita kuin tässä käyttöohjeessa erikseen määriteltyjä osia.

Sähköturvallisuus

- ◆ Laitteen pistokkeen tulee sopia pistorasiaan. Älä koskaan tee pistokkeeseen mitään muutoksia. Älä käytä maadoitetuissa laitteissa mitään pistorasiasovittimia. Sähköiskun vaara vähenee, jos pistokkeisiin ei tehdä muutoksia ja ne yhdistetään vain niille tarkoitettuihin pistorasioihin.
- ◆ Älä käytä laitetta sateessa tai märissä olosuhteissa. Laitteen sisään joutunut vesi voi aiheuttaa sähköiskun.
- ◆ Älä käsittele virtajohtoa kovakouraisesti.

Älä käytä sitä laitteen kantamiseen, vetämiseen tai pistokkeen irrottamiseen pistorasiasta. Pidä sähköjohto kaukana kuumuudesta, öljystä, terävistä reunoista tai liikkuvista osista. Vaurioituneet tai sotkeutuneet johdot lisäävät sähköiskun vaaraa.

- ◆ Käyttäessäsi laitetta ulkona käytä ainoastaan ulkokäyttöön soveltuvaa jatkojohtoa. Ulkokäyttöön tarkoitettun sähköjohdon käyttäminen vähentää sähköiskun vaaraa.
- ◆ Jos laitetta on välttämättä käytettävä kosteassa paikassa, käytä jäännösvirtalaitteella (RCD) suojattua virtalähdettä. Tämä vähentää sähköiskun vaaraa.

Käytön jälkeen

- ◆ Kun laitetta ei käytetä, säilytä sitä kuivassa, hyvin tuuletetussa paikassa poissa lasten ulottuvilta.
- ◆ Pidä laite lasten ulottumattomissa.
- ◆ Kun laitetta säilytetään tai kuljetetaan ajoneuvossa, sijoita se tavaratilaan tai kiinnitä se kunnolla, ettei se matkan aikana pääse liikkumaan.

Huolto

- ◆ Korjauta laite koulutetulla ja ammattitaitoisella henkilöllä ja hyväksy korjauksiin vain alkuperäisiä varaosia. Siten varmistat, että laite säilyy turvallisena.

Lisäturvaohjeet puhaltimiin/imureihin

Käyttötarkoitus kuvataan ohjeissa.

Käytä laitetta ainoastaan sellaiseen työhön, johon se on tarkoitettu, ja käytä vain käyttöohjeessa ja tuotekuvastossa suositeltuja tarvikkeita ja lisälaitteita. Ohjeesta poikkeava käyttö voi aiheuttaa henkilö- ja/tai omaisuusvahinkoja.

- ◆ Suojaa jalkateräsi ja sääresi laitteen käytön aikana käyttämällä aina tukevia jalkineita ja pitkiä housuja.
- ◆ Älä käytä laitetta imuritulassa, elleivät imuriputket ja keräyspussi ole paikoillaan.
- ◆ Sammuta laite, anna puhallinyksikön pysähtyä ja irrota virtajohto virtalähteestä, kun
 - ◆ siirrät laitteen puhallintilasta imuritilaan
 - ◆ virtajohto on vahingoittunut tai sotkeutunut
 - ◆ poistut laitteen läheisyydestä
 - ◆ selvität tukosta
 - ◆ tarkastat, säädät, puhdistat tai huollat laitetta
 - ◆ laite alkaa täristä epänormaalisti.
- ◆ Älä aseta imurin otto- tai poistoaukkoa silmien tai korvien lähelle laitteen ollessa käynnissä.
- ◆ Älä koskaan puhalla roskia sivullisia kohti.
- ◆ Älä käytä laitetta sateessa tai jätä sitä ulos sateeseen.
- ◆ Älä kulje hiekkapolkujen tai -teiden yli, kun laite on käynnissä puhallin-/imuritulassa.
- ◆ Kävele, älä juokse.
- ◆ Älä aseta laitetta maahan hiekan päälle, kun laite on käynnissä.

- ◆ Varmista tukeva jalansija etenkin rinteissä.
- ◆ Älä kurkota ja seiso aina tukevasti tasapainossa.
- ◆ Älä imuroi aineita, joiden seassa voi olla syttyviä tai tulenarkoja nesteitä, kuten bensiniä. Älä käytä laitetta tiloissa, joissa edellä mainittuja aineita saattaa olla.
- ◆ Älä aseta mitään esineitä laitteen aukkoihin. Älä käytä laitetta, jos sen aukot ovat tukkeutuneet. Puhdista aukot hiuksista, nukasta, pölystä ja muista hiukkasista, jotka voivat vähentää ilmavirtausta.

Varoitus! Käytä laitetta aina tämän käyttöoppaan ohjeiden mukaan.

Laite on tarkoitettu käytettäväksi pystyasennossa, ja sen käyttäminen muulla tavalla voi aiheuttaa vamman. Älä käynnistä laitetta sen ollessa kyljellään tai ylösalaisin.

- ◆ Laitteen käyttäjä on vastuussa muille henkilöille tai omaisuudelle aiheutuneista onnettomuuksista tai vaaratilanteista.
- ◆ Älä kanna laitetta kaapelista.
- ◆ Sijoita kaapeli aina taaksepäin pois päin laitteesta.

Varoitus! Jos johto vahingoittuu käytön aikana, irrota virtajohto heti virtalähteestä.

Älä kosketa virtajohtoa, ennen kuin olet irrottanut sen virtalähteestä.

- ◆ Älä puhdista laitetta liuottimilla tai puhdistusnesteillä. Irrota ruoho ja lika tylpällä kaapimella.

- ◆ Varmista säännöllisesti, ettei keräyspussi ole kulunut tai rikkoutunut.
- ◆ Puhallinyksiköitä myyvät BLACK+DECKER-tuotteiden jälleenmyyjät. Käytä ainoastaan BLACK+DECKERin suosittelemia varaosia ja lisävarusteita.
- ◆ Turvallisuussyistä tulee varmistaa, että kaikki laitteen mutterit, pultit ja ruuvit on kiristetty.

Muiden henkilöiden turvallisuus

- ◆ Tämä laite soveltuu yli 8-vuotiaiden lasten ja sellaisten henkilöiden käyttöön, joilla on fyysisiä, aistillisia tai henkisiä rajoitteita tai puutteellinen kokemus tai tuntemus, jos heitä valvotaan tai jos he ovat saaneet laitteen turvalliseen käyttöön liittyvää opastusta ja ymmärtävät laitteen käyttöön liittyvät vaarat. Älä anna lasten leikkiä laitteella. Puhdistus- ja huoltotöitä ei saa jättää lapsille ilman valvontaa.
- ◆ Lapsia tulee valvoa, jotta he eivät leikkisi laitteella.

Sähköturvallisuus



Tämä laite on kaksoiseristetty, joten erillistä maadoitusta ei tarvita.

Tarkista aina, että verkkovirran jännite vastaa tyyppikilpeen merkittyä jännitettä.

- ◆ Jos virtajohto vahingoittuu, sen vaihtaminen on turvallisuussyistä jätettävä valmistajan tai valtuutetun BLACK+DECKER-huollon tehtäväksi.

- ◆ Sähköturvallisuutta voi parantaa käyttämällä erittäin herkkää (30 mA) vikavirtasuojaa.

Jatkojohdon käyttäminen

Käytä aina oikeanlaista jatkojohtoa, joka sopii tämän laitteen virransyöttöliitäntään (katso kohta Tekniset tiedot). Jatkojohdon on oltava ulkokäyttöön soveltuva ja siinä on oltava soveltuvuudesta ilmoittava merkintä. Laitteen kanssa voidaan käyttää enintään 30 m pitkää 1,5 mm²:n HO5V V-F -jatkojohtoa ilman tehon heikkenemistä. Tarkista jatkojohdon kunto ennen sen käyttämistä. Vahingoittunut tai viallinen kaapeli on vaihdettava. Jos käytät johtokelaa, kelaa johto aina kokonaan auki.

Jäännösriskit

Myös muut kuin turvavaroituksissa mainitut riskit ovat mahdollisia laitetta käytettäessä.

Nämä riskit voivat liittyä muun muassa virheelliseen tai pitkäaikaiseen käyttöön. Asiaan kuuluvien turvamääräysten noudattamisesta ja turvalaitteiden käytöstä huolimatta tiettyjä jäännösriskejä ei voi välttää. Näitä ovat:

- ◆ Pyörivien tai liikkuvien osien koskettamisen aiheuttamat vahingot.
- ◆ Osia, teriä tai lisävarusteita vaihdettaessa aiheutuneet vahingot.
- ◆ Työkalun pitkäaikaisen käytön aiheuttamat vahingot. Varmista, että pidät säännöllisesti taukoja laitteen pitkäaikaisen käytön aikana.
- ◆ Kuulon heikkeneminen.

- ♦ Laitetta käytettäessä (esimerkiksi puuta, erityisesti tammea, pyökkiä ja MDF-levyjä, käsiteltäessä) syntyneen pölyn sisäänhengityksen aiheuttamat terveysriskit).

Tärinä

Teknisissä tiedoissa ja vaatimustenmukaisuusvakuutuksessa ilmoitettu tärinäpäästöarvo on mitattu EN50636-standardin testausmenetelmän mukaisesti, ja arvoa voi käyttää työkalujen keskinäiseen vertailuun. Ilmoitettua tärinäpäästöarvoa voi käyttää myös altistumisen alustavaan arviointiin.

Varoitus! Sähkötyökalun käytön aikana mitattu todellinen tärinäpäästöarvo voi poiketa ilmoitetusta tärinäpäästöarvosta työkalun käyttötavan mukaan. Tärinätaaso voi olla ilmoitettua tasoa suurempi.

Kun tärinälle altistumista arvioidaan sen määrittämiseksi, mitä direktiivin 2002/44/EY mukaisia turvatoimenpiteitä vaaditaan sähkötyökaluja säännöllisesti käyttävien henkilöiden suojelemiseksi, tärinälle altistumisen arvioinnissa on otettava huomioon todelliset käyttöolosuhteet ja työkalun käyttötavat. Todellisen käytön lisäksi on kiinnitettävä huomiota myös siihen, milloin työkalu on sammutettuna tai se käy tyhjäkäynnillä.

Laitteessa olevat merkinnät

Työkalussa on seuraavat merkit sekä päivämääräkoodi.



Varoitus! Lue käyttöohje ennen laitteen käyttöönottoa.



Käytä suojalaseja, kun käytät laitetta.



Käytä asianmukaisia kuulosuojaimia, kun käytät laitetta.



Älä käytä työkalua sateessa tai erittäin kosteissa olosuhteissa tai jätä sitä ulos sateeseen.



Sammuttaminen: irrota verkkojohto pistorasiasta ennen puhdistamista tai huoltamista.



Irrota laite sähköverkosta, jos johto on vaurioitunut tai sotkeutunut.



Varo sinkoilevia esineitä.



Pidä sivulliset loitolla.



Direktiivin 2000/14/EY mukainen taattu ääniteho.

Yleiskuvaus

Tässä laitteessa on kaikki tai joitakin seuraavista ominaisuuksista.

1. Virtakytin - nopeuden säädin
2. Etukahva
3. Takakahva
4. Tehopää
5. Ylempi imuriputki
6. Alempi imuriputki
7. Ylempi puhallinputki
8. Alempi puhallinputki
9. Keskitin
10. Keräyspussi
11. Pussiliitin

Laitteen käyttäminen

Varoitus! Käytä suojalaseja, kun käytät puhallinta tai imuria. Jos ympäristö on pölyinen, käytä myös hengityssuojainta.

Varoitus! Sammuta laite, anna puhallinyksikön pysähtyä ja irrota virtajohto virtalähteestä, ennen kuin säädät tai huollat laitetta.

Asennus



Varoitus! Ennen kokoamista varmista, että laitteen virtakytkin on pois päältä ja ettei laitetta ole liitetty virtalähteeseen.



Varoitus! Käytä aina suojakäsineitä käsitellessäsi puhallin/imuria.

Imuriputken kokoaminen (kuva A)

Imuriputket on kiinnitettävä yhteen ennen laitteen käyttöä.

Varoitus! Älä käytä laitetta, jos imuriputket ovat erillään.

- ◆ Voit helpottaa kiinnittämistä voitelemalla kiinnityskohdan saippuavedellä.
- ◆ Kohdista toisiinsa lovet (5a) ja syvennykset (6a) ylemmässä (5) ja alemmassa (6) imuriputkessa.
- ◆ Työnnä alemmaa imuriputkea (6) voimakkaasti ylemmän imuriputken (5) sisään, kunnes ne napsahtavat paikoilleen.

Varoitus! Älä irrota putkia, kun ne on kiinnitetty.

Imuritiila (kuvat B, C, D, E, F, G, H, I, J, K, L, M)

- ◆ Kierrä puhaltimen suojuskokoonpanoa vastapäivään (kuva B).
- ◆ Aseta tanko (14) (kuuluu pakkaukseen) puhaltimen suojuksen vapautttimeen (13) ja paina ylöspäin puhallinkokoonpanon (12) vapauttamiseksi kuvan C mukaisesti.
- ◆ Pudota puhaltimen suojuskokoonpano (12) eteenpäin kuvan D mukaisesti.
- ◆ Aseta asennettu imuputki (5) tehopäässä (4) olevaan vapaaseen syvennykseen kuvan E mukaisesti.
- ◆ Kierrä asennettua imuputkea myötäpäivään niin, että kääntöliitäntä lukittuu paikoilleen kuvan E mukaisesti.
- ◆ Aseta keräysspussin liitin (11) tehopään liitäntään (11a) kuvan F mukaisesti.
- ◆ Aseta keräysspussin (10) hinnat olkapääsi yli (kuva G). Näin pystyt paremmin kannattelemaan lisäpainoa repun keräysspussin täytyessä.
- ◆ Aseta imuriputki hieman roskien/lehtien yläpuolelle. Käynnistä laite painamalla virtapainiketta (1) ylöspäin (kuva H) ja liikuta sitä pyyhkivin liikkein. Laite imee roskat/lehdet putkeen ja puhalttaa ne keräysspussiin (10) (kuva H).
- ◆ Kun pussi täyttyy, imuteho pienenee. Sammuta tällöin laite ja irrota se virtalähteestä.
- ◆ Irrota salpa (10a) repun keräysspussista (kuva I).
- ◆ Avaa repun keräysspussin aukko (kuva J).
- ◆ Avaa repun keräysspussi (kuva K) ja tyhjennä pussi.
- ◆ Tiivistä keräysspussi, pidä joustavia tankoja yhdessä ja rullaa 2-3 kertaa (L).
- ◆ Kiinnitä pidike (10a) kuvan M mukaisesti.

Varoitus! Älä koskaan irrota keräysspussia, ennen kuin olet sammuttanut laitteen ja kytkenyt sen irti virtalähteestä.

Huomautus: Jos imuteho heikkenee, mutta pussi ei ole täynnä, roskat ovat luultavasti tukkinneet imuriputken.

Sammuta imuri, kytke se irti virtalähteestä ja tyhjennä putki, ennen kuin jatkat työskentelyä.

- ◆ Kun tehtävä on suoritettu, kierrä asennettua imuputkea vastapäivään kääntöliitäntään vapauttamiseksi. Aseta tanko (14) puhaltimen suojuksen vapautttimeen (13) ja paina ylöspäin asennetun imuputken vapauttamiseksi. Irrota asennettu imuputki tehopäästä kuvan N mukaisesti.
- ◆ Asenna puhaltimen suojuskokoonpano paikoilleen kuvan O mukaisesti.
- ◆ Kierrä puhaltimen suojuskokoonpanoa myötäpäivään kuvan P mukaisesti.

Puhallintila (kuvat Q, R, S, T)

- ◆ Asenna ylempi puhallinputki (7), alempi puhallinputki (8) ja valinnainen keskutin (9) kuvan Q mukaisesti.
- ◆ Paina koottua puhallinputkea imurin poistoaukkoon (11a), kunnes lukko kiinnittyy kunnolla puhallinputkeen kuvan R mukaisesti.

Varoitus! Älä koskaan käytä laitetta puhallintilassa, jos puhallinputki ei ole kunnolla paikoillaan.

- ◆ Pidä puhallinputkea noin 180 mm:n korkeudella maasta ja käynnistä laite. Kävele hitaasti ja liikuta laitetta pyyhkivin liikkein puolelta toiselle. Pidä keräytyneet roskat/lehdet edessäsi (kuva S).
- ◆ Kun roskat/lehdet on puhallettu pinoon, voit poistaa imuputkikokoonpanon asettamalla tangon (14) imupään aukkoon ja painamalla sen alas lukituksen avaamiseksi kuvan T mukaisesti.
- ◆ Voit kytkeä nyt imutilan päälle ja kerätä roskat.

Vianetsintä

Ongelma	Mahdollinen ratkaisu
Laitte ei toimi	Tarkista kytkentä virtalähteeseen.
	Tarkista pistokkeessa oleva sulake ja vaihda se tarvittaessa (vain Iso-Britannia).
	Tarkista, että puhallin-/imuriputki on kiinnitetty oikein tehopäähän.
	Jos sulake palaa jatkuvasti, irrota laite heti virtalähteestä ja ota yhteys paikalliseen BLACK+DECKER -huoltoilikkeeseen.
Huono imuteho / korkea sivuvaani	Sammuta laite ja irrota se virtalähteestä. Roskien/lehtien pitäisi pudota ulos putkesta.
	Irrota ja tyhjennä keräysspussi.
	Tarkista, että imuriputken otto- ja poistoaukko ovat tyhjiä.
	Poista kaikki roskat/lehdet puhallinlyksikön alueelta.
	Jos imuteho on jatkuvasti huono, irrota laite heti virtalähteestä ja ota yhteys paikalliseen BLACK+DECKER -huoltoilikkeeseen.

Huolto

BLACK+DECKER -laitteesi on suunniteltu toimimaan mahdollisimman pitkään mahdollisimman vähällä huollolla. Oikea käsittely ja säännöllinen puhdistus varmistavat laitteen ongelmattoman toiminnan.

- ◆ Pidä laite puhtaana ja kuivana.
- ◆ Poista kaikki roskat/lehdet imuriputken sisältä.
- ◆ Puhdista ilma-aukot puhtaalla, kuivalla maalisiveltimellä.
- ◆ Puhdista keräyspussi säännöllisesti ja varmista, että se on tyhjä ja puhdas käytön jälkeen.
- ◆ Käytä laitteen puhdistukseen vain mietoja saippualluosta ja kosteaa liinaa. Älä koskaan päästä nestettä valumaan työkalun sisään äläkä upota mitään työkalun osaa nesteeseen. Älä käytä hankaavia tai liuotinpohjaisia puhdistusaineita.
- ◆ Laitteessa on itsevoitelevat laakerit, joten voitelu ei ole tarpeen.

Varaverkkopistoke (vain Iso-Britannia ja Irlanti)

Jos uusi verkkopistoke täytyy asentaa:

- ◆ Hävitä vanha pistoke ympäristöstävällisesti.
- ◆ Liitä ruskea johto uuden pistokkeen jännitteeseen napaan.
- ◆ Liitä sininen johto tähtipisteliittimeen.

Varoitus! Maadoitusliittimeen ei tule tehdä liitoksia.

Noudata korkealaatuisten pistokkeiden mukana toimitettuja asennusohjeita.

Suosittelua varten: 13 A.

Ympäristönsuojelu

Toimita tämä laite erilliskeräykseen. Tällä symbolilla merkityjä tuotteita ja akkuja ei saa hävittää tavallisen kotitalousjätteen mukana.

Tuotteissa ja akkuissa on materiaaleja, jotka voidaan ottaa talteen tai kierrättää uudelleen käyttöä varten.

Kierrätä sähkölaitteet ja akut paikallisten määräyksien mukaan. Lisätietoa on saatavilla osoitteessa www.2helpU.com

Tekniset tiedot

		BEBLV290	BEBLV300
Syöttöjännite	V_{AC}	230	230
Ottoteho	W	2900	3000
Teho	L	55	72
Paino (puhallin)	kg	3,6	3,6
Paino (imuri)	kg	4,4	4,4

Äänenpainetaso standardin EN 50636-2-100 mukaan mitattuna

Äänenpainetaso käyttäjän paikalla: (L_{pA}) 90,0 dB(A), epävarmuus (K) 1,2 dB(A)

Äänitehotaso (L_{WA}) 102,5 dB(A), epävarmuus (K) 1,1 dB(A)

Tärinän kokonaisarvot (vektorisumma) standardin EN 50636-2-100 mukaisesti

Tärinä (a_x) 3,0 m/s², epätarkkuus (K) 1,8 m/s²

EY-vaatimustenmukaisuusvakuutus

KONEDIREKTIIVI

ULKOILMAMELUDIREKTIIVI



BEBLV290, BEBLV300 - Puhallin/imuri

Black & Decker ilmoittaa, että tuotteet, jotka on kuvattu kohdassa Tekniset tiedot, täyttävät seuraavien direktiivien

vaatimukset:

2006/42/EY, EN60335-1:2012+A11:2014;

EN50636-2-100:2014

2000/14/EY, puhallin/imuri, liite V

DEKRA Quality B.V., Utrechtseweg 310, 6802 ED Arnhem,

Alankomaat. Ilmoitetun laitoksen tunnusnumero: 0344

Äänitehotaso mitattuna standardin 2000/14/EY mukaisesti (Artikla 13, liite III):

Äänitehotaso: L_{WA}: 102,5 dB(A); K=1,1 dB(A)

Taattu äänitehon taso: L_{WA}: 104 dB(A)

Nämä tuotteet täyttävät myös direktiivien 2014/30/EU ja 2011/65/EU vaatimukset. Lisätietoja saa ottamalla yhteyden Black & Deckeriin seuraavassa osoitteessa. Tiedot ovat myös käyttöohjeen takakannessa.

Allekirjoittaja vastaa teknisistä tiedoista ja antaa tämän vakuutuksen seuraavan yhteyden puolesta:

Black & Decker.

Patrick Diepenbach

Patrick Diepenbach

Pääjohtaja, Benelux

Black and Decker,

Egide Walschaertsstraat 14-18

2800 Mechelen, Belgia

24/11/2021

Takuu

Black & Decker on vakuuttanut tuotteidensa korkeasta laadusta ja tarjoaa kuluttajille 24 kuukauden takuun, joka astuu voimaan ostopäivänä. Takuu on lisäys kuluttajan laillisiin oikeuksiin eikä vaikuta niihin. Tämä takuu on voimassa kaikissa EU- ja ETA-maissa.

Edellytyksenä takuun saamiselle on, että vaade täyttää Black & Deckerin ehdot ja että ostaja toimittaa ototositteen jälleenmyyjälle tai valtuutetulle huoltoilikeelle. Black & Deckerin kahden vuoden takuun ehdot ja lähimmän valtuutetun korjauspalvelun yhteystiedot ovat saatavilla

osoitteessa www.2helpU.com tai ottamalla yhteyttä paikalliseen Black & Deckerin toimipisteeseen tässä ohjekirjassa ilmoitettuihin osoitteisiin. Käy verkkosivuiltamme osoitteessa www.blackanddecker.fi ja rekisteröi uusi Black & Decker -tuotteesi saadaksesi tietoa uusista tuotteista ja erikoistarjouksista.

Προβλεπόμενη χρήση

Οι φυσήκτρες/αναρροφητήρες BLACK+DECKER™ BEBLV290 και BEBLV300 έχουν σχεδιαστεί για εφαρμογές καθαρισμού από φύλλα. Αυτές οι συσκευές προορίζονται μόνο για καταναλωτική χρήση και μόνο για εξωτερικούς χώρους.

Γενικές προειδοποιήσεις ασφαλείας για τη συσκευή



Προειδοποίηση! Κατά τη χρήση συσκευών που τροφοδοτούνται με ηλεκτρικό ρεύμα/μπαταρία, θα

πρέπει να τηρούνται πάντα οι βασικές προφυλάξεις ασφαλείας, συμπεριλαμβανομένων των παρακάτω, για τον περιορισμό του κινδύνου πυρκαγιάς, ηλεκτροπληξίας, σωματικών βλαβών και υλικών ζημιών.

- Διαβάστε ολόκληρο αυτό το εγχειρίδιο προσεκτικά πριν χρησιμοποιήσετε τη συσκευή, και επιπλέον εξοικειωθείτε με τα χειριστήρια και τη σωστή χρήση της συσκευής.
- Η προβλεπόμενη χρήση περιγράφεται στο παρόν εγχειρίδιο. Τόσο η χρήση αξεσουάρ ή προσαρτημάτων, όσο και η πραγματοποίηση με αυτή τη συσκευή οποιασδήποτε εργασίας, πέραν αυτών που συνιστώνται στο παρόν εγχειρίδιο οδηγιών, μπορεί να εγκυμονεί κίνδυνο σωματικών βλαβών.

Ο χαρακτηρισμός "συσκευή" που χρησιμοποιείται σε όλες τις παρακάτω προειδοποιήσεις αφορά τη συσκευή που συνδέεται στην πρίζα (με καλώδιο) ή που λειτουργεί με μπαταρία (χωρίς καλώδιο).

Φυλάξτε όλες τις προειδοποιήσεις και τις οδηγίες για μελλοντική αναφορά.

Χρήση της συσκευής

- Προσέχετε πάντα όταν χρησιμοποιείτε τη συσκευή.
- Διατηρείτε το χώρο εργασίας καθαρό και καλά φωτισμένο. Οι ατακτοποιήτοι ή σκοτεινοί χώροι γίνονται αιτίες ατυχημάτων.
- Χρησιμοποιείτε τη συσκευή μόνο στο φως της ημέρας ή σε καλό τεχνητό φωτισμό.
- Μη χρησιμοποιείτε τη συσκευή σας σε περιβάλλον όπου υπάρχει κίνδυνος έκρηξης, π.χ. λόγω παρουσίας εύφλεκτων υγρών, αερίων ή σκόνης.
- Ποτέ μην επιτρέπτε σε άτομα που δεν είναι εξοικειωμένα με τις οδηγίες χρήσης να χρησιμοποιήσουν τη συσκευή, τοπικοί κανονισμοί μπορεί να θέτουν περιορισμούς στην ηλικία του χειριστή.
- Μην επιτρέπτε σε παιδιά ή ζώα να πλησιάζουν στο χώρο εργασίας ή να αγγίζουν τη συσκευή ή το καλώδιο τροφοδοσίας.
- Όταν χρησιμοποιείτε μια συσκευή, κρατάτε μακριά παιδιά, άλλα άτομα και ζώα. Παράγοντες που αποσπούν την προσοχή μπορεί να σας κάνουν να χάσετε τον έλεγχο.
- Η συσκευή δεν πρέπει να χρησιμοποιείται ως παιχνίδι.
- Μη βυθίζετε τη συσκευή σε νερό.
- Μην ανοίγετε το περίβλημα του σώματος της συσκευής. Δεν υπάρχουν στο εσωτερικό εξαρτήματα που επιδέχονται σέρβις από το χρήστη.

Προσωπική ασφάλεια

- Προσέξτε, όταν χρησιμοποιείτε μια συσκευή, να συγκεντρώνεστε στην εργασία που κάνετε και να επιστρατεύετε την κοινή λογική.

Μη χρησιμοποιείτε μια συσκευή όταν είστε κουρασμένοι ή όταν βρίσκεστε υπό την επήρεια ναρκωτικών, οινοπνεύματος ή φαρμάκων. Μια στιγμιαία απροσεξία κατά το χειρισμό μιας συσκευής μπορεί να οδηγήσει σε σοβαρούς τραυματισμούς.

- ◆ Να χρησιμοποιείτε ατομικό προστατευτικό εξοπλισμό, όπου απαιτείται. Ο κίνδυνος τραυματισμών μειώνεται όταν χρησιμοποιείτε προστατευτικά ματιών, εξοπλισμό προστασίας, όπως μάσκα προστασίας από σκόνη, αντιολισθητικά παπούτσια ασφαλείας, κράνη ή ωτασπίδες, ανάλογα με τις συνθήκες εργασίας.
- ◆ Αποφεύγετε την ακούσια ενεργοποίηση. Βεβαιωθείτε ότι ο διακόπτης λειτουργίας βρίσκεται στη θέση "OFF" πριν συνδέσετε τη συσκευή στην πρίζα και/ή στην μπαταρία και πριν τη σηκώσετε ή τη μεταφέρετε. Η μεταφορά συσκευών με το δάχτυλό σας στο διακόπτη ή η σύνδεση στην πρίζα συσκευών με το διακόπτη στην ενεργοποιημένη θέση, ενέχει κινδύνους πρόκλησης ατυχημάτων.
- ◆ Μην τεντώνετε υπερβολικά. Διατηρείτε πάντα σταθερή στήριξη στα πόδια σας και καλή ισορροπία. Αυτό σας επιτρέπει τον καλύτερο έλεγχο της συσκευής σε περιπτώσεις απροσδόκτων καταστάσεων.
- ◆ Φοράτε κατάλληλο ρουχισμό. Μη φοράτε φαρδιά ρούχα ούτε κοσμήματα. Κρατάτε τα μαλλιά, τα ρούχα και τα γάντια σας μακριά από κινούμενα μέρη. Τα φαρδιά ρούχα, τα κοσμήματα και τα μακριά μαλλιά μπορούν να πιασούν σε κινούμενα μέρη.

Χρήση και συντήρηση της συσκευής

- ◆ Πριν από τη χρήση, ελέγξτε τη συσκευή για εξαρτήματα που έχουν υποστεί ζημιά ή βλάβη.

Ελέγξτε αν υπάρχουν σπασμένα εξαρτήματα, ζημιά σε διακόπτες και οτιδήποτε άλλο μπορεί να επηρεάσει τη λειτουργία της.

- ◆ Μη χρησιμοποιείτε τη συσκευή εάν ο διακόπτης λειτουργίας δεν την ενεργοποιεί και απενεργοποιεί. Μια συσκευή της οποίας η λειτουργία δεν μπορεί να ελεγχθεί με το διακόπτη είναι επικίνδυνη και πρέπει να επισκευαστεί.
- ◆ Αποσυνδέστε το φως από την πρίζα και/ή αφαιρέστε το πακέτο μπαταρίας από τη συσκευή, πριν διεξαγάτε οποιαδήποτε εργασία ρύθμισης, αλλαγή αξεσουάρ ή αποθηκεύσετε τη συσκευή. Αυτά τα προληπτικά μέτρα ασφαλείας μειώνουν τον κίνδυνο να τεθεί η συσκευή ακούσια σε λειτουργία.
- ◆ Όπου έχει εφαρμογή, διατηρείτε τα κοπτικά εργαλεία κοφτερά και καθαρά. Τα κοπτικά εργαλεία με κοφτερές κοπτικές αιχμές που συντηρούνται σωστά έχουν λιγότερες πιθανότητες να μαγκώσουν και ελέγχονται ευκολότερα.
- ◆ Μη χρησιμοποιήσετε τη συσκευή αν οποιοδήποτε εξάρτημά της έχει υποστεί ζημιά ή βλάβη.
- ◆ Φροντίστε η επισκευή ή αντικατάσταση των εξαρτημάτων που τυχόν έχουν υποστεί ζημιά ή βλάβη να γίνεται από εξουσιοδοτημένο αντιπρόσωπο επισκευών.
- ◆ Μην επιχειρήσετε ποτέ να αφαιρέσετε ή να αντικαταστήσετε οποιοδήποτε εξάρτημα, εκτός από αυτά που καθορίζονται στο παρόν εγχειρίδιο.

Ασφαλής χρήση ηλεκτρικού ρεύματος

- ◆ Το φως της συσκευής πρέπει να ταιριάζει στην αντίστοιχη πρίζα.

Σε καμία περίπτωση μην τροποποιήσετε το φιν, με κανένα τρόπο. Μη χρησιμοποιείτε προσαρμοστικά φιν με γειωμένες συσκευές. Τα φιν που δεν έχουν υποστεί τροποποιήσεις και οι κατάλληλες πρίζες μειώνουν τον κίνδυνο ηλεκτροπληξίας.

- ◆ Μην εκθέτετε τη συσκευή στη βροχή ή στην υγρασία. Η διείσδυση νερού στη συσκευή αυξάνει τον κίνδυνο ηλεκτροπληξίας.
- ◆ Μην κακομεταχειρίζεστε το καλώδιο. Μη χρησιμοποιείτε ποτέ το καλώδιο για να μεταφέρετε τη συσκευή, να την τραβήξετε ή να την αποσυνδέσετε από την πρίζα. Κρατάτε το καλώδιο μακριά από θερμότητα, λάδια, αιχμηρά άκρα ή κινούμενα μέρη. Τα καλώδια που έχουν υποστεί ζημιά ή είναι μπερδεμένα αυξάνουν τον κίνδυνο ηλεκτροπληξίας.
- ◆ Όταν χρησιμοποιείτε μια συσκευή σε εξωτερικούς χώρους, να χρησιμοποιείτε πάντοτε καλώδια επέκτασης κατάλληλα για χρήση σε εξωτερικούς χώρους. Η χρήση καλωδίου κατάλληλου για εργασία σε εξωτερικούς χώρους μειώνει τον κίνδυνο ηλεκτροπληξίας.
- ◆ Εάν η χρήση μιας συσκευής σε μια υγρή τοποθεσία είναι αναπόφευκτη, χρησιμοποιήστε τροφοδοσία με Διάταξη προστασίας από ρεύμα διαρροής (RCD). Η χρήση μιας διάταξης RCD μειώνει τον κίνδυνο ηλεκτροπληξίας.

Μετά τη χρήση

- ◆ Όταν δεν χρησιμοποιείται η συσκευή, πρέπει να φυλάσσεται σε στεγνό, καλά αεριζόμενο χώρο, μακριά από παιδιά.
- ◆ Τα παιδιά δεν πρέπει να έχουν πρόσβαση σε αποθηκευμένες συσκευές.
- ◆ Όταν η συσκευή αποθηκεύεται ή μεταφέρεται μέσα σε όχημα πρέπει να τοποθετείται στο χώρο αποσκευών ή να στερεώνεται ώστε

να μη μετακινείται σε περίπτωση απότομων μεταβολών της ταχύτητας ή της κατεύθυνσης του οχήματος.

Σέρβις

- ◆ Το σέρβις της συσκευής σας πρέπει να αναλαμβάνει εξειδικευμένος τεχνικός που θα χρησιμοποιεί μόνο γνήσια ανταλλακτικά. Έτσι εξασφαλίζεται η διατήρηση της ασφάλειας της συσκευής.

Πρόσθετες οδηγίες ασφαλείας για φυσητήρες/αναρροφητήρες

Η προβλεπόμενη χρήση περιγράφεται σε αυτό το εγχειρίδιο. Η χρήση οποιουδήποτε αξεσουάρ ή προσαρτήματος ή η εκτέλεση με αυτή τη συσκευή οποιασδήποτε άλλης εργασίας πέρα από αυτές που συνιστώνται στο παρόν εγχειρίδιο οδηγιών ενδέχεται να εγκυμονεί κίνδυνο τραυματισμού ή/και υλικών ζημιών.

- ◆ Για την προστασία των ποδιών σας κατά τη χρήση της συσκευής, να φοράτε πάντα υποδήματα βαρέος τύπου και μακρύ παντελόνι.
- ◆ Μη χρησιμοποιείτε τη συσκευή σας σε λειτουργία αναρροφητήρα χωρίς να έχετε τοποθετήσει τους σωλήνες αναρρόφησης και τη σακούλα περισυλλογής.
- ◆ Πάντα να απενεργοποιείτε το προϊόν σας, να αφήνετε τον ανεμιστήρα να σταματήσει εντελώς και να αποσυνδέετε το φιν από την πρίζα, όταν:
 - ◆ Κάνετε αλλαγή από λειτουργία φυσητήρα σε λειτουργία αναρροφητήρα.
 - ◆ Το καλώδιο τροφοδοσίας έχει υποστεί ζημιά ή έχει μπλεχτεί κάπου.
 - ◆ Αφήνετε τη συσκευή χωρίς επιτήρηση.
 - ◆ Καθαρίζετε τη συσκευή σε περίπτωση απόφραξης.
 - ◆ Ελέγχετε, ρυθμίζετε, καθαρίζετε ή εργάζεστε στη συσκευή σας.

- ◆ Αν η συσκευή αρχίζει να δονείται με μη φυσιολογικό τρόπο.
- ◆ Μην τοποθετείτε το στόμιο εισαγωγής ή εξαγωγής του σωλήνα αναρρόφησης κοντά στα μάτια ή τα αυτιά κάποιου ατόμου κατά τη λειτουργία της συσκευής.
- ◆ Ποτέ μη φυσάτε τα άχρηστα υλικά προς την κατεύθυνση παρευρισκόμενων ατόμων.
- ◆ Μη χρησιμοποιείτε τη συσκευή στη βροχή και μην την αφήνετε σε εξωτερικό χώρο ενώ βρέχει.
- ◆ Μη διασχίζετε μονοπάτια ή δρόμους με χαλίκι με τη συσκευή σας ενεργοποιημένη σε λειτουργία φυσητήρα/αναροφητήρα.
- ◆ Βαδίζετε αργά και σε καμία περίπτωση, μην τρέχετε.
- ◆ Μην τοποθετείτε τη συσκευή σας σε έδαφος με χαλίκι όταν είναι ενεργοποιημένη.
- ◆ Πάντα προσέχετε πώς βαδίζετε, ιδιαίτερα σε εδάφη με κλίση.
- ◆ Μην τεντώνετε για να εργαστείτε σε σημεία που δεν φτάνετε καλά και να διατηρείτε συνεχώς την ισορροπία σας.
- ◆ Μην περισυλλέγετε υλικό στο οποίο μπορεί να έχει πέσει εύφλεκτο ή καύσιμο υγρό, όπως π.χ. βενζίνη, και μη χρησιμοποιείτε τη συσκευή σε περιοχές όπου μπορεί να υπάρχουν τέτοια υγρά.
- ◆ Μην τοποθετείτε αντικείμενα μέσα στα ανοίγματα της συσκευής. Σε καμία περίπτωση μη χρησιμοποιήσετε τη συσκευή εάν τα ανοίγματά της είναι φραγμένα - φροντίστε τα ανοίγματα να παραμένουν καθαρά από τρίχες, χνούδια, σκόνη ή οτιδήποτε άλλο μπορεί να μειώσει τη ροή του αέρα.

Προειδοποίηση! Πάντα να χρησιμοποιείτε τη συσκευή σας με τον τρόπο που υποδεικνύεται στο παρόν εγχειρίδιο.

Η συσκευή σας είναι σχεδιασμένη για χρήση σε όρθια θέση και εάν χρησιμοποιηθεί με οποιονδήποτε άλλο τρόπο, μπορεί να προκαλέσει τραυματισμό. Μη χρησιμοποιείτε τη συσκευή σας στηριγμένη σε μια από τις πλευρές της ή τοποθετημένη ανάποδα.

- ◆ Ο φορέας λειτουργίας ή ο χρήστης είναι πάντα υπεύθυνος για ατυχήματα ή κινδύνους που προκαλούνται σε τρίτους ή στην ιδιοκτησία τους.
- ◆ Μη μεταφέρετε τη συσκευή από το καλώδιό της.
- ◆ Πάντα να κατευθύνετε το καλώδιο προς τα πίσω, μακριά από τη συσκευή.

Προειδοποίηση! Εάν το καλώδιο τροφοδοσίας υποστεί ζημιά κατά τη χρήση, αποσυνδέστε το αμέσως από την πρίζα. Μην αγγίζετε το καλώδιο τροφοδοσίας πριν το αποσυνδέσετε από την πρίζα.

- ◆ Μη χρησιμοποιείτε διαλύτες ή καθαριστικά υγρά για τον καθαρισμό του προϊόντος. Χρησιμοποιείτε μια μη αιχμηρή ξύστρα για να αφαιρέσετε το γρασιδί και το χώμα.
- ◆ Ελέγχετε τακτικά τη σακούλα περισυλλογής για τυχόν φθορές.
- ◆ Ανταλλακτικοί ανεμιστήρες είναι διαθέσιμοι από αντιπρόσωπο σέρβις της BLACK+DECKER. Χρησιμοποιείτε ανταλλακτικά και αξεσουάρ που συνιστά η BLACK+DECKER.
- ◆ Διατηρείτε καλά σφιγμένα όλα τα παξιμάδια, τα μπουλόνια και τις βίδες στη συσκευή προκειμένου να εξασφαλίζεται η ασφαλής κατάσταση λειτουργίας.

Ασφάλεια τρίτων

- ◆ Αυτή η συσκευή μπορεί να χρησιμοποιηθεί από παιδιά ηλικίας 8 ετών και άνω καθώς και από άτομα με μειωμένες σωματικές, αισθητηριακές ή διανοητικές ικανότητες ή άτομα χωρίς εμπειρία και γνώσεις, μόνο εφόσον τα άτομα

αυτά επιτηρούνται ή τους έχουν δοθεί οδηγίες σχετικά με την ασφαλή χρήση της συσκευής και έχουν κατανοήσει τους πιθανούς κινδύνους. Τα παιδιά δεν πρέπει να παίζουν με τη συσκευή. Ο καθαρισμός και η συντήρηση από το χρήστη δεν πρέπει να γίνονται από παιδιά χωρίς επίβλεψη.

- ♦ Τα παιδιά θα πρέπει να βρίσκονται υπό επίβλεψη, ώστε να διασφαλίζεται ότι δεν παίζουν με τη συσκευή.

Ασφαλής χρήση ηλεκτρικού ρεύματος



Αυτή η συσκευή φέρει διπλή μόνωση, επομένως δεν απαιτείται σύρμα γείωσης.

Ελέγχετε πάντα ότι η παροχή ρεύματος αντιστοιχεί στην τάση που αναφέρεται στην πινακίδα στοιχείων.

- ♦ Αν το καλώδιο ρεύματος έχει υποστεί ζημιά, η αντικατάστασή του πρέπει να γίνει από τον κατασκευαστή ή από ένα εξουσιοδοτημένο κέντρο επισκευών της BLACK+DECKER, ώστε να μην αποτελέσει κίνδυνο.
- ♦ Η ηλεκτρική ασφάλεια μπορεί να βελτιωθεί ακόμα περισσότερο με τη χρήση μιας Διάταξης Προστασίας Ρεύματος Διαρροής (RCD) 30 mA υψηλής ευαισθησίας.

Χρήση καλωδίου επέκτασης

Χρησιμοποιείτε πάντα εγκεκριμένο καλώδιο επέκτασης, κατάλληλο για την ισχύ εισόδου αυτού του εργαλείου (δείτε τεχνικά χαρακτηριστικά). Το καλώδιο επέκτασης πρέπει να είναι κατάλληλο για χρήση σε εξωτερικούς χώρους και να φέρει την αντίστοιχη σήμανση. Μπορείτε να χρησιμοποιήσετε ένα καλώδιο επέκτασης 1.5 mm² HO5V V-F μήκους έως 30 m, χωρίς απώλειες απόδοσης.

Πριν από τη χρήση, ελέγξτε προσεκτικά το καλώδιο επέκτασης για σημάδια ζημιάς, φθοράς ή παλαιώσης. Αντικαταστήστε το καλώδιο επέκτασης αν παρουσιάσει ζημιά ή βλάβη. Όταν χρησιμοποιείτε καλώδιο σε καρούλι, πάντα ξετυλίγετε τελείως το καλώδιο.

Υπολειπόμενοι κίνδυνοι

Κατά τη χρήση του εργαλείου μπορεί να δημιουργηθούν πρόσθετοι υπολειπόμενοι κίνδυνοι, οι οποίοι ενδέχεται να μη συμπεριλαμβάνονται στις προειδοποιήσεις ασφαλείας που εσωκλείονται. Αυτοί οι κίνδυνοι μπορεί να προκληθούν από κακή χρήση, παρατεταμένη χρήση κλπ. Ακόμα και με την τήρηση των σχετικών κανονισμών ασφαλείας και τη χρήση διατάξεων ασφαλείας, ορισμένοι υπολειπόμενοι κίνδυνοι δεν είναι δυνατόν να εξαλειφθούν. Αυτοί περιλαμβάνουν:

- ♦ Τραυματισμοί από επαφή με οποιαδήποτε περιστρεφόμενα/κινούμενα μέρη.
- ♦ Τραυματισμοί κατά την αλλαγή οποιωνδήποτε εξαρτημάτων, λεπίδων ή αξεσουάρ.
- ♦ Σωματικές βλάβες από παρατεταμένη χρήση εργαλείου. Όταν χρησιμοποιείτε οποιοδήποτε εργαλείο για παρατεταμένα χρονικά διαστήματα, μην παραλείπετε με κανένα τρόπο να κάνετε τακτικά διαλείμματα.
- ♦ Βλάβη της ακοής.
- ♦ Κίνδυνοι στην υγεία που προκαλούνται από την εισπνοή σκόνης όταν χρησιμοποιείτε το εργαλείο (παράδειγμα:- όταν επεξεργάζεστε ξύλο, ειδικά δρυ, οξιά και MDF).

Κραδασμοί

Η δηλωμένη τιμή εκπομπής κραδασμών που αναφέρεται στα τεχνικά χαρακτηριστικά και τη δήλωση συμμόρφωσης έχει μετρηθεί σύμφωνα με τυποποιημένη μέθοδο δοκιμής που προβλέπεται

από το πρότυπο EN50636 και μπορεί να χρησιμοποιηθεί για τη σύγκριση ενός εργαλείου με ένα άλλο. Η δηλωμένη τιμή εκπομπής κραδασμών μπορεί επίσης να χρησιμοποιηθεί σε έναν προκαταρκτικό προσδιορισμό της έκθεσης σε κραδασμούς.

Προειδοποίηση! Στην πράξη, η τιμή εκπομπής κραδασμών κατά την χρήση του ηλεκτρικού εργαλείου μπορεί να διαφέρει από την τιμή που δηλώθηκε, ανάλογα με τον τρόπο που χρησιμοποιείται το εργαλείο. Το επίπεδο κραδασμών μπορεί να αυξηθεί πάνω από το επίπεδο που έχει δηλωθεί.

Κατά τον προσδιορισμό της έκθεσης σε κραδασμούς για τον καθορισμό των απαιτούμενων μέτρων ασφαλείας σύμφωνα με την οδηγία 2002/44/ΕΚ για την προστασία προσώπων που χρησιμοποιούν συχνά ηλεκτρικά εργαλεία στην εργασία τους, μια προσεγγιστική εκτίμηση της έκθεσης σε κραδασμούς πρέπει να λαμβάνει υπόψη τις πραγματικές συνθήκες χρήσης και τον τρόπο χρήσης του εργαλείου, συμπεριλαμβανομένων και όλων των επιμέρους τμημάτων του κύκλου εργασίας, όπως τα χρονικά διαστήματα που το εργαλείο ήταν εκτός λειτουργίας και τα διαστήματα λειτουργίας χωρίς φορτίο, επιπλέον του χρόνου πίεσης της σκανδάλης.

Ετικέτες στη συσκευή

Τα εικονογράμματα που ακολουθούν μαζί με τον κωδικό ημερομηνίας εμφανίζονται πάνω στο εργαλείο.



Προειδοποίηση! Διαβάστε το εγχειρίδιο οδηγιών πριν από τη λειτουργία.



Φοράτε γυαλιά ασφαλείας ή ειδικά προστατευτικά γυαλιά όταν χρησιμοποιείτε αυτή τη συσκευή.



Να φοράτε ωτασπίδες κατά το χειρισμό της συσκευής.



Μην εκθέτετε το εργαλείο στη βροχή ή σε υψηλή υγρασία και μην το αφήνετε στο ύπαιθρο όταν βρέχει.



Απενεργοποιήστε το: αφαιρέστε το φως από την πρίζα πριν από τον καθαρισμό ή τη συντήρηση.



Αποσυνδέστε το φως ρευματοληψίας αν το καλώδιο υποστεί ζημιά ή μπερδευτεί.



Προσέχετε για τυχόν αντικείμενα που εκσφενδονίζονται.



Μην επιτρέπετε να πλησιάσουν άλλα άτομα.



Εγγυημένη ηχητική ισχύς σύμφωνα με την Οδηγία 2000/14/ΕΚ.

Χαρακτηριστικά

Η συσκευή αυτή διαθέτει μερικά ή όλα από τα παρακάτω χαρακτηριστικά.

1. Διακόπτης ενεργοποίησης/ απενεργοποίησης (On/Off) - ρύθμιση ταχύτητας
2. Μποροστική λαβή
3. Πίσω λαβή
4. Κεφαλή ισχύος
5. Επάνω σωλήνας αναρρόφησης
6. Κάτω σωλήνας αναρρόφησης
7. Επάνω σωλήνας φυσητήρα
8. Κάτω σωλήνας φυσητήρα
9. Συγκεντρωτής
10. Σακούλα περισυλλογής
11. Σύνδεσμος σακούλας

Χρήση του προϊόντος

Προειδοποίηση! Κατά τη χρήση της συσκευής σας ως φυσητήρα ή ως αναρροφητήρα, να φοράτε πάντα προστατευτικά γυαλιά. Όταν τη χρησιμοποιείτε σε περιβάλλον με σκόνη, να φοράτε επίσης μάσκα με φίλτρο.

Προειδοποίηση! Πριν από την εκτέλεση εργασιών ρύθμισης, σέρβις ή συντήρησης, απενεργοποιείτε τη συσκευή σας, αφήνετε τον ανεμιστήρα να σταματήσει εντελώς και αποσυνδέετε το φως από την πρίζα.

Συναρμολόγηση



Προειδοποίηση! Πριν από τη συναρμολόγηση, βεβαιωθείτε ότι η συσκευή είναι απενεργοποιημένη και αποσυνδεδεμένη από την πρίζα.



Προειδοποίηση! Να φοράτε πάντα προστατευτικά γάντια όταν εργάζεστε με το φυσητήρα/αναρρόφητήρα.

Συναρμολόγηση των σωλήνων αναρρόφησης (εικ. Α)

Οι σωλήνες αναρρόφησης πρέπει να συναρμολογηθούν σχηματίζοντας ένα ενιαίο συγκρότημα πριν από τη χρήση.

Προειδοποίηση! Μη χρησιμοποιείτε τη συσκευή με τους σωλήνες αναρρόφησης διαχωρισμένους.

- ◆ Για να διευκολύνετε τη συναρμολόγηση, διαβρέξτε τις επιφάνειες ένωσης με σαπουνάδα.
- ◆ Ευθυγραμμίστε τις εγκοπές (5a) και τις εσοχές (6a) στον επάνω (5) και στον κάτω (6) σωλήνα αναρρόφησης.
- ◆ Πιέστε με δύναμη τον κάτω σωλήνα αναρρόφησης (6) μέσα στον επάνω σωλήνα αναρρόφησης (5) μέχρι να ασφαλισούν στη θέση τους.

Προειδοποίηση! Μη διαχωρίσετε τους σωλήνες μετά τη συναρμολόγηση τους.

Λειτουργία αναρρόφησης (εικ. Β, C, D, E, F, G, H, I, J, K, L, M)

- ◆ Περιστρέψτε το συγκρότημα προστατευτικού του ανεμιστήρα αριστερότροφα (εικ. Β).
- ◆ Εισάγετε τη ράβδο (14) (παρέχεται) στο μηχανισμό απελευθέρωσης (13) του προστατευτικού του ανεμιστήρα και ωθήστε την προς τα εμπρός για να απελευθερώσετε το συγκρότημα προστατευτικού του ανεμιστήρα (12) όπως δείχνει η εικόνα C.
- ◆ Ρίξτε το συγκρότημα προστατευτικού του ανεμιστήρα (12) προς τα εμπρός, όπως δείχνει η εικόνα D.
- ◆ Εισάγετε τον συναρμολογημένο σωλήνα αναρρόφησης (5) στη διαθέσιμη εσοχή στην κεφαλή ισχύος (4) όπως δείχνει η εικόνα E.
- ◆ Περιστρέψτε τον συναρμολογημένο σωλήνα υποπίεσης δεξιότροφα ώστε το σύστημα στερέωσης μηχανισμό να ασφαλίσει στη θέση του όπως δείχνει η εικόνα E.
- ◆ Εισάγετε τη σακούλα περισυλλογής (11) πάνω στην υποδοχή (11a) της κεφαλής ισχύος, όπως δείχνει η εικόνα F.
- ◆ Τοποθετήστε τους μίαντες από τη σακούλα περισυλλογής (10) πάνω από τους ώμους σας (εικ. G), αυτό θα συγκρατήσει το πρόσθετο βάρος καθώς γεμίζει η σακούλα περισυλλογής στον ώμο.
- ◆ Τοποθετήστε το σωλήνα αναρρόφησης ελαφρώς επάνω από τα άχρηστα υλικά/φύλλα. Ενεργοποιήστε τη συσκευή ιθύνοντας τον διακόπτη On/Off (1) προς τα πάνω (εικ. Η, ένθετο) και εκτελέστε μια κίνηση "σάρωσης". Τα άχρηστα υλικά/φύλλα θα αναρροφηθούν από το σωλήνα και θα οδηγηθούν στη σακούλα περισυλλογής (10) (εικ. Η).
- ◆ Καθώς η σακούλα περισυλλογής γεμίζει, η ισχύς αναρρόφησης μειώνεται. Απενεργοποιήστε τη συσκευή και αποσυνδέστε την από την πρίζα.
- ◆ Ξεκουμπώστε την ασφάλεια (10a) στη σακούλα περισυλλογής τύπου σακιδίου πλάτης (εικ. Ι).
- ◆ Ξεδιπλώστε το άνοιγμα της σακούλας περισυλλογής τύπου σακιδίου πλάτης (εικ. J).
- ◆ Ανοίξτε τη σακούλα συλλογής τύπου σακιδίου πλάτης (εικ. Κ) και αδειάστε τα περιεχόμενά της.
- ◆ Για να σφραγίσετε τη σακούλα περισυλλογής, κρατήστε μαζί τις εύκαμπτες ράβδους και τυλίξτε 2-3 φορές (εικ. L).
- ◆ Ασφαλίστε το κλιπ συγκράτησης (10a) όπως δείχνει η εικόνα M.

Προειδοποίηση! Ποτέ μην αφαιρείτε τη σακούλα περισυλλογής πριν απενεργοποιήσετε τη συσκευή και την αποσυνδέσετε από την πρίζα.

Σημείωση: Εάν η αναρρόφηση μειωθεί και η σακούλα δεν είναι γεμάτη, πιθανόν να έχει φράξει ο σωλήνας αναρρόφησης με άχρηστα υλικά.

Απενεργοποιήστε και αποσυνδέστε τον αναρροφητήρα από την πρίζα και καθαρίστε το σωλήνα πριν συνεχίσετε.

- ◆ Όταν ολοκληρωθεί αυτή η εργασία, περιστρέψτε τον συναρμολογημένο σωλήνα αναρρόφησης αριστερότροφα, για να ελευθερώσετε το σύστημα στερέωσης τύπου μηχανισμό. Εισάγετε τη ράβδο (14) στο μηχανισμό απελευθέρωσης (13) του προστατευτικού του ανεμιστήρα και ωθήστε την προς τα πάνω για να ελευθερώσετε τον τοποθετημένο σωλήνα αναρρόφησης. Αφαιρέστε τον τοποθετημένο σωλήνα αναρρόφησης από την κεφαλή ισχύος όπως δείχνει η εικόνα N.
- ◆ Επανατοποθετήστε το συγκρότημα προστατευτικού του ανεμιστήρα όπως δείχνει η εικόνα O.
- ◆ Περιστρέψτε το συγκρότημα προστατευτικού του ανεμιστήρα δεξιότροφα όπως δείχνει η εικόνα P.

Λειτουργία φυσητήρα (εικ. Q, R, S, T)

- ◆ Συναρμολογήστε τον επάνω σωλήνα φυσητήρα (7), τον κάτω σωλήνα φυσητήρα (8) και τον προαιρετικό συγκεντρωτή (9) όπως δείχνει η εικόνα Q.
- ◆ Ωθήστε το συναρμολογημένο σωλήνα φυσητήρα στην έξοδο αναρρόφησης (11a) μέχρι η ασφάλεια να συνδεθεί σταθερά με το σωλήνα φυσητήρα όπως δείχνει η εικόνα R.

Προειδοποίηση! Ποτέ μη χρησιμοποιήσετε τη συσκευή σε λειτουργία φυσητήρα χωρίς να έχετε στερεώσει καλά στη θέση του το σωλήνα φυσητήρα.

- ◆ Κρατήστε το σωλήνα φυσητήρα σε απόσταση 180 mm περίπου από την επιφάνεια του εδάφους, ενεργοποιήστε τη συσκευή και εκτελώντας μια κίνηση "σάρωσης" από τη μια πλευρά στην άλλη, προχωρήστε αργά κρατώντας τα συσσωρευμένα άχρηστα υλικά/φύλλα μπροστά σας (εικ. S).
- ◆ Αφού έχετε φυσηξει τα άχρηστα υλικά/φύλλα ώστε να σχηματίσετε ένα σωρό, μπορείτε να αφαιρέσετε το συγκρότημα σωλήνα φυσητήρα εισάγοντας τη ράβδο (14) στο άνοιγμα στην κεφαλή αναρρόφησης και ωθώντας προς τα κάτω για να ελευθερώσετε την ασφάλεια όπως δείχνει η εικόνα T.
- ◆ Τώρα μπορείτε να αλλάξετε λειτουργία σε λειτουργία αναρρόφησης και να συλλέξετε τα άχρηστα υλικά.

Αντιμετώπιση προβλημάτων

Πρόβλημα	Πιθανή λύση
H συσκευή δεν λειτουργεί	Ελέγξτε τη σύνδεση με την παροχή ρεύματος
	Ελέγξτε την ασφάλεια στο φις. Εάν είναι καμένη, αντικαταστήστε την (μόνο για το Hv.Boo.).
	Ελέγξτε ότι το συγκρότημα σωλήνων φυσητήρα/αναρρόφησης είναι τοποθετημένο σωστά στην κινητήρα κεφαλή.
	Αν η ασφάλεια εξακολουθεί να καίγεται - αποσυνδέστε αμέσως τη συσκευή από την παροχή ρεύματος δικτύου και απευθυνθείτε στον τοπικό εξουσιοδοτημένο αντιπρόσωπο επισκευών της BLACK+DECKER.

Πολύ χαμηλή απόδοση αναρρόφησης/συρμιγμός υψηλής συχνότητας	Απεργονοποιήστε τη συσκευή και αποσυνδέστε την από την ηλεκτρική τροφοδοσία. Τα άχρηστα υλικά θα πρέπει να πέφτουν μακριά από το σωλήνα.
	Αφαιρέστε και αδειάστε τη σακούλα περισυλλογής.
	Ελέγξτε ότι και το στόμιο εισαγωγής και εξαγωγής του σωλήνα αναρρόφησης είναι ελεύθερα.
	Καθαρίστε τυχόν άχρηστα υλικά από την περιοχή του ανεμιστήρα.
	Εάν η απόδοση της αναρρόφησης εξακολουθεί να είναι πολύ χαμηλή - αποσυνδέστε αμέσως τη συσκευή από την παροχή ρεύματος δικτύου και απευθυνθείτε στον τοπικό εξουσιοδοτημένο αντιπρόσωπο σέρβις της BLACK+DECKER

Συντήρηση

Αυτή η συσκευή BLACK+DECKER έχει σχεδιαστεί έτσι ώστε να λειτουργεί για μεγάλο χρονικό διάστημα με την ελάχιστη δυνατή συντήρηση. Η συνεχής ικανοποιητική λειτουργία εξαρτάται από τη σωστή φροντίδα και τον τακτικό καθαρισμό της συσκευής.

- ◆ Διατηρείτε τη συσκευή καθαρή και στεγνή.
- ◆ Αφαιρέστε τυχόν φύλλα που έχουν κολλήσει στο εσωτερικό του σωλήνα αναρρόφησης.
- ◆ Καθαρίζετε σε τακτική βάση τις εγκοπές εξερισμού με ένα καθαρό, στεγνό πινέλο βαφής.
- ◆ Καθαρίζετε τακτικά τη σακούλα περισυλλογής και εξασφαλίζετε ότι είναι καθαρή και άδεια μετά από κάθε χρήση.
- ◆ Για τον καθαρισμό της συσκευής, χρησιμοποιείτε αποκλειστικά ήπιο απορρυπαντικό και υγρό πανί. Μην επιτρέψετε ποτέ να εισέλθει υγρό στο εσωτερικό της συσκευής και μη βυθίσετε ποτέ οποιοδήποτε εξάρτημα της συσκευής σε υγρό. Μη χρησιμοποιείτε λιπαντικά καθαριστικά ή υγρά καθαρισμού που περιέχουν διαλυτικά.
- ◆ Το προϊόν σας χρησιμοποιεί αυτοπαινιόμενα έδρανα, επομένως δεν χρειάζεται λίπανση.

Αντικατάσταση του φιλτράρισμα ρευματοληψίας (Ην. Βασίλειο & Ιρλανδία μόνο)

Αν χρειάζεται να τοποθετηθεί νέο φιλτράρισμα ρευματοληψίας:

- ◆ Απορρίψτε με ασφαλή τρόπο το παλιό φιλτράρισμα.
- ◆ Συνδέστε τον καφέ αγωγό στον ηλεκτροφόρο ακροδέκτη (φάση) του νέου φιλτράρισμα.
- ◆ Συνδέστε τον μπλε αγωγό στον ουδέτερο ακροδέκτη.

Προειδοποίηση! Δεν πρέπει να γίνει καμία σύνδεση στον ακροδέκτη γείωσης. Ακολουθήστε τις οδηγίες συναρμολόγησης που συνοδεύουν τα καλής ποιότητας φιλτράρισμα. Συνιστώμενη ασφάλεια: 13A.

Προστασία του περιβάλλοντος



Χωριστή συλλογή. Τα προϊόντα και οι μπαταρίες που επισημαίνονται με αυτό το σύμβολο δεν πρέπει να απορρίπτονται μαζί με τα κανονικά οικιακά απορρίμματα.

Τα προϊόντα και οι μπαταρίες περιέχουν υλικά που μπορούν να ανακτηθούν ή να ανακυκλωθούν ώστε να μειωθούν οι ανάγκες για πρώτες ύλες. Παρακαλούμε να ανακυκλώνετε τα ηλεκτρικά προϊόντα και τις μπαταρίες σύμφωνα με τους τοπικούς κανονισμούς. Περισσότερες πληροφορίες διατίθενται στον ιστότοπο www.2helpu.com

Τεχνικά δεδομένα

		BEBLV290	BEBLV300
Τάση εισόδου	V _{AC}	230	230
Κατανάλωση ισχύος	W	2900	3000
Χωρητικότητα	L	55	72
Βάρος (φυσικήρας)	kg	3,6	3,6
Βάρος (αναρροφητήρας)	kg	4,4	4,4

Στάθμη ηχητικής πίεσης, μετρημένης σύμφωνα με το πρότυπο EN 50636-2-100

Στάθμη ηχητικής πίεσης στη θέση του χειριστή: (L_{PA}) 90,0 dB(A), αβεβαιότητα (K) 1,2 dB(A)
Στάθμη ηχητικής ισχύος (L_{WA}) 102,5 dB(A), αβεβαιότητα (K) 1,1 dB(A)

Συνολικές τιμές κραδασμών (δυναμικό άθροισμα τριών αξόνων) κατά EN 50636-2-100

Κραδασμοί (a_h) 3,0 m/s², αβεβαιότητα (K) 1,8 m/s²

Δήλωση συμμόρφωσης ΕΚ

ΟΔΗΓΙΑ ΠΕΡΙ ΜΗΧΑΝΗΜΑΤΩΝ
ΟΔΗΓΙΑ ΓΙΑ ΘΟΡΥΒΟΥΣ ΣΕ ΕΞΩΤΕΡΙΚΟΥΣ ΧΩΡΟΥΣ



BEBLV290, BEBLV300 - Φυσικήρας/αναρροφητήρας
Η Black & Decker δηλώνει ότι τα προϊόντα αυτά που περιγράφονται στα

"τεχνικά χαρακτηριστικά" συμμορφώνονται με τα ακόλουθα:
2006/42/EK, EN60335-1:2012+A11:2014,
EN50636-2-100:2014

2000/14/EK, Φυσικήρας/Αναρροφητήρας, Παράρτημα V
DEKRA Quality B.V., Utrechtseweg 310, 6802 ED Arnhem,
Ολλανδία Αρ. ID Διακοινωνιμένου Οργανισμού: 0344
Στάθμη ηχητικής ισχύος σύμφωνα με 2000/14/EK
(Άρθρο 13, Παράρτημα III):

Στάθμη ηχητικής ισχύος: L_{WA}: 102,5 dB(A), K=1,1 dB(A)

Εγγυημένη στάθμη ηχητικής ισχύος: L_{WA}: 104 dB(A)

Αυτά τα προϊόντα συμμορφώνονται και με την Οδηγία 2014/30/ΕΕ και 2011/65/ΕΕ. Για περισσότερες πληροφορίες, επικοινωνήστε με την Black & Decker στην παρακάτω διεύθυνση ή ανατρέξτε στο πίσω μέρος του εγχειριδίου.

Ο κάτωθι υπογεγραμμένος είναι υπεύθυνος για την κατάρτιση του τεχνικού φακέλου και κάνει αυτή τη δήλωση για λογαριασμό της Black & Decker.

Patrick Diepenbach

Patrick Diepenbach
Γενικός Διευθυντής, Μπενελούξ
Black and Decker,
Egide Walschaertsstraat 14-18
2800 Mechelen, Belgium (Βέλγιο)
24/11/2021

Εγγύηση

Η Black & Decker είναι σίγουρη για την ποιότητα των προϊόντων της και προσφέρει στους καταναλωτές εγγύηση 24 μηνών από την ημερομηνία αγοράς. Αυτή η εγγύηση συμπληρώνει και με κανένα τρόπο δεν παραβιάζει τα νόμιμα δικαιώματά σας. Η εγγύηση ισχύει εντός της επικράτειας των χωρών μελών της Ευρωπαϊκής Ένωσης και της Ευρωπαϊκής Ζώνης Ελεύθερων Συναλλαγών.

Για να υποβάλετε αξίωση βάσει της εγγύησης, η αξίωση θα πρέπει να είναι σύμφωνη με τους Όρους και προϋποθέσεις της Black&Decker και θα χρειαστεί να υποβάλετε απόδειξη αγοράς στον πωλητή ή σε εξουσιοδοτημένο αντιπρόσωπο σέρβις.

Μπορείτε να αποκτήσετε τους Όρους και προϋποθέσεις της εγγύησης 2 ετών της Black&Decker και να μάθετε την τοποθεσία του πλησιέστερου εξουσιοδοτημένου αντιπροσώπου σέρβις στο Internet στο www.2helpU.com, ή επικοινωνώντας με το τοπικό σας γραφείο Black & Decker στη διεύθυνση που υποδεικνύεται στο παρόν εγχειρίδιο.

Παρακαλούμε επισκεφθείτε την ιστοσελίδα μας www.blackanddecker.gr για να καταχωρίσετε το νέο σας προϊόν Black & Decker και για να ενημερώνεστε για τα νέα προϊόντα και τις ειδικές προσφορές.

België/Belgique/Luxembourg www.blackanddecker.be enduser.be@sbdinc.com	Stanley Black & Decker Belgium BVBA Egide Walschaertsstraat 16 2800 Mechelen	Tel. NL +32 15 47 37 65 Tel. FR +32 15 47 37 66 Fax. +32 15 47 37 99
Danmark	Black & Decker Roskildevej 22 2620 Albertslund	kundeservice.dk@sbdinc.com www.blackanddecker.dk
Deutschland www.blackanddecker.de infobfge@sbdinc.com	Stanley Black & Decker Deutschland GmbH Black & Decker Str. 40, D - 65510 Idstein	Tel. 06126 21-0 Fax 06126 21-2980
Ελλάδα www.blackanddecker.gr greece.service@sbdinc.com	Stanley Black & Decker (ΕΛΛΑΣ) Ε.Π.Ε ΓΡΑΦΕΙΑ: Στράβωνος 7 & Βουλιαγμένης 166 74 Γλυφάδα - Αθήνα	Τηλ. 210-8981616 Φαξ 210-8983570
SERVICE:	Ημερος Τόπος 2 -Χάνι Αδάμ 193 00 Ασπρόπυργος - Αθήνα	Τηλ. Service 210-8985208 Φαξ 210-5597598
España www.blackanddecker.es respuesta.posventa@sbdinc.co	Stanley Black & Decker Ibérica, S.C.A. Parc de Negocis "Mas Blau" Edificio Muntadas, c/Bergadà, 1, Of. A6 08820 El Prat de Llobregat (Barcelona)	Tel. 934 797 400 Fax 934 797 419
France www.blackanddecker.fr	Black & Decker (France) S.A.S. 5 allée des Hêtres B.P. 30084 69579 Limonest Cédex	Tel. 04 72 20 39 20 Fax 04 72 20 39 00
Helvetia www.blackanddecker.ch service@rofoag.ch	ROFO AG Gewerbezone Seeblick 3213 Kleinbödingen	Tel. 026-6749393 Fax 026-6749394
Italia www.blackanddecker.it service.italia@sbdinc.com	Stanley Black & Decker Italia Via Energy park 6 20871 Vimercate (MB)	Tel. 039-9590200 Fax 039-9590313 Numero verde 800-213935
Nederland www.blackanddecker.nl enduser.nl@sbdinc.com	Stanley Black & Decker Netherlands BV Holtum Noordweg 35, 6121 RE BORN Postbus 83, 6120 AB BORN	Tel. +31 164 283 065 Fax +31 164 283 200
Norge	Black & Decker Postboks 4613, Nydalen 0405 Oslo	kundeservice.no@sbdinc.com www.blackanddecker.no
Österreich www.blackanddecker.at service.austria@sbdinc.com	Stanley Black & Decker Austria GmbH Oberlaaerstraße 248, A-1230 Wien	Tel. 01 66116-0 Fax 01 66116-614
Portugal www.blackanddecker.pt resposta.posvenda@sbdinc.com	Black & Decker Limited SARL Quinta da Fonte - Edifício Q55 D. Diniz Rua dos Malhões, 2 e 2A - Piso 2 Esquerdo 2770 - 071 Paço de Arcos	Tel. 214667500 Fax 214667580
Suomi	Black & Decker PL47 00521, Helsinki	asiakaspalvelu.fi@sbdinc.com www.blackanddecker.fi
Sverige	Black & Decker AB Box 94, 431 22 Mölndal	kundserservice.se@sbdinc.com www.blackanddecker.se
Türkiye www.blackanddecker.com.tr	KALE Hirdavat ve Makina A.Ş. Defterdar Mah. Savaklar Cad. No:15 Edirnekapı / Eyüp / İstanbul 34050	Tel. 0212 533 52 55 Fax. 0212 533 10 05
United Kingdom & Republic Of Ireland www.blackanddecker.co.uk emeaservice@sbdinc.com	Black & Decker 210 Bath Road Slough, Berkshire SL1 4DX	Tel. 01753 511234 Fax 01753 512365
Middle East & Africa www.blackanddecker.ae service.me@sbdinc.com	Black & Decker P.O.Box - 17164 Jebel Ali Free Zone (South), Dubai, UAE	Tel. +971 4 8863030 Fax +971 4 8863333